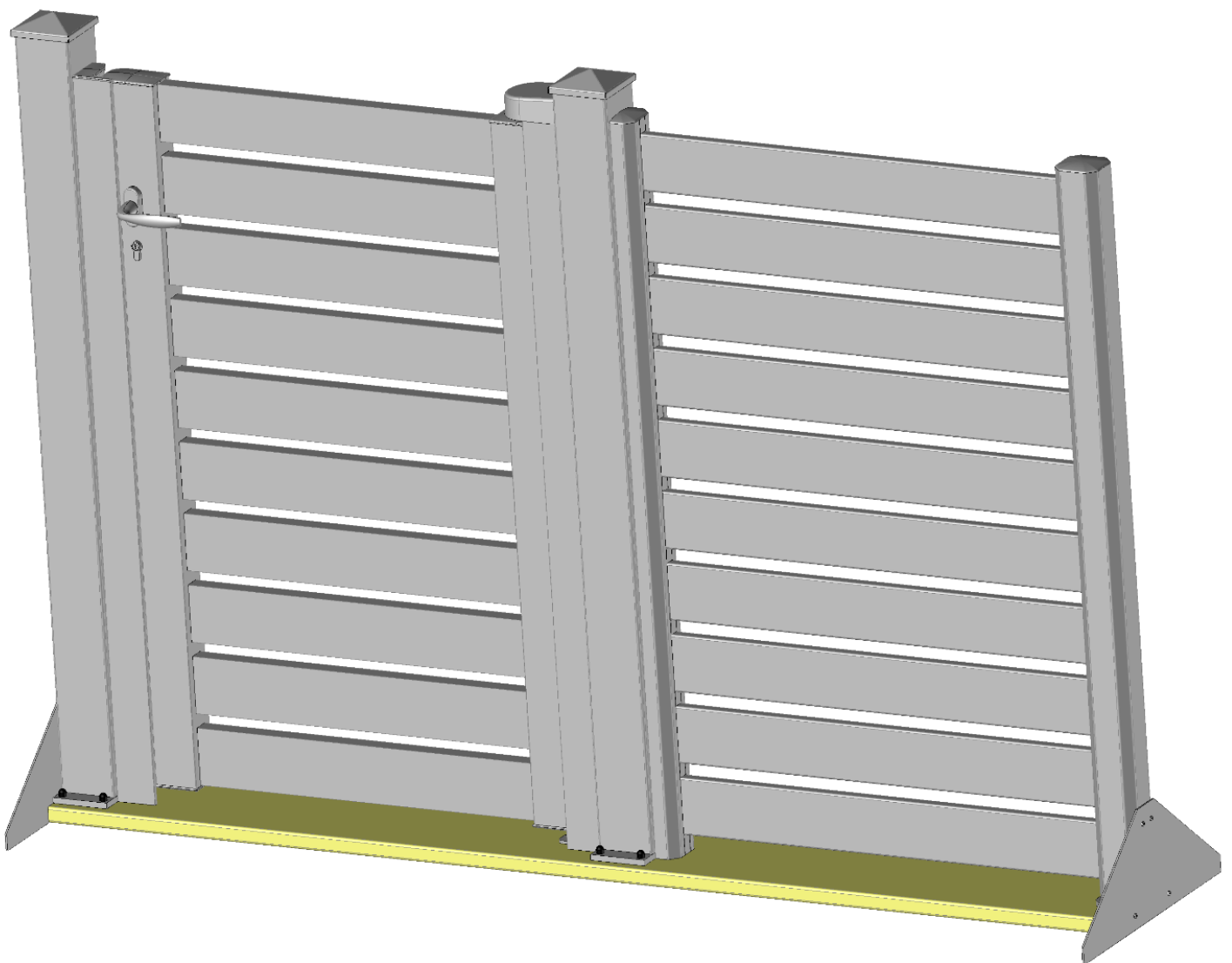


Manual N° 9827

03/23

INSTALLATION

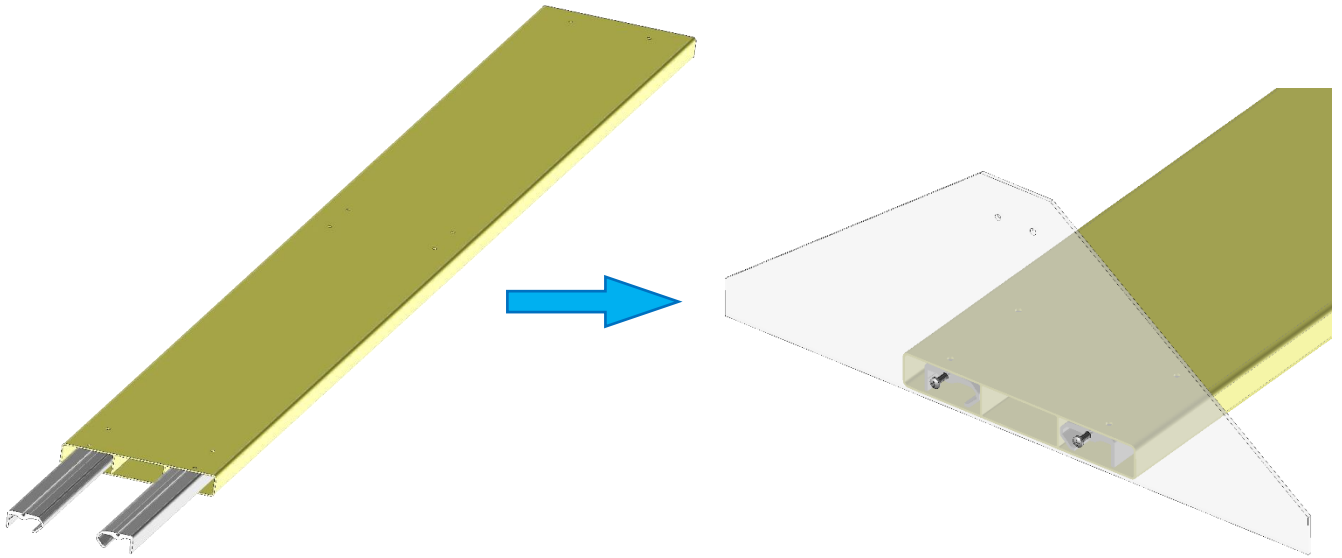
Point-of-sale advertising



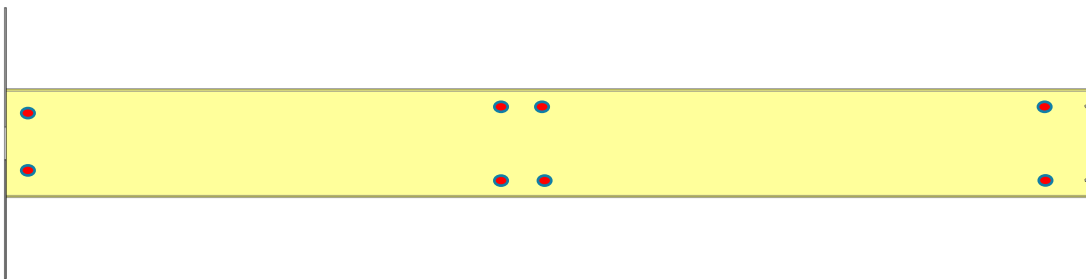
(Installers use only)

On Levelled Ground

1. Insert the 2 reinforcements blades into the slats, then screw the 2 bases foot with $\varnothing 4,2$ mm screws :

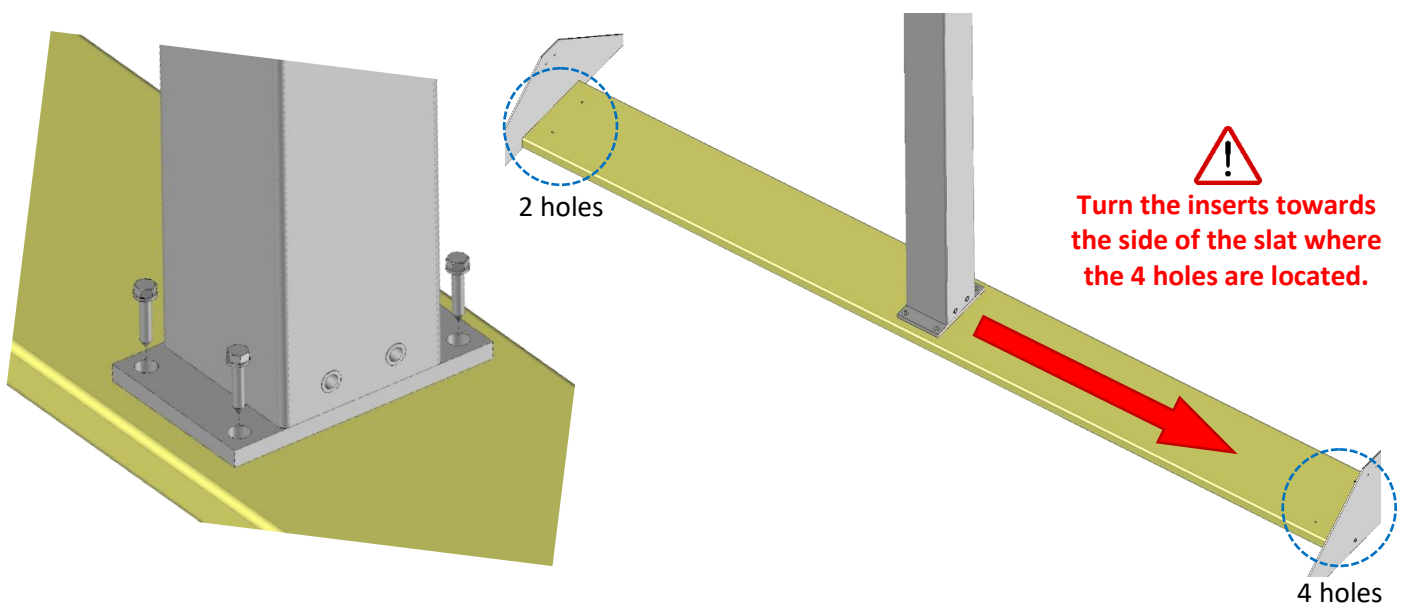


2. Counter-drill bores diameter 5,5 mm, the slat and reinforcements (2 holes out of 10 are not reachable) :



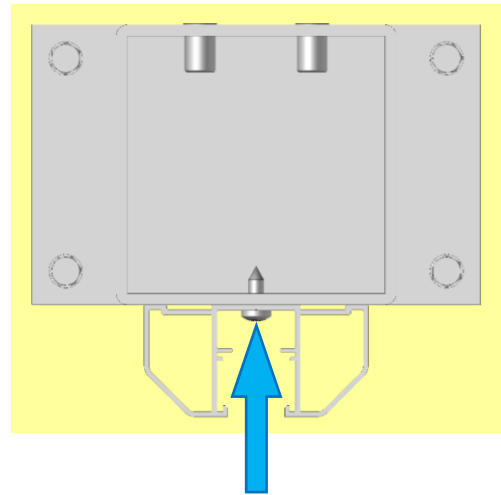
Central Post

Screw the post middle of the slat and in the holes formerly drilled. Use 4 screws $\varnothing 6,3$ mm plus washers.



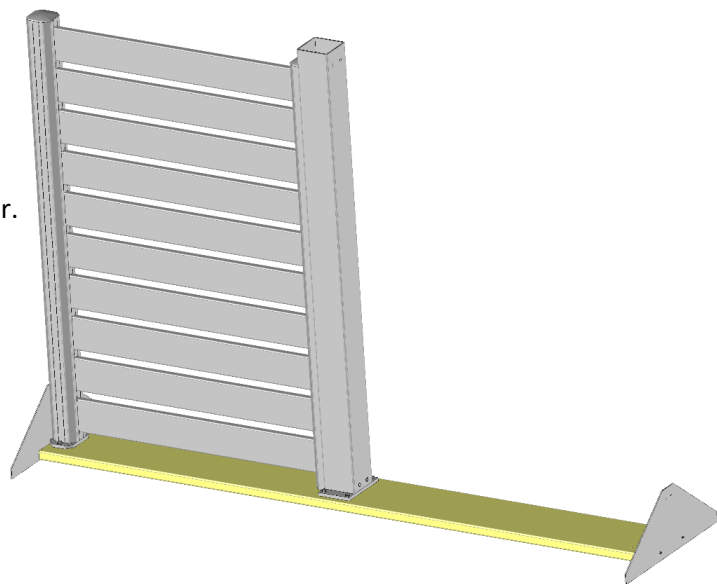
Fence Half Post

Opposite side of the inserts, on the non-drilled face, position the half-post right in the middle and drill this assembly 5 mm diameter hole. Then screw the 4 screws $\varnothing 5,5$ mm.



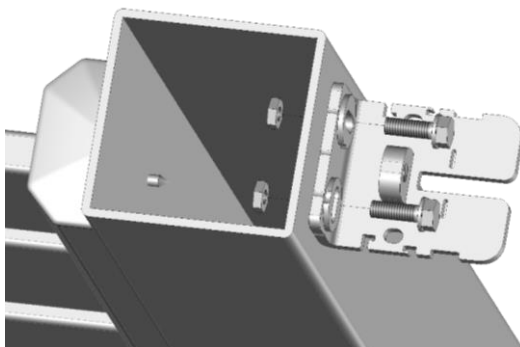
CREATIV Fence

Follow the steps described into the manual of installation included into your order.

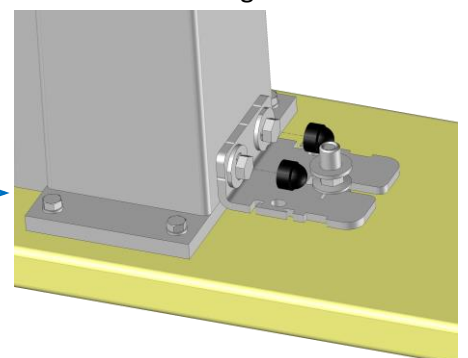
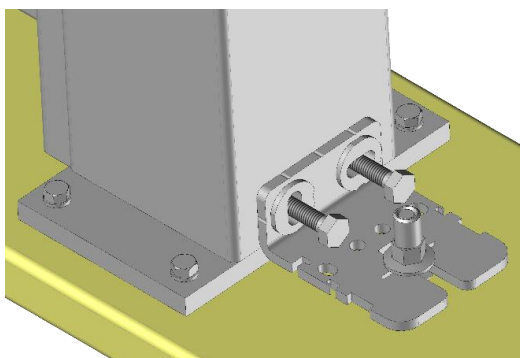


Bottom and Top Hinges

Assemble the hinges on the central post.

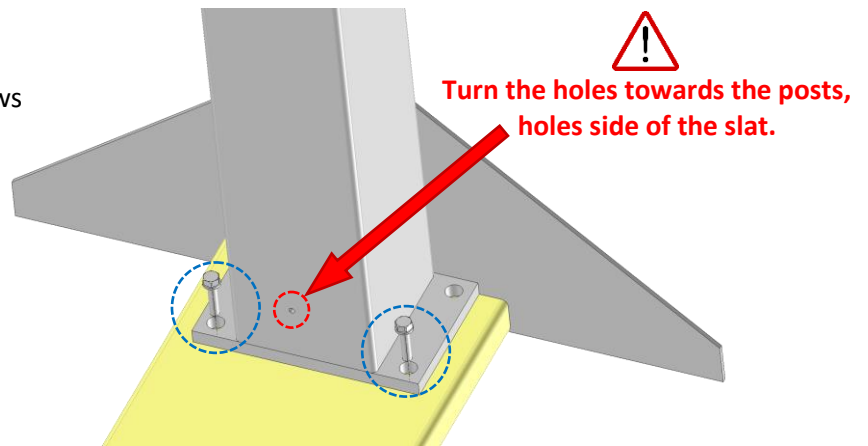


Then, install the 2 nut covers on the bottom hinge

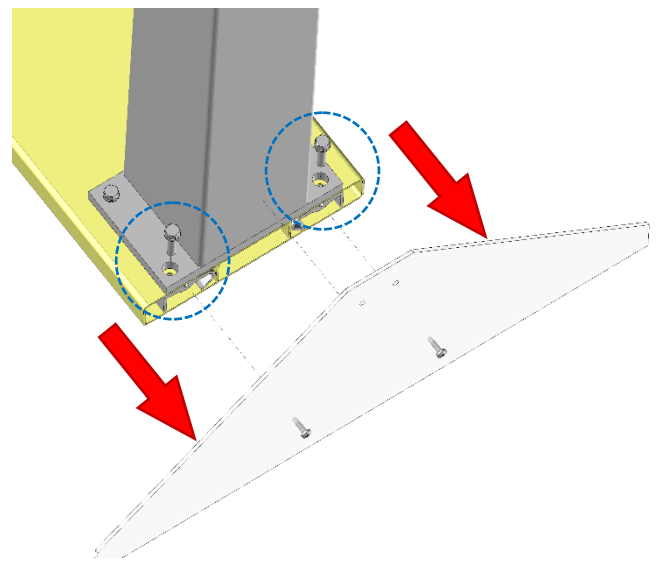


Second Post

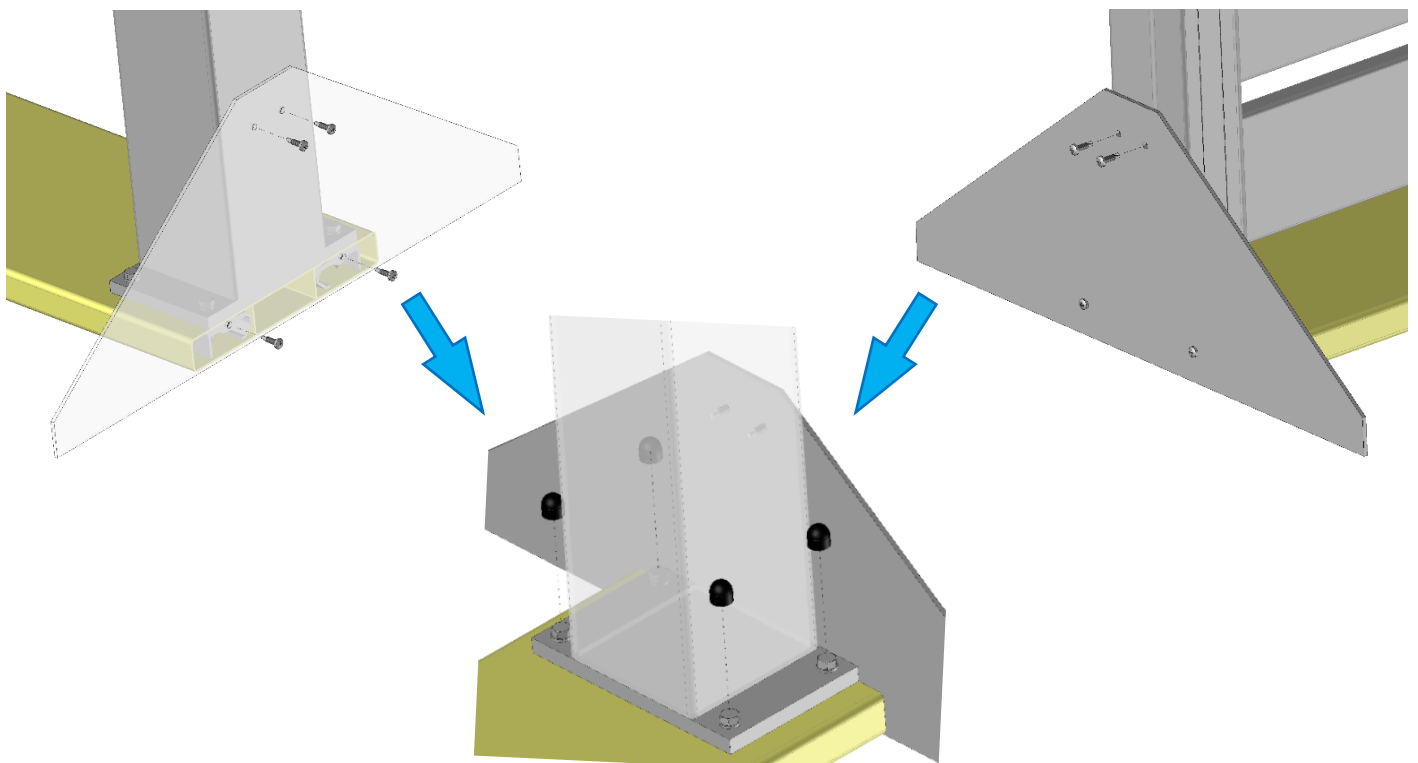
1. Place the second post against the base (visible bottom holes) and screw with 2 screws $\text{\O}6,3$ mm + washers.



2. Unscrew the base and counter drill the slat + reinforcements 5,5 mm diameter. Then screw the post with the 2 screws $\text{\O}6,3$ mm + washers.

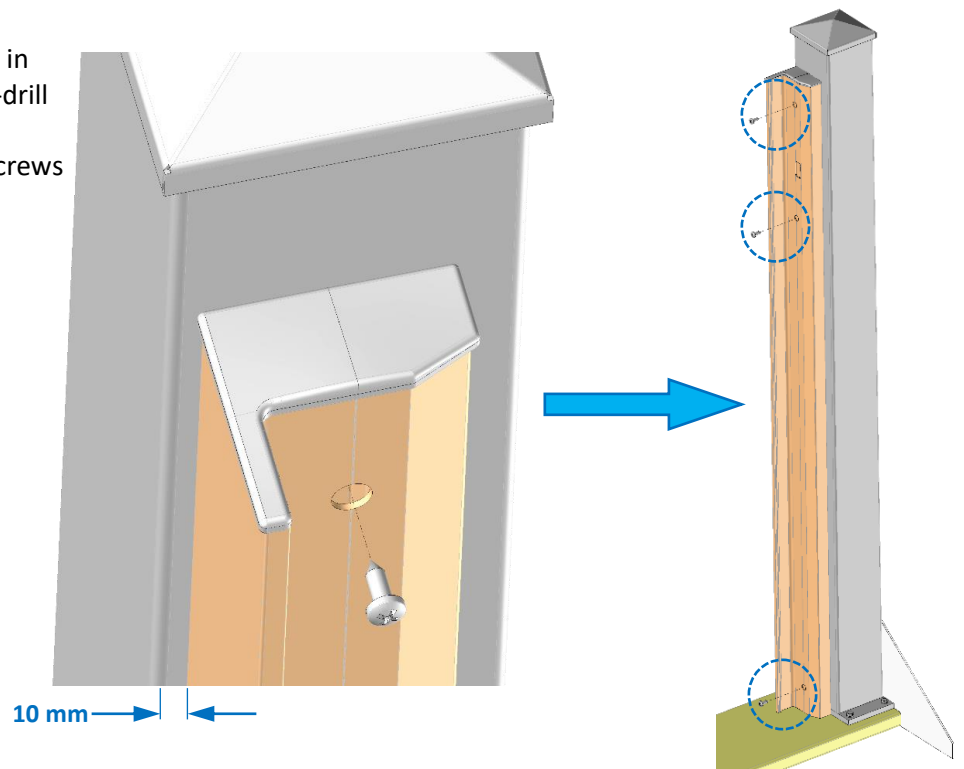


3. Retighten the base permanently and screw the 2 legs with self-drilling $\text{\O}4,2$ mm. Install the 10 nuts covers onto the $\text{\O}6,3$ mm screw heads.



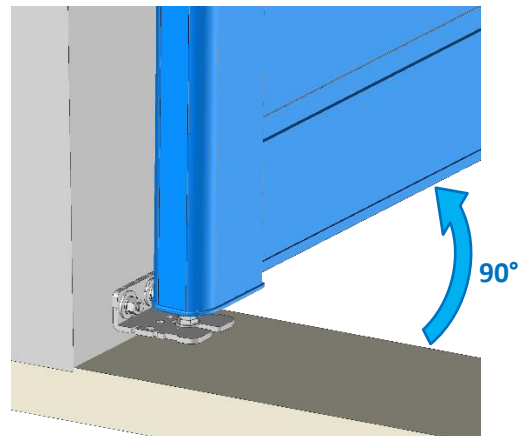
Gate Stop

On the same post, position the gate stop in line with the post's drillings and counter-drill 5 mm holes.
Screw the gate stop with the 3 tapping screws $\varnothing 5,5$ mm.

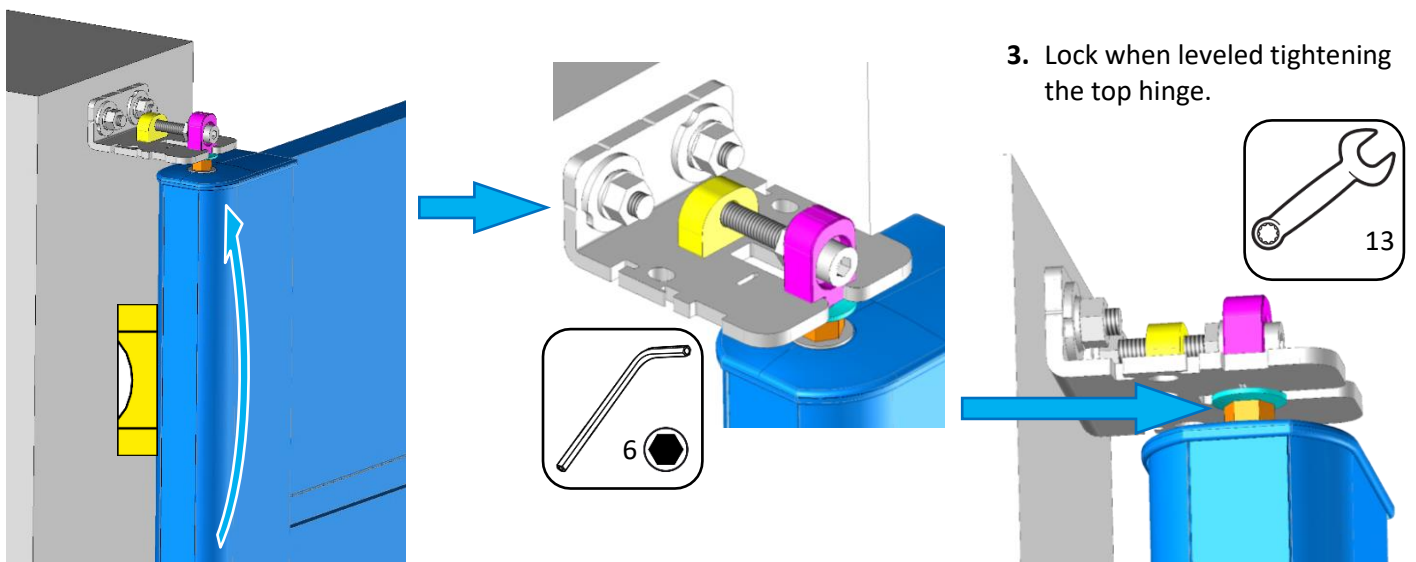


Pedestrian Gate

1. Place the pedestrian gate opened at 90° onto the bottom hinge axis.



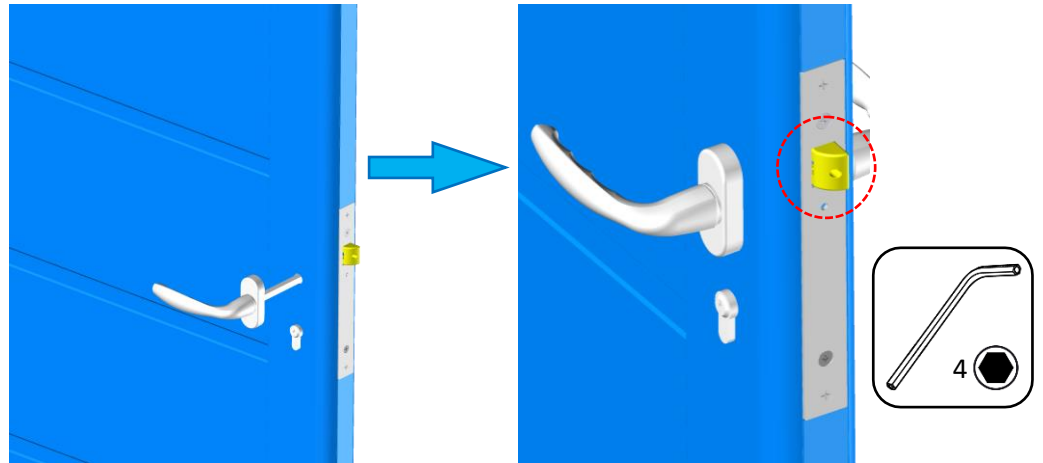
2. Tilt the pedestrian gate towards the post and place the screw into the guide.
Screw until the pedestrian gate is leveled.



Handle/Lock

Install the handle and the lock.

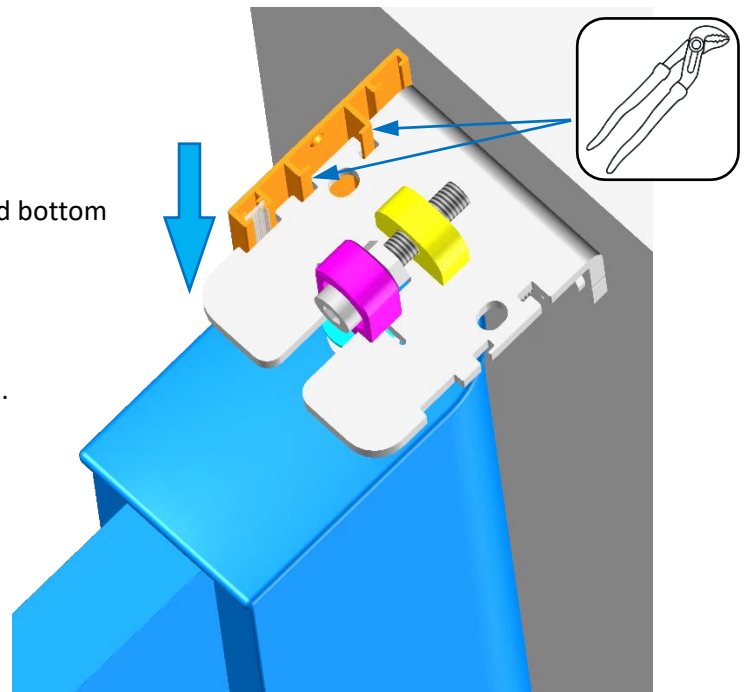
Nota : The latch can be turned and is adjustable in depth.



Finishing Profile

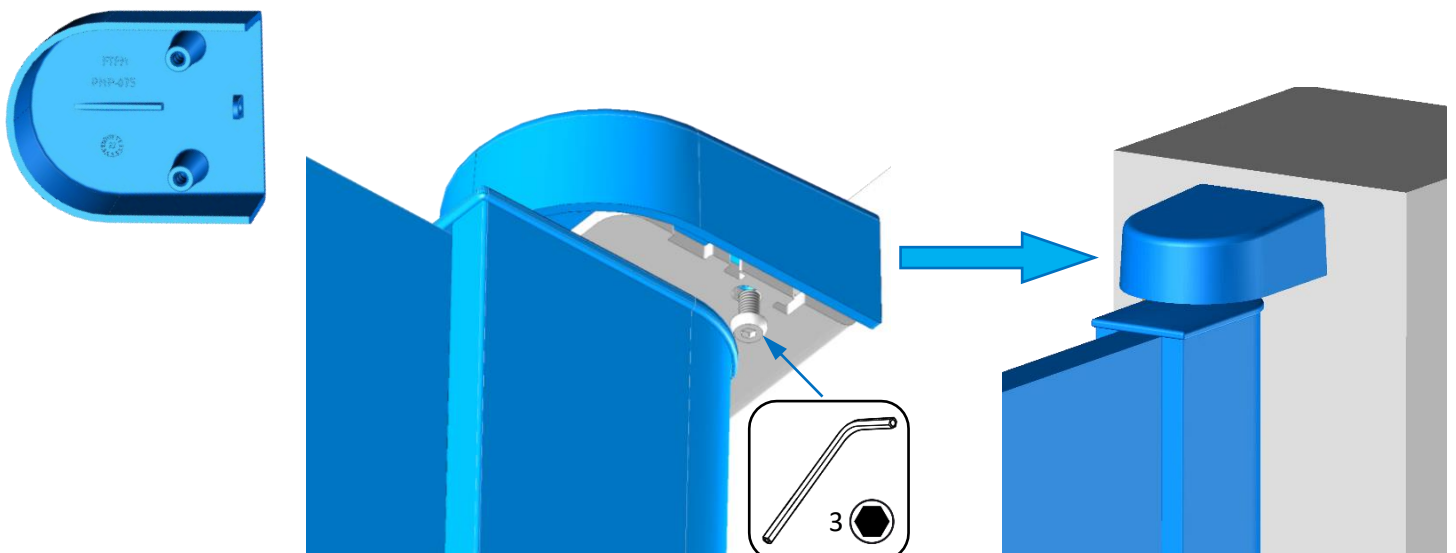
1. Slide the finishing profile into the notches of the top and bottom hinges until it flushes the slat.

2. Lock permanently distorting slightly the finishing profile.



Top Hinge Cover

Screw the top hinge cover using the supplied M6x10 screw.



Post Lid

Screw the 2 post lids onto the posts using the $\varnothing 4,2$ mm screws.

