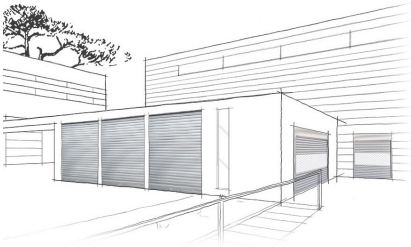


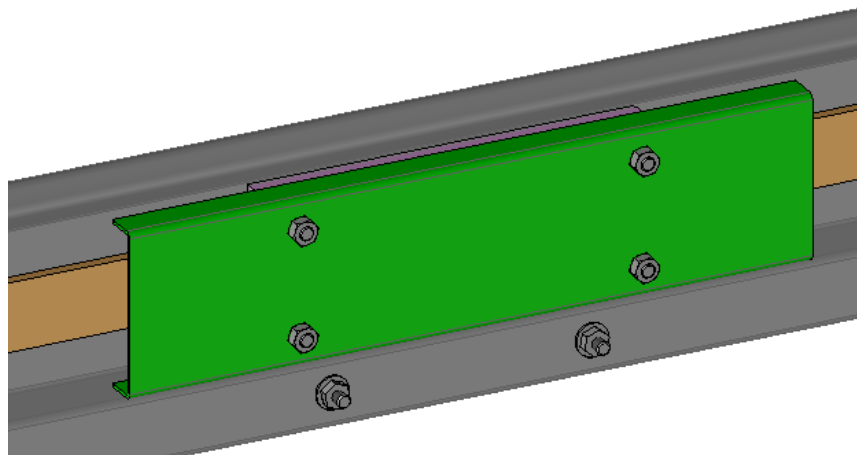
Manual : N° 1406

INSTALLATION

Murax Vision Shutters R2



*V.A.K safety
pump lock*



(Document reserved for installers)

Please note : The VAK safety pump lock is **to be assembled on site**.



Keep and deliver to the end customer "The Ownership Card", on which are written the codes that allow the keys to be reproduced. (Without this card, reproduction of the keys is impossible).

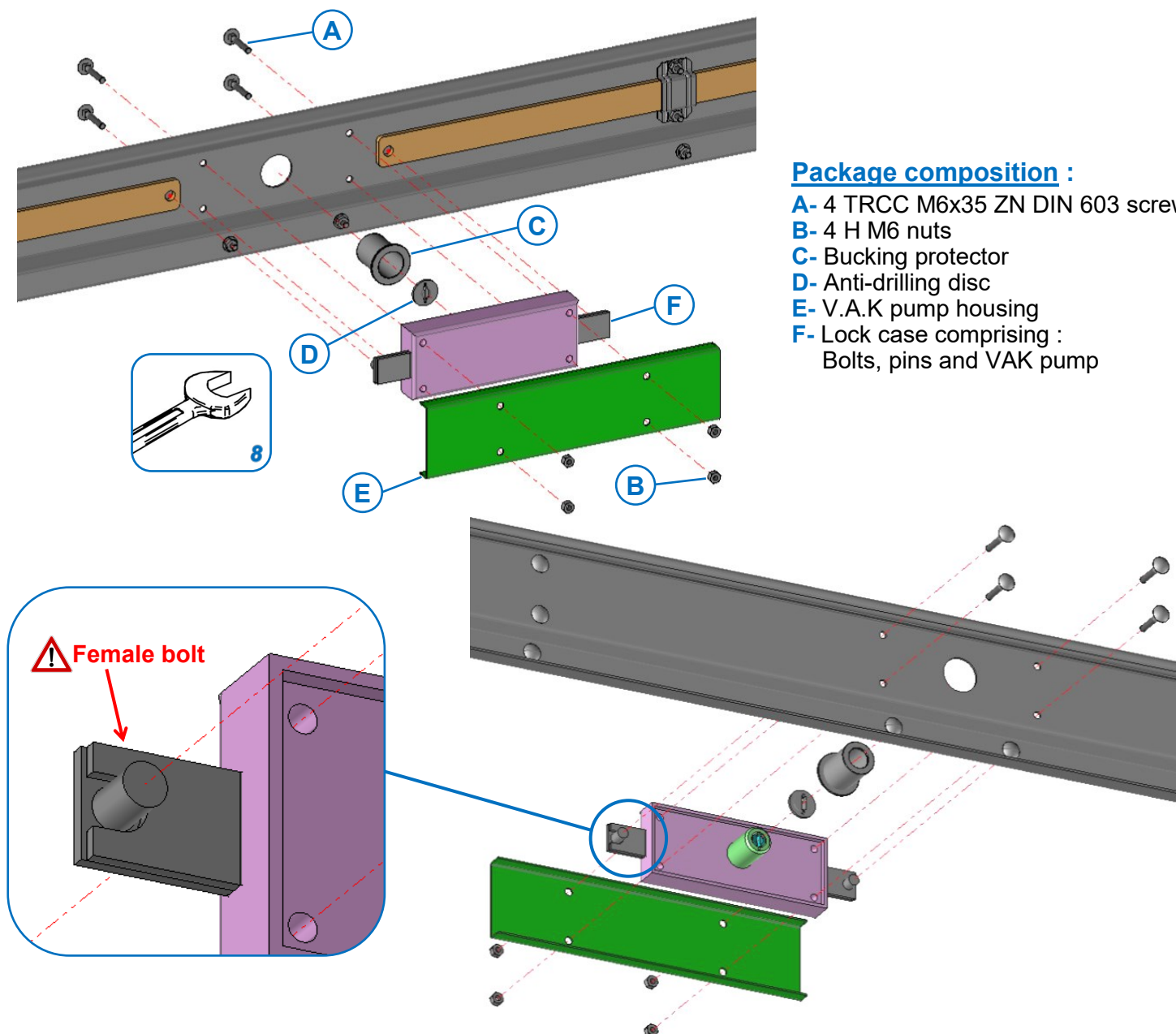
Info : The lock is delivered with **4 keys**.

Lock assembly

Please note : The end-slat is delivered with the lock rods and the guide rods assembled.

- 1 Position the lock on the end-slat ;
Align the lock pins in the holes of the rods.

! In the direction of the lock, position the female bolt, right inside view.



Package composition :

- A- 4 TRCC M6x35 ZN DIN 603 screws
- B- 4 H M6 nuts
- C- Bushing protector
- D- Anti-drilling disc
- E- V.A.K pump housing
- F- Lock case comprising :
Bolts, pins and VAK pump

- 2 Fasten the whole with the screw kit, included in the lock package.

Dimensions

