

Maintenance booklet and removal manual

N°2105

05/16

**Murax P110 Shutter,
Vision and Dentel Grille**
fitted with an anti-fall guard

Axial operator 2 and 3



(Document reserved for users)

Maintenance and inspection booklet

Intervention frequencies

Operating mode	Number of visits per year	Maximum number of cycles between visit
Hold to run	1	2500
Mixed	2	2500
Pulse		
Automatic		

Site address :

Status and name of the fence element :

Maintenance check points (see enclosed maintenance booklet)



**Clean the shutter regularly with clear water.
The use of detergent may degrade the color or gloss of the coating.**

A/ SHUTTER

- **Checking the shutter fasteners on the axis :**
 - . Condition of the shutter fasteners.
 - . Screw condition and tightening.
 - . Condition and anchoring of captive nuts.
- **Checking vertical slat alignment.**
- **Checking the condition of the slats and joints (shocks/dirt, etc.).**
- **Checking the condition of the links and hooks (Murax Vision).**
- **Use a glass cleaner with a lint-free cloth (micro fiber) to clean the links without scratching them (Murax Vision).**
- **Checking the condition of the staples and tubes (Dentel Grille).**
- **Checking side clearances.**
- **Function check of the lock :**
 - . Condition of the lock and linkage.
 - . Check the free passage of the guiding rails in the slide holes and in the wall (if inter-wall installation).

B/ AXIS

- **Checking the fastening of the axis on the plates :**
 - . Check the condition and tightness of the axis/support bolts.
 - . Check the fastening of the support (shell) to the plate.
 - . Screw condition and tightening.
- **Condition of the coils (bearing cages) and lubrication.**
- **Check the compensation status (shutter over or under compensated).**
- **Spring condition (tensioned, shutter closed) and lubrication.**
- **Check the welds on the curved profiles.**
- **Check the fastening of the operator to the axis.**
- **Check the fastening of the operator to the curved profile.**
- **Check the operator screws (ring gear, limit switch, electro-brake) and tighten.**
- **In the event that the anti-fall guard is triggered due to mechanical failure, the axis and its anti-fall guard must absolutely be replaced.**

C/ GUIDING RAILS AND PLATES

- **Checking the guiding rail fasteners on the framing.**
- **Checking the plate fasteners on the framing.**
- **Checking the condition of the guiding rails and plates** (internal clearances, no unevenness).
- **Clean the inside of the guiding rails and plates.**
- **Extensive lubrication of the inside of the guiding rails and plates.**
(White grease for Murax Vision).
- **Check the guiding rail/plate connection** (no unevenness).
- **Check invitation settings.**
- **Check invitation settings** (perpendicular to the header and parallel to each other).

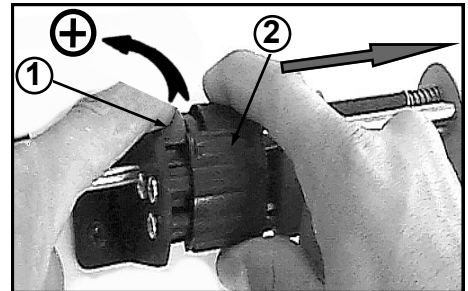
D/ ELECTRIFICATION

- **Check the value of the supply voltage.**
- **Check the state of the electrical wiring and its protection** (circuit breaker).
- **Check the electrical operation of the operator.**
- **Check the setting and function of the limit switches.**
- **Check the function of the safety microswitches on the lock** (if installed).
- **Check the access and operation of the power circuit breaker**
(it must be located near the shutter).
- **Check the current consumption and during operation and the operation of the thermal operator projection circuit breaker.**

Removal instructions

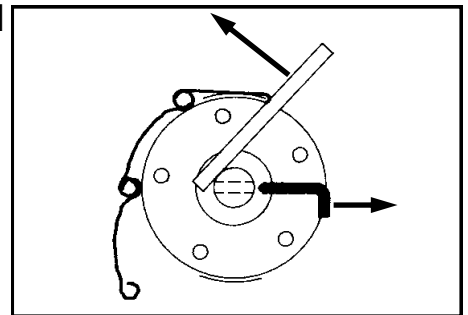
1 - Remove the slide stops from the shutter.


2 - Electrically raise the shutter and manually remove the final blade from the guiding rails. To do this, pull the black blocker ② to the right and turn the knob ① following the arrow to slightly increase the high limit switch.



3 - Lower the shutter completely out of the guiding rails.

4 - Pin the spring coils by pushing the shutter forward with a bar.



 Do not disassemble the shutter until the pins are in their place.

5 - Disconnect the operator and controls.

6 - Remove the shutter completely.

7 - Remove the screws holding the axis.

8 - Remove the axis.

9 - Disassemble the guiding rails.

