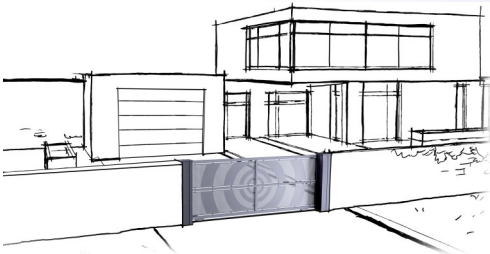


# Manual : N° 7394

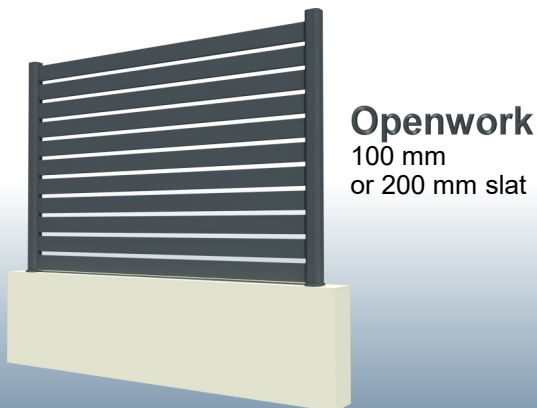
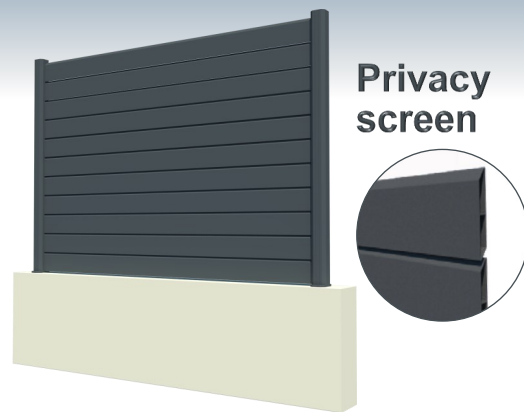
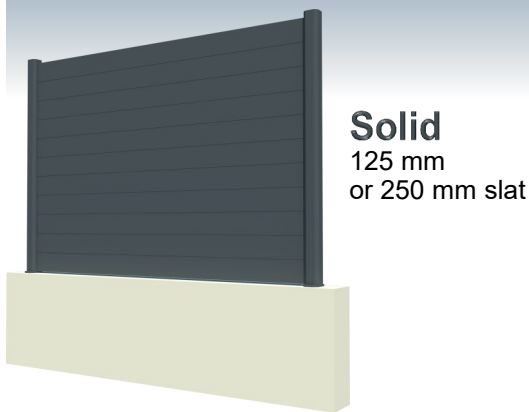
# INSTALLATION

## *Fence element kit*



# CREATIV

### The models


































(Document reserved for installers)

# Contents

Required equipment .....	p.2
Installation instructions .....	p.3
Elements provided .....	p.4 to p.9
- Posts : Dimensions .....	p.4
- Posts : Description .....	p.5
- Different types of slats .....	p.6
- Fastening options .....	p.7
Installation .....	p.9 to p.15
- 1 <sup>st</sup> post .....	p.9
- Center .....	p.10
- Assembling .....	p.11
- "Slat type" fence elements .....	p.12
- "Metal sheet or wood type" infills .....	p.13
Annex .....	p.16 to p.17

## Required equipment

		Type of installation		
		Sealing core	Bearing plate	Sealing post
Cordex 	Perforator With drill bit 			
Tape meter 	Level 			
Chemical seal 	Electric screwdriver with end-pieces 			
BTR wrenches + Flat wrenches 	Screws adapted to the support			
	Portable aluminum special saw 			
Bell Ø100 				
Bell Ø40 				

# Installation instructions



## **WARNING !**

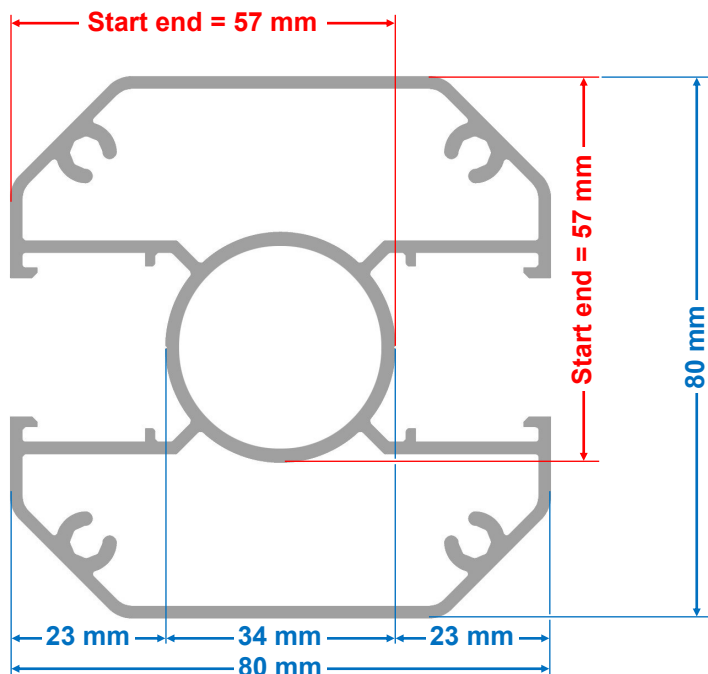
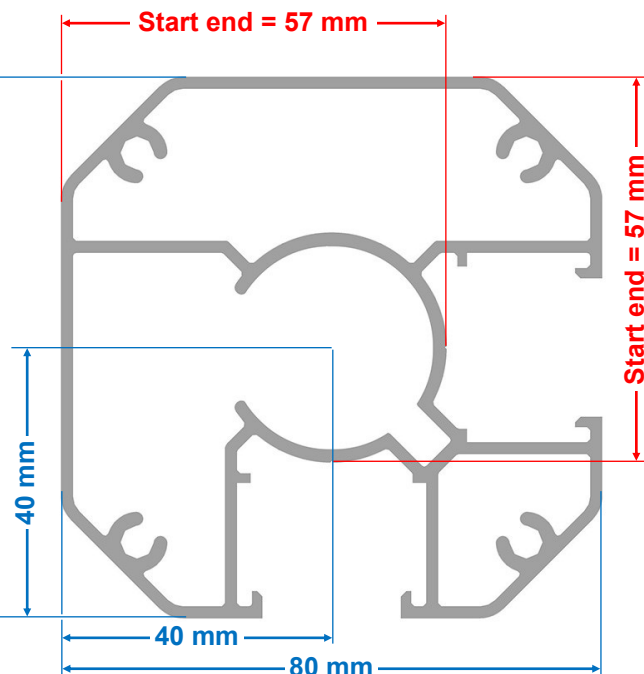
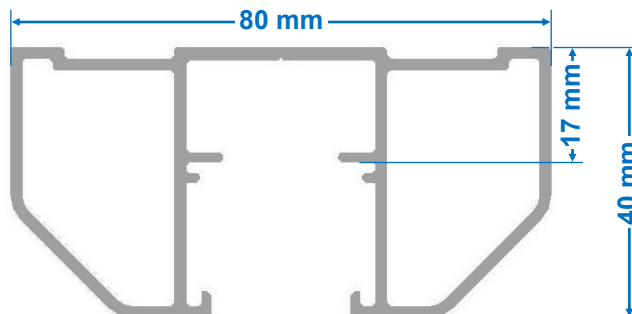
To ensure that this product is assembled,  
used and maintained in complete safety,  
It is important to follow the instructions provided in this document.  
For everyone's safety,  
observe the following precautionary measures.



- \* Before beginning the assembly, read this manual carefully.
- \* This fence element must be installed by a professional technician.
- \* All the parts delivered are specifically sized for this product.  
Adding and/or using other parts may be detrimental to safety and may affect the product's warranty.
- \* Any modification or improvement of this fence element must be compliant with the standard EN 13241 + A2.  
In this case, a "modification/transformation" file must be created by the installer as per the standard EN 12635 annex C.
- \* This work must be carried out in accordance with the safety instructions.  
Use the appropriate tools to install these products.
- \* Ensure that the assembly area is clear, clean and clearly marked out.
- \* Ensure that no other people are present at the assembly site apart from the installers.  
Non-authorized persons (children for example !) who are present at the site risk injury during assembly.
- \* All the components of this fence element must be installed in compliance with the installation instructions provided in this manual.
- \* All the requirements of the standards EN 13241 + A2 must be met and verified if necessary.

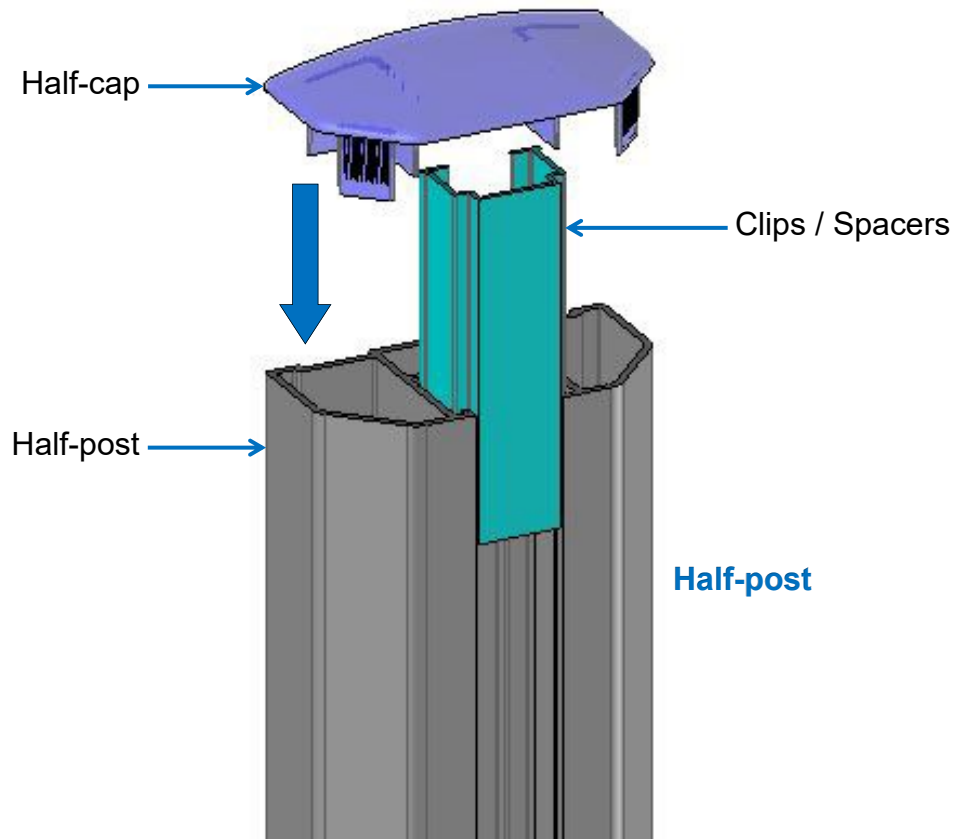
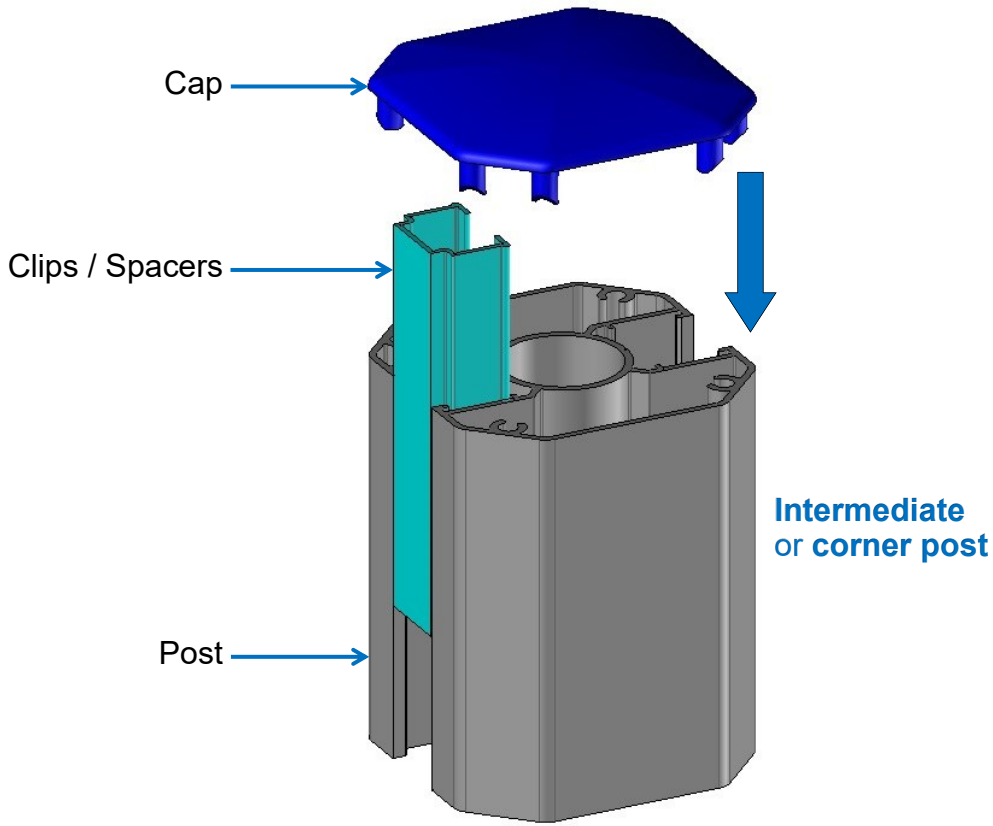
# Elements provided

## Posts : Dimensions

**Intermediate post**

**Corner post**

**Half-post**


Name	Description	Length	Type of installation			
			Bearing plate	Sealing post	Sealing core	Against a wall
Intermediate post	Post 80x80 2 grooves at 180°	1095 mm	✓	✓	✓	
		1595 mm		✓	✓	
		2345 mm		✓		
Corner post	Post 80x80 2 grooves at 90°	1095 mm	✓	✓	✓	
		1595 mm		✓	✓	
		2345 mm		✓		
Half-post	Post 80x40 1 groove	1095 mm	✗		✗	✓
		1595 mm	✗		✗	✓
		2045 mm	✗		✗	✓

# Posts : Description

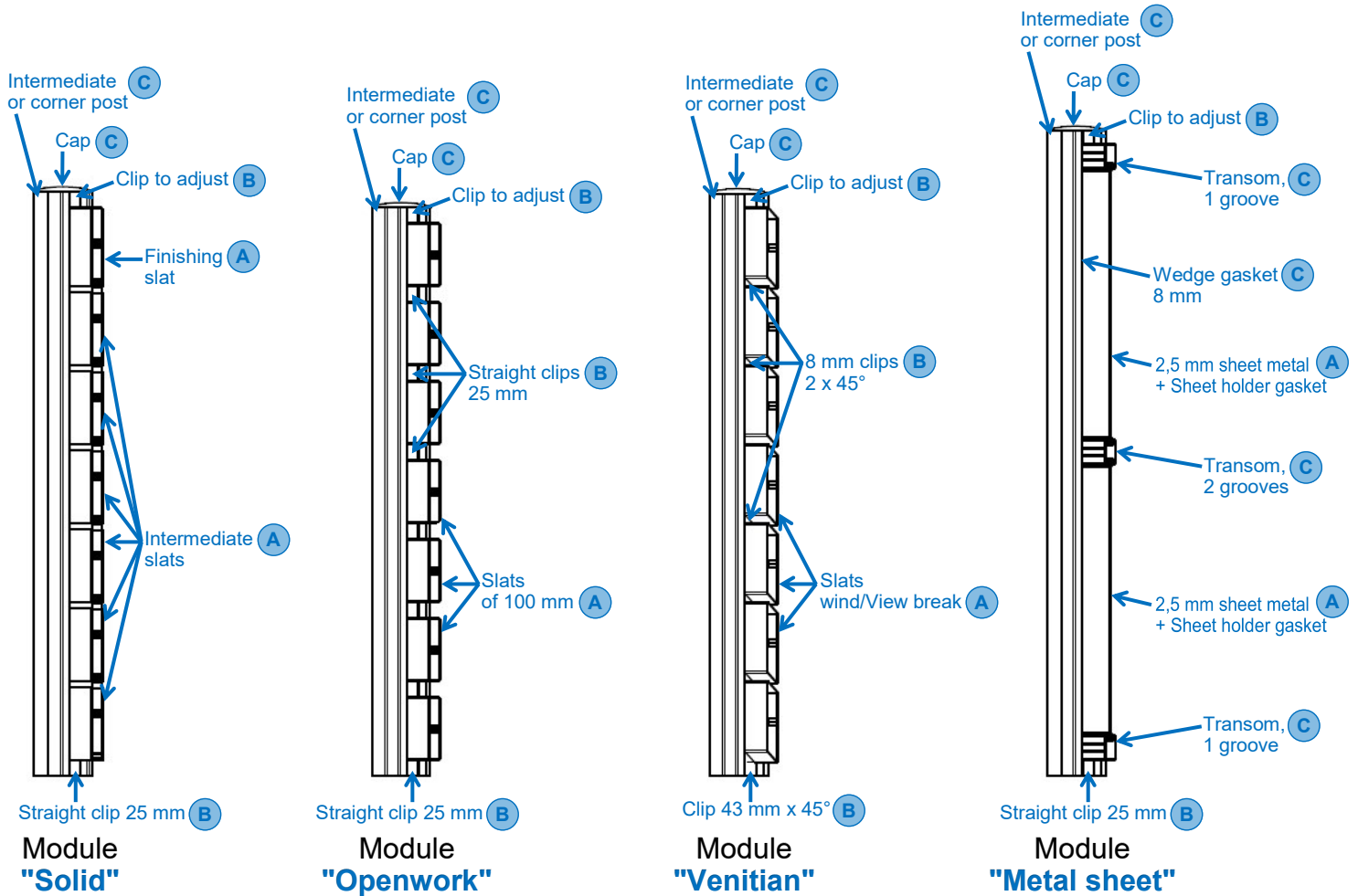


## Different types of slats

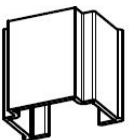
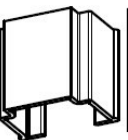
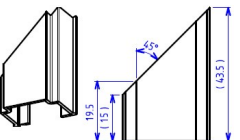
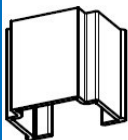

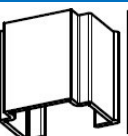
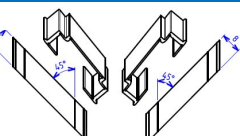

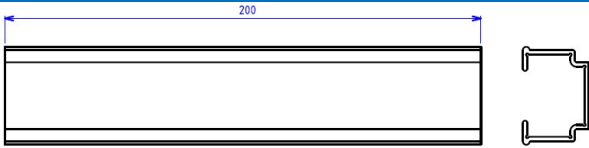
### A Slat

### B Spacer

### C Profile and accessory

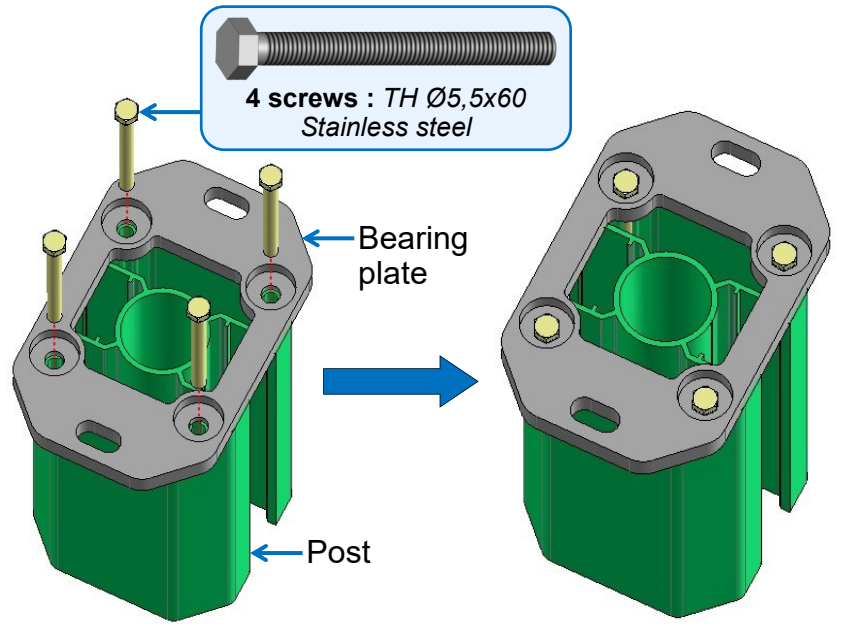
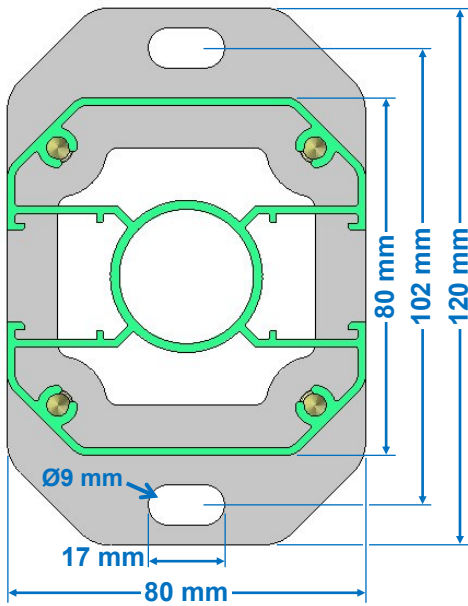


### Types of slats

Clips	Solid	Openwork	Venitian	Metal sheet
Start				
Reference	ACX-002	ACX-002	ACX-005 + ACX-006	ACX-002
Intermediate				
Reference		ACX-002	ACX-003 + ACX-004	
End/Finishing (to be cut)				
Reference	ACX-007			
Comments	<p><b>X : Varies according to color</b>  <b>Example : Starter clip solid slats → Color RAL 9016 (white) = Reference AC1-002</b></p>			

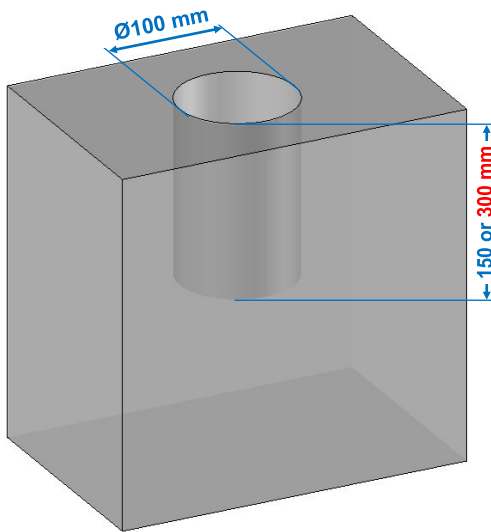
## Fastening options

### • Bearing plate :



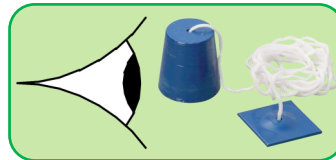
Secure the bearing plate to the post with the screws supplied. (When installing on the support, the post must be plumbed).

### • Post to be sealed :

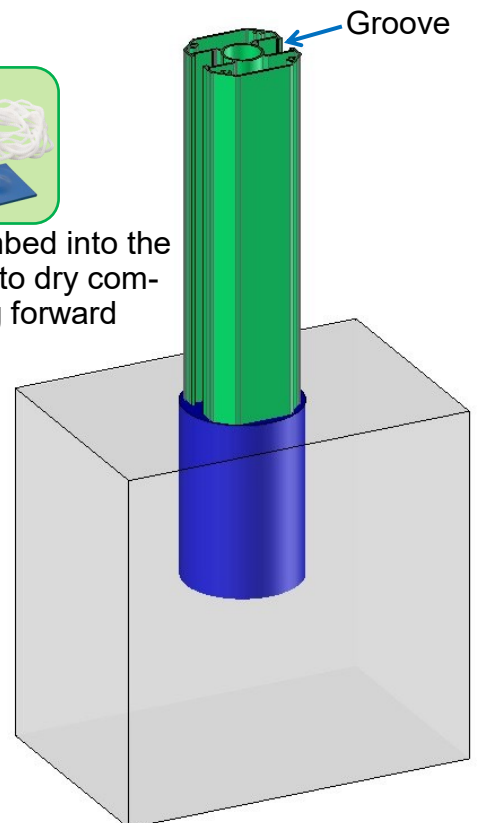


Drill a hole Ø100 mm, 150 mm deep into the concrete.

**Please note :** If drilled media is softer than concrete, depth will be increased to 300 mm.

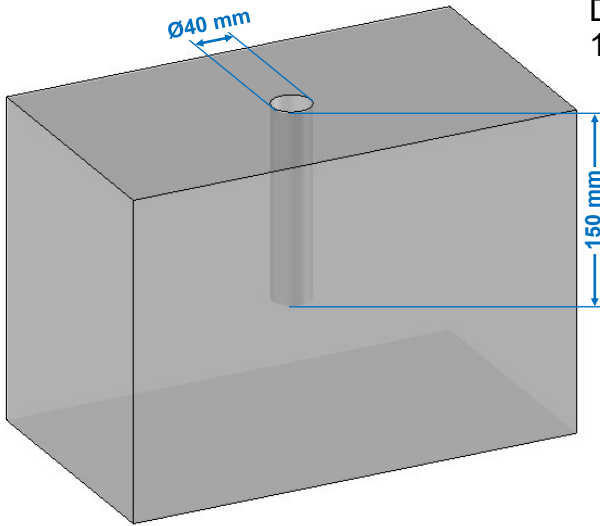


Place the post plumbed into the concrete and allow to dry completely before going forward with the installation.

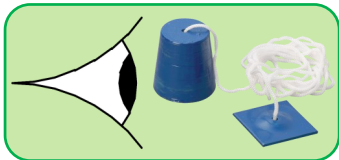


**Please note :** Place a slat profile into the post groove to ensure future alignment between posts.

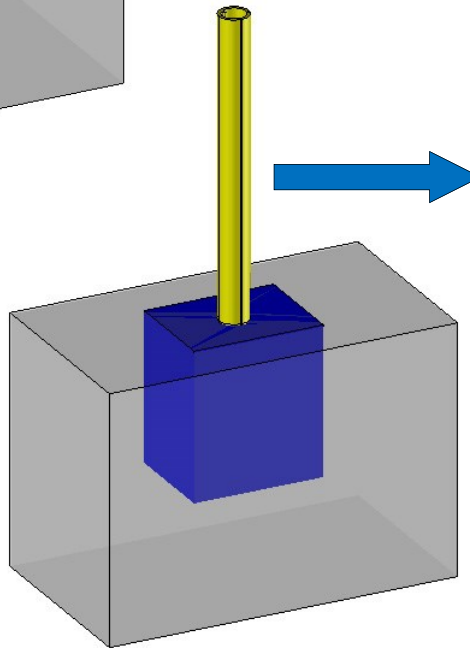
• **Core to be sealed :**



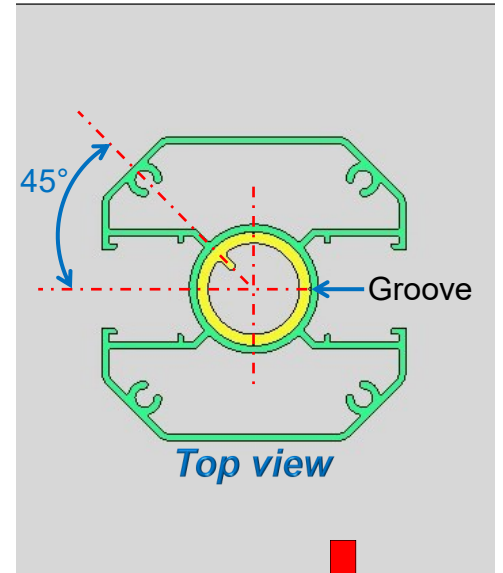
Drill a hole Ø40 mm,  
150 mm deep into the concrete.



Set the core plumb into the concrete and allow to dry completely before to go forward with the installation.

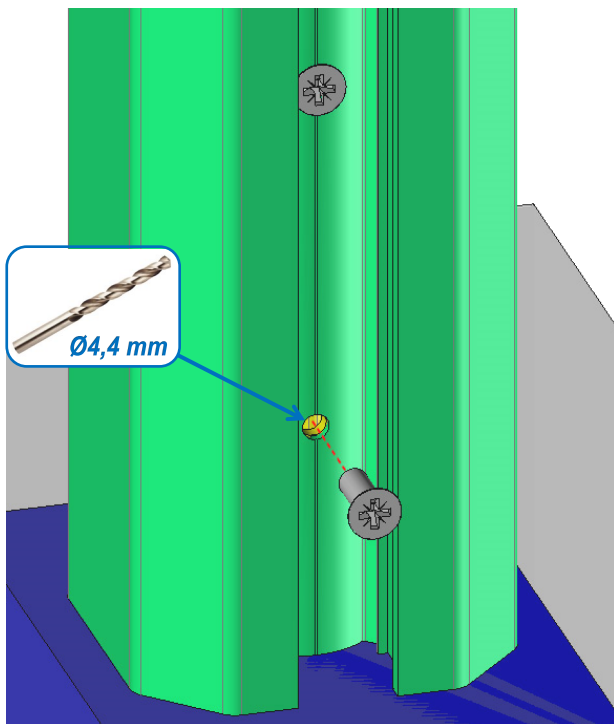
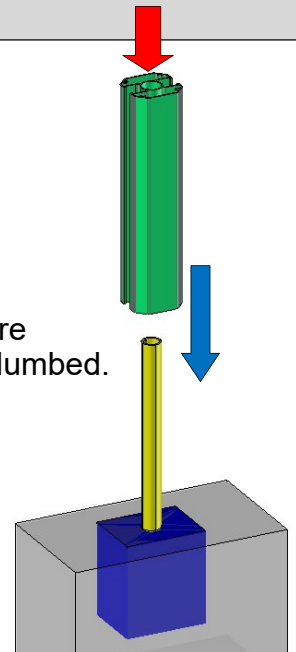
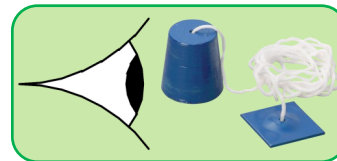


**!** Align the core grooves and check that the tab is at 45° (see figure more below)



**Please note :**

Slide a post onto the core to make sure it is well plumb.



After posts installation, check they are well plumb.  
Drill both post and core (see drawing).  
Check for post/core good lock up :

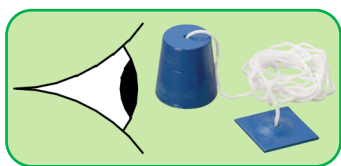


**2 screws : TFC M5x16  
Self-forming (supplied)**

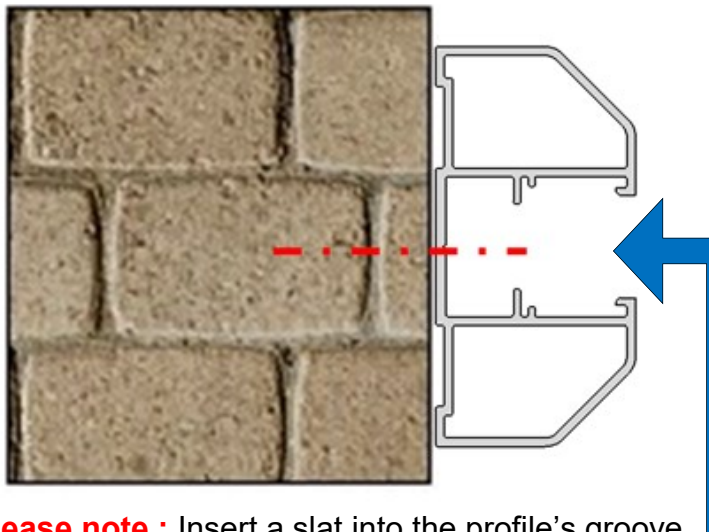
**Please note :** For a perfect installation, make sure screw head flushes post wall.



• **Against a wall** : Half-post



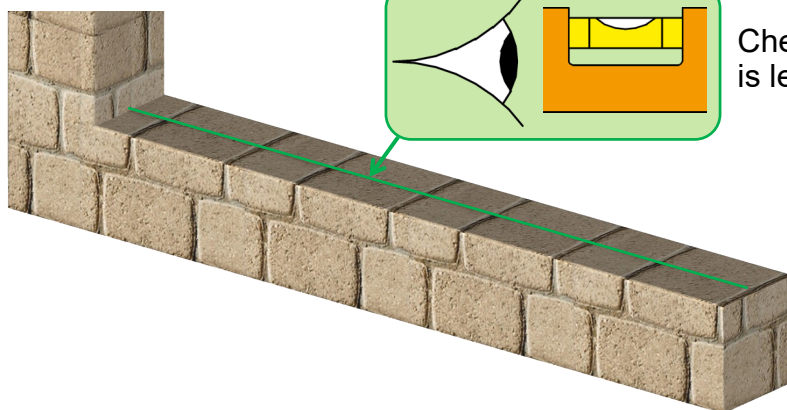
Fix the half-post plumbed to the wall. Use 3 screws minimum (screws not supplied), use screws suitable with the media).



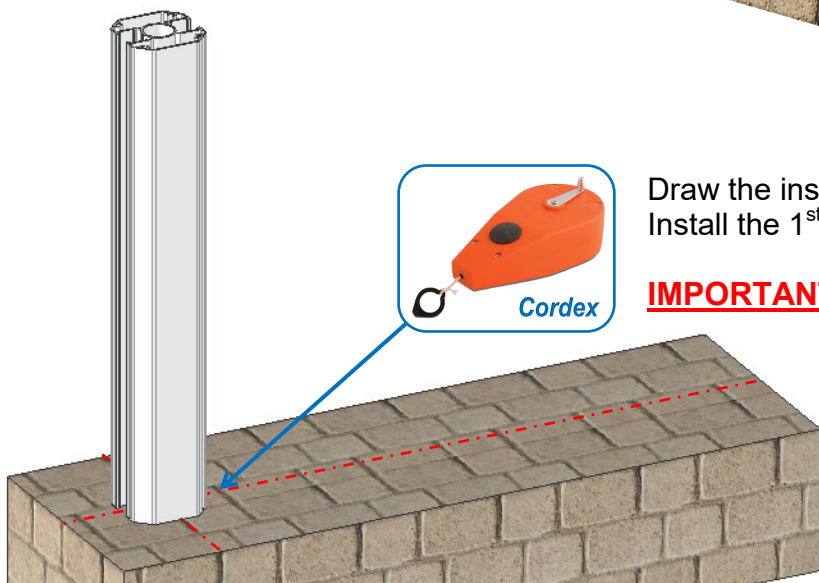
**Please note** : Insert a slat into the profile's groove (see figure) and thereby make sure posts are aligned.

## Installation

### 1<sup>st</sup> post



Check that the surface is levelled.

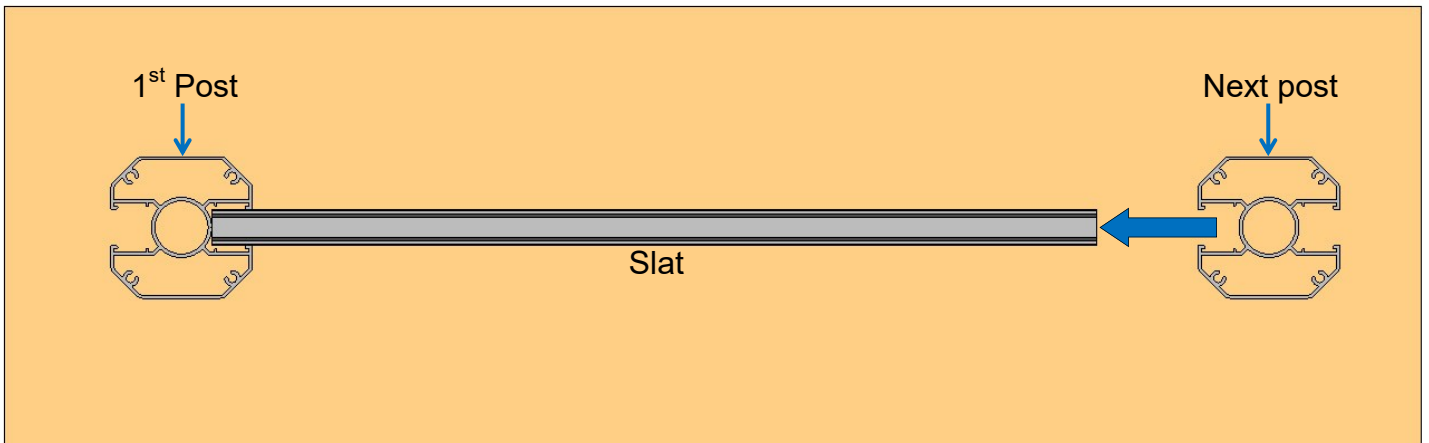


Draw the installation line with Cordex. Install the 1<sup>st</sup> post according to the type of fastening chosen.

**IMPORTANT** : Check that the line drawn is square to the post (see figure).

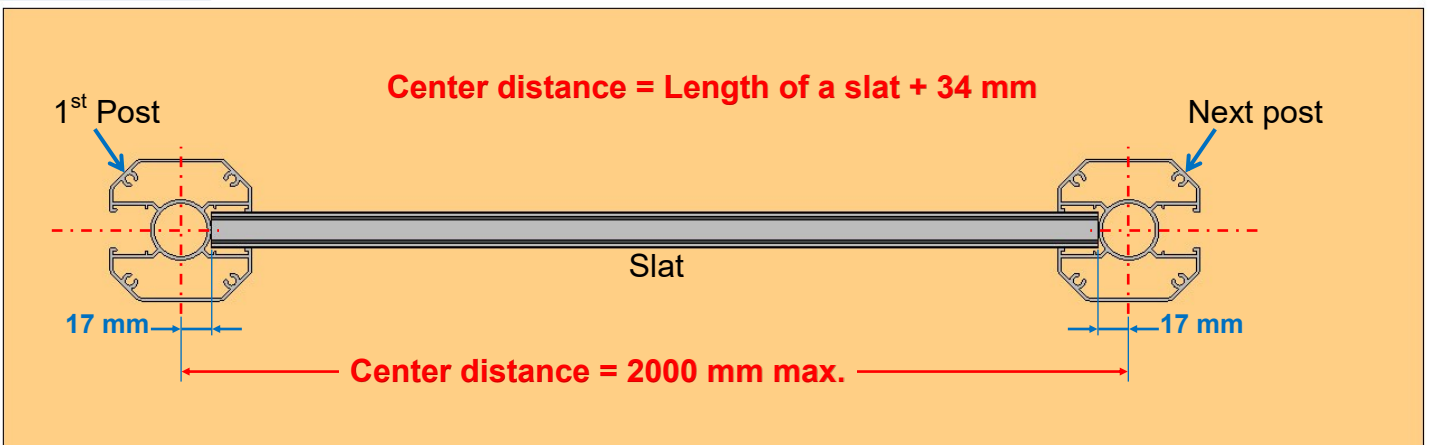
## Center

### 1<sup>st</sup> Solution



Place a slat into the groove of the yet installed post and position the other post accordingly.

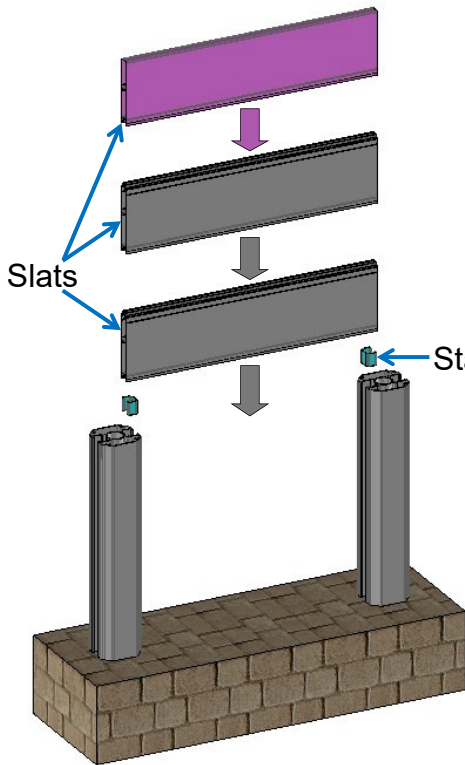
### 2<sup>nd</sup> Solution



**Measure the center distance (see figure above) :**

Length of standard slats (slats, transoms, etc.) = 1966 mm,  
so the center distance = 2000 mm (+34 mm).

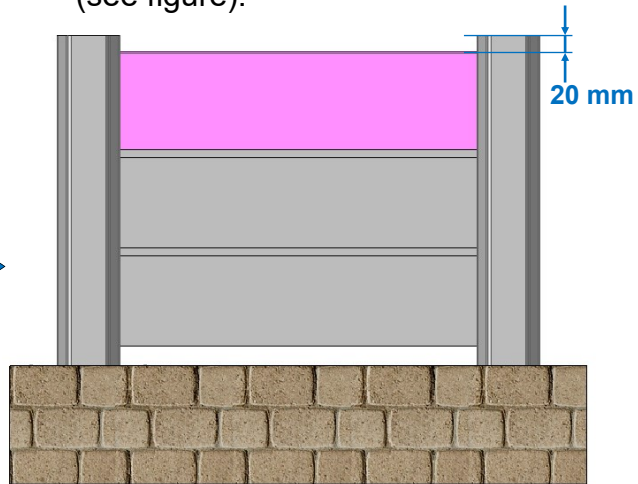
# Assembling



## Installation of the first slat :

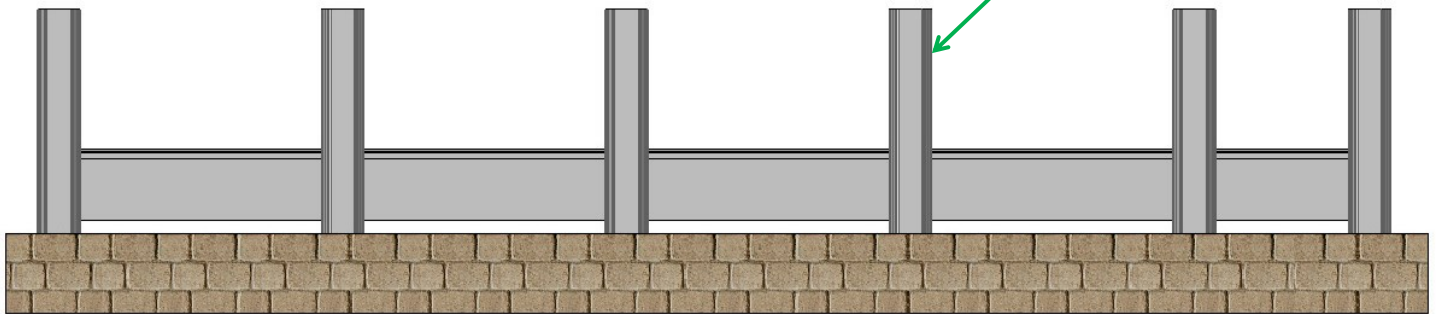
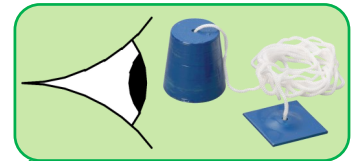
Slide the starter clips into the grooves of the posts and then the slat.

**IMPORTANT :** Respect the dimension between the top of the top slat and the top of the post. If necessary, adjust the height of the post (see figure).

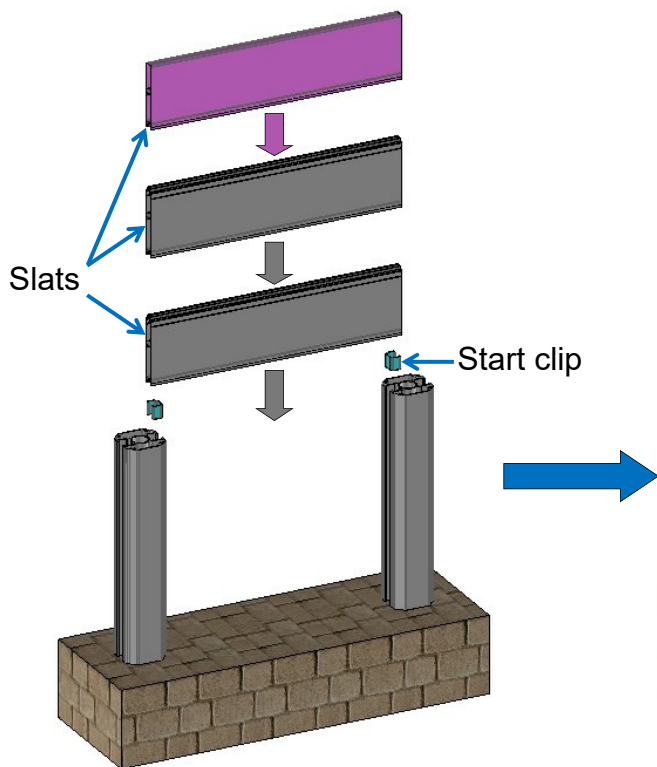


**Installation of the next post :** as explained more above repeat the same sequence of actions up to the last post of the fence.

**Please note :** The slats of the last module can be cut to the desired length, as shown below.



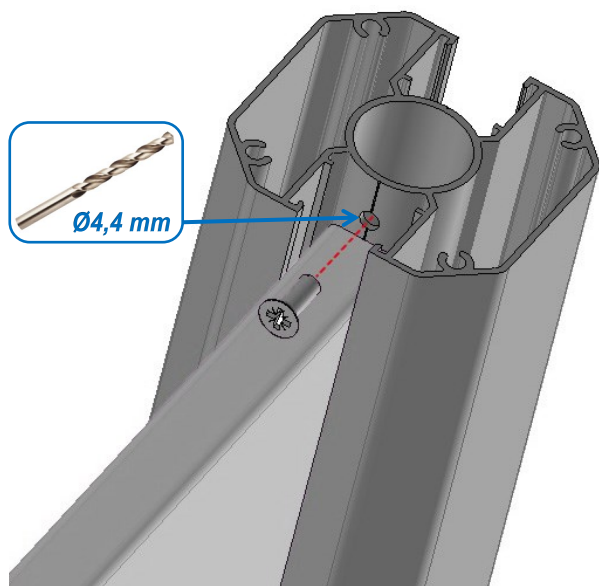
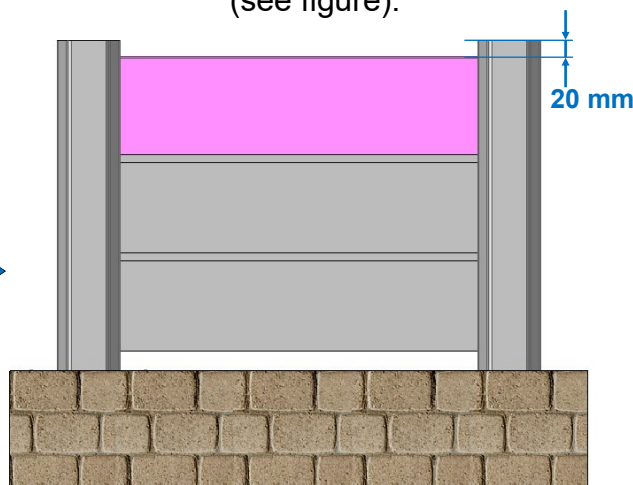
## "Slat type" fence elements



### Installing fence element modules :

Slide the starter clip into the grooves of the posts and then slide the slats.

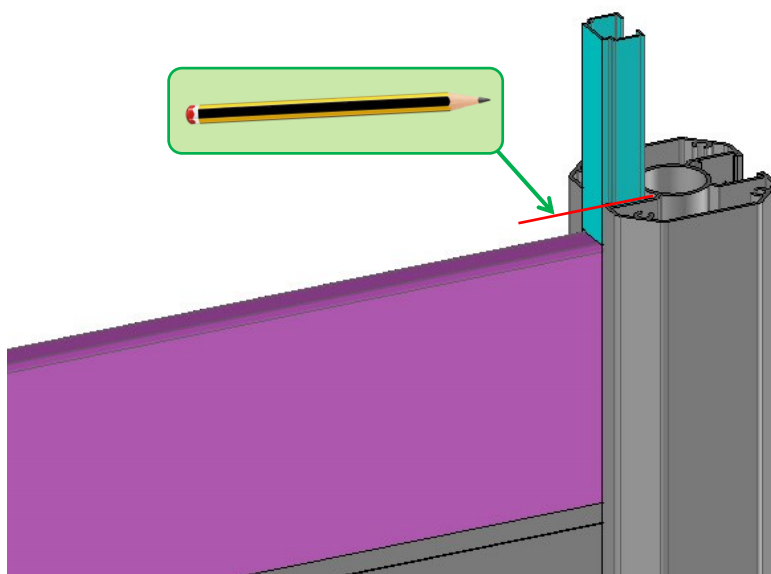
**IMPORTANT :** Respect the dimension between the top of the top slat and the top of the post (see figure).



### Lock all slats modules :

Drill the post (and the core, if fitted with a core) right above the last slat.

Lock the slats in translation with :



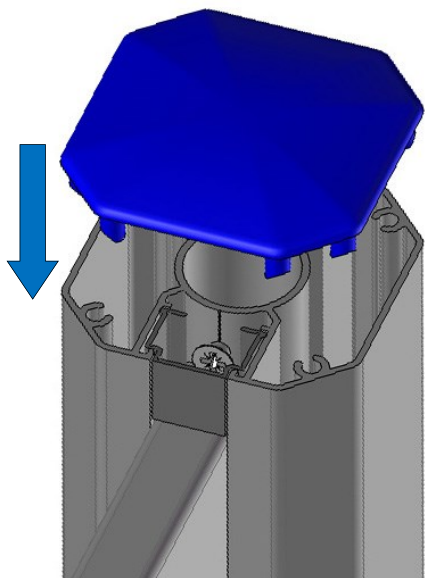
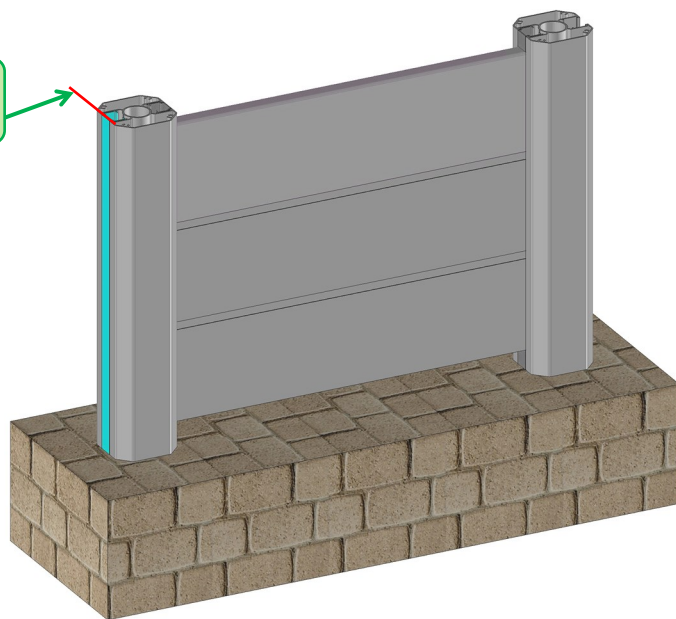
### Install the 200 mm finishing clips :

Insert the clip into the groove of the post until it comes in contact with the top slat. Note the dimension at the top of the post. Take the clip out, cut it to dimension and install



**Install the 1966 mm finishing clip :**

Insert the clip into the groove down to the ground.  
Note the dimension at the top of the post.  
Take the clip out, cut it to dimension and install it.



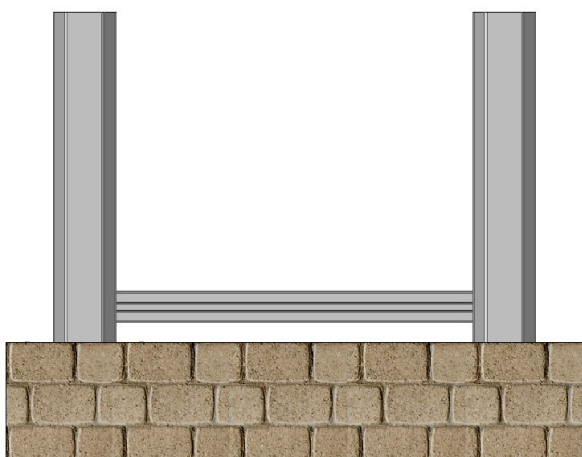
**Attach the post caps :**

After installing all posts, slats and finishing clips ;  
Glue or siliconize the caps onto the posts.

**"Metal sheet or wood type" infills**

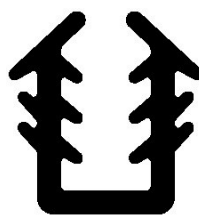
The installation principle is identical.

**Please note :** The thickness of the metal sheet and wooden plates are different from standard slats.

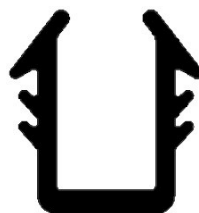


**Example :**

Check the distance between posts  
with supplied bottom transom.



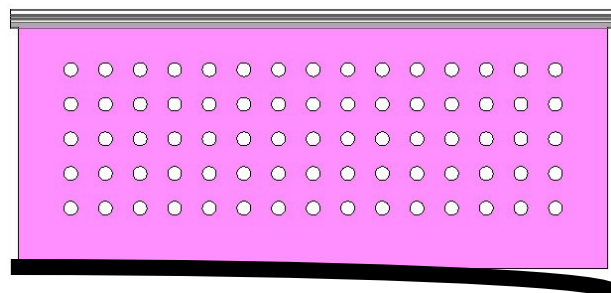
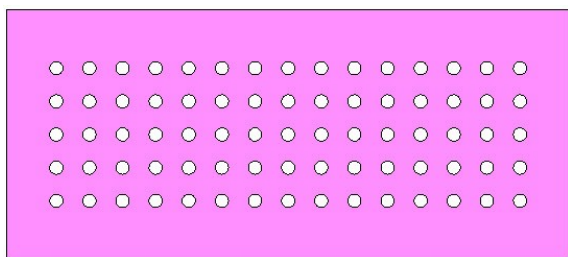
**Metal sheet infill rubber insert :**  
Sheet thickness = 2,5 mm.



**Wooden plate rubber insert :**  
Wooden slat thickness = 5 mm.

**Install the rubber inserts on metal or wooden infills :**

Place the top/bottom rubber inserts overrunning each sides, see figure underneath.



**Example :** On metal sheet infill

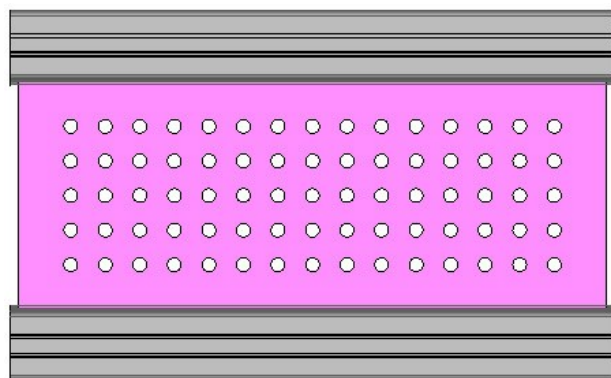
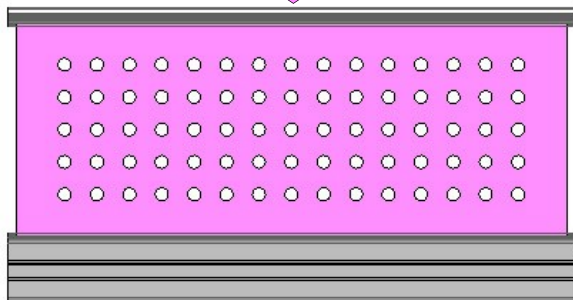
**Install bottom/top transom on a metal sheet or wooden infills :**

Align and center bottom/top transom to the infill

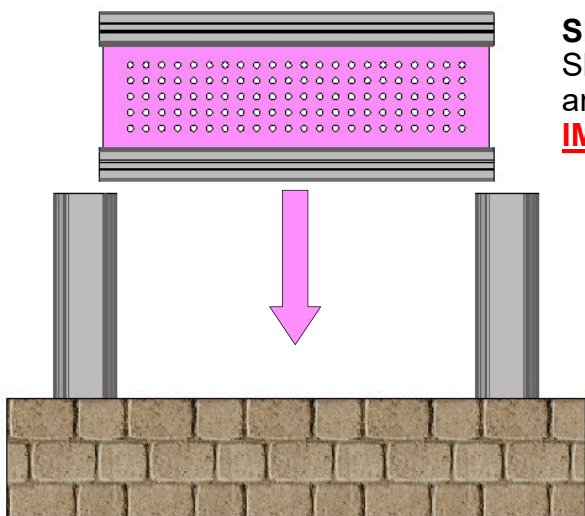


**Make sure the infill does not move once the top transom is installed.**

Once inserted, make sure that the transom is well fitted to the infill and does not move. Then, insert the top transom onto the infill.



**Example :** Metal sheet infill

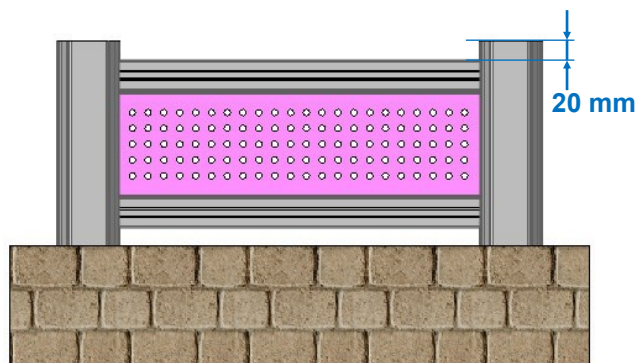


**Example :** Metal sheet infill

**Slide the 1<sup>st</sup> fence element module :**

Slide the starting clips into the grooves of the posts and then the infill panel.

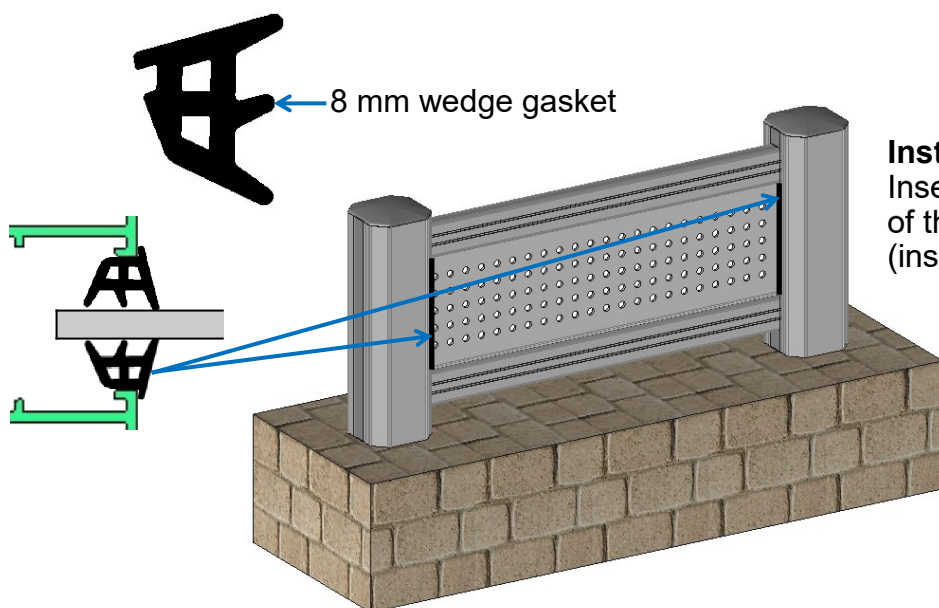
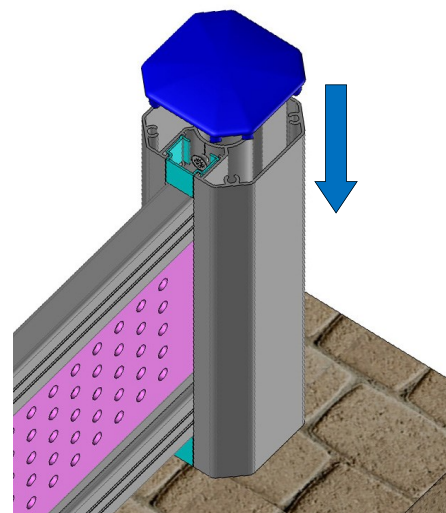
**IMPORTANT :** Respect the dimension between the top of the top transom and the top of the post. If necessary, adjust the height of the post.



**Install all fence element modules, following the example more above.**

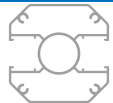




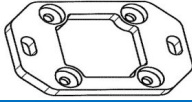



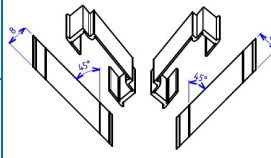
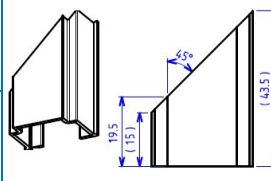
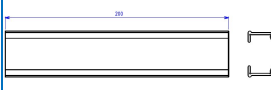
Repeat the same sequence of actions starting from chapter :  
**"Slat type" claddings.**

- Lock all fence element modules (see page 12).
- Install the 200 mm and 1966 mm finishing clips.
- Clips the posts caps in attach the caps.

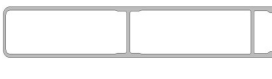








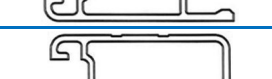
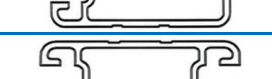







**Install the wedge gaskets :**  
 Insert the wedge gaskets at each end of the infill panels and on both sides (inside and outside).

# Annex

Item	Name	Comment	Reference	Image
<b>Post</b>	Intermediate guiding rail 80 x 80 mm	Standard length 1095, 1595 or 2345 mm	PCX-001	
	Corner guiding rail 80 x 80 mm	Standard length 1095, 1595 or 2345 mm	PCX-002	
	Half-post 80 x 40 mm	Standard length 1095, 1595 ou 2045 mm	PCX-017	
	Guiding rails clip	Standard length 1966 mm	PCX-003	
	Sealing core Ø30 mm	Length 450 mm gross	AC0-008	
	Machined bearing plate 120 x 80 x 10 mm	Accessory	ACX-001	
	Black ABS cap 80 x 80 mm	Accessory	ACL-001	
	Black ABS half cap 80 x 40 mm	Accessory	ACL-002	
<b>Spacer</b>	Right 25 mm / 90°	Start and intermediate openwork	ACX-002	
	Left 8 mm / 2x45°	Insert clip for wind/view break	ACX-003	
	Right 8 mm / 2x45°		ACX-004	
	Left start 43 mm / 1x45°	For wind/view break model	ACX-005	
	Right start 43 mm / 1x45°		ACX-006	
	Right 200 mm / 90°	Clip to cut	ACX-007	
	<p><b>X : Varies according to color</b></p> <p><b>Example :</b> Guiding rail clip (Post) → Color RAL 9016 (white) = Reference PC<b>1</b>-003</p>			



Item	Name	Comment	Reference	Image
<b>"Slat type" claddings</b>	Top solid slat 20 x 125 mm	Standard length 1966 mm	PCX-006	
	Top solid slat 20 x 250 mm	Standard length 1966 mm	PCX-016	
	Intermediate solid slat 20 x 133 mm	Standard length 1966 mm	PCX-007	
	Intermediate solid slat 20 x 258 mm	Standard length 1966 mm	PCX-015	
	Wind/View break slat 20 x 128 mm	Standard length 1966 mm	PCX-008	
	Openwork slat of 20 x 100 mm	Standard length 1966 mm	PCX-009	
	Openwork slat of 20 x 200 mm	Standard length 1966 mm	PCX-014	
	Top solid transom 20 x 48 mm	Standard length 1966 mm Solid Creativ' option	PCX-012	
	Bottom solid transom 20 x 48 mm	Standard length 1966 mm Solid Creativ' option	PCX-013	
<b>"Metal sheet type" infills</b>	Metal sheet transom once 20 x 40 mm	Standard length 1966 mm	PCX-010	
	Metal sheet transom twice 20 x 40 mm	Standard length 1966 mm	PCX-011	
<b>Gasket</b>	Elastomer seal 2,8 mm black for Metal sheet	By the meter	JNT-061	
	Elastomer seal 5 mm black for wood	By the meter	JNT-062	
	Shimming gasket	By the meter	JNT-063	
<b>Screws</b>	Screw TH Ø5,5 x 60 mm Stainless steel	For bearing plate	VIS-201	
	Self-forming screw TFC M5 x 16 mm Stainless steel	Front hole Ø4,4 mm	VIS-202	

**X : Varies according to color**

Example : Covering for wind/view break slat → Color RAL 9016 (white) = Reference PC**1**-008