

Manual No. 7082

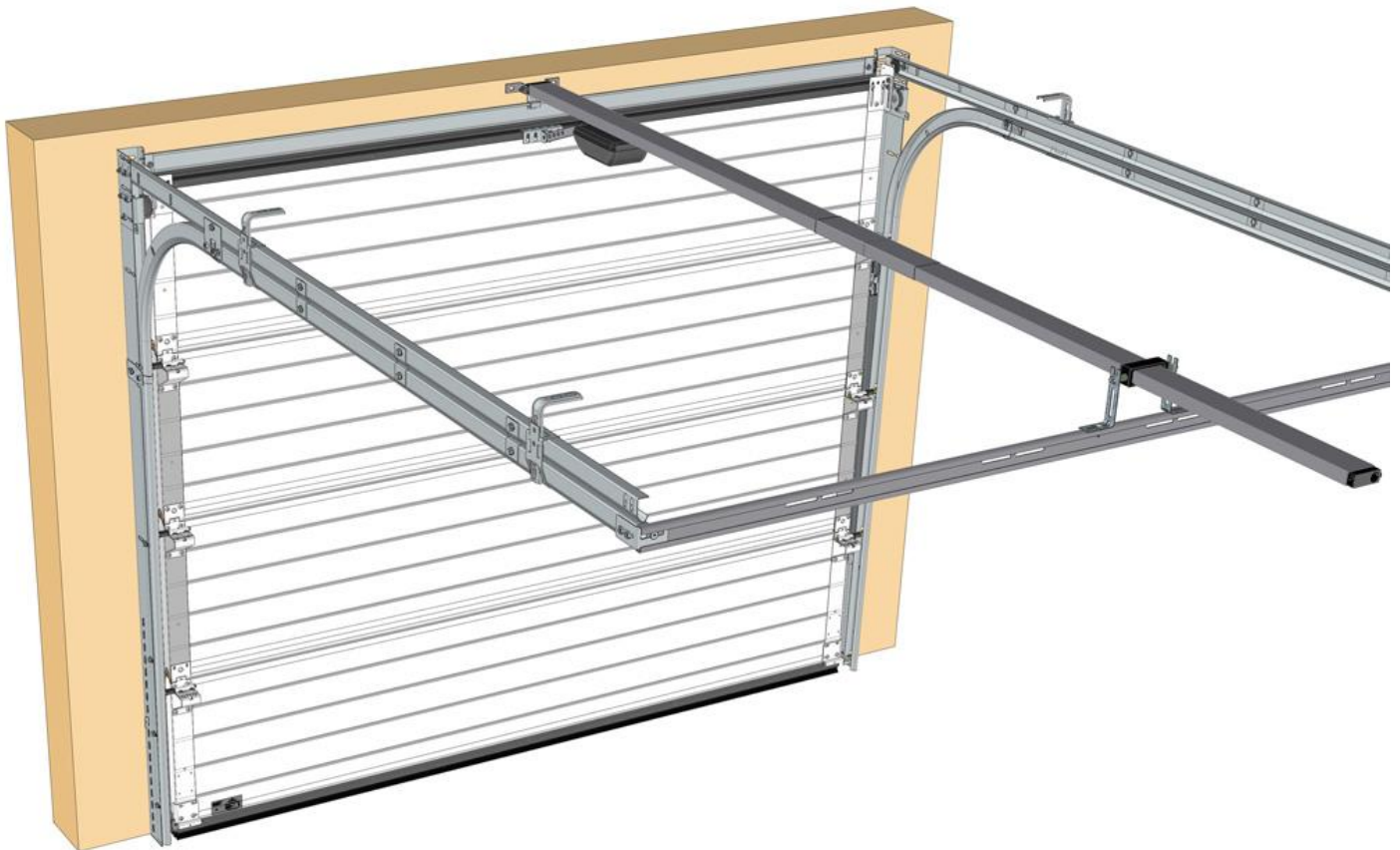
07/24

INSTALLATION

Residential garage doors Manual or Motorised



RE100
(Extension Springs)



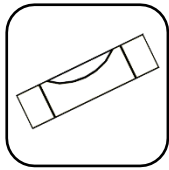
(Document reserved for installers)

Contents

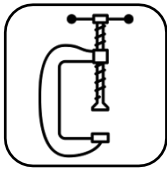
Before installation	3
Required equipment.....	3
Installation instruction.....	4
Kit contents for each door configuration/option	5
Kits for MOTORISED and MANUAL doors.....	5
Kits for MOTORISED doors.....	6
Kits for MANUAL doors.....	6
Vertical rail installation.....	7
Checking the bay	7
Assembling the vertical seals.....	7
Checking the cables/springs	8
Assembling the fascia seal	8
Assembling the fascia	9
Fixing the fascia to the floor	9
Layout of the frame	10
Fixing the vertical rails.....	10
Horizontal rail installation	11
Assembling the stops (motorised doors).....	11
Assembling the curves.....	11
Fixing the horizontal rails	12
Assembling the back bar brackets.....	14
Installing the back bar	14
Installing the hangers	15
Back bar extension (option).....	15
Checking the diagonals.....	16
Shutter assembly.....	16
Grease all roller shafts.....	16
Panel preparation	17
Installing the bottom panel	18
Installing the intermediate panel(s)	18
Installing the top panel.....	19
Cable attachment	20
Opening the shutter	20
Cable attachment points	20
Checking the balance.....	21
Adjusting the spring tension.....	21
Finishes	22
Adjusting and fixing the fascia.....	22
Adjusting the rollers	22
Fixing the upper roller supports	22
Fixing the end position clips (manual door)	23
Assembling the handle	23
Assembling the latch (optional on motorised doors).....	23
Installing the lock (optional on motorised and manual doors)	24
Installing the pull cord (if manual door).....	28
Weather seal (optional).....	28
Greasing the bottom of the rails	28
Assembling the spring pulley covers	29
Cable labels.....	29
Fixing the « SOMMER » operator to the back bar.....	30
Fixing the FAAC and CAMÉ operators on the shutter	30

Before installation

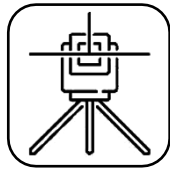
Required equipment



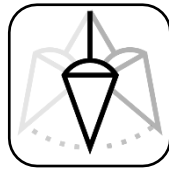
Spirit level



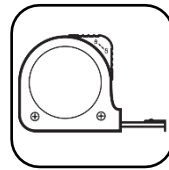
Clamps



Laser level



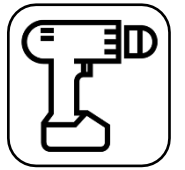
Plumb bob



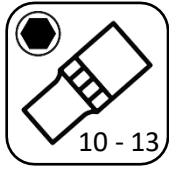
Tape measure



Utility knife



Electric screwdriver



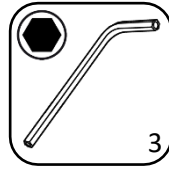
Sockets
10 - 13



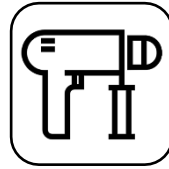
Cruciform bit



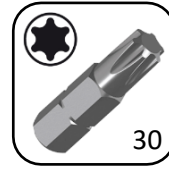
Flat wrench
10 - 13



Allen key
3



Perforator



Torx bit
30



Ladder



Phillips screwdriver



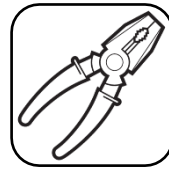
Flat screwdriver



Pencil



Grinder



Combination pliers



Cutting pliers



Locking pliers



Steel drill bit
Ø2-4.2-4.5-10-13



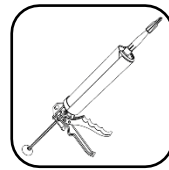
Hammer



Rivet gun



Hacksaw



Silicone sealant



Brush



Pot of grease



Grease spray

Installation instruction

CAUTION !



To ensure that this product is assembled,
used and maintained in complete safety,



it is important to follow the instructions provided in this document.

For everyone's safety, please adhere to the
precautionary measures below.

- Before beginning the assembly, read this manual carefully.
- This closure must be installed by a professional technician.
- All the parts delivered are specifically sized for this product.
Adding and/or using other parts may be detrimental to safety and may affect the product's warranty.
- Any modification or improvement of this closure must be compliant with the standard BS EN 13241:2003+A2:2016.
In this case, a "modification/transformation" file must be created by the installer as per the standard BS EN 12635:2002+A1:2008 annex C.
- Considerable force is exerted by the extension springs; carry out work in accordance with the safety instructions.
Use the appropriate tools to install these products. Ensure that all work is carried out on a stable floor.
- Ensure that the assembly area is adequately lit, clear, clean and clearly marked out.
- Ensure that no other people are present at the assembly site apart from the installers.
Non-authorized persons (children for example !) who are present at the site risk injury during assembly.
- All the components of this closure must be installed in compliance with the installation instructions provided in this manual.
- All the requirements of the standards BS EN 13241:2003+A2:2016 must be met and verified if necessary.

Max. tightening torque :

- Assembly screws : **10 Nm**
- Shutter mounting screws : **12 Nm**

Min. working load per attachment point :

- Rails : **40 daN**

Kit contents for each door configuration/option

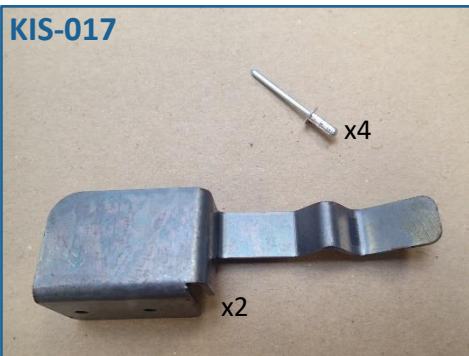
Kits for MOTORIZED and MANUAL doors



Kits for MOTORISED doors

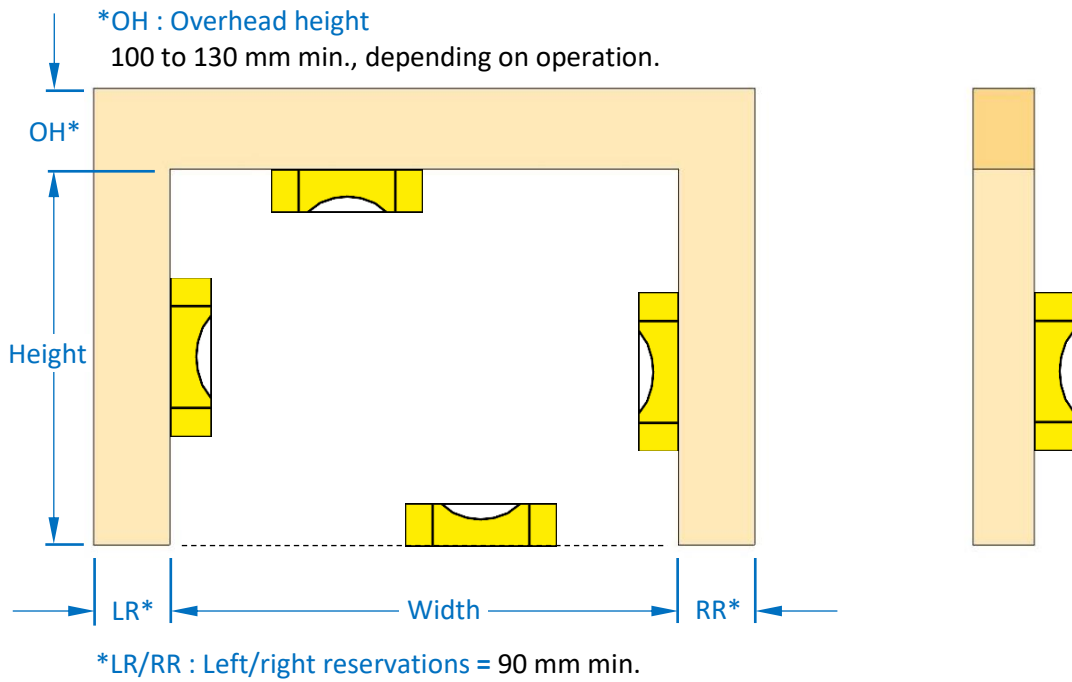
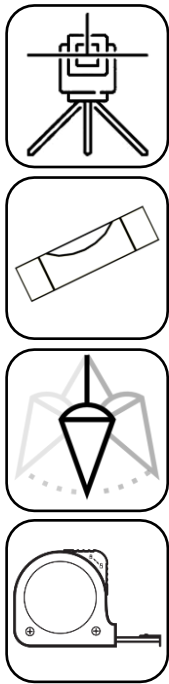


Kits for MANUAL doors

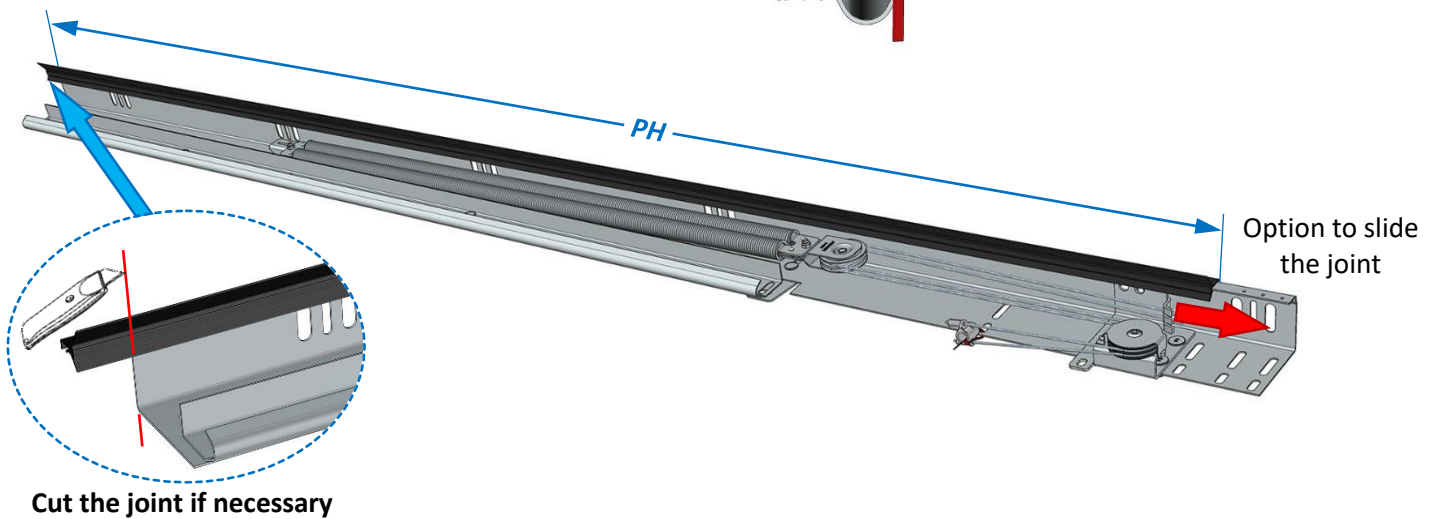
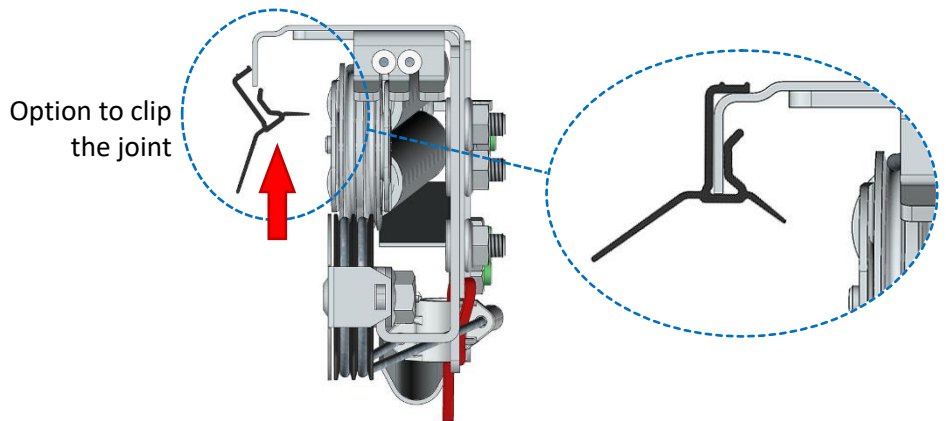


Vertical rail installation

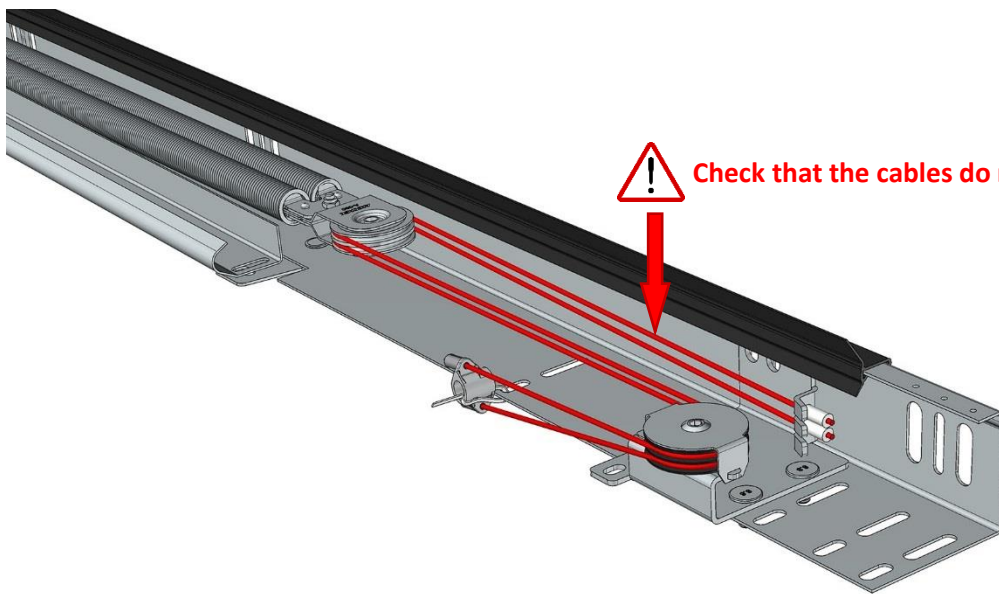
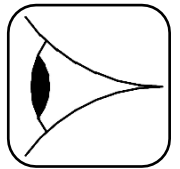
Checking the bay



Assembling the vertical seals



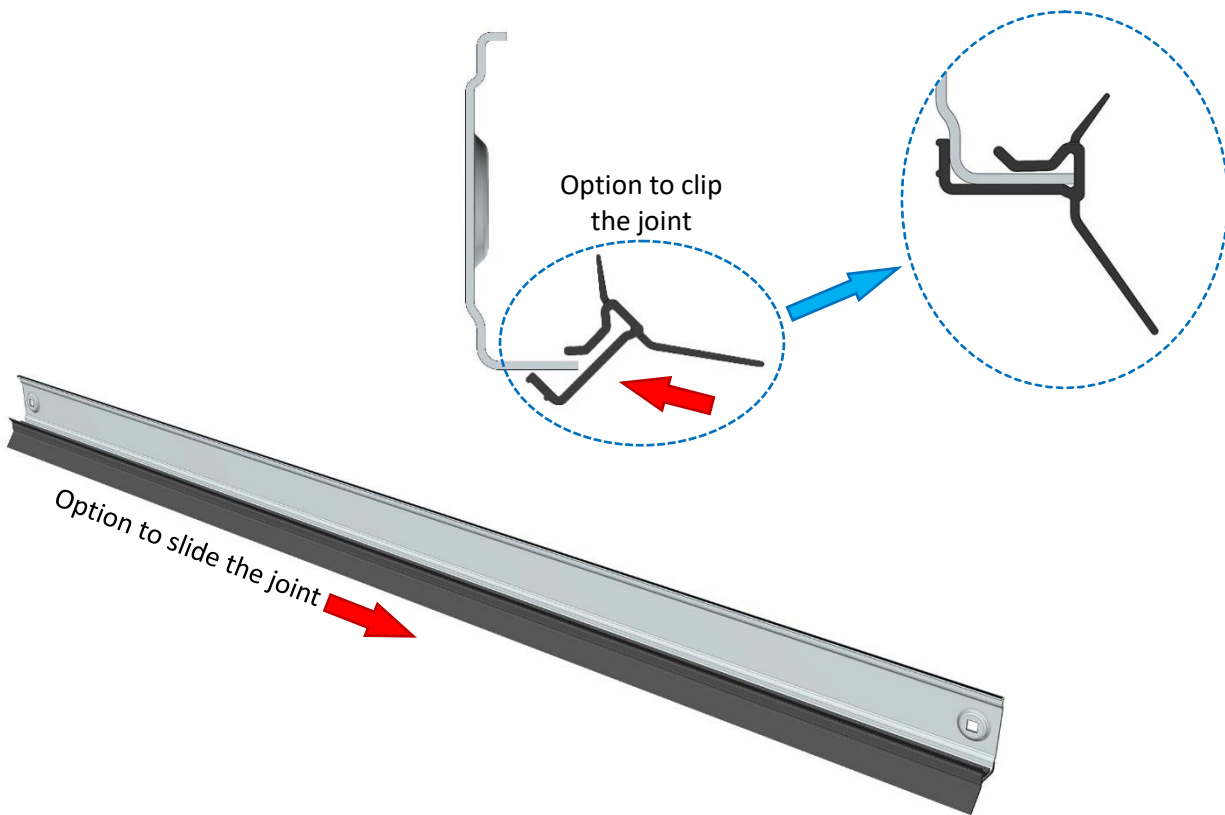
Checking the cables/springs



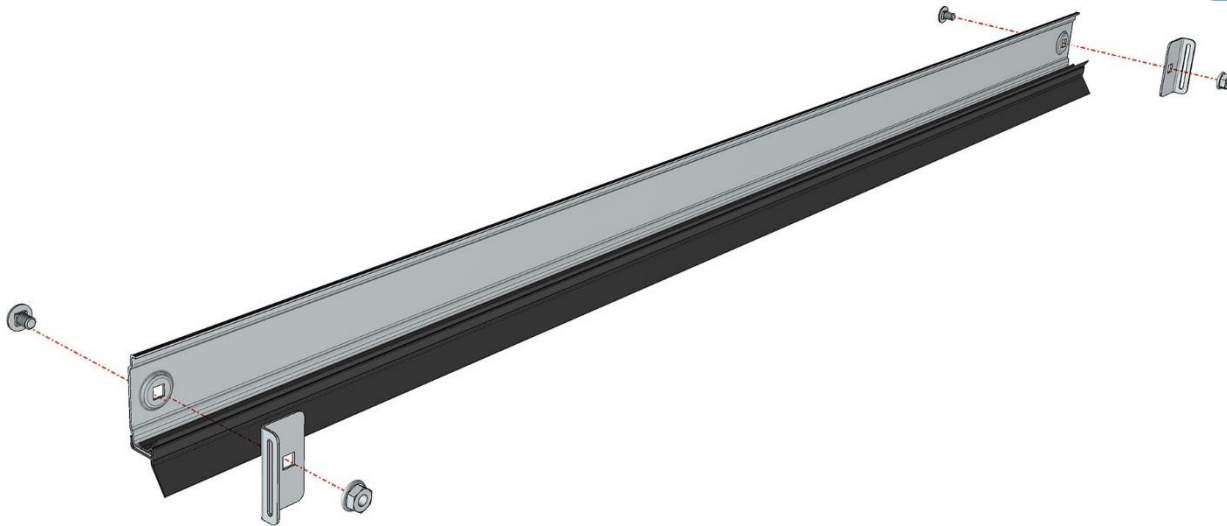
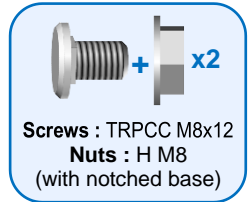
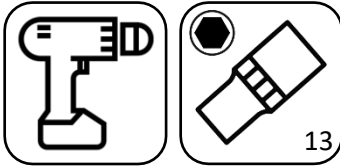
Check that the cables do not cross (parallel cables).

Assembling the fascia seal

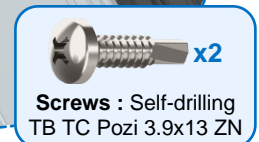
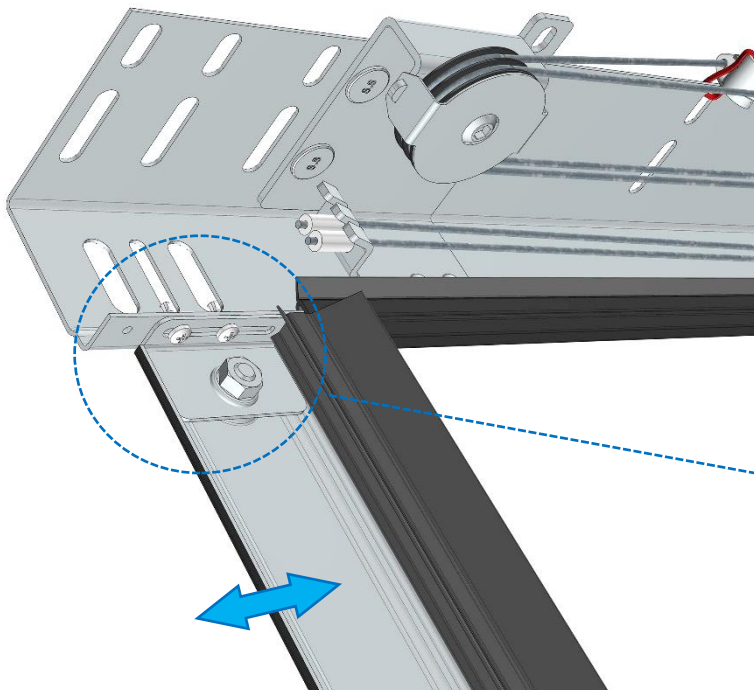
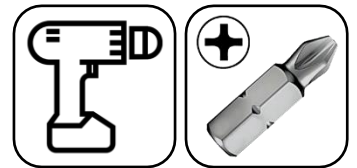
Remove the protective film before assembling the joint.



Assembling the fascia



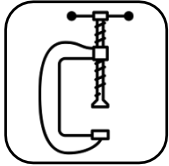
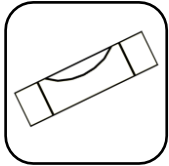
Fixing the fascia to the floor



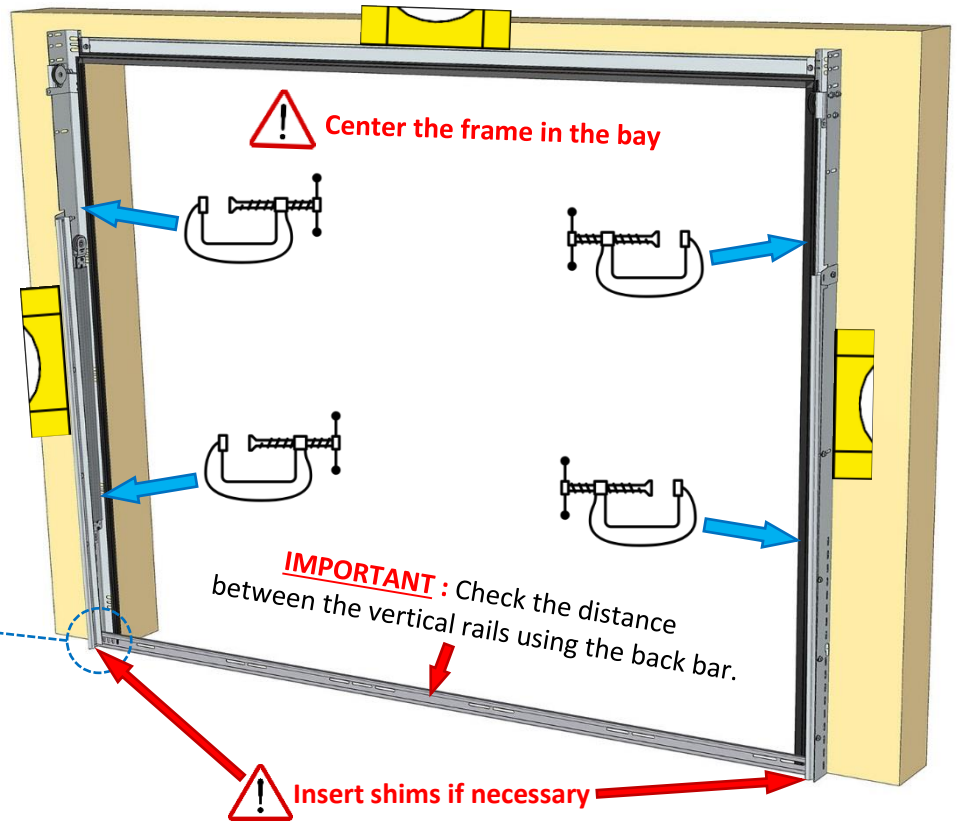
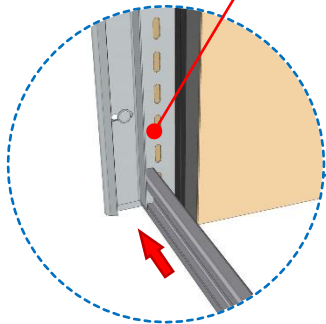
The vertical position of the fascia will be adjusted once the rails have been mounted on the wall.

Repeat the process with the other vertical rail.

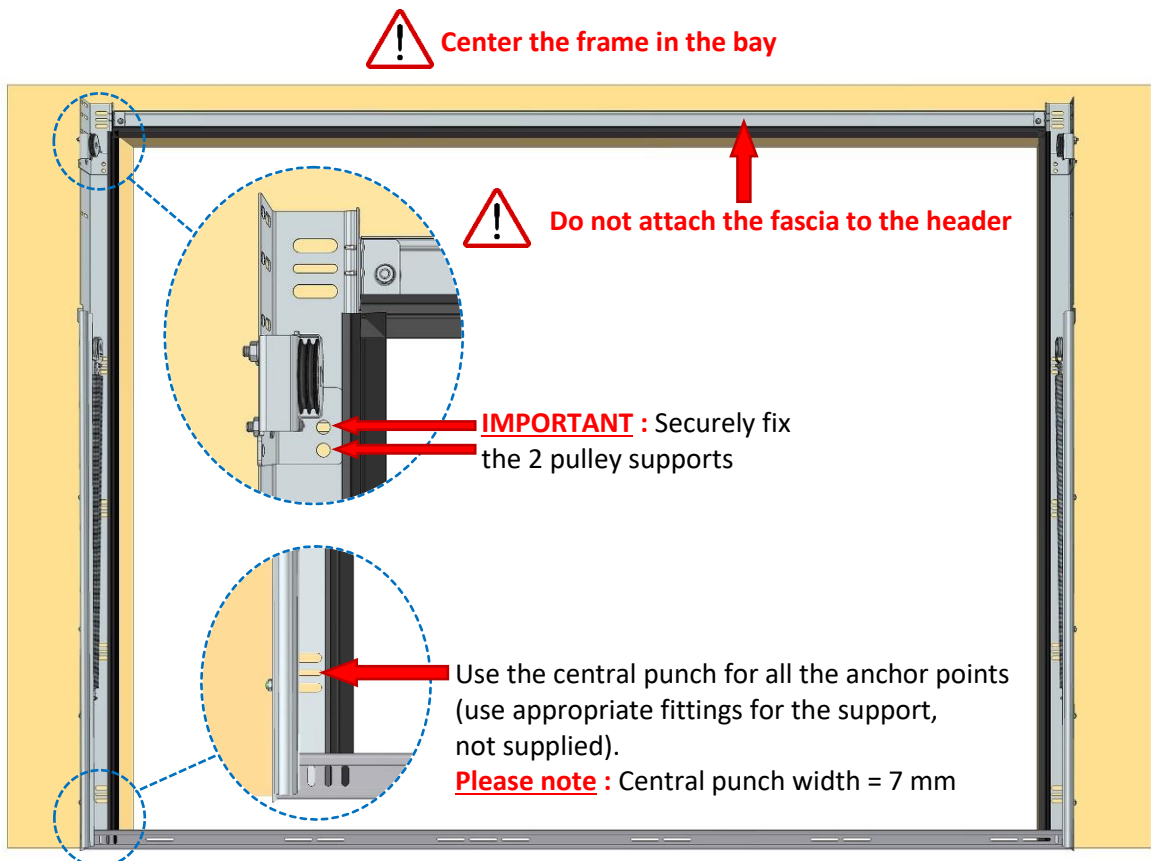
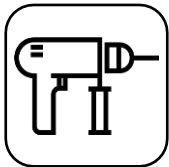
Layout of the frame



The back bar must be in contact with the backstop



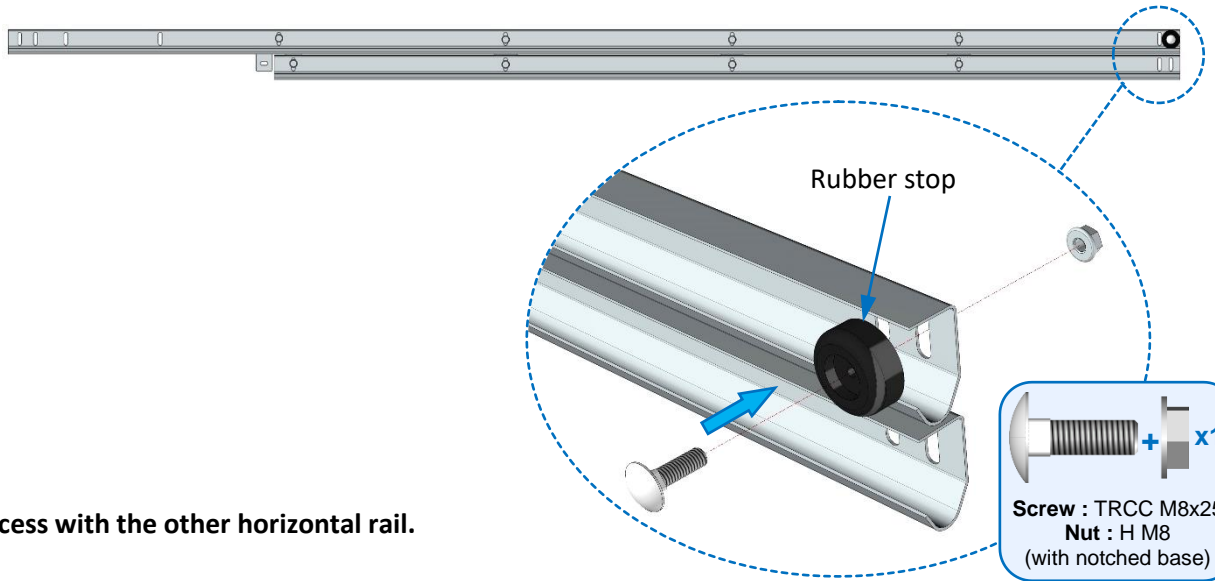
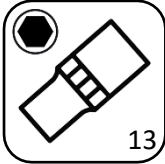
Fixing the vertical rails



Repeat the process on the opposite side.

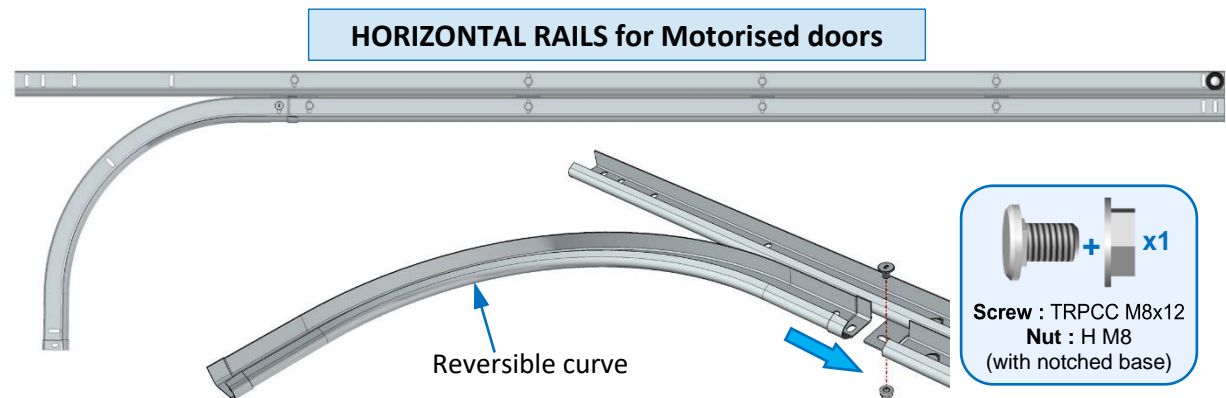
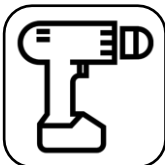
Horizontal rail installation

Assembling the stops (motorised doors)

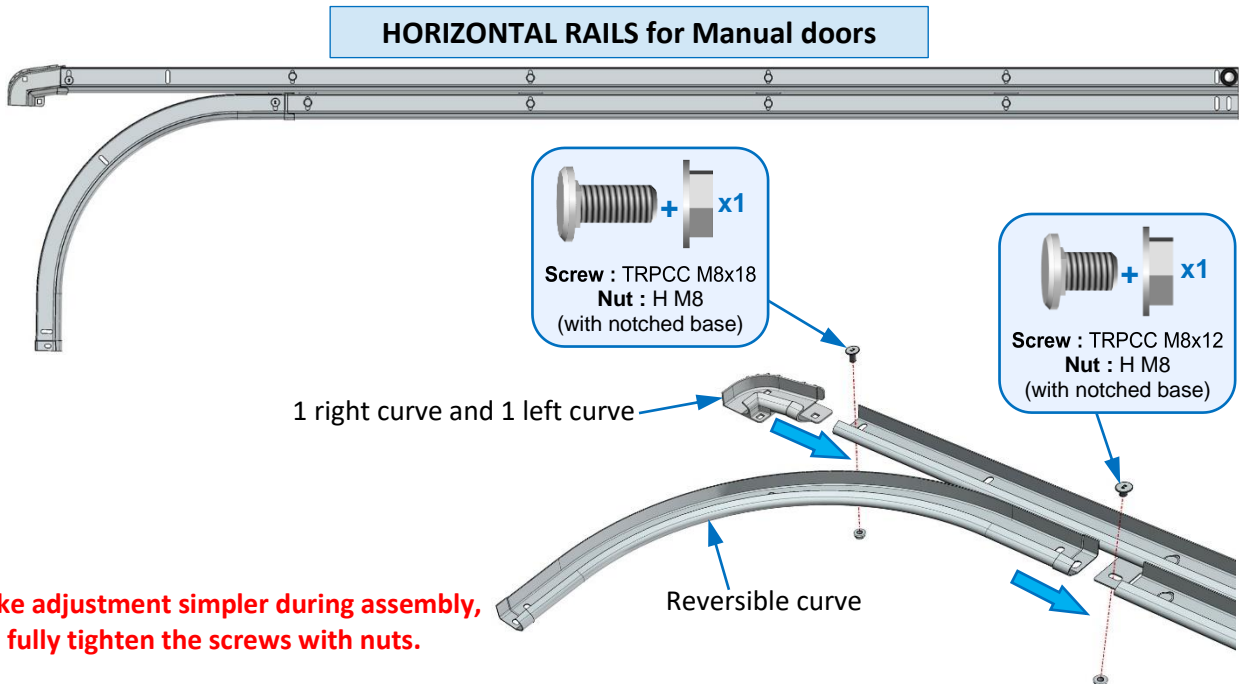


Repeat the process with the other horizontal rail.

Assembling the curves



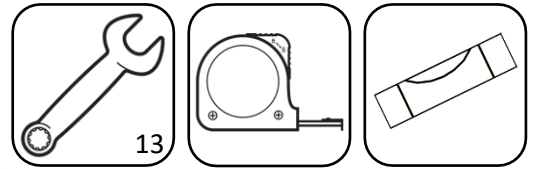
OR



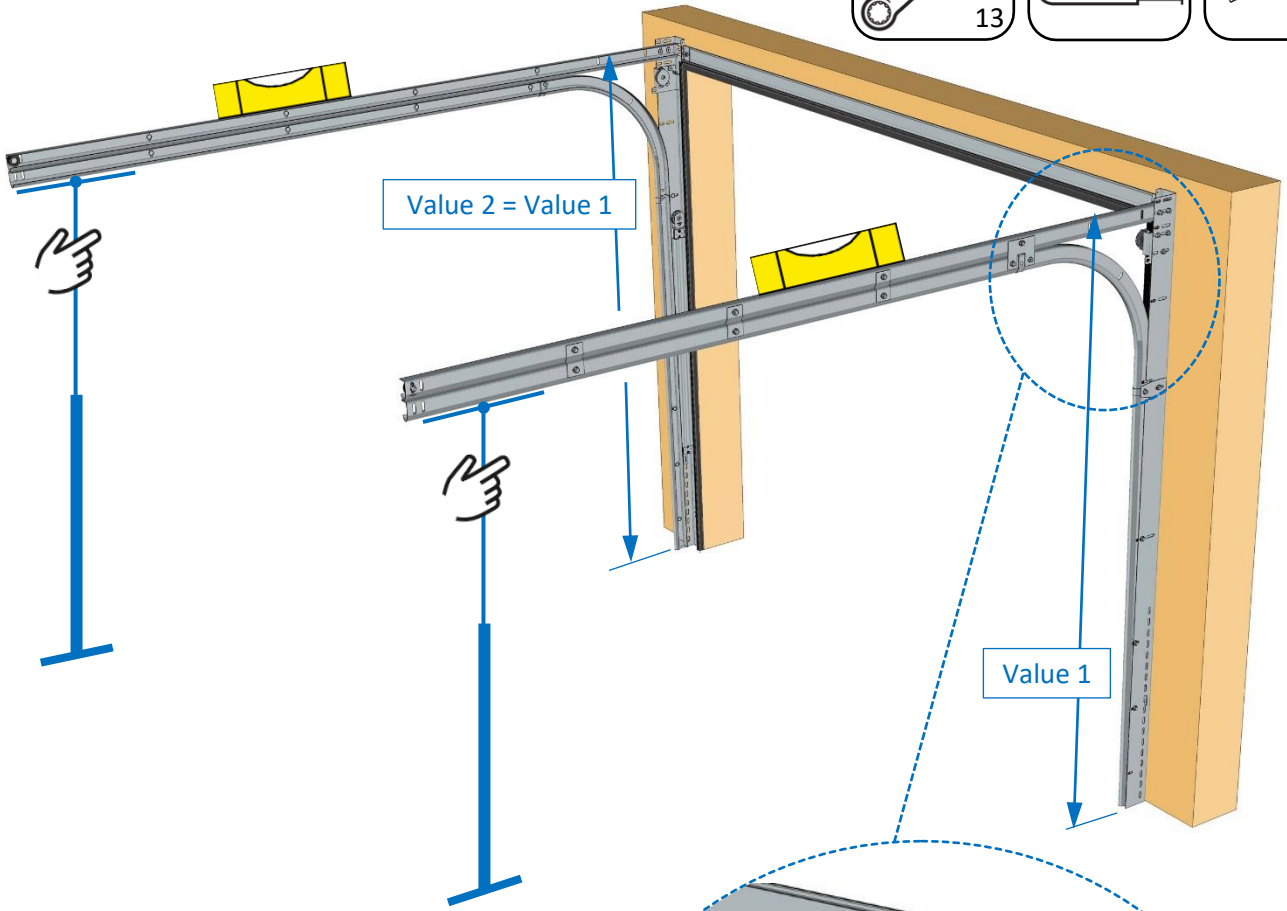
⚠ To make adjustment simpler during assembly, do not fully tighten the screws with nuts.

Fixing the horizontal rails

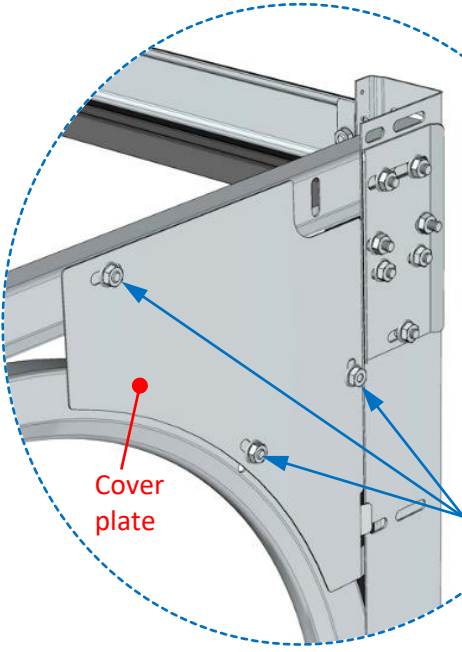
MOTORISED door



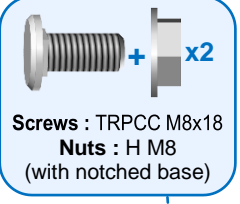
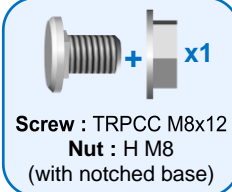
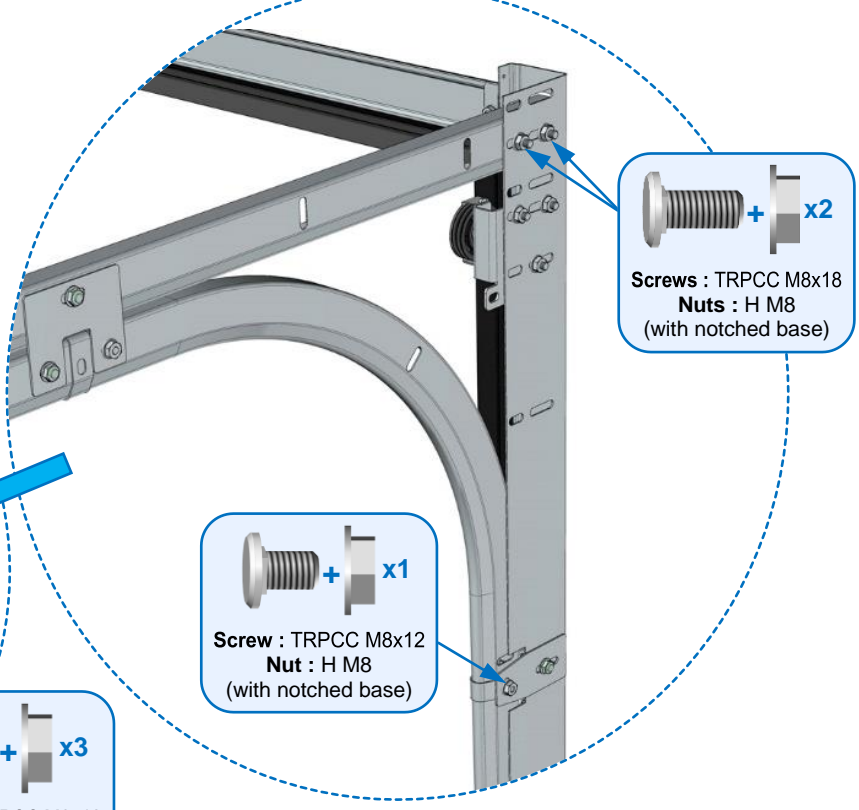
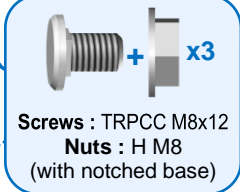
13



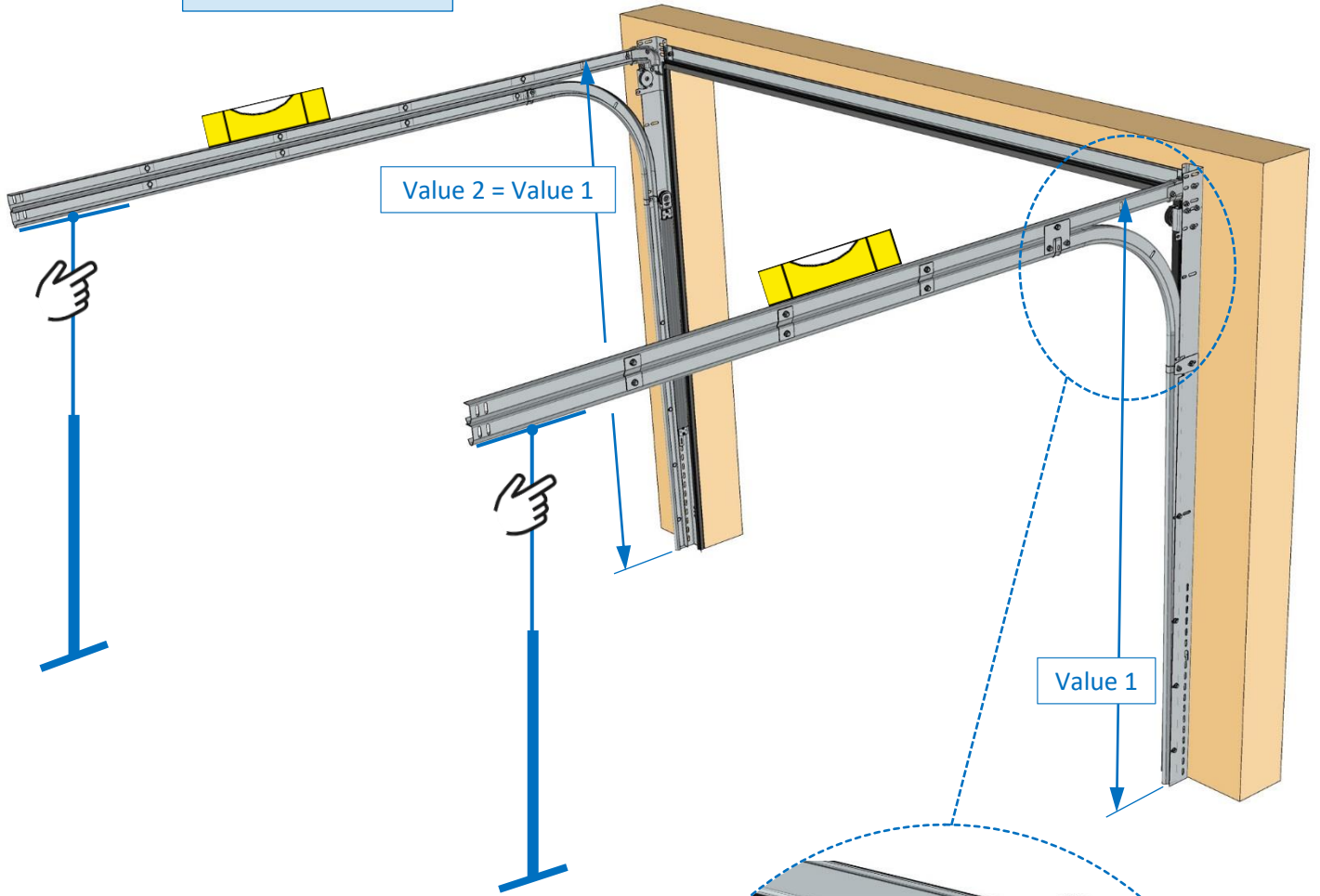
REINFORCEMENT
Shutter > 100 kg



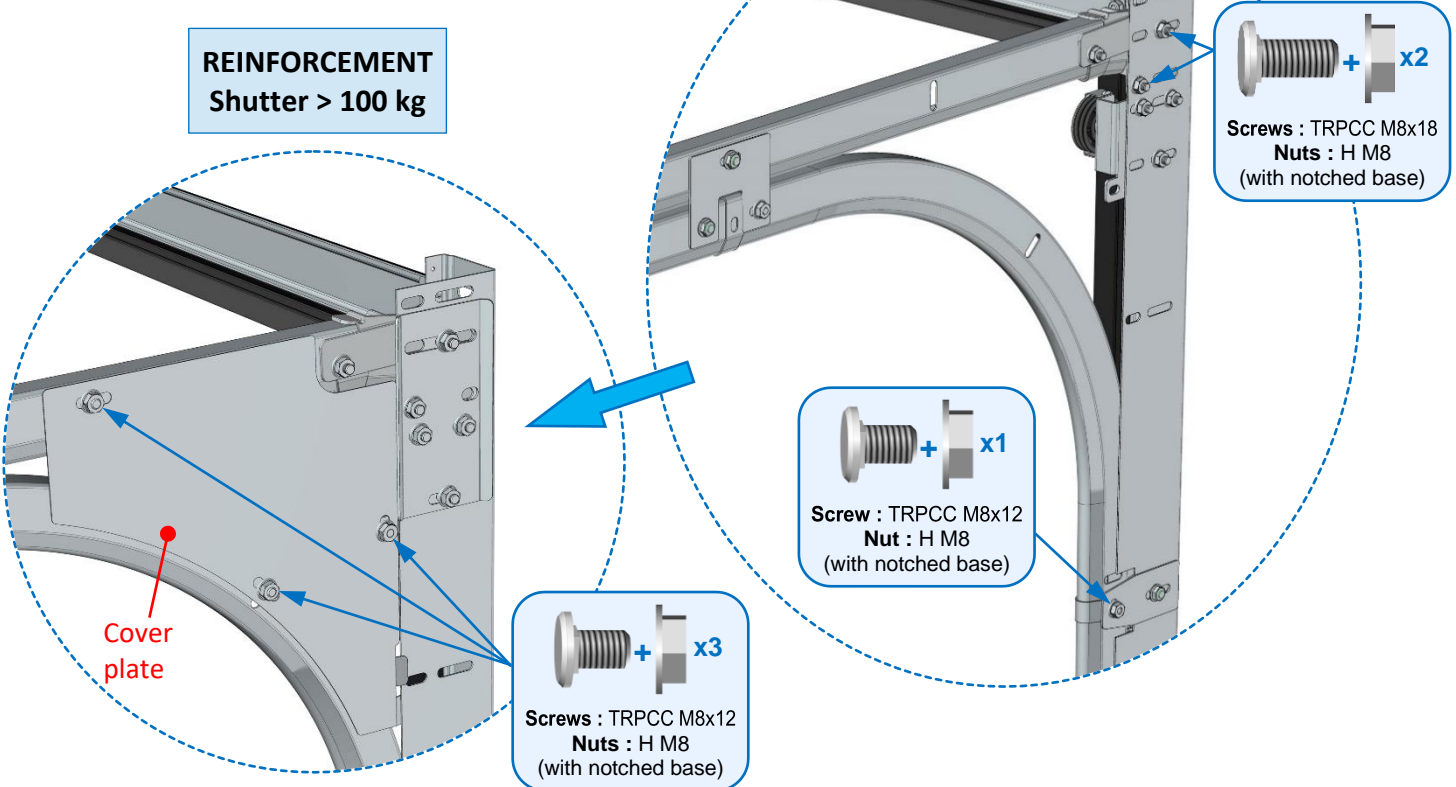
Cover plate



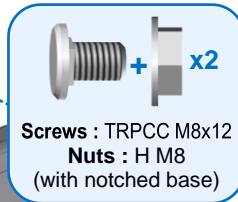
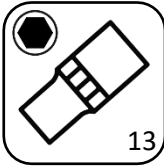
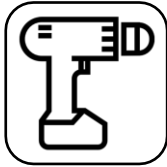
MANUAL door



**REINFORCEMENT
Shutter > 100 kg**



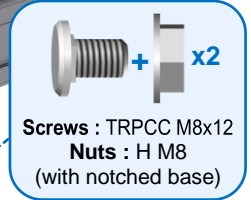
Assembling the back bar brackets



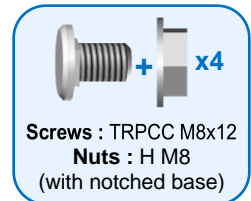
End of back bar in contact with bracket

MANUAL door : OH < 130 mm
MOTORISED door : OH < 130 mm
"Sommer" or "Liftmaster (if PH > 2,125 mm)"

Back bar end aligned with end of bracket



Installing the back bar



MANUAL door

OH < 130 mm

MOTORISED door

OH < 130 mm
Sommer or Liftmaster
(if PH > 2,125 mm) operator only

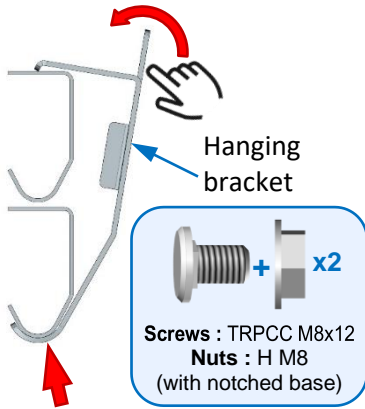
or

OH ≥ 130 mm

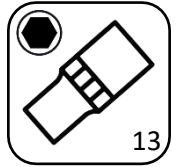
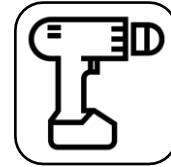
or

"All operators"
Except {
• Sommer OH < 130 mm
• Liftmaster OH < 130 mm
(if PH > 2,125 mm)

Installing the hangers



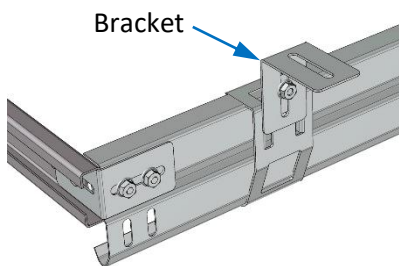
**Do not fasten the hangers to the masonry.
Do not fully tighten the screws with nuts.**



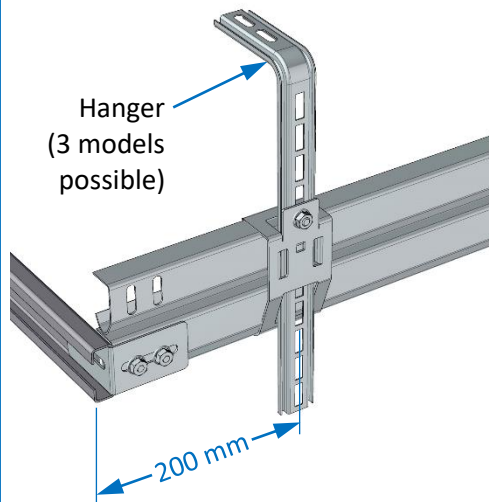
Adapt the number of hangers to the dimensions of the doors :

- 2 hangers, if $PW \leq 3,000$ or $PH \leq 2,150$ mm
- 4 hangers, if $PW > 3,000$ or $PH > 2,150$ mm

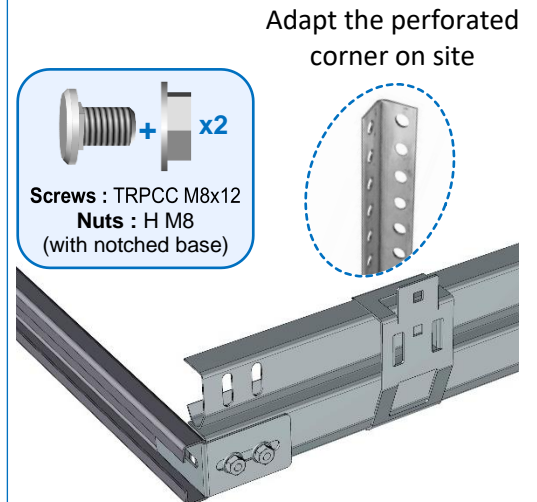
Assembly : $OH < 130$ mm



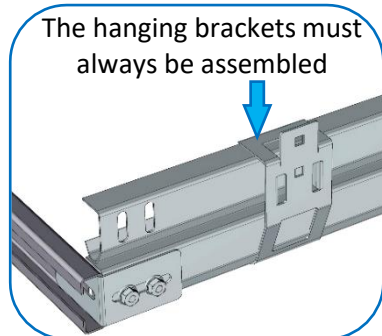
Assembly : $130 \text{ mm} \leq OH \leq 440$ mm



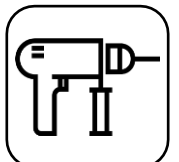
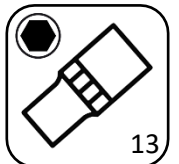
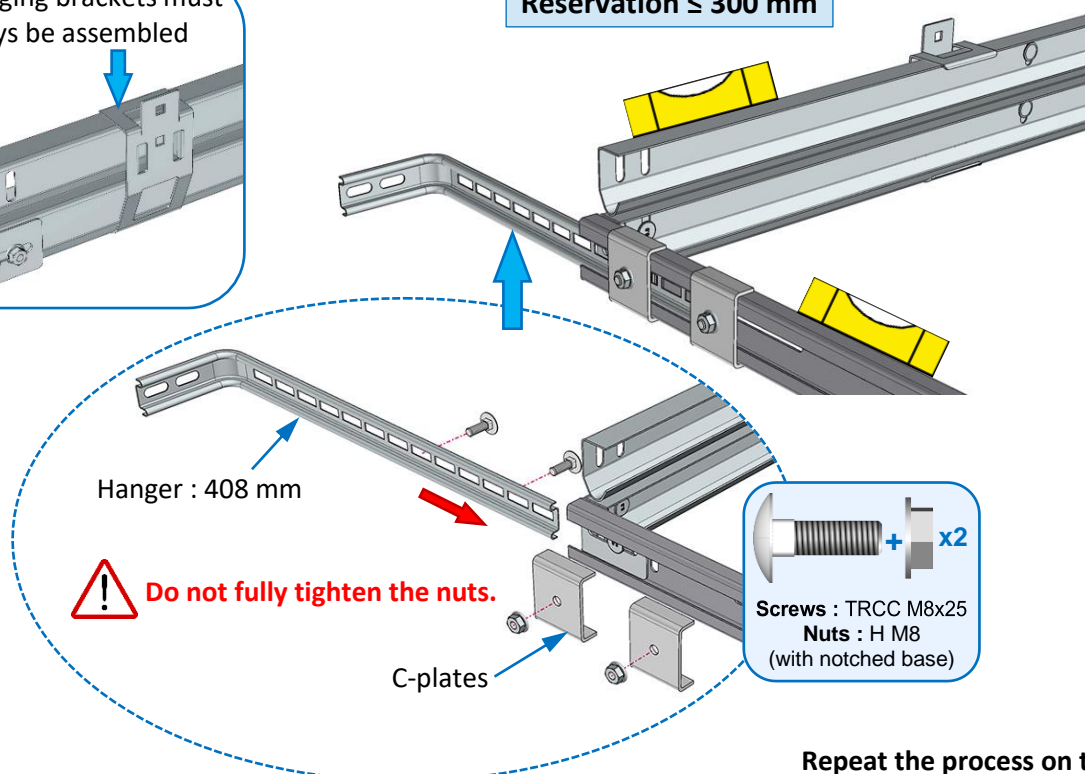
Assembly : $OH > 440$ mm



Back bar extension (option)

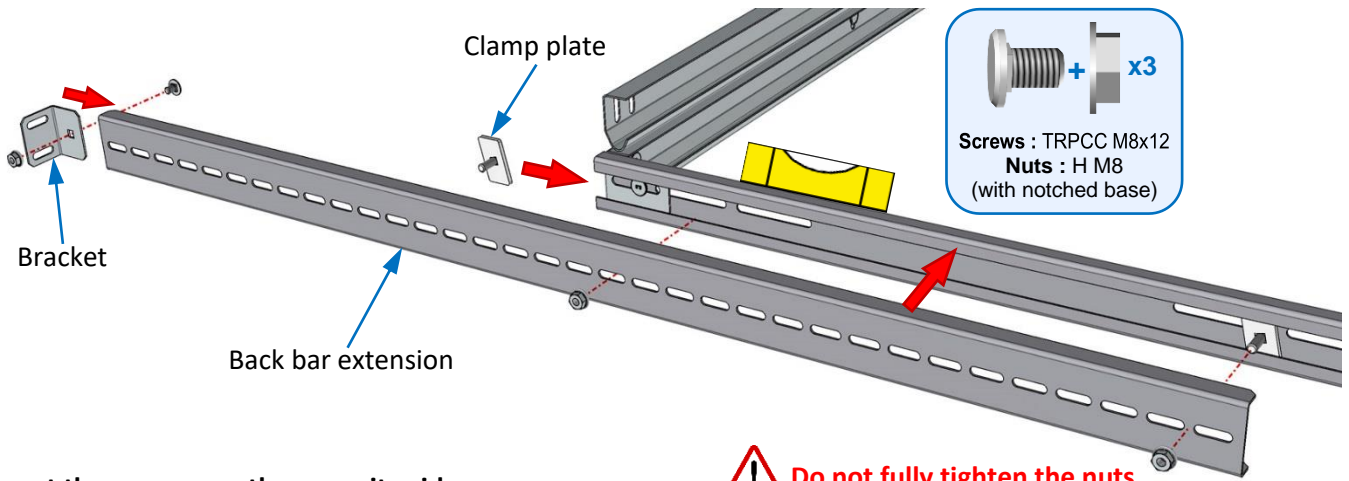


Reservation ≤ 300 mm



Repeat the process on the opposite side

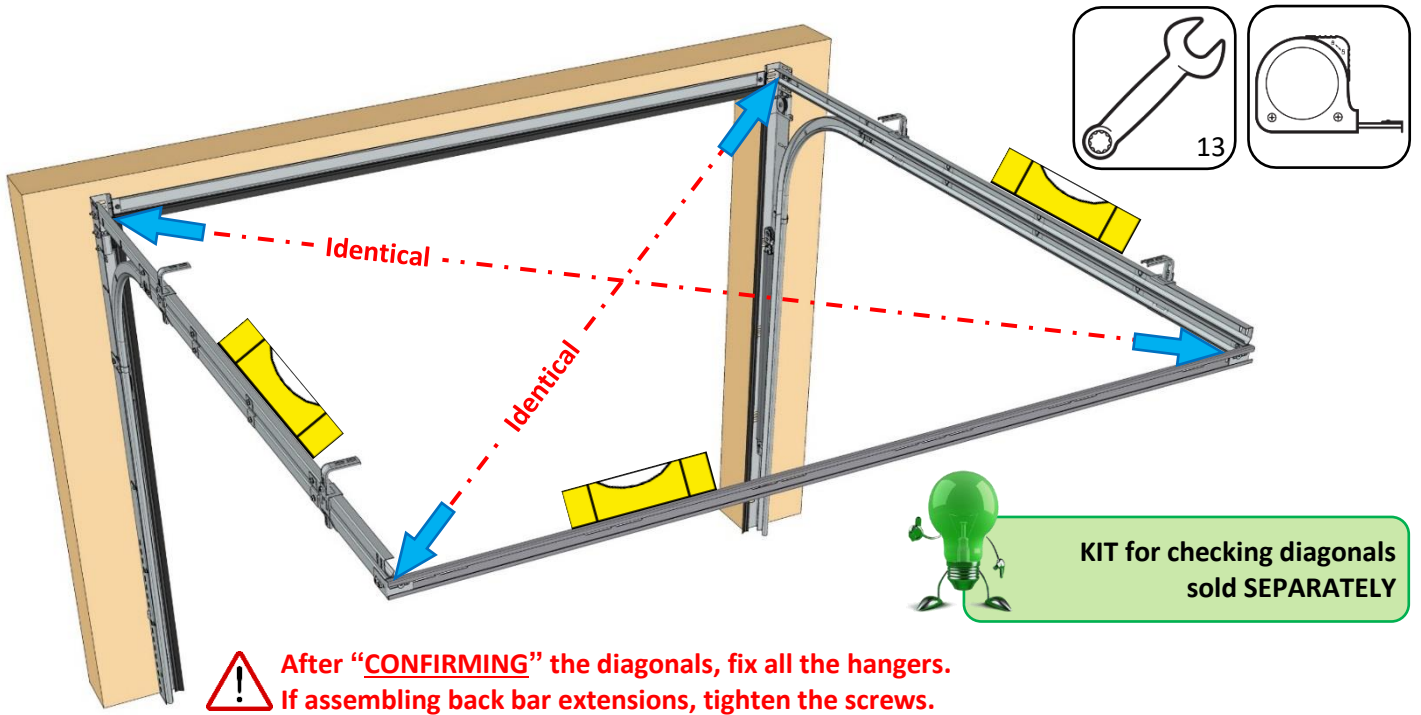
300 mm < Reservation ≤ 1,000 mm



Repeat the process on the opposite side.

⚠ Do not fully tighten the nuts.

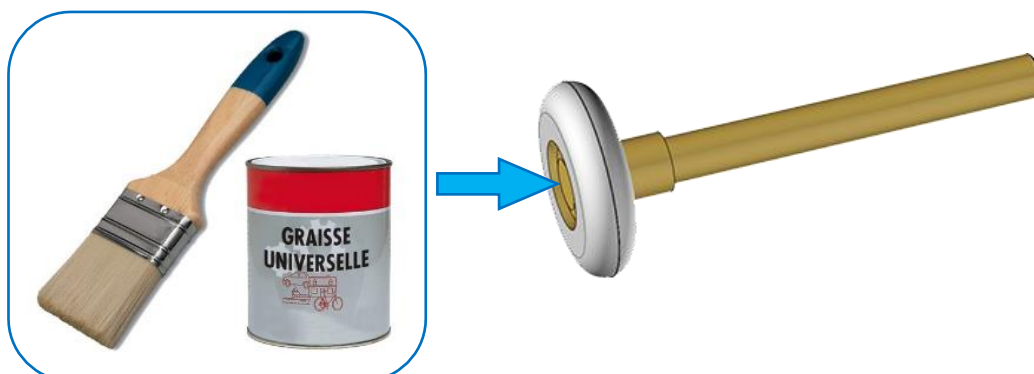
Checking the diagonals



⚠ After "CONFIRMING" the diagonals, fix all the hangers. If assembling back bar extensions, tighten the screws.

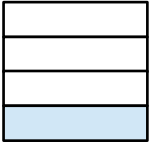
Shutter assembly

Grease all roller shafts



Panel preparation

BOTTOM PANEL



! OPTION tandem



x8
Screws : Self-drilling
TB Torx 6.3x25

OR

x2
Screws : Self-drilling
TB Torx 6.3x25

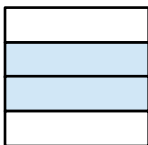
**! To be assembled
on one side only**

x2
Screws : Self-drilling
TB Torx 6.3x25

**! No central hinge
if door PW ≤ 2,600 mm**

**Cut the protruding joint,
if necessary.**

INTERMEDIATE PANEL(S)



x2
Screws : Self-drilling
TB Torx 6.3x25

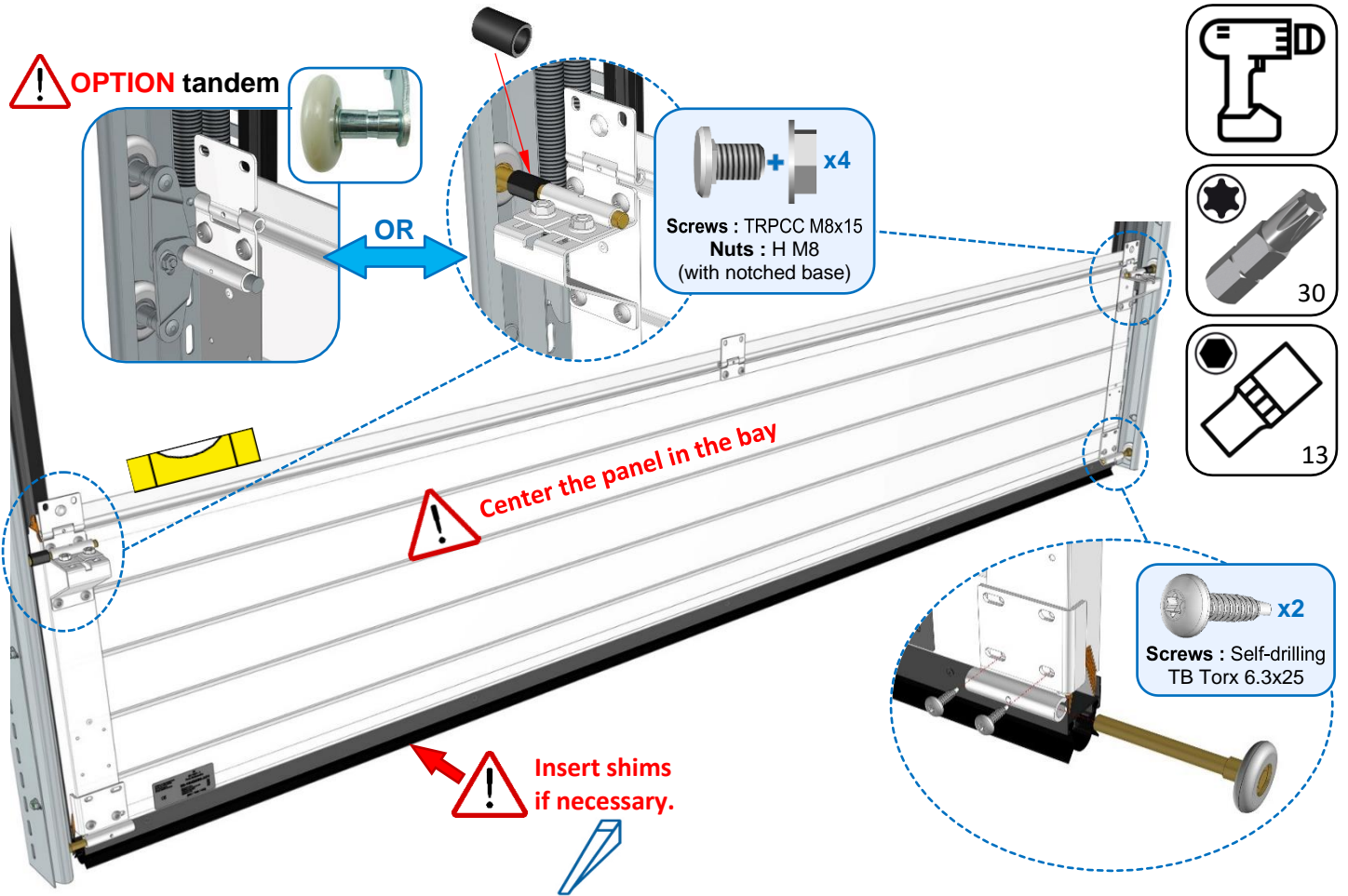
x8
Screws : Self-drilling
TB Torx 6.3x25

OR

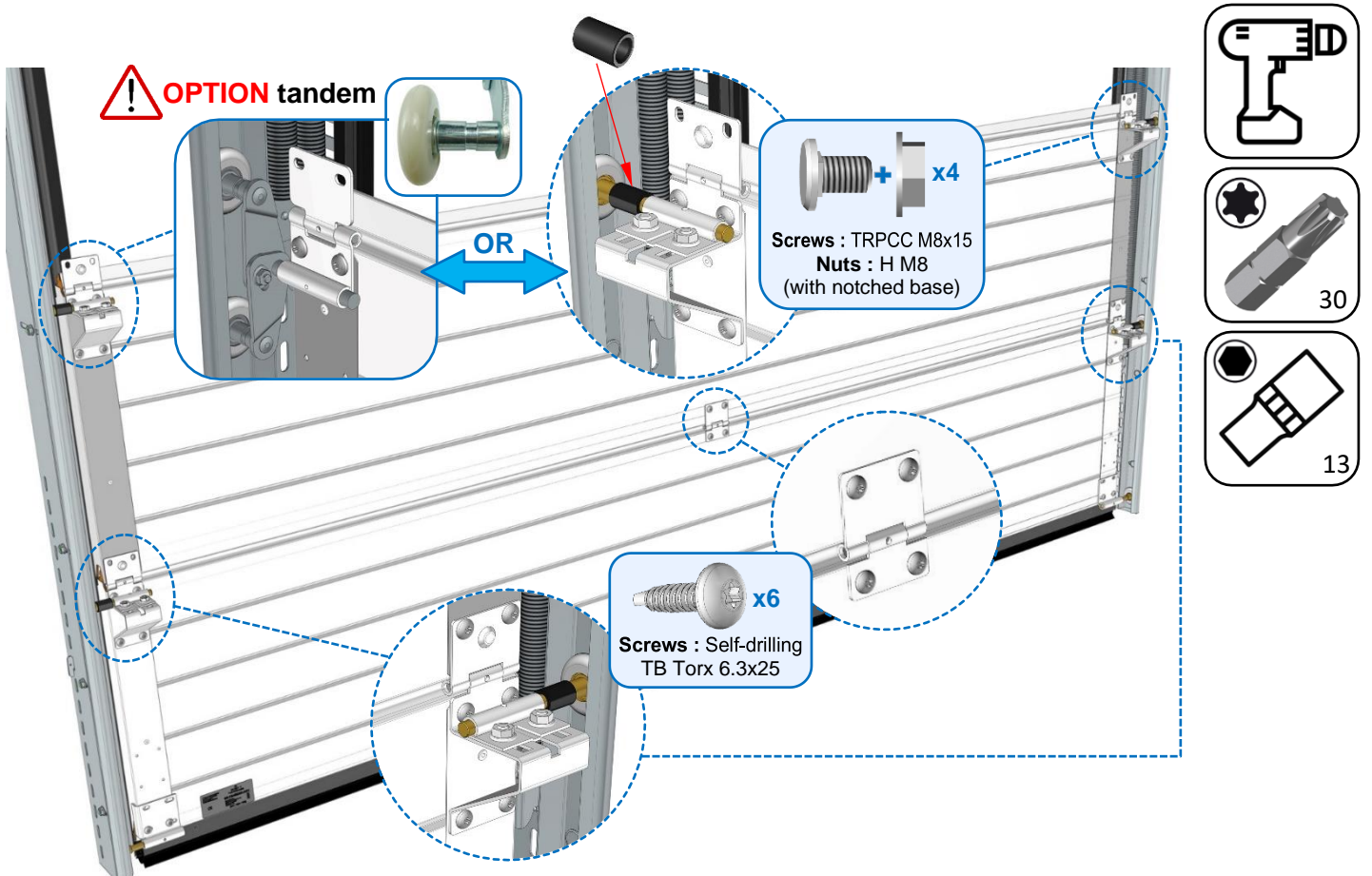
! OPTION tandem



Installing the bottom panel

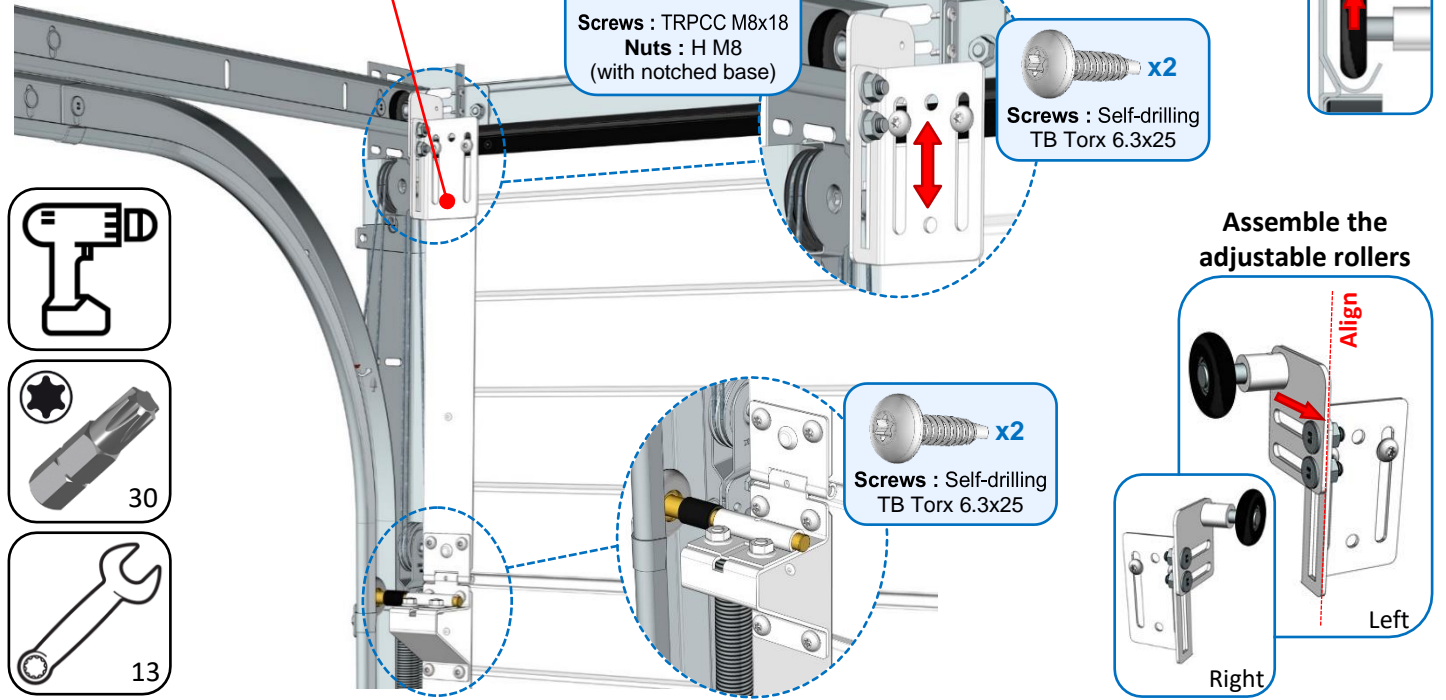


Installing the intermediate panel(s)

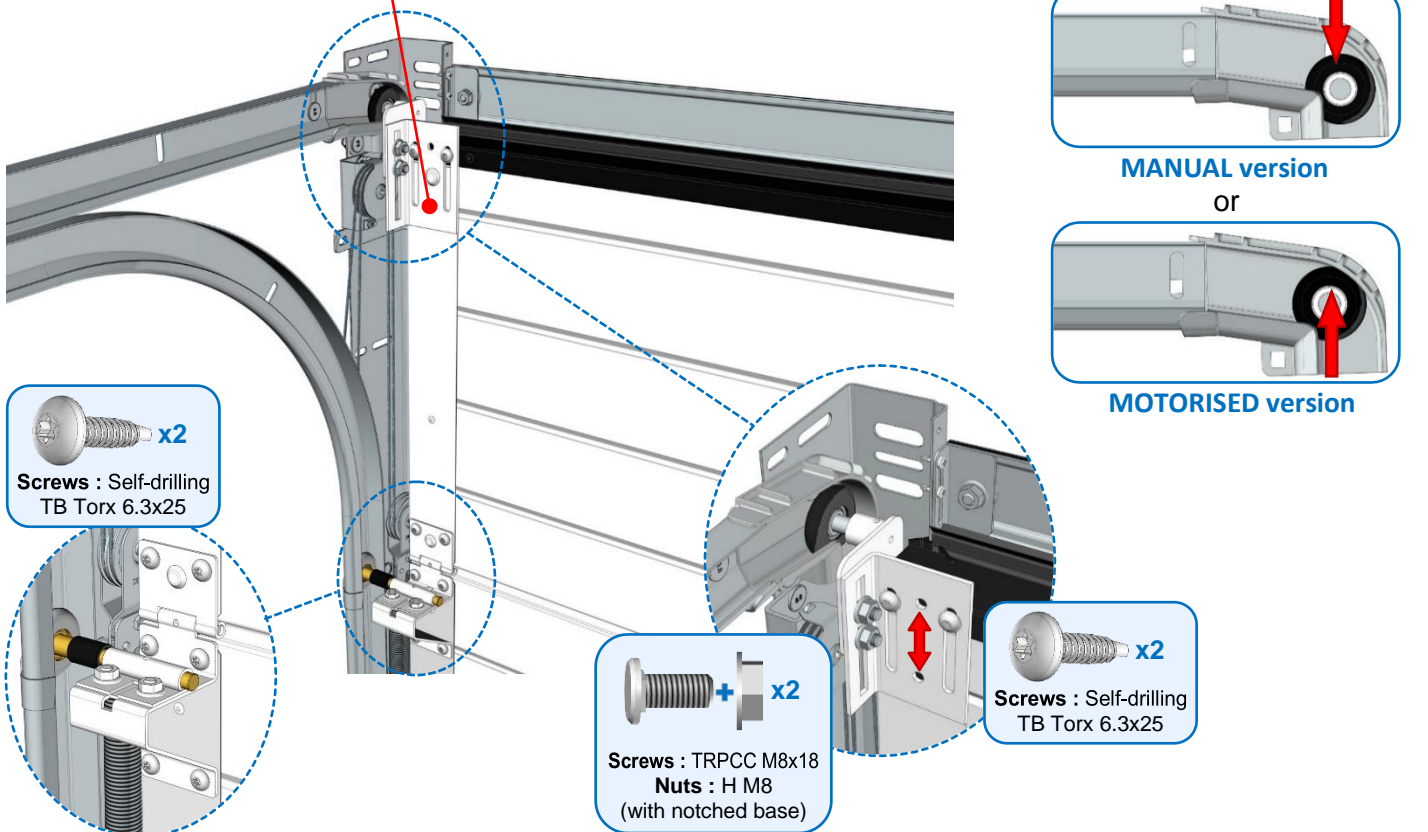


Installing the top panel

IMPORTANT : Remove the transport rivet from the edged column, so that the upper roller support rests on a flat surface (identical process on opposite side).

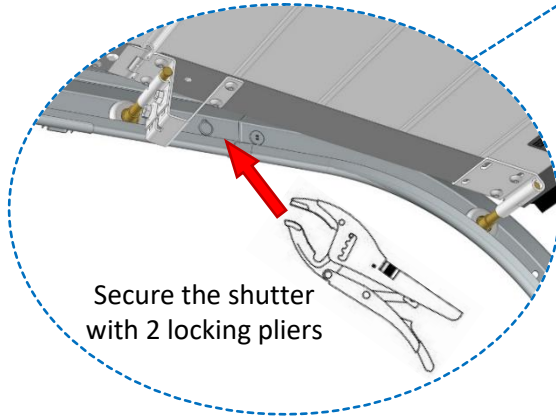
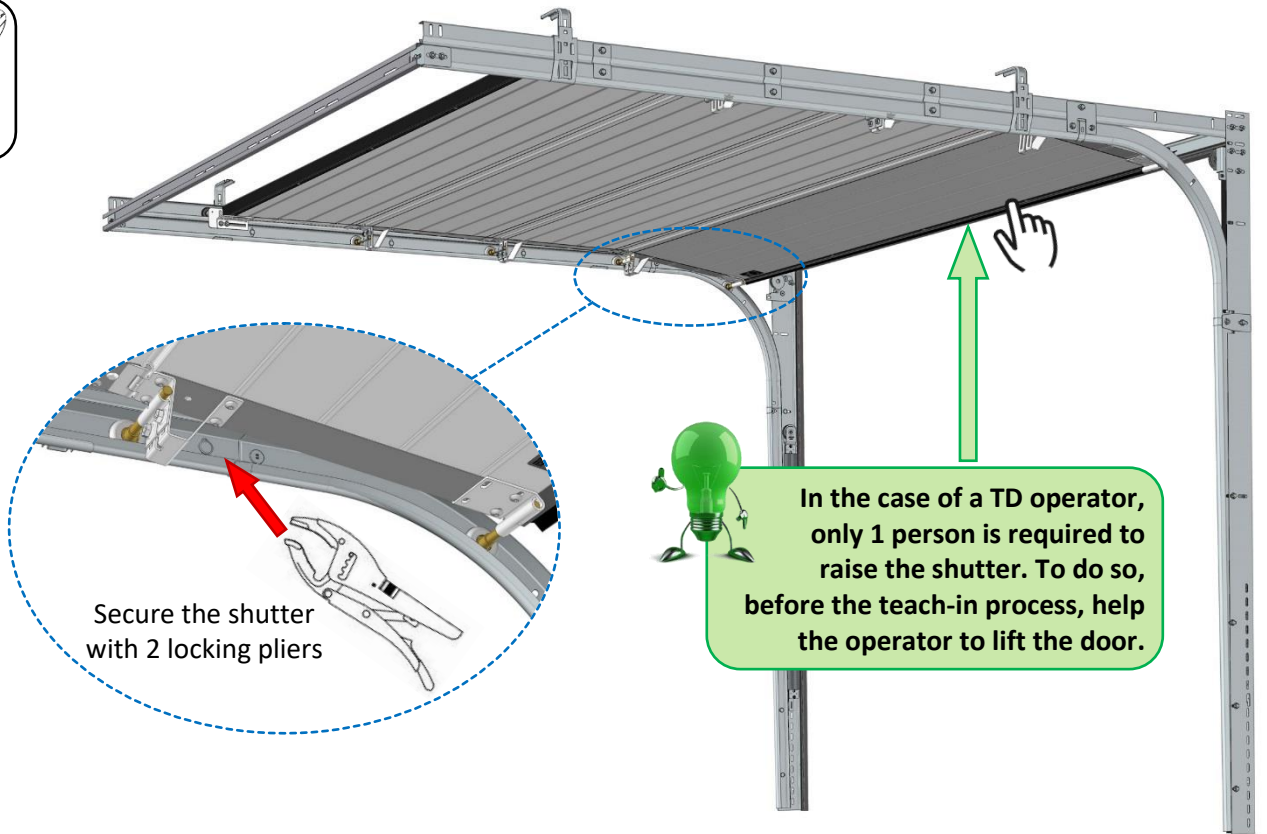


IMPORTANT : Remove the transport rivet from the edged column, so that the upper roller support rests on a flat surface (identical process on opposite side).

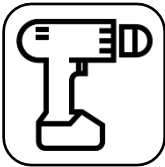


Cable attachment

Opening the shutter



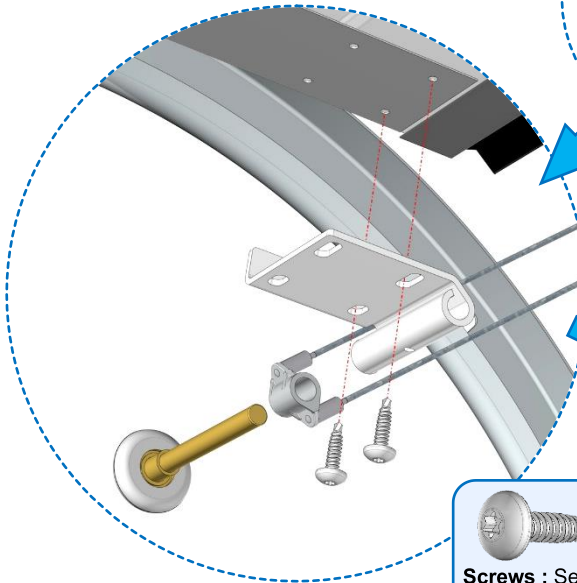
Cable attachment points



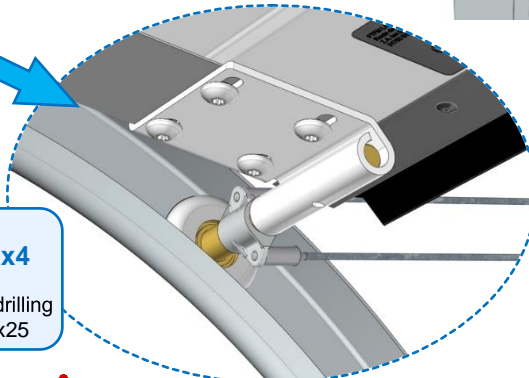
Cut the left side of the cable-clamp



Pass the cable holder over the bottom roller



Raise the assembly



Check that the cables do not cross (parallel cables).

Repeat the process on the opposite side.

Checking the balance



Remove the **locking pliers**.

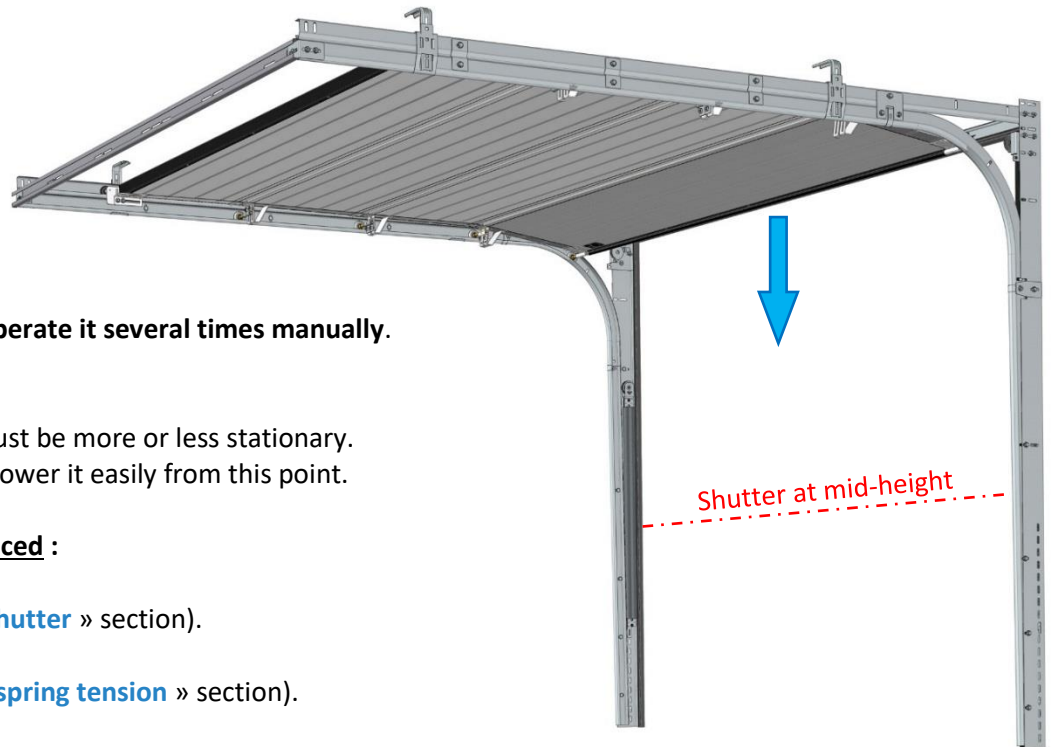
Gently close the shutter and **operate it several times manually**.

The shutter is well-balanced :

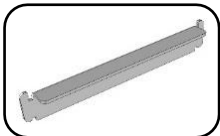
- At mid-height, the shutter must be more or less stationary.
You must be able to raise or lower it easily from this point.

If the shutter is not well-balanced :

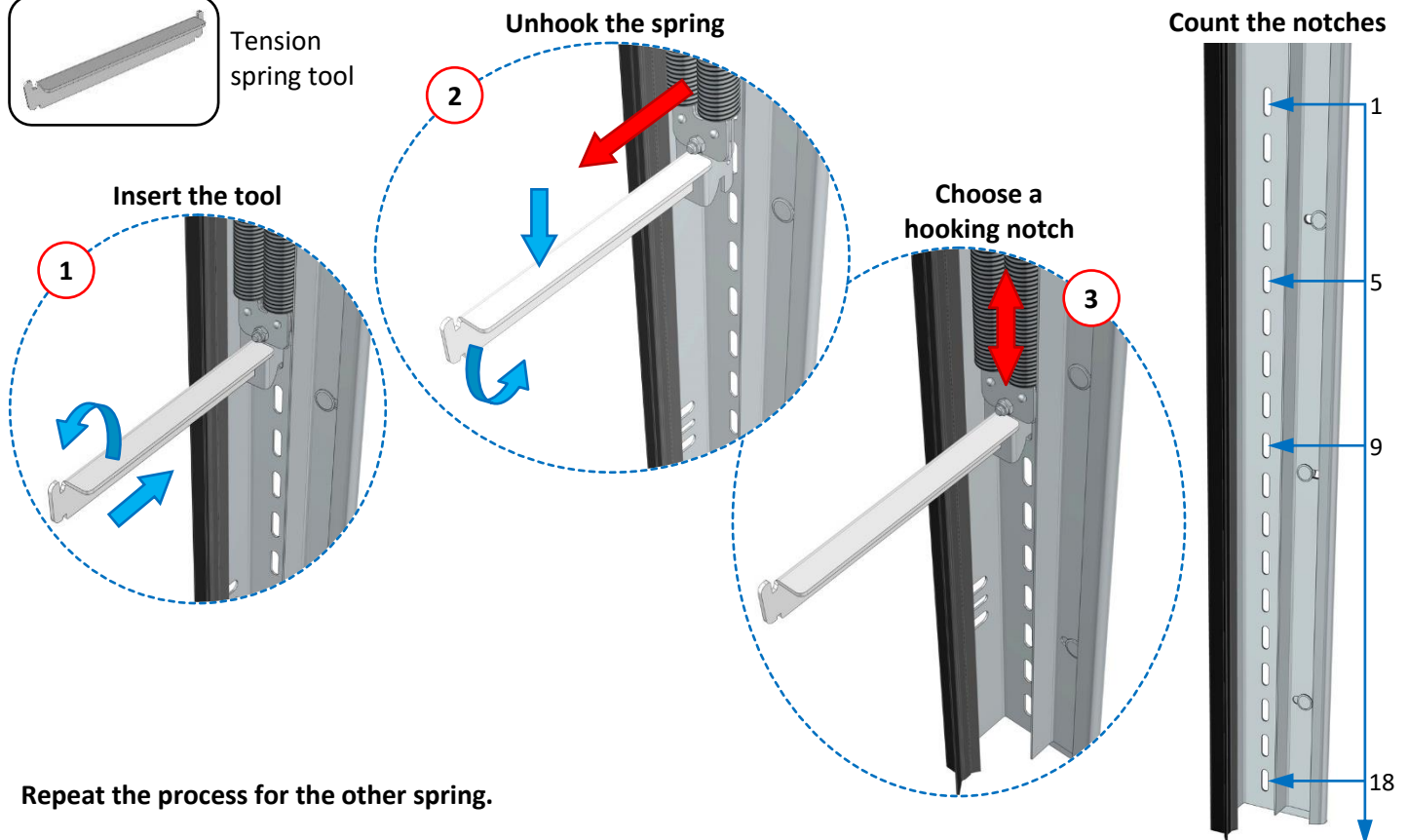
- Raise and secure the shutter (refer to the « **Opening the shutter** » section).
- Tighten or loosen the springs (refer to the « **Adjusting the spring tension** » section).



Adjusting the spring tension



Tension spring tool



Repeat the process for the other spring.

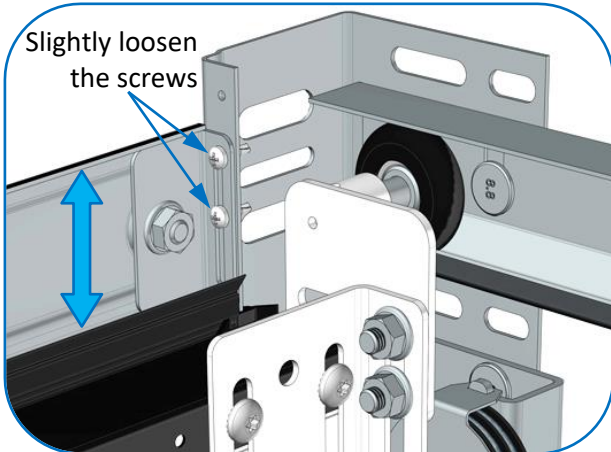
**! Make sure the 2 springs are positioned on the same notch.
Check that the spring hooks are securely fastened to the rails.**

Check the **balance again** : Refer to the « **Checking the balance** » section above.

Finishes

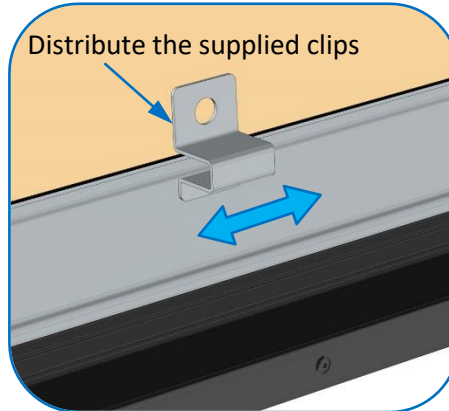
Adjusting and fixing the fascia

Adjusting the fascia

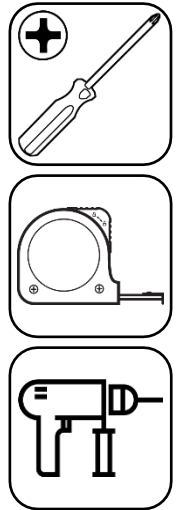


Repeat the process on the opposite side

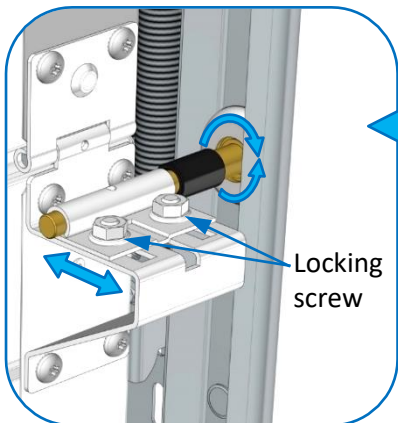
Fixing the fascia (Install after the operator)



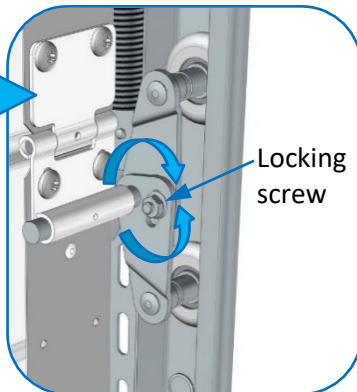
Use appropriate fittings for the support (screws and pins not supplied)



Adjusting the rollers

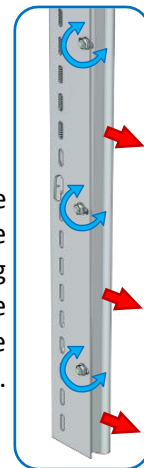


OPTION tandem



OR

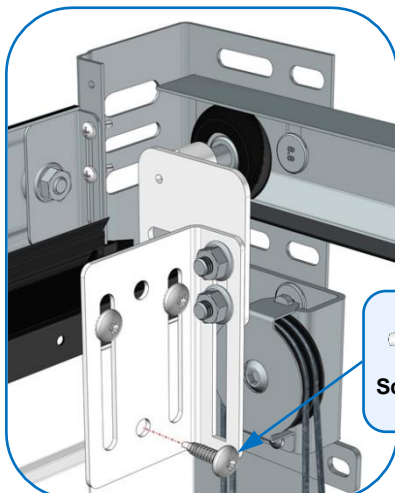
Please note : If the shutter jams at the end of the closing operation, move the bottom of the rails apart slightly.



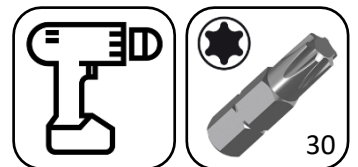
! The roller rod must be able to turn freely.
Do not flatten the vertical seals of the shutter.

Repeat the process for all rollers.

Fixing the upper roller supports

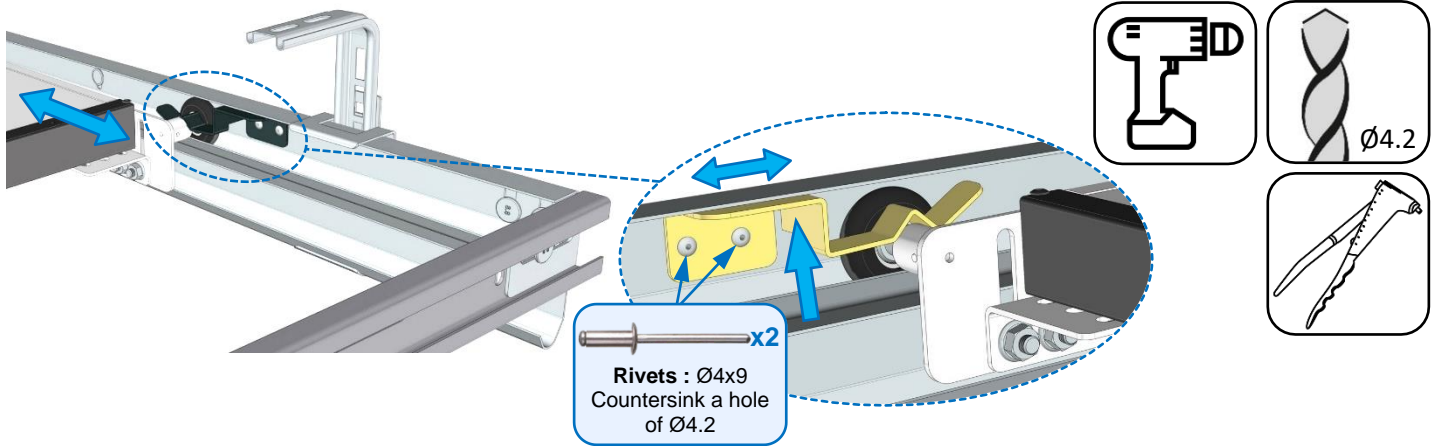


Add



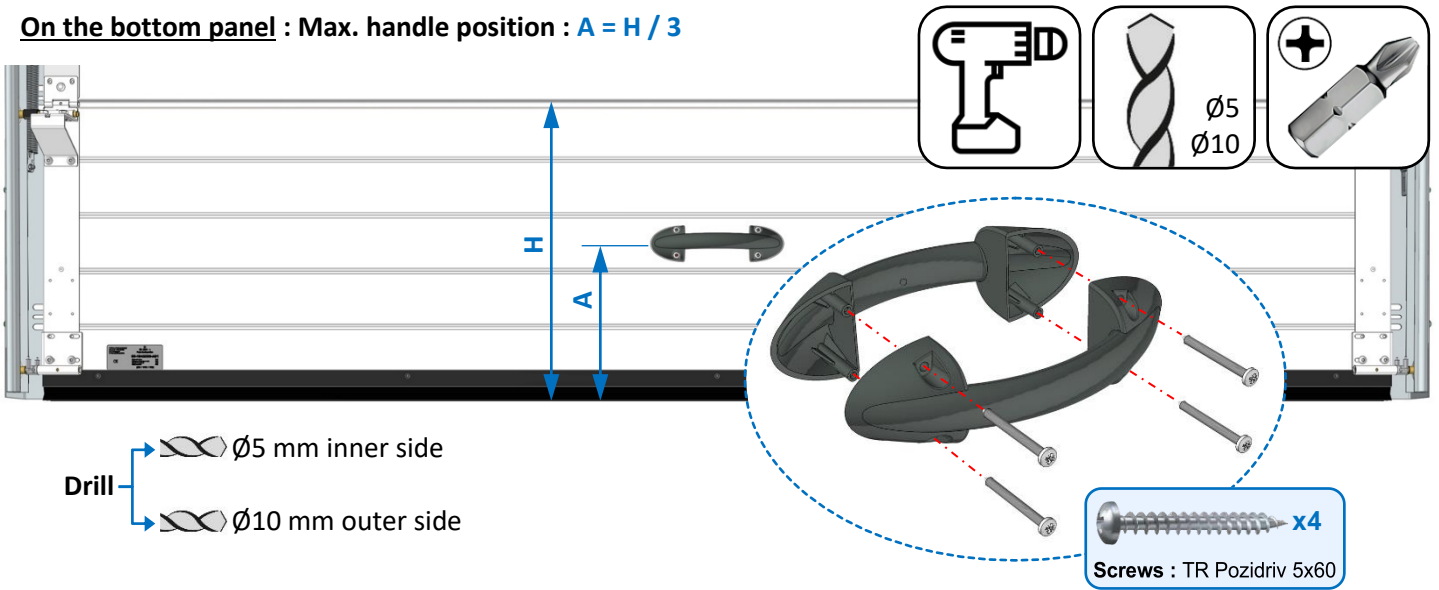
Repeat the process on the opposite side.

Fixing the end position clips (manual door)



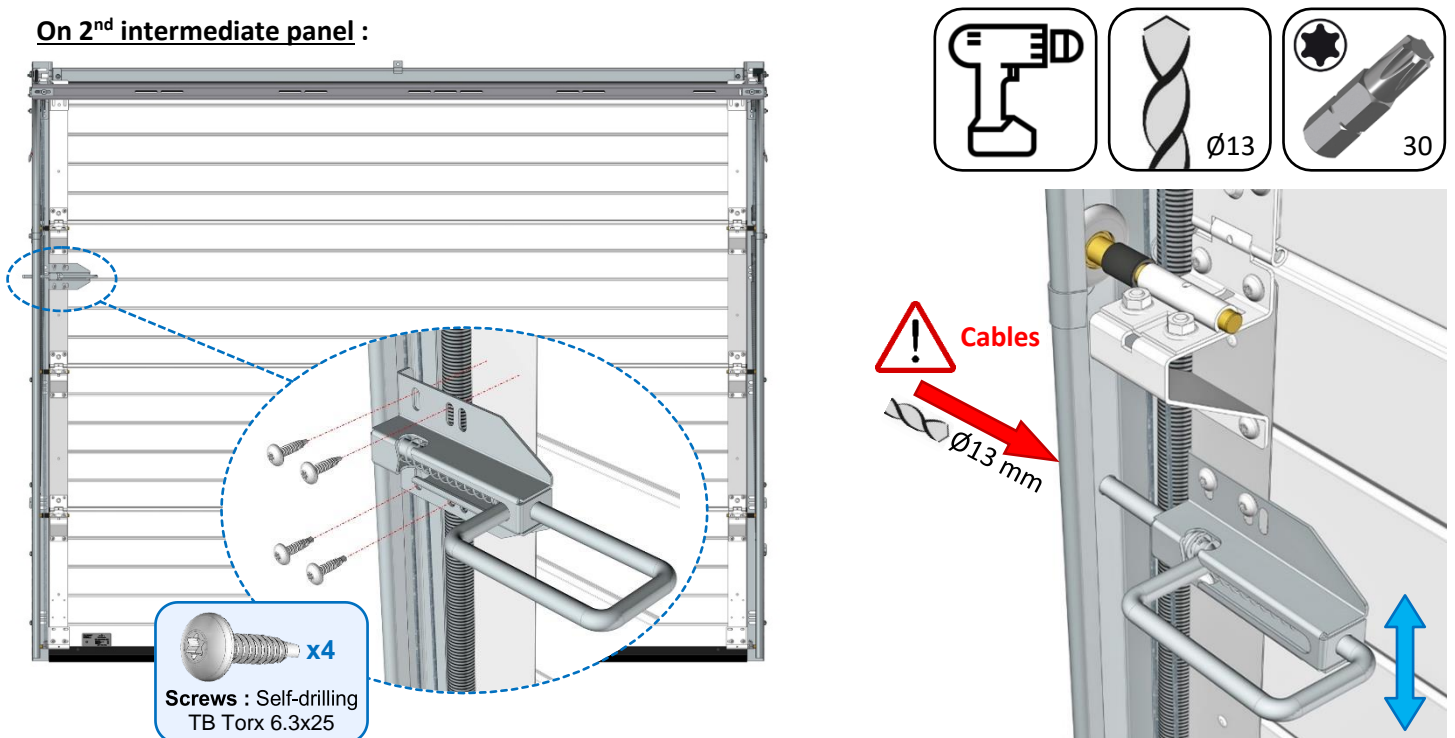
Assembling the handle

On the bottom panel : Max. handle position : $A = H / 3$



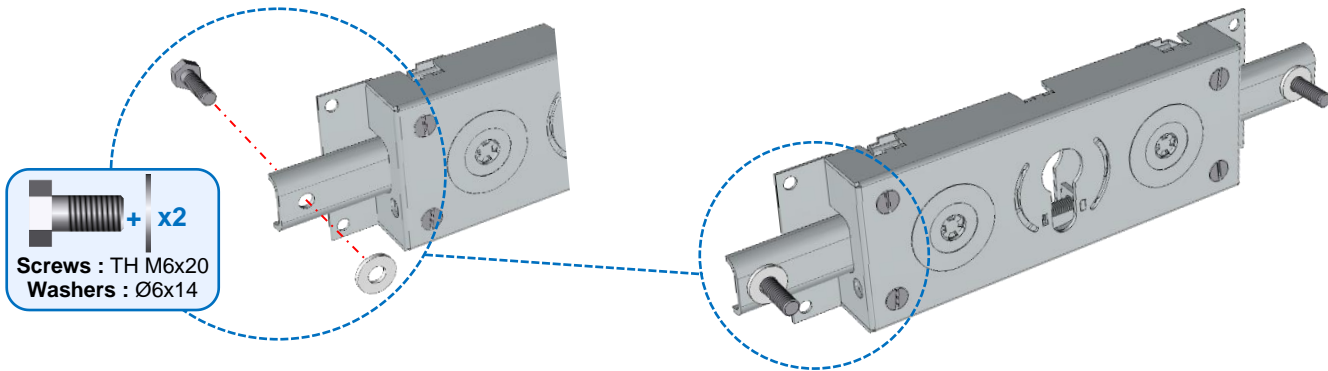
Assembling the latch (optional on motorised doors)

On 2nd intermediate panel :

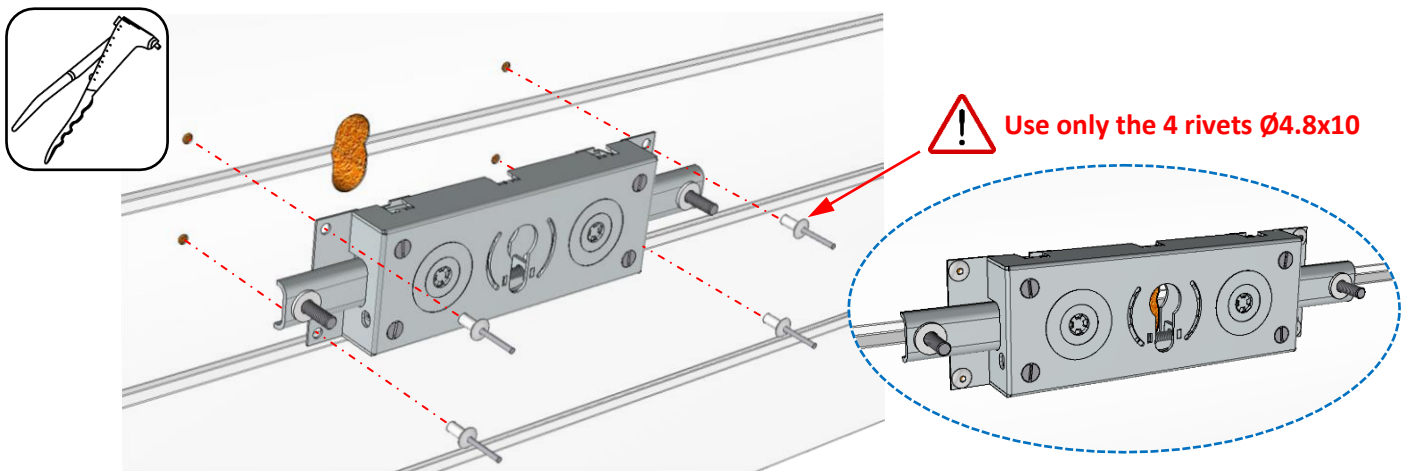


Installing the lock (optional on motorised and manual doors)

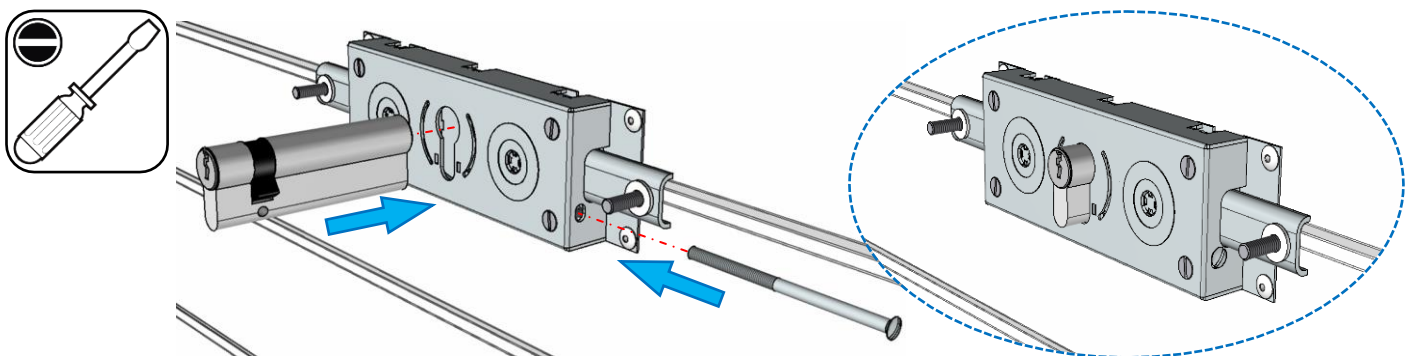
Prepare the lock :



Fixing the lock :

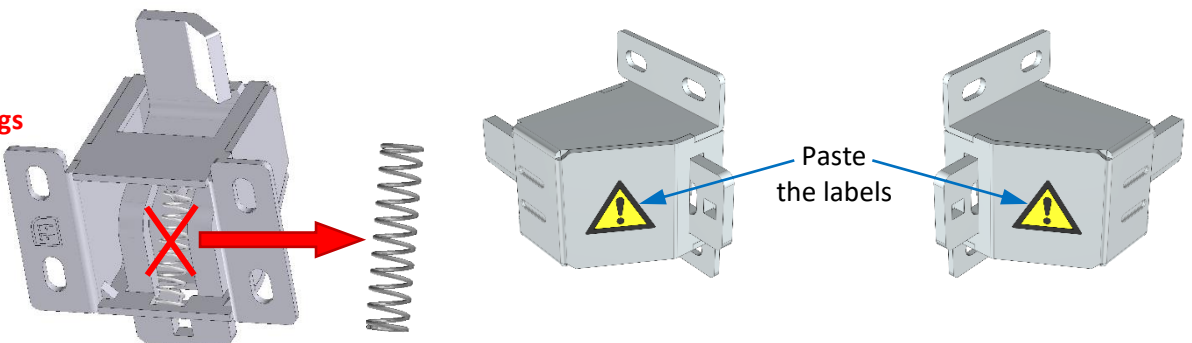


Assembling the cylinder :

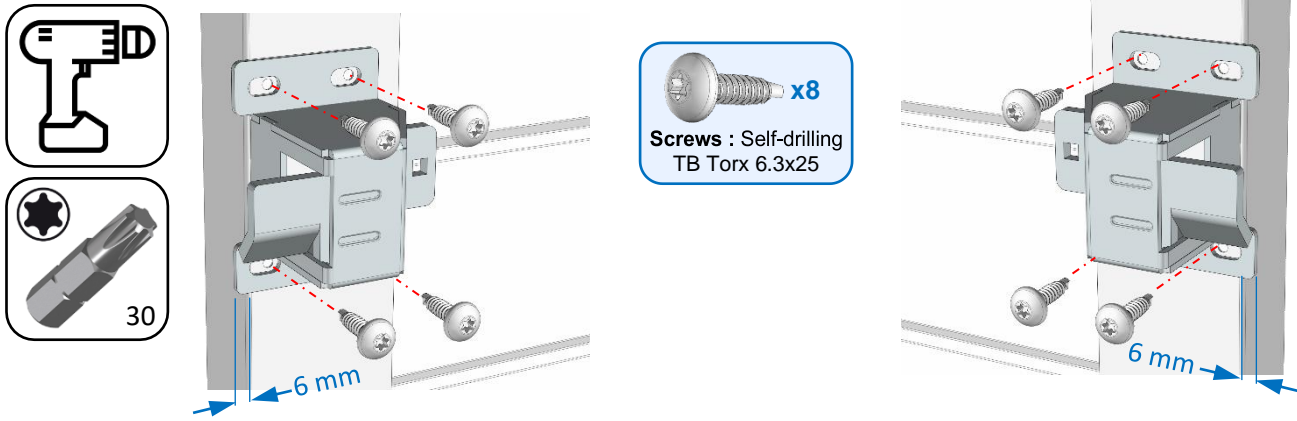


Preparing the latches (left and right) :

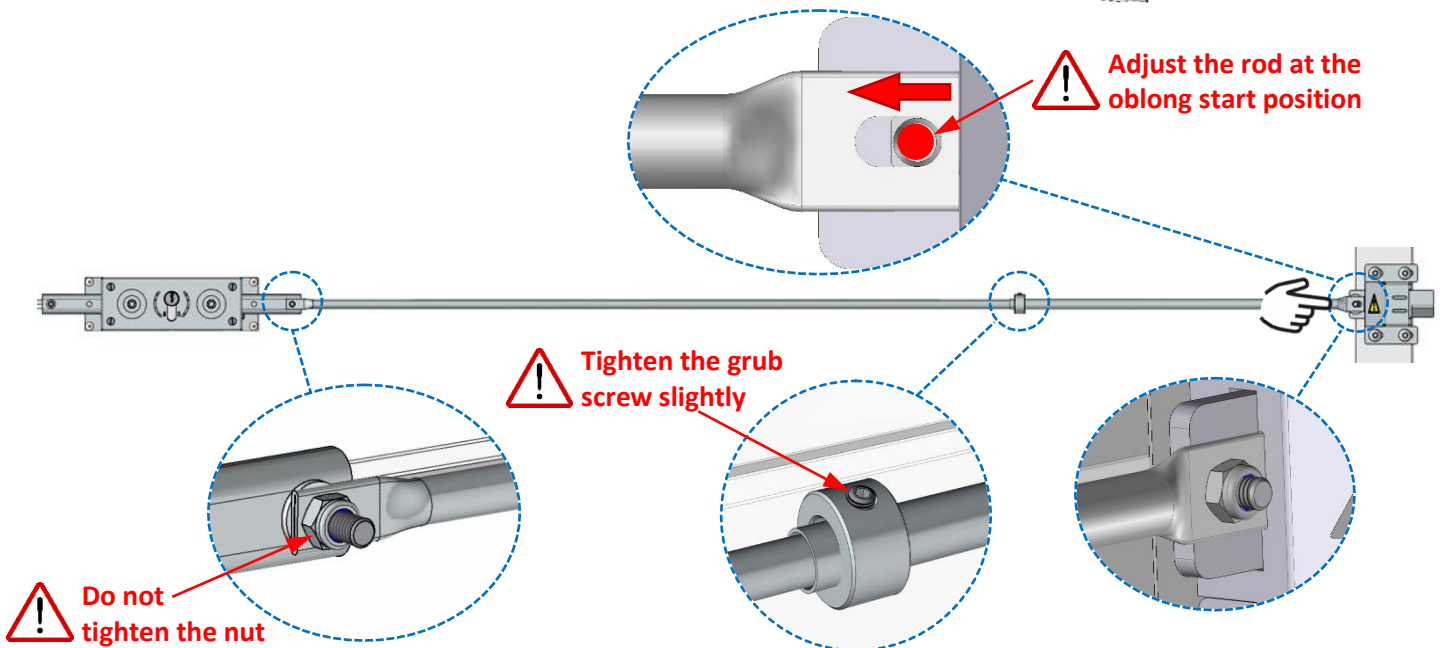
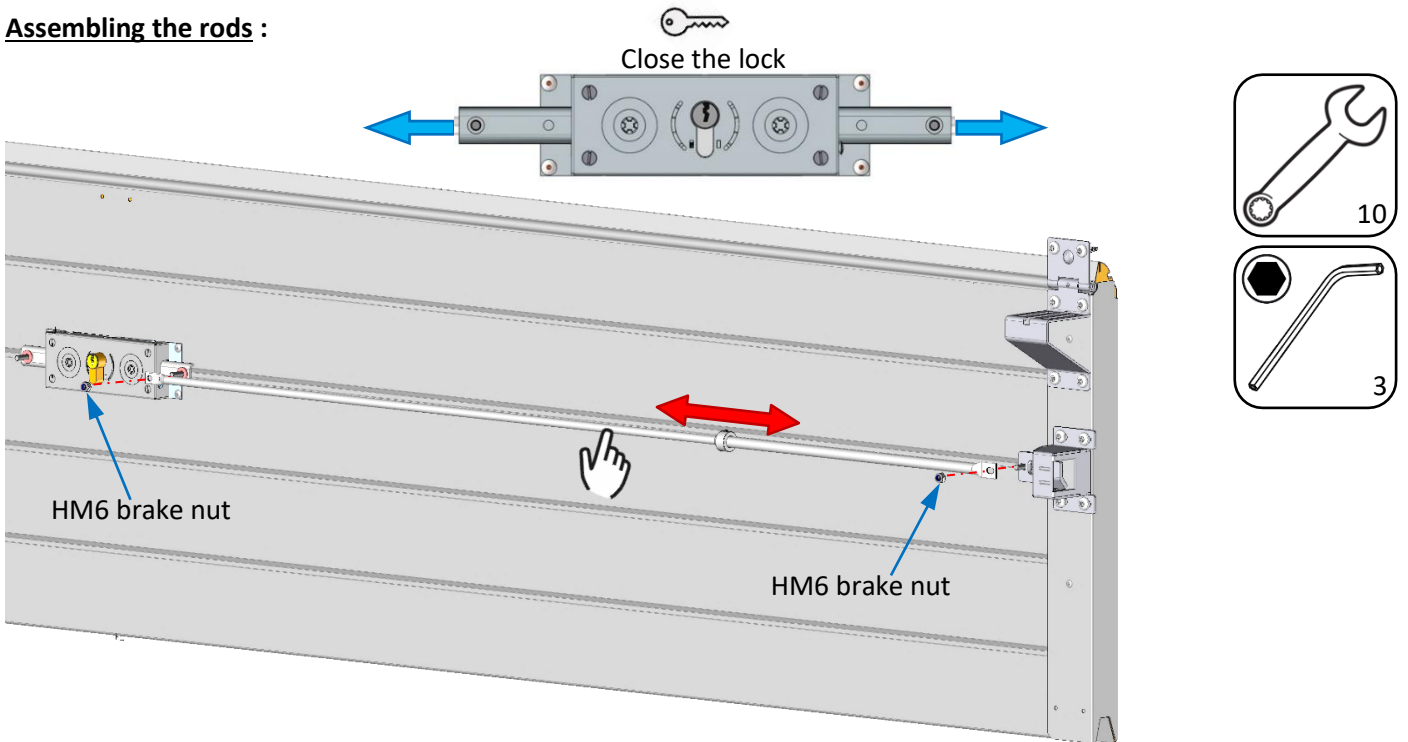
IMPORTANT
Remove the springs from the left and right bolts



Assembling the latches (left and right) :

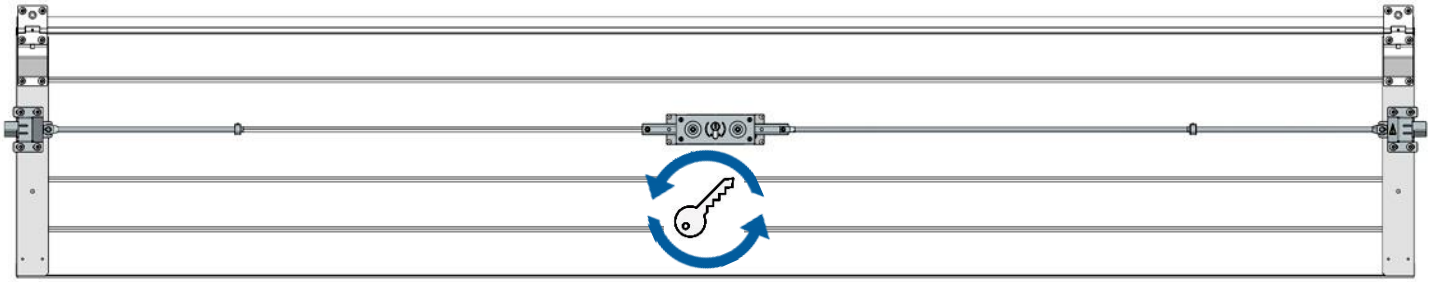


Assembling the rods :



Repeat the procedure for the second rod.

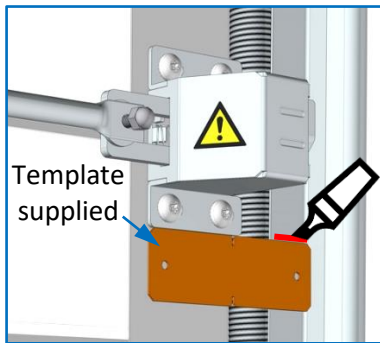
Checking the lock :



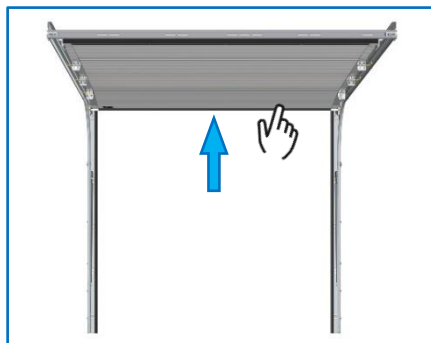
If necessary, return to the « **Assembling the rods** » section.

Positioning the strike plates :

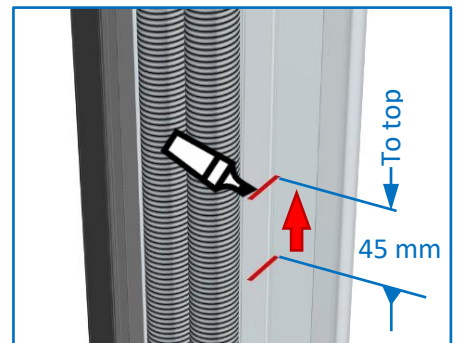
1- Mark out (on the 2 latches)



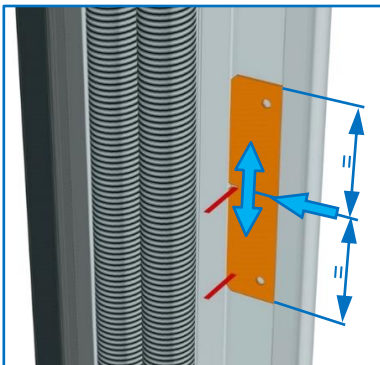
2- Open the shutter



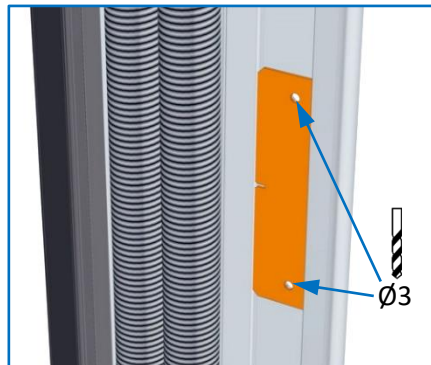
3- Offset the marking



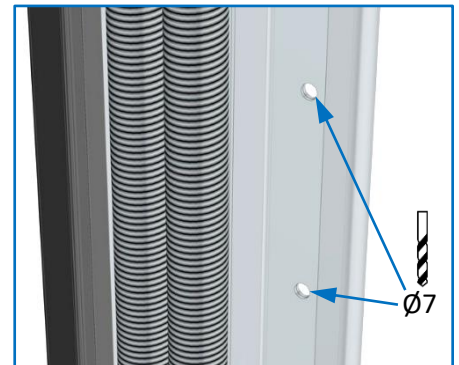
4- Position the template



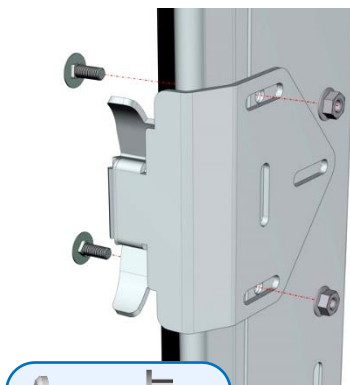
5- Mark out the drill holes



6- Drill the holes



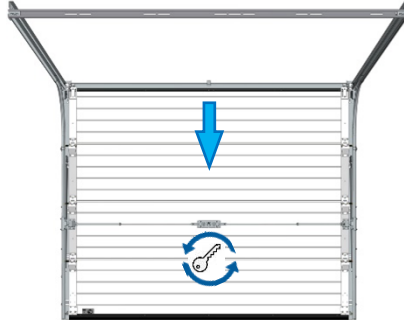
Fixing the strike plates :



Screws : TRPCC M6x16
Nuts : H M6
(with notched base)

Do not fully tighten the nuts

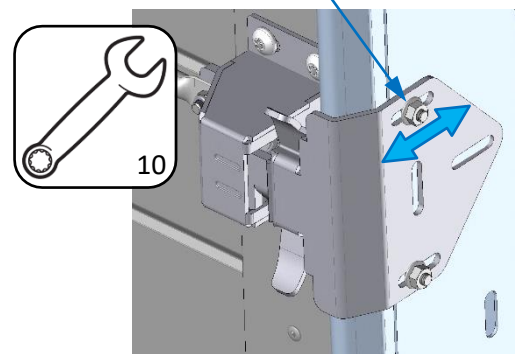
Close the shutter



Close the lock

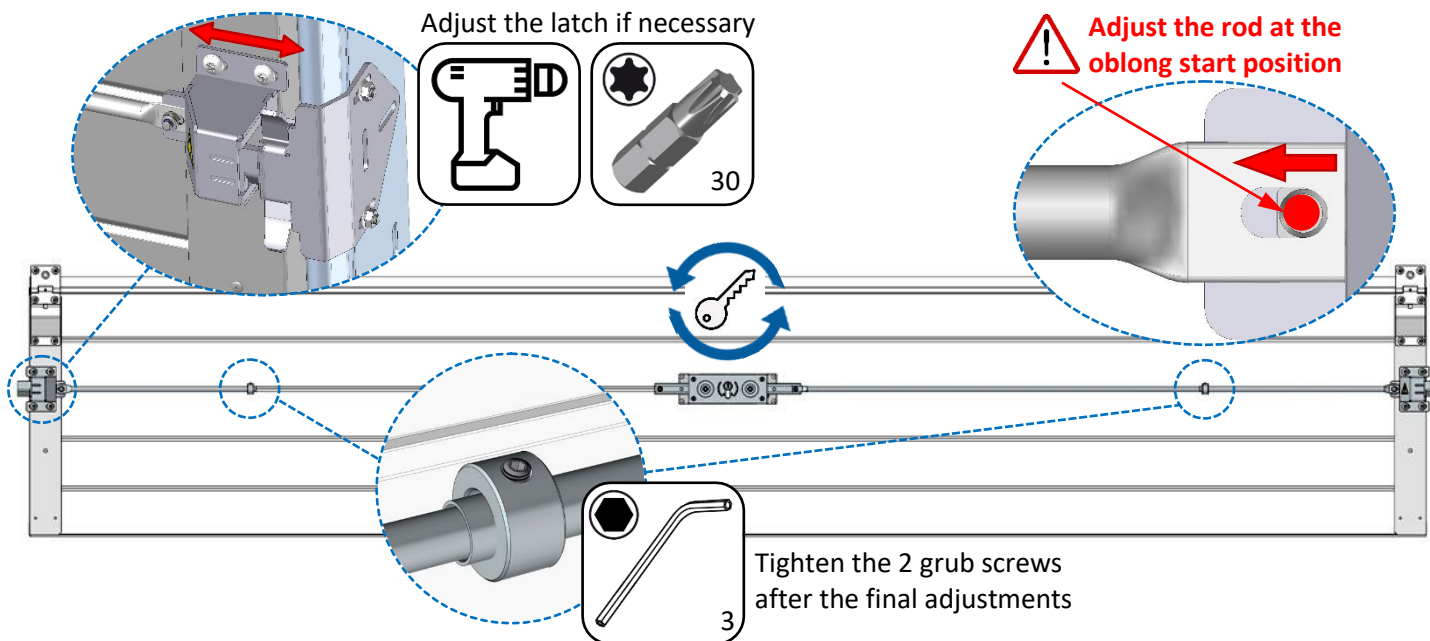
Adjust the strike plates

Tighten the nuts after adjusting

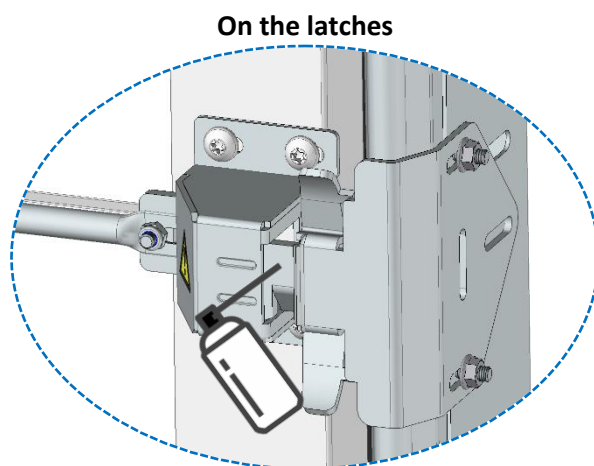
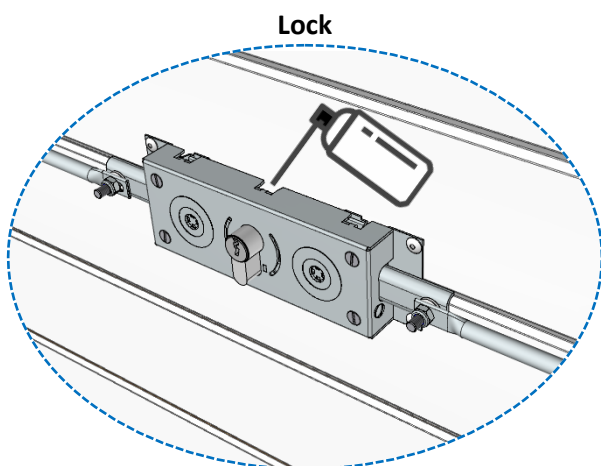


Allow some play between the strike plate and the latch

Checking the lock :



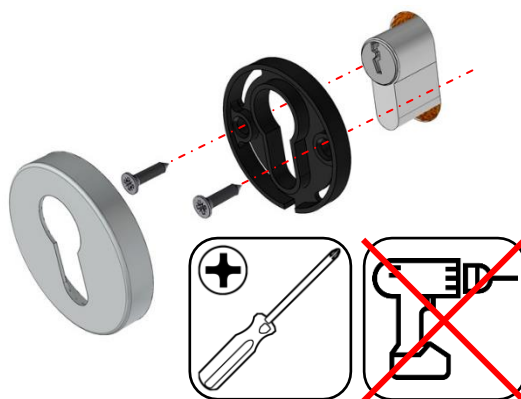
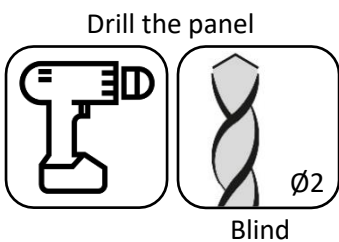
Lightly grease the lock and the 2 latches :



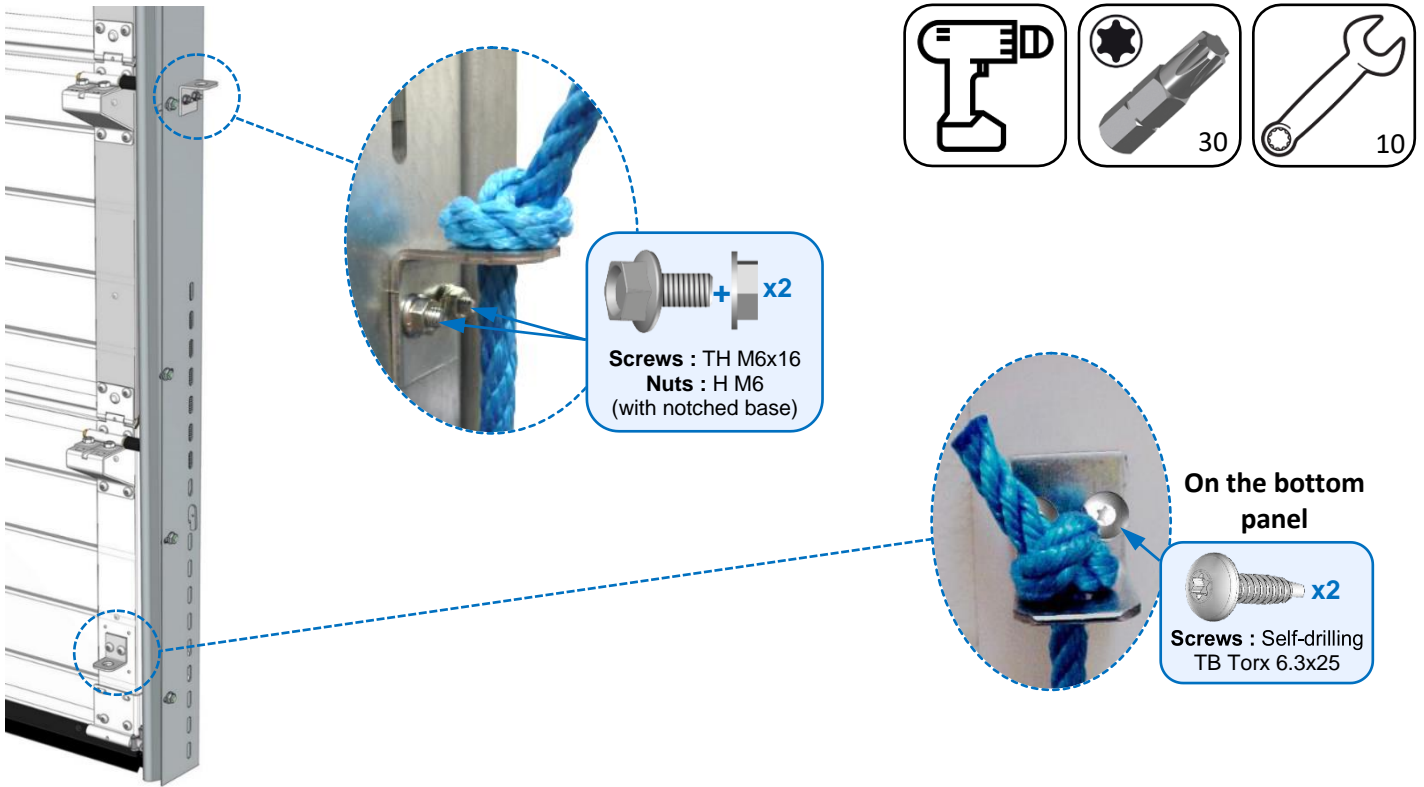
IMPORTANT :

If you feel a rough spot, check the installation of the latches, rods and strike plates.

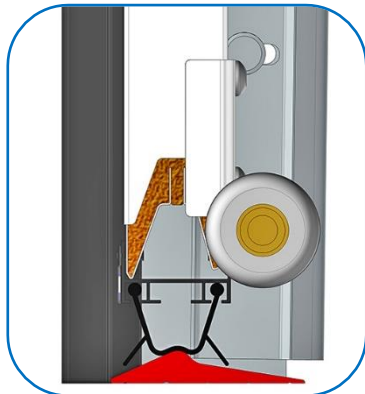
Fixing the cover plate :



Installing the pull cord (if manual door)



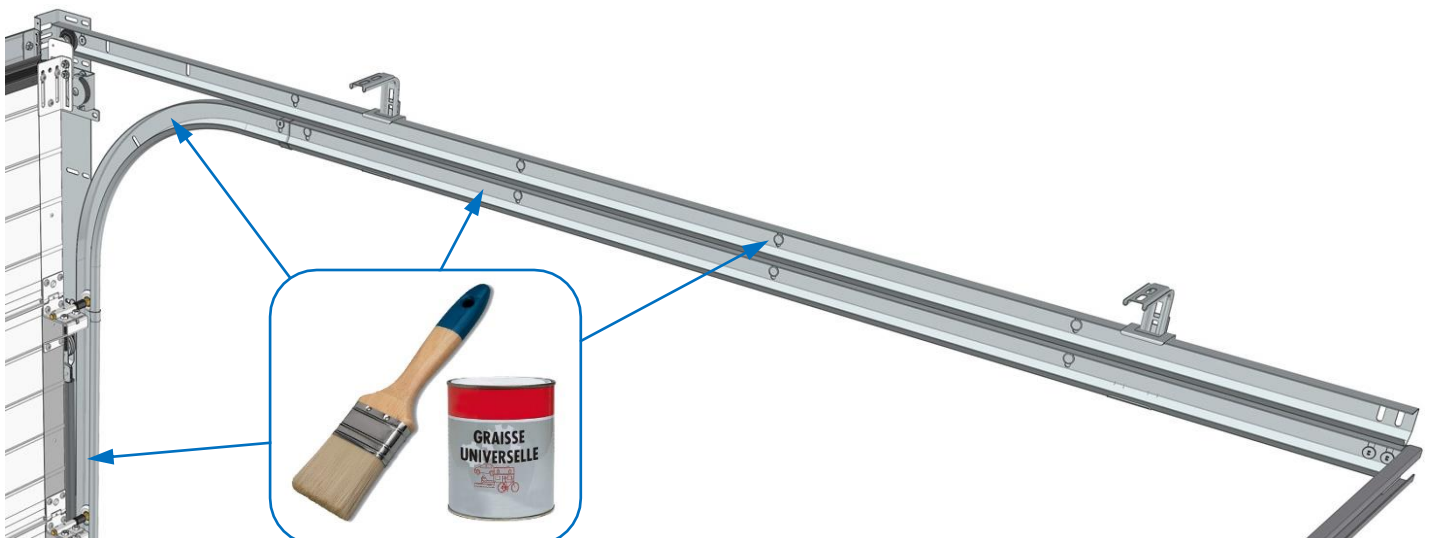
Weather seal (optional)



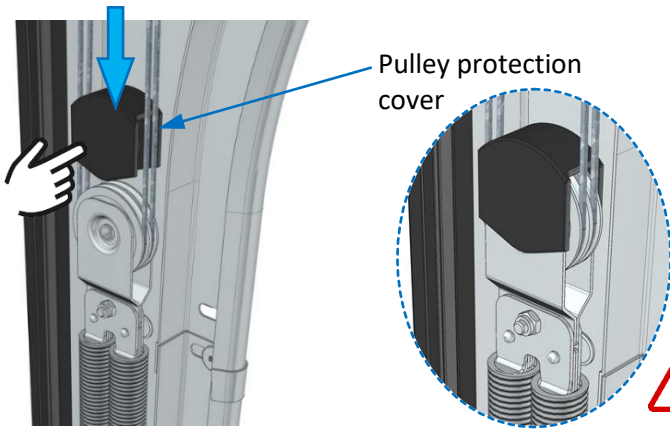
Weather seal section to be glued to the floor between the rails.

Refer to manual : Weather seal.

Greasing the bottom of the rails



Assembling the spring pulley covers

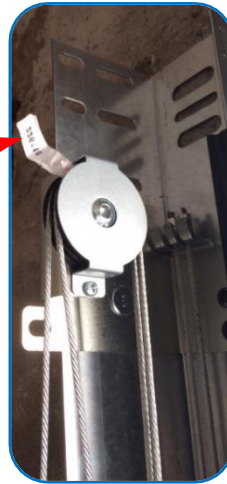


Pulley covers are not supplied, if the rails are equipped with the protection cover option.

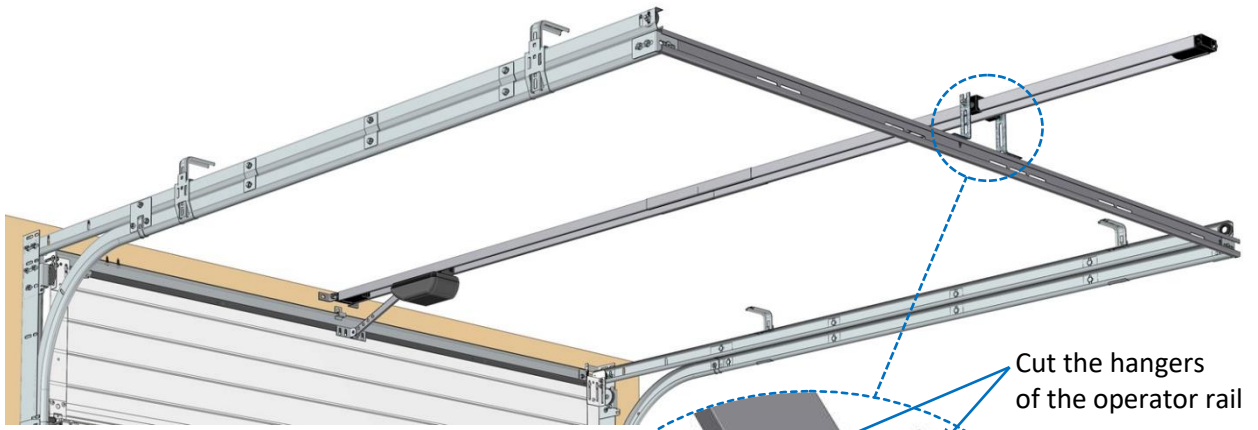
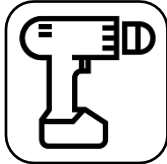
Cable labels



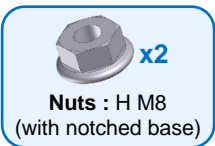
Remove the cable labels



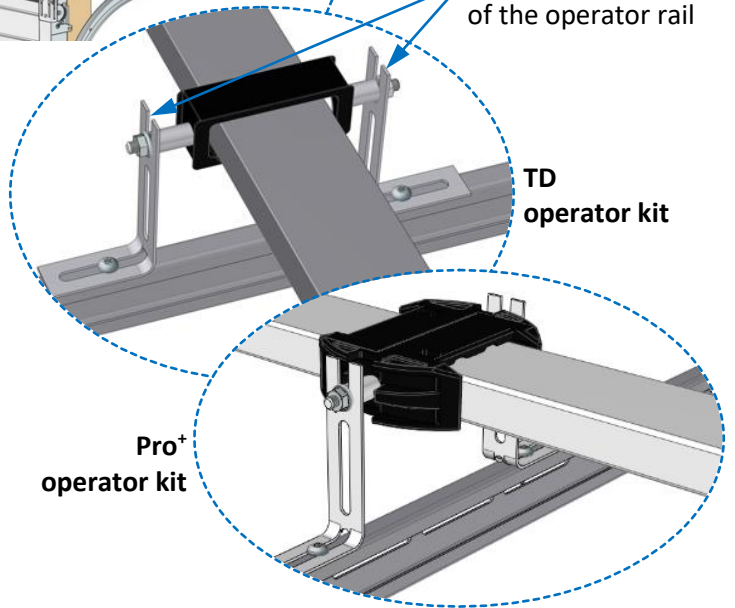
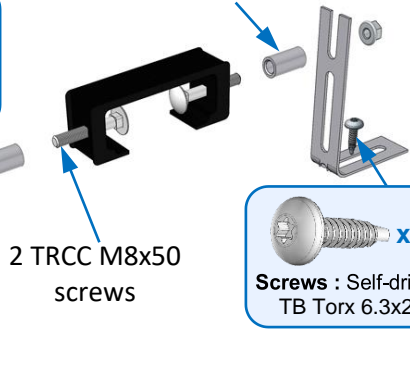
Fixing the « SOMMER » operator to the back bar



Cut the hangers of the operator rail



2 spacers



TD operator kit

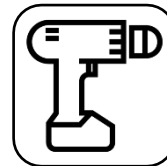
Pro+ operator kit



This fastening kit is compatible exclusively with all « SOMMER » operators.

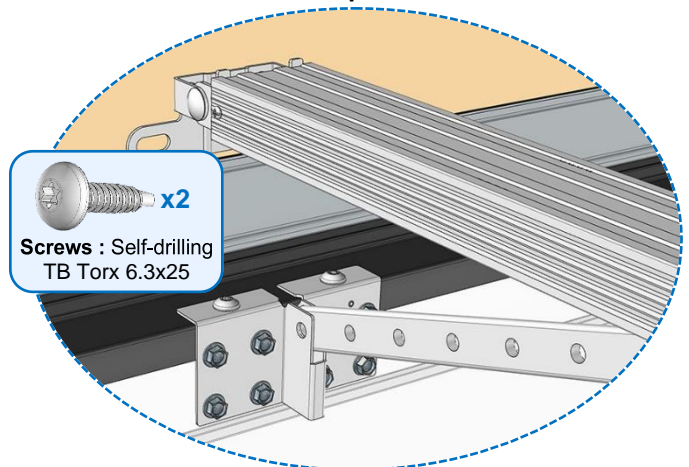
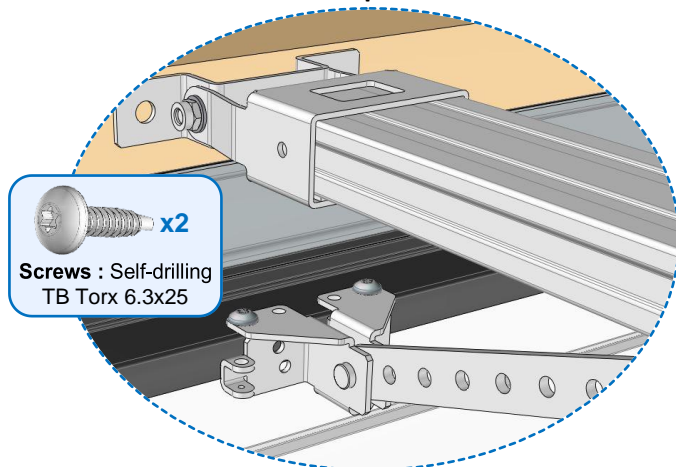
Fixing the FAAC and CAMÉ operators on the shutter

Securing the attachment
(screws supplied in repair kit)



FAAC operator

CAMÉ operator



FAAC operator (ref. DOLPHIN)

Min. OH	100 mm
Max. OH	720 mm
Opening	3,380 mm

CAMÉ operator (ref. K01MV-005)

Min. OH	125 mm
Max. OH	600 mm
Opening	3,230 mm

CAMÉ operator (ref. V6000)

Min. OH	125 mm
Max. OH	600 mm
Opening	3,175 mm