

Manual No. 7083

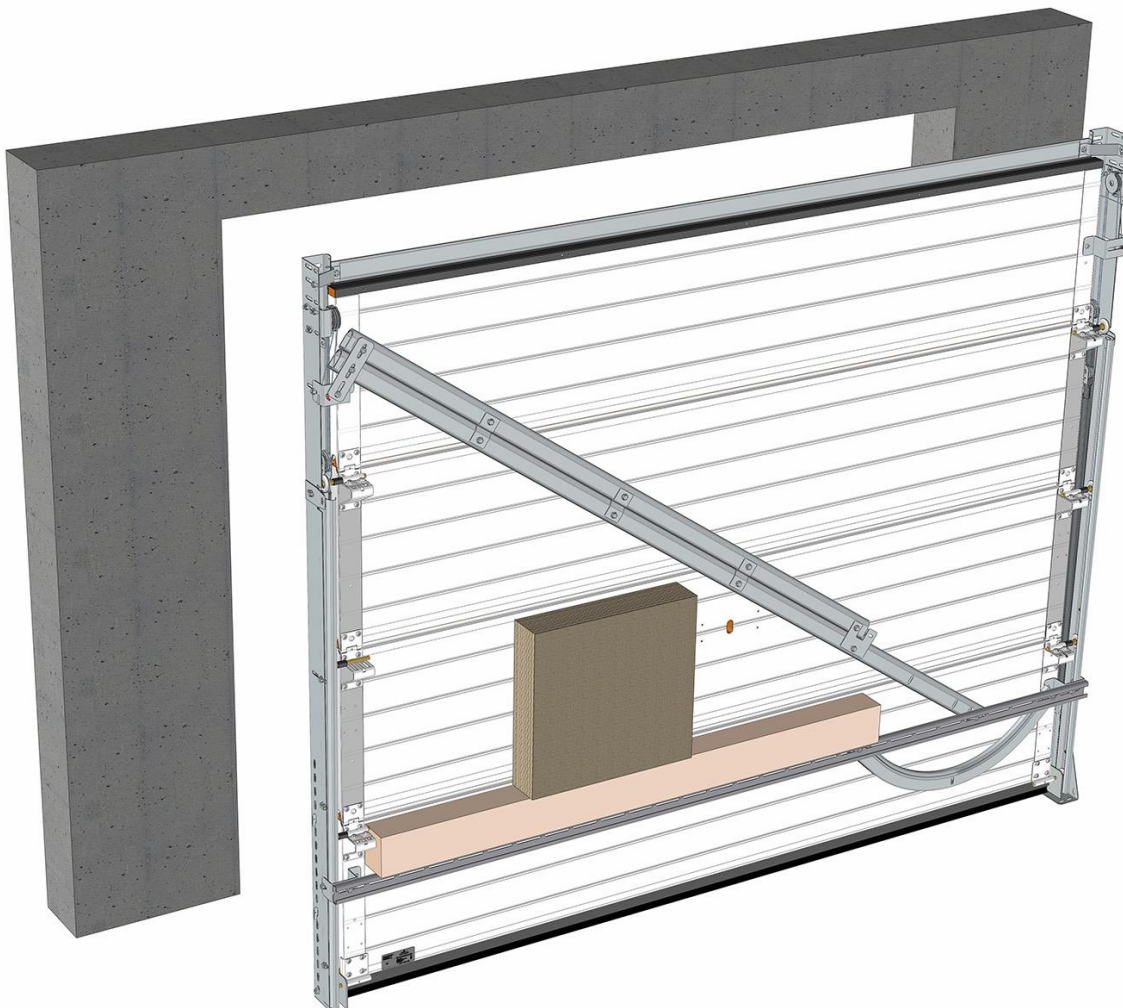
07/24

INSTALLATION

Residential garage doors Manual or Motorised



**PRE-ASSEMBLED
RE100**
(Extension Springs)



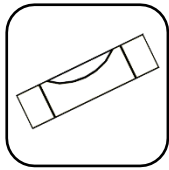
(Document reserved for installers)

Contents

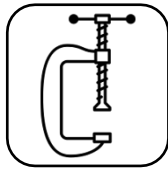
Before installation	3
Required equipment.....	3
Installation instruction.....	4
Kit contents for each door configuration/option	5
Kits for MOTORISED and MANUAL doors.....	5
Kits for MOTORISED doors.....	6
Kits for MANUAL doors.....	6
Pre-assembly installation	7
Preparing the pre-assembly	7
Checking the bay	7
Layout of the frame	8
Fixing the vertical rails.....	8
Horizontal rail installation	9
Assembling the stops (motorised doors).....	9
Assembling the curves.....	9
Disassembling the parts used for transport	10
Assembling the 1 st horizontal rail	11
Assembling the 1 st upper roller	13
Disassembling the 2 nd Rail/Shutter connecting lug.....	14
Assembling the 2 nd horizontal rail	14
Installing the 2 nd upper roller	15
Disassembling the back bar	15
Assembling the back bar brackets.....	16
Installing the back bar	16
Installing the hangers	17
Back bar extension (option).....	17
Checking the diagonals.....	18
Cable attachment	19
Opening the shutter	19
Cable attachment points	19
Vertical rail finalization.....	20
Fixing the rails.....	20
Lower the shutter	20
Adjustments.....	21
Adjusting and fixing the fascia.....	21
Adjusting the rollers	21
Balance	22
Checking the balance.....	22
Adjusting the spring tension.....	22
Finishes	23
Fixing the end position clips (manual door)	23
Assembling the handle	23
Assembling the latch (optional on motorised doors).....	23
Installing the lock (optional on motorised and manual doors)	24
Installing the pull cord (if manual door)	28
Weather seal (optional).....	28
Greasing the bottom of the rails	28
Assembling the spring pulley covers	29
Cable labels.....	29
Fixing the « SOMMER » operator to the back bar.....	30
Fixing the FAAC and CAMÉ operators on the shutter	30

Before installation

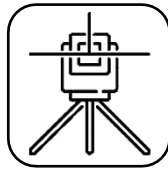
Required equipment



Spirit level



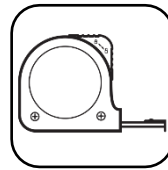
Clamps



Laser level



Plumb bob



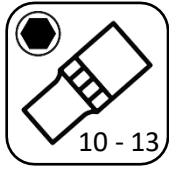
Tape measure



Utility knife



Electric screwdriver



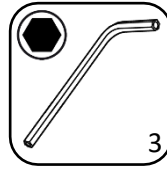
Sockets
10 - 13



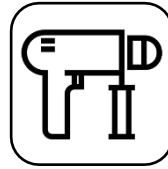
Cruciform bit



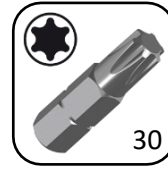
Flat wrench
10 - 13



Allen key
3



Perforator



Torx bit
30



Ladder



Phillips screwdriver



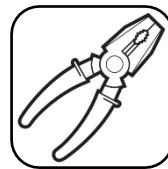
Flat screwdriver



Pencil



Grinder



Combination pliers



Cutting pliers



Locking pliers



Steel drill bit
Ø2-4.2-4.5-10-13



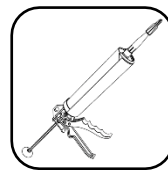
Hammer



Rivet gun



Hacksaw



Silicone sealant



Brush



Pot of grease



Grease spray

Installation instruction



CAUTION !



To ensure that this product is assembled,
used and maintained in complete safety,
it is important to follow the instructions provided in this document.

For everyone's safety, please adhere to the
precautionary measures below.

- Before beginning the assembly, read this manual carefully.
- This closure must be installed by a professional technician.
- All the parts delivered are specifically sized for this product.
Adding and/or using other parts may be detrimental to safety and may affect the product's warranty.
- Any modification or improvement of this closure must be compliant with the standard BS EN 13241:2003+A2:2016.
In this case, a "modification/transformation" file must be created by the installer as per the standard BS EN 12635:2002+A1:2008 annex C.
- Considerable force is exerted by the extension springs ; carry out work in accordance with the safety instructions.
Use the appropriate tools to install these products. Ensure that all work is carried out on a stable floor.
- Ensure that the assembly area is adequately lit, clear, clean and clearly marked out.
- Ensure that no other people are present at the assembly site apart from the installers.
Non-authorized persons (children for example !) who are present at the site risk injury during assembly.
- All the components of this closure must be installed in compliance with the installation instructions provided in this manual.
- All the requirements of the standards BS EN 13241:2003+A2:2016 must be met and verified if necessary.

Max. tightening torque :

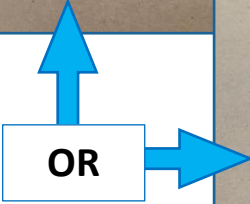
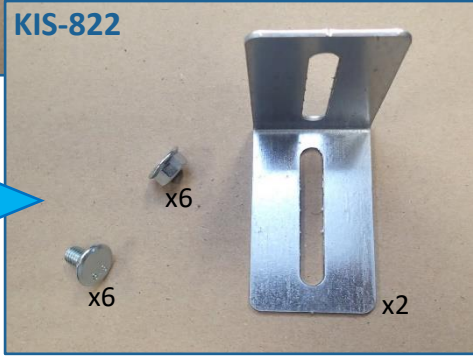
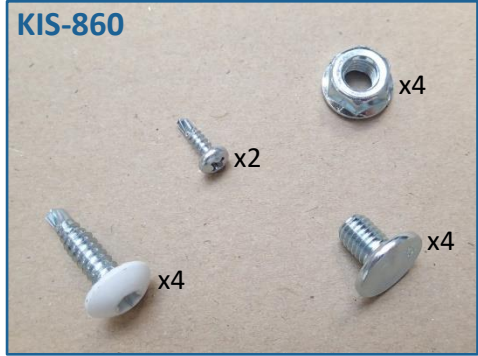
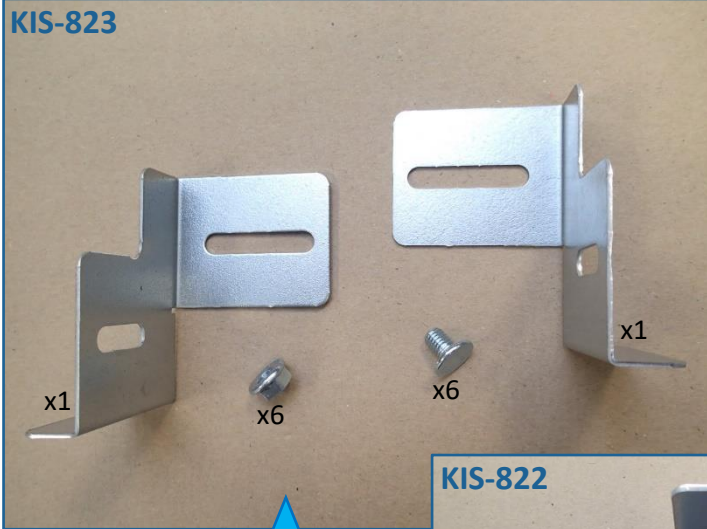
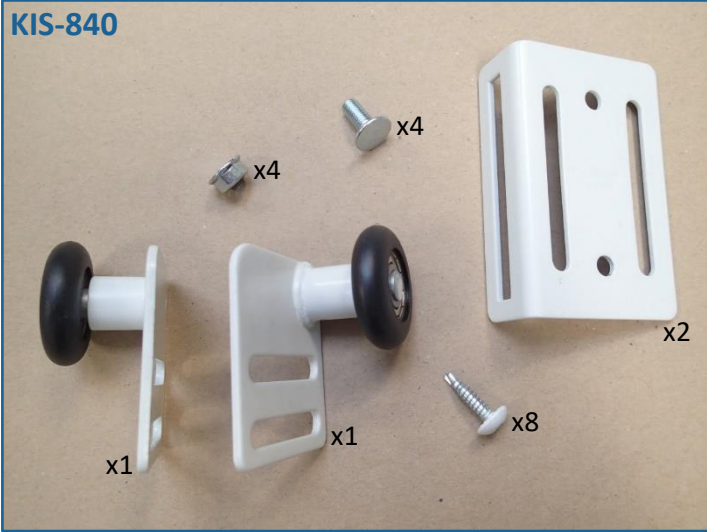
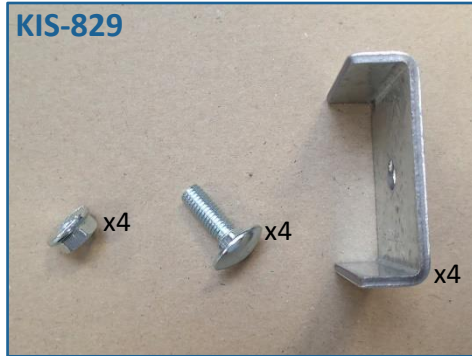
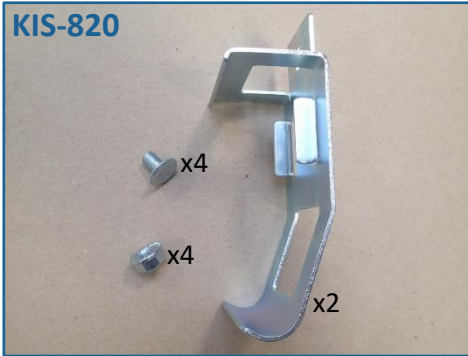
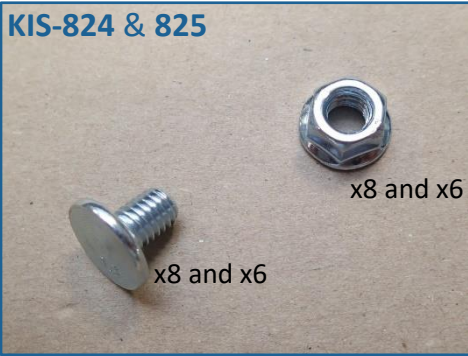
- Assembly screws : **10 Nm**
- Shutter mounting screws : **12 Nm**

Min. working load per attachment point :

- Rails : **40 daN**

Kit contents for each door configuration/option

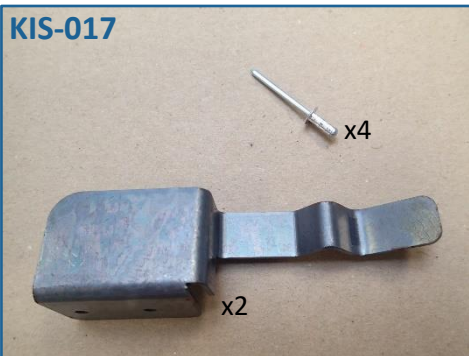
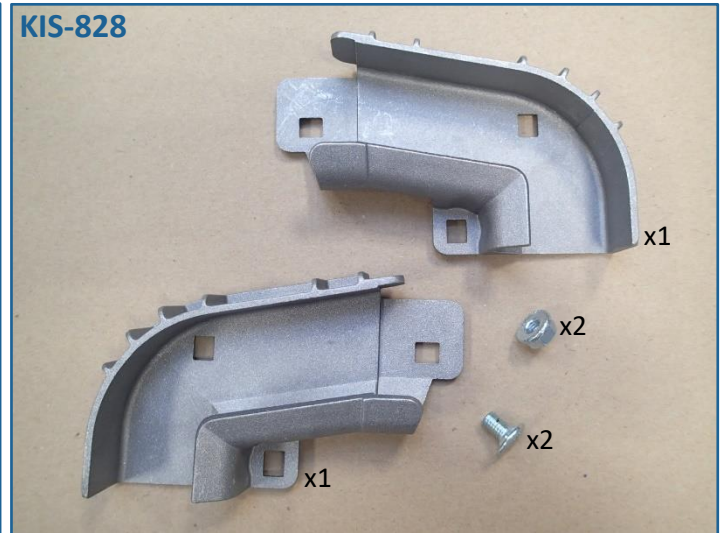
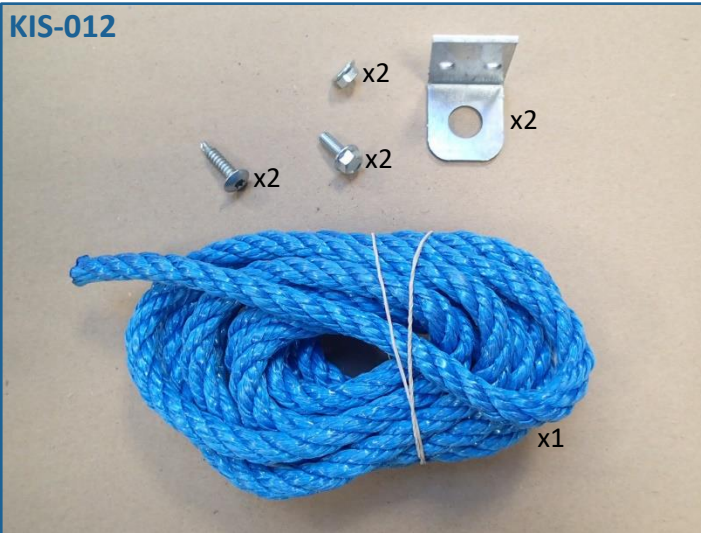
Kits for MOTORISED and MANUAL doors



Kits for MOTORISED doors



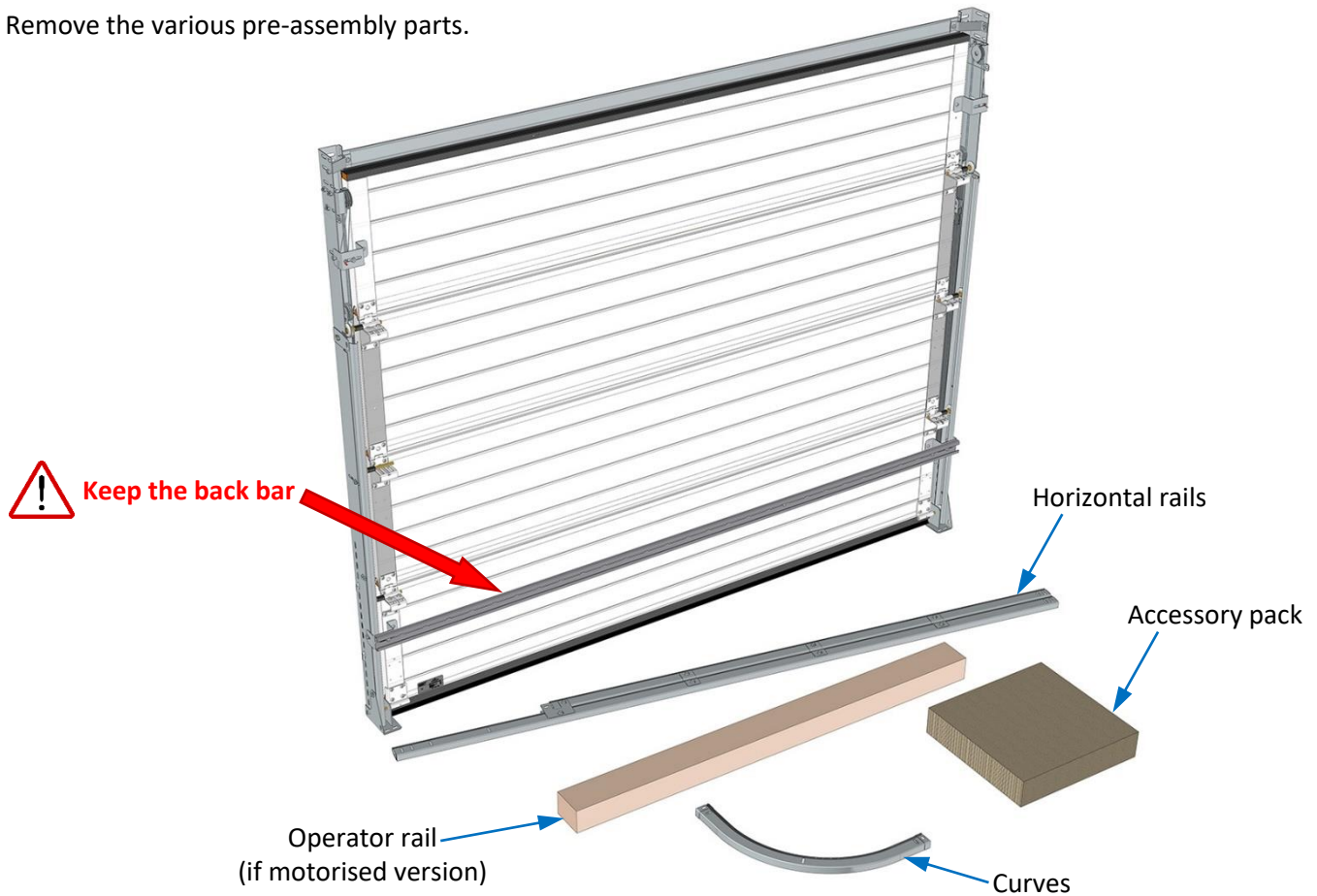
Kits for MANUAL doors



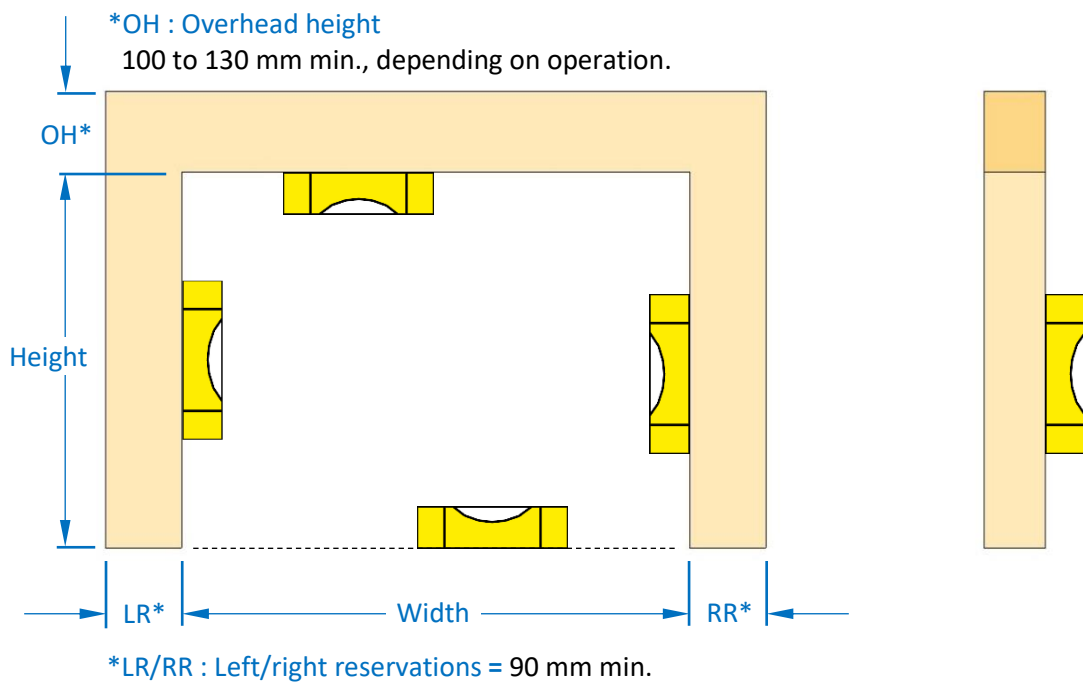
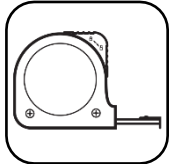
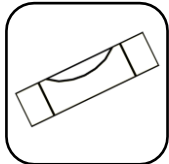
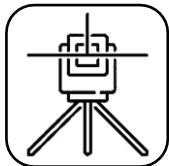
Pre-assembly installation

Preparing the pre-assembly

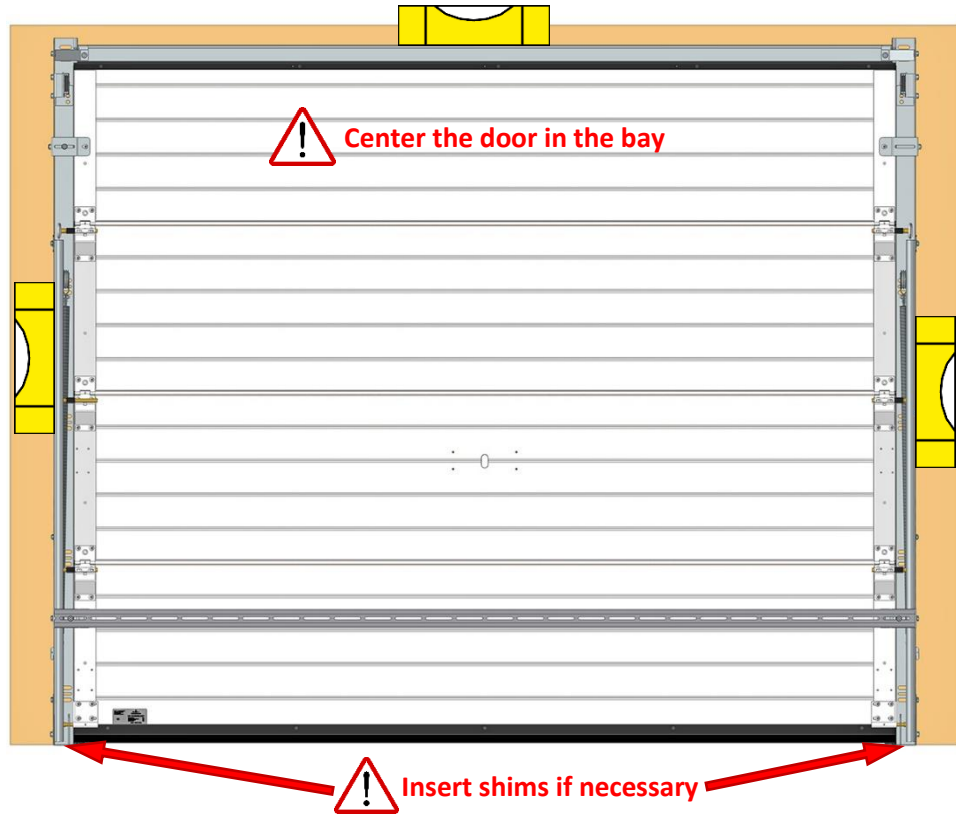
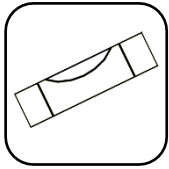
Remove the various pre-assembly parts.



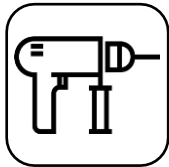
Checking the bay



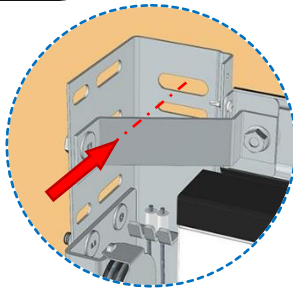
Layout of the frame



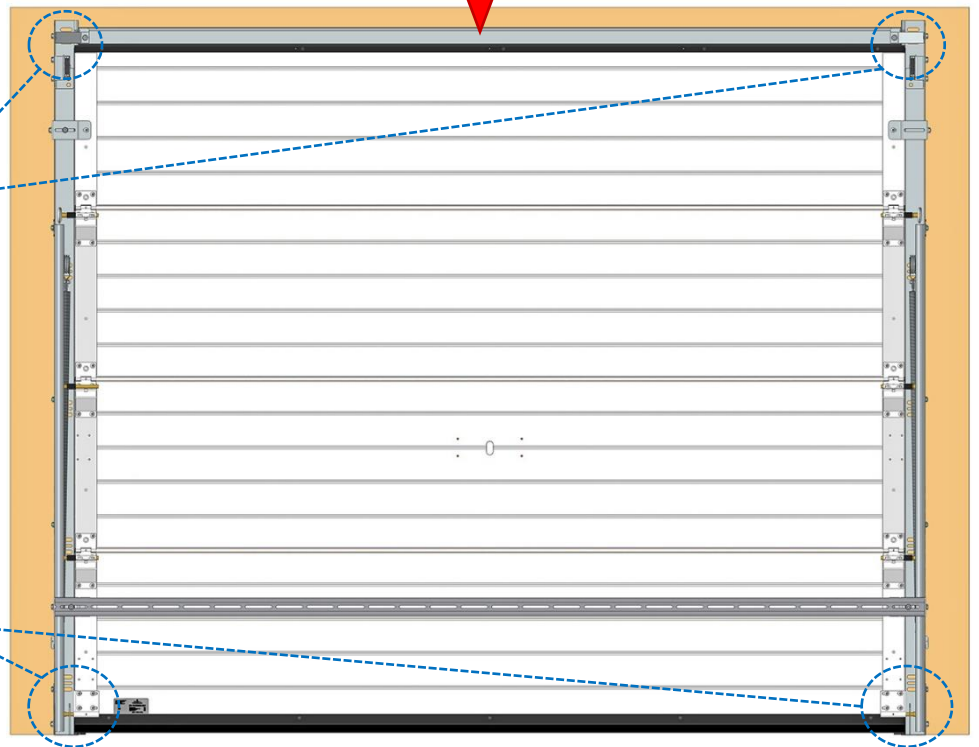
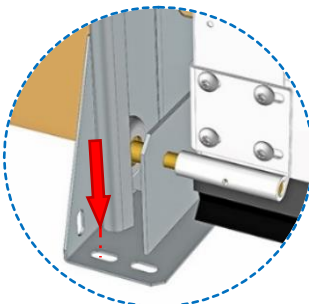
Fixing the vertical rails



! Do not attach the fascia to the header

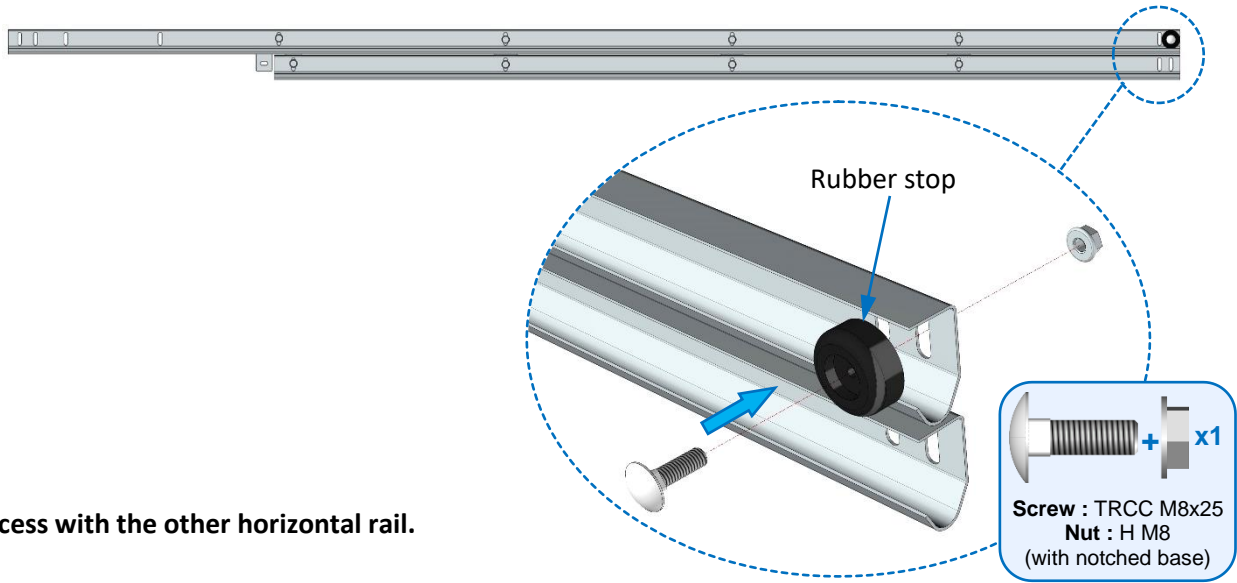
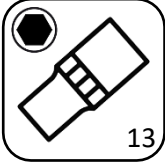


Securely fix the 2 vertical rails to the designated « top and bottom » oblongs.



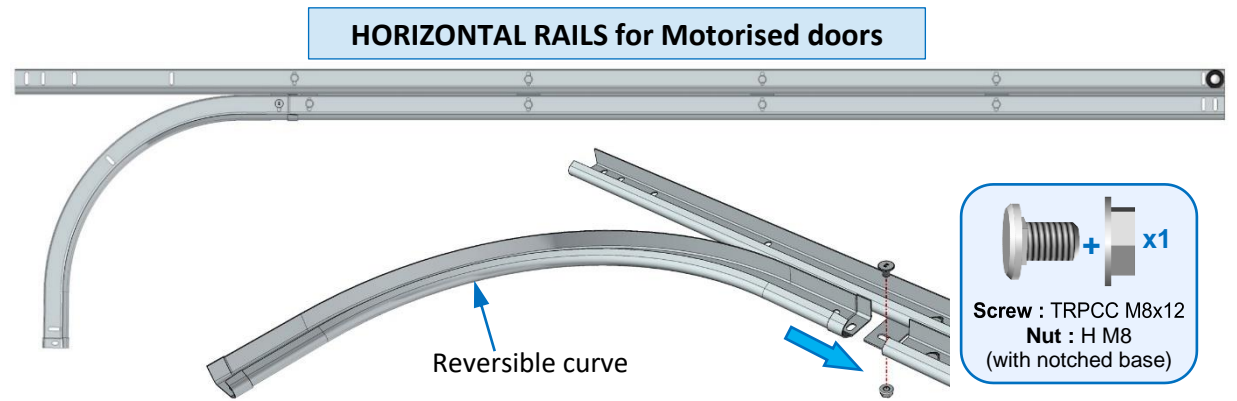
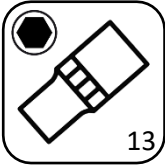
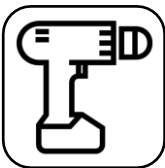
Horizontal rail installation

Assembling the stops (motorised doors)

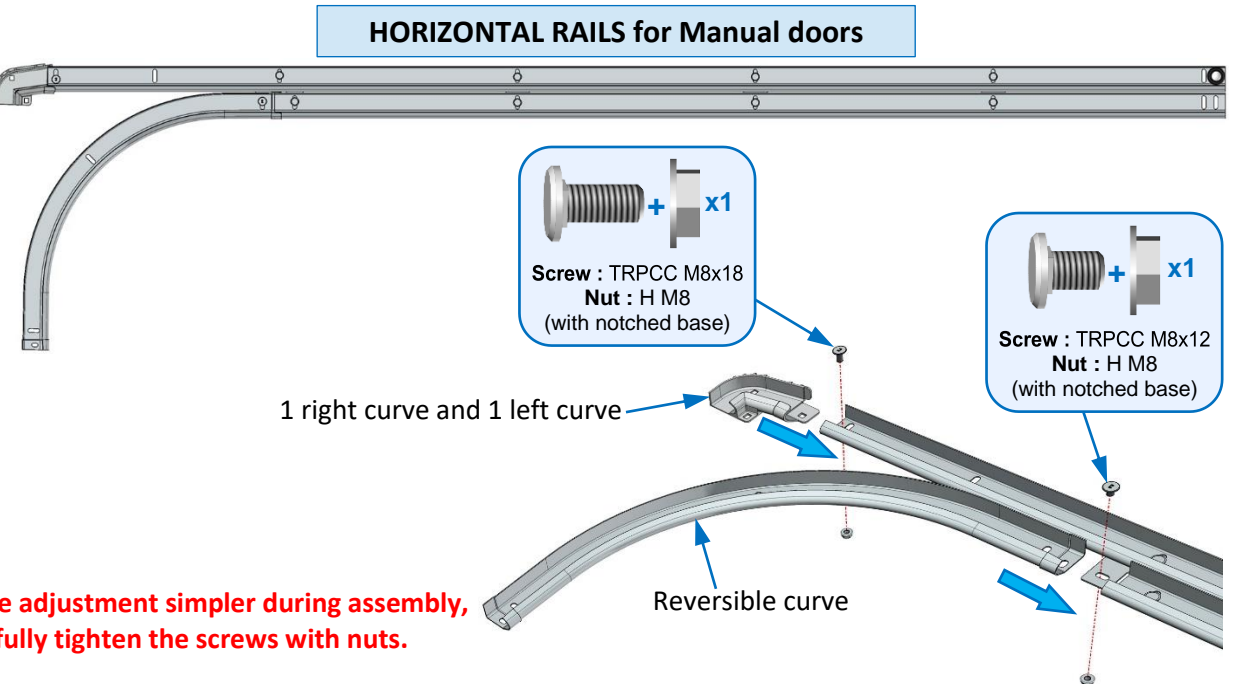


Repeat the process with the other horizontal rail.

Assembling the curves

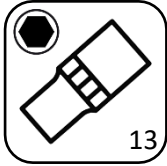


OR

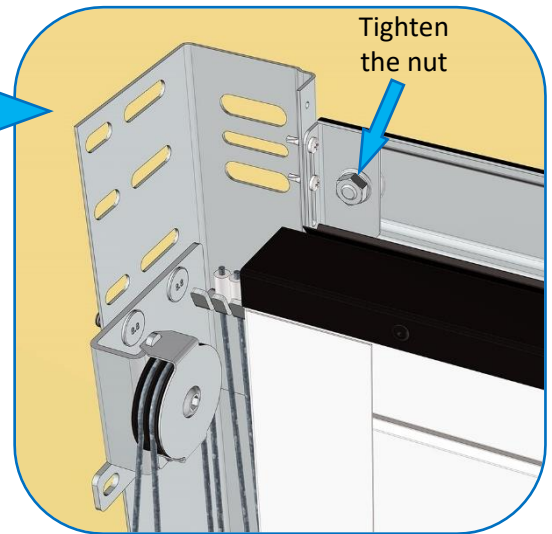
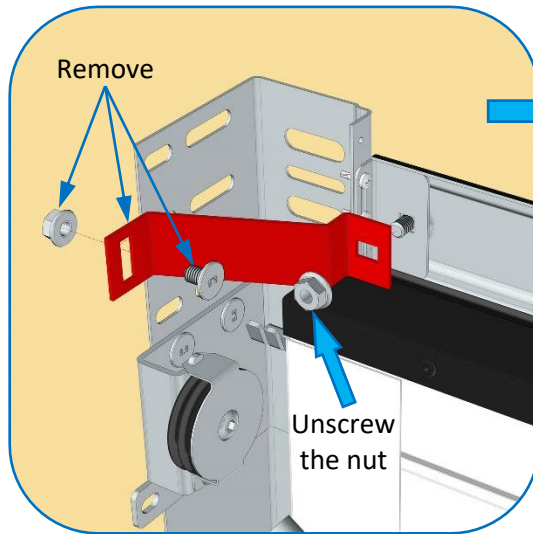


! To make adjustment simpler during assembly, do not fully tighten the screws with nuts.

Disassembling the parts used for transport

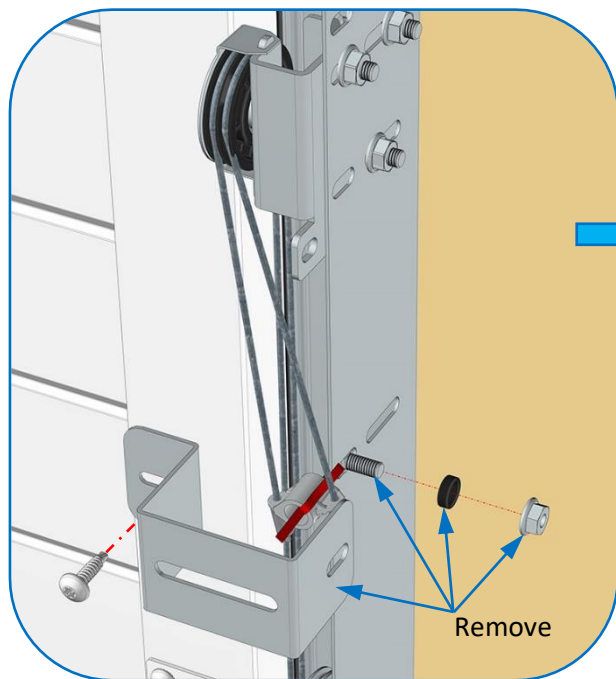


Z LUGS

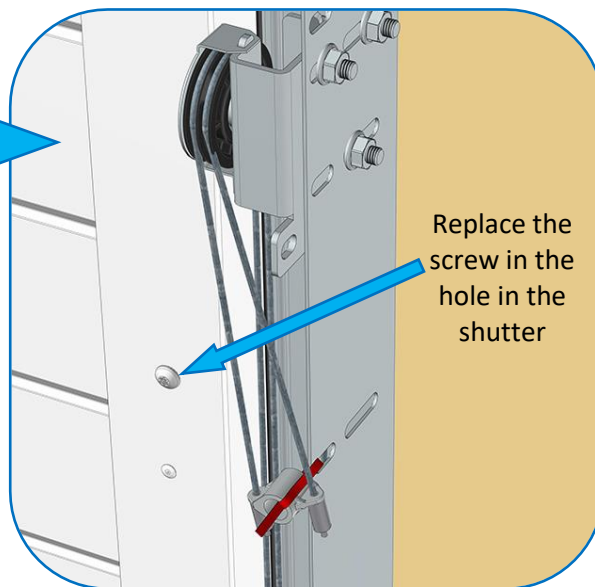


Repeat the process with the other vertical rail.

Rail/Shutter connecting LUG

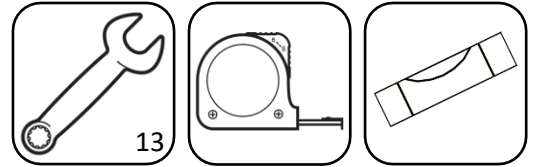


 Perform this step on one side of the door only

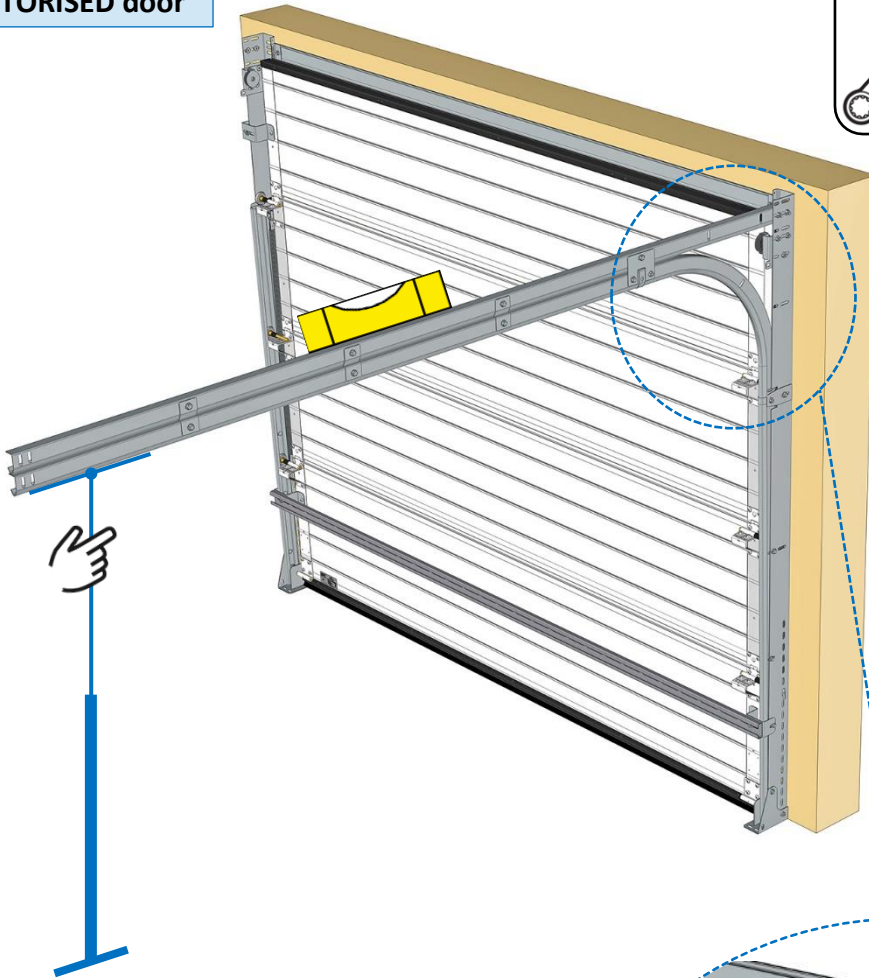


Assembling the 1st horizontal rail

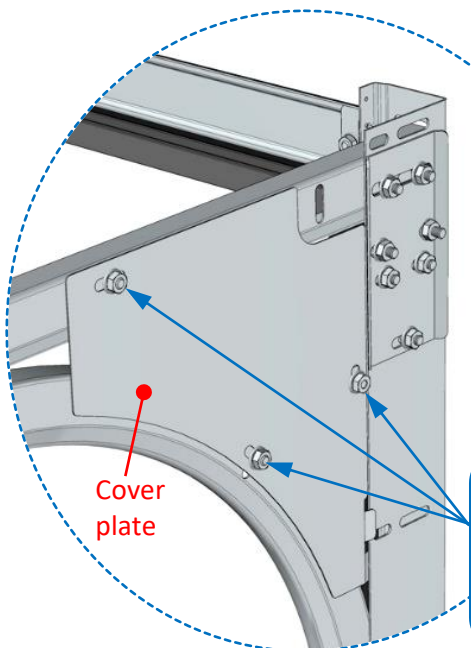
MOTORISED door



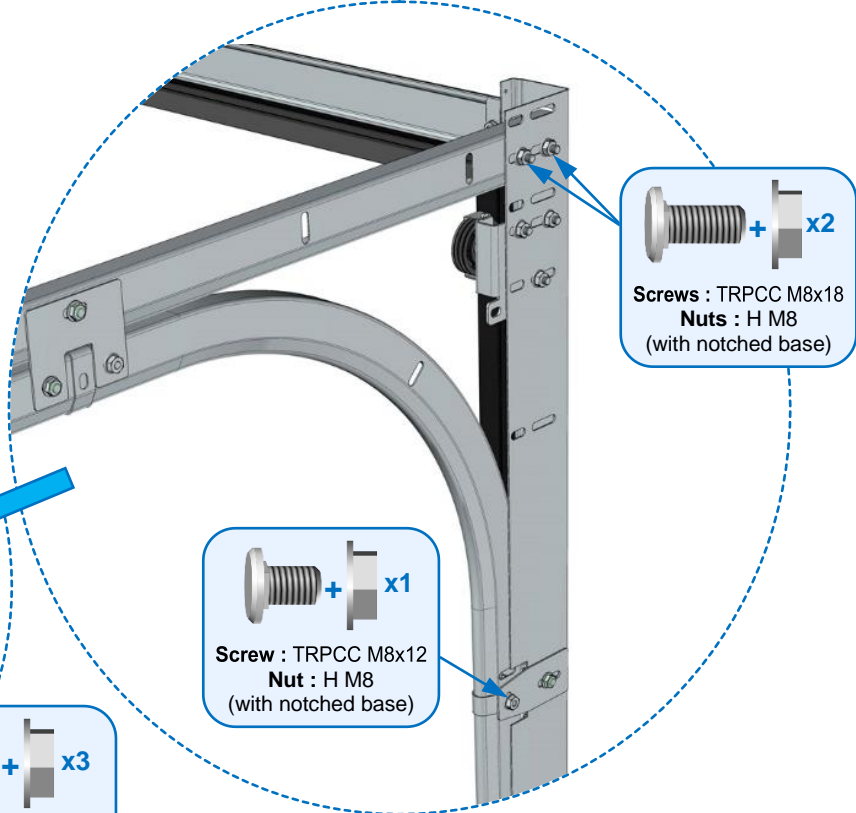
13



REINFORCEMENT
Shutter > 100 kg



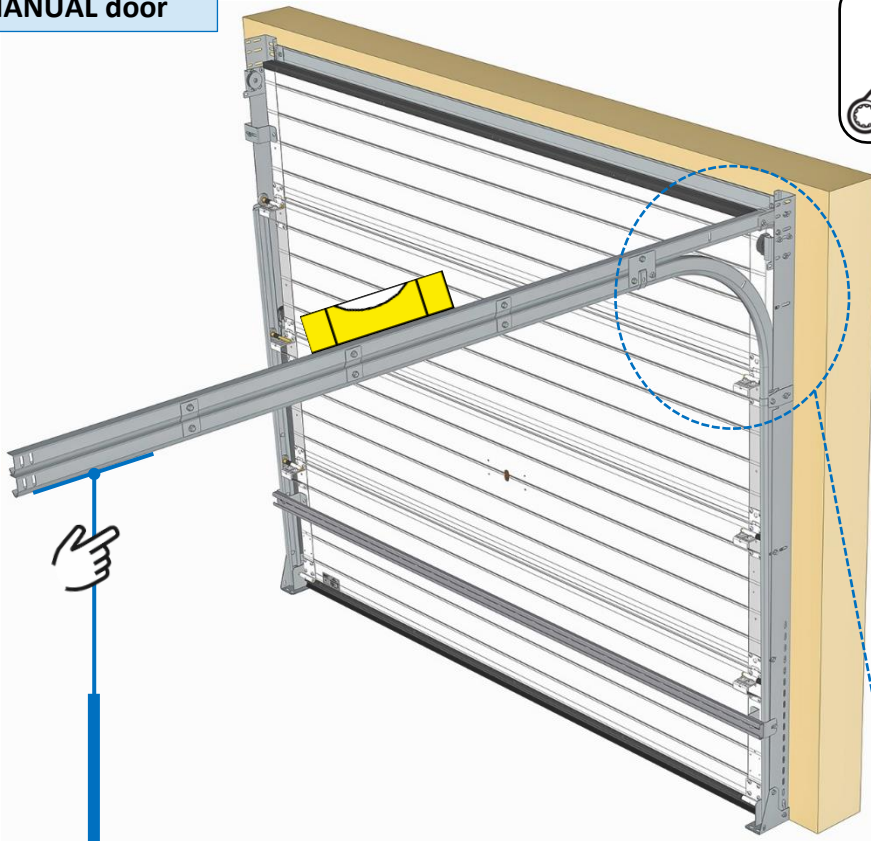
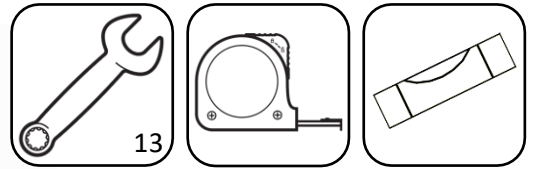
Screws : TRPCC M8x12
Nuts : H M8
(with notched base) **x3**



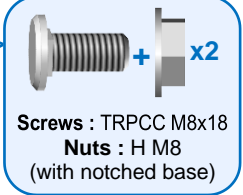
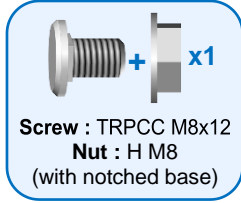
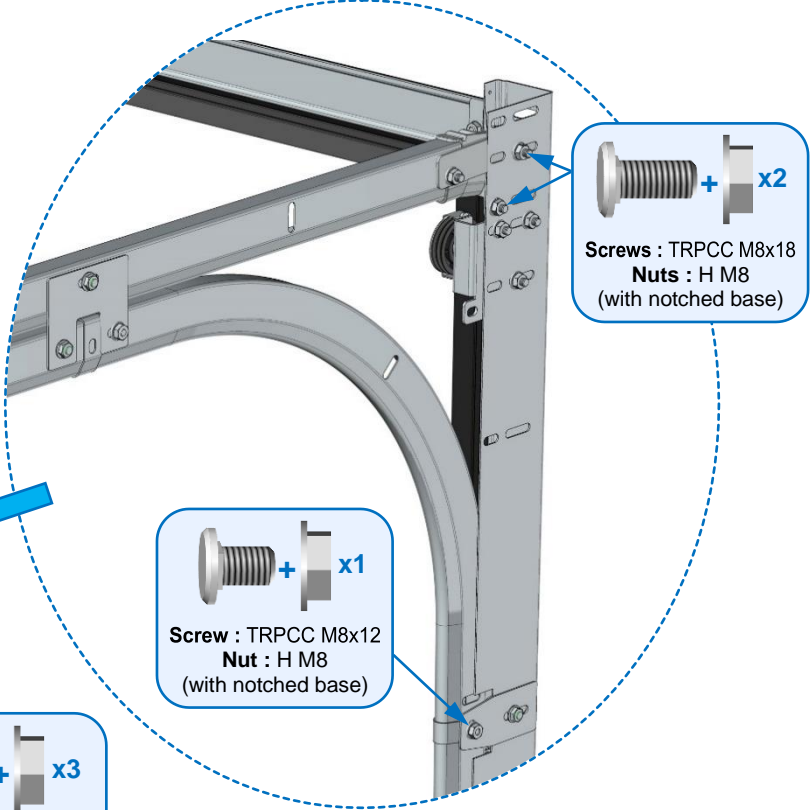
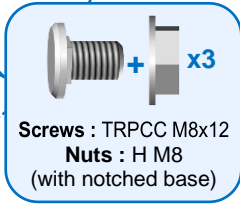
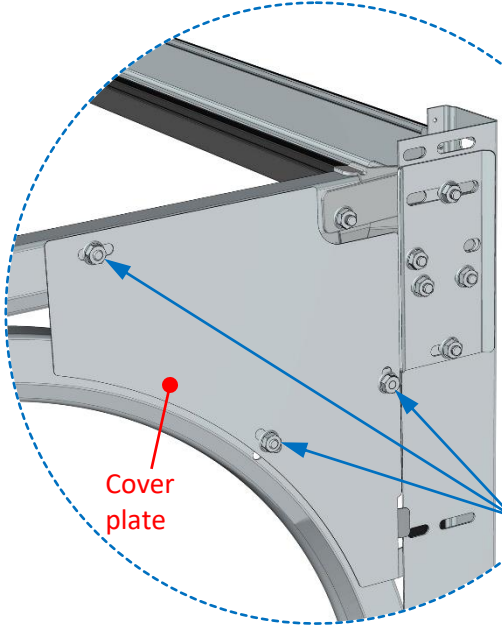
Screws : TRPCC M8x18
Nuts : H M8
(with notched base) **x2**

Screw : TRPCC M8x12
Nut : H M8
(with notched base) **x1**

MANUAL door

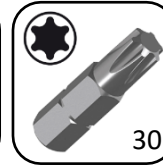
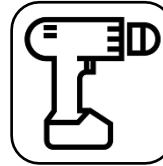


REINFORCEMENT
Shutter > 100 kg

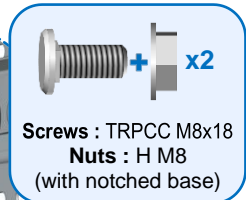
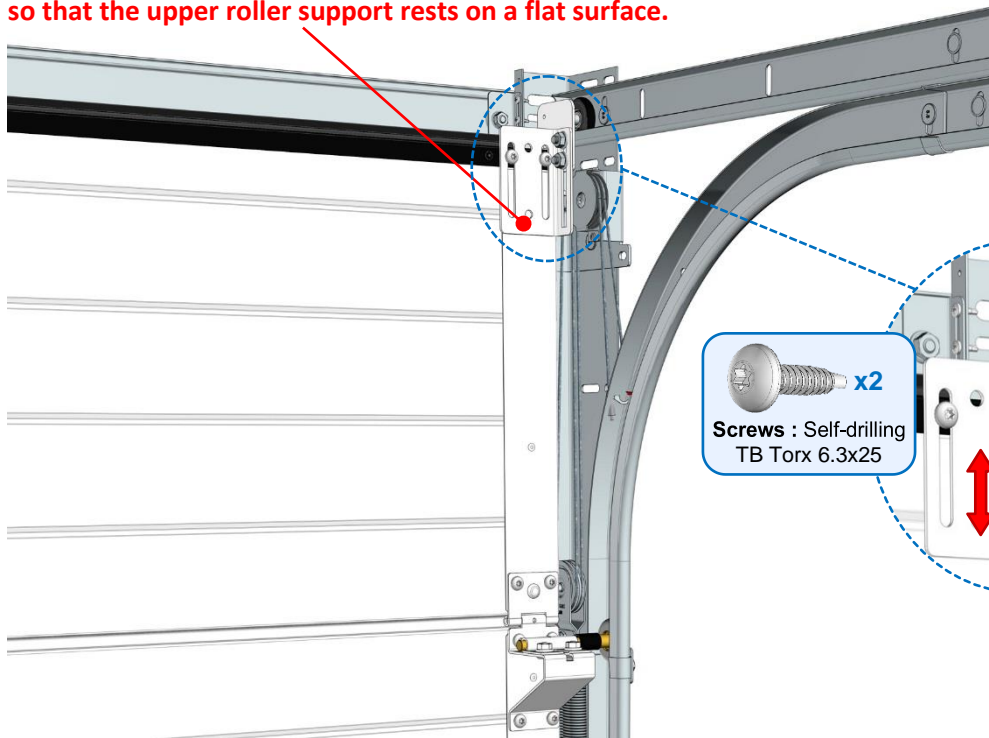


Assembling the 1st upper roller

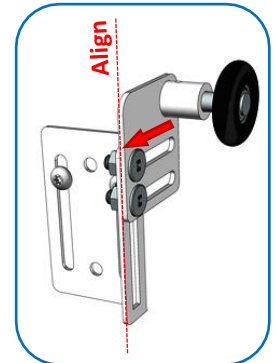
MOTORISED door



IMPORTANT : Remove the transport rivet from the edged column, so that the upper roller support rests on a flat surface.

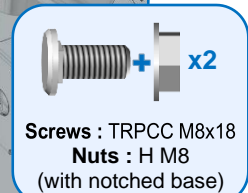
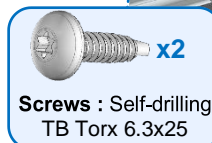
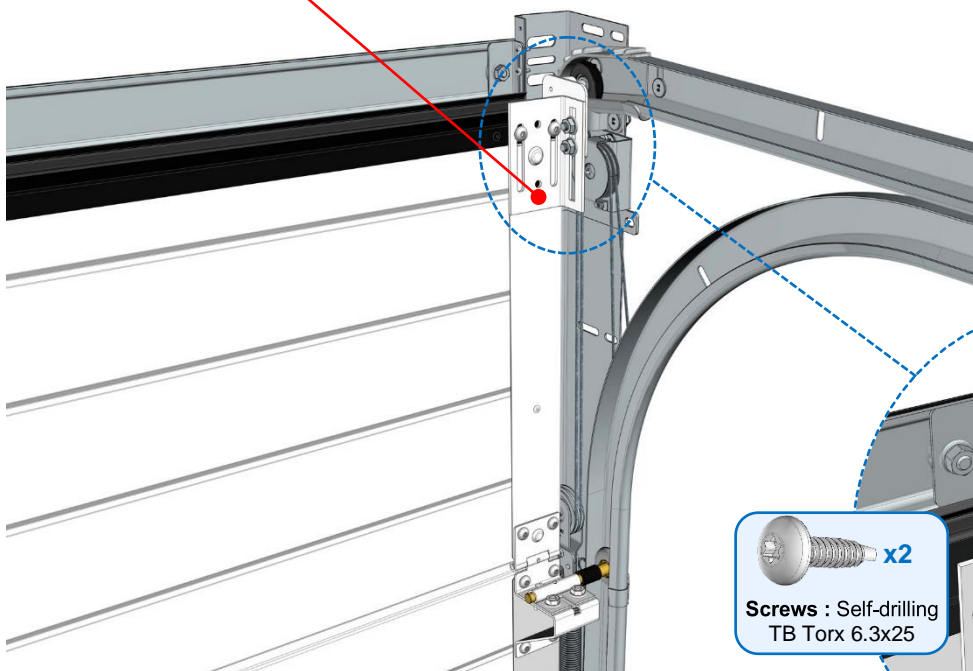


Assemble the adjustable rollers

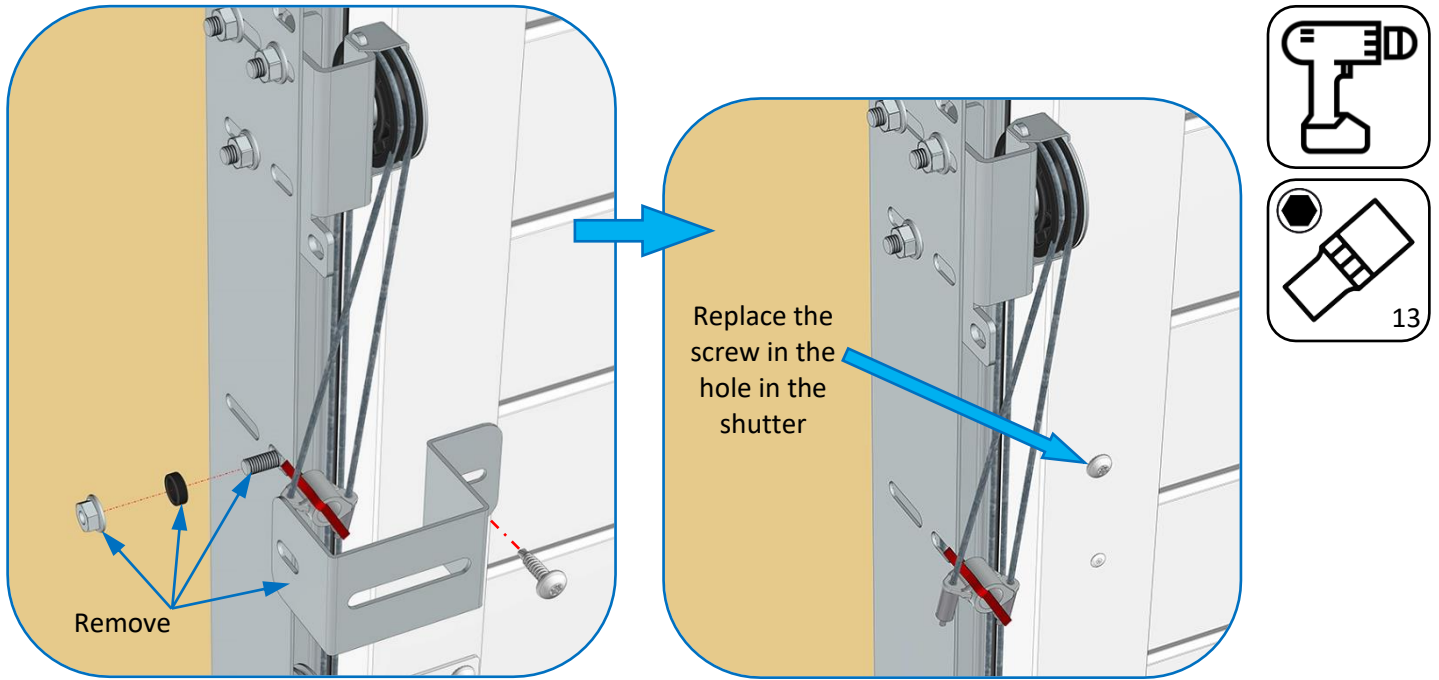


MANUAL door

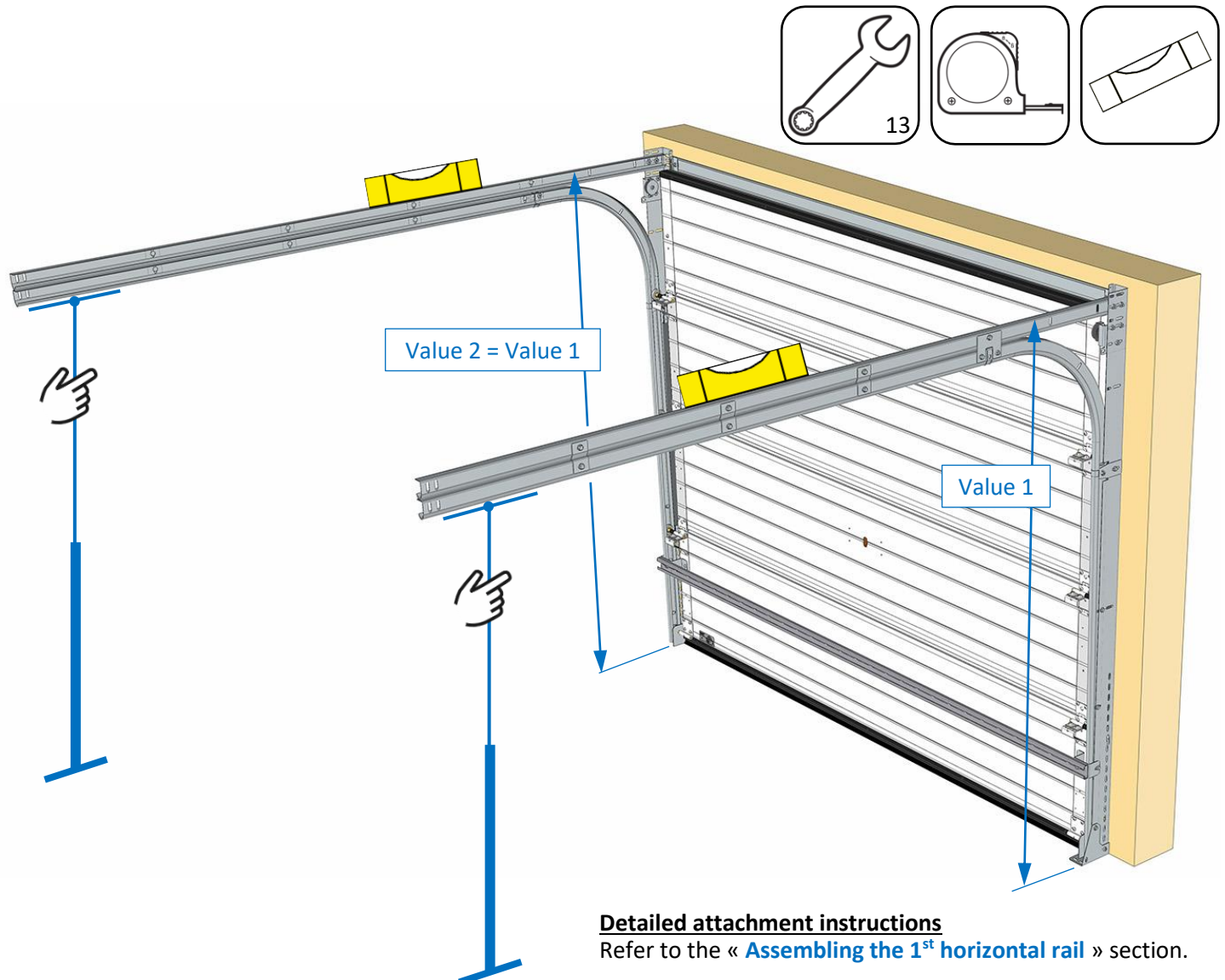
IMPORTANT : Remove the transport rivet from the edged column, so that the upper roller support rests on a flat surface.



Disassembling the 2nd Rail/Shutter connecting lug

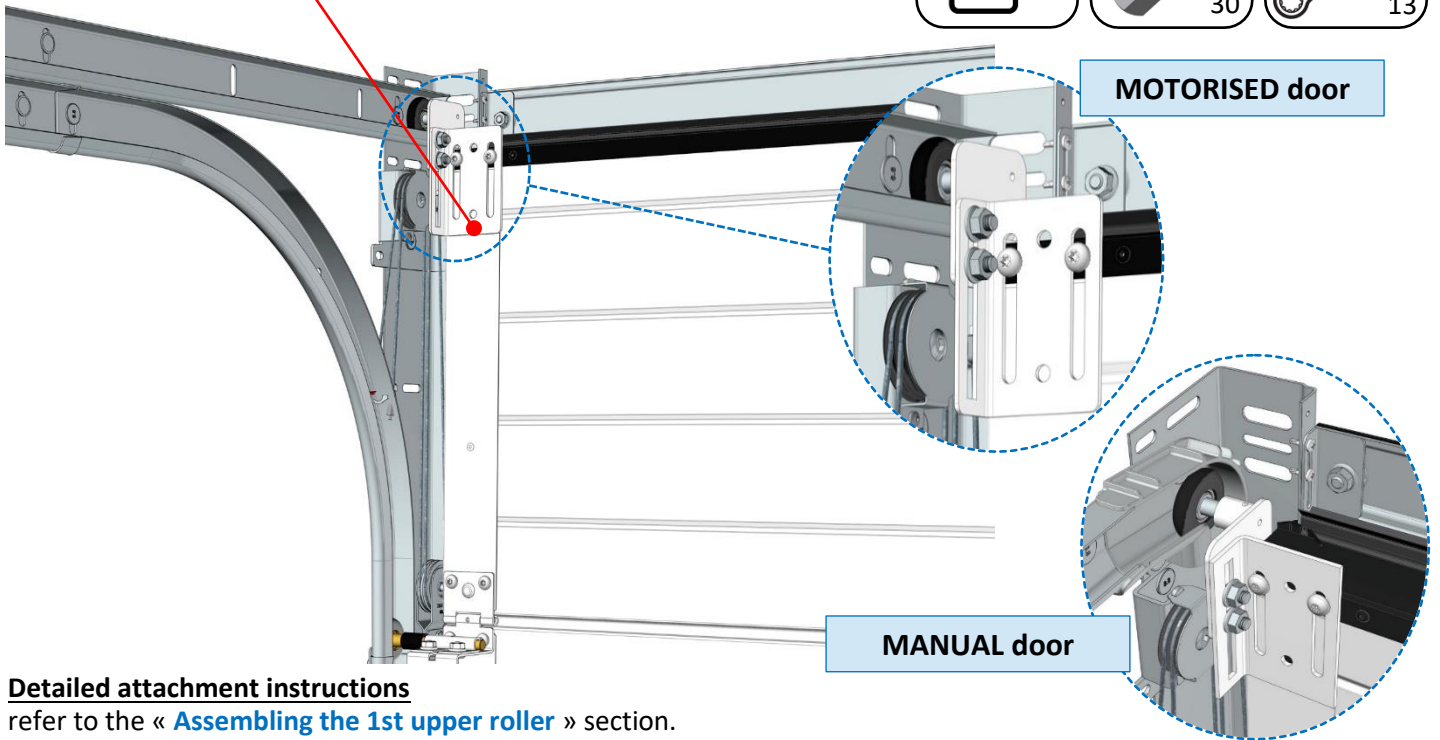


Assembling the 2nd horizontal rail



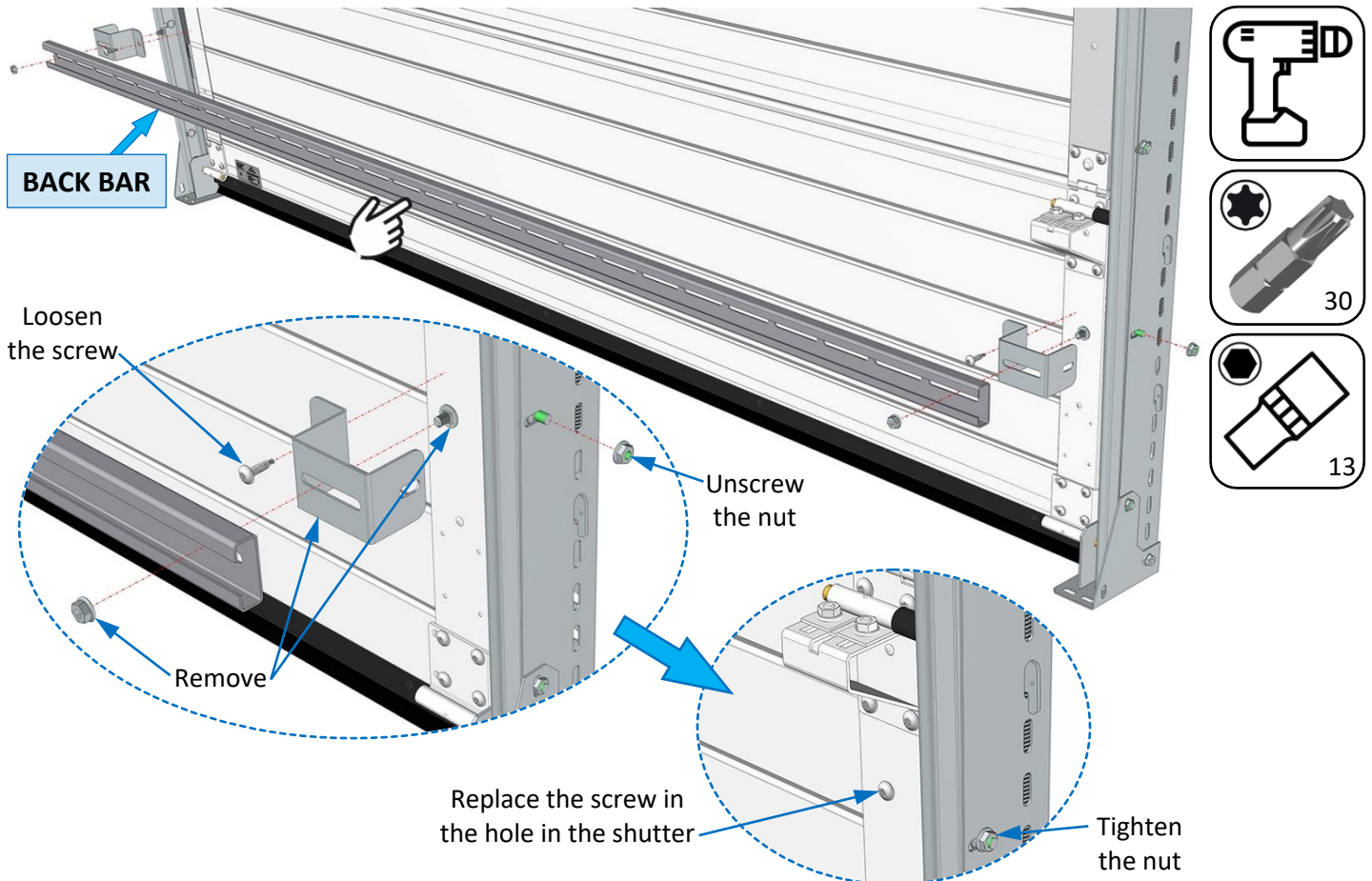
Installing the 2nd upper roller

IMPORTANT : Remove the transport rivet from the edged column, so that the upper roller support rests on a flat surface.

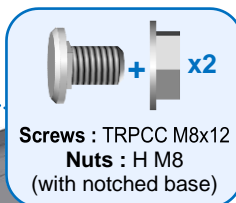
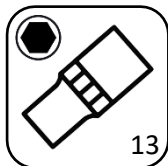
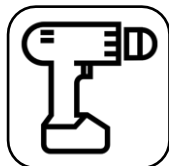


Detailed attachment instructions refer to the « **Assembling the 1st upper roller** » section.

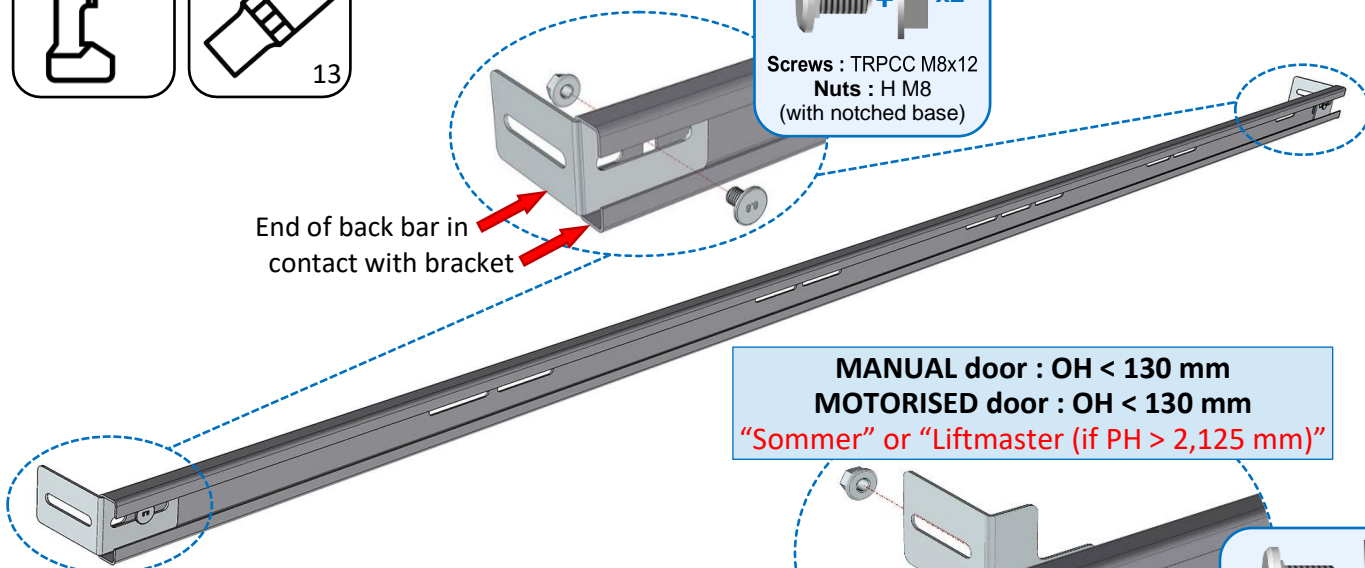
Disassembling the back bar



Assembling the back bar brackets

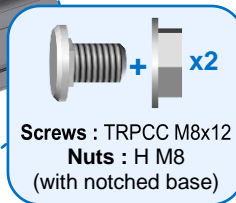


End of back bar in contact with bracket

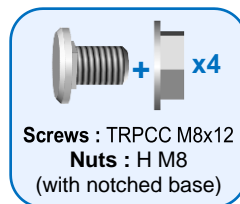


MANUAL door : OH < 130 mm
MOTORISED door : OH < 130 mm
"Sommer" or "Liftmaster (if PH > 2,125 mm)"

Back bar end aligned with end of bracket



Installing the back bar



MANUAL door

OH < 130 mm

MOTORISED door

OH < 130 mm
Sommer or Liftmaster
(if PH > 2,125 mm) operator only

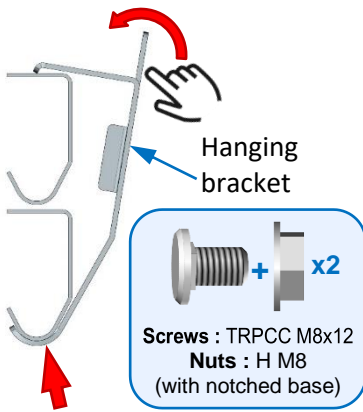
or

OH ≥ 130 mm

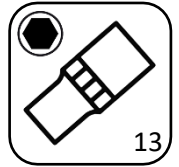
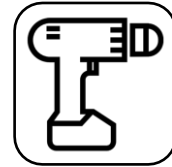
or

"All operators"
Except {
• Sommer OH < 130 mm
• Liftmaster OH < 130 mm
(if PH > 2,125 mm)

Installing the hangers



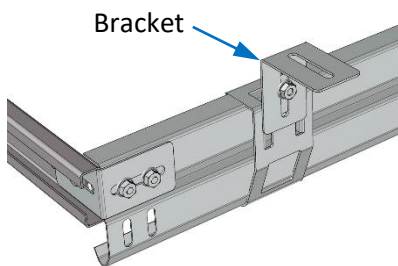
**Do not fasten the hangers to the masonry.
Do not fully tighten the screws with nuts.**



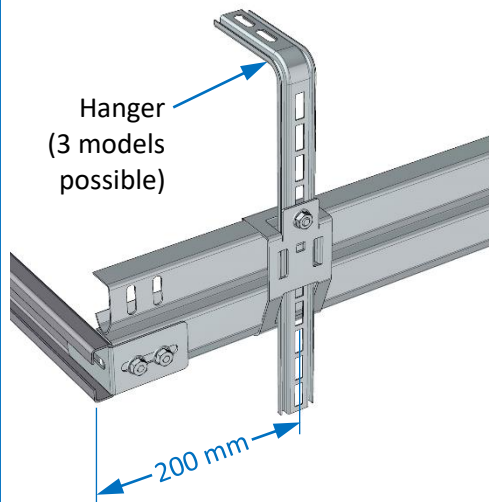
Adapt the number of hangers to the dimensions of the doors :

- 2 hangers, if $PW \leq 3,000$ or $PH \leq 2,150$ mm
- 4 hangers, if $PW > 3,000$ or $PH > 2,150$ mm

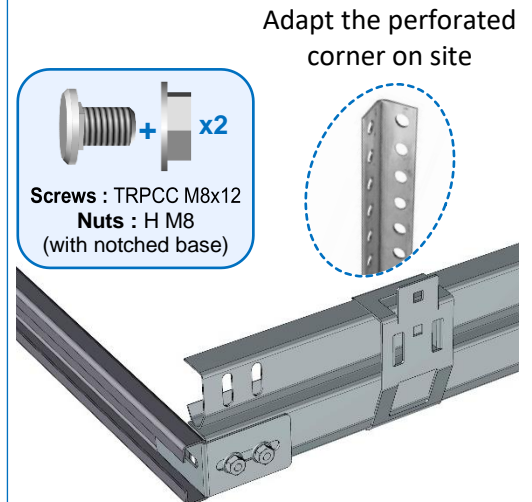
Assembly : $OH < 130$ mm



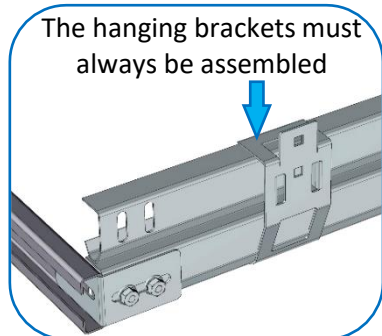
Assembly : $130 \text{ mm} \leq OH \leq 440$ mm



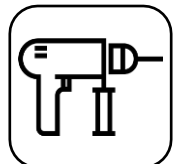
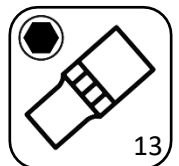
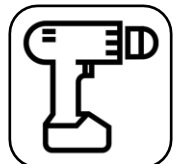
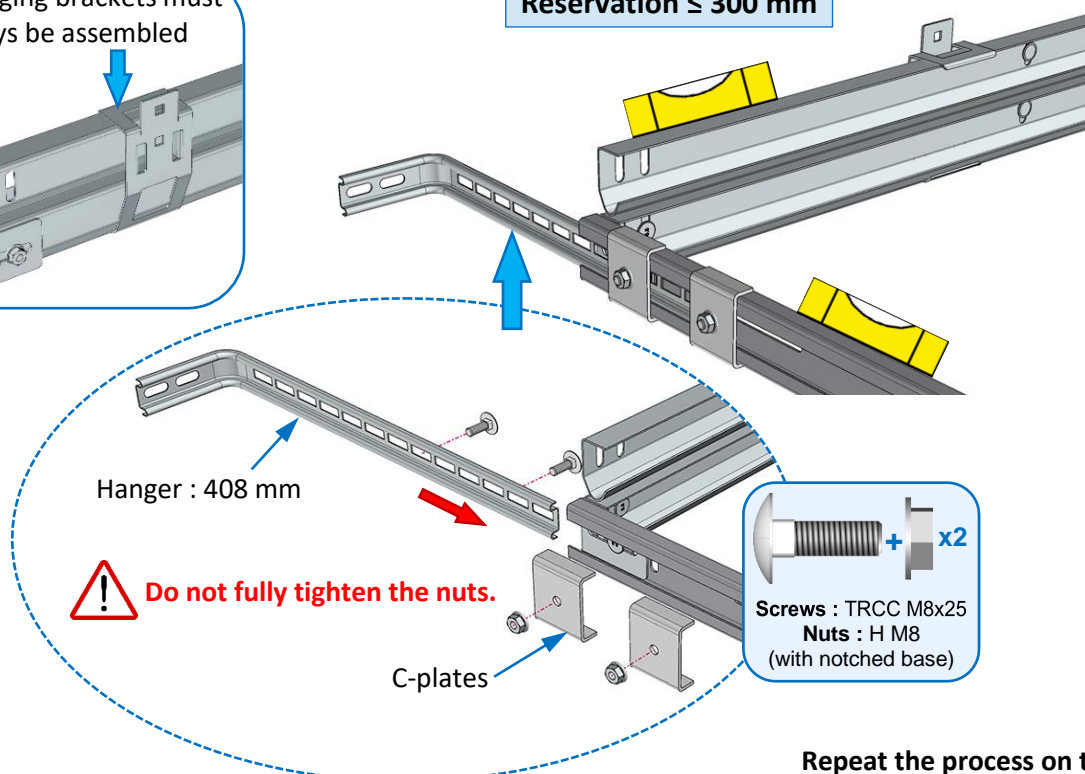
Assembly : $OH > 440$ mm



Back bar extension (option)

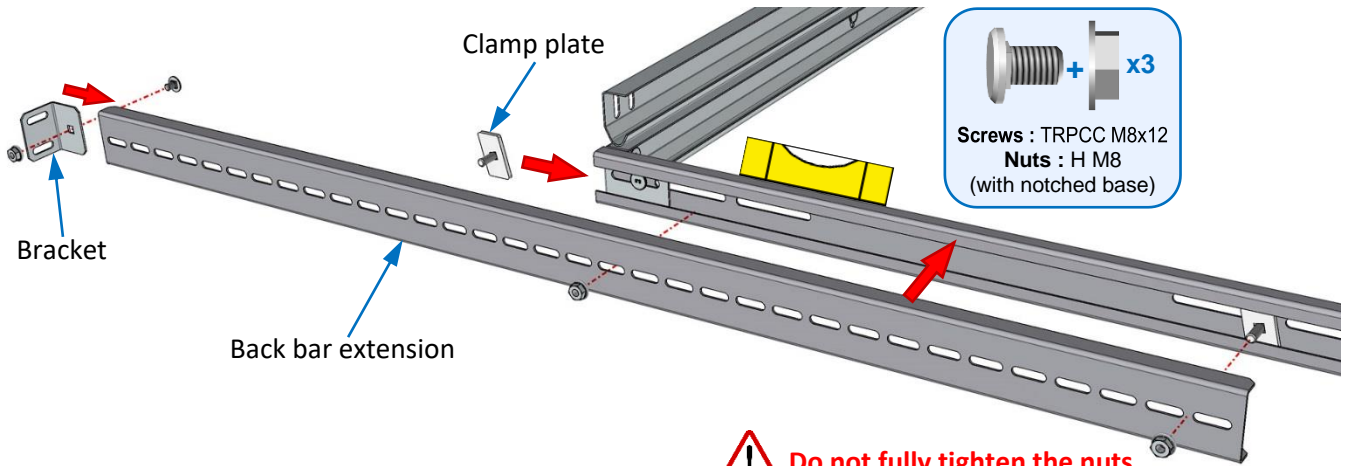


Reservation ≤ 300 mm



Repeat the process on the opposite side

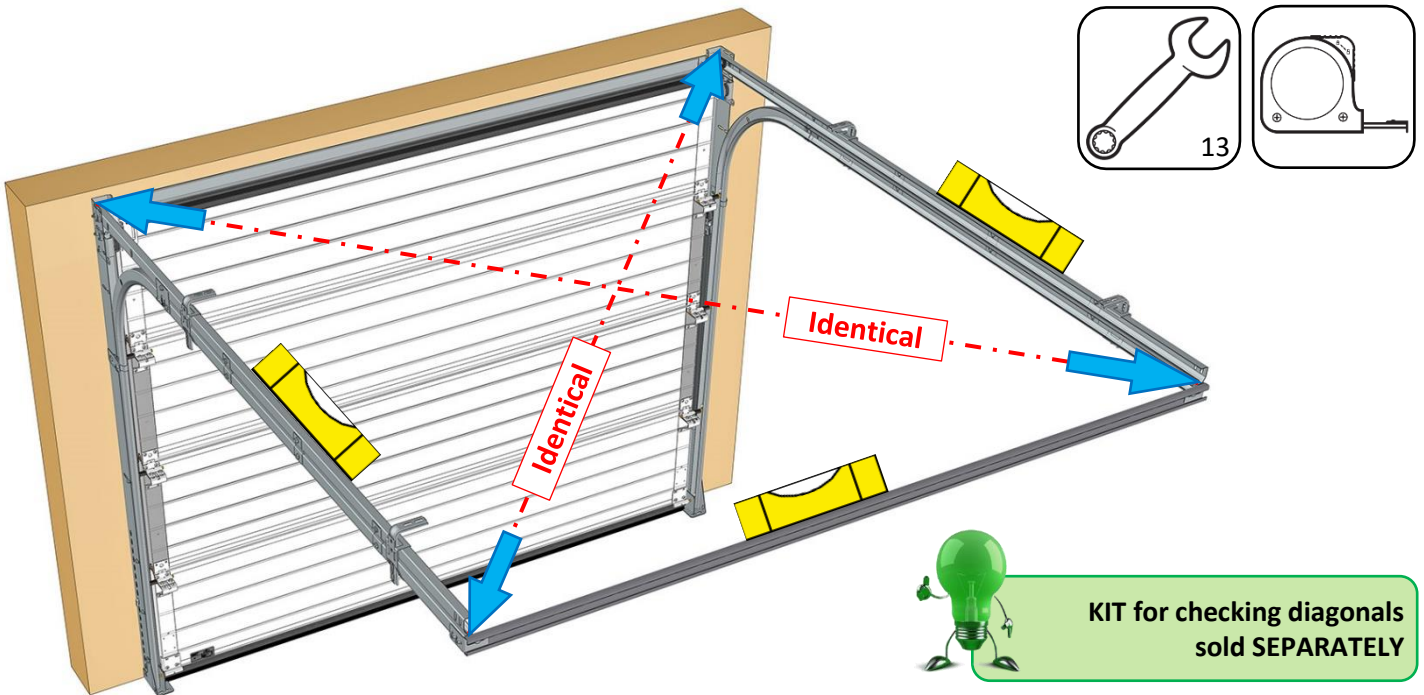
300 mm < Reservation ≤ 1,000 mm




Repeat the process on the opposite side.

 Do not fully tighten the nuts.

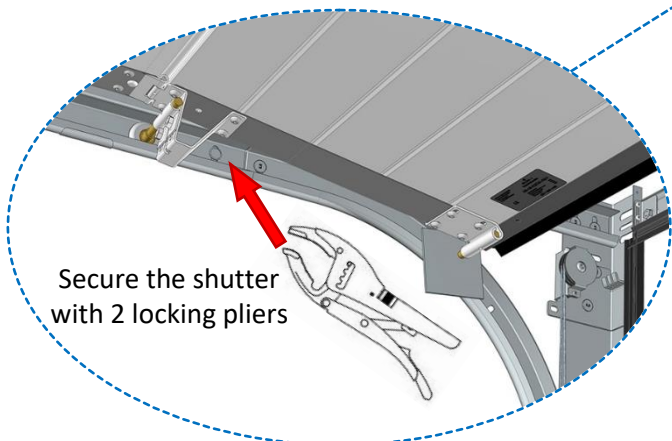
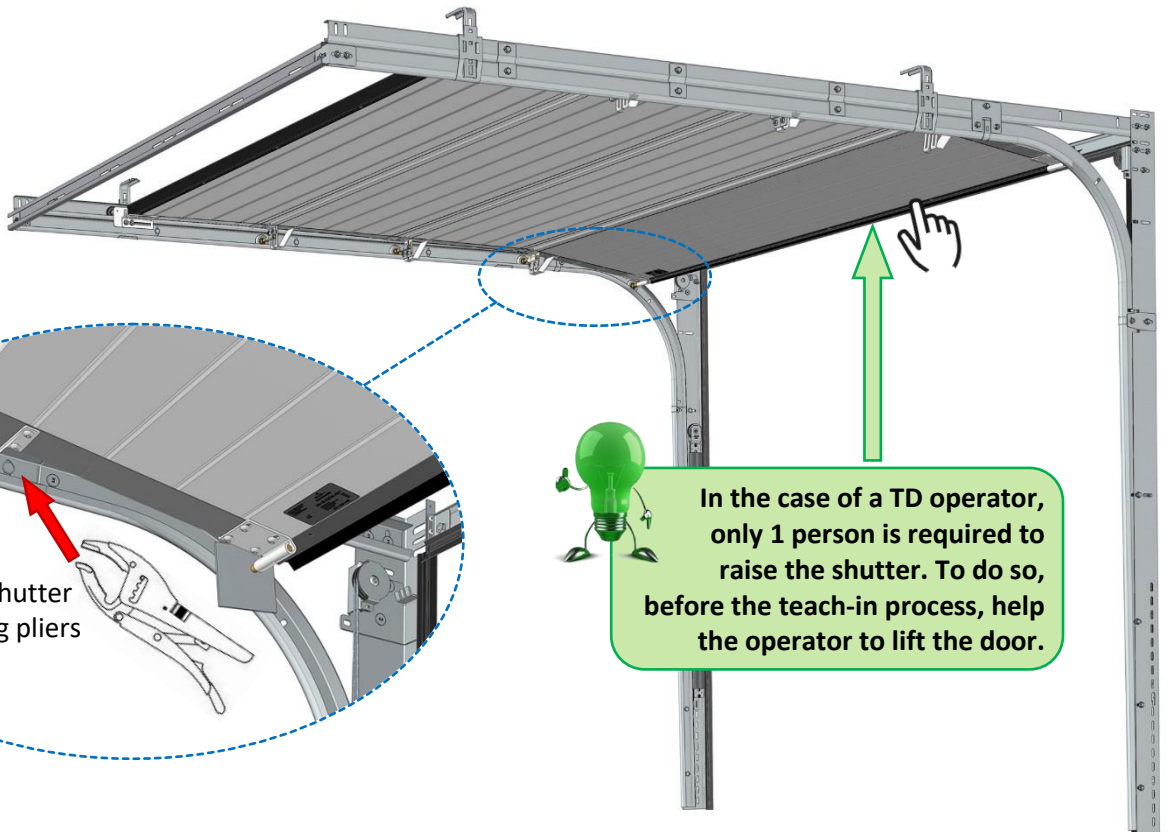
Checking the diagonals



 After **“CONFIRMING”** the diagonals, fix all the hangers.
If assembling back bar extensions, tighten the screws.

Cable attachment

Opening the shutter



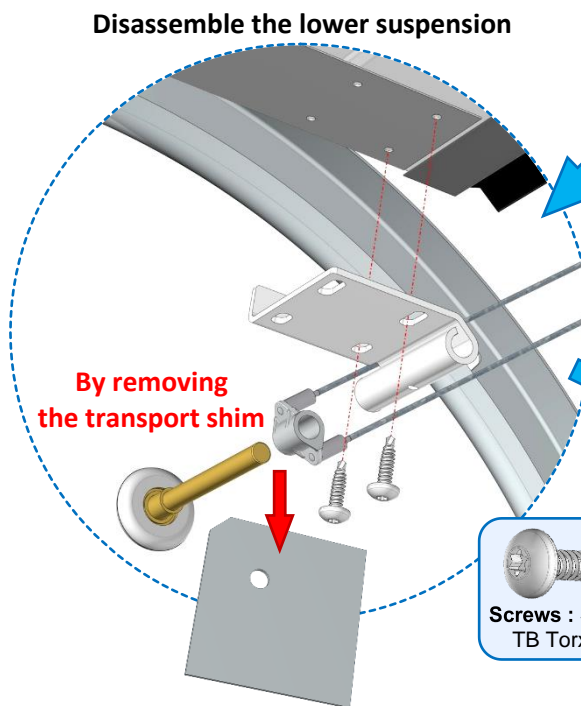
Secure the shutter with 2 locking pliers

In the case of a TD operator, only 1 person is required to raise the shutter. To do so, before the teach-in process, help the operator to lift the door.

Cable attachment points

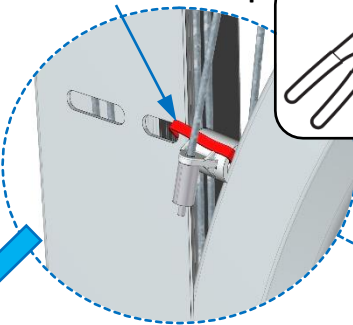


Cut the left side of the cable-clamp



Disassemble the lower suspension

By removing the transport shim



Pass the cable holder over the roller and raise the assembly

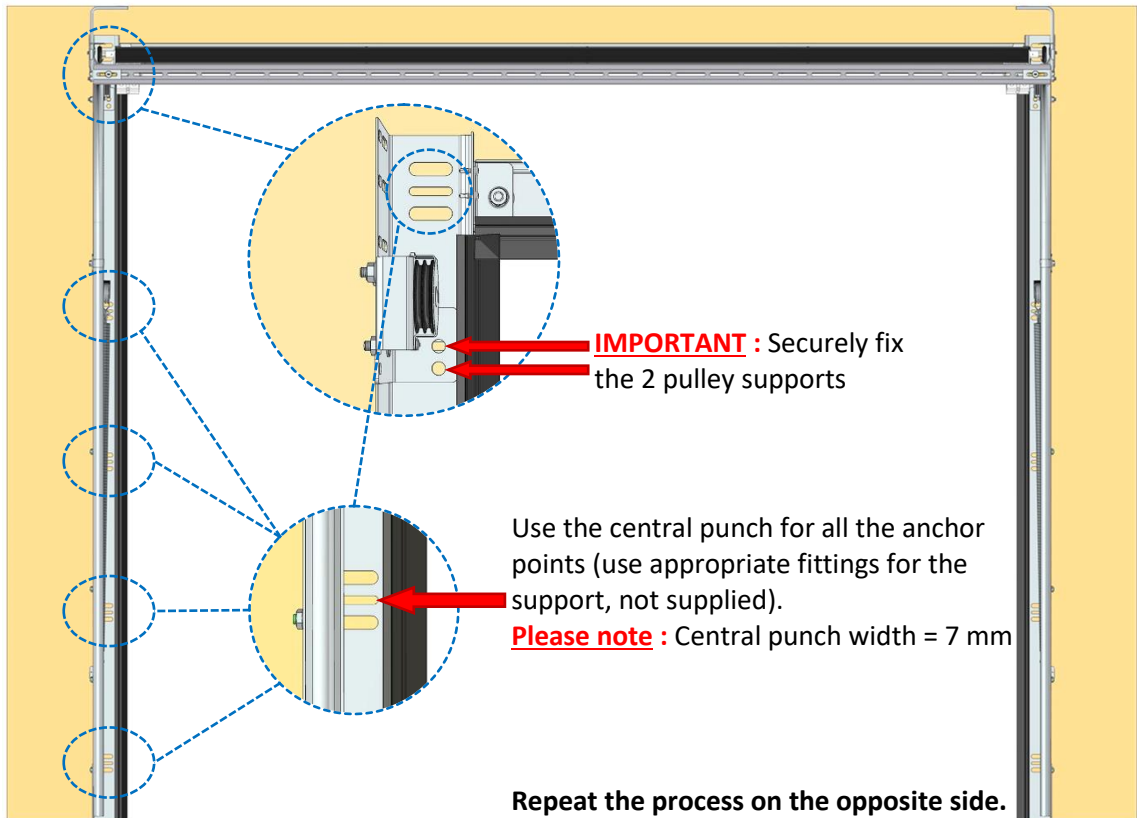


Check that the cables do not cross (parallel cables).

Repeat the process on the opposite side.

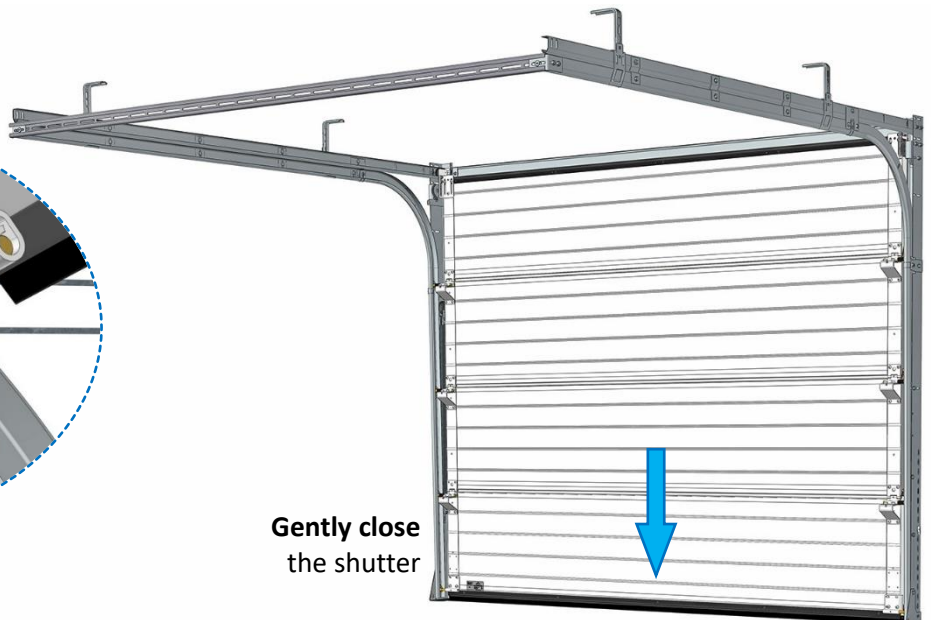
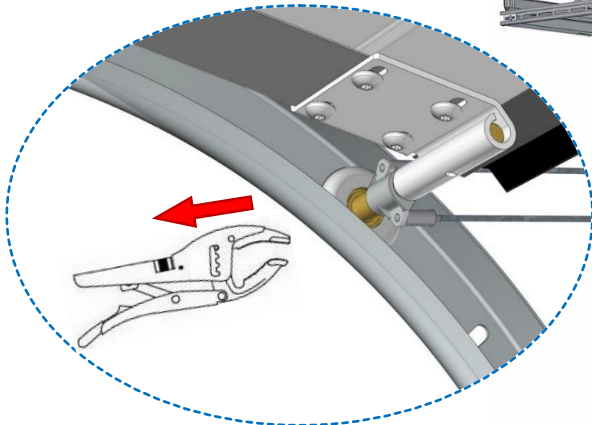
Vertical rail finalization

Fixing the rails



Lower the shutter

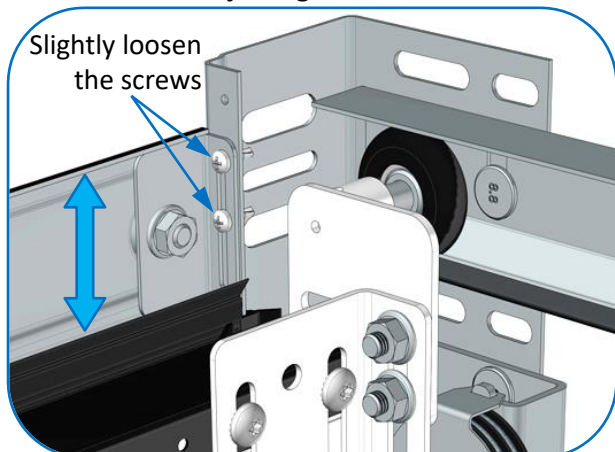
Remove the locking pliers



Adjustments

Adjusting and fixing the fascia

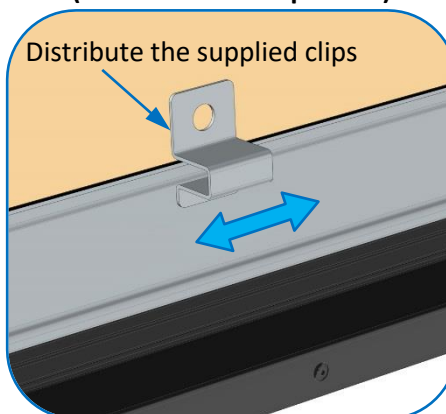
Adjusting the fascia



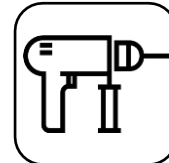
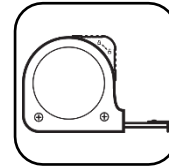
Repeat the process on the opposite side

Fixing the fascia

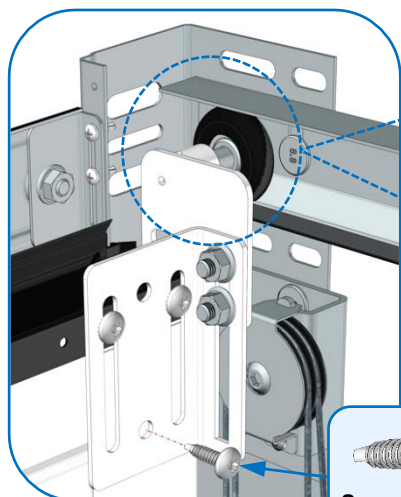
(Install after the operator)



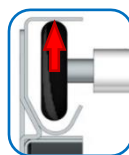
Use appropriate fittings for the support (screws and pins not supplied)



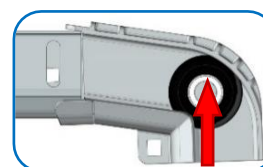
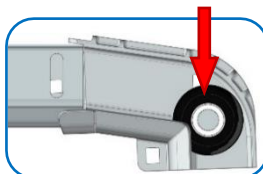
Adjusting the rollers



MOTORISED door



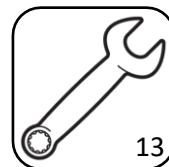
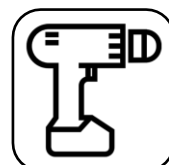
MANUAL door



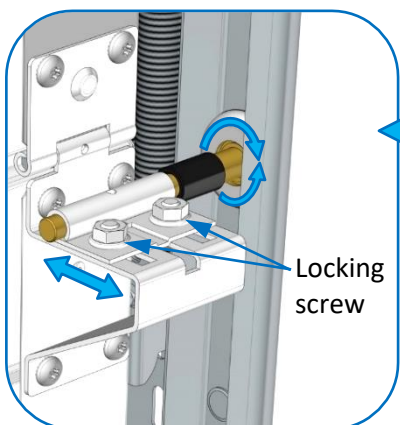
MANUAL version

MOTORISED version

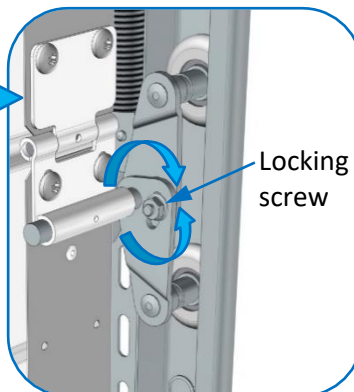
Add



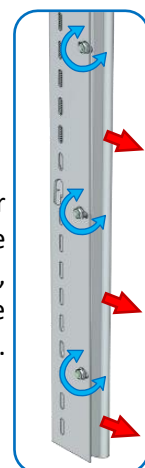
OPTION tandem



OR



Please note : If the shutter jams at the end of the closing operation, move the bottom of the rails apart slightly.



The roller rod must be able to turn freely.
Do not flatten the vertical seals of the shutter.

Repeat the process for all rollers.

Balance

Checking the balance



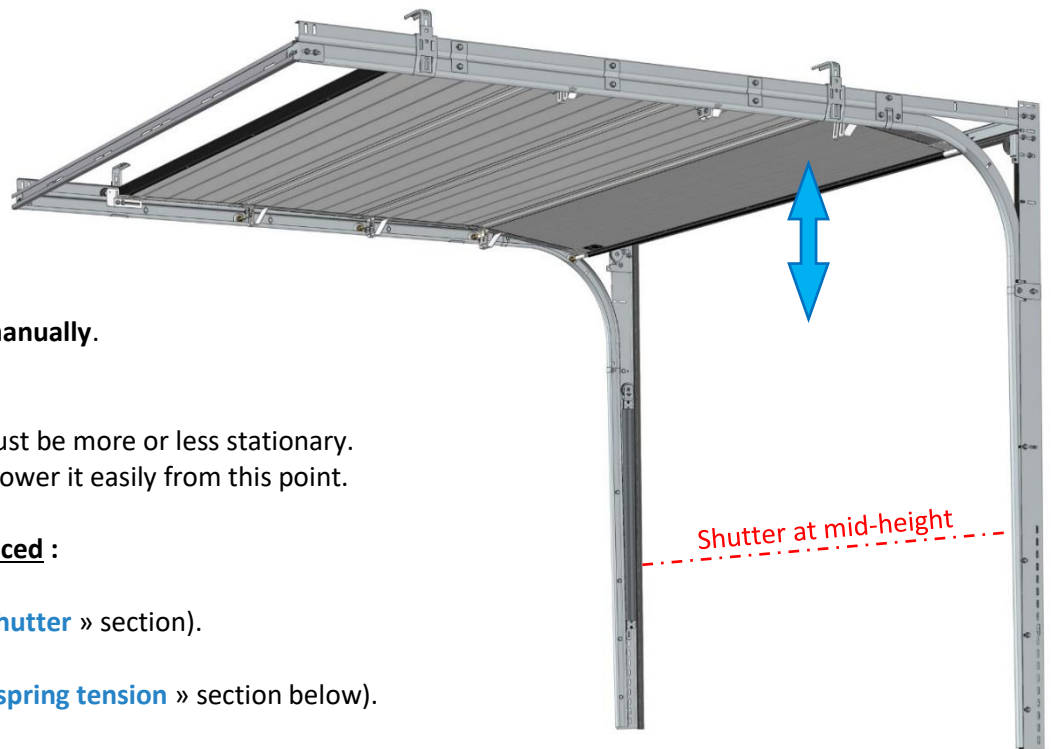
Gently open the shutter and **operate it several times manually**.

The shutter is well-balanced :

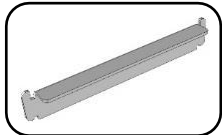
- At mid-height, the shutter must be more or less stationary. You must be able to raise or lower it easily from this point.

If the shutter is not well-balanced :

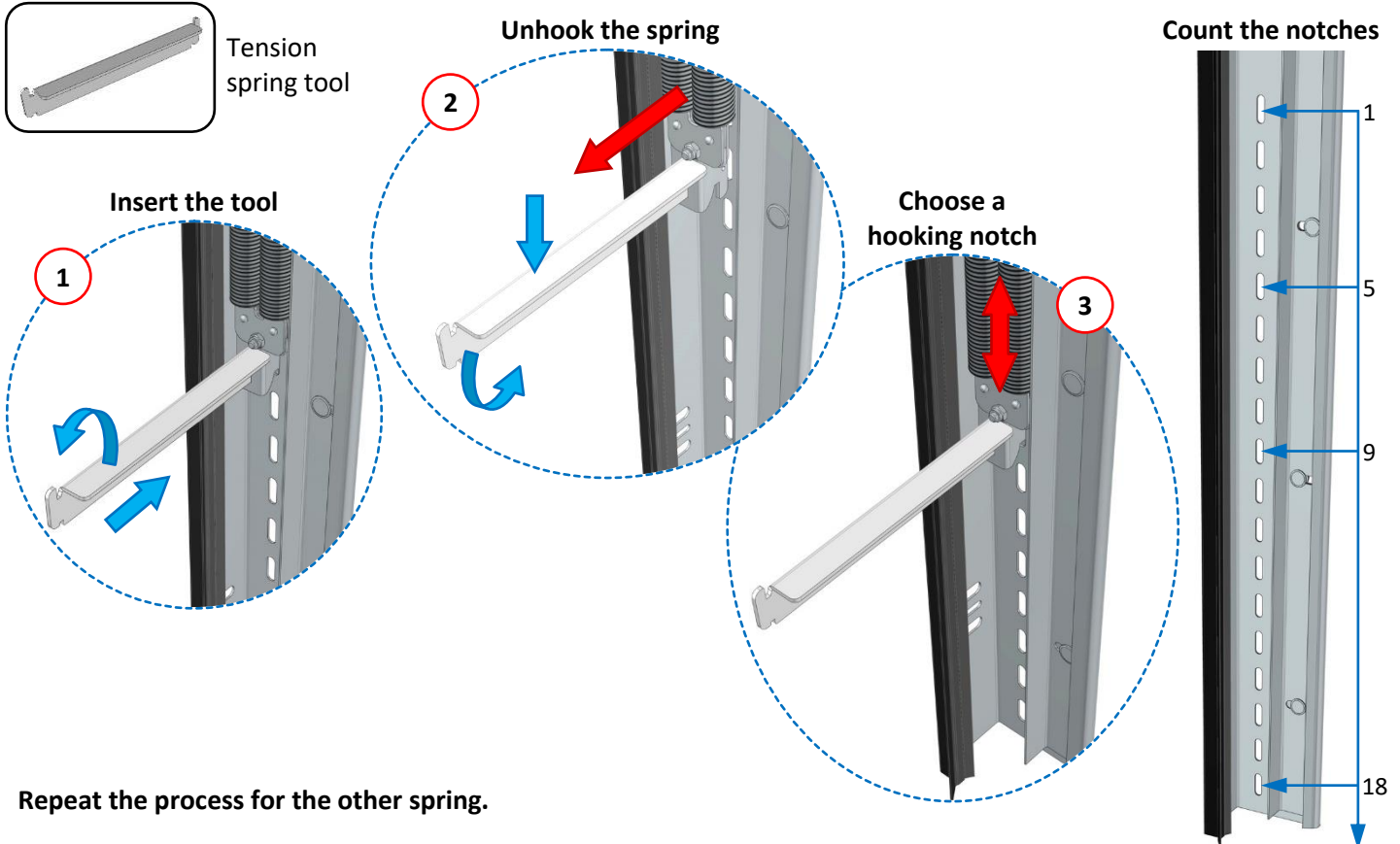
- Raise and secure the shutter (refer to the « [Opening the shutter](#) » section).
- Tighten or loosen the springs (refer to the « [Adjusting the spring tension](#) » section below).



Adjusting the spring tension



Tension spring tool



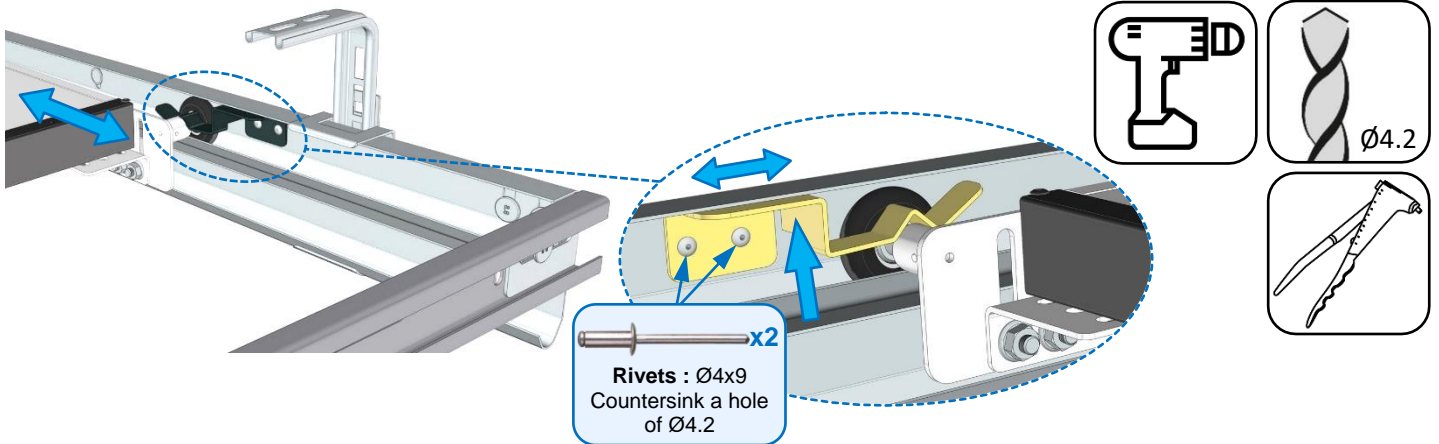
Repeat the process for the other spring.

! Make sure the 2 springs are positioned on the same notch.
Check that the spring hooks are securely fastened to the rails.

Check the balance again : Refer to the « [Checking the balance](#) » section above.

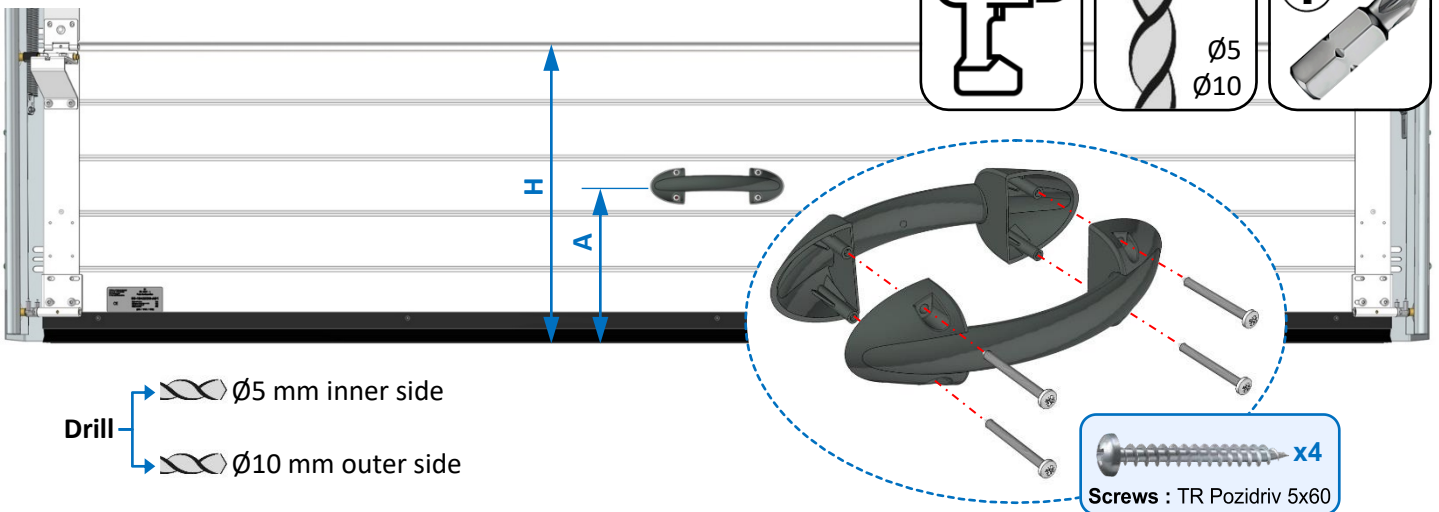
Finishes

Fixing the end position clips (manual door)



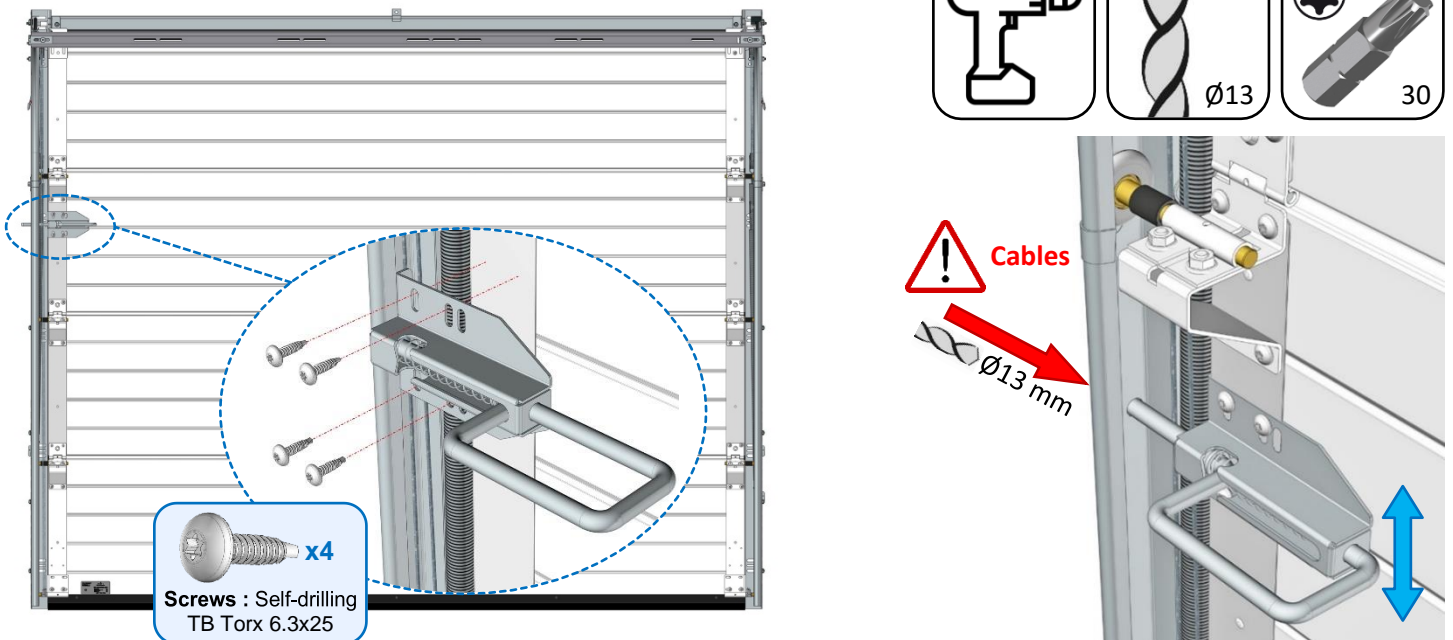
Assembling the handle

On the bottom panel : Max. handle position : $A = H / 3$



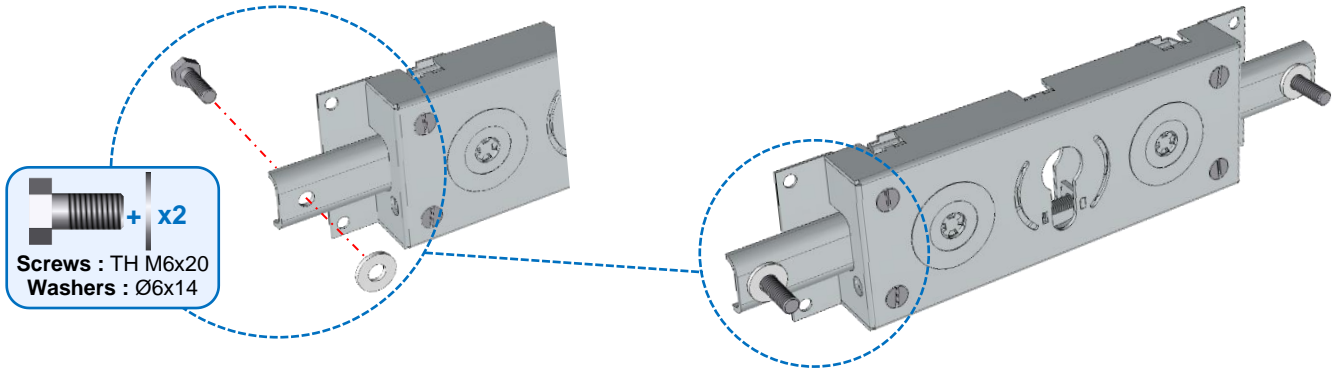
Assembling the latch (optional on motorised doors)

On 2nd intermediate panel :

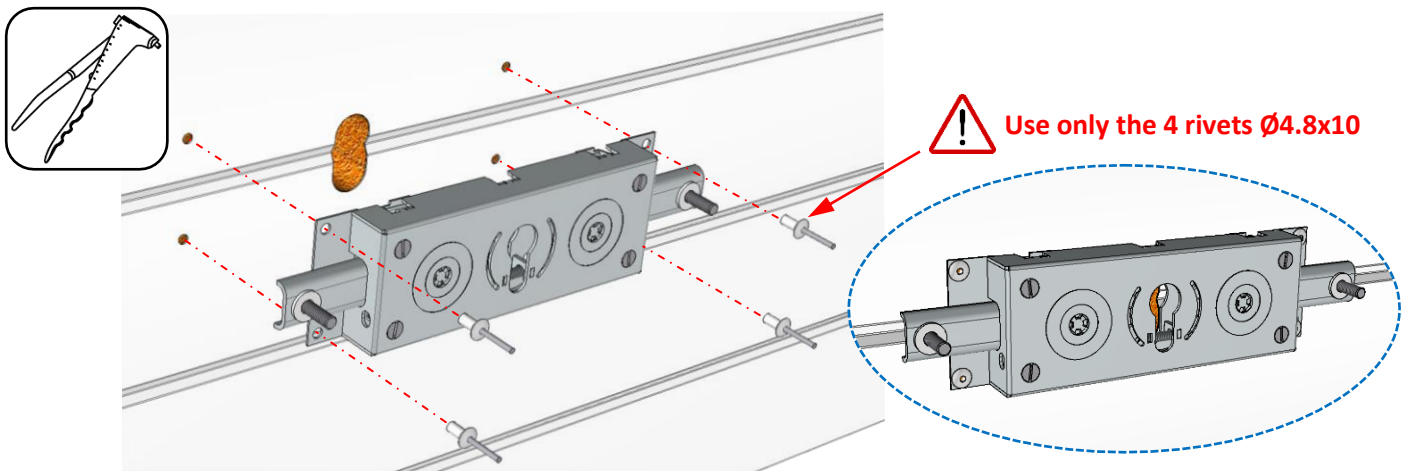


Installing the lock (optional on motorised and manual doors)

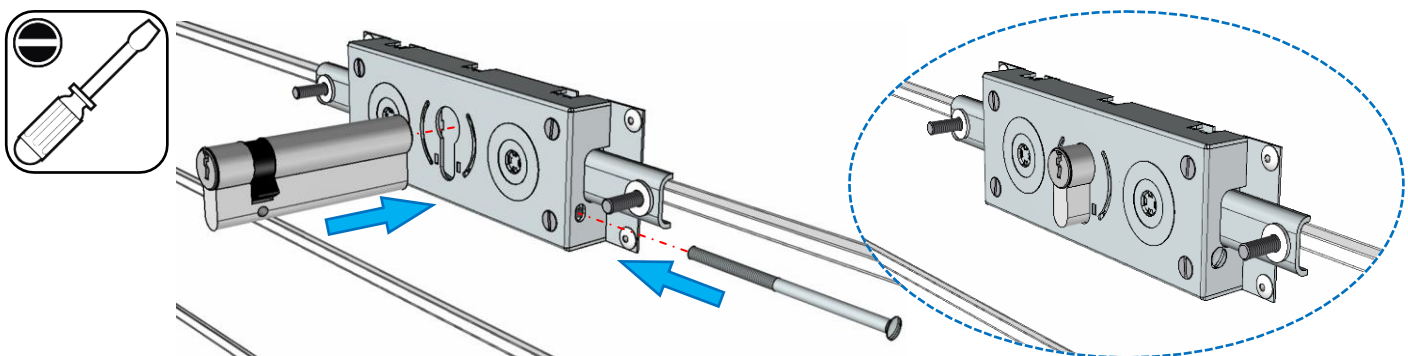
Prepare the lock :



Fixing the lock :



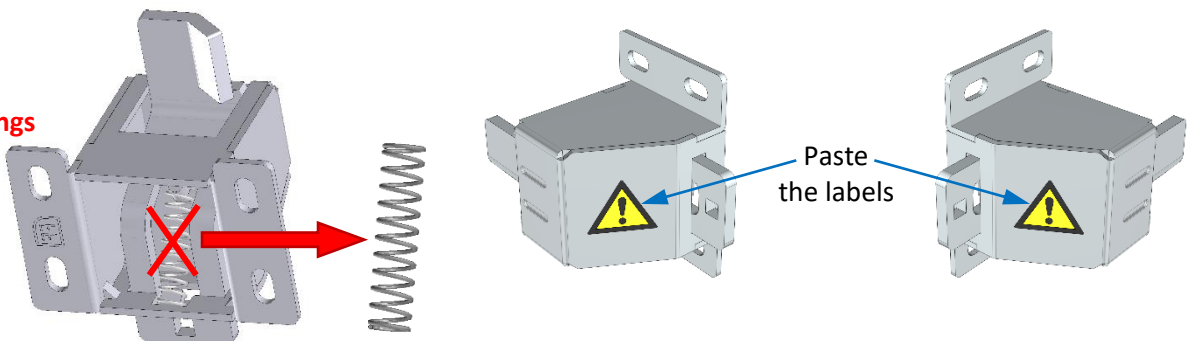
Assembling the cylinder :



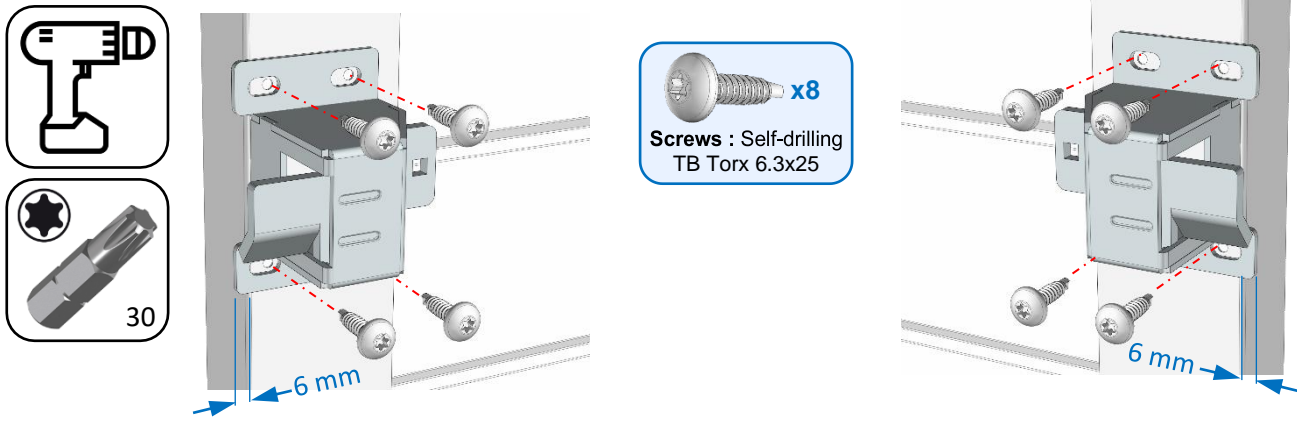
Preparing the latches (left and right) :

IMPORTANT

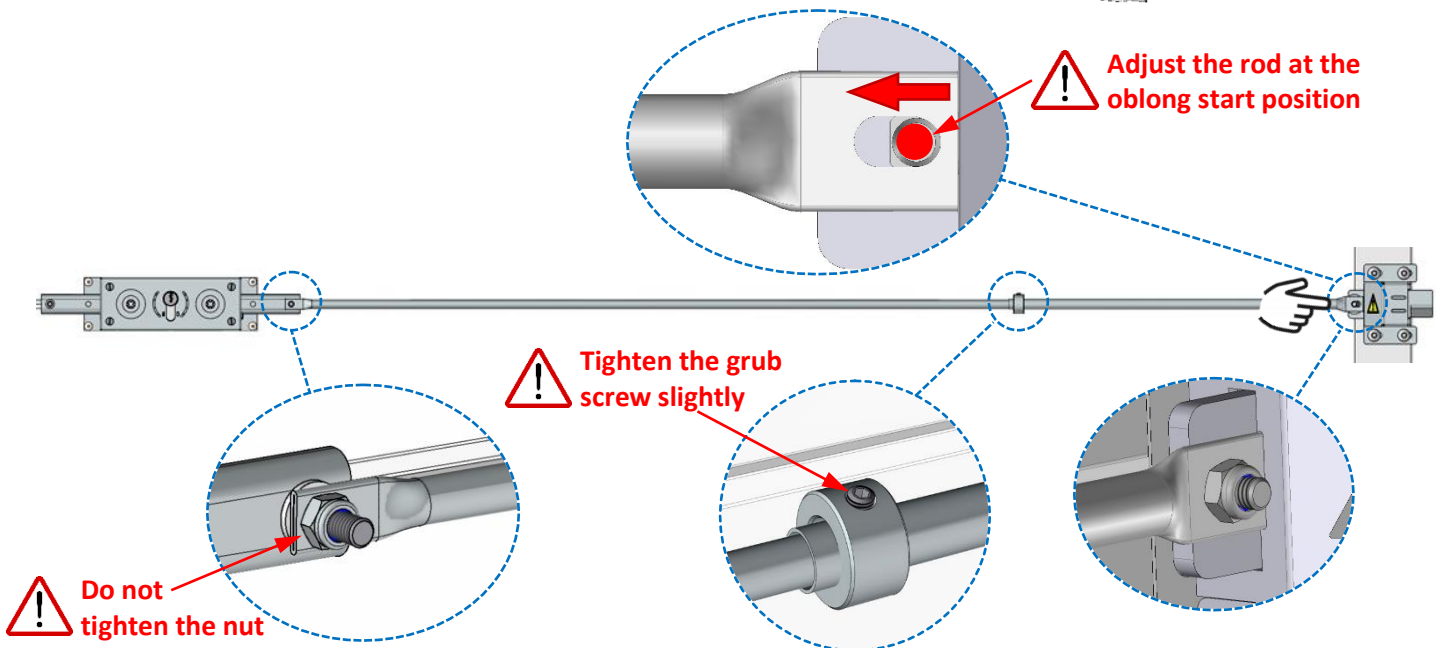
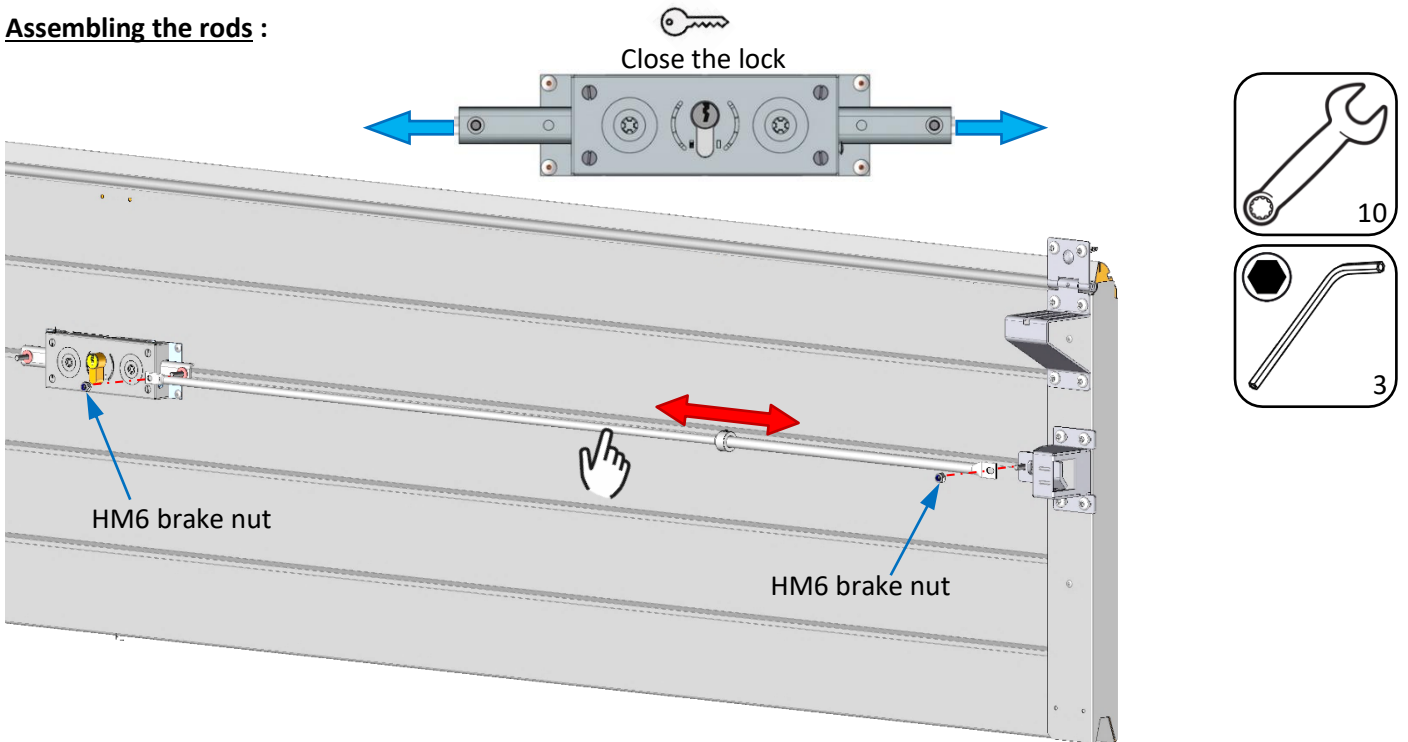
Remove the springs from the left and right bolts



Assembling the latches (left and right) :

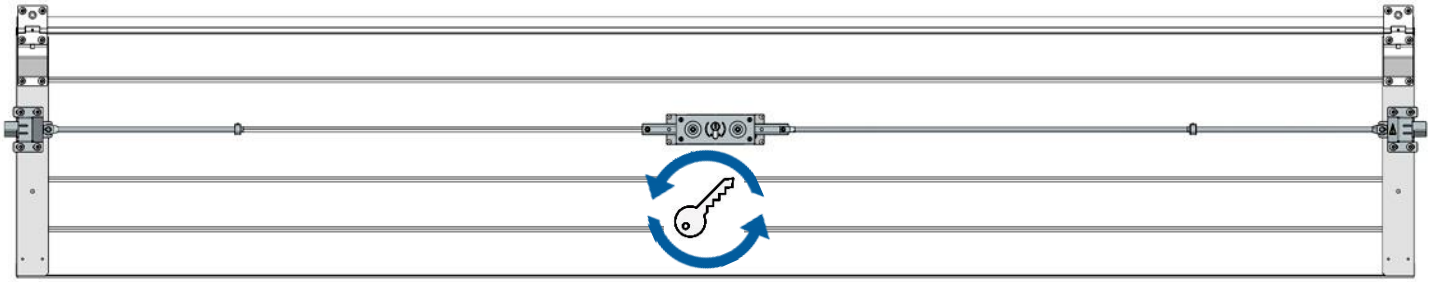


Assembling the rods :



Repeat the procedure for the second rod.

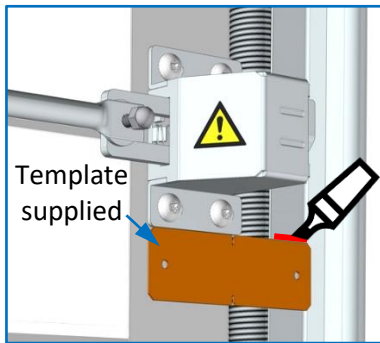
Checking the lock :



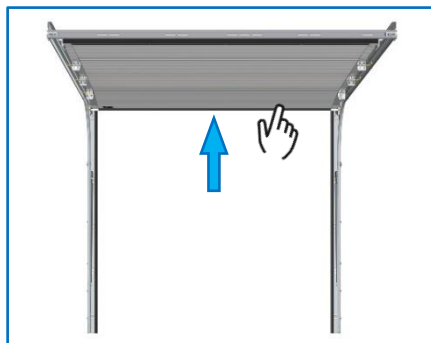
If necessary, return to the « **Assembling the rods** » section.

Positioning the strike plates :

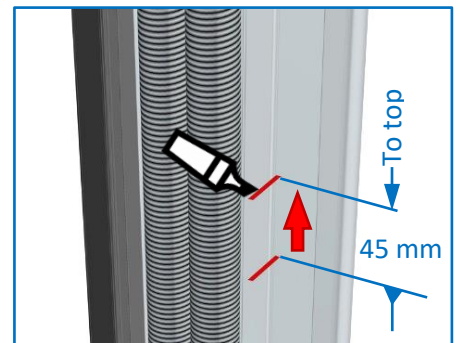
1- Mark out (on the 2 latches)



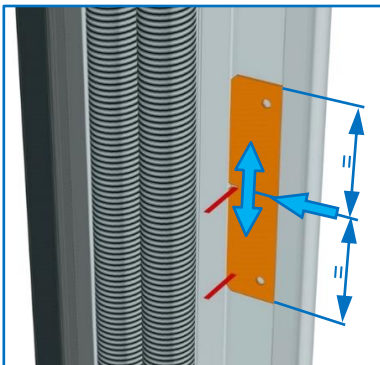
2- Open the shutter



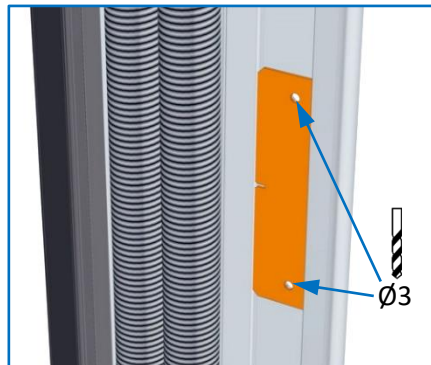
3- Offset the marking



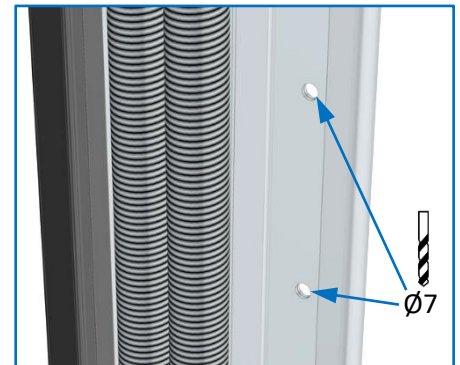
4- Position the template



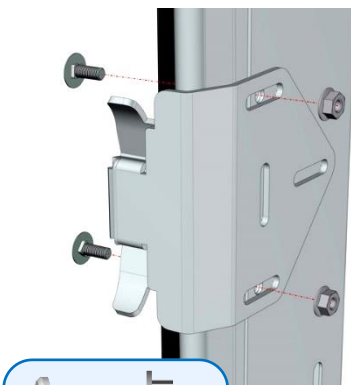
5- Mark out the drill holes



6- Drill the holes



Fixing the strike plates :



Screws : TRPCC M6x16
Nuts : H M6
(with notched base)

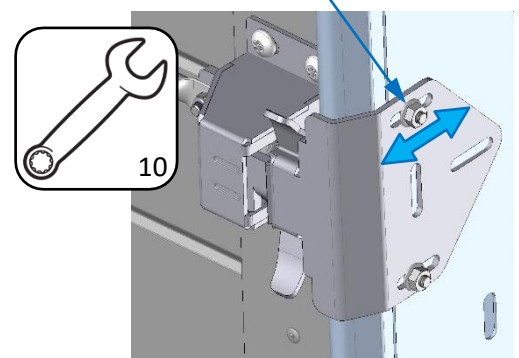
Do not fully tighten the nuts

Close the shutter



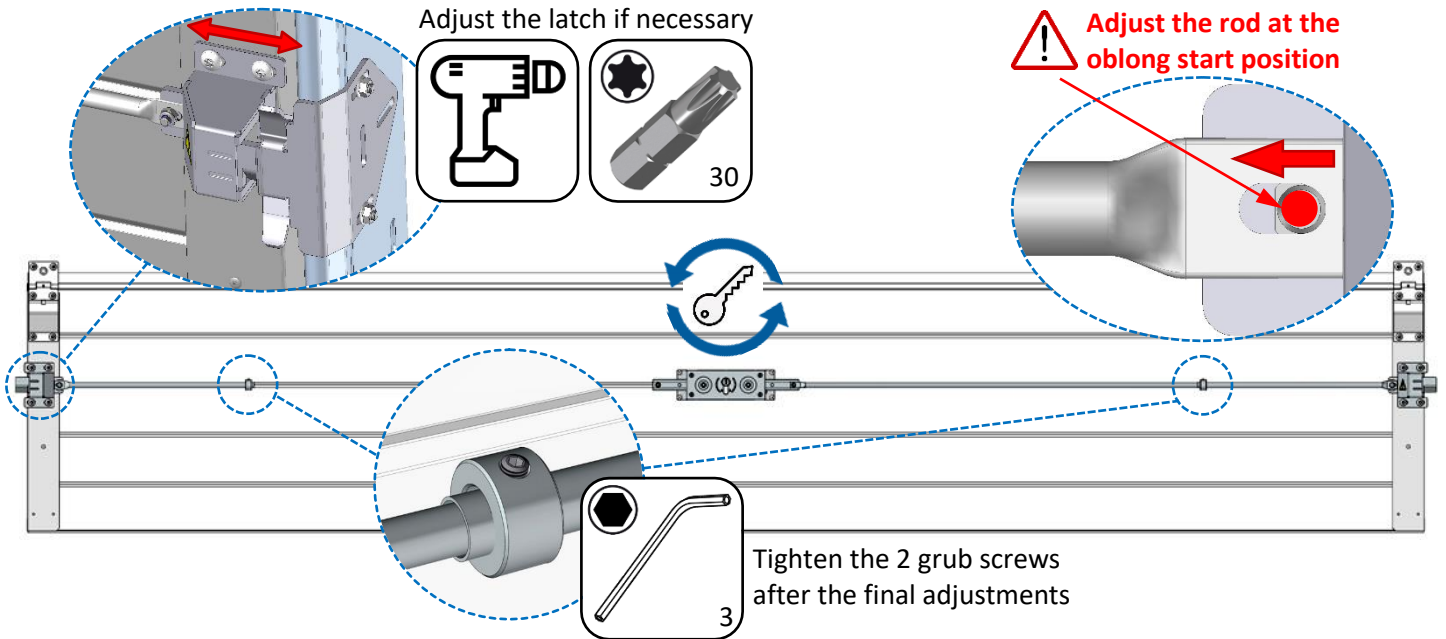
Close the lock

Adjust the strike plates
Tighten the nuts after adjusting

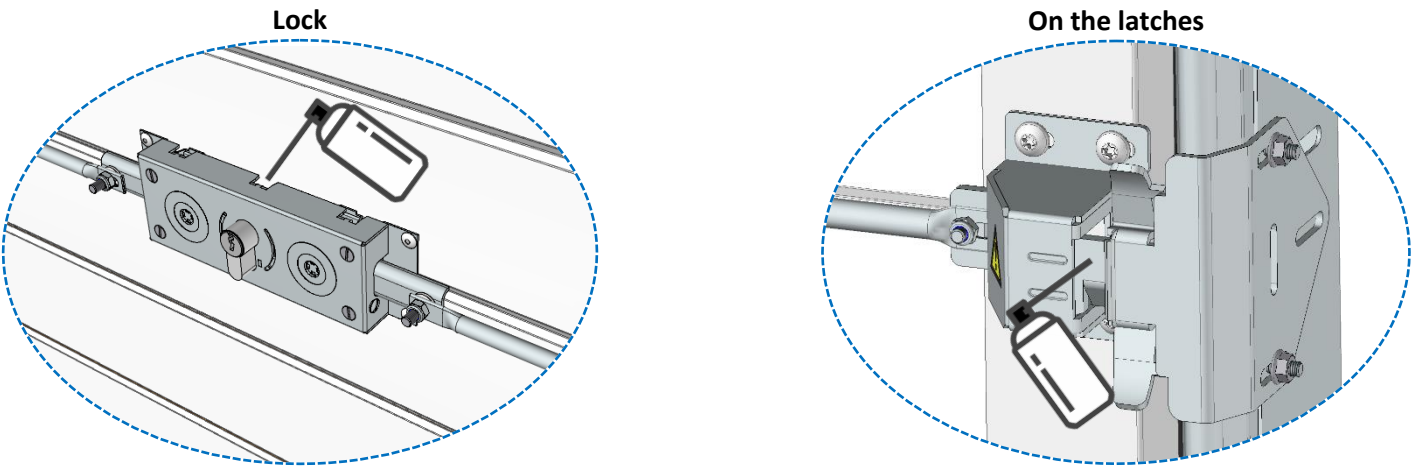


Allow some play between the strike plate and the latch

Checking the lock :



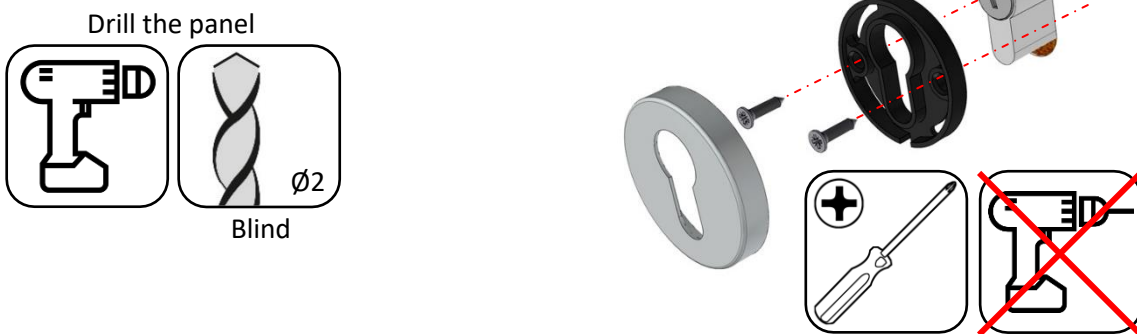
Lightly grease the lock and the 2 latches :



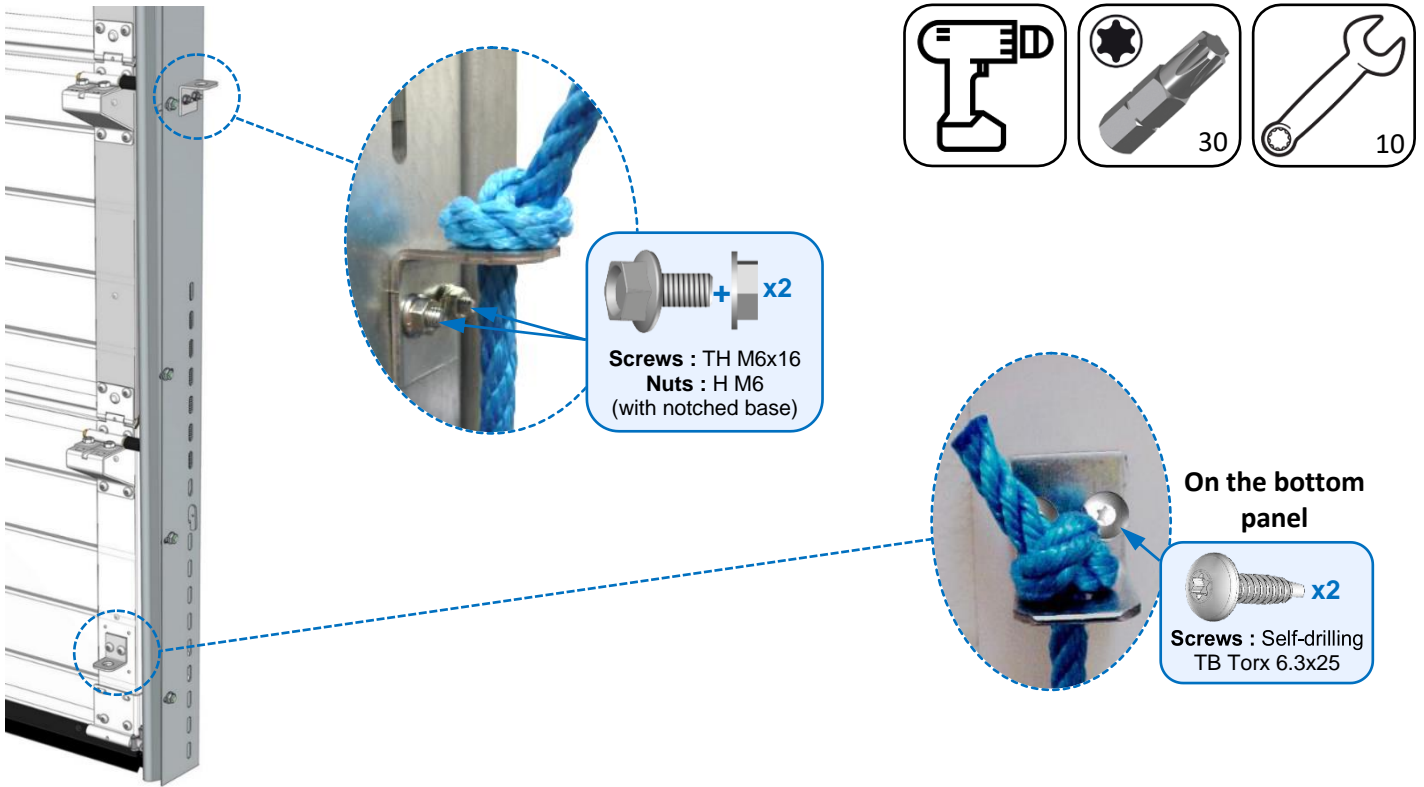
IMPORTANT :

If you feel a rough spot, check the installation of the latches, rods and strike plates.

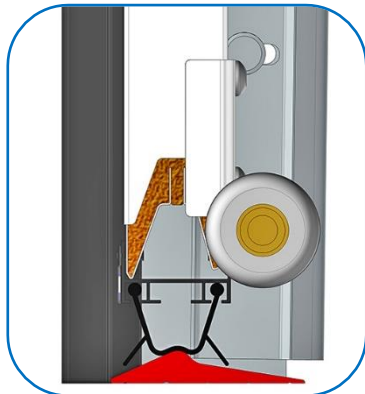
Fixing the cover plate :



Installing the pull cord (if manual door)



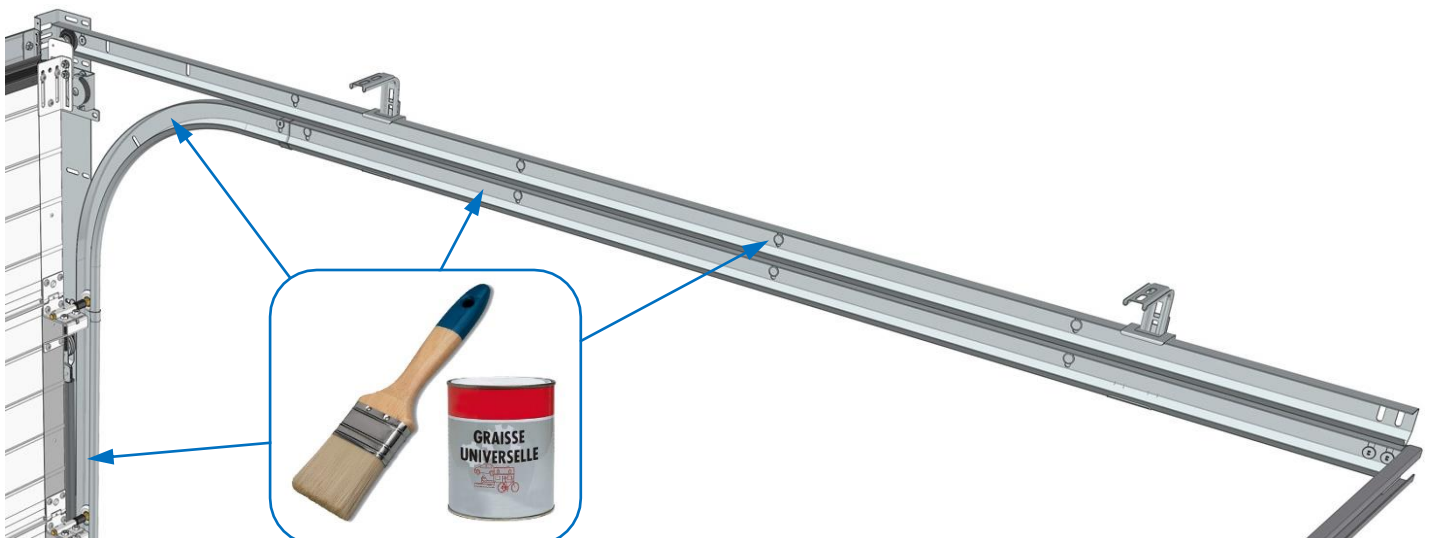
Weather seal (optional)



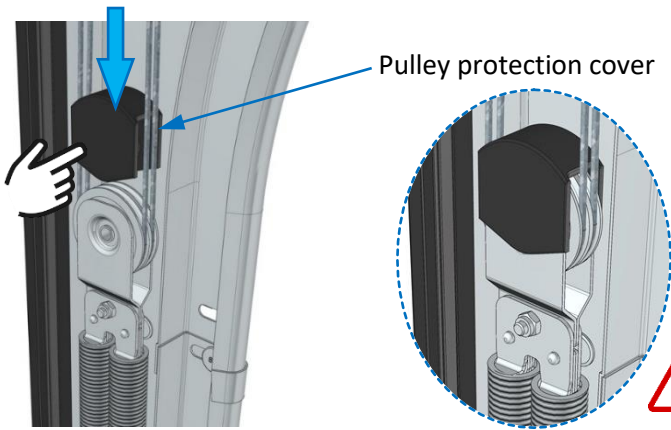
Weather seal section to be glued to the floor between the rails.

Refer to manual : Weather seal.

Greasing the bottom of the rails



Assembling the spring pulley covers

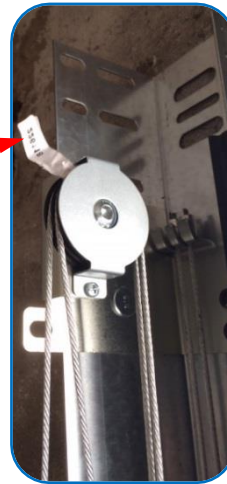


Pulley covers are not supplied if the rails are equipped with the protection cover option.

Cable labels



Remove the cable labels



Fixing the « SOMMER » operator to the back bar

30

13

x2
Nuts : H M8 (with notched base)

2 TRCC M8x50 screws

2 spacers

x2
Screws : Self-drilling TB Torx 6.3x25

Cut the hangers of the operator rail

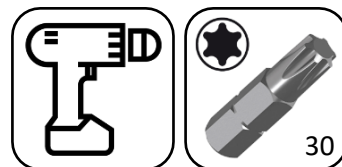
TD operator kit

Pro+ operator kit

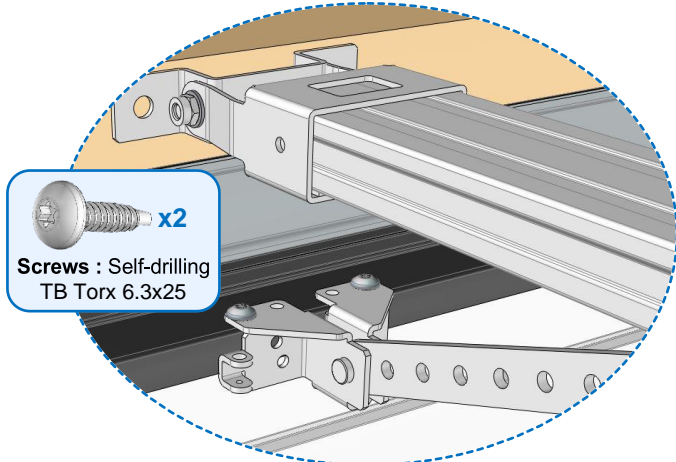
! This fastening kit is compatible exclusively with all « SOMMER » operators.

Fixing the FAAC and CAMÉ operators on the shutter

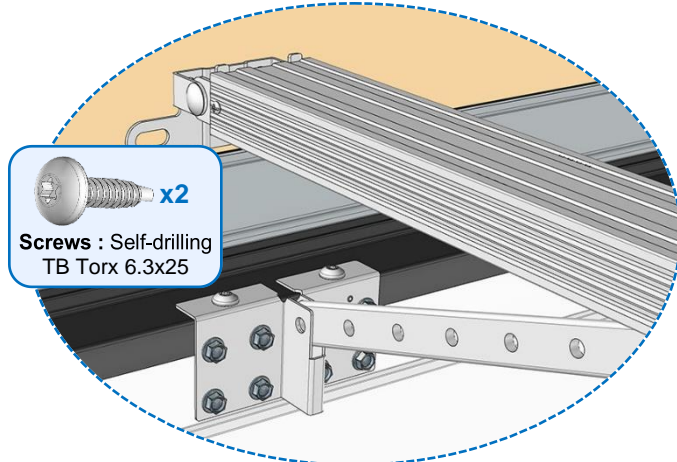
Securing the attachment
(screws supplied in repair kit)



FAAC operator



CAMÉ operator



FAAC operator (ref. DOLPHIN)

Min. OH	100 mm
Max. OH	720 mm
Opening	3,380 mm

CAMÉ operator (ref. K01MV-005)

Min. OH	125 mm
Max. OH	600 mm
Opening	3,230 mm

CAMÉ operator (ref. V6000)

Min. OH	125 mm
Max. OH	600 mm
Opening	3,175 mm