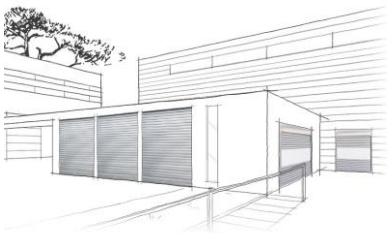


# Manual No. 1960

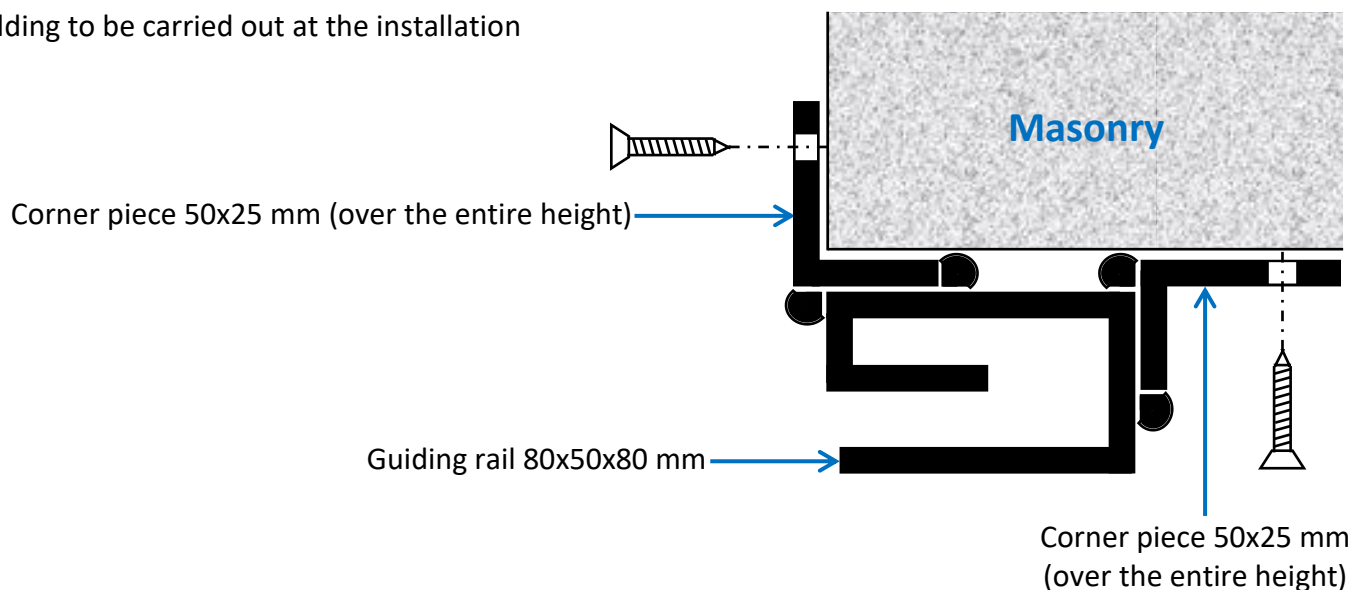
## FIXING

# Storm hooks for hurricane rolling shutters



**Murax P110 shutter**  
Axle diameter = 133 mm

 Welding to be carried out at the installation

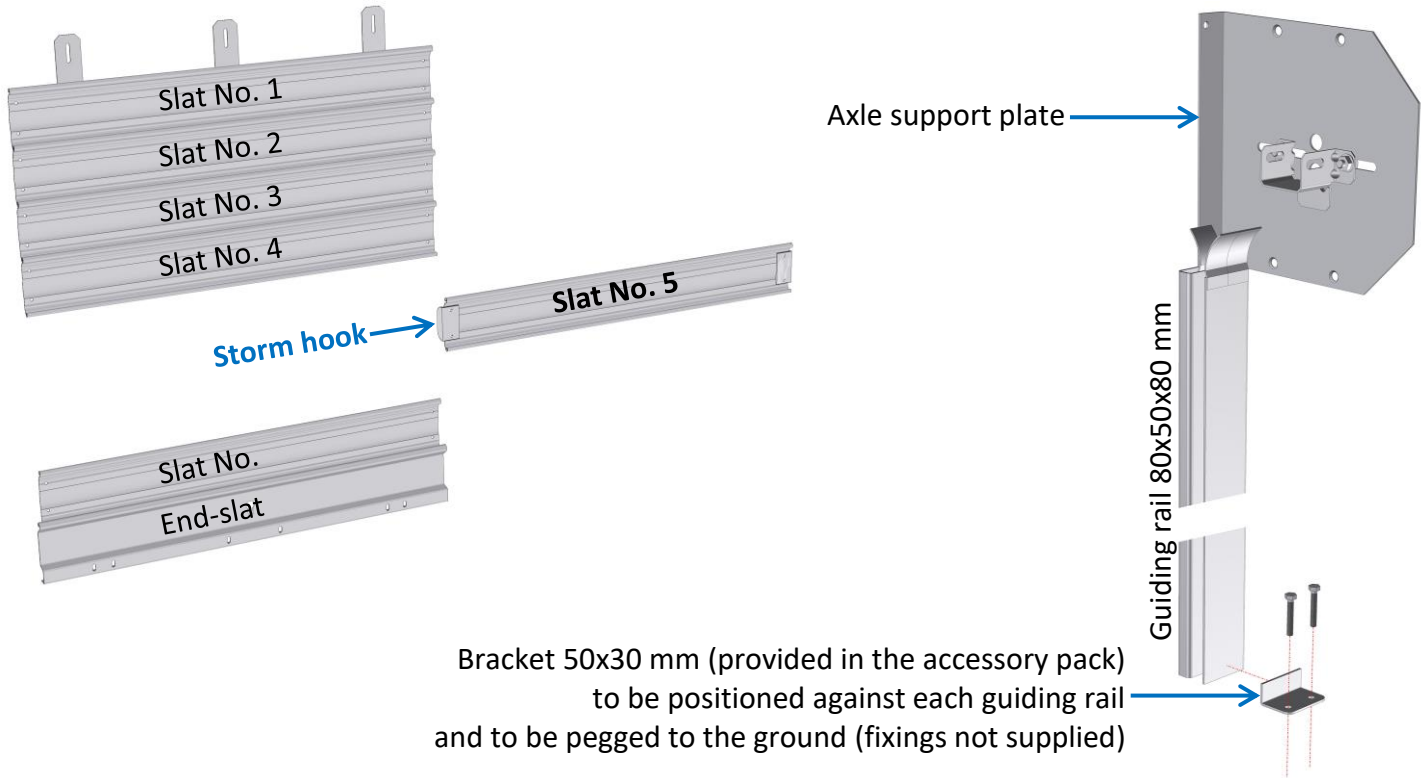


**If the reinforced clamps are welded onto the guiding rail :  
The corner piece of 50x25 mm must be recut, in order to fix it between the clamps.**

(Document reserved for installers)



**It is essential to follow the assembly order of the slats, starting from the winding axle (non-compliance will lead to incorrect functioning).**



**No. of slats with storm hooks, for axle of Ø133 mm :**

**5 - 9 - 13 - 18 - 23 - 28 - 33 - 38 - 43 - 48 - 53 - 58 - 60 - 64 - 69 - 72 - 77.**

## Clearance to be maintained for shutters equipped with storm hooks

**IMPORTANT :** Slats with storm hooks must be arranged as per the order stipulated above. Non-compliance with the assembly order of slats, will lead to incorrect functioning.

