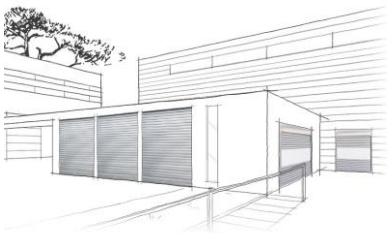


Manual No. 1990

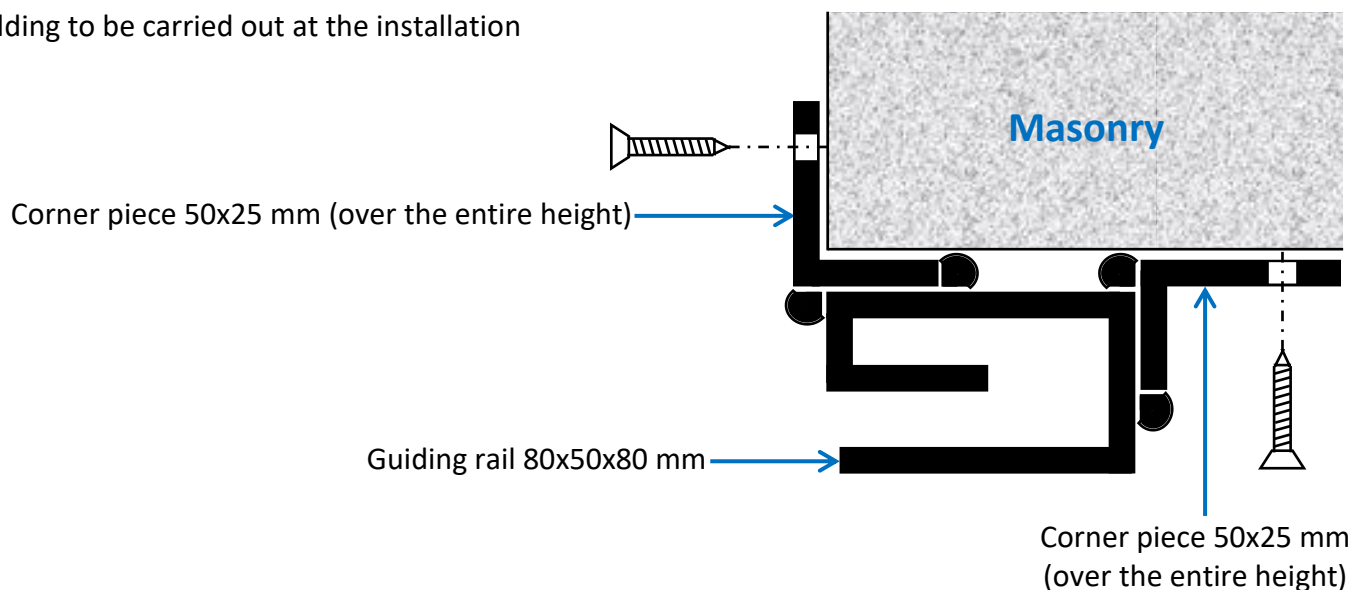
FIXING

Storm hooks for hurricane rolling shutters



Murax P110 shutter
Axle diameter = 220 mm

 Welding to be carried out at the installation

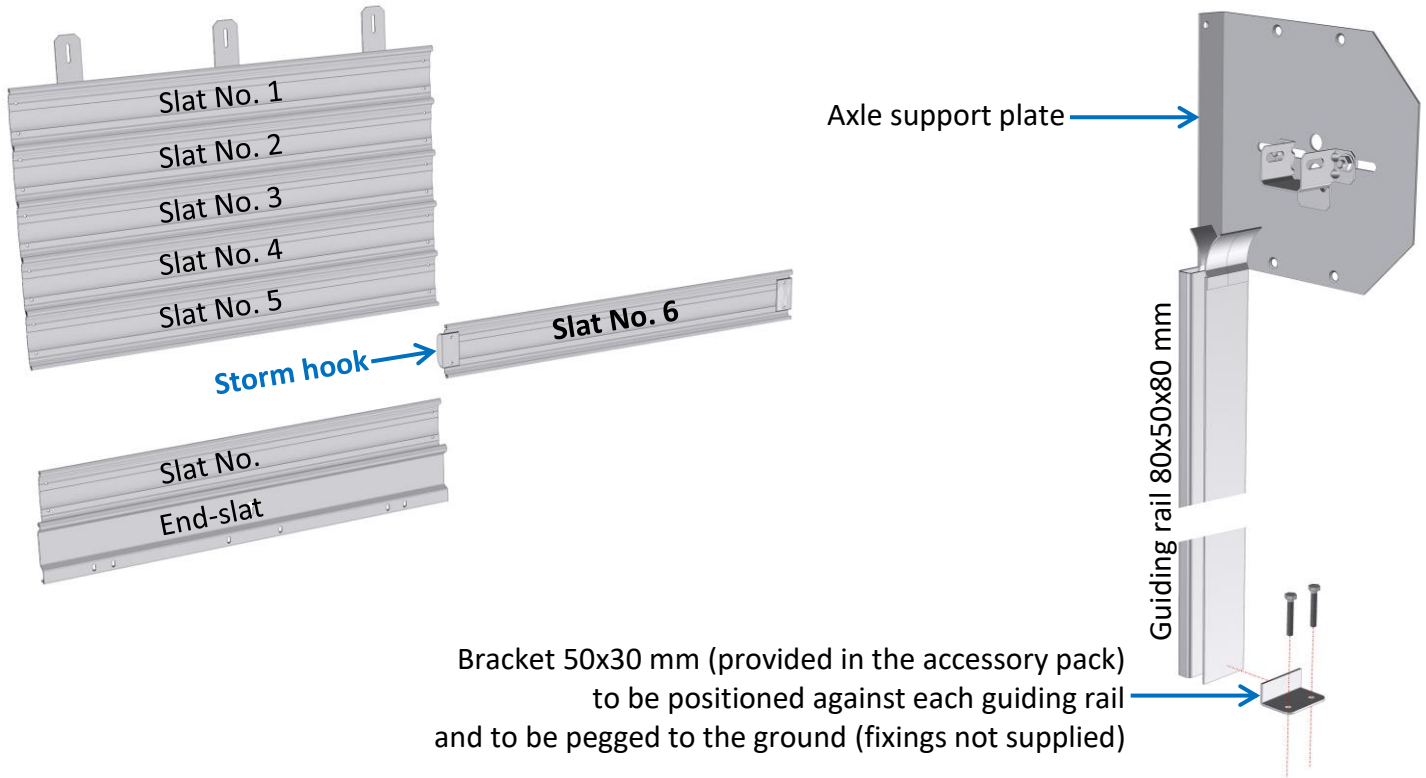


**If the reinforced clamps are welded onto the guiding rail :
The corner piece of 50x25 mm must be recut, in order to fix it between the clamps.**

(Document reserved for installers)



It is essential to follow the assembly order of the slats, starting from the winding axle (non-compliance will lead to incorrect functioning).



Bracket 50x30 mm (provided in the accessory pack) to be positioned against each guiding rail and to be pegged to the ground (fixings not supplied)

No. of slats with storm hooks, for axle of Ø220 mm :

6 - 11 - 16 - 21 - 26 - 31 - 36 - 39 - 43 - 47 - 50 - 54 - 58 - 62 - 66 - 70 - 74 - 79.

Clearance to be maintained for shutters equipped with storm hooks

IMPORTANT : Slats with storm hooks must be arranged as per the order stipulated above. Non-compliance with the assembly order of slats, will lead to incorrect functioning.

