

# Manual No. 7363

01/25

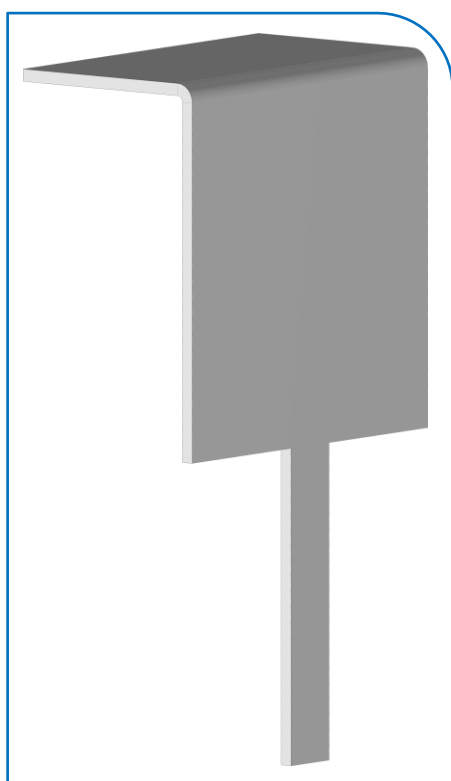
## ASSEMBLY

### Omega stiffener



**Sectional doors**  
Villa, Grande Villa and Industry

Installation aid

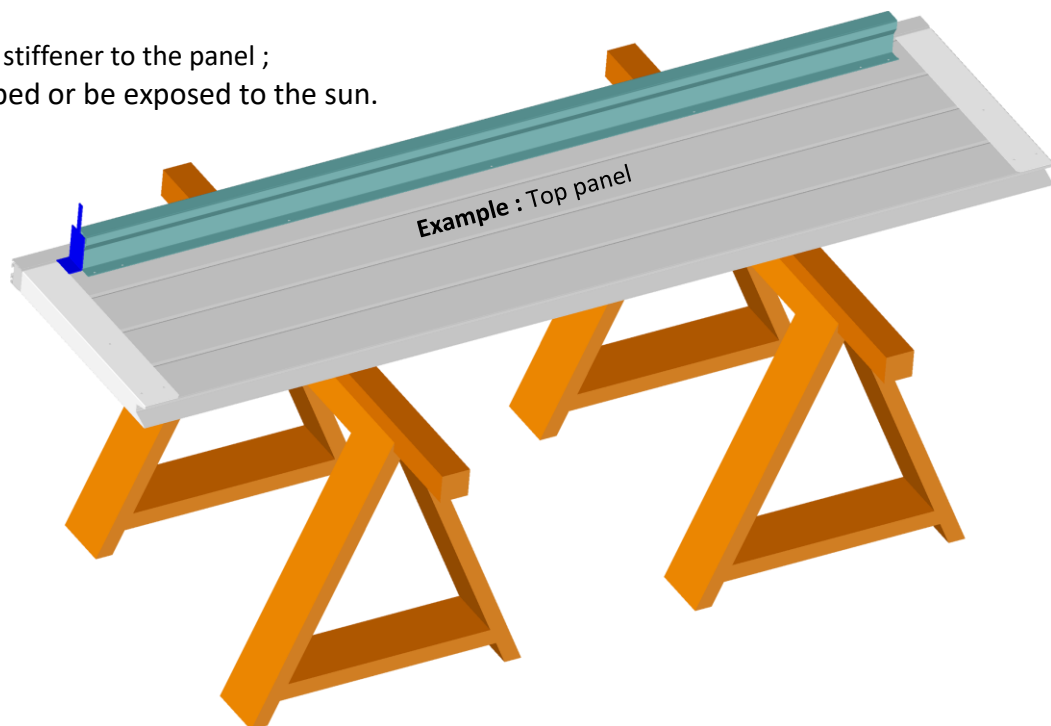


(Document reserved for installers)

# ! IMPORTANT !

Assemble the stiffeners flat on the panels

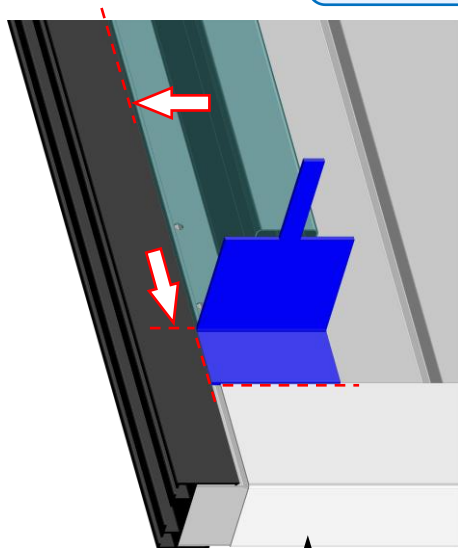
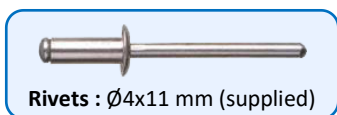
**Information :** When fitting the stiffener to the panel ; the panel must not have warped or be exposed to the sun.



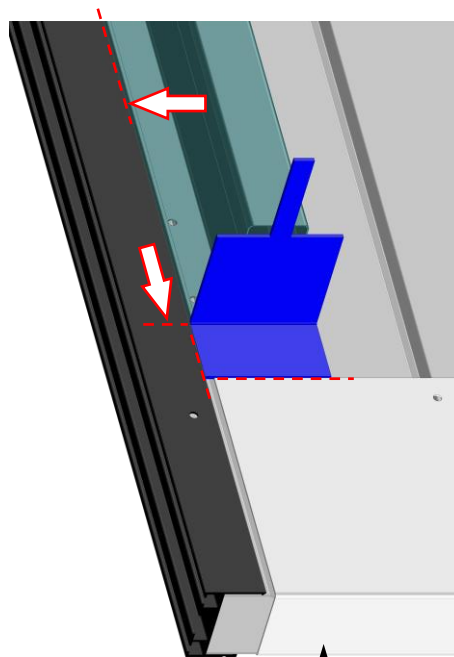
## Assembling on a top panel

### Single or double edged column

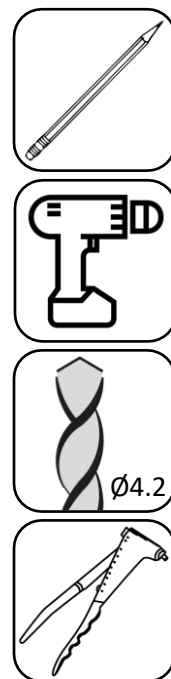
1. Place the installation aid as shown below, to position the stiffener on the panel.
2. Rest the stiffener against the top profile and mark its position using the holes on the stiffener.
3. Drill the panel (depth : 30 mm max.) and rivet the stiffener.



Single edged column  
(PW\* ≤ 5000 mm)



Double edged column  
(PW\* > 5000 mm)



\*PW = Passage width.

# ! IMPORTANT! !

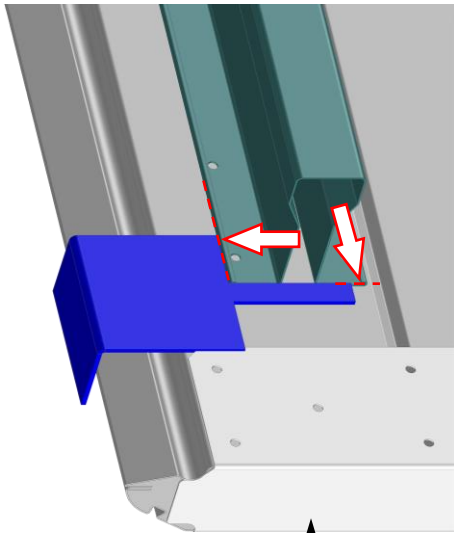
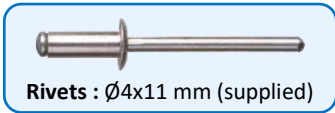
**Before fitting the stiffeners to the other panels, refer to the order of installation of the stiffeners based on sun or wind exposure, as detailed on the following pages.**

**NB : If you are confronted with both types of exposure, give preference to wind exposure.**

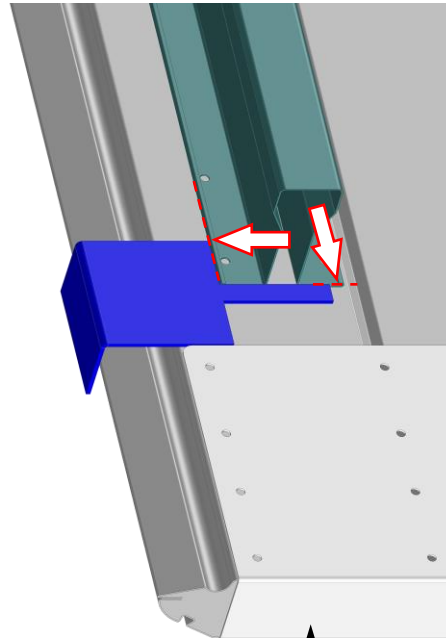
## Assembling on an intermediate or bottom panel

### Single or double edged column

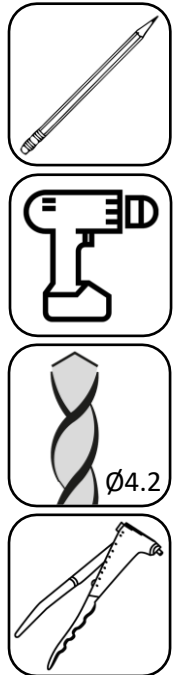
1. Place the installation aid as shown below, to position the stiffener on the panel.
2. Rest the stiffener against the tool and mark its position using the holes on the stiffener.
3. Drill the panel (depth : 30 mm max.) and rivet the stiffener.



Single edged column  
(PW\* ≤ 5000 mm)



Double edged column  
(PW\* > 5000 mm)



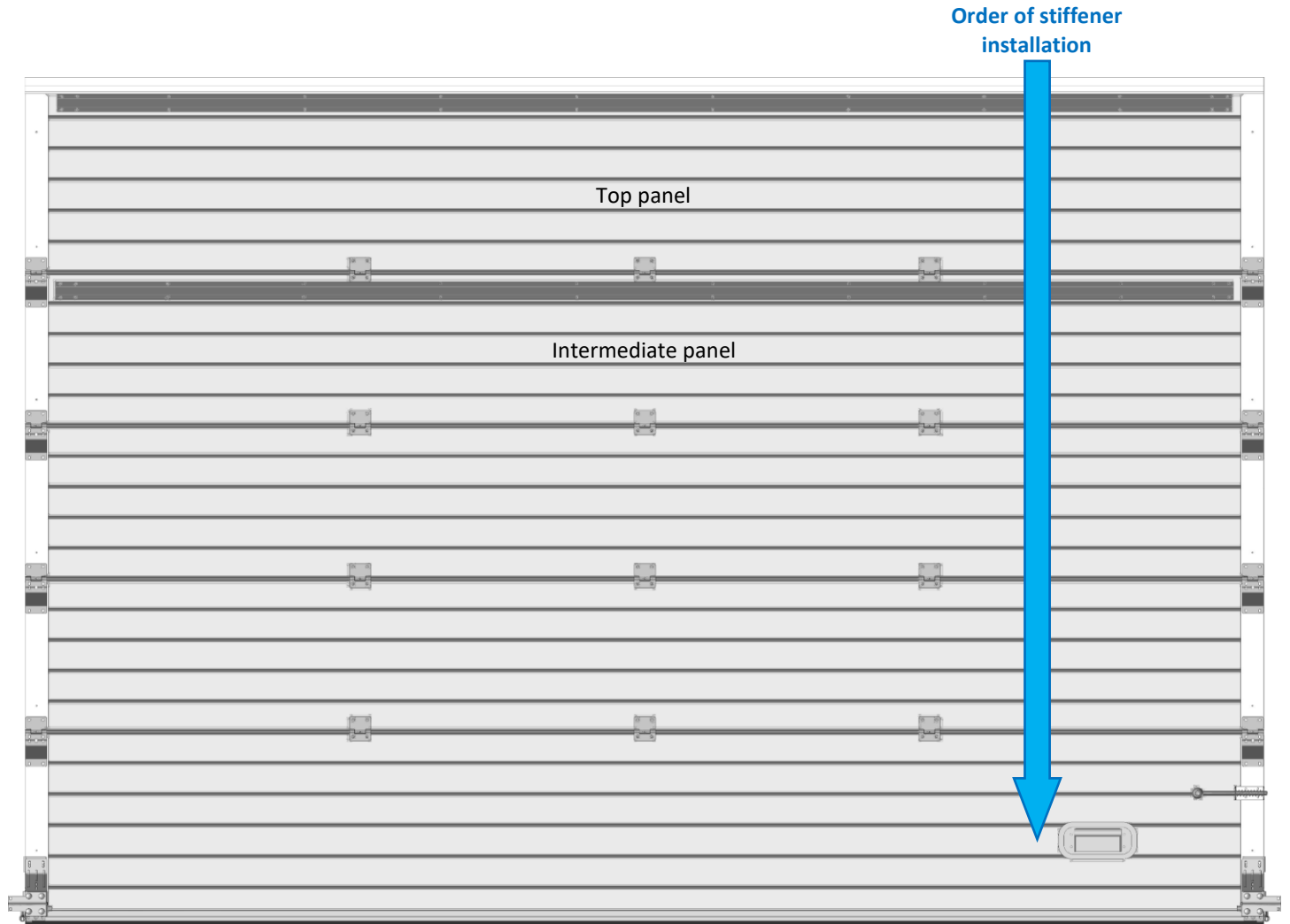
\*PW = Passage width.

**IMPORTANT : Assemble the shutter in the same order as the stiffeners.**

## Order of stiffener installation, if your door is **exposed to the sun**

If 2 stiffeners are provided, they must be fitted to the top panel and to the intermediate panel below.

**NB :** If additional pairs of stiffeners are provided, fit them one after the other on the other panels, working from top to bottom.



# Order of stiffener installation, if your door is exposed to the wind (without window)

**IMPORTANT :** If top panel < 250 mm, install the stiffener on the intermediate panel below.

## For a 3-panel door

Carry out in this order : (3) (1) (2)

3
2
1

## For a 4-panel door

Carry out in this order : (4) (2) (1) (3)

4
3
2
1

## For a 5-panel door

Carry out in this order : (5) (3) (1) (4) (2)

5
4
3
2
1

## For a 6-panel door

Carry out in this order : (6) (4) (2) (1) (5) (3)

6
5
4
3
2
1

## For a 7-panel door

Carry out in this order : (7) (5) (3) (1) (6) (4) (2)

7
6
5
4
3
2
1

## For an 8-panel door

Carry out in this order : (8) (6) (4) (2) (1) (7) (5) (3)

8
7
6
5
4
3
2
1

## For a 9-panel door

Carry out in this order : (9) (7) (5) (3) (1) (8) (4) (6) (2)

9
8
7
6
5
4
3
2
1

**For example :** If you have a 4-panel door, and if 2 stiffeners are delivered, position them on panels 4 and 2.

# If your door is exposed to the wind (1 row of windows)

**IMPORTANT :** If top panel < 250 mm, install the stiffener on the intermediate panel below.

## For a 3-panel door

Carry out in this order : (3) (H2) (1)

3
H2
1

## For a 4-panel door

Carry out in this order : (4) (H3) (2) (1)

4
H3
2
1

## For a 5-panel door

Carry out in this order : (5) (H3) (2) (4) (1)

5
4
H3
2
1

## For a 6-panel door

Carry out in this order : (6) (H3) (2) (5) (4) (1)

6
5
4
H3
2
1

## For a 7-panel door

Carry out in this order : (7) (H3) (5) (2) (6) (4) (1)

7
6
5
4
H3
2
1

## For an 8-panel door

Carry out in this order : (8) (H3) (5) (2) (7) (1) (6) (4)

8
7
6
5
4
H3
2
1

## For a 9-panel door

Carry out in this order : (9) (H3) (5) (7) (2) (8) (6) (4) (1)

9
8
7
6
5
4
H3
2
1

**For example :** If you have a 4-panel door, and if 2 stiffeners are delivered, position them on panels 4 and H3.

**IMPORTANT :** If panel H3 (windows) is not in position 3, it will replace one of the panels without windows.  
E.g. For a 5-panel door : 1/2/H3/4/5 → 1/2/3/H4/5.

# If your door is exposed to the wind (2 rows of windows)

**IMPORTANT :** If top panel < 250 mm, install the stiffener on the intermediate panel below.

## For a 4-panel door

Carry out in this order : (4) (H2) (H3) (1)

4
H3
H2
1

## For a 5-panel door

Carry out in this order : (5) (H3) (H4) (2) (1)

5
H4
H3
2
1

## For a 6-panel door

Carry out in this order : (6) (H3) (H4) (1) (5) (2)

6
5
H4
H3
2
1

## For a 7-panel door

Carry out in this order : (7) (H3) (H4) (1) (5) (6) (2)

7
6
5
H4
H3
2
1

## For an 8-panel door

Carry out in this order : (8) (H3) (H4) (6) (1) (7) (5) (2)

8
7
6
5
H4
H3
2
1

## For a 9-panel door

Carry out in this order : (9) (H3) (H4) (6) (1) (8) (5) (7) (2)

9
8
7
6
5
H4
H3
2
1

**For example :** If you have a 4-panel door, and if 2 stiffeners are delivered, position them on panels 4 and H2.

**IMPORTANT :** If panels H3 and H4 (windows) are not in positions 3 and 4, they will replace the 2 panels without windows. E.g. For a 7-panel door : 1/2/H3/H4/5/6/7 → 1/2/3/H4/5/H6/7.