

Manual No. 7041

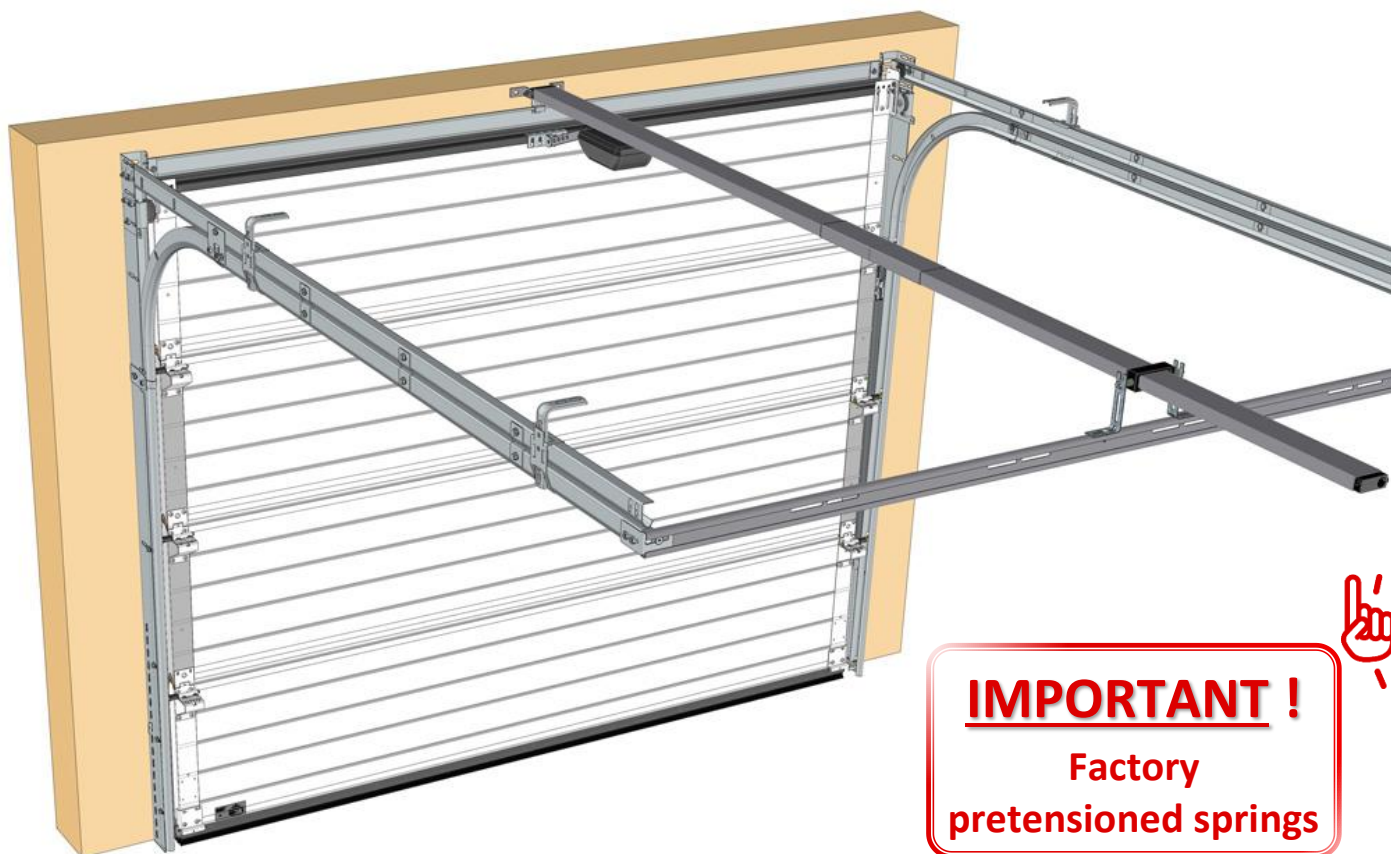
03/25

INSTALLATION

Residential garage doors Manual or Motorised



RE100
(Extension Springs)



IMPORTANT !
Factory
pretensioned springs



(Document reserved for installers)

Contents

Installation instruction.....	3
Before installation	4
Required equipment.....	4
Kit contents for each door configuration/option	5
Kits for MOTORISED and MANUAL doors.....	5
Kits for MOTORISED doors.....	6
Kits for MANUAL doors.....	6
Vertical rail installation.....	7
Checking the bay	7
As standard : Mounting of vertical seals	7
As standard : Mounting the brackets and the seal on the cross-member	8
Thermal insulation OPTION : Mounting of vertical seals	8
Thermal insulation OPTION : Mounting the brackets and the seal on the cross-member.....	9
Fixing of the cross-member to the floor.....	9
Layout of the frame	10
Fixing the vertical rails	10
Horizontal rail installation	11
Mounting of the stops (motorised doors).....	11
Assembling of curves.....	11
Fixing the horizontal rails	12
Assembling the back bar brackets.....	13
Installing the back bar	13
Installing the hangers	14
Back bar extension (option).....	14
Checking the diagonals.....	15
Mounting of the panels	15
Grease all roller shafts.....	15
Panels preparation	16
Installing the bottom panel	17
Secure mounting of the panels on both sides	17
Installing the intermediate panel(s)	18
Installing the top panel.....	18
Removal of top safety parts	19
Opening of the door	20
Checking the balance.....	20
Adjusting the spring tension.....	21
Fixing vertical rails at the level right & left pulleys.....	21
Finishes	22
Adjusting and fixing of the cross-member	22
Adjusting the rollers	22
Fixing the upper roller supports	22
Mounting the handle.....	23
Mounting the latch (optional on motorised doors)	23
Mounting of the lock (optional on motorised and manual doors).....	24
Installing the pull cord (if manual door).....	28
Installation of opening stop (if manual door).....	28
Weather seal (optional).....	28
Greasing the bottom of the rails	28
Mounting of spring pulley covers	29
Cable labels.....	29
Fixing the « SOMMER » operator to the back bar.....	29
Fixing the « FAAC or CAMÉ » operators on the panel.....	30

Installation instruction



**To ensure that this product is assembled,
used and maintained in complete safety,
it is important to follow the instructions provided in this document.
For everyone's safety, please adhere to the precautionary measures below.**

- Before beginning the assembly, read this manual carefully.
- This closure must be installed by a professional technician.
- All the parts delivered are specifically sized for this product.
Adding and/or using other parts may be detrimental to safety and may affect the product's warranty.
- Any modification or improvement of this closure must be compliant with the standard BS EN 13241:2003+A2:2016.
In this case, a " Modification/Transformation " file must be created by the installer as per the standard BS EN 12635 :2002+A1 :2008 annex C.
- Considerable force is exerted by the extension springs ;
carry out work in accordance with the safety instructions.
Use the appropriate tools to install these products.
Ensure that all work is carried out on a stable floor.
- Ensure that the assembly area is adequately lit, clear, clean and clearly marked out.
- Ensure that no other people are present at the assembly site apart from the installers.
Indeed, non-authorized persons such as children, who are present at the site risk injury during assembly.
- All the components of this closure must be installed in compliance with the installation instructions provided in this manual.
- All the requirements of the standards BS EN 13241:2003+A2:2016 must be met and verified, if necessary.

Max. tightening torque :

Assembly screws = 10 Nm

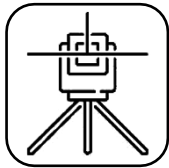
Panels mounting screws = 12 Nm

Min. working load per attachment point :

Rails = 40 daN

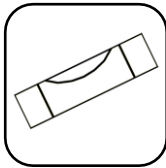
Before installation

Required equipment

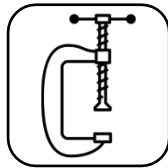


Laser level

or



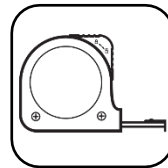
Spirit level



Clamps



Plumb bob



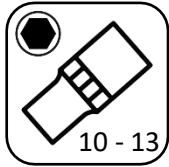
Tape measure



Utility knife



Electric screwdriver



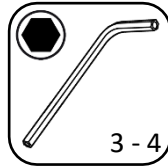
Sockets
10 - 13



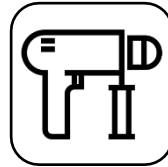
Cruciform bit



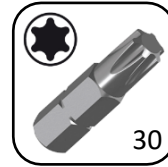
Flat keys
10 - 13



Allen keys
3 - 4



Perforator



Torx bit
30



Ladder



Phillips screwdriver



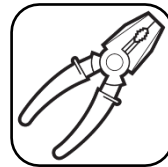
Flat screwdriver



Pencil



Grinder



Combination pliers



Cutting pliers



Locking pliers



Steel drill bits
Ø2-4,2-4,5-10-13



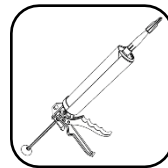
Hammer



Rivet gun



Hacksaw



Silicone seal



Brush



Pot of grease



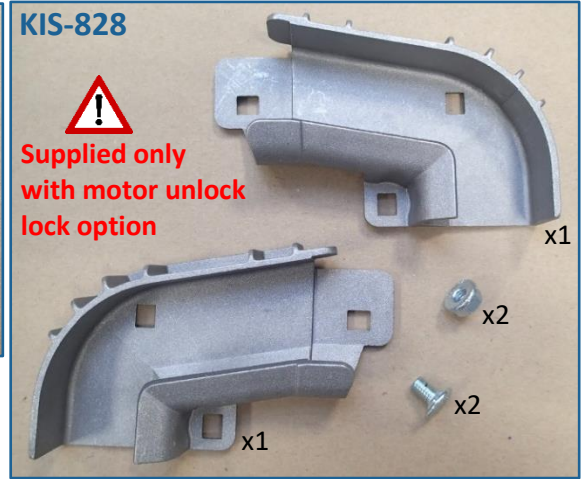
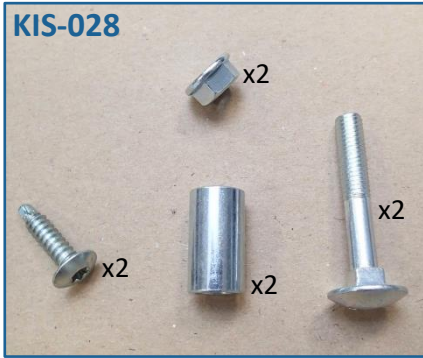
Grease spray

Kit contents for each door configuration/option

Kits for MOTORIZED and MANUAL doors

<p>KIS-032</p> <p>x24 x4 x4</p>	<p>KIS-033</p> <p>x12 x3</p>	<p>KIS-839</p> <p>x2</p>	<p>KIS-865</p> <p>x2 x2 x4 x4</p>
<p>KIS-822</p> <p>x6 x2 x6</p>	<p>KIS-823</p> <p>x1 x6 x6 x1</p> <p style="text-align: center;">OR</p>		<p>KIS-824 & 825</p> <p>x8 and x6 x8 and x6</p>
<p>KIS-830</p> <p>x8 x4 x1 x1 x2 x1 x1</p>	<p>KIS-826</p> <p>x2 x4 x1 x2 x2</p>	<p>KIS-829</p> <p>x4 x4 x4</p>	
<p>KIS-840</p> <p>x4 x4 x2 x1 x1 x8</p>	<p>KIS-860</p> <p>x2 x4 x4 x4</p>	<p>KIS-861</p> <p>x2 x2 x2</p>	
<p>KIS-092</p> <p>x16 x4 x4</p>	<p>KIS-835 or 836</p> <p>x4 or x6</p>		

Kits for MOTORISED doors

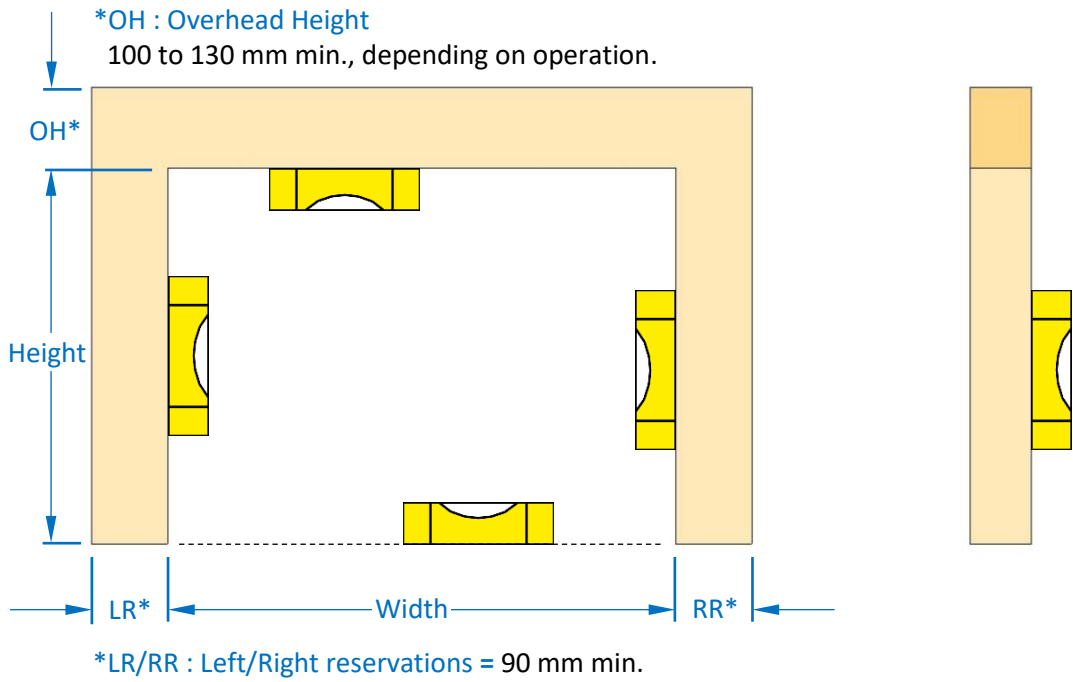
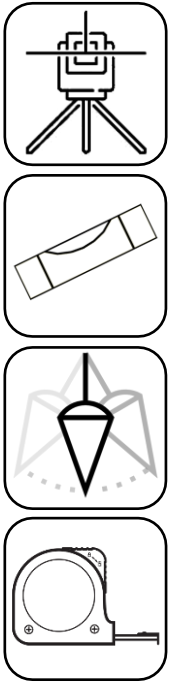


Kits for MANUAL doors

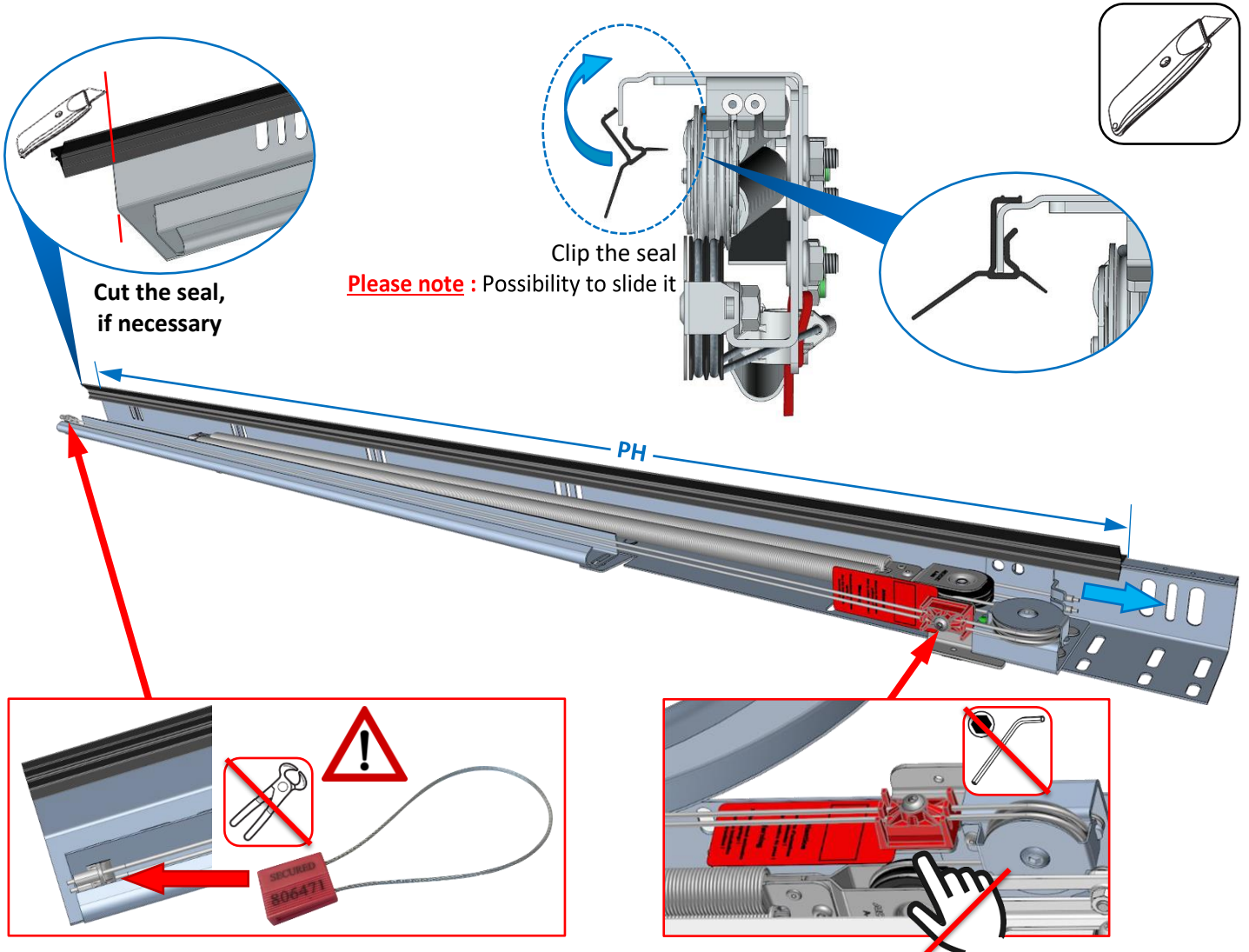


Vertical rail installation

Checking the bay



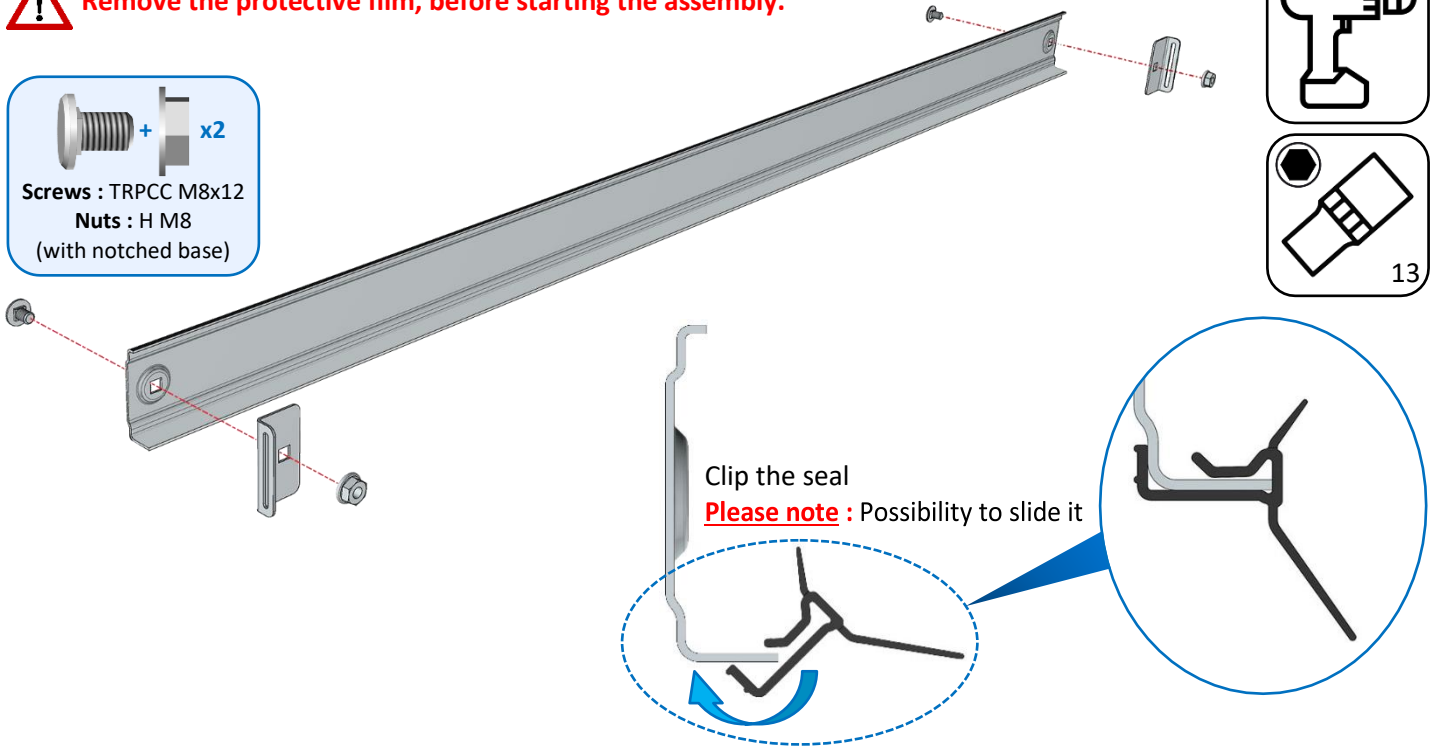
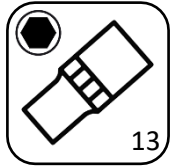
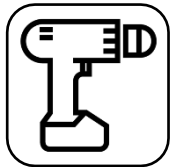
As standard : Mounting of vertical seals



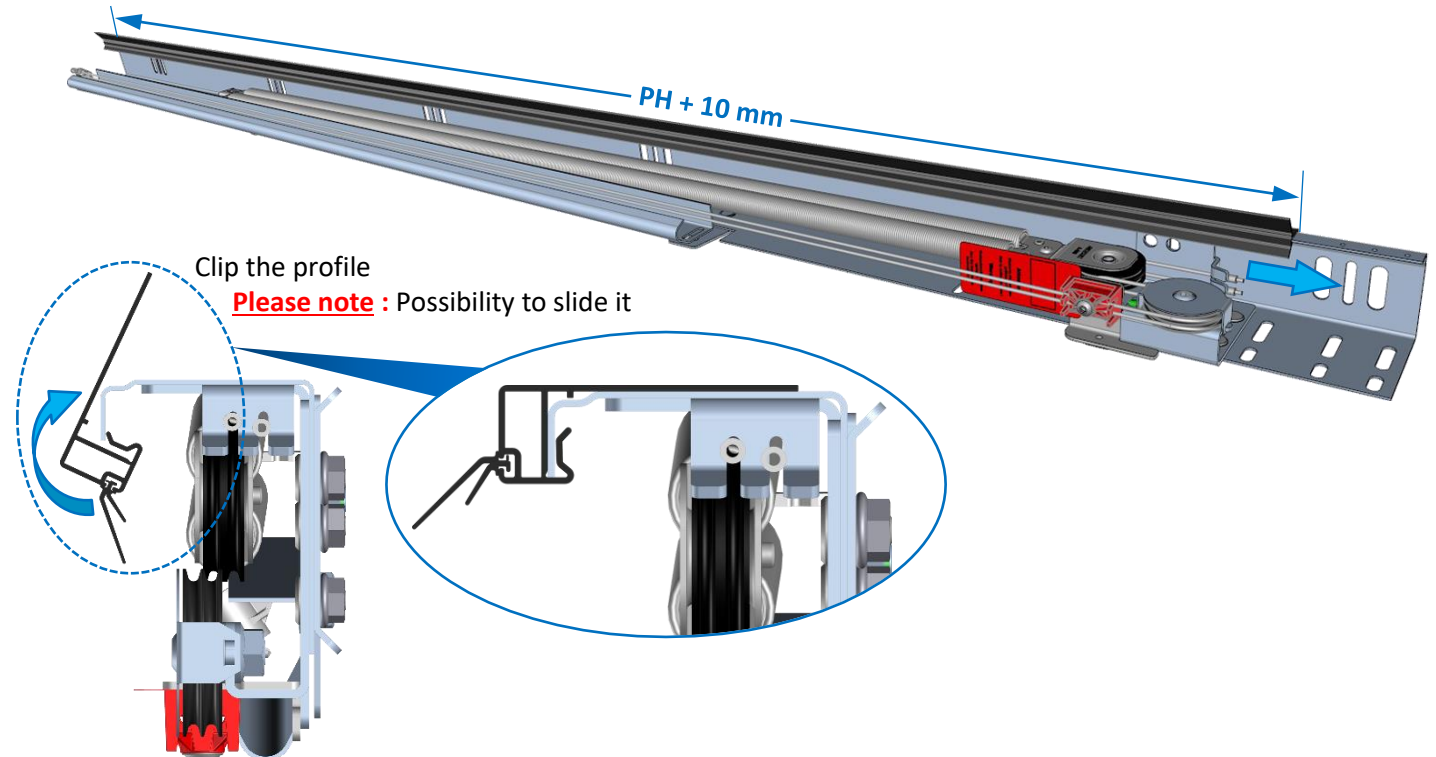
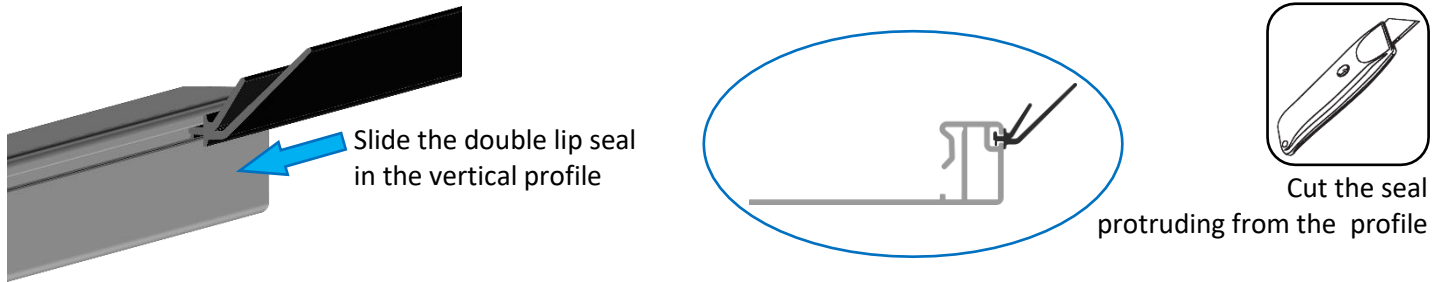
As standard : Mounting the brackets and the seal on the cross-member

! Remove the protective film, before starting the assembly.

Screws : TRPCC M8x12
Nuts : H M8
 (with notched base)



Thermal insulation OPTION : Mounting of vertical seals



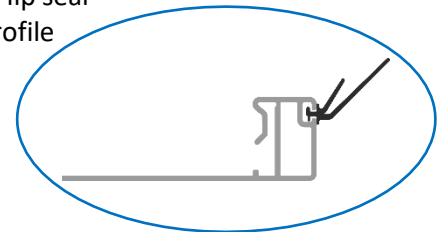
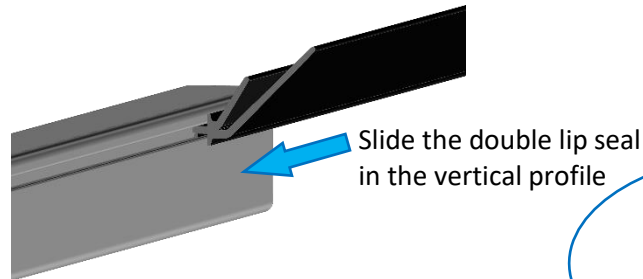
Thermal insulation OPTION : Mounting the brackets and the seal on the cross-member

! Remove the protective film, before starting the assembly.

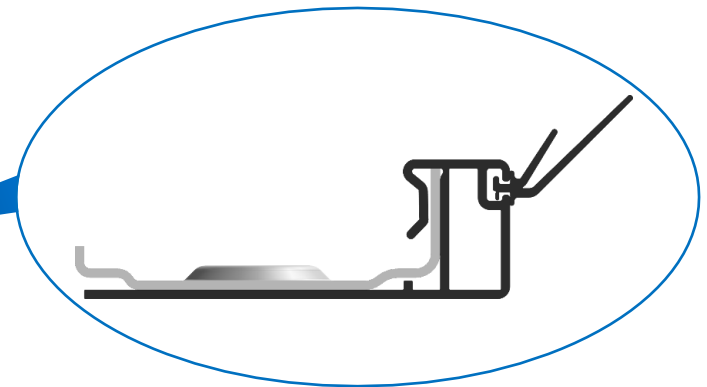
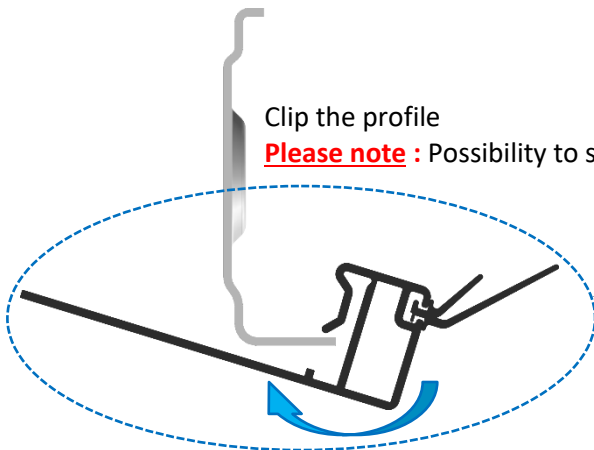
Screws : TRPCC M8x12
Nuts : H M8
(with notched base)



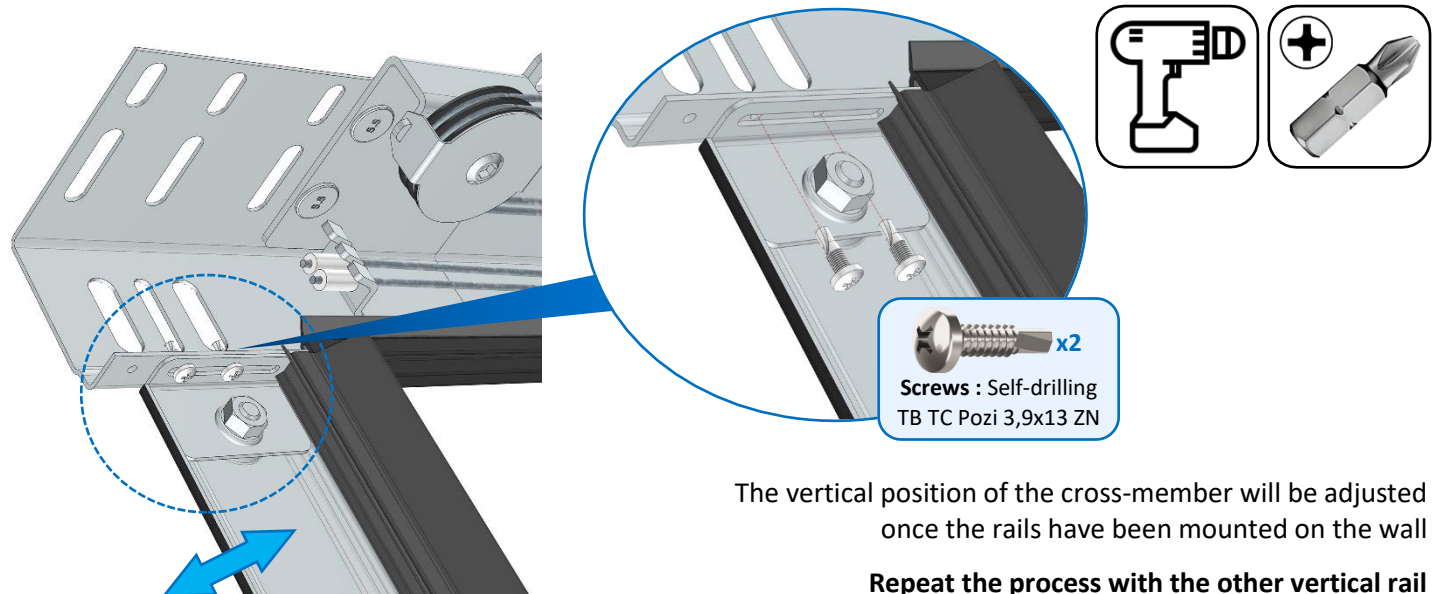
Cut the seal protruding from the profile



Clip the profile
Please note : Possibility to slide it



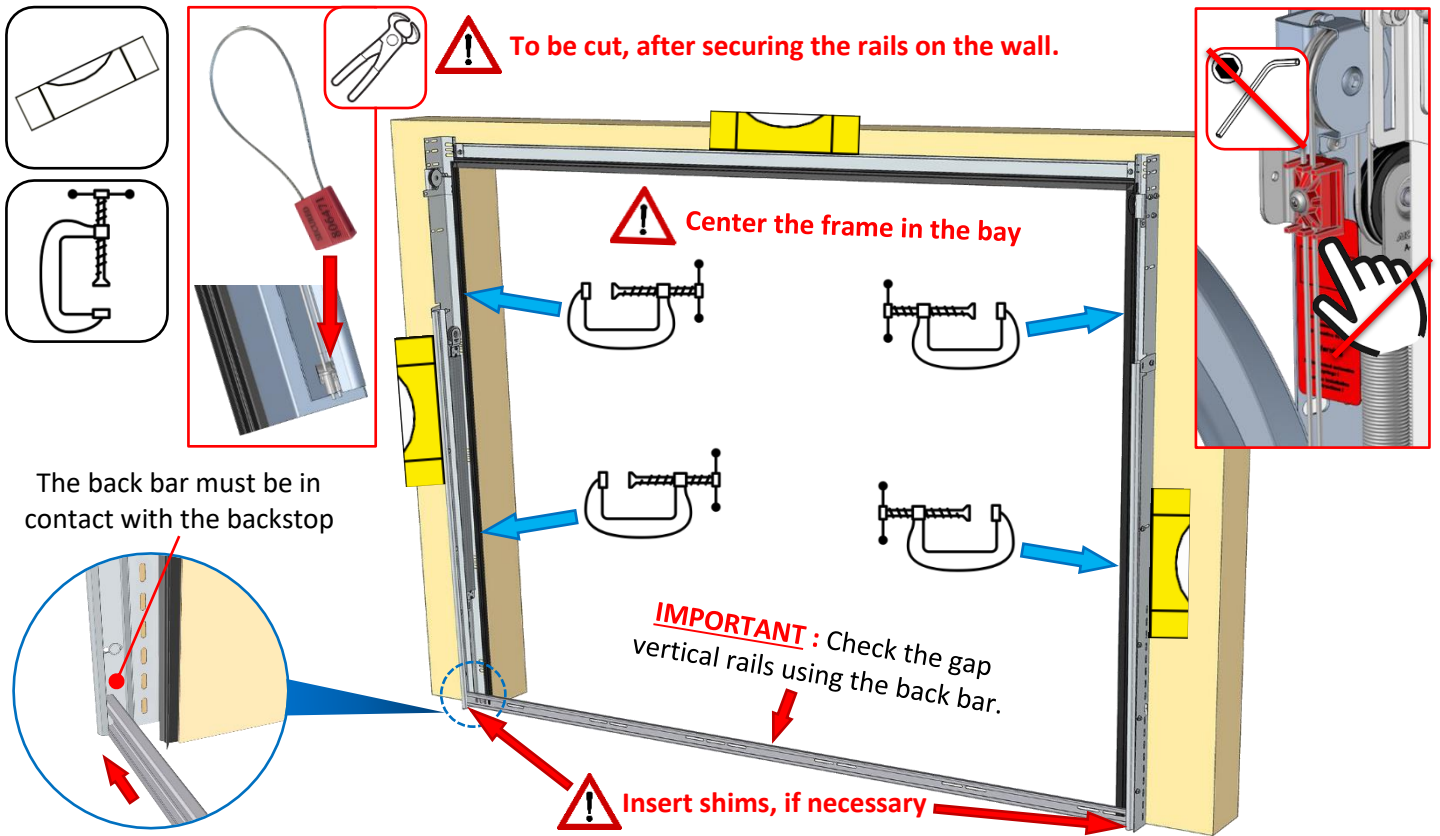
Fixing of the cross-member to the floor



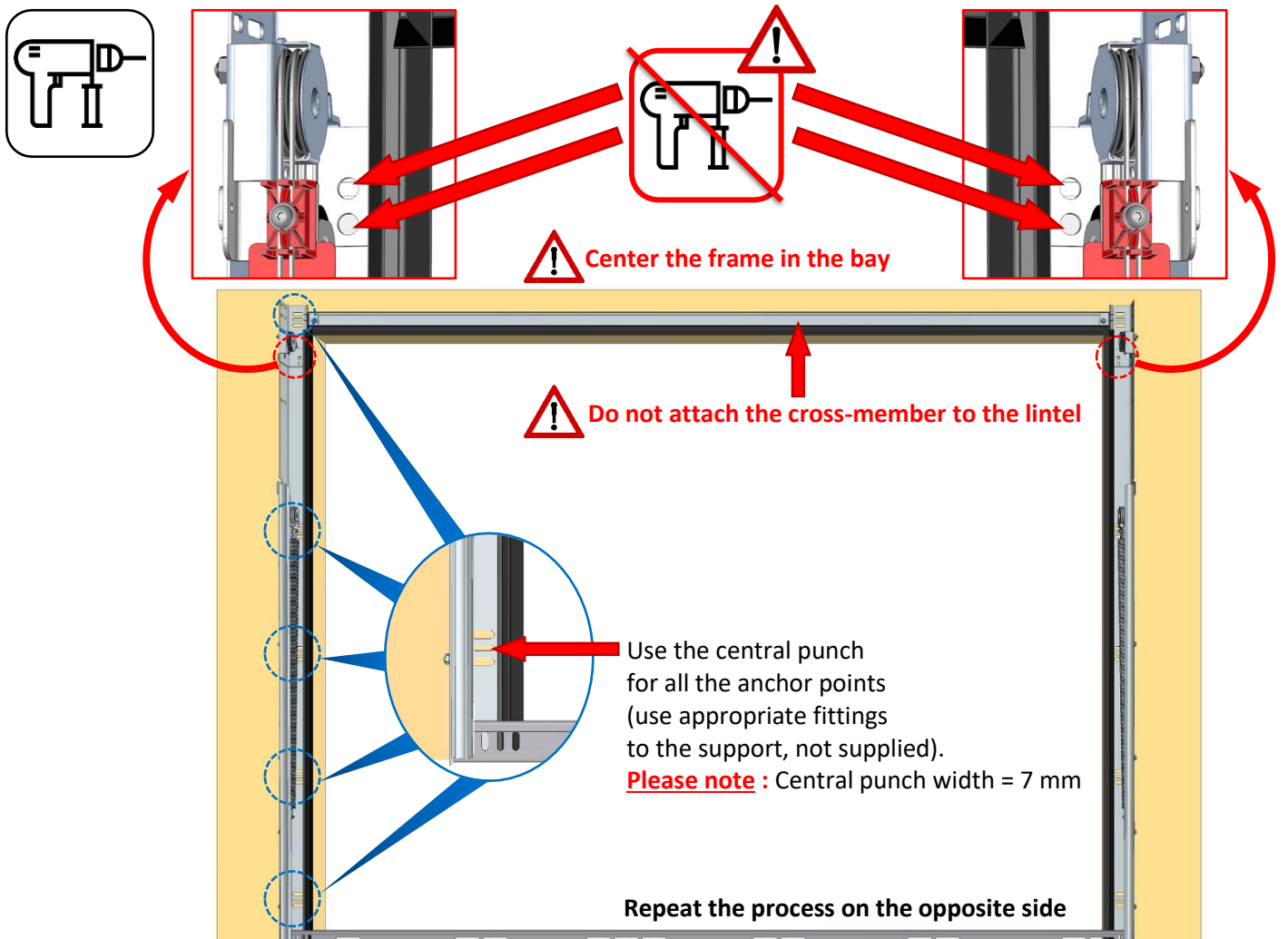
The vertical position of the cross-member will be adjusted once the rails have been mounted on the wall

Repeat the process with the other vertical rail

Layout of the frame

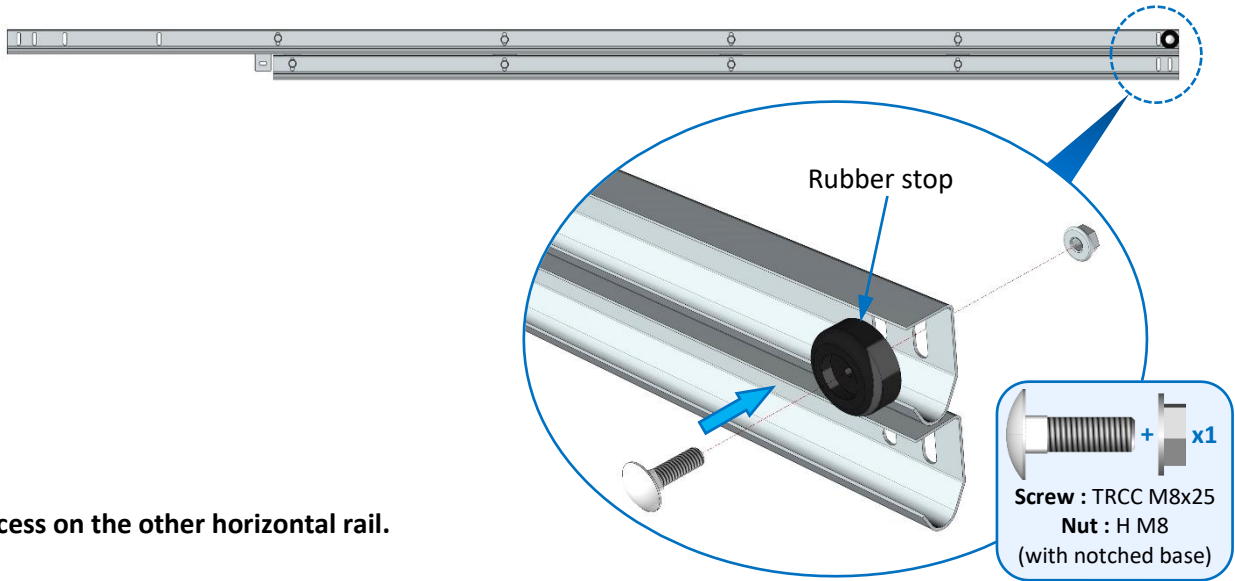


Fixing the vertical rails



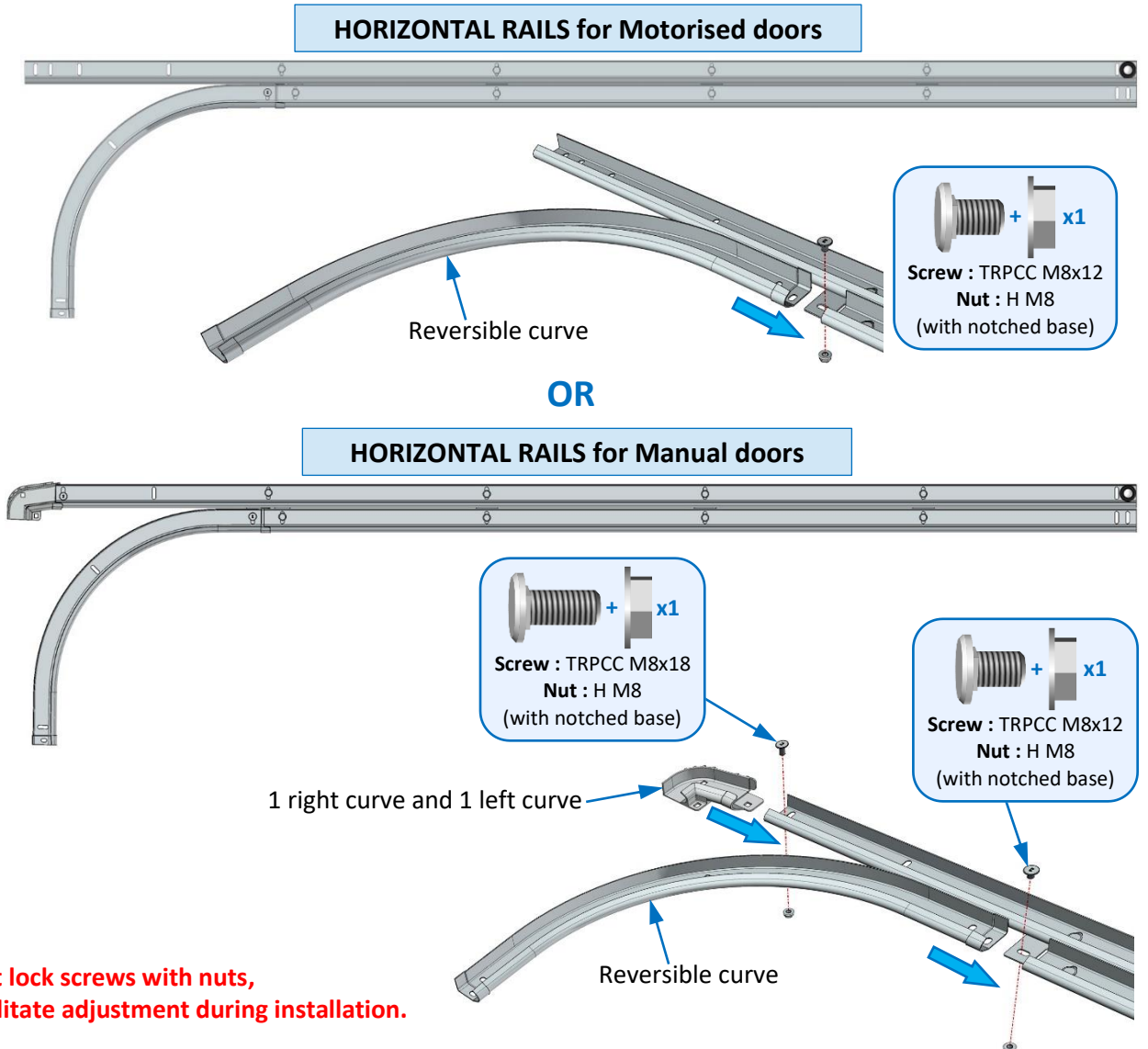
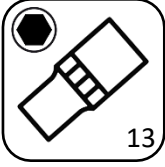
Horizontal rail installation

Mounting of the stops (motorised doors)



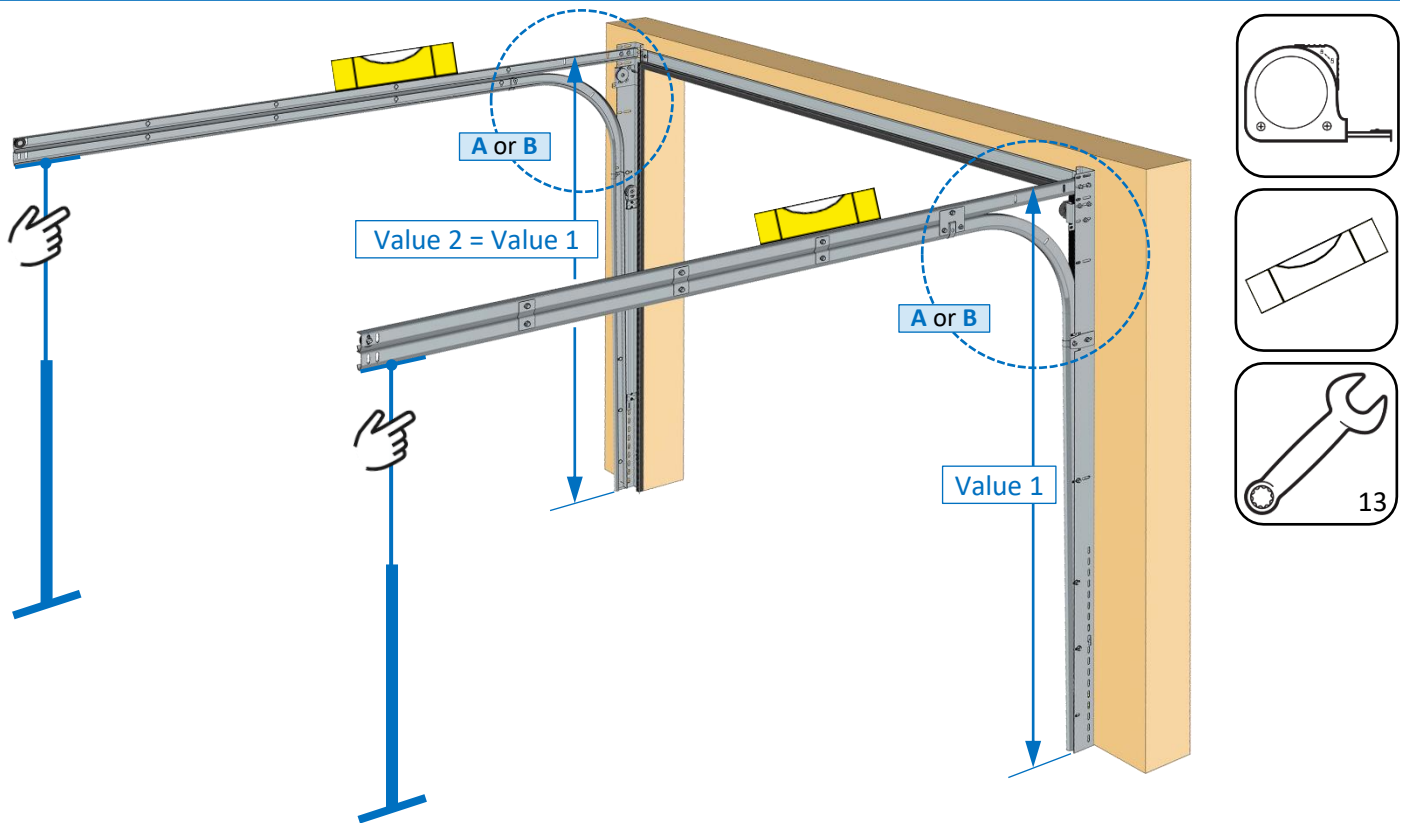
Repeat the process on the other horizontal rail.

Assembling of curves



Do not lock screws with nuts, to facilitate adjustment during installation.

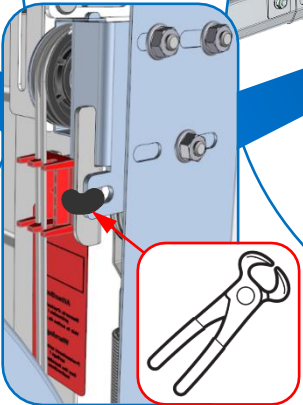
Fixing the horizontal rails



A- MOTORISED door

B- MANUAL door

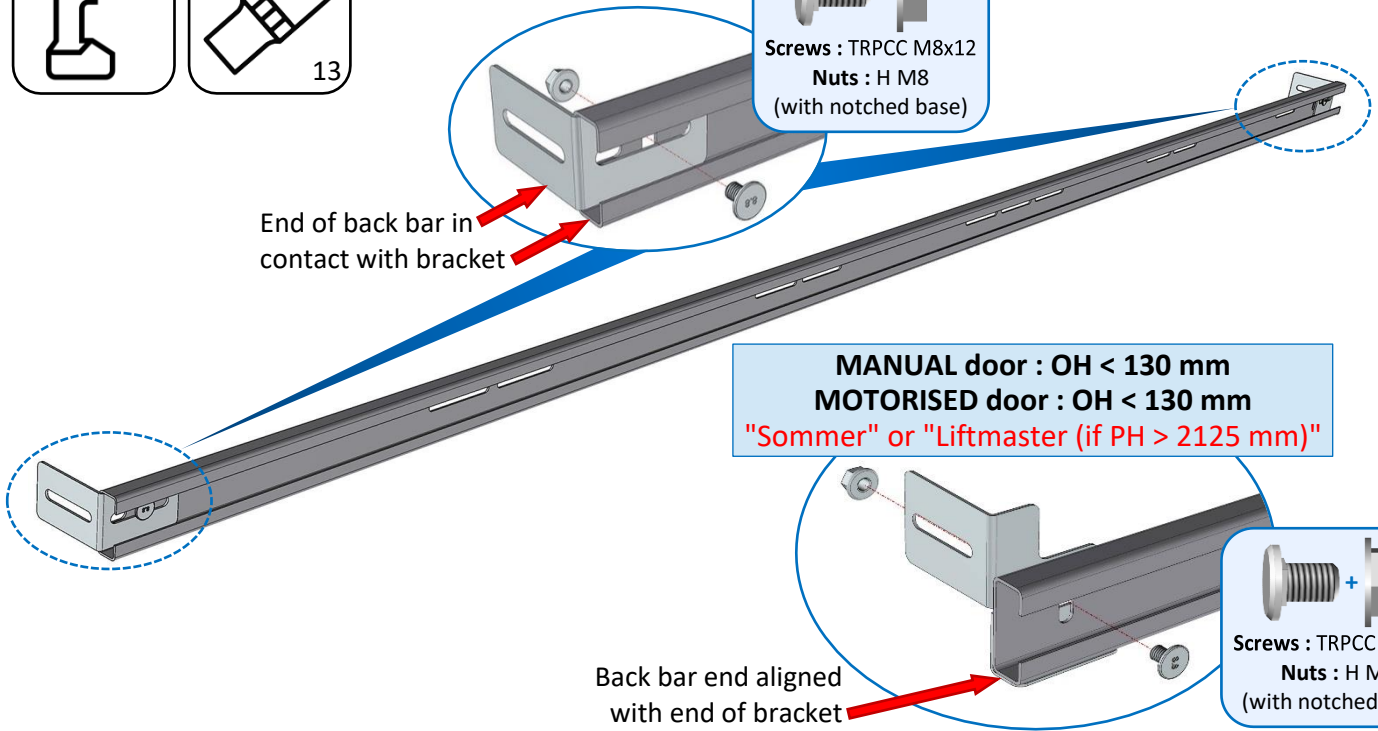
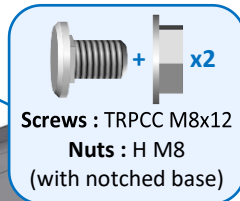
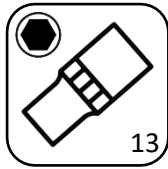
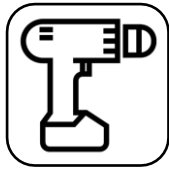
Screws : TRPCC M8x18
Nuts : H M8
 (with notched base) x2



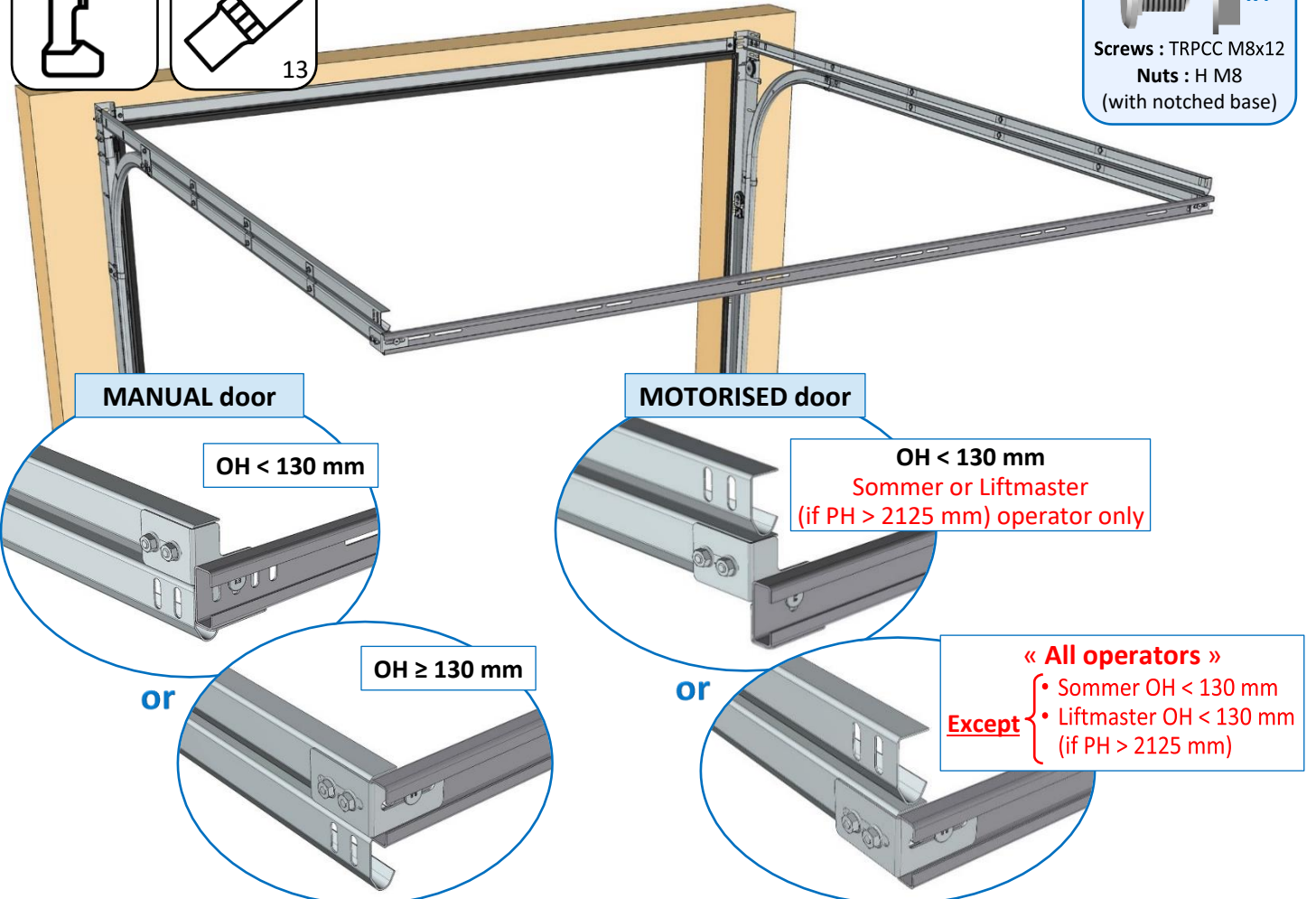
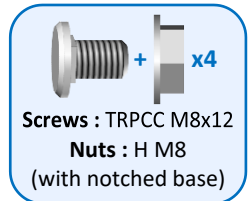
Cut the clamp
left & right side

Screw : TRPCC M8x12
Nut : H M8
 (with notched base) x1

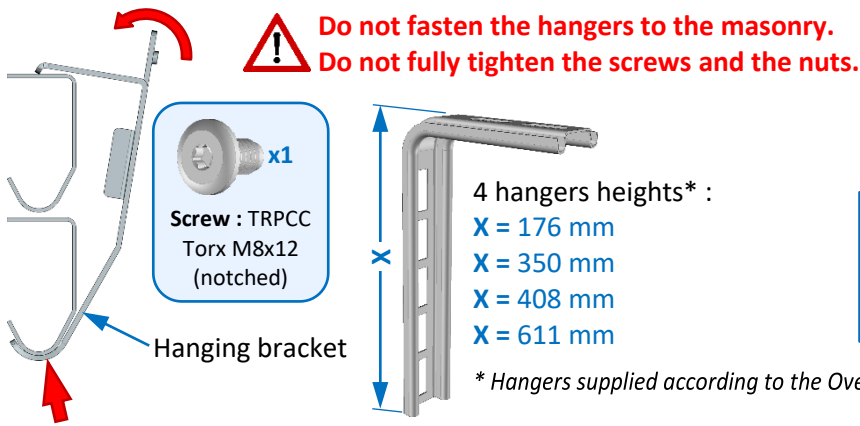
Assembling the back bar brackets



Installing the back bar



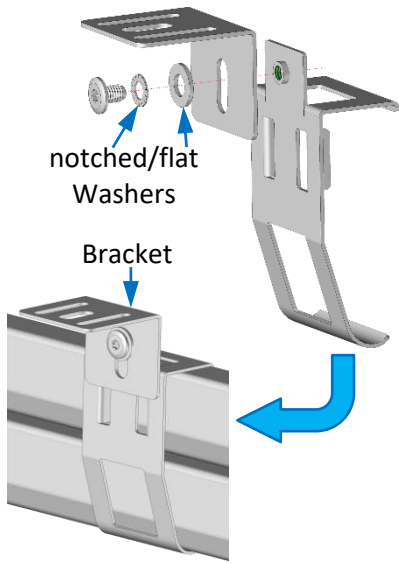
Installing the hangers



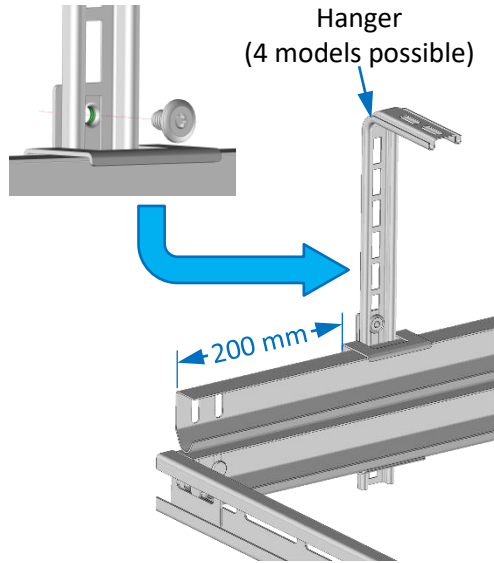
Adapt the number of hangers to the dimensions of the doors :

- 2 hangers, if PW ≤ 3000 or PH ≤ 2150 mm
- 4 hangers, if PW > 3000 or PH > 2150 mm

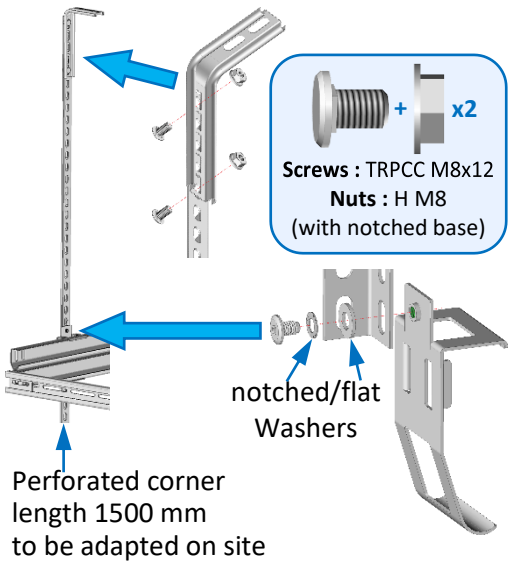
Assembly : OH ≤ 115 mm



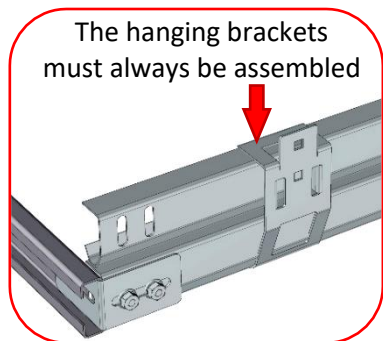
Assembly : 115 mm < OH ≤ 670 mm



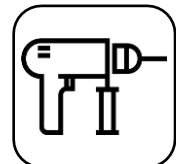
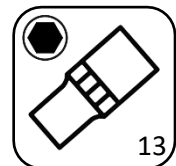
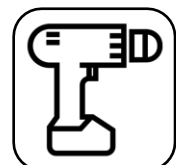
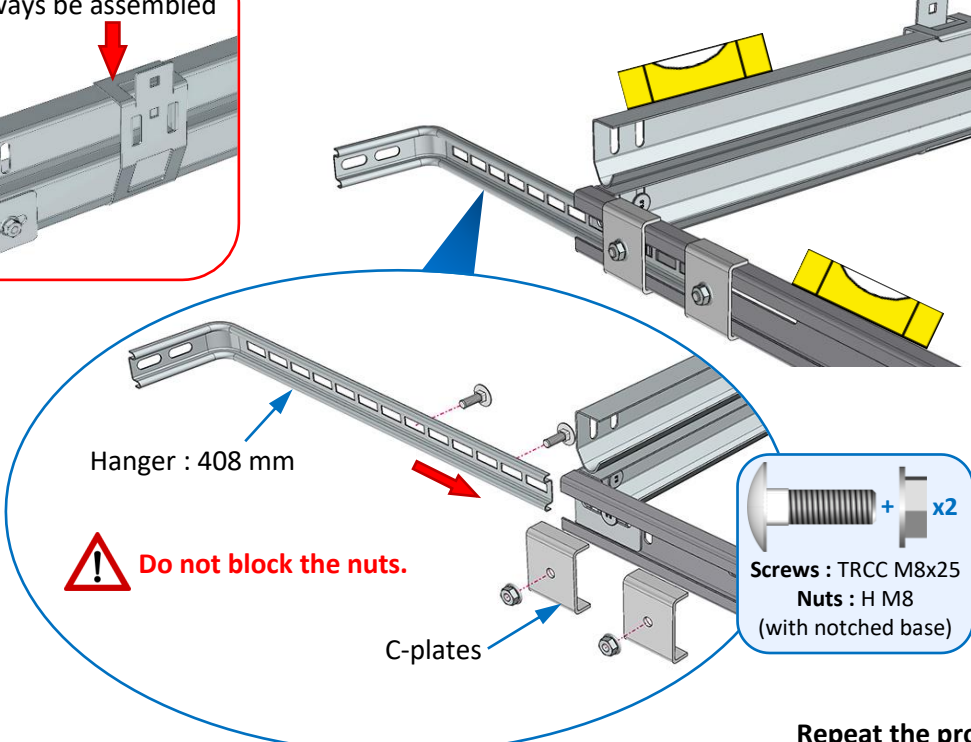
Assembly : 670 mm < OH ≤ 1600 mm



Back bar extension (option)

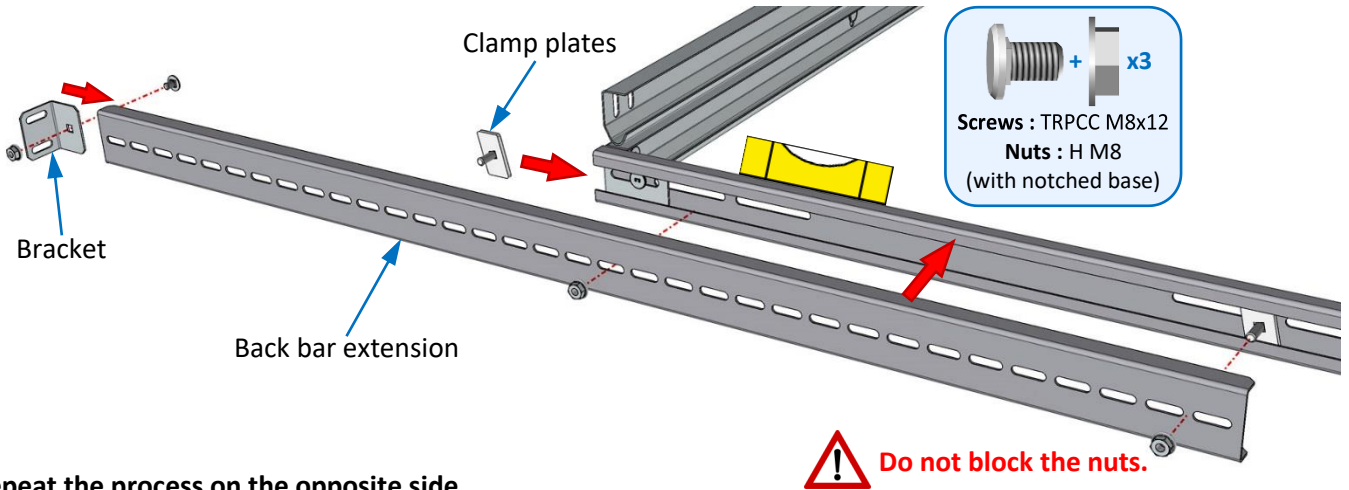


Reservation ≤ 300 mm



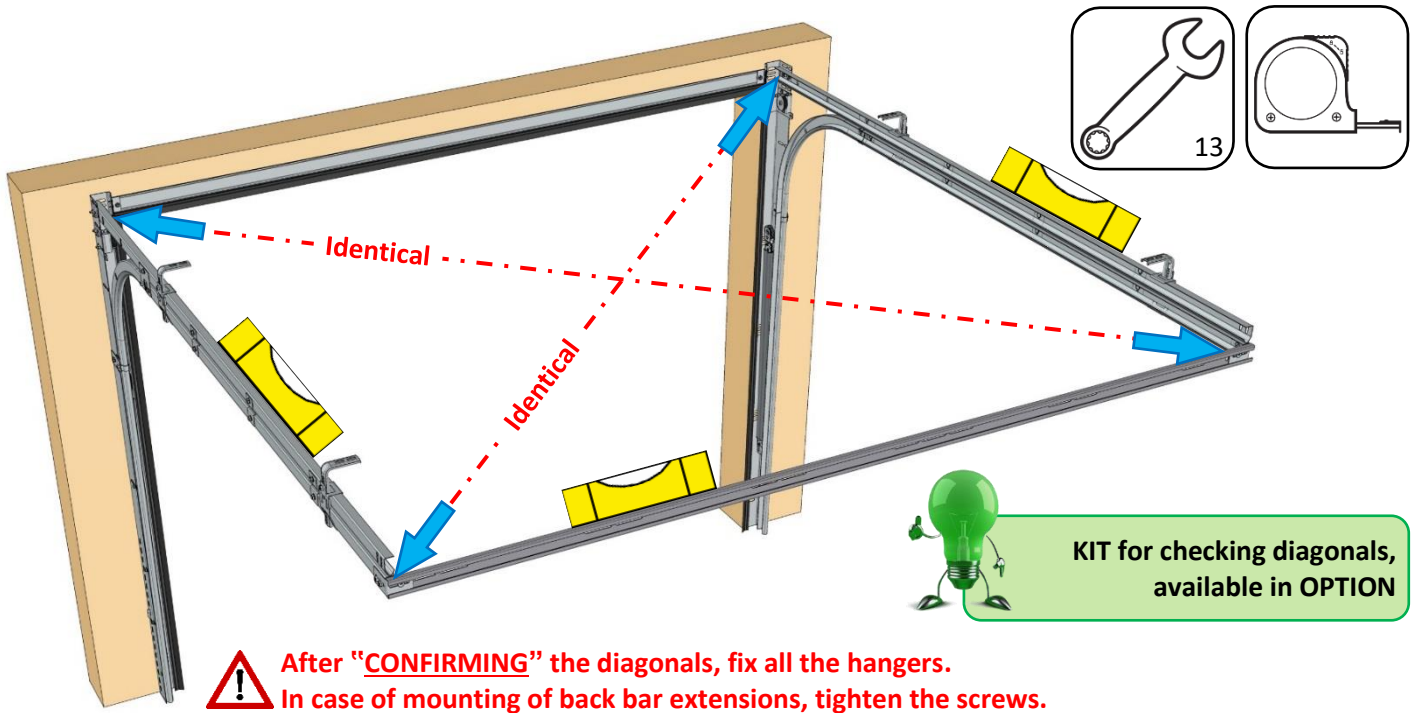
Repeat the process on the opposite side

300 mm < Reservation ≤ 1000 mm



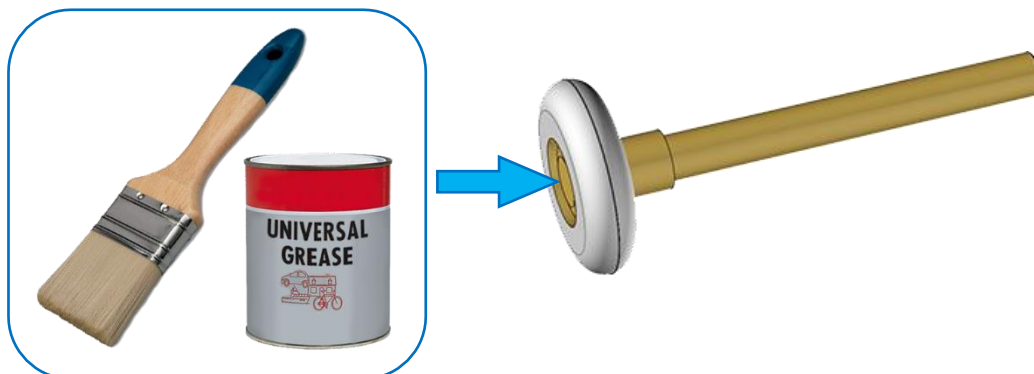
Repeat the process on the opposite side.

Checking the diagonals



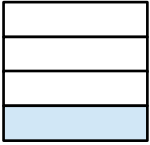
Mounting of the panels

Grease all roller shafts



Panels preparation

BOTTOM PANEL



! OPTION tandem



x8
Screws : Self-drilling
TB Torx 6,3x25

OR

x2
Screws : Self-drilling
TB Torx 6,3x25

**! No central hinge
if door PW ≤ 2600 mm**

x2
Screws : Self-drilling
TB Torx 6,3x25

x8
Screws : Self-drilling
TB Torx 6,3x25

! OPTION tandem

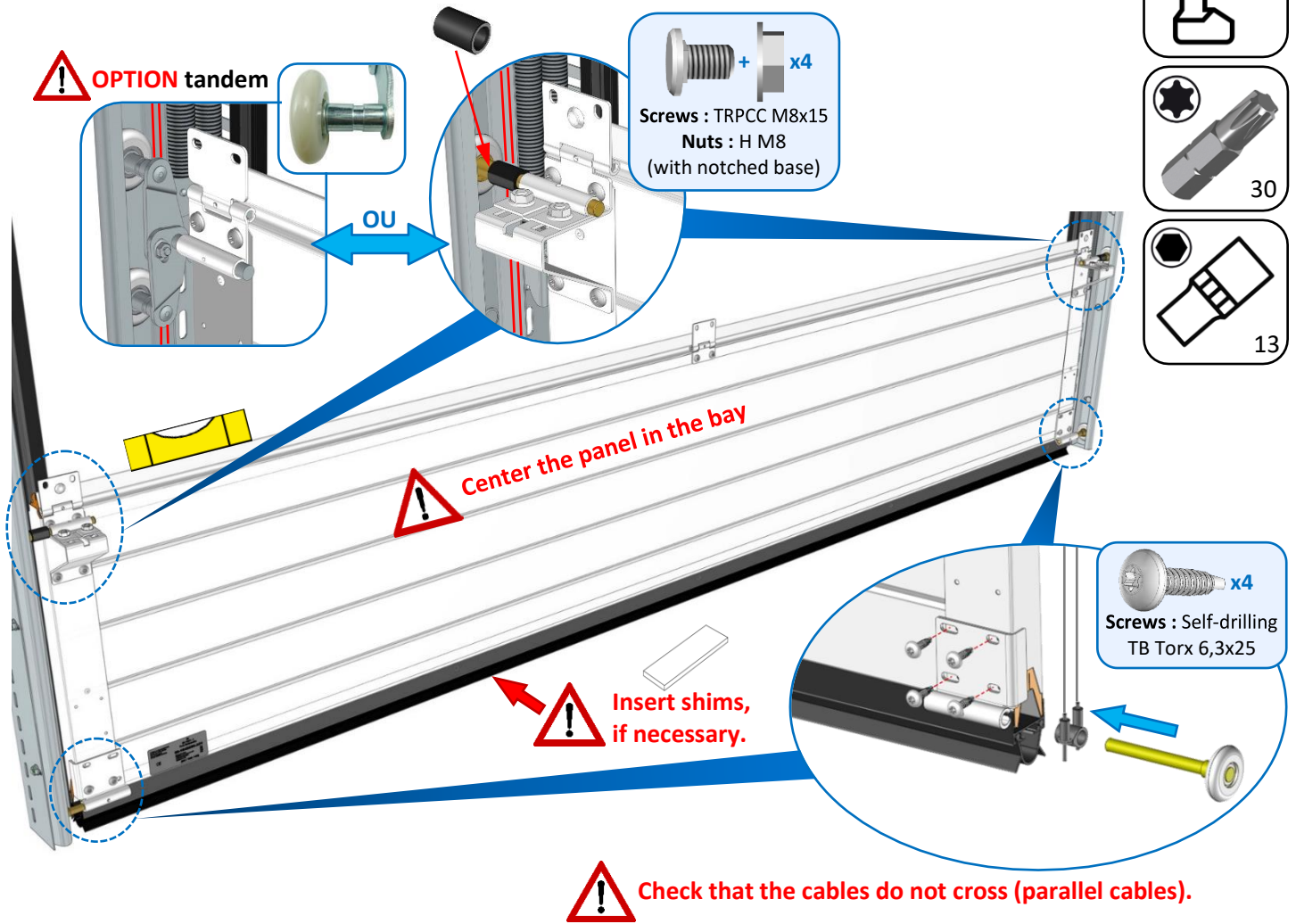
**Cut the protruding seal,
if necessary.**

INTERMEDIATE PANEL(S)

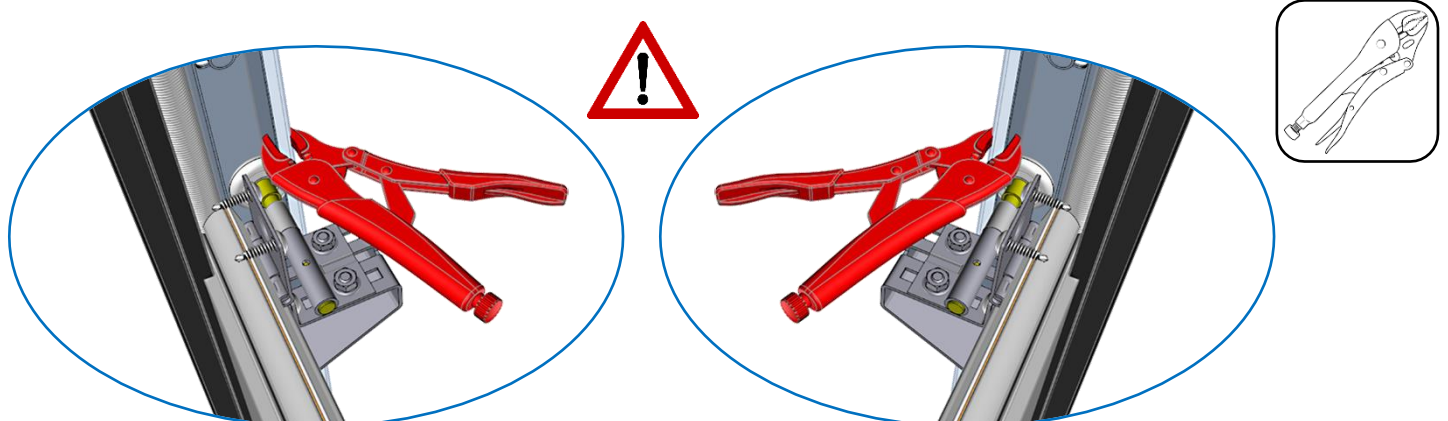


Installing the bottom panel

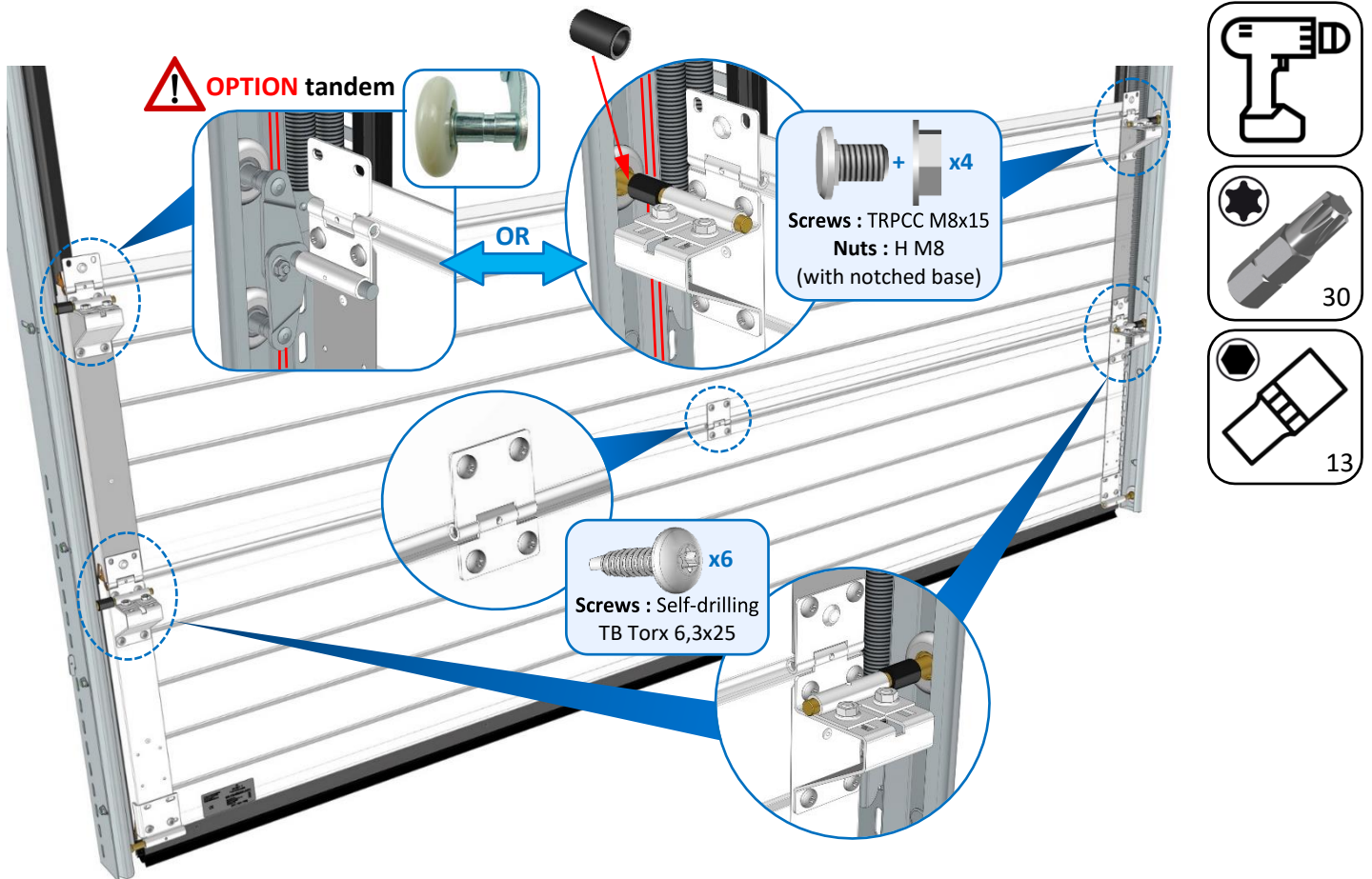
! When mounting each panel :
Do not jam cables between panels and rails.



Secure mounting of the panels on both sides

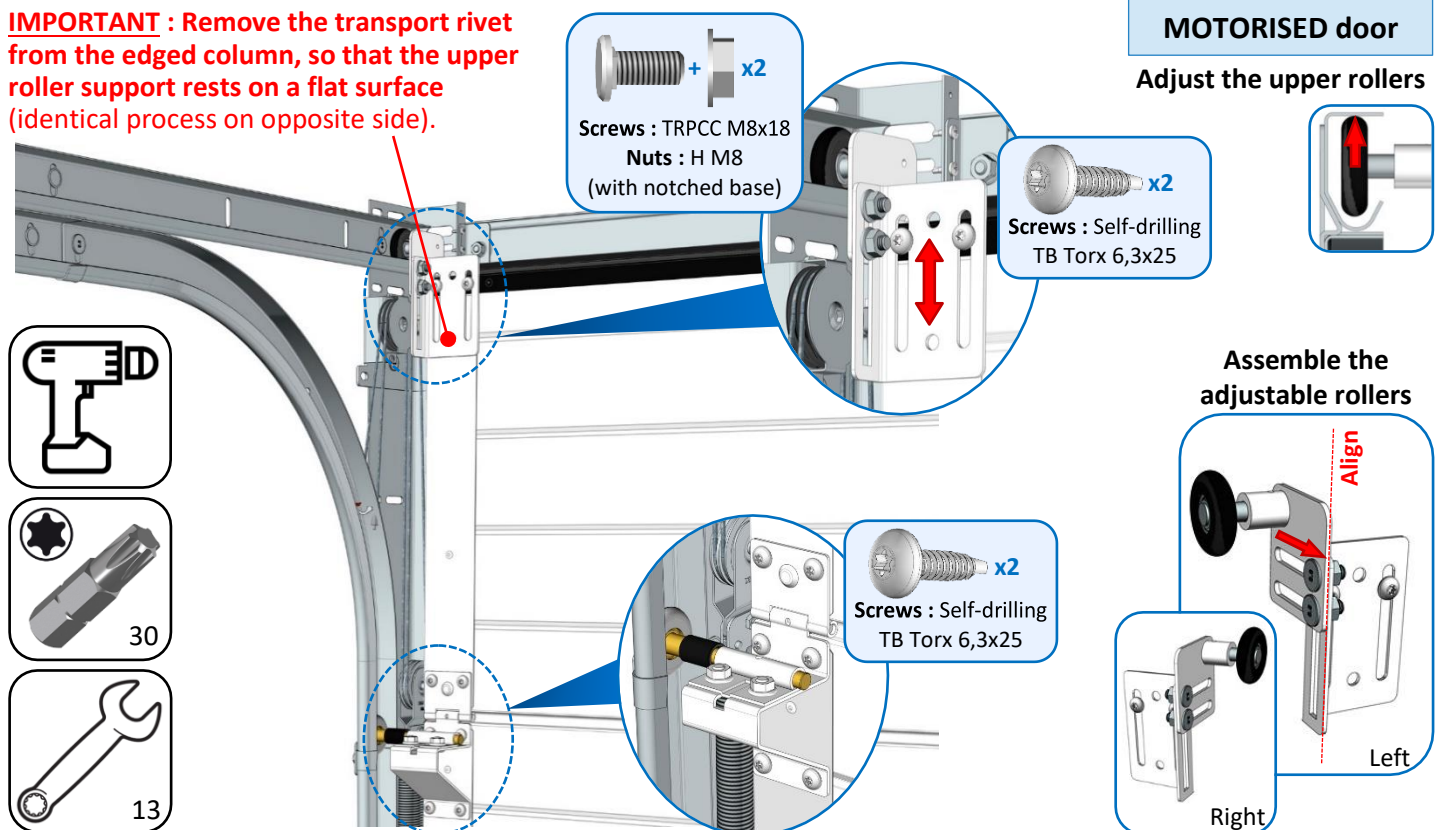


Installing the intermediate panel(s)

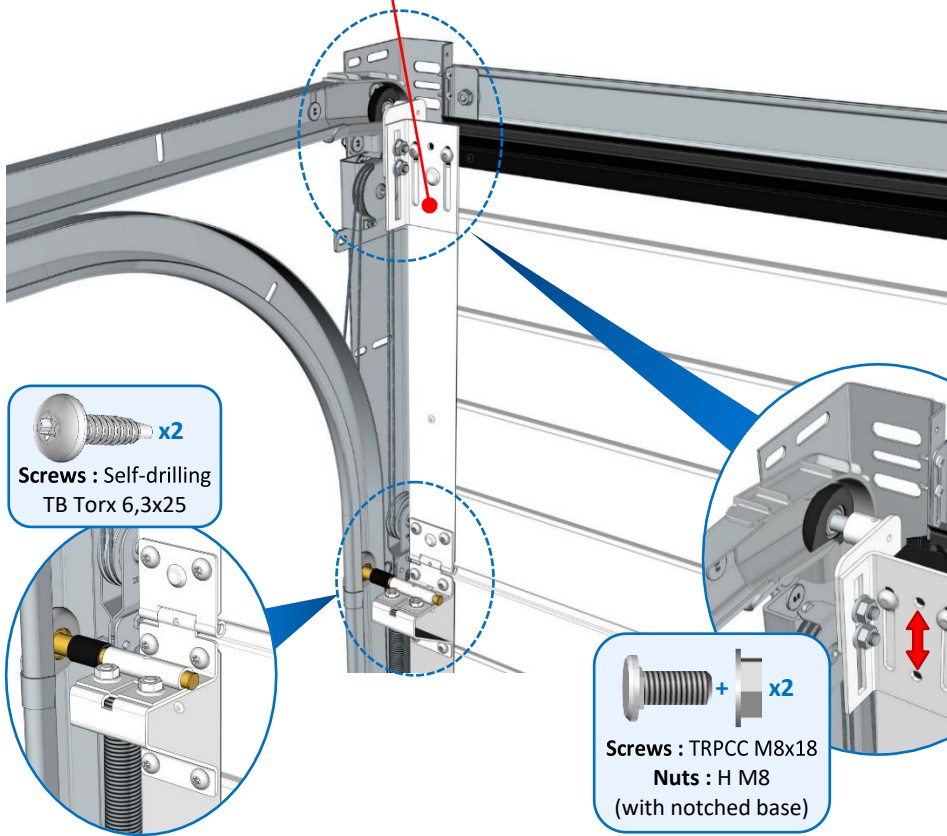


Installing the top panel

IMPORTANT : Remove the transport rivet from the edged column, so that the upper roller support rests on a flat surface (identical process on opposite side).

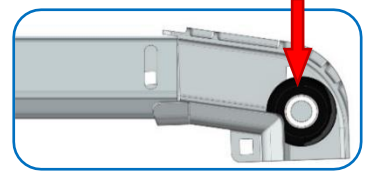


IMPORTANT : Remove the transport rivet from the edged column, so that the upper roller support rests on a flat surface (identical process on opposite side).



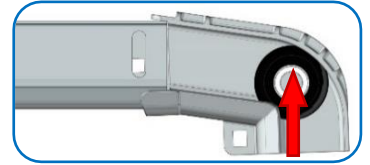
MANUAL door

Adjust the upper rollers



MANUAL version

or



MOTORIZED version

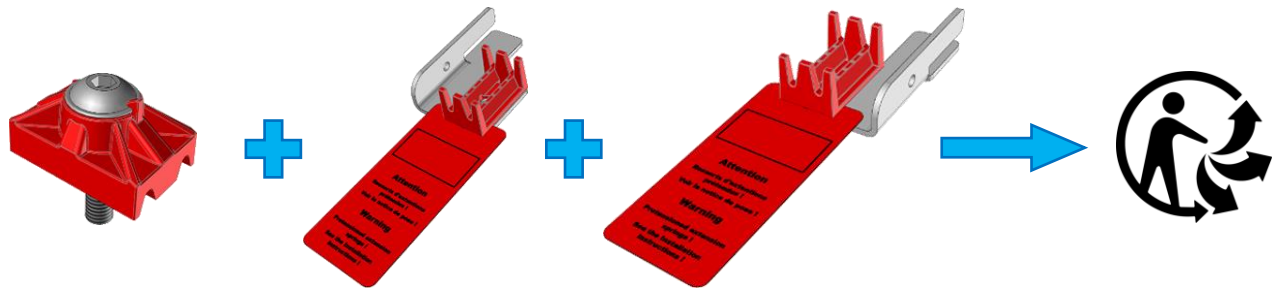
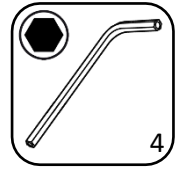
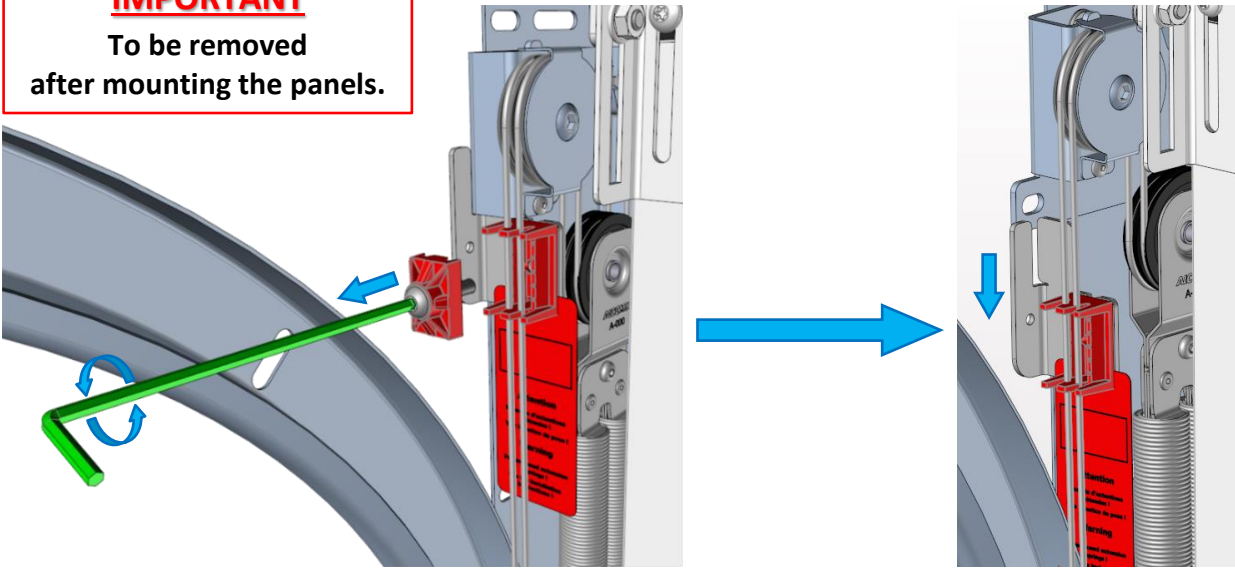
x2
Screws : Self-drilling
TB Torx 6,3x25

x2
Screws : TRPCC M8x18
Nuts : H M8
(with notched base)

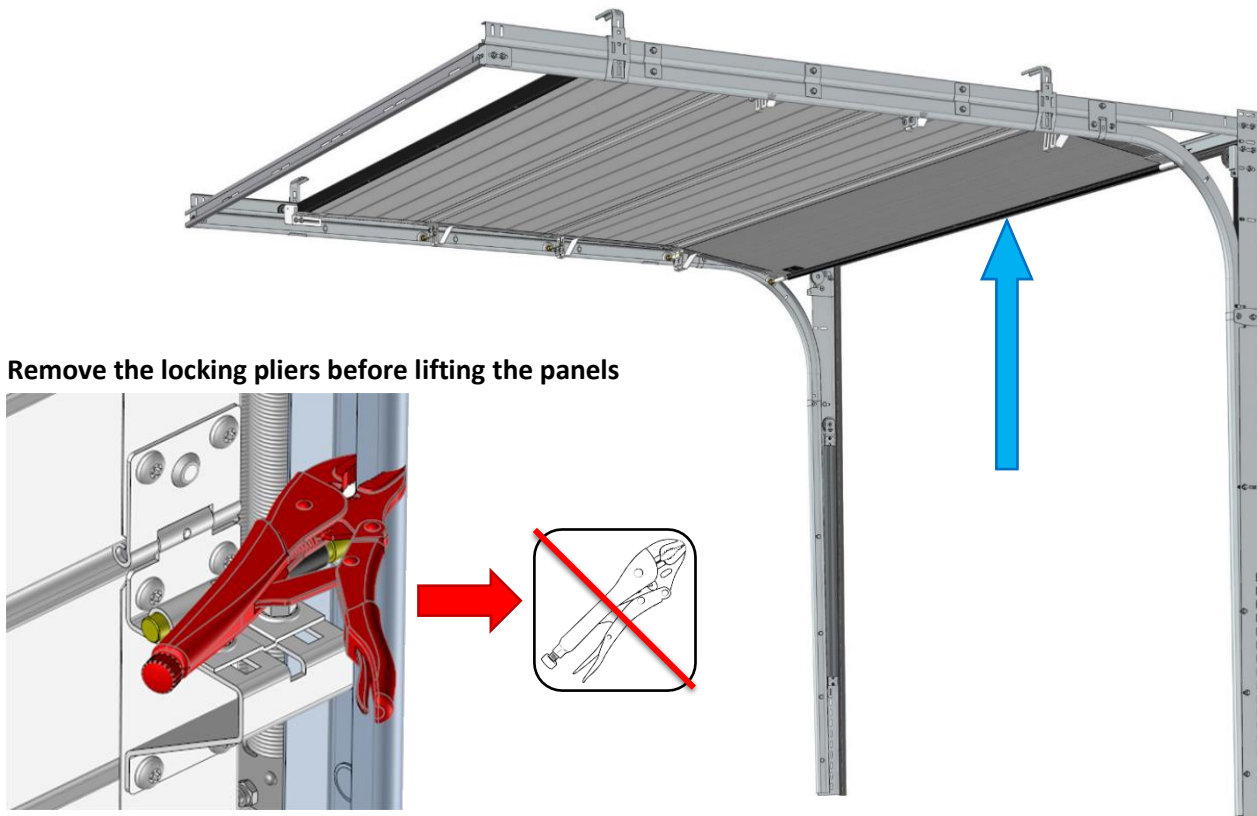
x2
Screws : Self-drilling
TB Torx 6,3x25

Removal of top safety parts

IMPORTANT
To be removed
after mounting the panels.



Opening of the door



Checking the balance



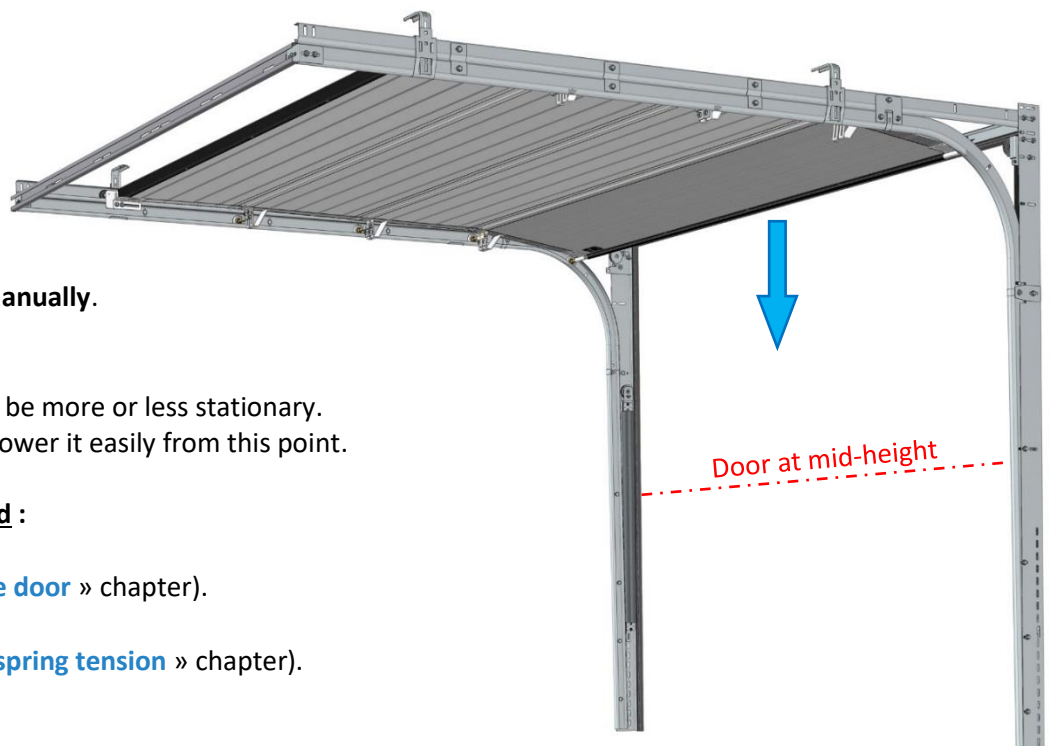
Gently close the panels and **operate it several times manually**.

The door is well-balanced :

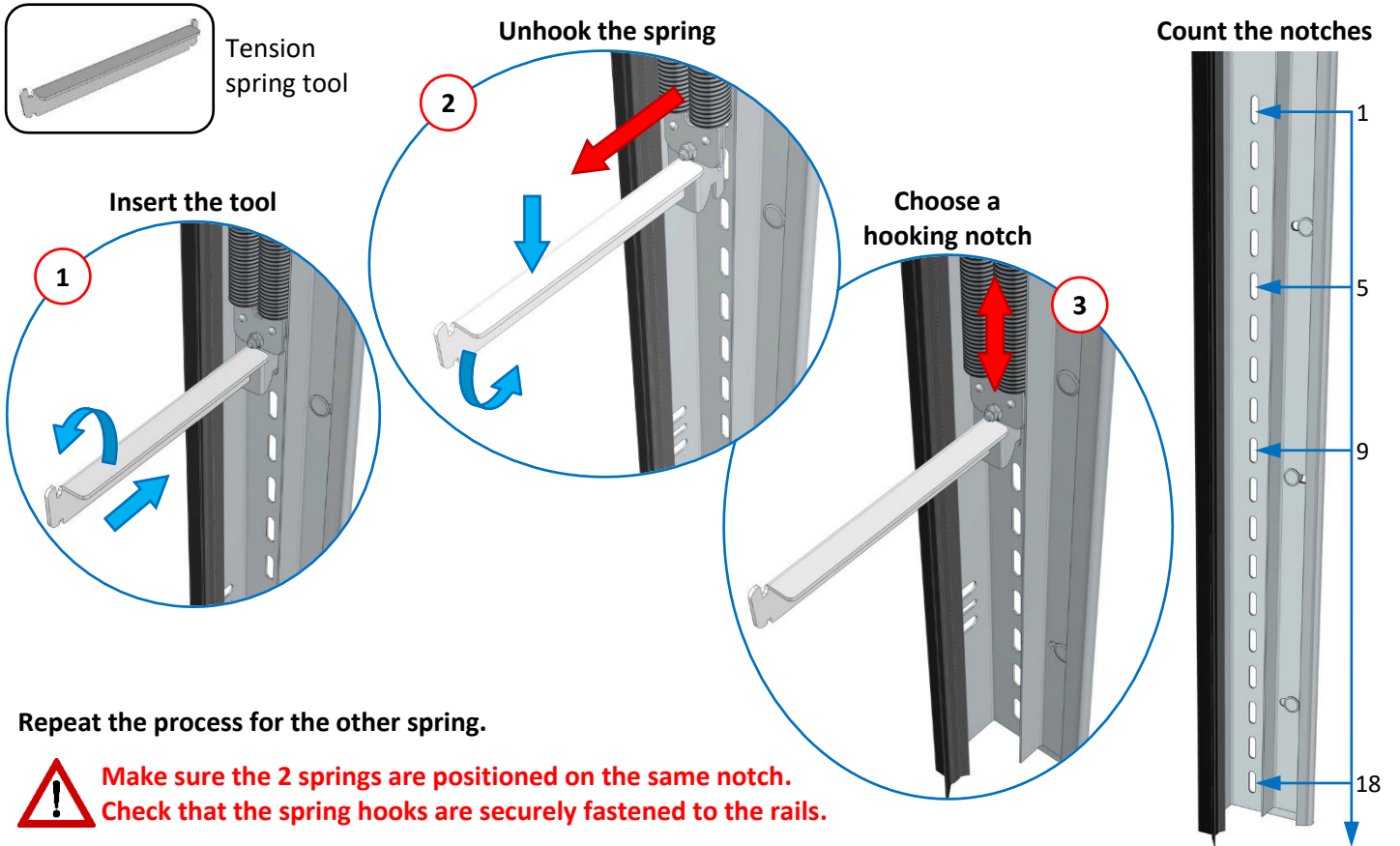
- At mid-height, the door must be more or less stationary.
You must be able to raise or lower it easily from this point.

If the door is not well-balanced :

- Raise and secure the panels (refer to the « [Opening of the door](#) » chapter).
- Tighten or loosen the springs (refer to the « [Adjusting the spring tension](#) » chapter).



Adjusting the spring tension

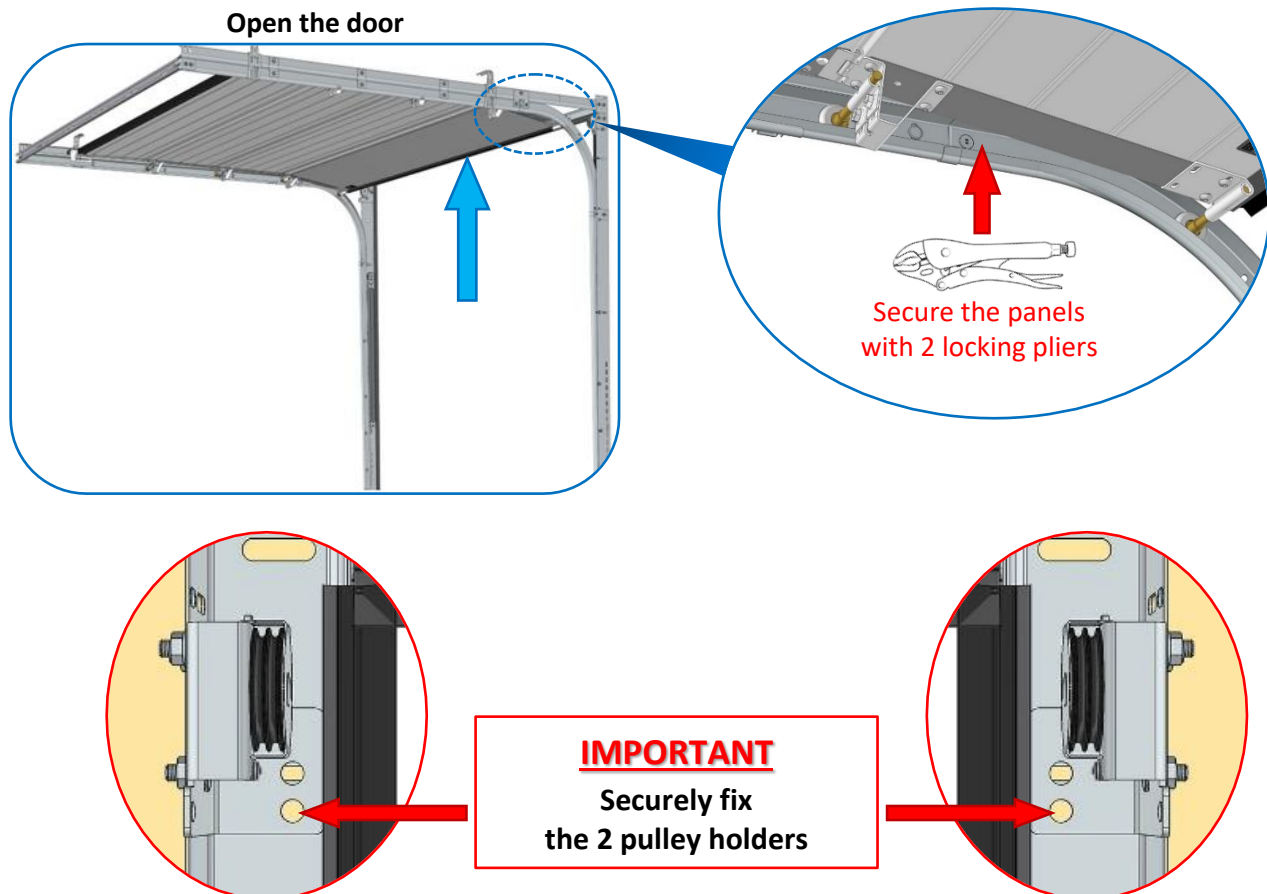


Repeat the process for the other spring.

**⚠ Make sure the 2 springs are positioned on the same notch.
Check that the spring hooks are securely fastened to the rails.**

Check the balance again : Refer to the « [Checking the balance](#) » chapter previous.

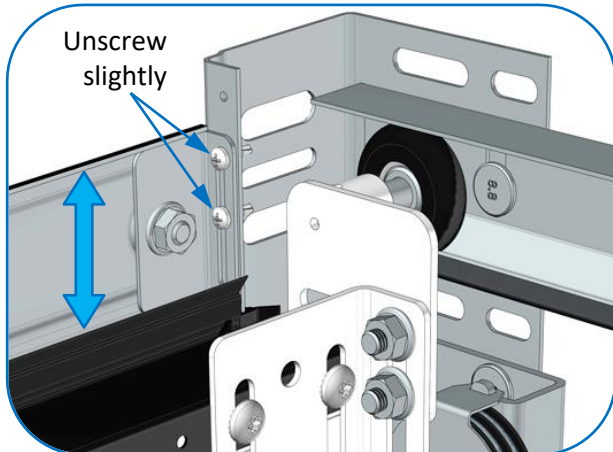
Fixing vertical rails at the level right & left pulleys



Finishes

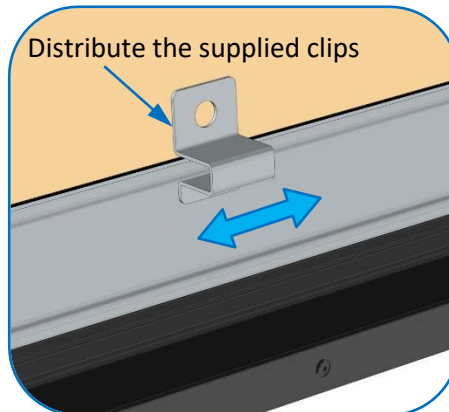
Adjusting and fixing of the cross-member

Adjusting of the cross-member

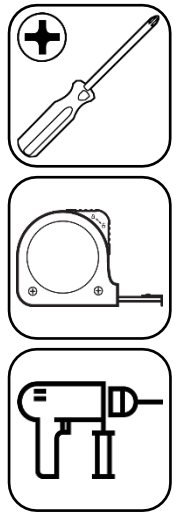


Repeat the process on the opposite side

Fixing of the cross-member (Install after the operator)

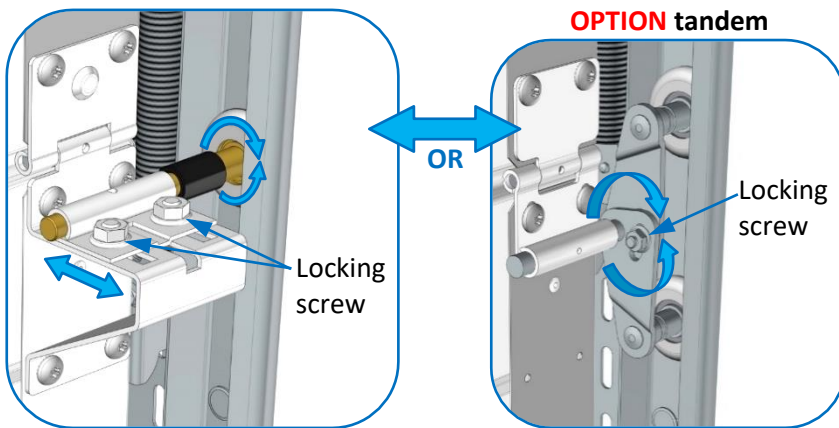


Use appropriate fittings for the support (screws and pins not supplied)

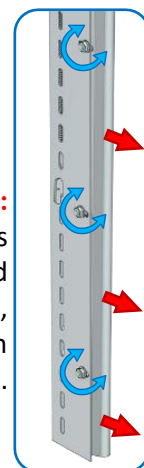


Adjusting the rollers

OPTION tandem



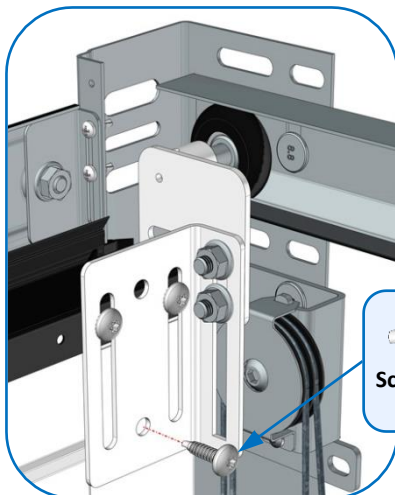
Please note :
if the panels jams at the end of closing, move the bottom of the rails.



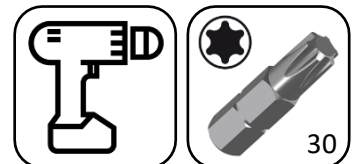
⚠ The roller rod must be able to turn freely. Do not crush the panels on vertical joints.

Repeat the process for all rollers.

Fixing the upper roller supports



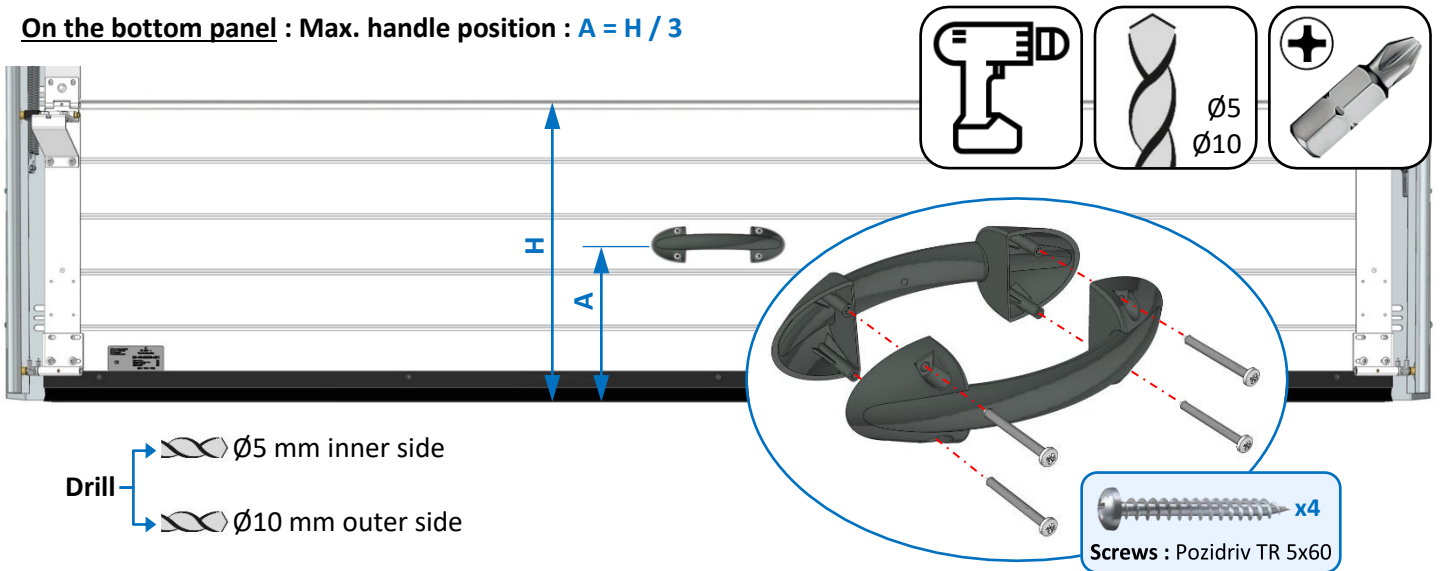
Add



Repeat the process on the opposite side

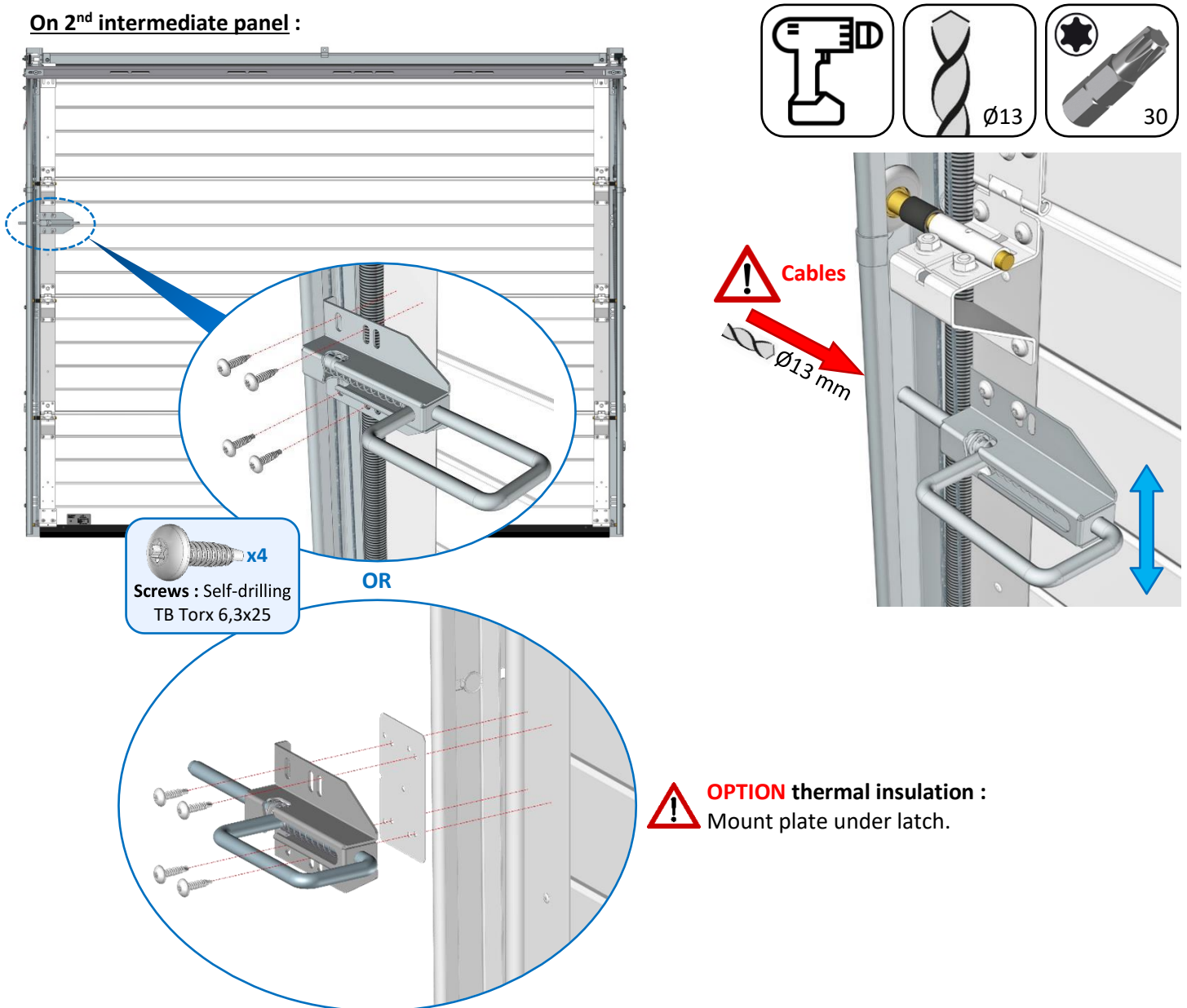
Mounting the handle

On the bottom panel : Max. handle position : $A = H / 3$



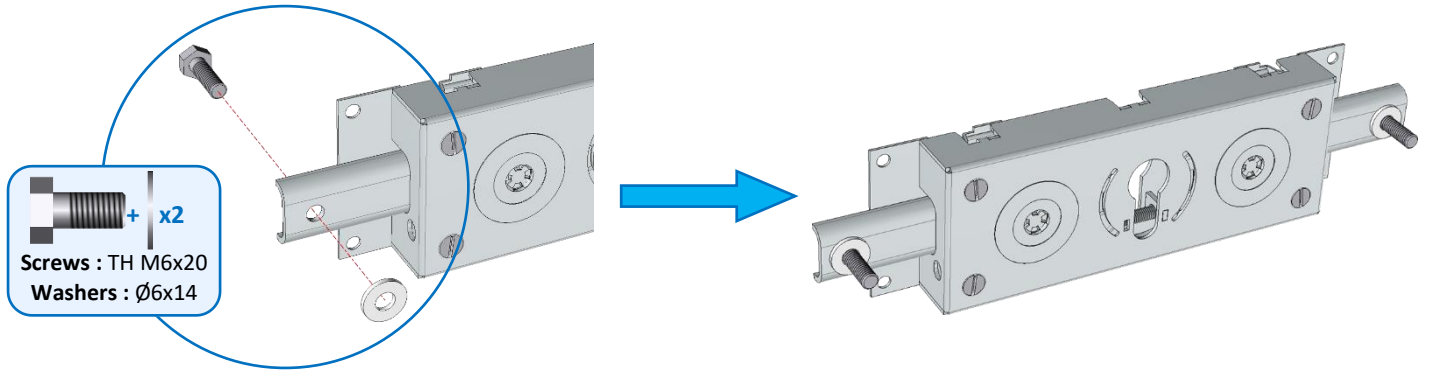
Mounting the latch (optional on motorised doors)

On 2nd intermediate panel :

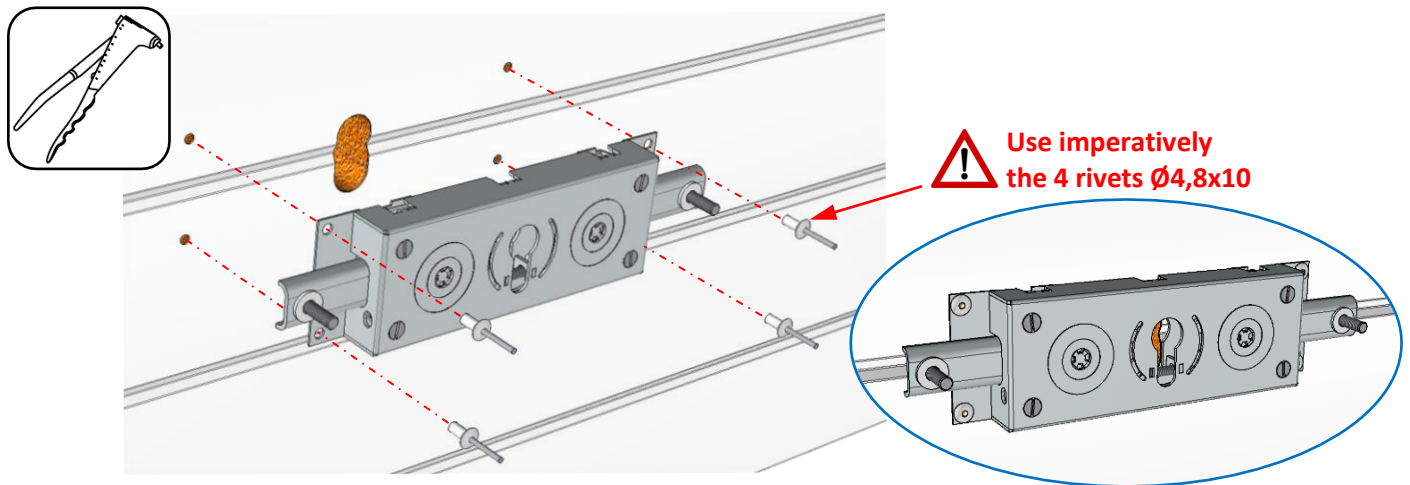


Mounting of the lock (optional on motorised and manual doors)

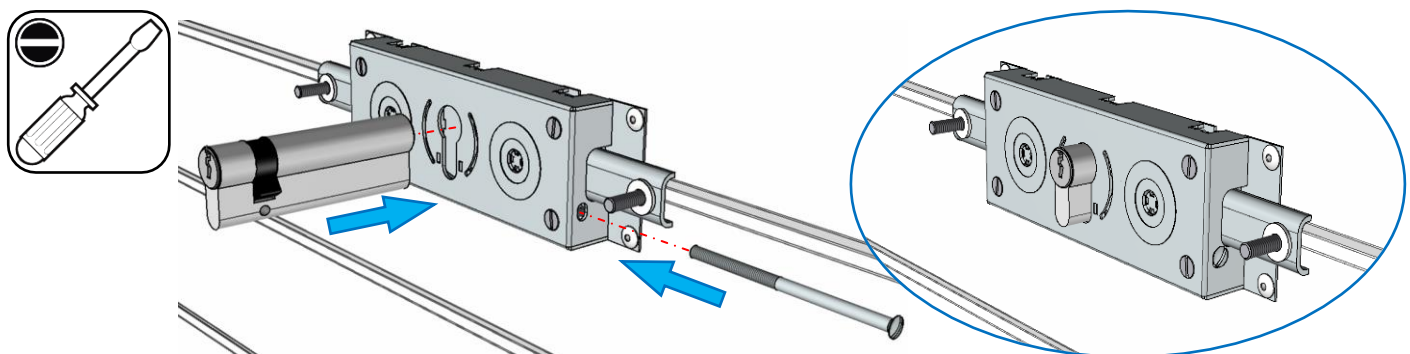
Prepare the lock :



Fixing the lock :

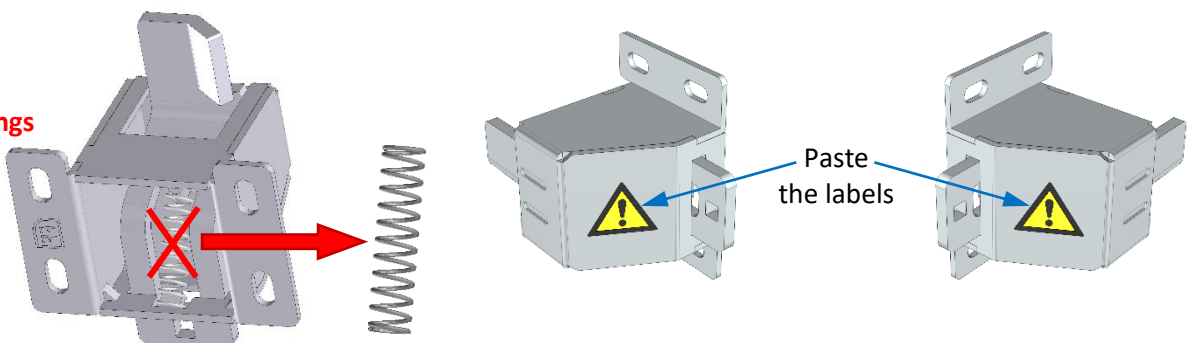


Assembling the cylinder :

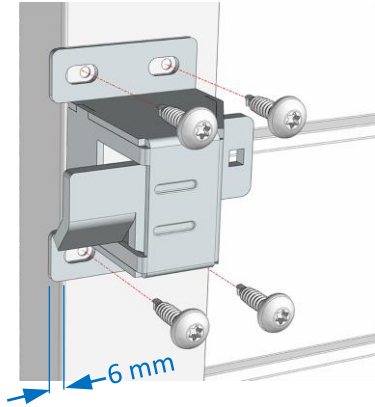
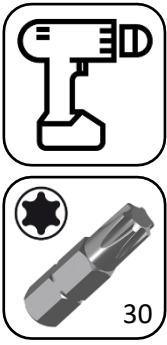


Preparing the latches (left and right) :

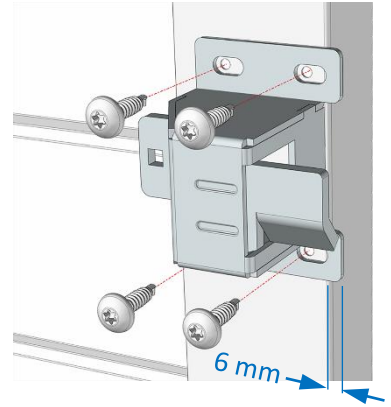
IMPORTANT
Remove the springs from the left and right bolts



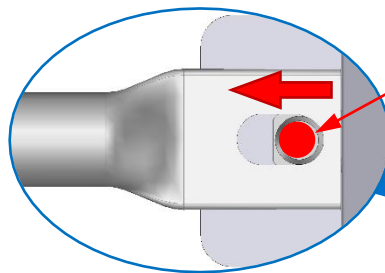
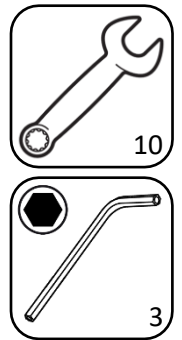
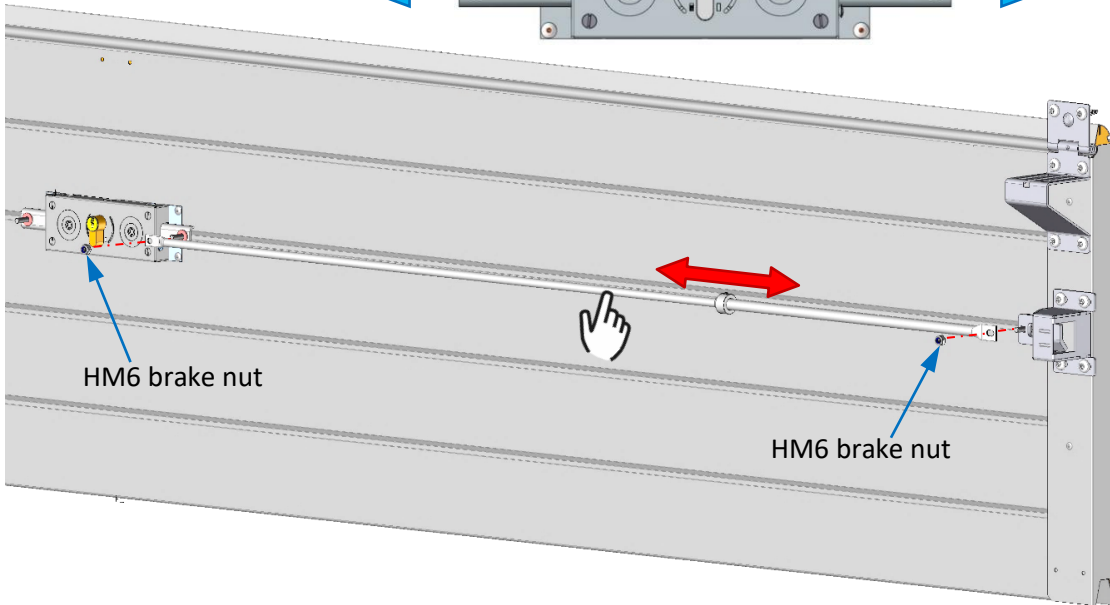
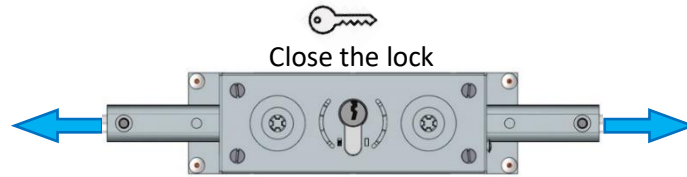
Assembling the latches (left and right) :



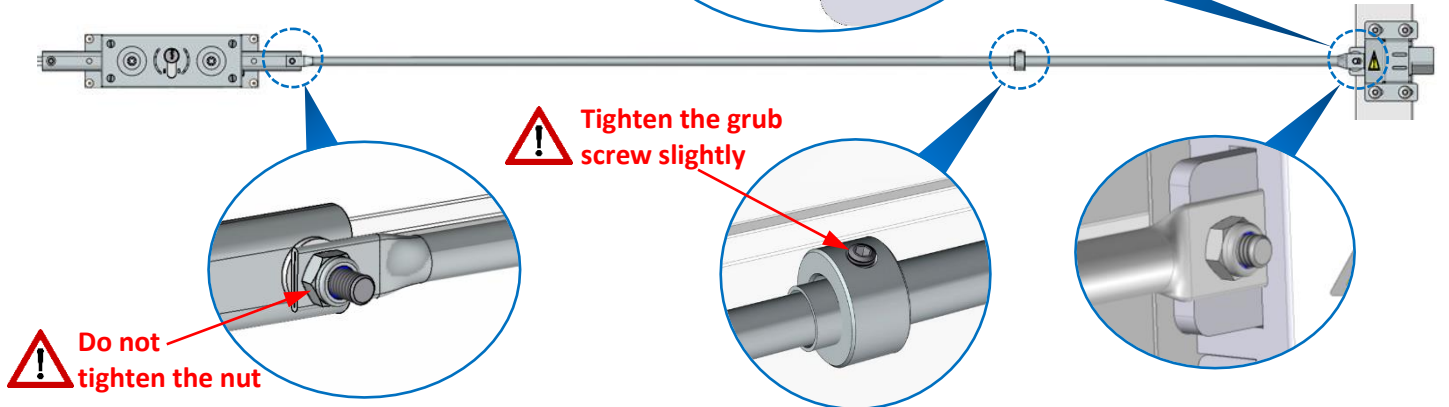
x8
Screws : Self-drilling
TB Torx 6,3x25



Assembling the rods :

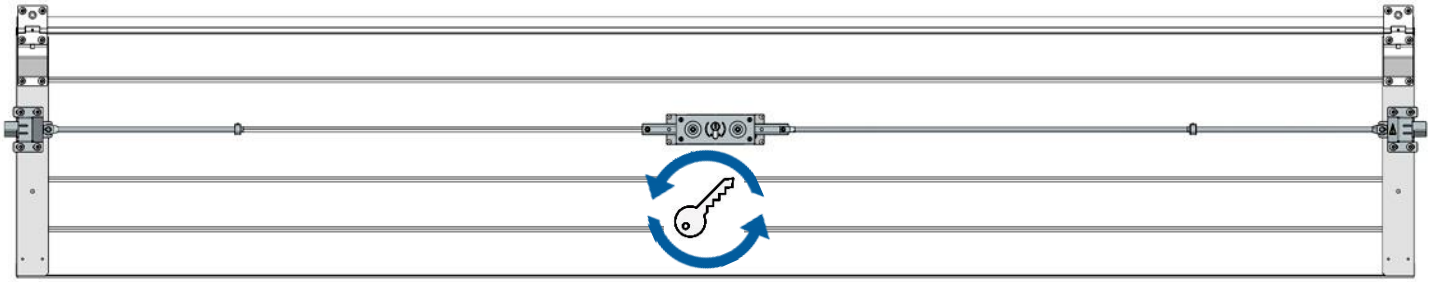


Adjust the rod at the oblong start position



Repeat the procedure for the second rod.

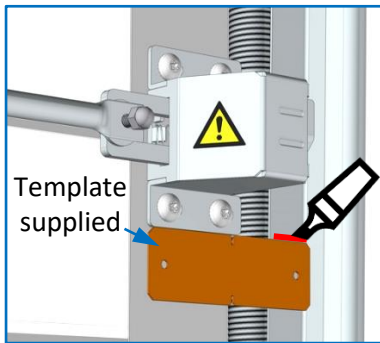
Checking the lock :



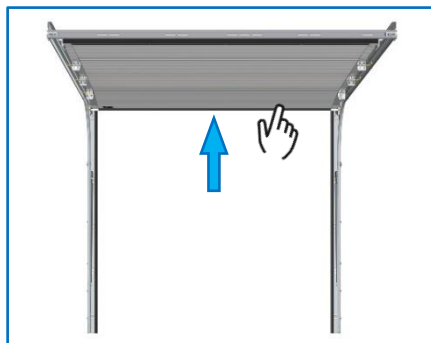
If necessary, return to the « **Assembling the rods** » chapter.

Positioning the strike plates :

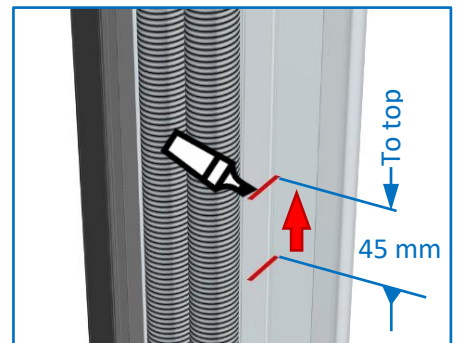
1- Mark out (on the 2 latches)



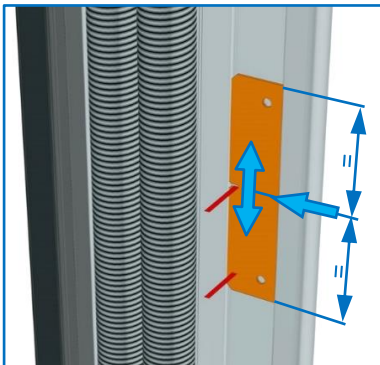
2- Open the door



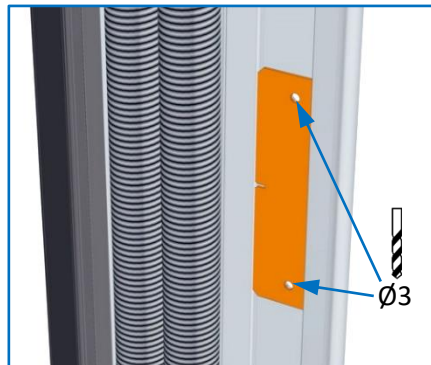
3- Offset the marking



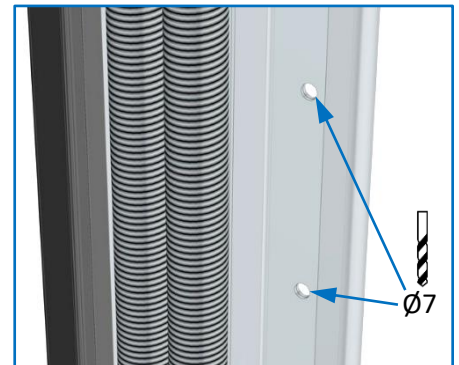
4- Position the template



5- Mark out the drill holes



6- Drill the holes



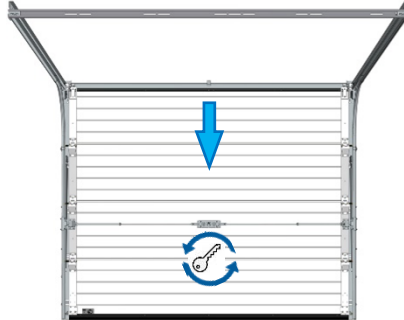
Fixing the strike plates :



Screws : TRPCC M6x16
Nuts : H M6
(with notched base)

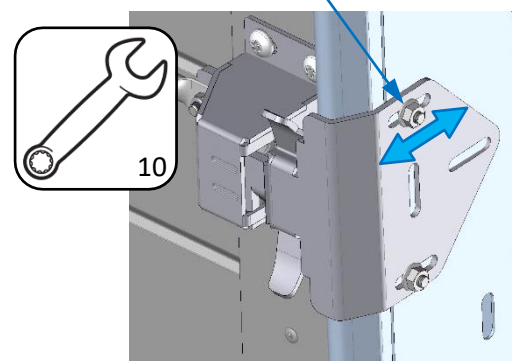
Do not fully tighten the nuts

Close the door



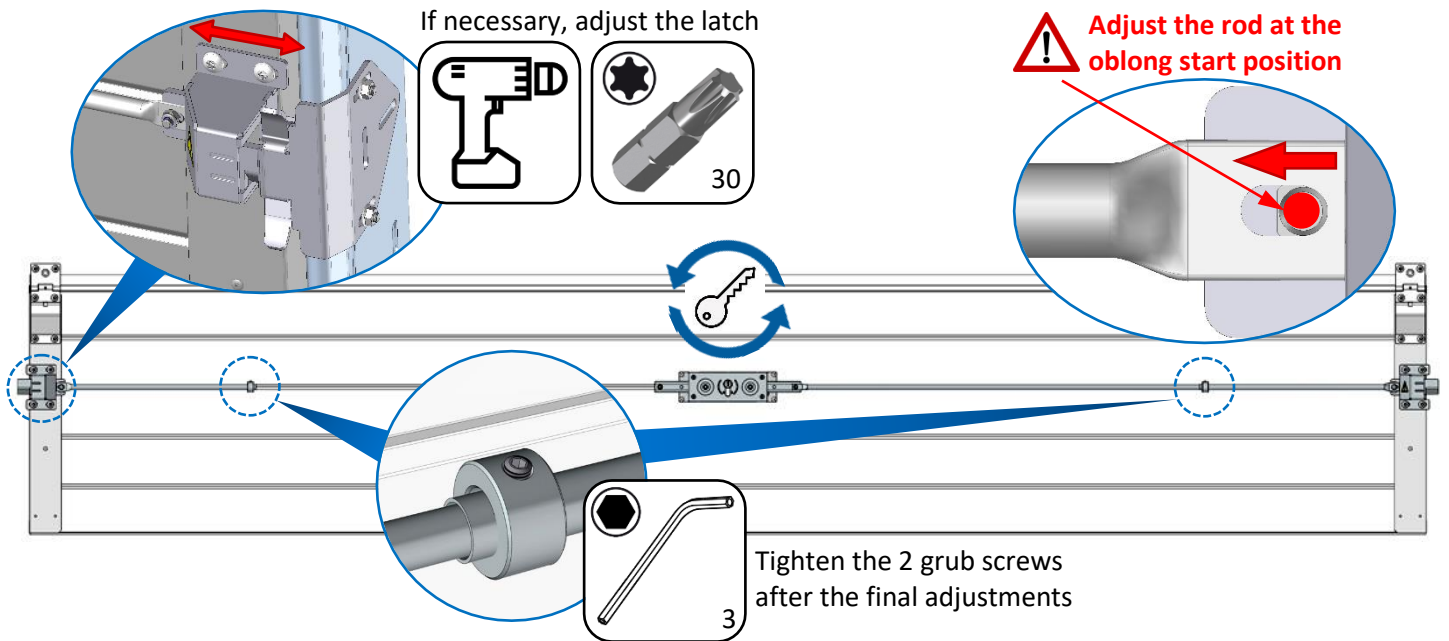
Close the lock

Adjust the strike plates
Tighten the nuts after adjusting

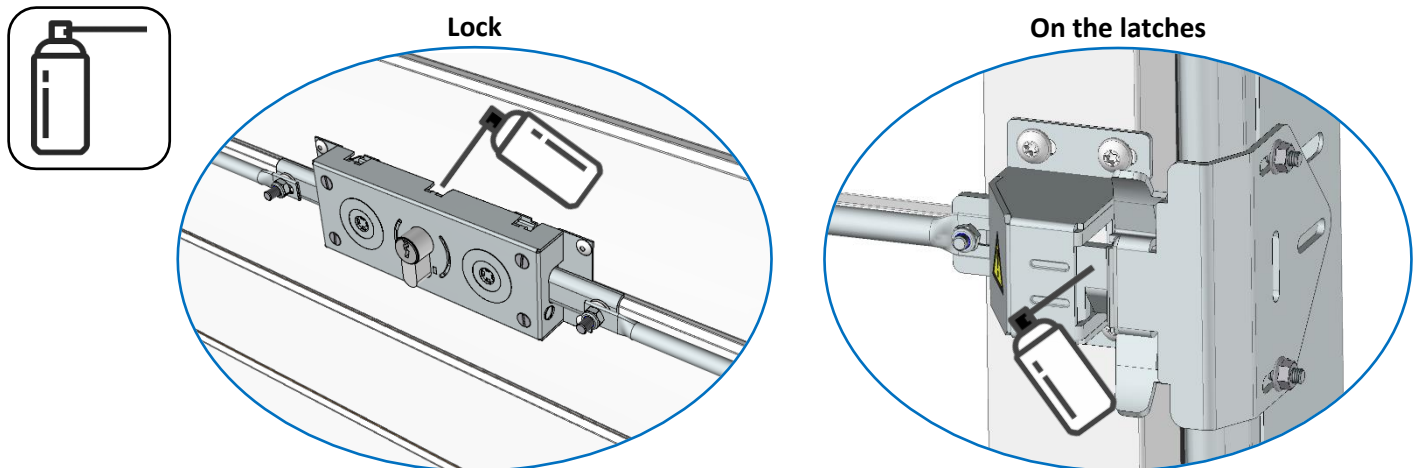


Allow some play between the strike plate and the latch

Checking the lock :



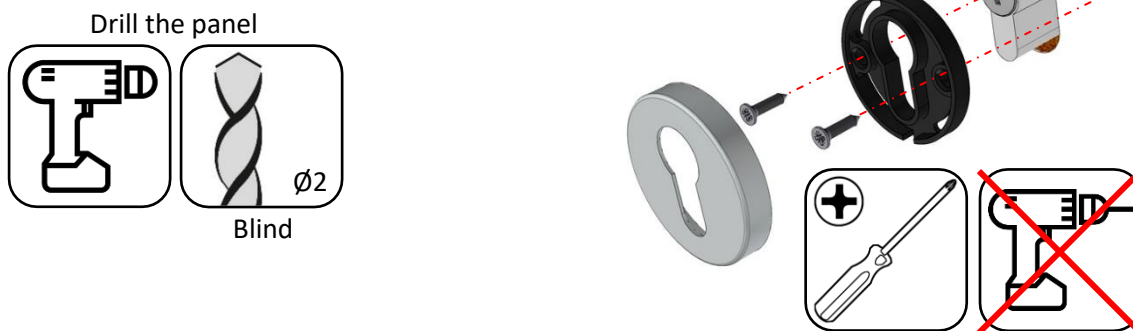
Lightly grease the lock and the 2 latches :



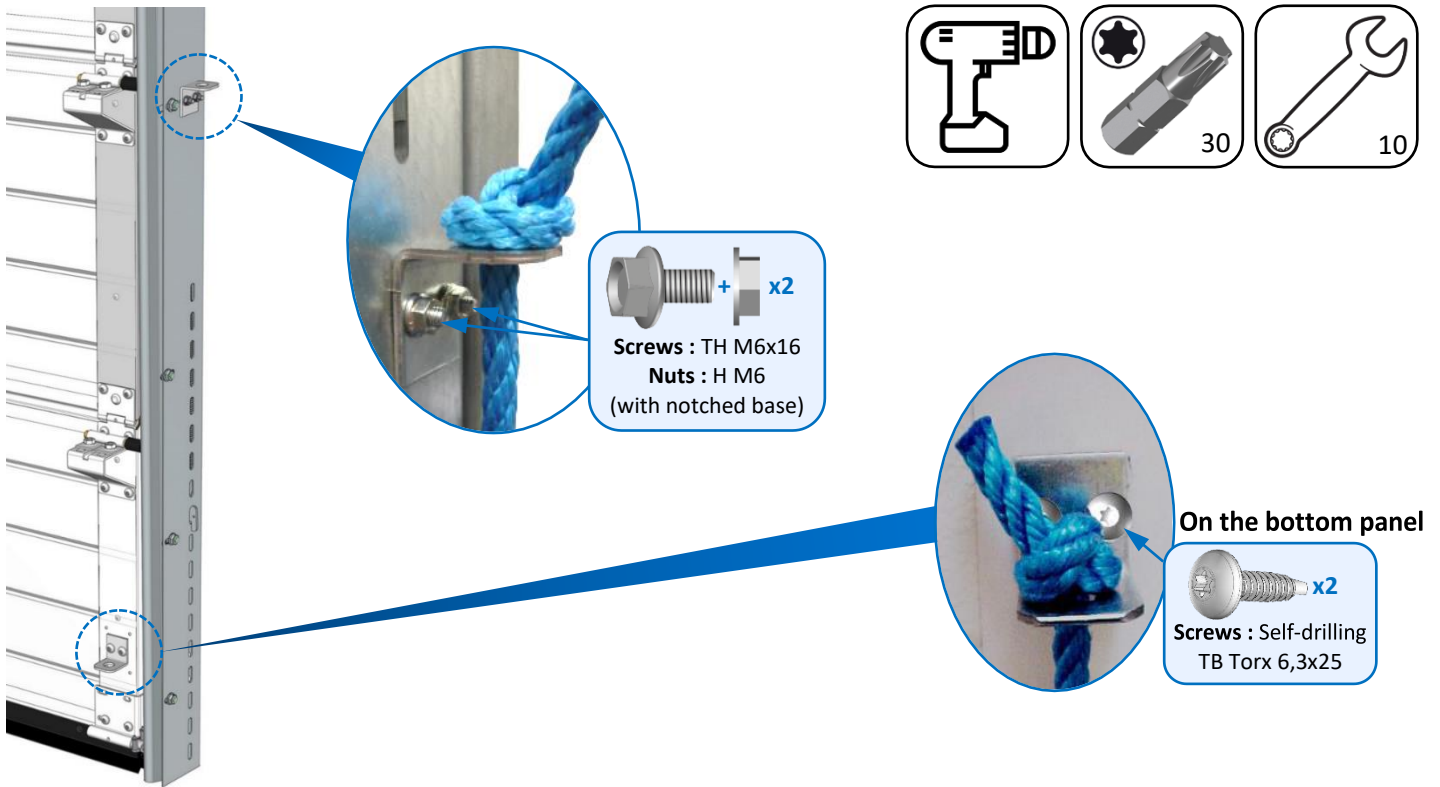
IMPORTANT :

If you feel a rough spot, check the installation of the latches, rods and strike plates.

Fixing the cover plate :



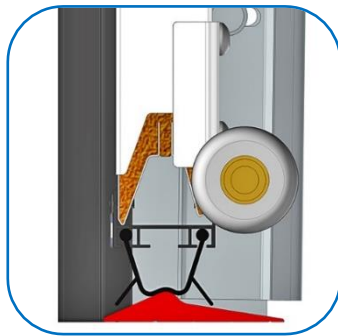
Installing the pull cord (if manual door)



Installation of opening stop (if manual door)

- Refer to the instruction for installation of the opening stop.

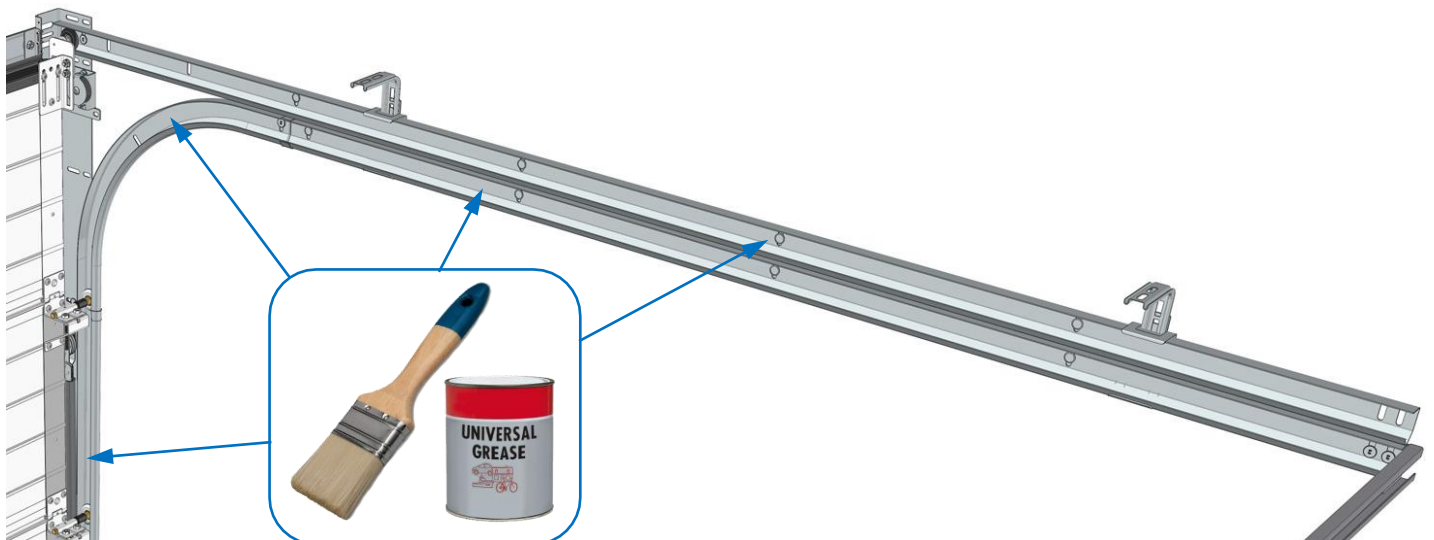
Weather seal (optional)



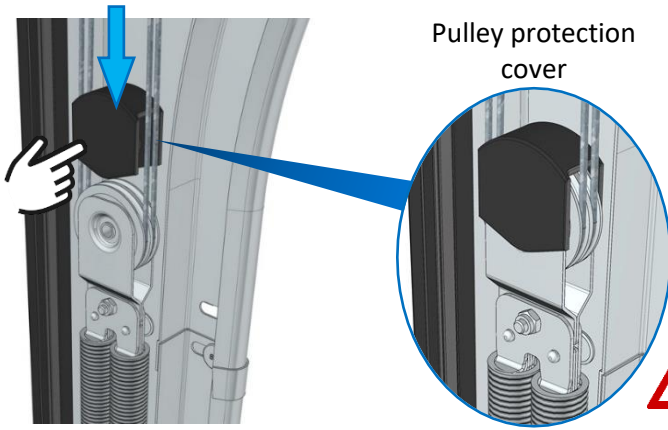
Weather seal section to be glued to the floor between the rails.

Refer to manual : Weather seal.

Greasing the bottom of the rails



Mounting of spring pulley covers

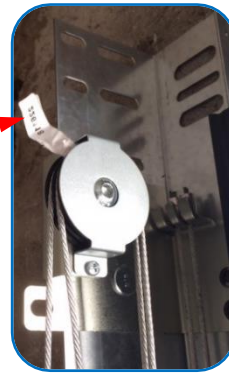


Pulley covers are not supplied, if the rails are equipped with the protection cover option.

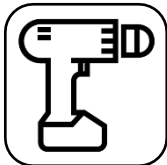
Cable labels



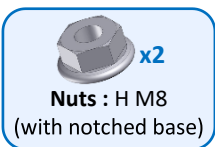
Remove the cable labels



Fixing the « SOMMER » operator to the back bar

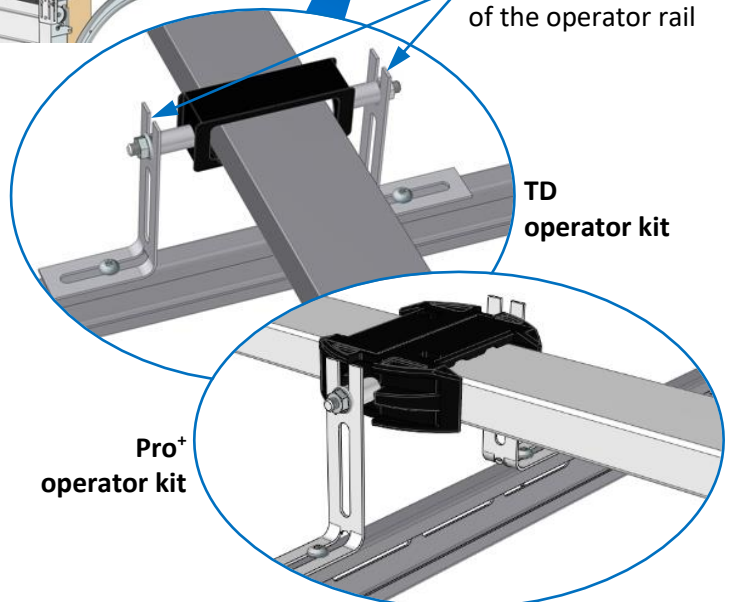


Cut the hangers of the operator rail



2 spacers

2 screws
TRCC M8x50



TD operator kit

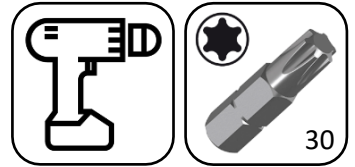
Pro+ operator kit



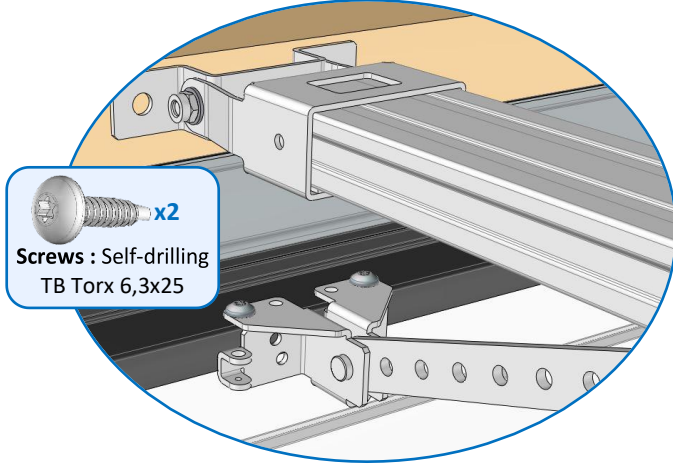
This fastening kit is compatible exclusively with all « SOMMER » operators.

Fixing the « FAAC or CAMÉ » operators on the panel

Securing the attachment
(screws supplied in repair kit)

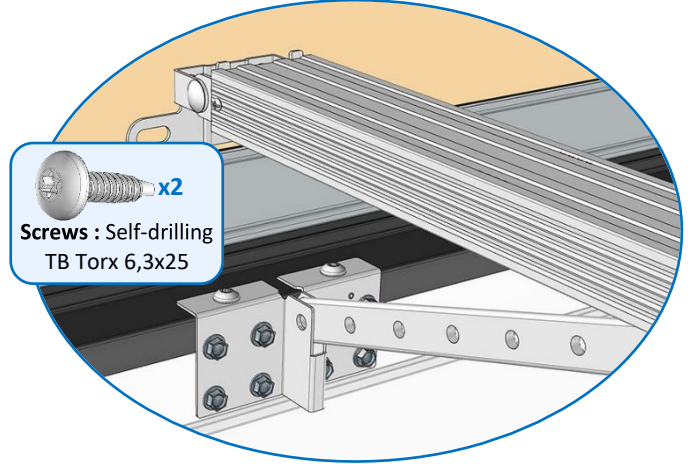


FAAC operator



Screws : Self-drilling
TB Torx 6,3x25

CAMÉ operator



Screws : Self-drilling
TB Torx 6,3x25

FAAC operator (ref. DOLPHIN)

Min. OH	100 mm
Max. OH	720 mm
Opening	3380 mm

CAMÉ operator (ref. K01MV-005)

Min. OH	125 mm
Max. OH	600 mm
Opening	3230 mm

CAMÉ operator (ref. V6000)

Min. OH	125 mm
Max. OH	600 mm
Opening	3175 mm