

# Manual No. 7042

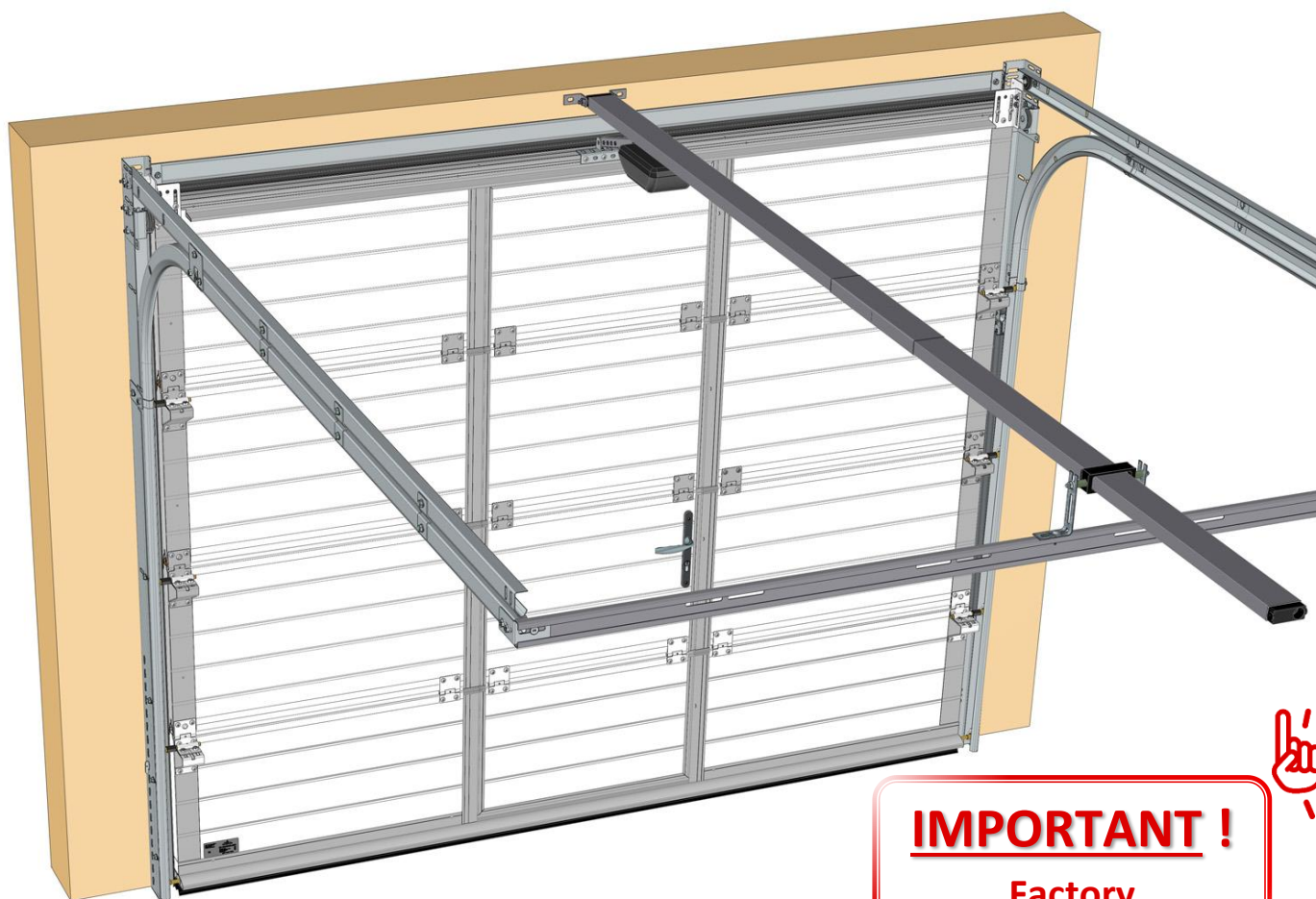
03/25

## INSTALLATION

### Residential garage doors Manual or Motorised



**RE100 with Wicket door**  
with reduced 30 mm  
or standard 60 mm threshold



**IMPORTANT !**  
Factory  
pretensioned springs



(Document reserved for installers)

# Contents

Installation instruction.....	3
Before installation .....	4
Required equipment .....	4
Kit contents for each door configuration/option .....	5
Kits for MOTORISED and MANUAL doors.....	5
Kits for MOTORISED doors .....	6
Kits for MANUAL doors .....	6
Wicket door parts.....	7
Vertical rail installation.....	8
Checking the bay .....	8
Mounting of vertical seals .....	8
Mounting the brackets and the seal on the cross-member .....	9
Fixing of the cross-member to the floor .....	9
Layout of the frame.....	10
Fixing the vertical rails.....	10
Horizontal rail installation .....	11
Mounting of the stops (motorised doors).....	11
Assembling of curves.....	11
Fixing the horizontal rails .....	12
Assembling the back bar brackets.....	13
Installing the back bar .....	13
Installing the hangers.....	14
Back bar extension (option) .....	14
Checking the diagonals.....	15
Panels preparation.....	15
Identifying the opening direction.....	15
Bottom panel .....	16
Intermediate panel(s).....	16
Mounting of the panels .....	18
Grease all roller shafts.....	18
Bottom panel installation illustrated with standard 60 mm threshold.....	18
Specific informations, if reduced 30 mm threshold .....	18
Secure mounting of the panels on both sides.....	22
Installing intermediate panel 1 .....	23
Installing the top panel .....	25
Wicket door finalization.....	27
Adjusting the stop module .....	27
Remove the shim .....	27
Installation of the rod.....	28
Activating the lock .....	31
Boxes operation test .....	32
Tip test 2.....	33
Adjusting the door closure .....	33
Solution « if the lock is stuck » .....	34
Finishes : Plugs, split hinges and strike plates.....	35
Finishes .....	36
Adjusting the rollers .....	36
Removal of top safety parts .....	37
Opening of the door.....	37
Checking the balance .....	38
Adjusting the spring tension .....	38
Fixing vertical rails at the level right & left pulleys .....	39
Adjusting and fixing of the cross-member .....	39
Fixing the upper roller supports.....	40
Installation of opening stop (if manual door) .....	40
Mounting the handle .....	40
Mounting the latch (optional on motorised doors) .....	41
Installing the pull cord (if manual door).....	41
Weather seal (optional) .....	42
Greasing the bottom of the rails .....	42
Mounting of spring pulley covers.....	42
Cable labels .....	42
Fixing the « SOMMER » operator to the back bar .....	43
Micro switch & contact radio .....	44
Connecting the safety micro switch to the TD operator (wiring).....	44
Installation : Safety contact radio (wireless) on top panel of wicket door .....	45
Connection.....	46
Safety contact radio (wireless) with the TD operators (SOMMER) .....	46
Safety contact radio (wireless) or switch (wired) with Pro+ (SOMMER) operators .....	46
Safety contact radio (wireless) with the Dexxo Smart io 800 operator (SOMFY) .....	47
Safety contact radio (wireless) with the Dexxo Optimo RTS operator (SOMFY).....	47

# Installation instruction



**To ensure that this product is assembled,  
used and maintained in complete safety,  
it is important to follow the instructions provided in this document.  
For everyone's safety, please adhere to the precautionary measures below.**

- Before beginning the assembly, read this manual carefully.
- This closure must be installed by a professional technician.
- All the parts delivered are specifically sized for this product.  
Adding and/or using other parts may be detrimental to safety and may affect the product's warranty.
- Any modification or improvement of this closure must be compliant with the standard BS EN 13241:2003+A2:2016.  
In this case, a " Modification/Transformation " file must be created by the installer as per the standard BS EN 12635 :2002+A1 :2008 annex C.
- Considerable force is exerted by the extension springs ;  
carry out work in accordance with the safety instructions.  
Use the appropriate tools to install these products.  
Ensure that all work is carried out on a stable floor.
- Ensure that the assembly area is adequately lit, clear, clean and clearly marked out.
- Ensure that no other people are present at the assembly site apart from the installers.  
Indeed, non-authorized persons such as children, who are present at the site risk injury during assembly.
- All the components of this closure must be installed in compliance with the installation instructions provided in this manual.
- All the requirements of the standards BS EN 13241:2003+A2:2016 must be met and verified, if necessary.

**Max. tightening torque :**

Assembly screws = 10 Nm

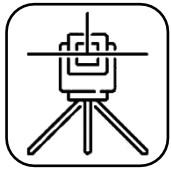
Panels mounting screws = 12 Nm

**Min. working load per attachment point :**

Rails = 40 daN

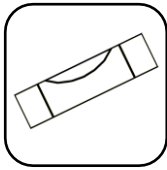
# Before installation

## Required equipment

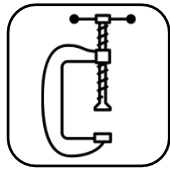


Laser level

or



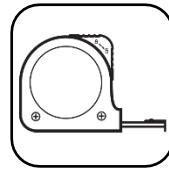
Spirit level



Clamps



Plumb bob



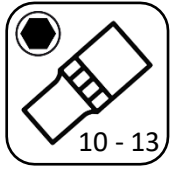
Tape measure



Utility knife



Electric screwdriver



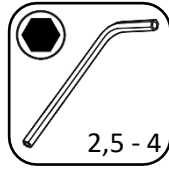
Sockets  
10 - 13



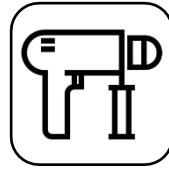
Cruciform bit



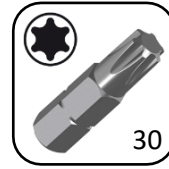
Flat keys  
10 - 13



Allen keys  
2,5 - 4



Perforator



Torx bit  
30



Square end-piece  
SQ2



Phillips screwdriver



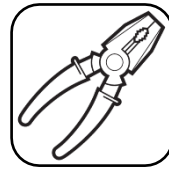
Flat screwdriver



Pencil



Grinder



Combination pliers



Cutting pliers



Locking pliers



Steel drill bits  
Ø2-4,2-4,5-10-13



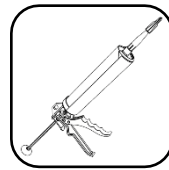
Hammer



Rivet gun



Hacksaw



Silicone seal



Brush



Pot of grease  
UNIVERSAL GREASE



Ladder

# Kit contents for each door configuration/option

## Kits for MOTORISED and MANUAL doors

<p><b>KIS-032</b></p> <p>x24 x4 x4</p>	<p><b>KIS-033</b></p> <p>x12 x3</p>	<p><b>KIS-839</b></p> <p>x2 x2</p>	<p><b>KIS-865</b></p> <p>x2 x2 x4 x4</p>
<p><b>KIS-822</b></p> <p>x6 x6 x2</p>	<p><b>KIS-823</b></p> <p>x1 x6 x6 x1</p> <p style="text-align: center;"><b>OR</b></p>		<p><b>KIS-824 &amp; 825</b></p> <p>x8 and x6 x8 and x6</p>
<p><b>KIS-092</b></p> <p>x16 x4 x4</p>	<p><b>KIS-826</b></p> <p>x2 x4 x1 x2 x2</p>	<p><b>KIS-829</b></p> <p>x4 x4 x4</p>	
<p><b>KIS-840</b></p> <p>x4 x4 x1 x1 x2 x8</p>	<p><b>KIS-860</b></p> <p>x2 x4 x4 x4</p>	<p><b>KIS-861</b></p> <p>x2 x2 x2</p>	
<p><b>KIS-830</b></p> <p>x8 x1 x1 x2 x4 x1 x1</p>	<p><b>PGN-010</b></p> <p>x4 x1 x1</p> <p style="text-align: center;"><b>OR</b></p>		<p><b>KIS-835 or 836</b></p> <p>x4 or x6</p>

Kit supplied, if reduced 30 mm threshold

Only, if 60 mm threshold

### Kits for MOTORISED doors

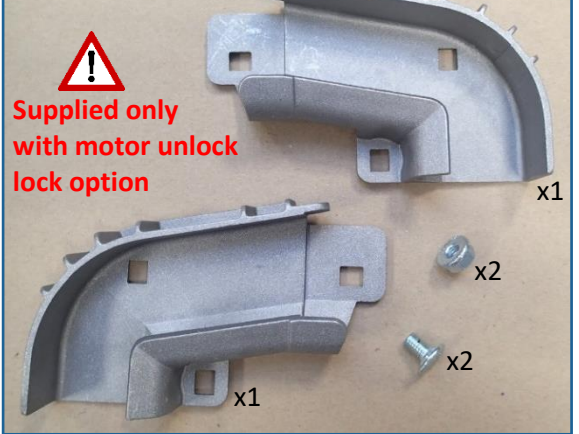
KIS-028



KIS-827

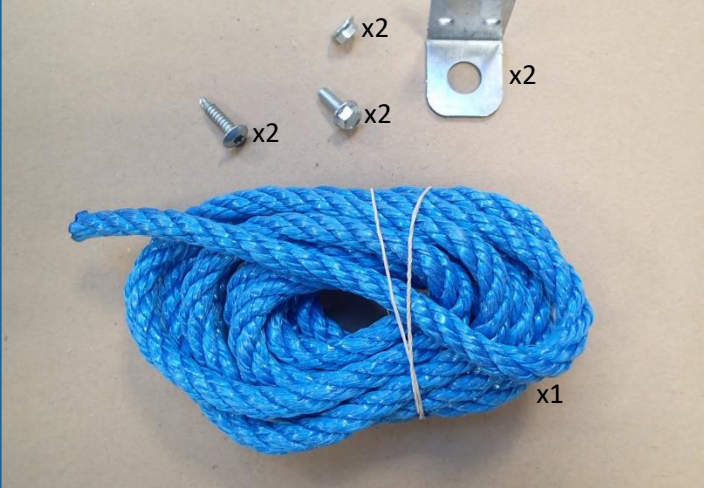


KIS-828

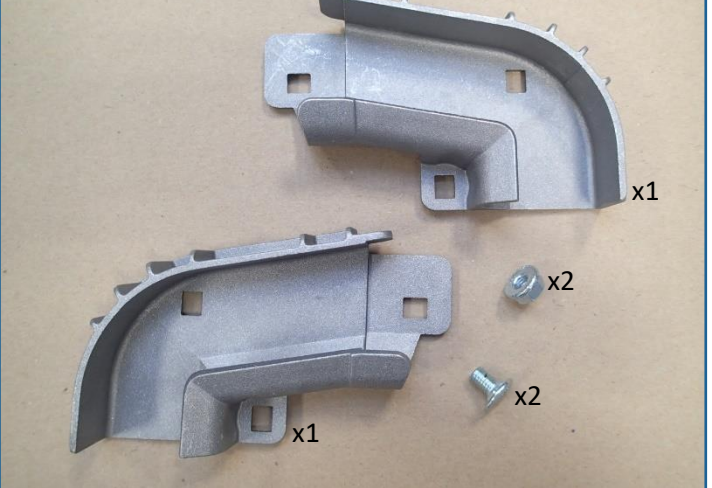


### Kits for MANUAL doors

KIS-012



KIS-828

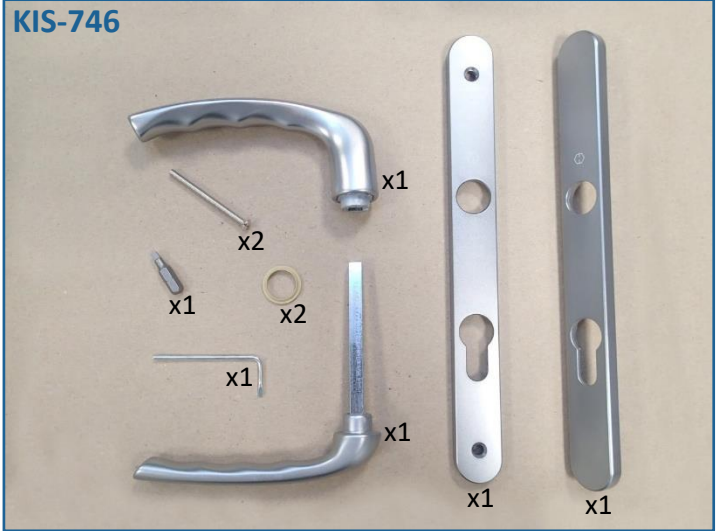


**Wicket door parts**

**KIS-725 or 730 or 732**



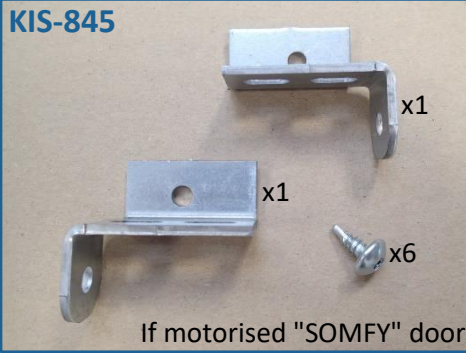
**KIS-746**



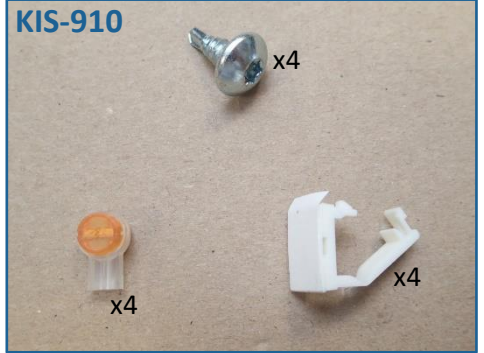
**KIS-750**



**KIS-845**



**KIS-910**



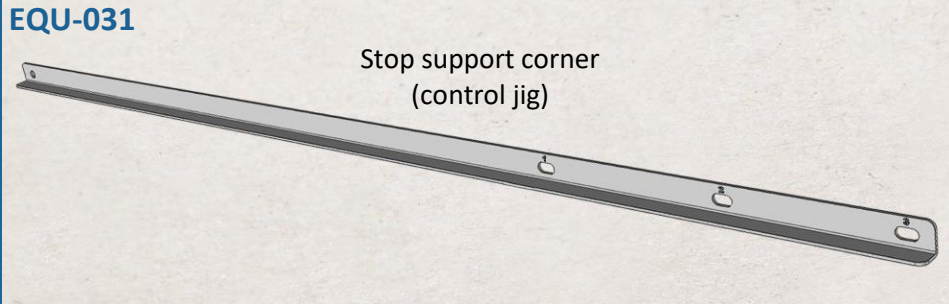
**KIS-915**



**KIS-760**

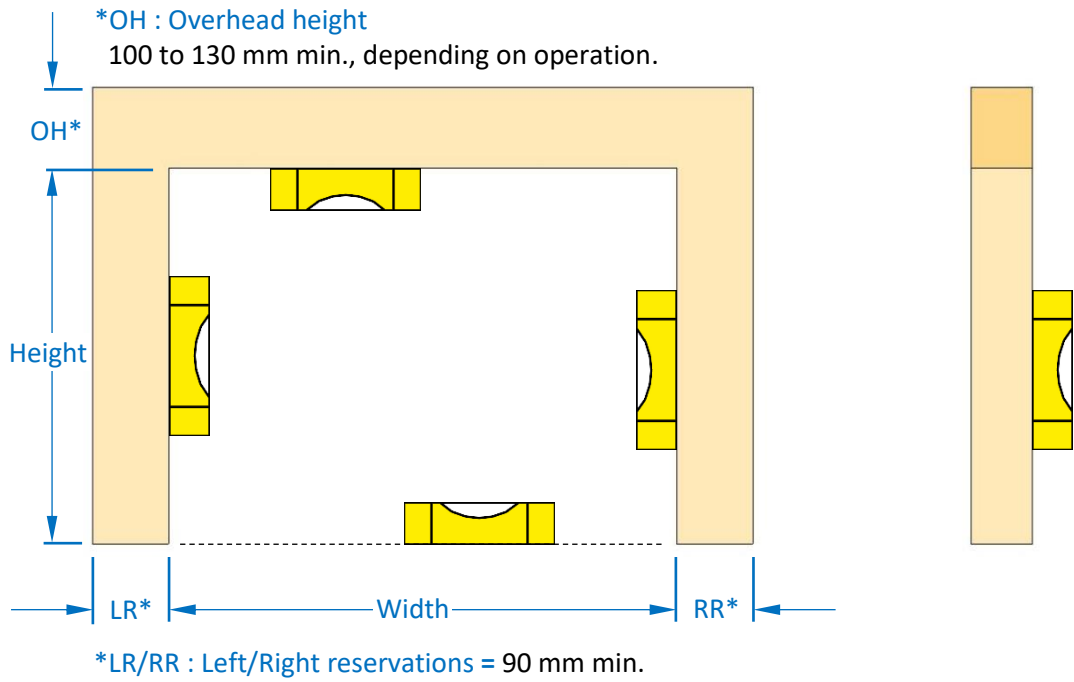
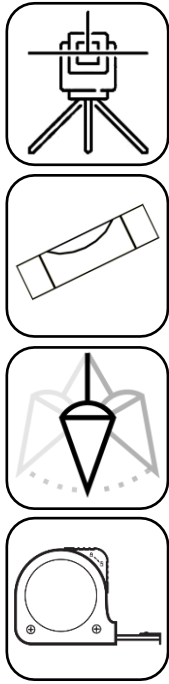


**EQU-031**

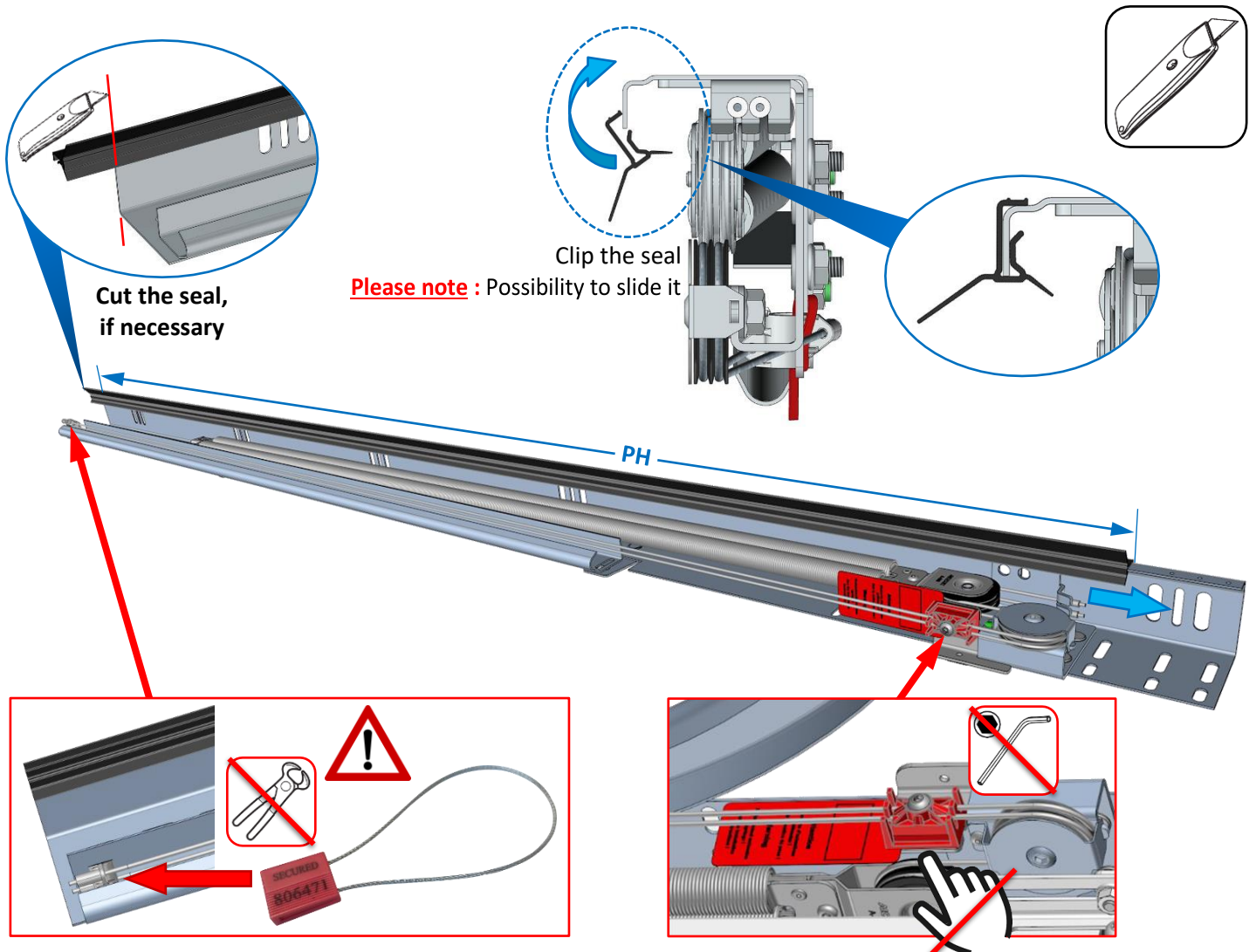


# Vertical rail installation

## Checking the bay




## Mounting of vertical seals

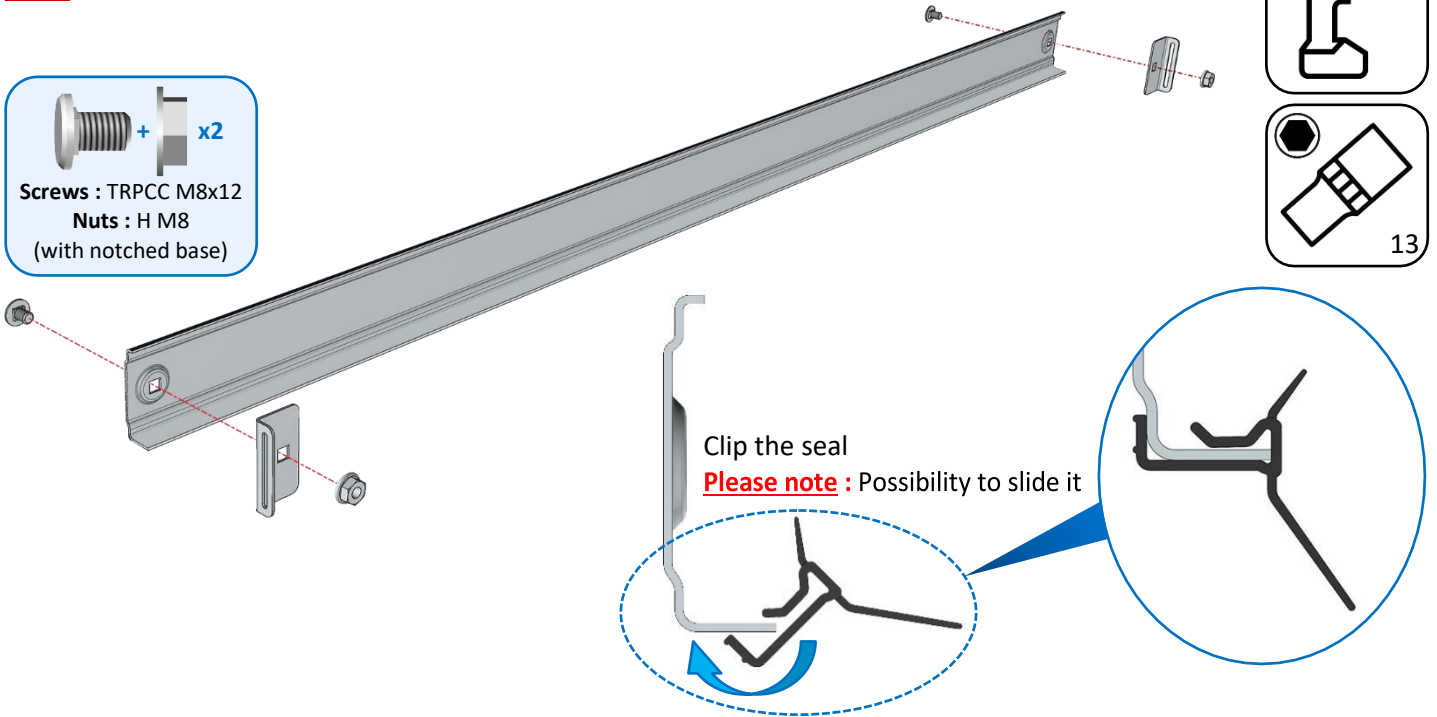




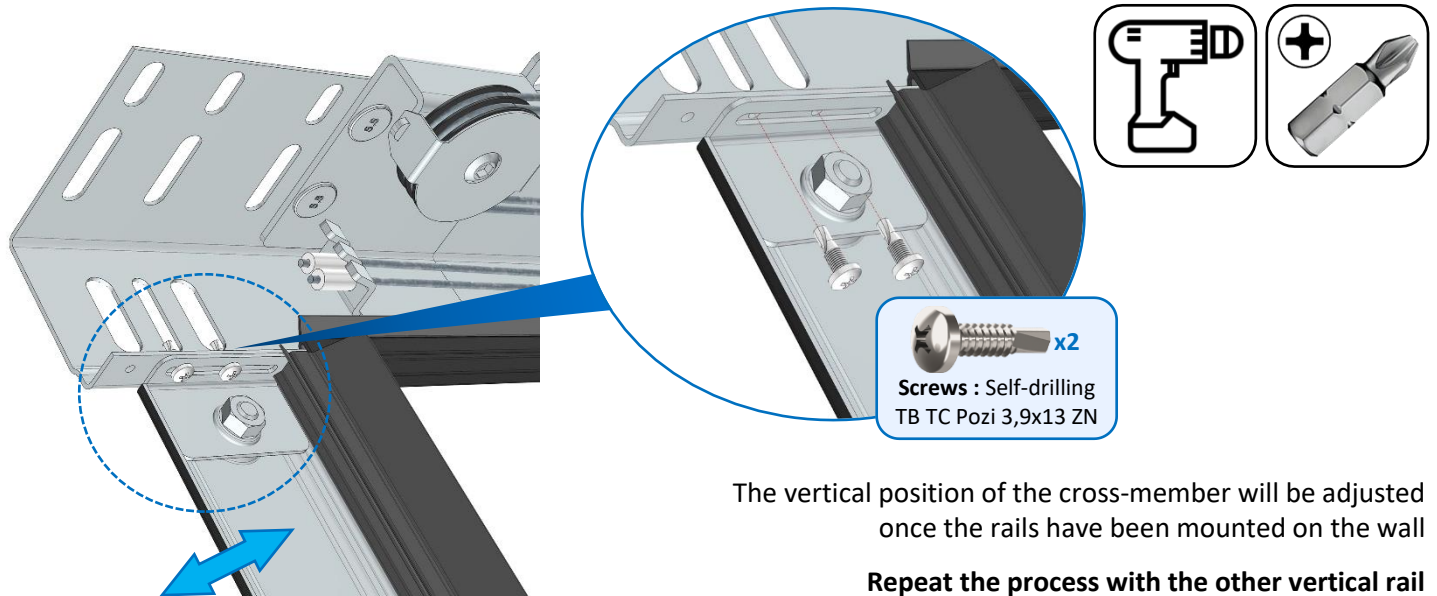
## Mounting the brackets and the seal on the cross-member

**!** Remove the protective film, before starting the assembly.

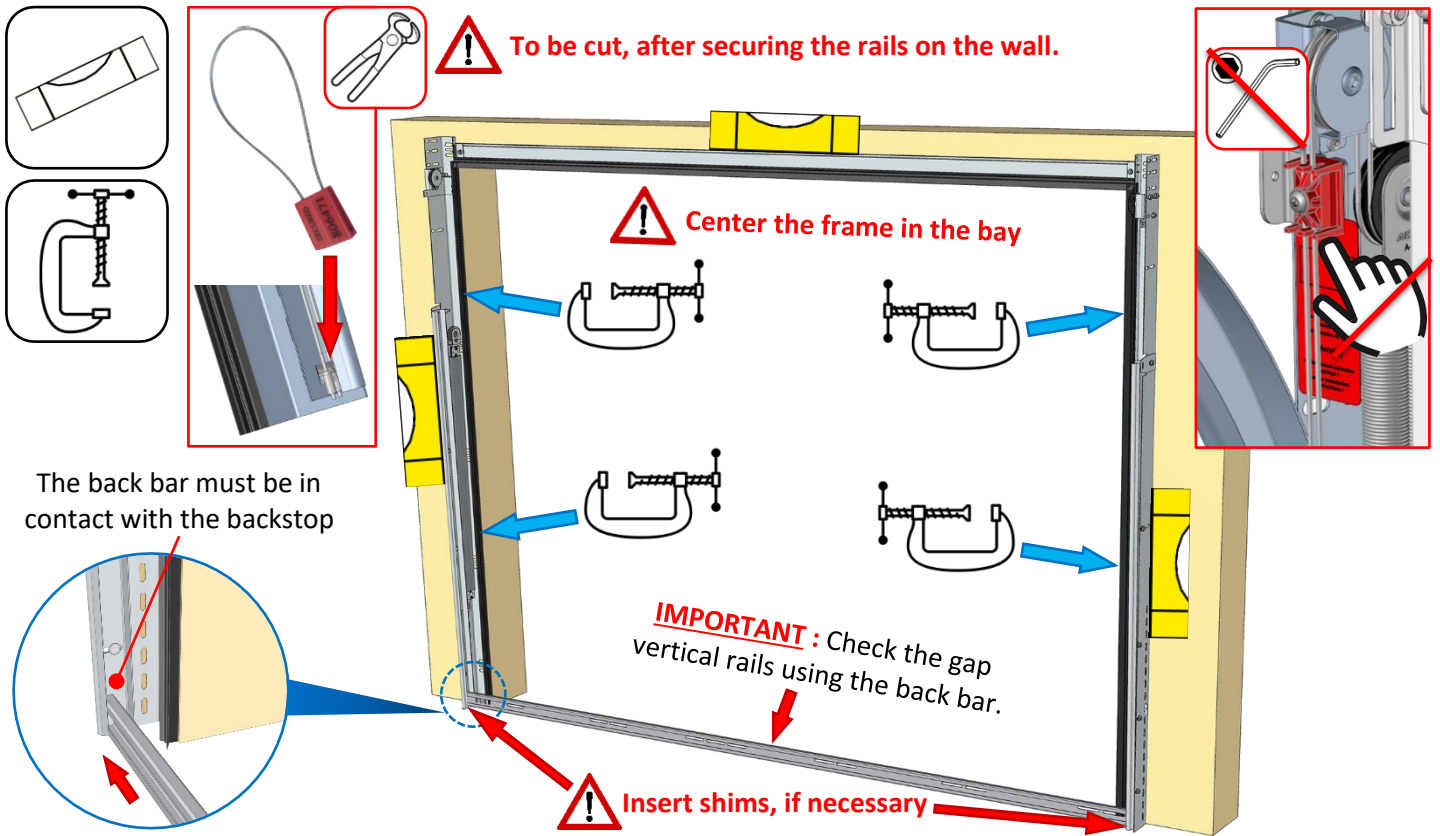
 x2  
Screws : TRPCC M8x12  
Nuts : H M8  
(with notched base)



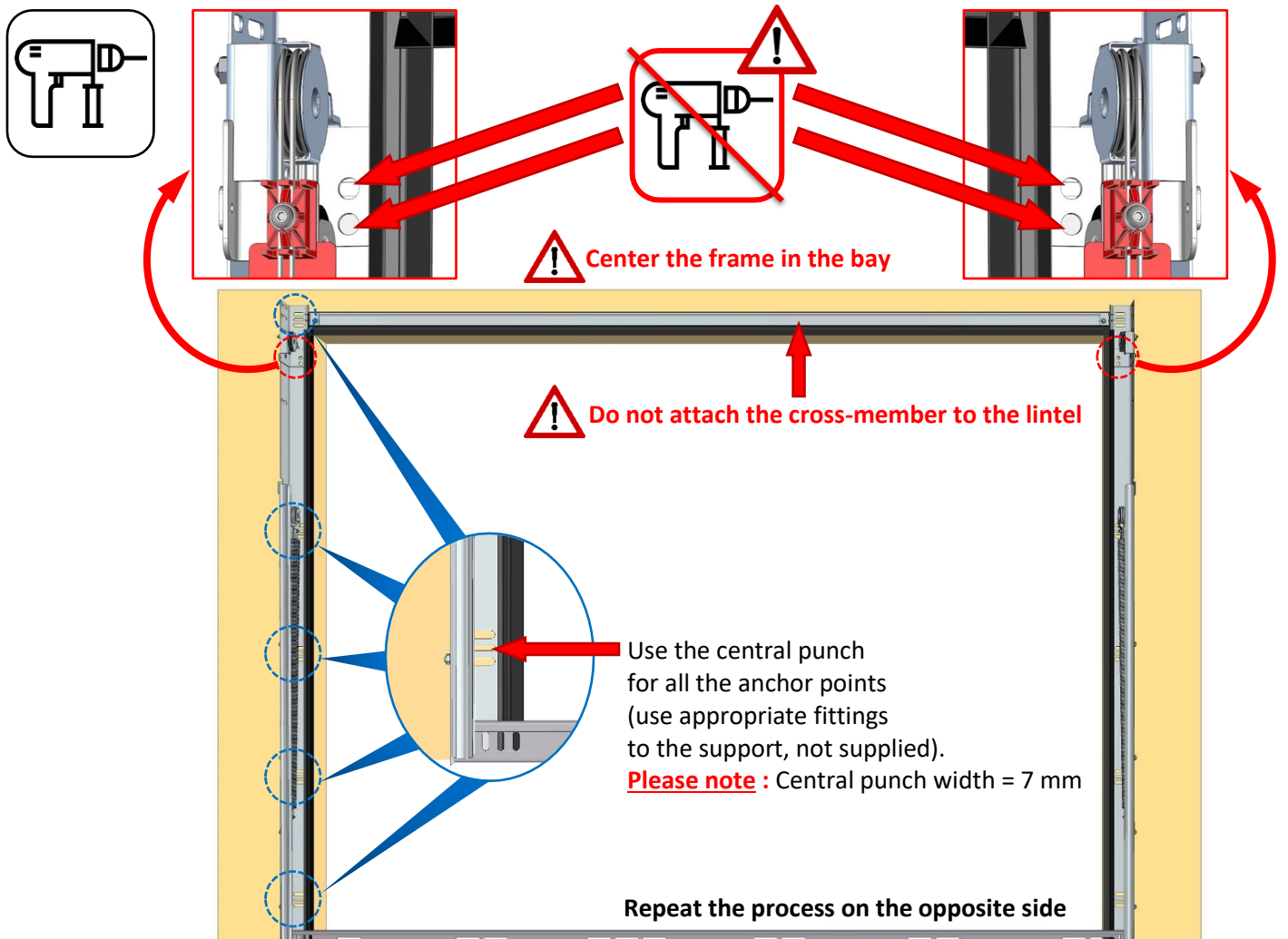
## Fixing of the cross-member to the floor



## Layout of the frame

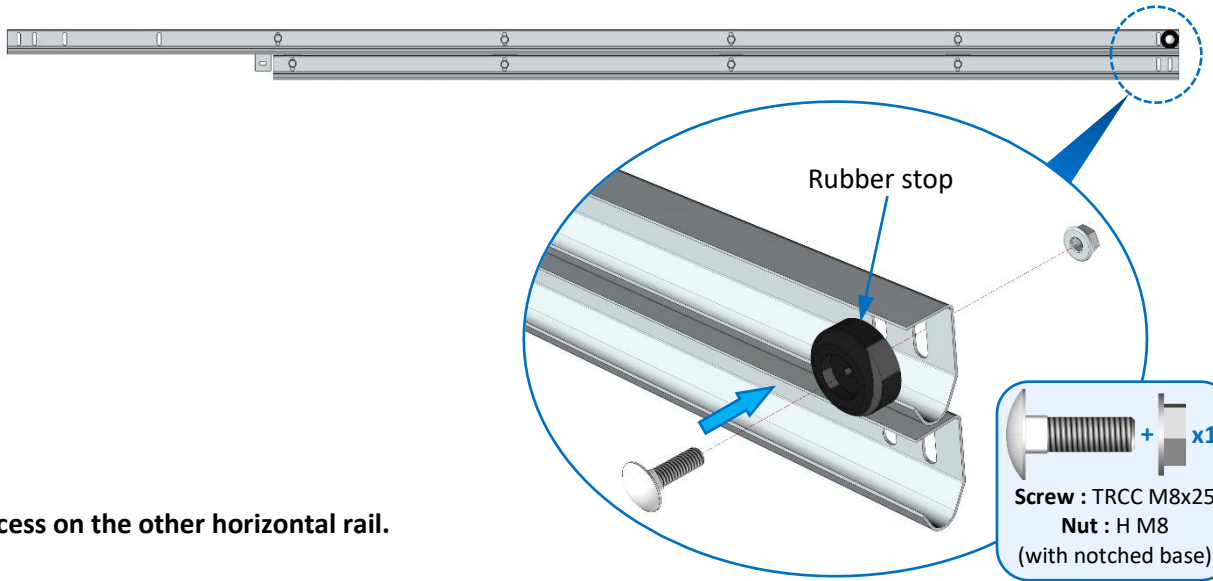


## Fixing the vertical rails



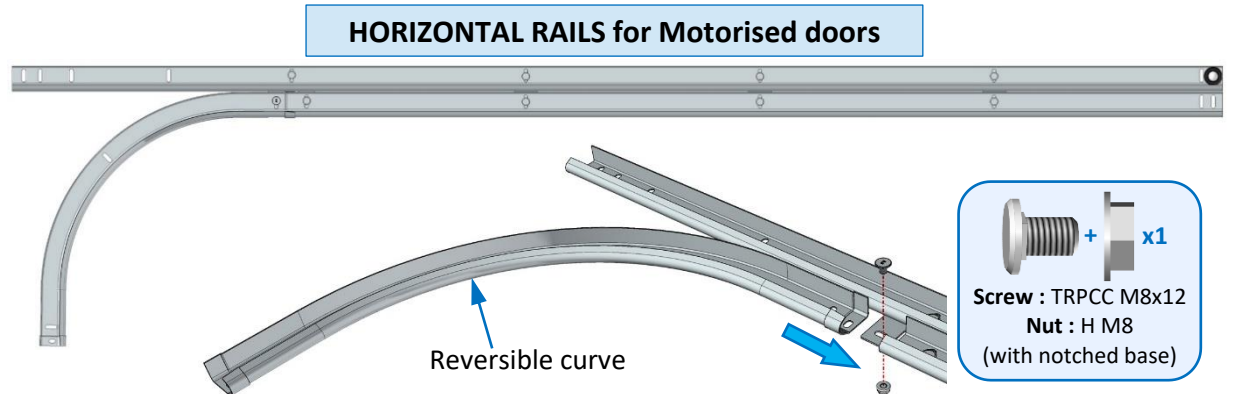
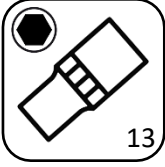
# Horizontal rail installation

## Mounting of the stops (motorised doors)

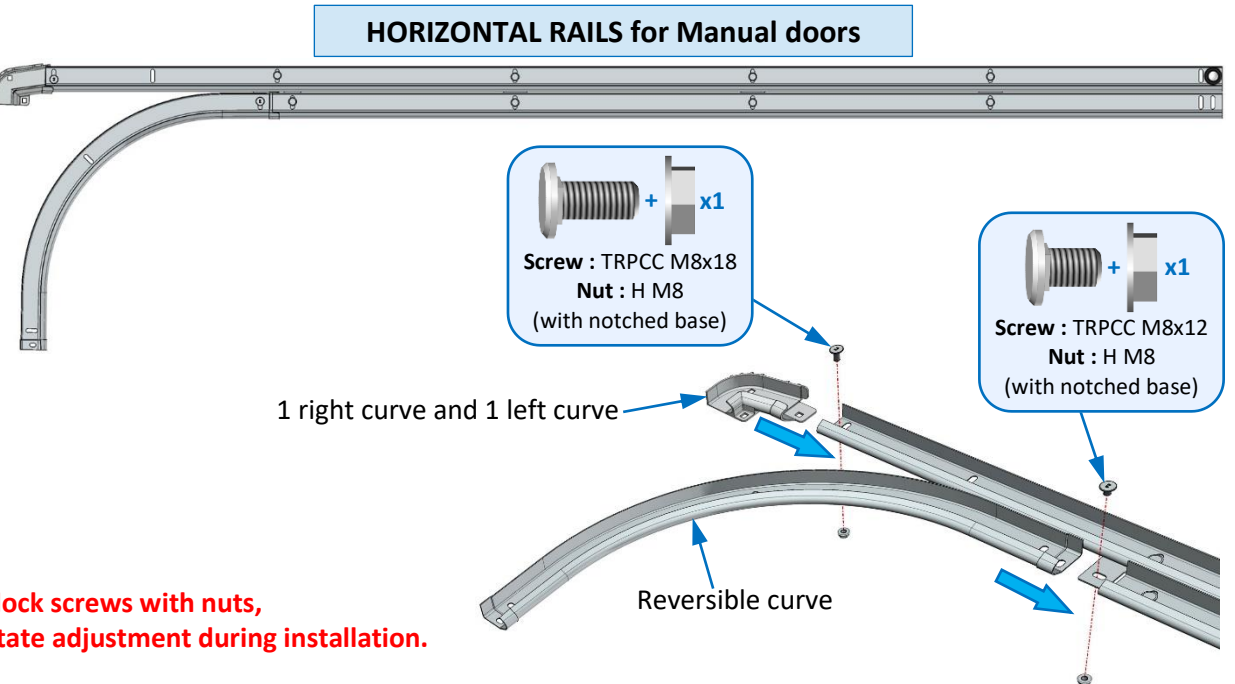


Repeat the process on the other horizontal rail.

## Assembling of curves

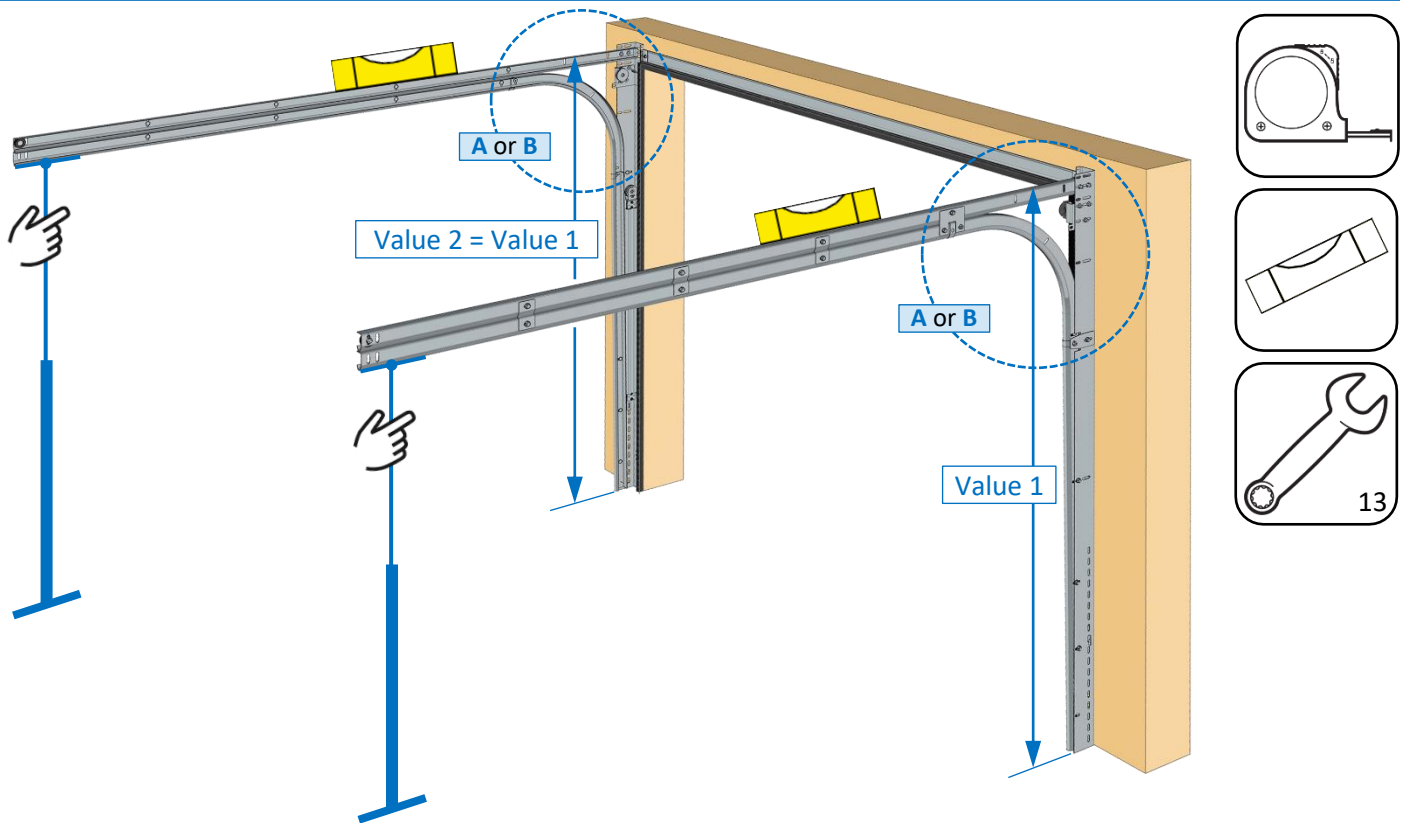


OR



**Do not lock screws with nuts, to facilitate adjustment during installation.**

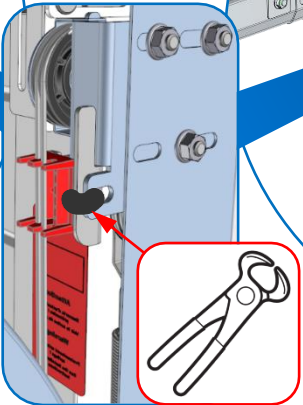
### Fixing the horizontal rails



**A- MOTORISED door**

**B- MANUAL door**

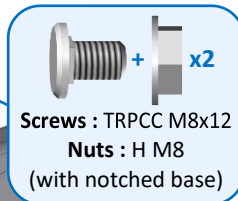
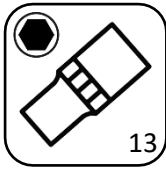
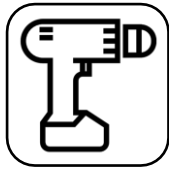
**Screws : TRPCC M8x18**  
**Nuts : H M8**  
 (with notched base) x2



**Cut the clamp**  
**left & right side**

**Screw : TRPCC M8x12**  
**Nut : H M8**  
 (with notched base) x1

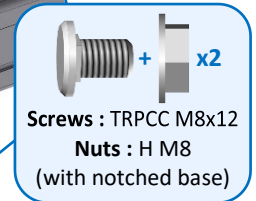
## Assembling the back bar brackets



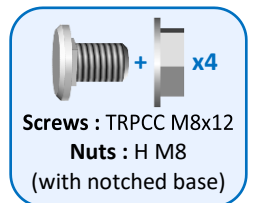
End of back bar in contact with bracket

MANUAL door : OH < 130 mm  
MOTORISED door (Sommer) : OH < 130 mm

Back bar end aligned with end of bracket



## Installing the back bar



MANUAL door

OH < 130 mm

MOTORISED door

For Sommer operator only  
OH < 130 mm

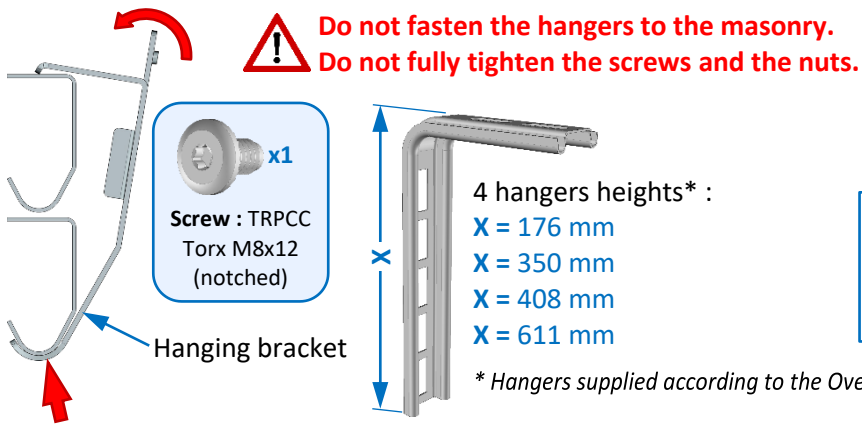
OH ≥ 130 mm

or

or

All operators  
except Sommer OH < 130 mm

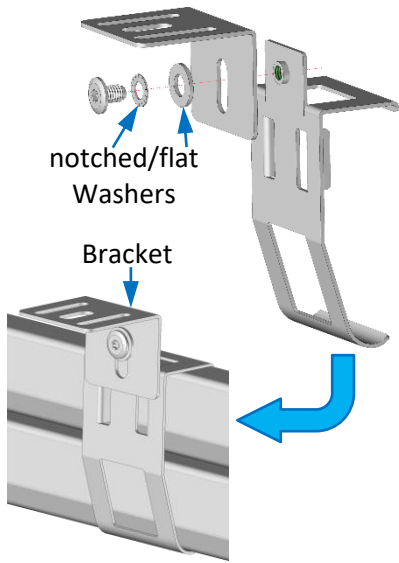
## Installing the hangers



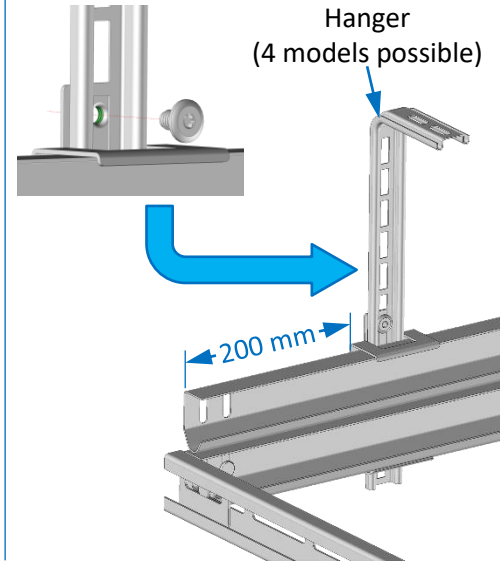
**Adapt the number of hangers to the dimensions of the doors :**

- 2 hangers, if PW ≤ 3000 or PH ≤ 2150 mm
- 4 hangers, if PW > 3000 or PH > 2150 mm

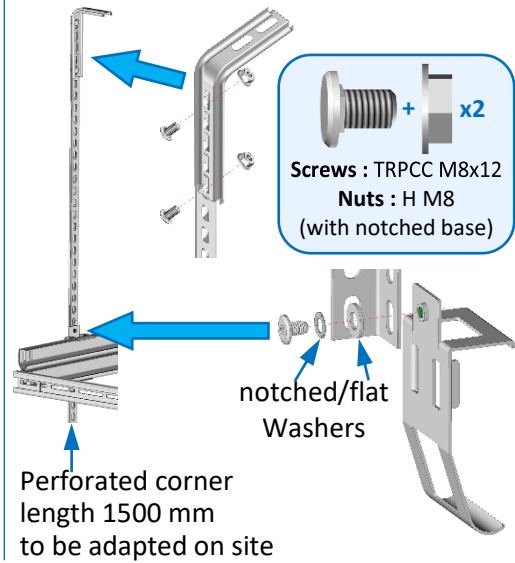
### Assembly : OH ≤ 115 mm



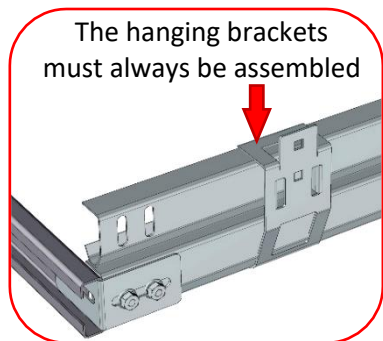
### Assembly : 115 mm < OH ≤ 670 mm



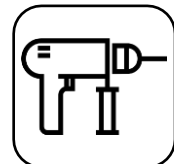
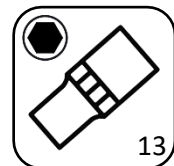
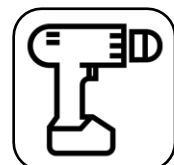
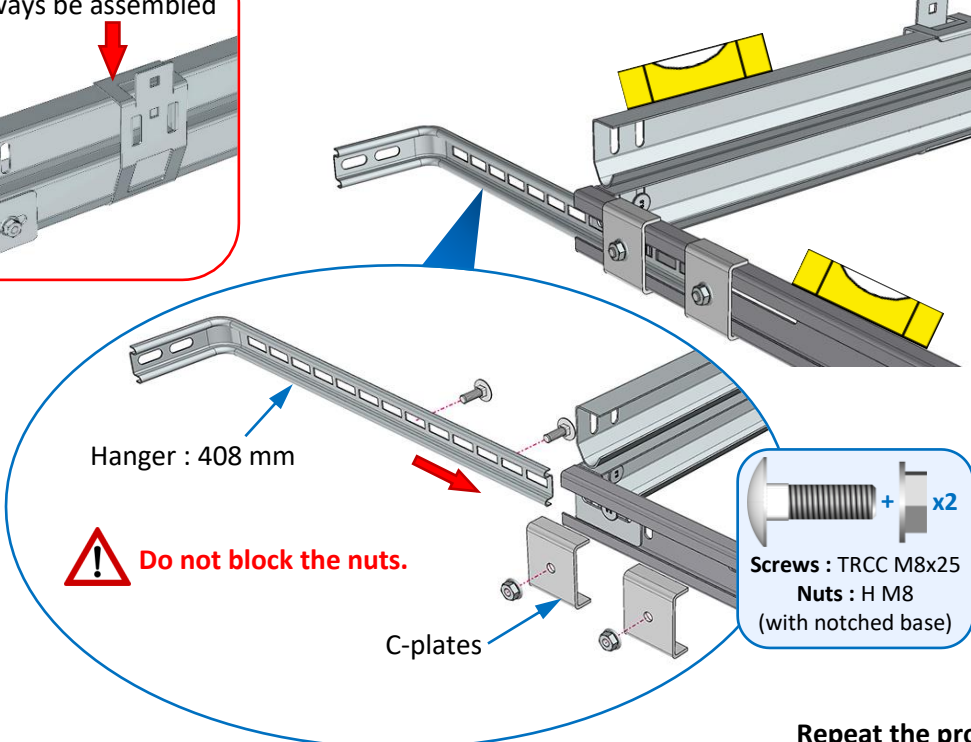
### Assembly : 670 mm < OH ≤ 1600 mm



## Back bar extension (option)

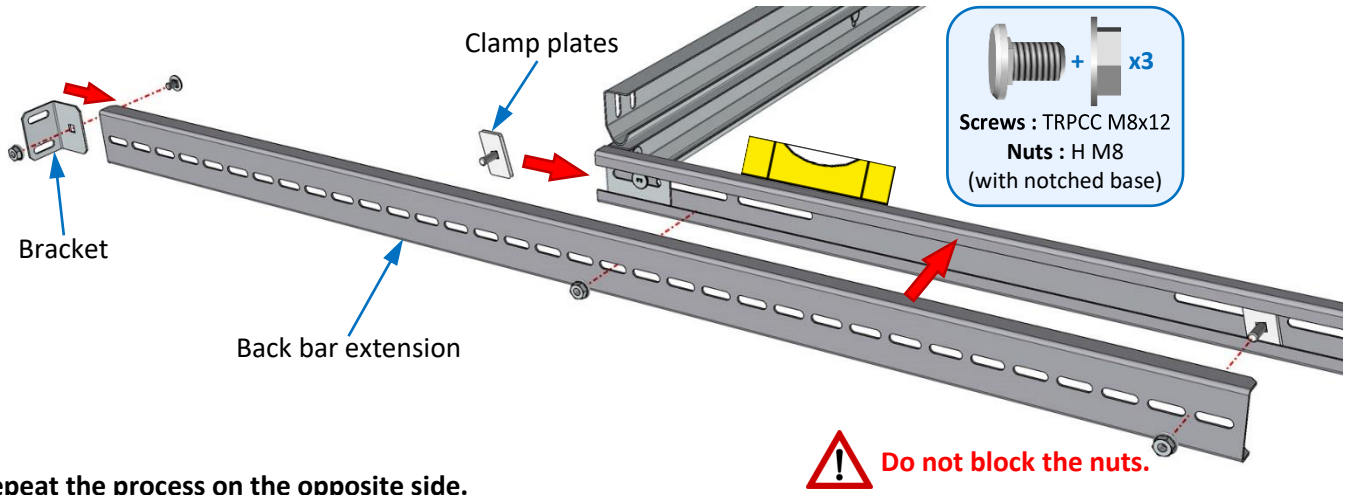


### Reservation ≤ 300 mm



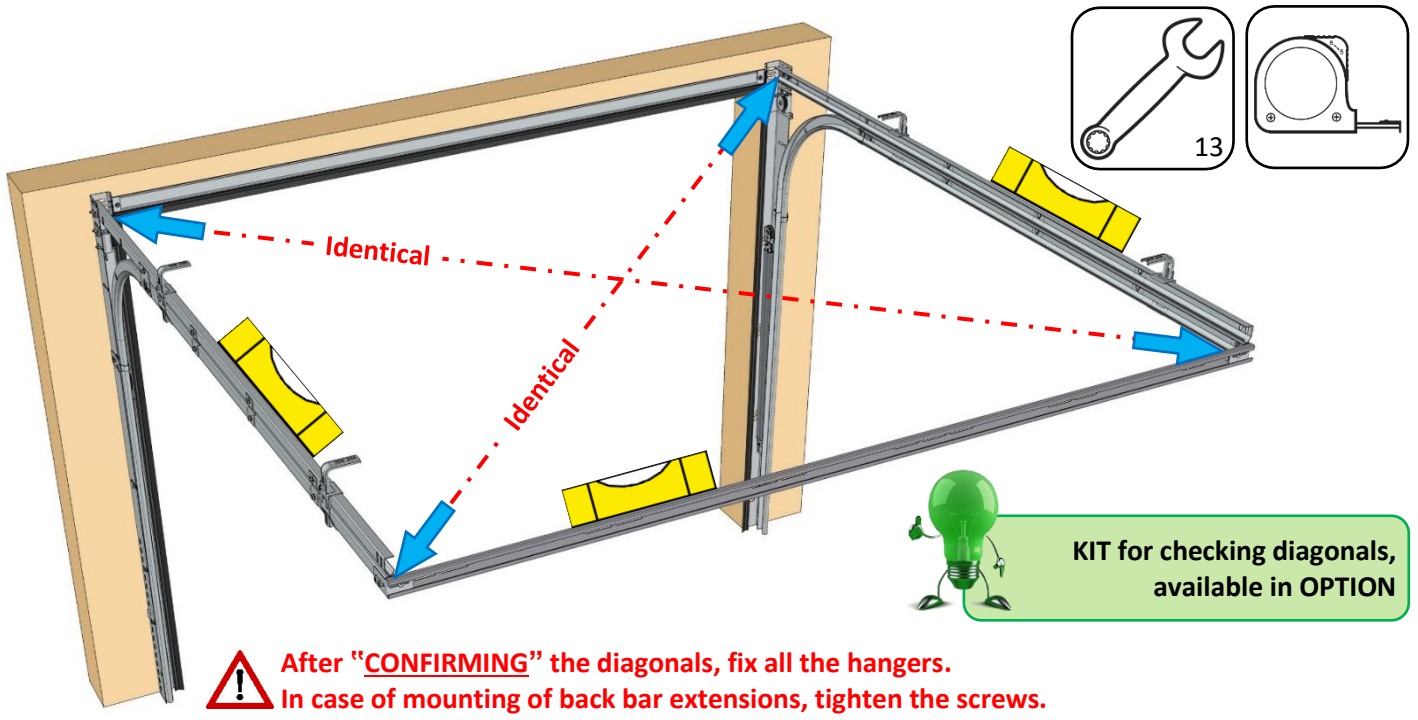
Repeat the process on the opposite side

**300 mm < Reservation ≤ 1000 mm**



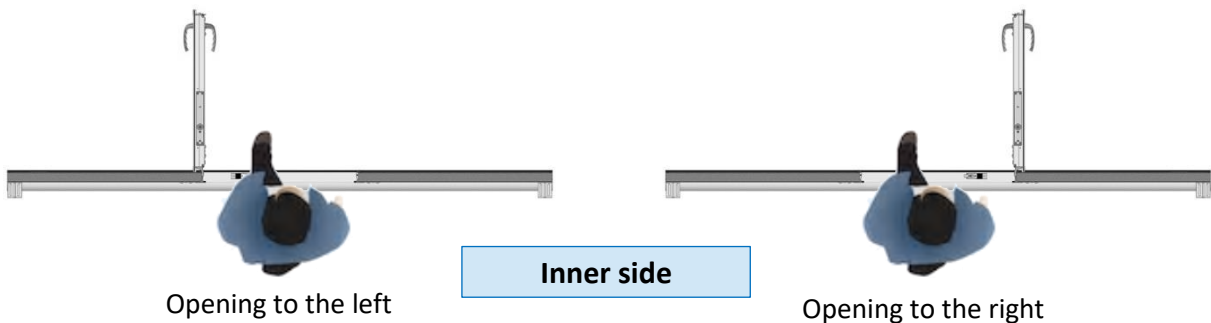
Repeat the process on the opposite side.

**Checking the diagonals**

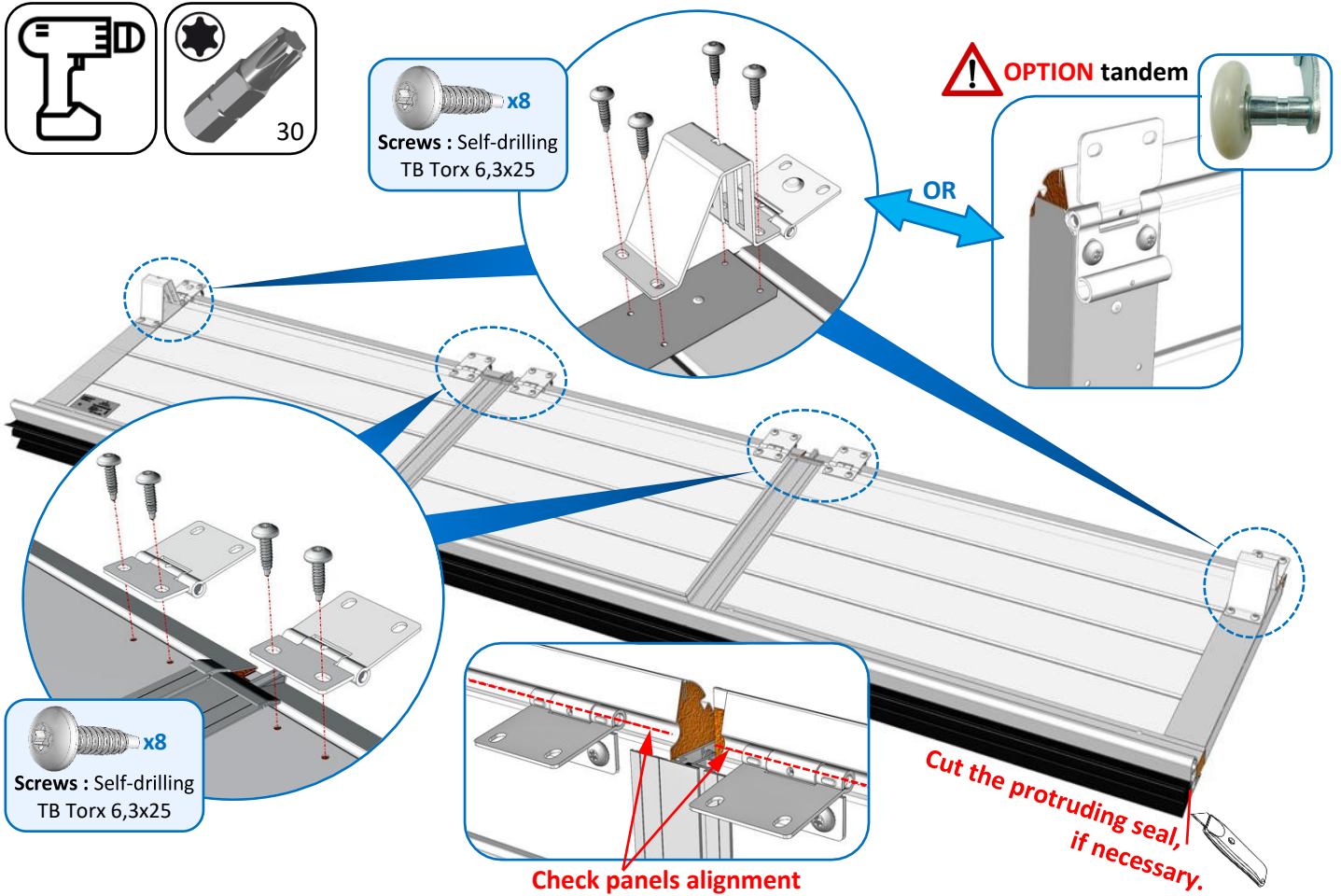


**Panels preparation**

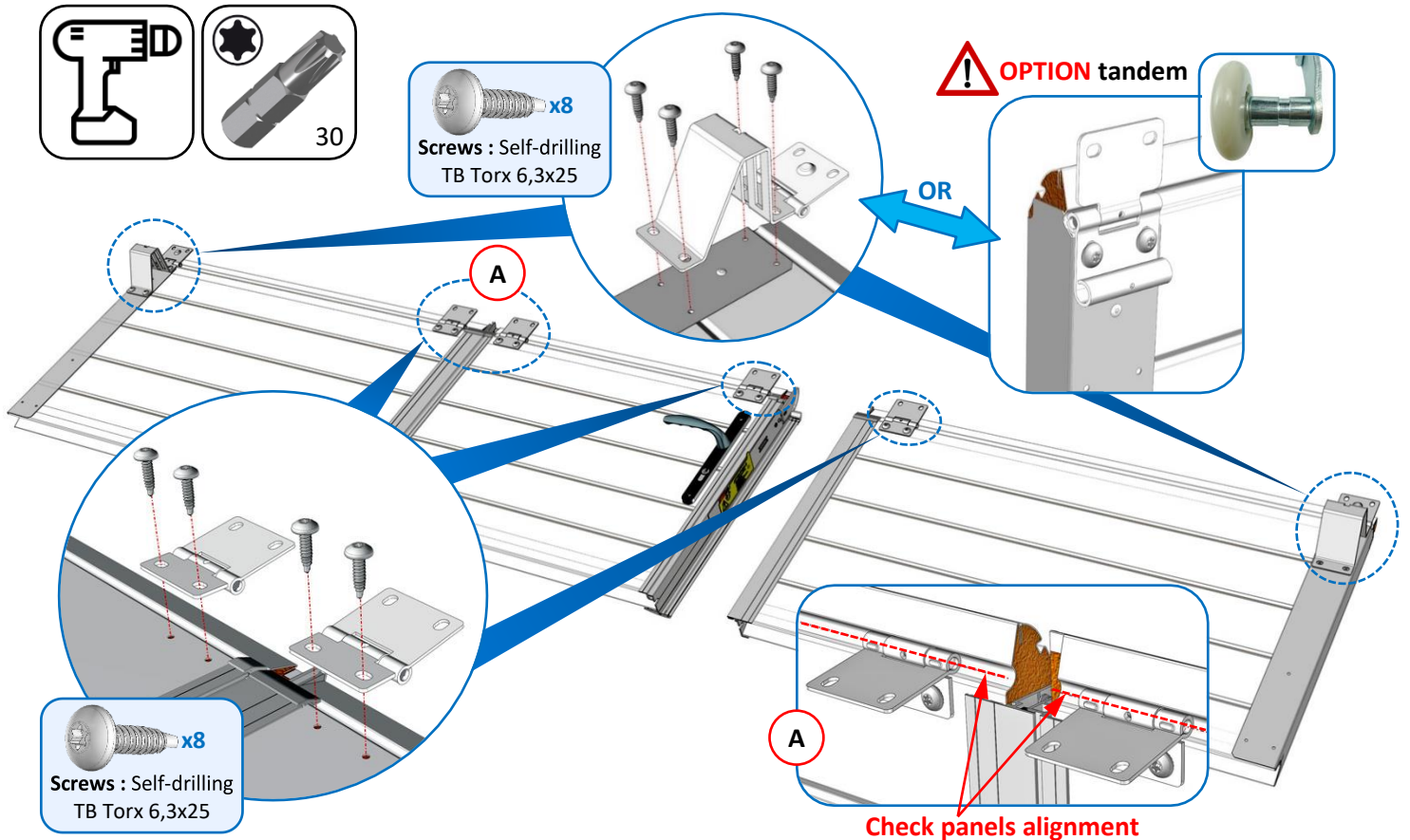
**Identifying the opening direction**



### Bottom panel

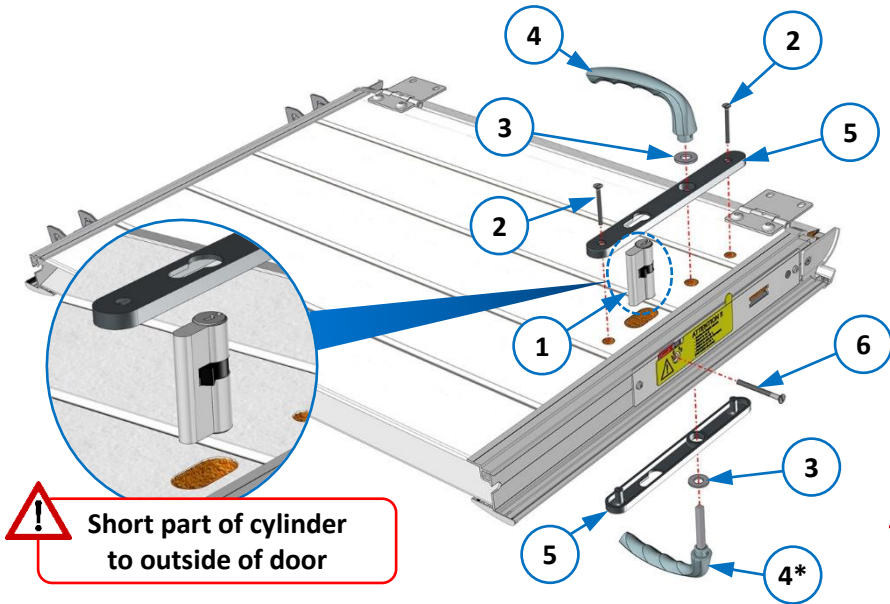


### Intermediate panel(s)



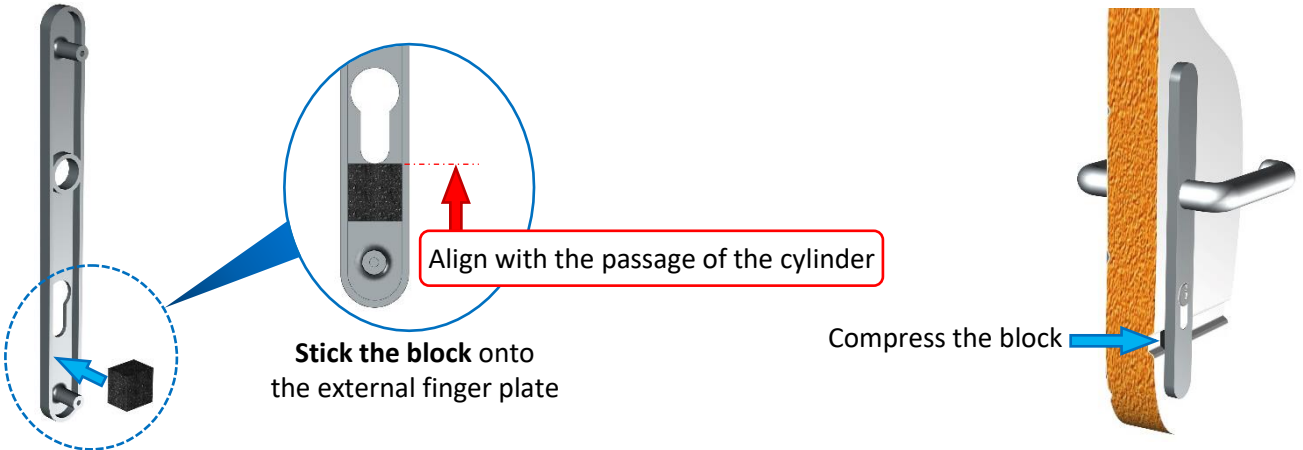


**Assembling the handle and cylinder on intermediate panel no. 1 (recommended) :**



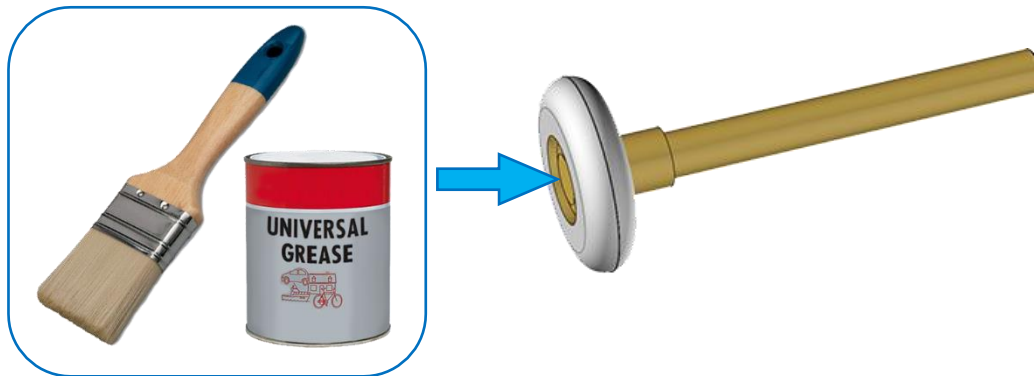
- ! Fix the finger plates screws on the inside of the door.**
1. Bushing
  2. Flat TF screws M4x50 (x2)
  3. Shimming washer (x2)
  4. Handle (x2)
  5. Finger plate (x2)
  6. Screws M5x75 (adjust if necessary)
- ! If OH ≤ 130 mm, assemble the reduced handle 4\* on the outside.**

**Specific case : Single-grooved panel**



# Mounting of the panels

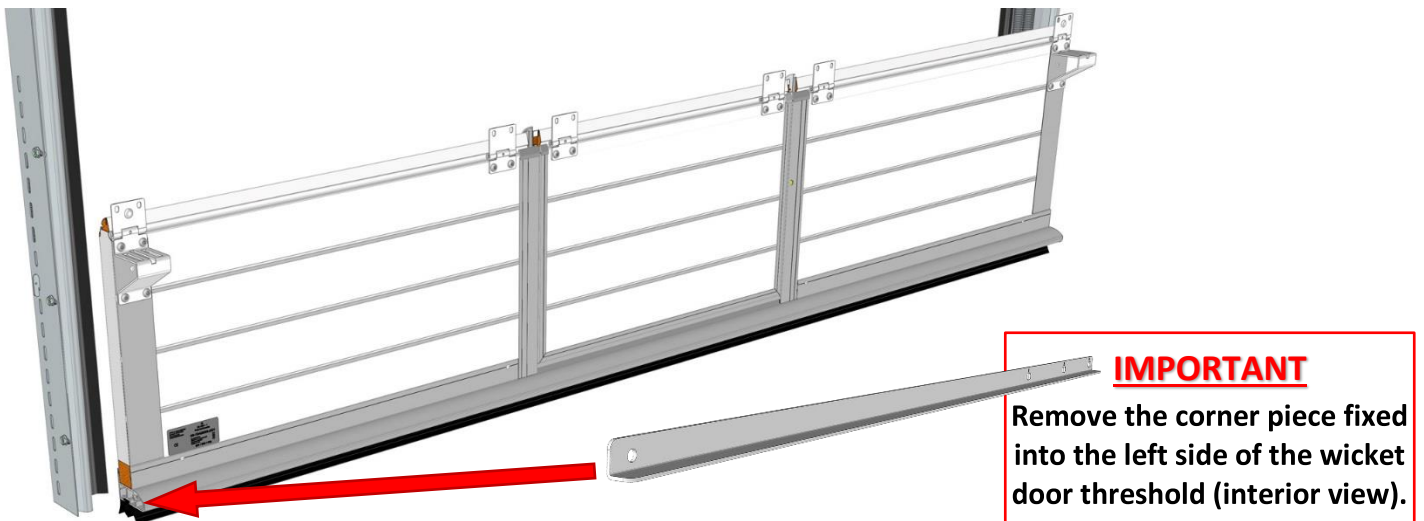
## Grease all roller shafts



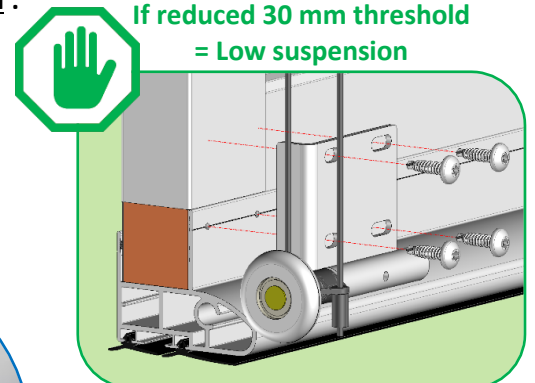
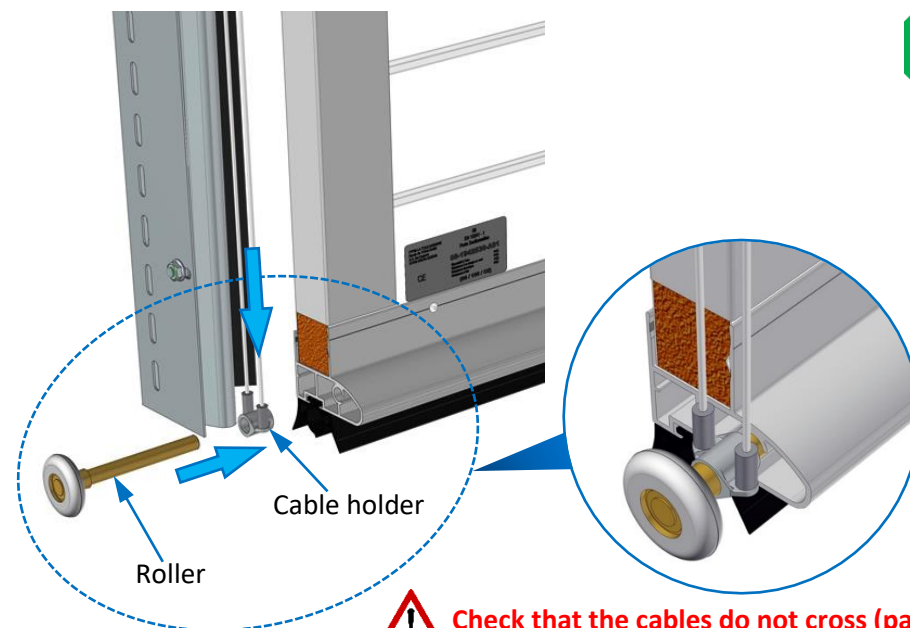
## Bottom panel installation illustrated with standard 60 mm threshold

Specific informations, if reduced 30 mm threshold

Position the panel in front of the rails :

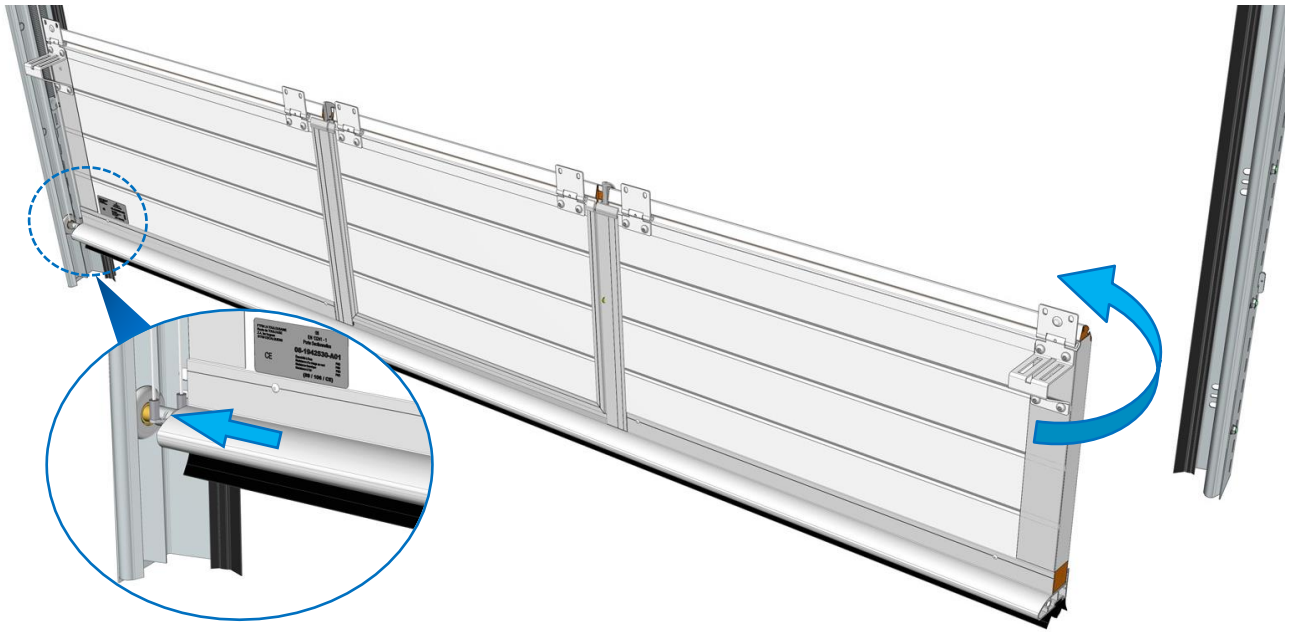


Insert the « cable holder » and « roller » in the LEFT side of the threshold :

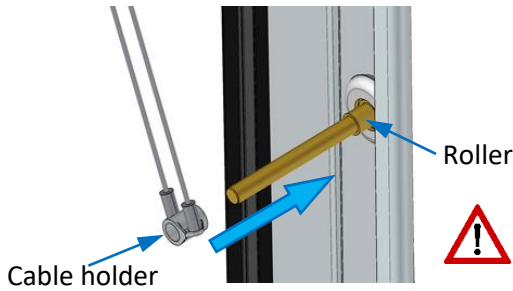


Check that the cables do not cross (parallel cables).

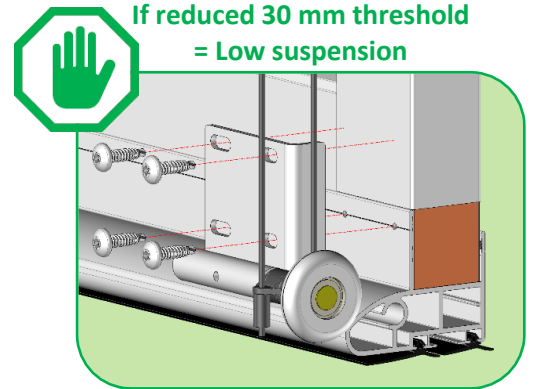
**Insert the « roller/cable holder assembly » in the LEFT vertical rail :**



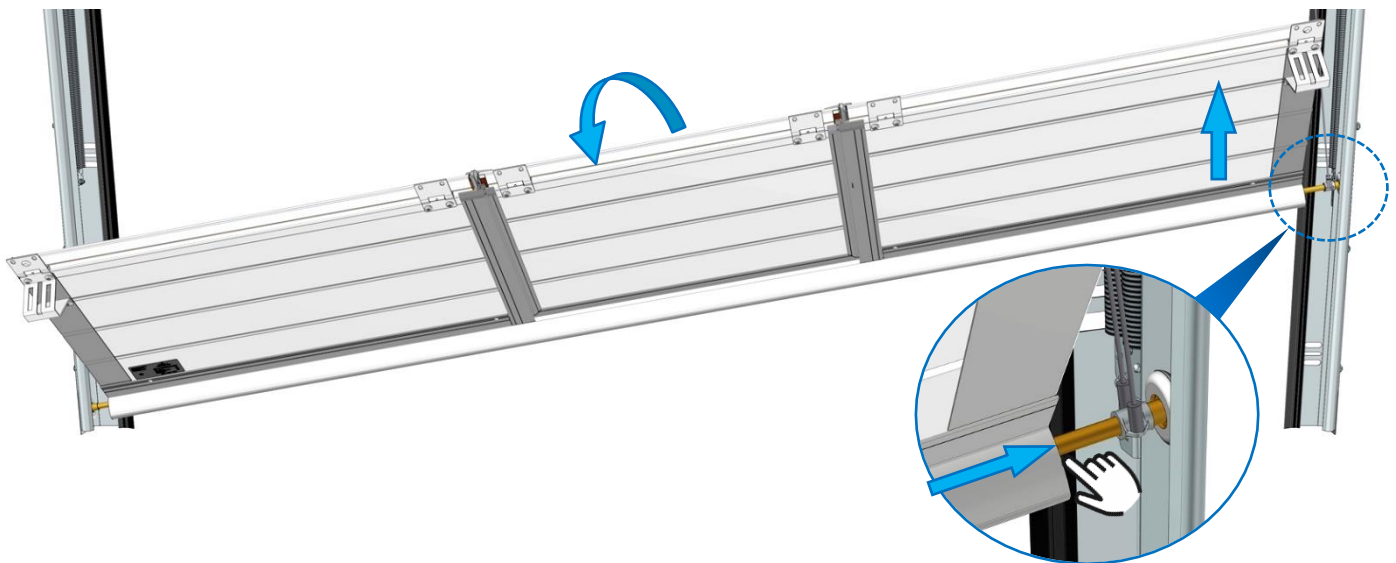
**Insert the « roller » and « cable holder » in the RIGHT vertical rail :**



**Check that the cables do not cross (parallel cables).**



**Insert the « roller/cable holder assembly » in the threshold :**



**When mounting each panel :**  
**Do not jam cables between panels and rails.**



**Insert shims and finalize the guides :**

**OPTION tandem**

**Remove the transport strap**

**Center the panel in the bay**

**Center the shim on the wicket door**

**To install the bottom panel at the correct level, place shims (not supplied) high enough under the threshold to avoid flattening the bottom seal when assembling the panels.**

**Standard 60 mm threshold = Shim height 40 mm**

**If reduced 30 mm threshold = Shim height 10 mm**

**Please note :** If the wicket door is off center, add 1 shim under the longest side.

**Screws : TRPC M8x15**  
**Nuts : H M8 (with notched base)**

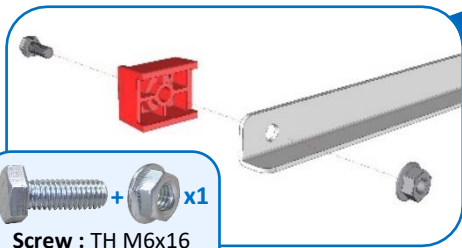
**x4**

**OR**

**OR**

**Insert shims and check the wicket door :**

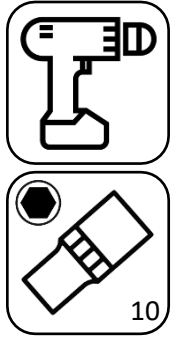
1- Prepare the control jig :



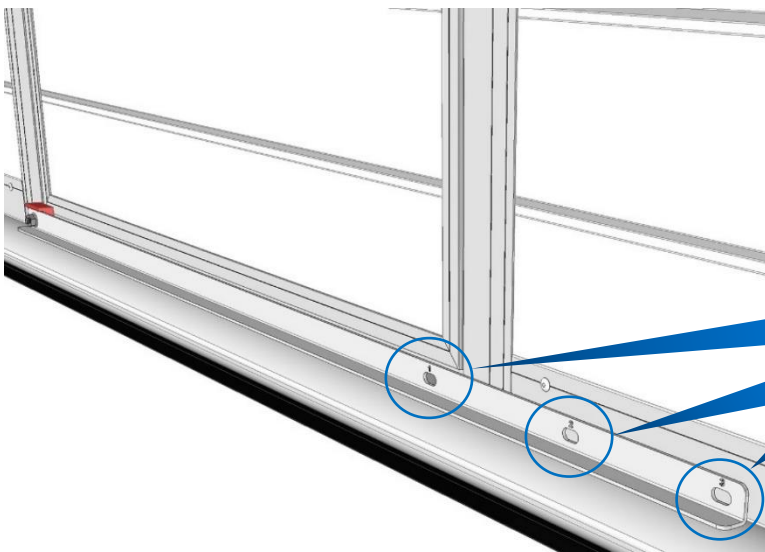
Screw : TH M6x16  
Nut : H M6  
(with notched base)

**Fixed side :** Assemble the stop and fully tighten the nut.

**IMPORTANT**  
The corner piece is fixed into the left side of the wicket door threshold (interior view).



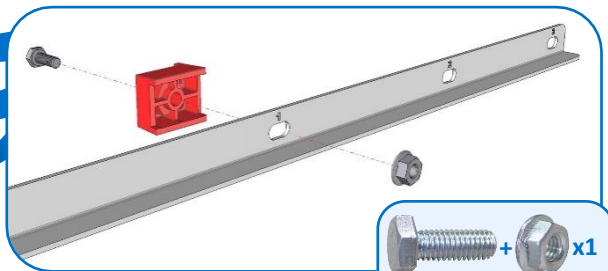
2- Position the jig on the threshold of the wicket door :



**Mobile side :**

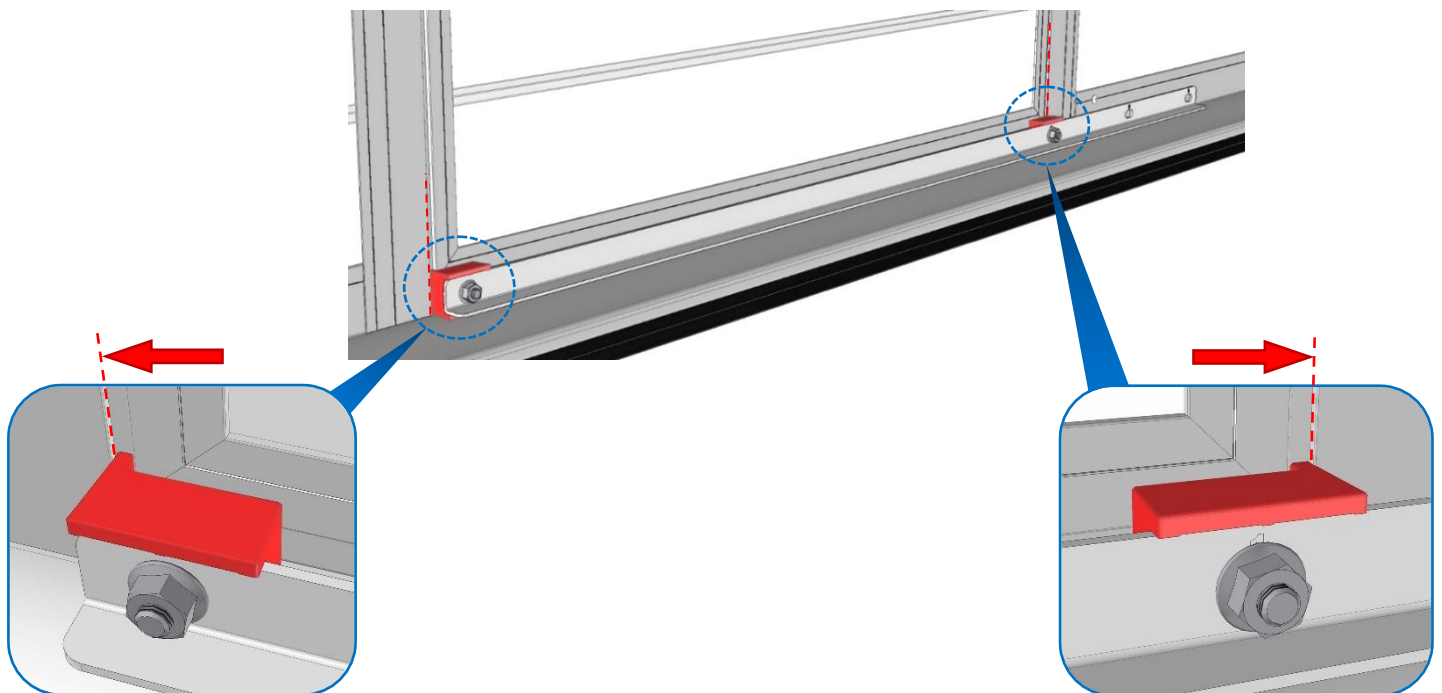
Position the stop on the corner piece according to the wicket door width ; assemble it and fully tighten the nut.

Wicket door width	Position of the stop
L (659 mm)	1
XL (789 mm)	2
XXL (900 mm)	3



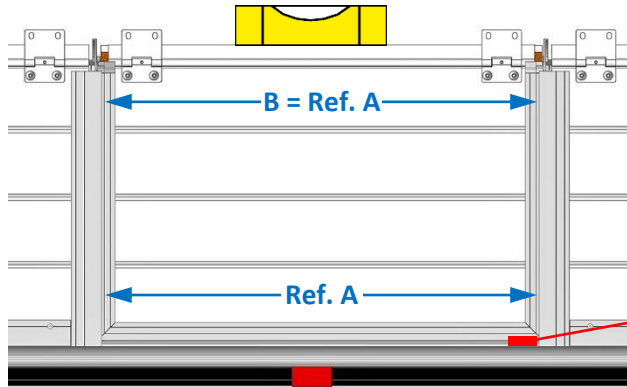
Screw : TH M6x16  
Nut : H M6  
(with notched base)

**Please note :** The stops must but up against the frame :

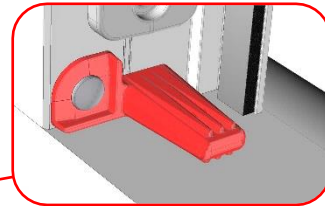


3- Use the jig to check the distance between the frames :

 Check top and bottom profile spacing

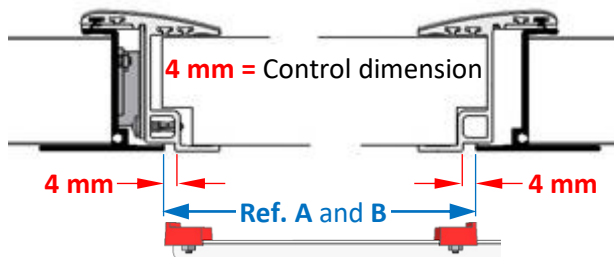


8 mm shim,  
present on lock side

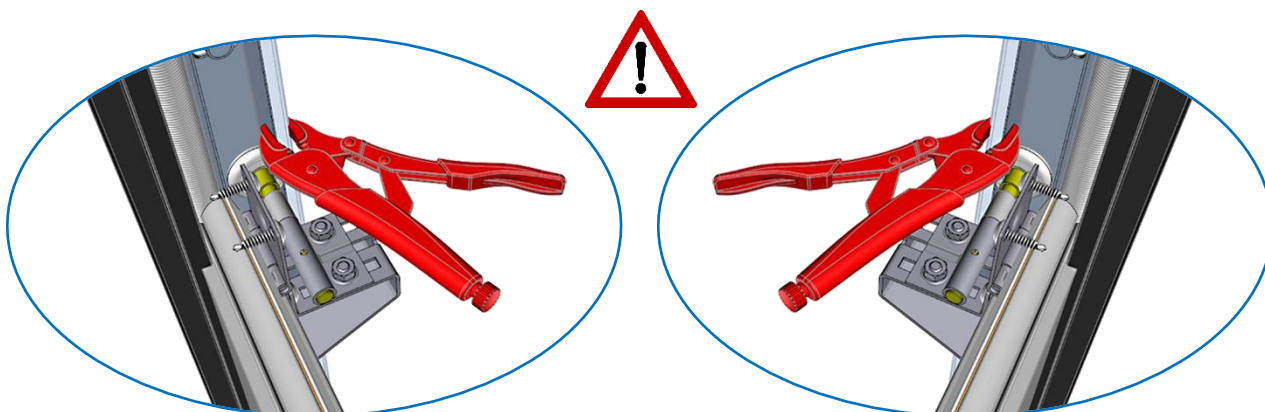


Do not remove

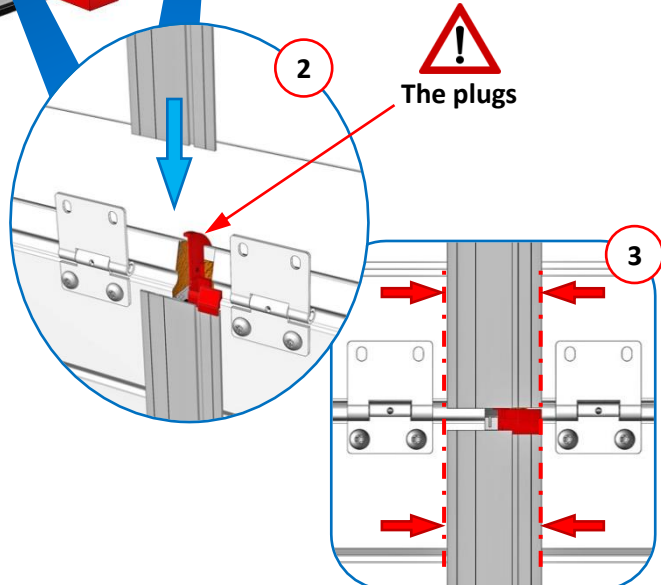
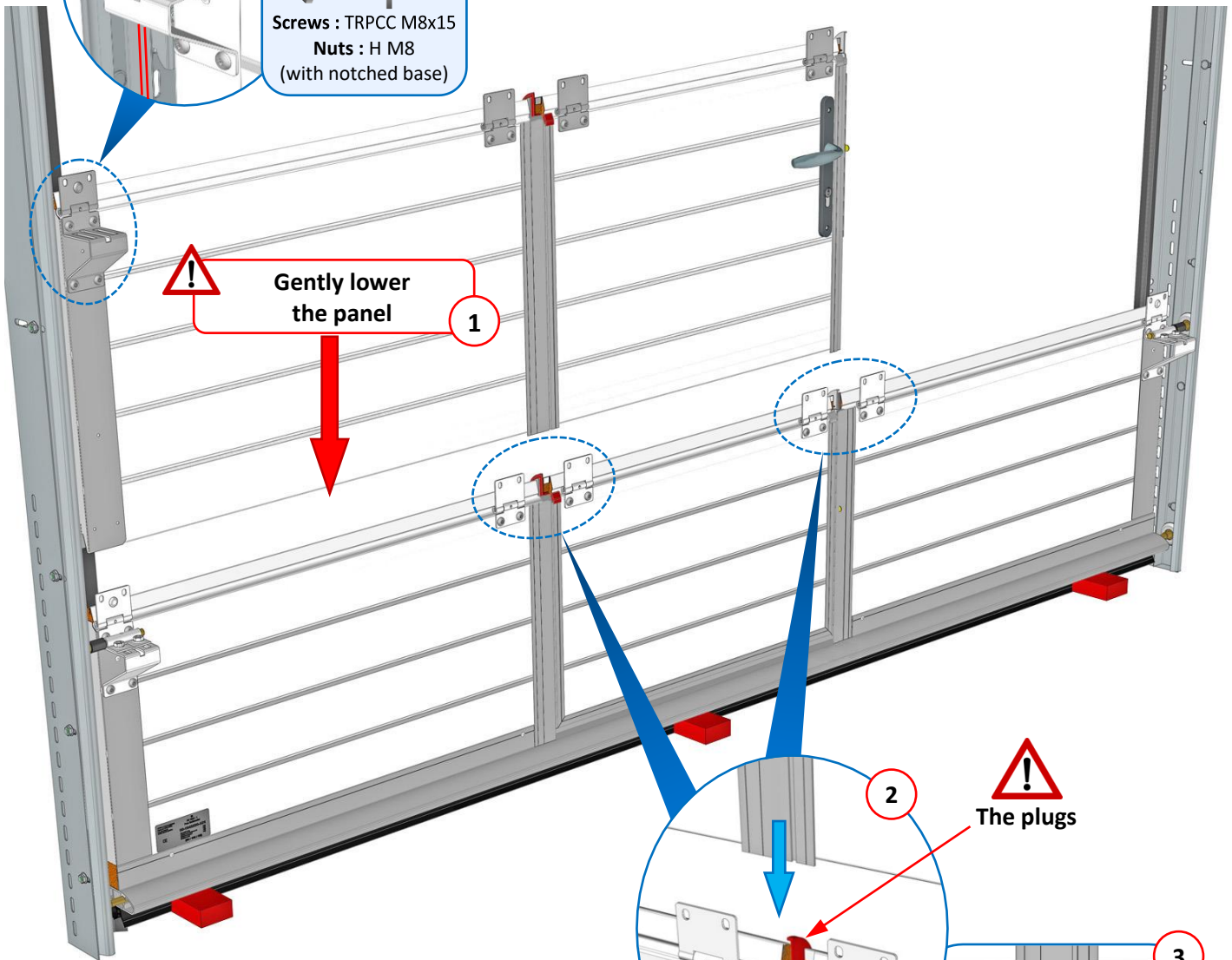
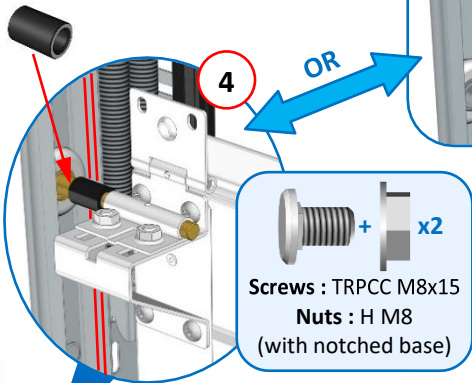
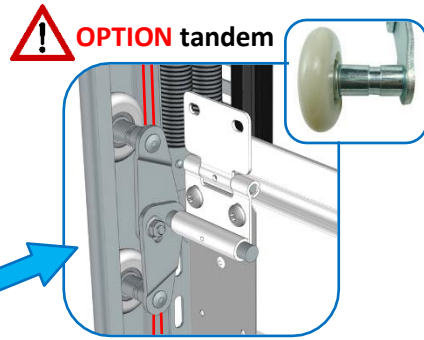
 For B = Reference A, adjust the thickness of the shim.

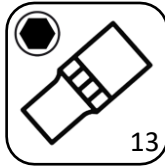
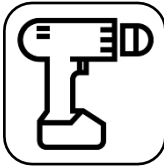


### Secure mounting of the panels on both sides



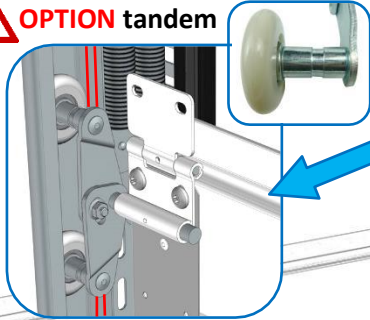
# Installing intermediate panel 1



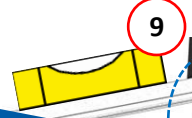
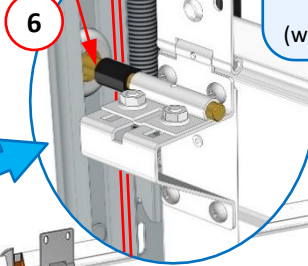


Screws : TRPCC M8x15  
Nuts : H M8  
(with notched base)

**! OPTION tandem**



OR



**! If the wicket door is off center (250 mm), press firmly on the panel before fixing the hinges.**

Check they are parallel

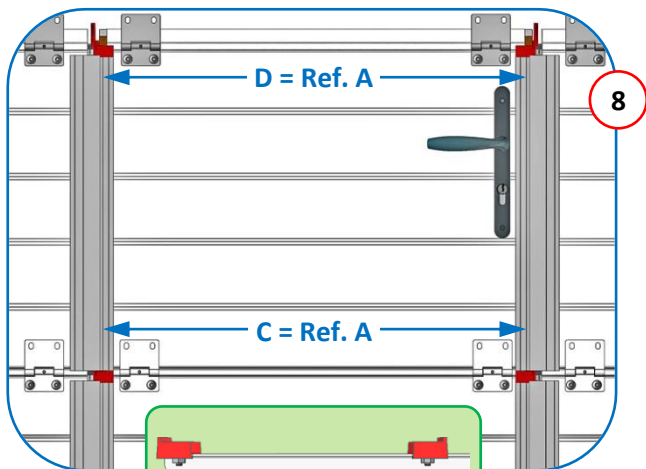
(panels resting on hinge knuckles)

Ref. A

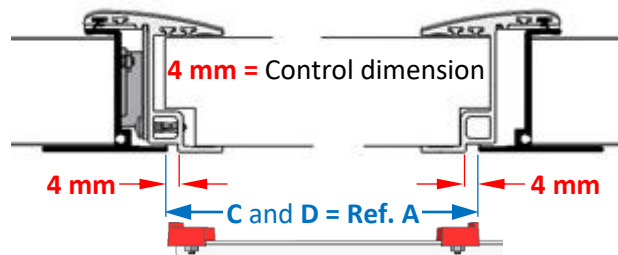
Align the profiles

Screws : Self-drilling TB Torx 6,3x25

If 8 and 9 are OK



**! Check top and bottom profile spacing**



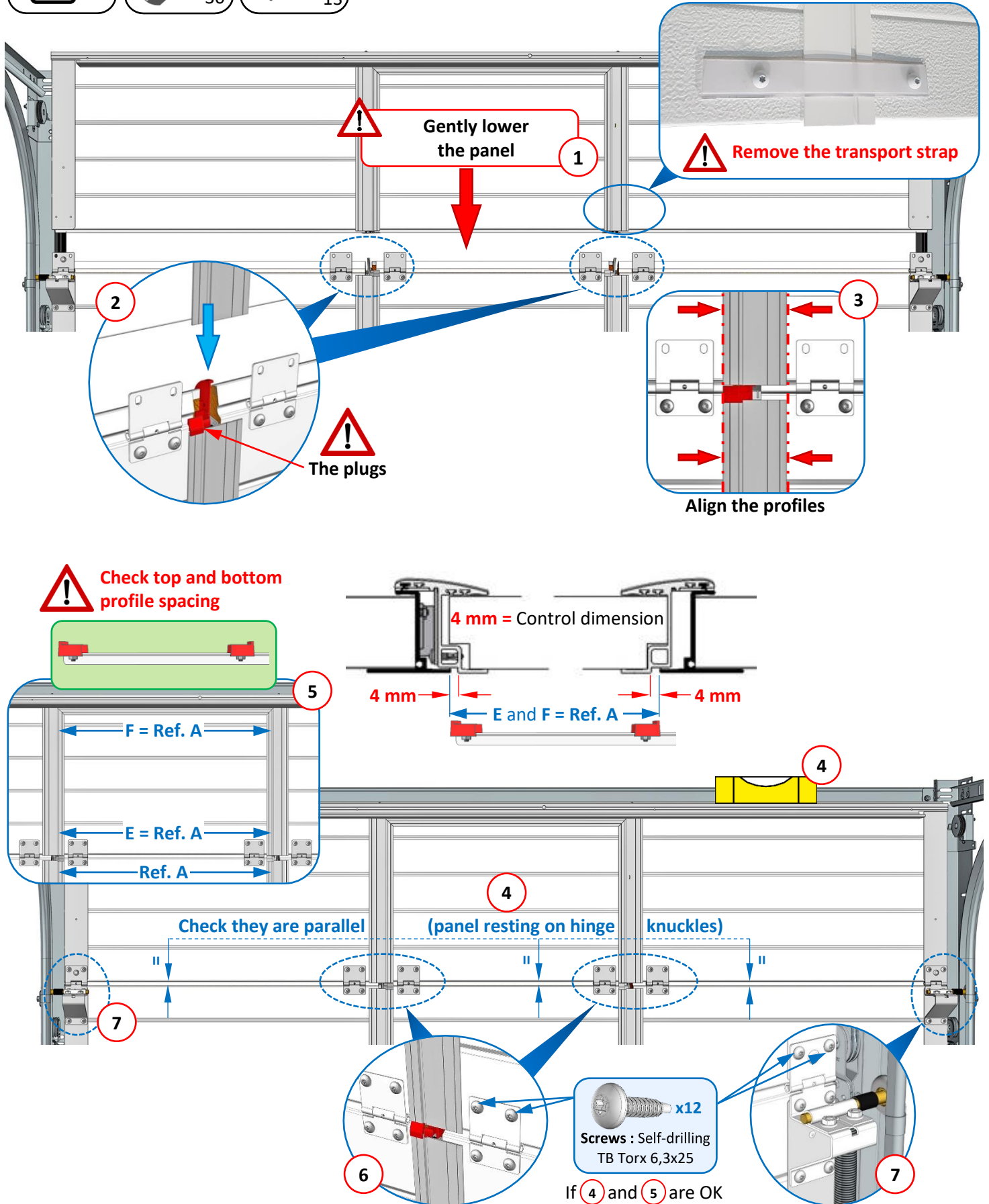
**Please note :** If installing intermediate panel 2, follow the same procedure as for intermediate panel 1.



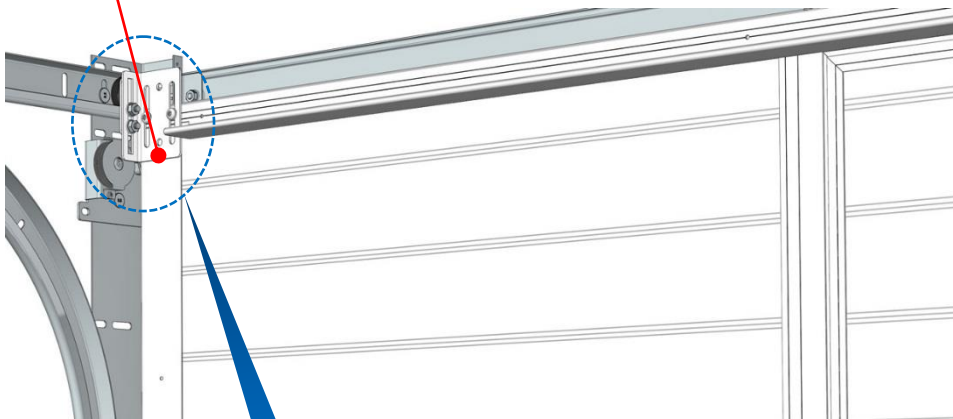
## Installing the top panel



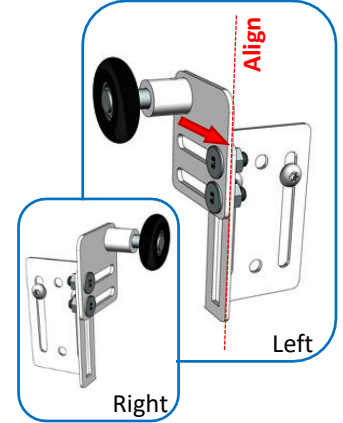
If the wicket door opener is less than 50 mm from the header, adjust the door closure before assembling the wicket door top panel. Refer to the « WICKET DOOR FINALIZATION | Door closure adjustment » chapter.



**IMPORTANT** : Remove the transport rivet from the edged column, so that the top roller support rests on a flat surface (identical process on opposite side).



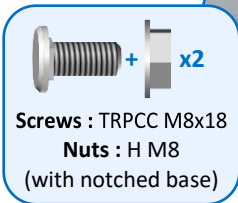
**Assemble the adjustable rollers**



**MOTORISED door**

**MANUAL door**

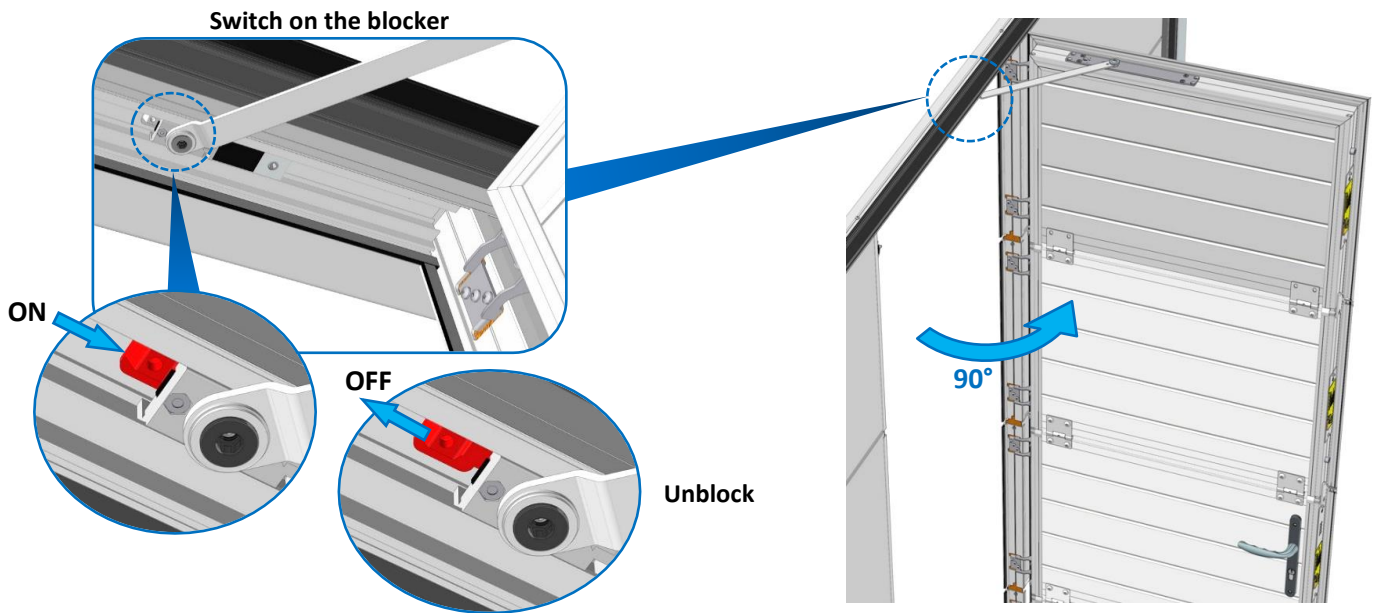
OR



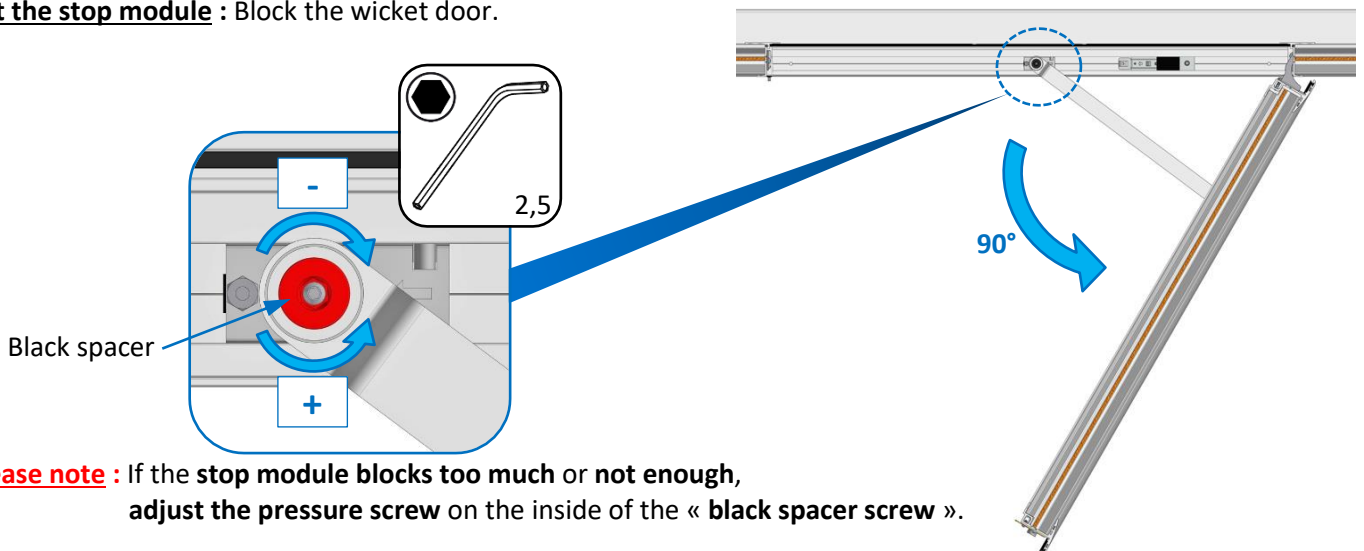
Repeat the process on the opposite side.

# Wicket door finalization

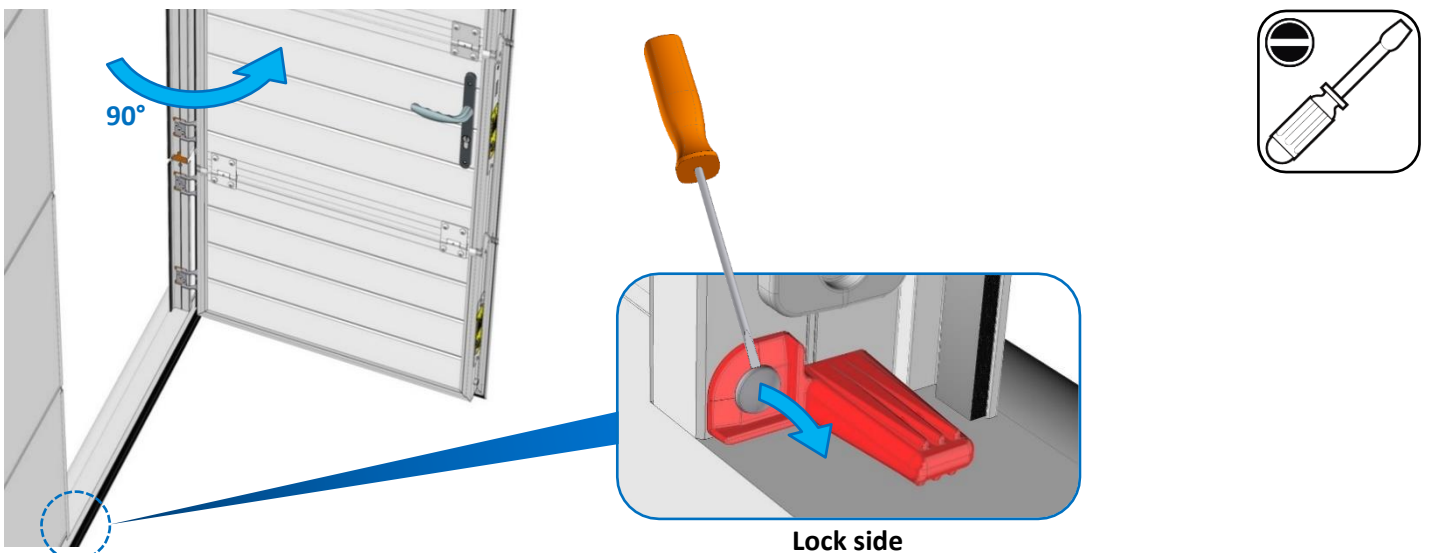
## Adjusting the stop module



**Test the stop module :** Block the wicket door.

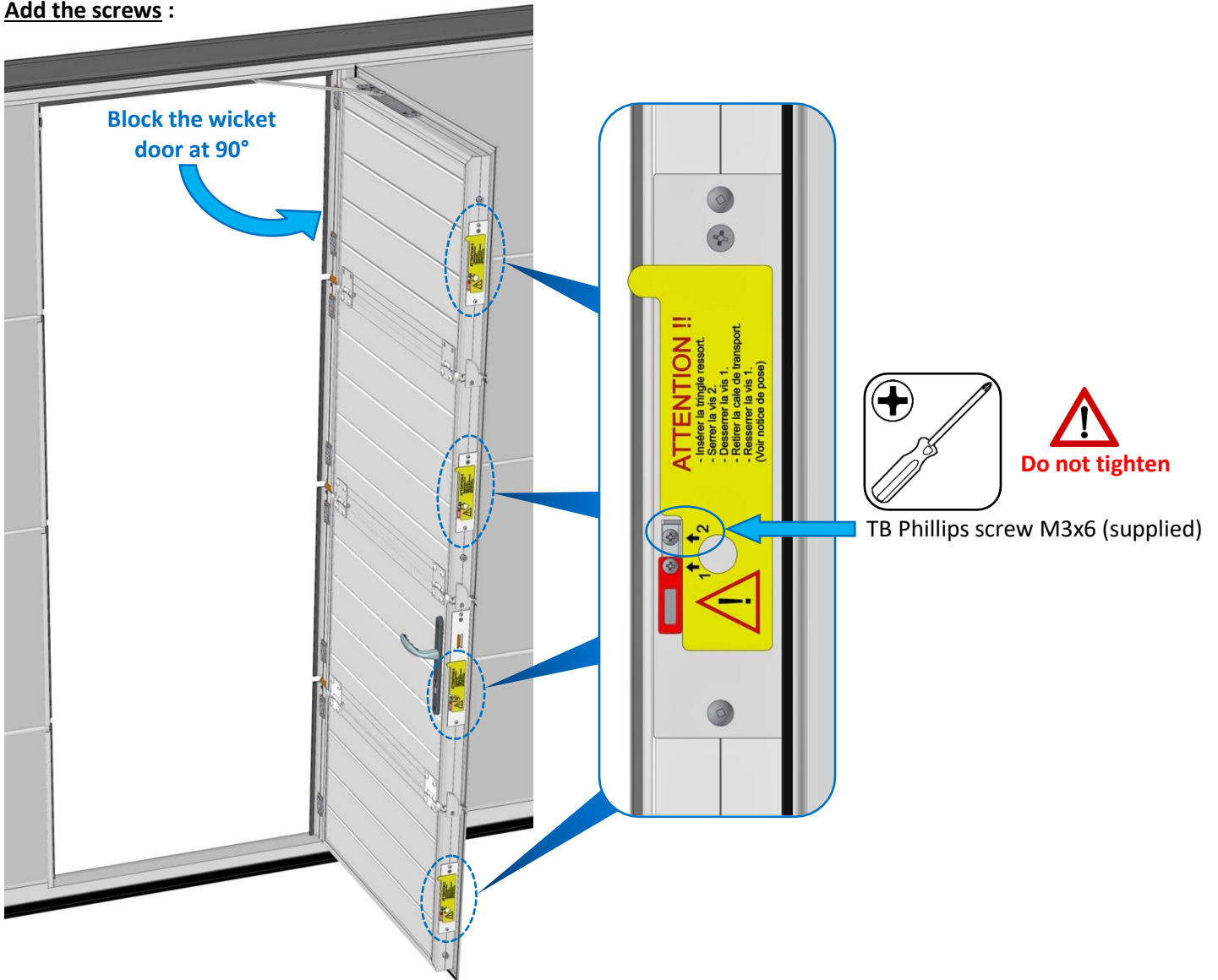


## Remove the shim

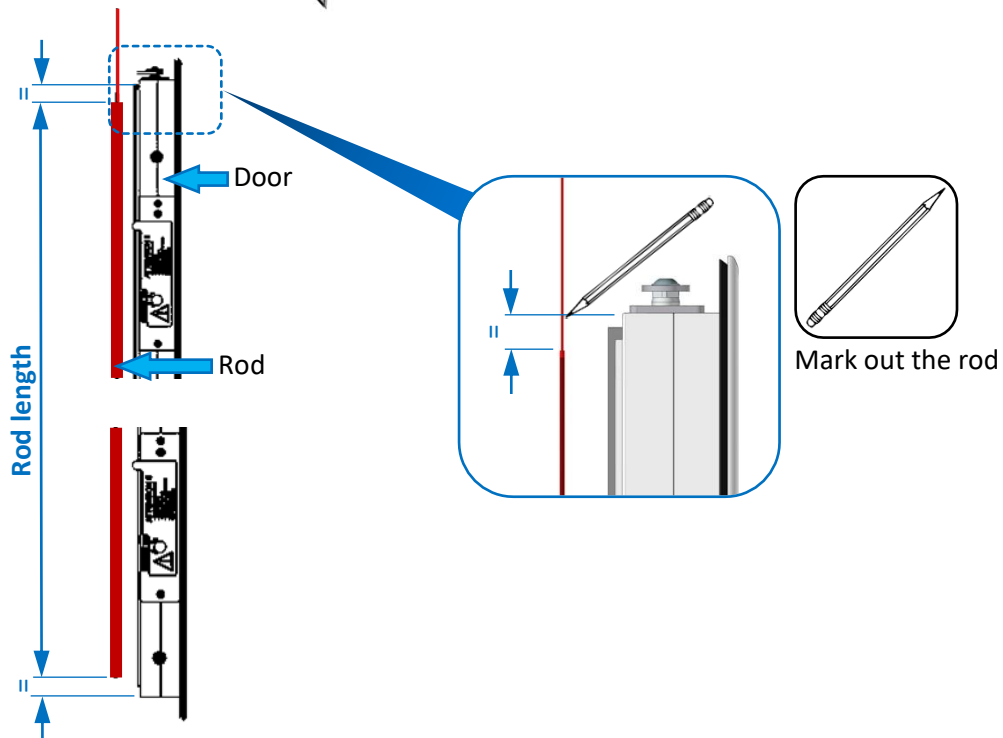


## Installation of the rod

**Add the screws :**

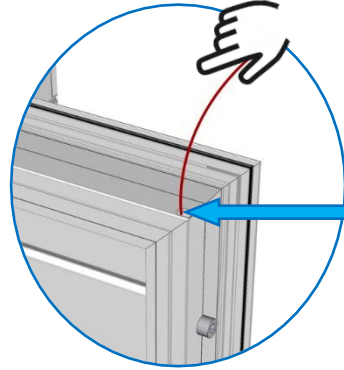
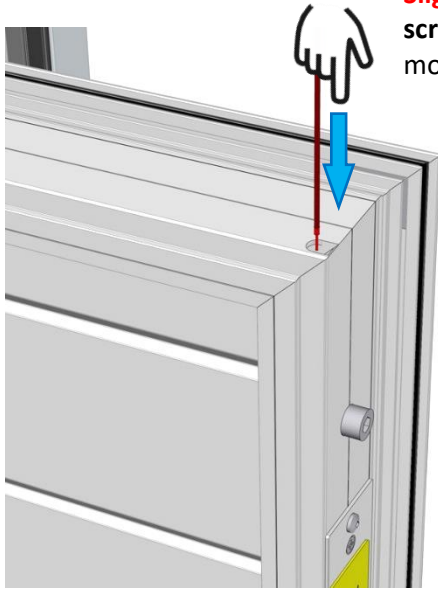
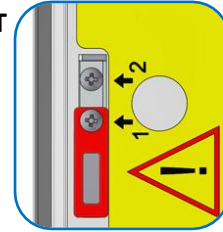


**Identify the rod :**



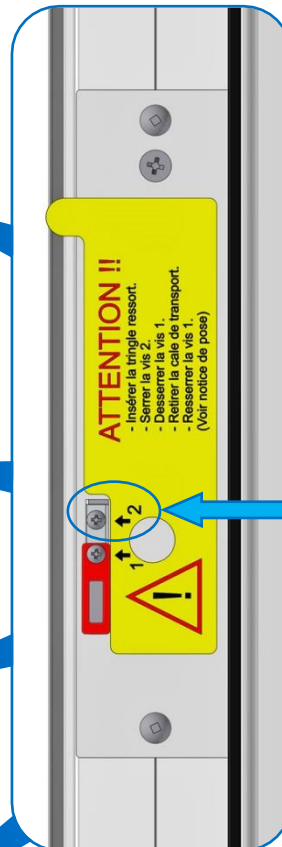
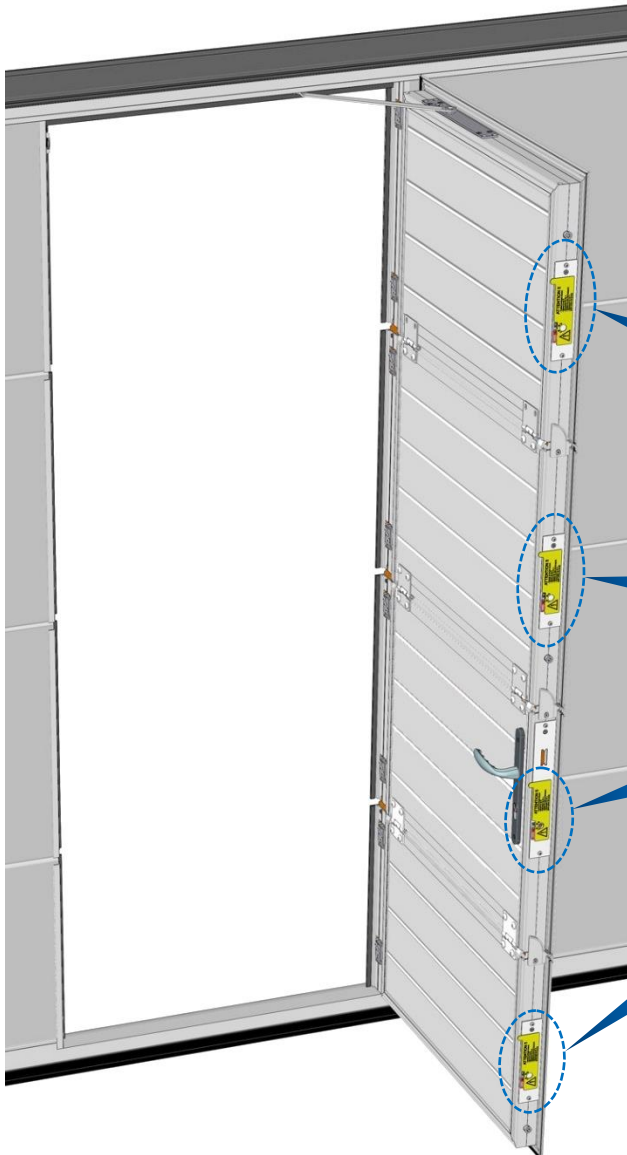
**Insert the rod :**

**Please note :** IF ROUGH SPOT  
**Slightly loosen** screw 2 or  
screw 1 to insert the rod  
more easily.



Insert up to the mark

**Tighten the screws :**



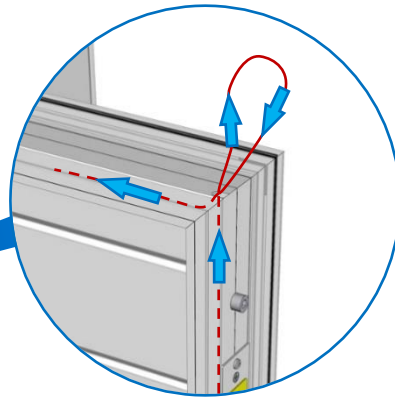
Firmly tighten the screws



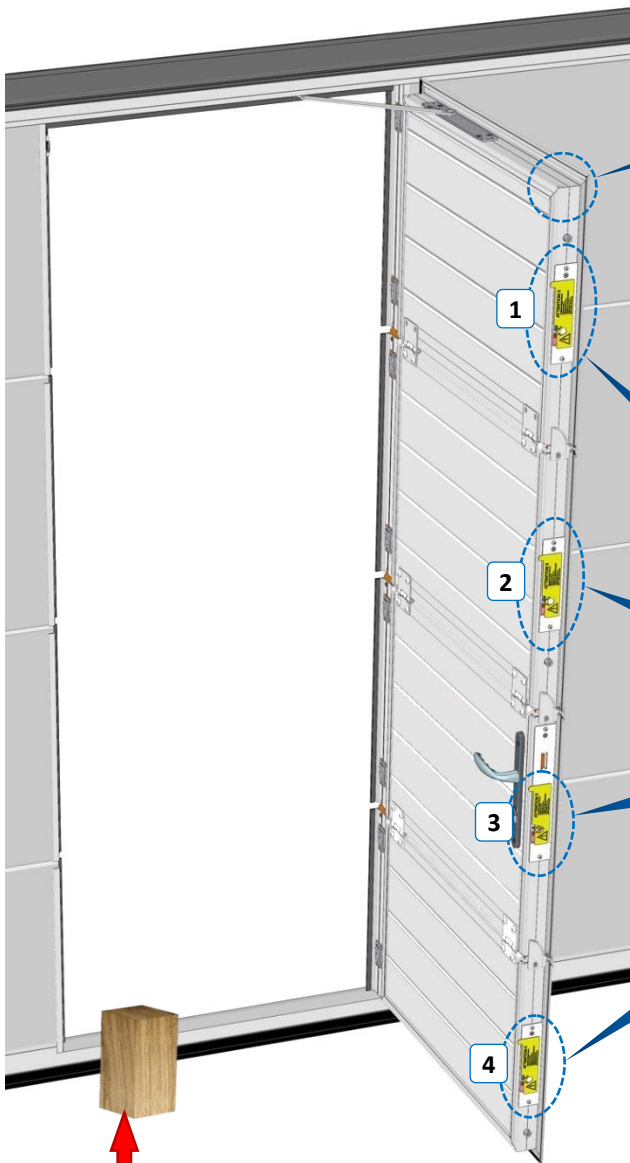
Block the rod



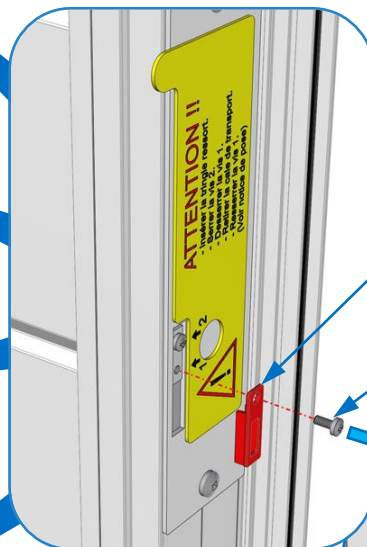
Reinsert the cable



**IMPORTANT :** For points 1, 2, 3 and 4, carry out steps A and B, for each shim.



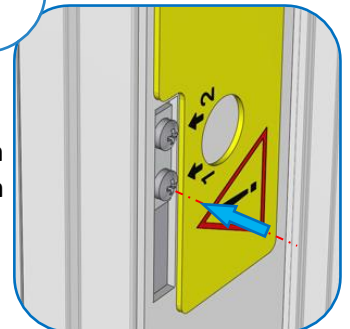
**A - Remove the locking shim**



Locking shim

TB Phillips screw M3x6

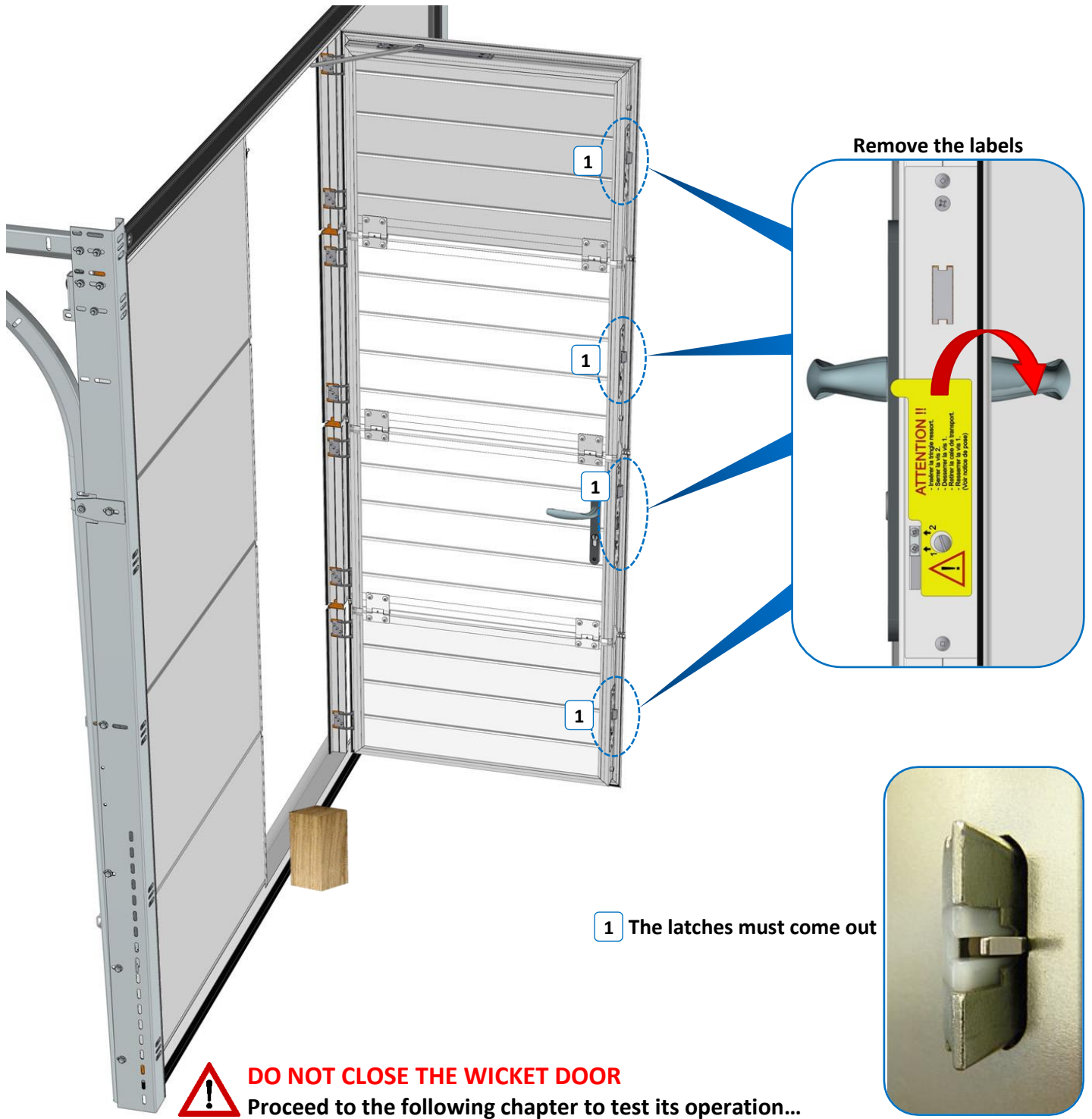
**B - Screw back in and fully tighten**



**IMPORTANT :** Place an obstacle in the wicket door path, to prevent its closure.

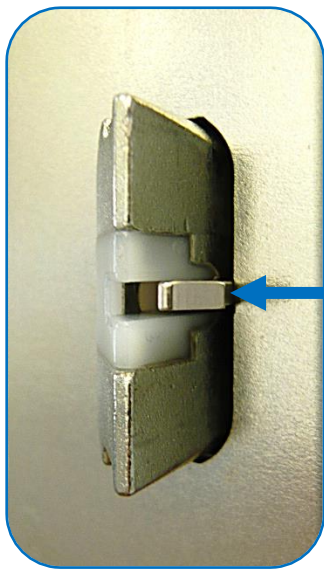
Leave it there until completing the « box operation tests ».

## Activating the lock



## Boxes operation test

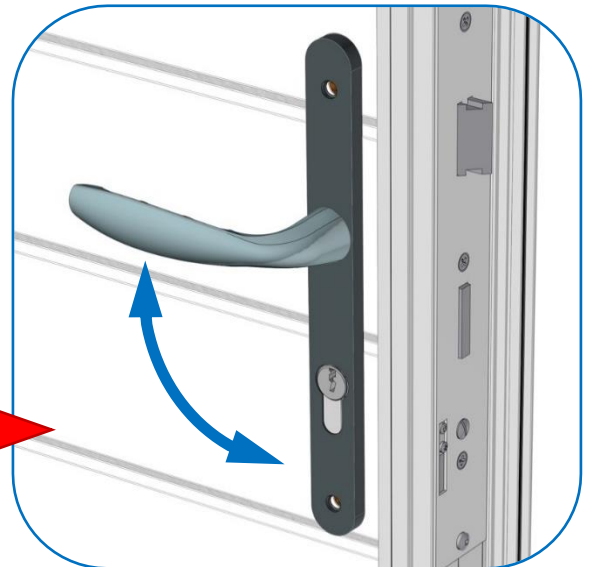
- **Test 1** : For all boxes, press the release mechanism, the latches must come out at **POSITION 2**.



Position 1



Position 2



Move the handle

### **IMPORTANT :**

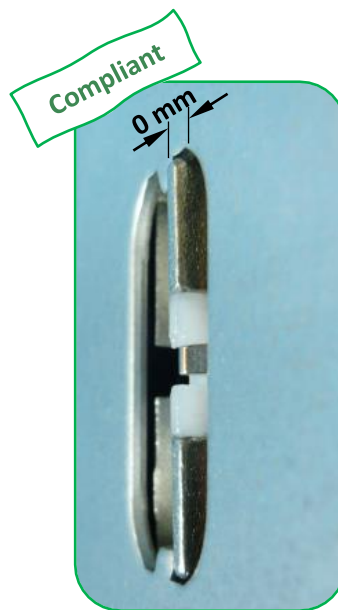
All the latches must go in and come out simultaneously and then return to POSITION 1.

Repeat the test 2 to 3 times...

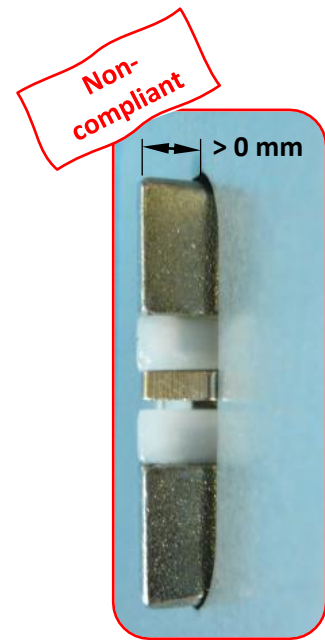
- **Test 2** :



Move the handle and hold it down



The latches must be flush



**!** If latch > 0 mm, go to « Tip test 2 »



If the latches are not all functioning correctly,  
do not shut the wicket door, call Customer Services.

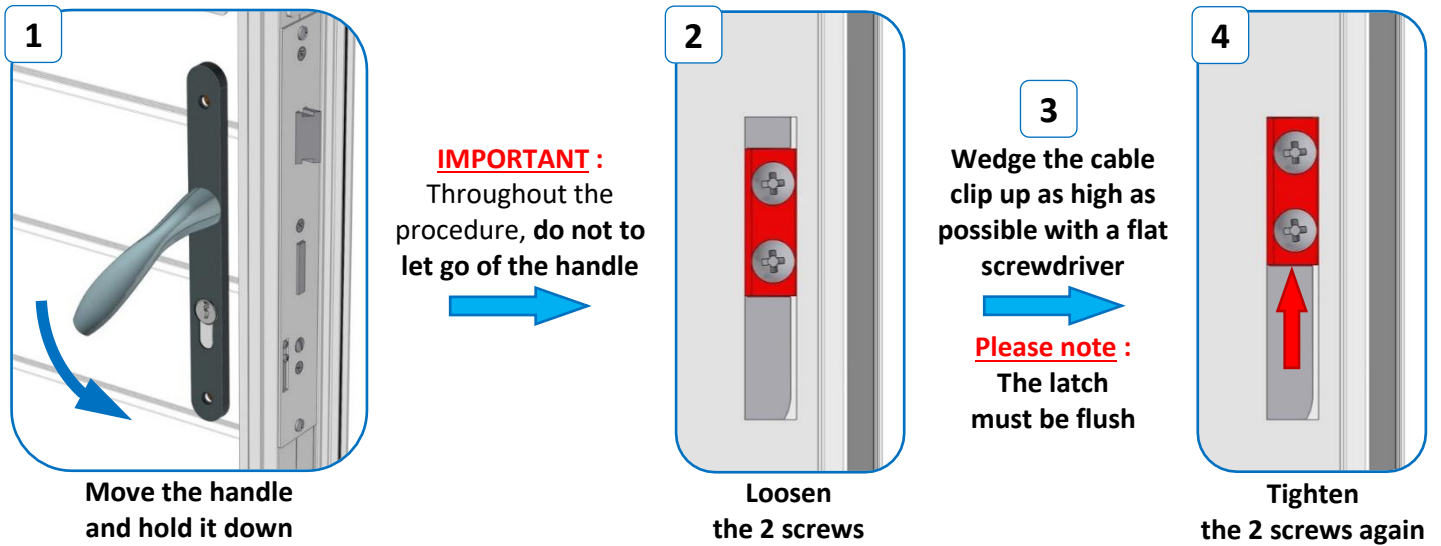


**IF YOU SHUT THE WICKET DOOR, IT WILL BE IMPOSSIBLE TO OPEN IT AGAIN.**



## Tip test 2

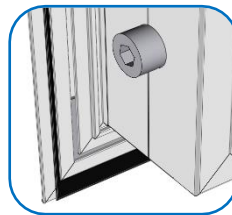
If one or all of the latches are not flush, follow the procedure below :



Before closing the wicket door, **check** that **the latches are flush** when holding the handle down.

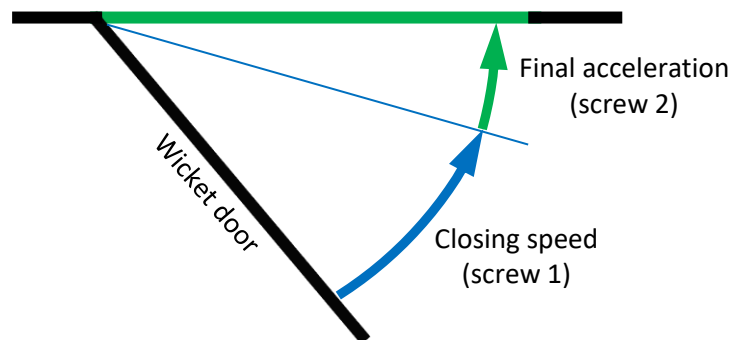
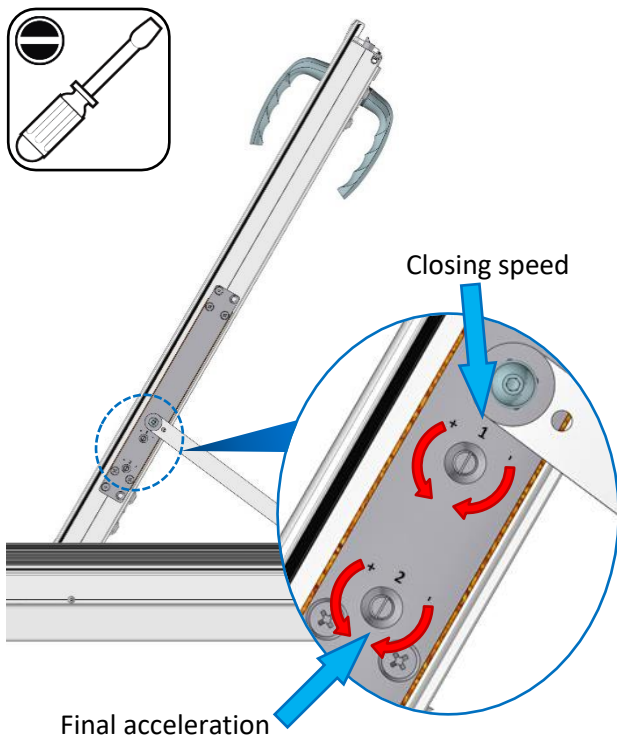
**Please note :** If the **wicket door becomes stuck** after closure, refer to the « **Solution** » chapter on the following page.

If necessary, **check** and **tighten** the centralizers again



## Adjusting the door closure

**Adjust the settings, if necessary :**



**Please note :** If there is not much space (wicket door/header) at the top, use the flat Allen key provided.



**Solution « if the lock is stuck »**

**⚠ Depending on the specific case, it may be necessary to cut the spring rod between the panels.**

**Identify the blocked part inside :**

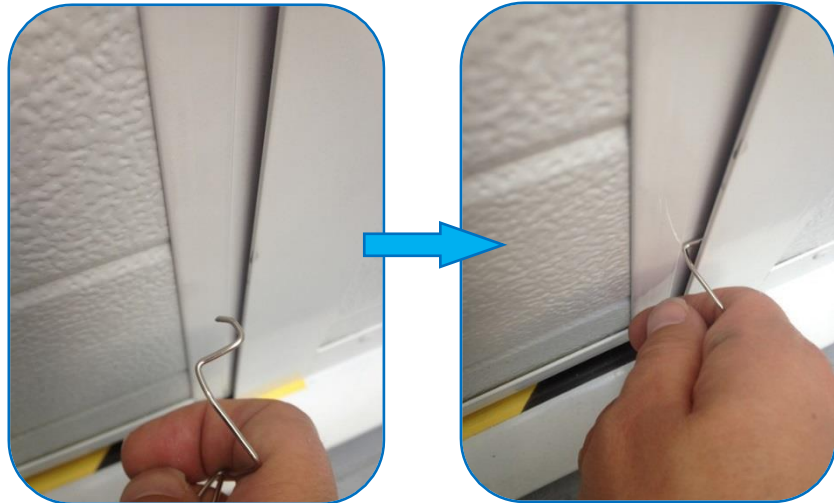
Lower the handle and gently push the door on each panel to identify the blocked area.

**Make the hook**



Actual size

**Slide the hook into the opening of the wicket door (lock side)**

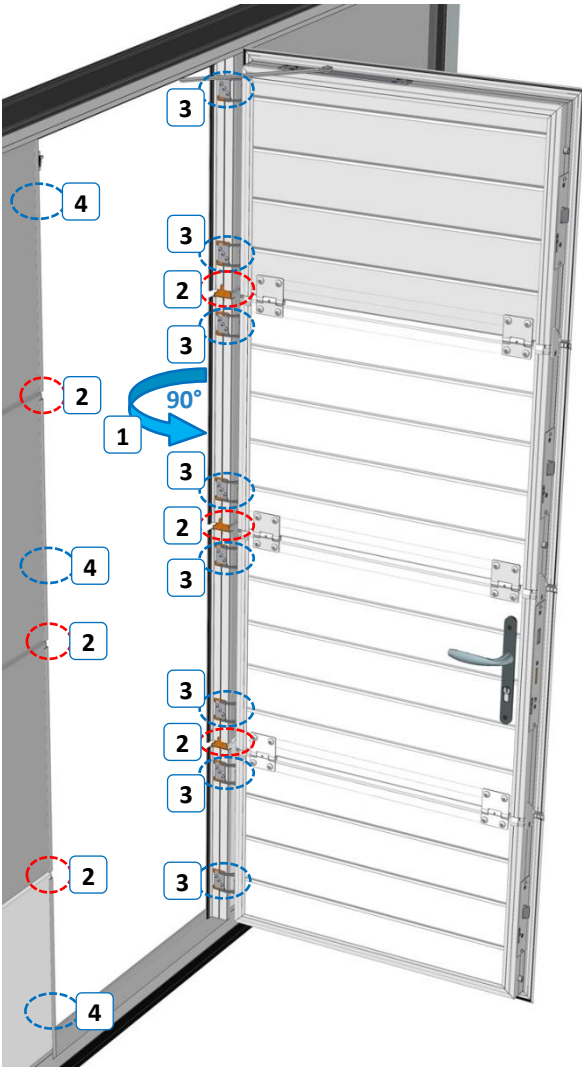


**Then carry out the steps below, to hook one of the locks while holding the handle down.**



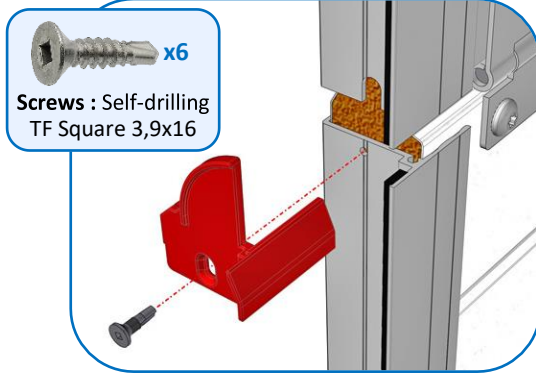
Once open, return to the « [Box operation test](#) » chapter and set the latches correctly by following the test steps.

## Finishes : Plugs, split hinges and strike plates



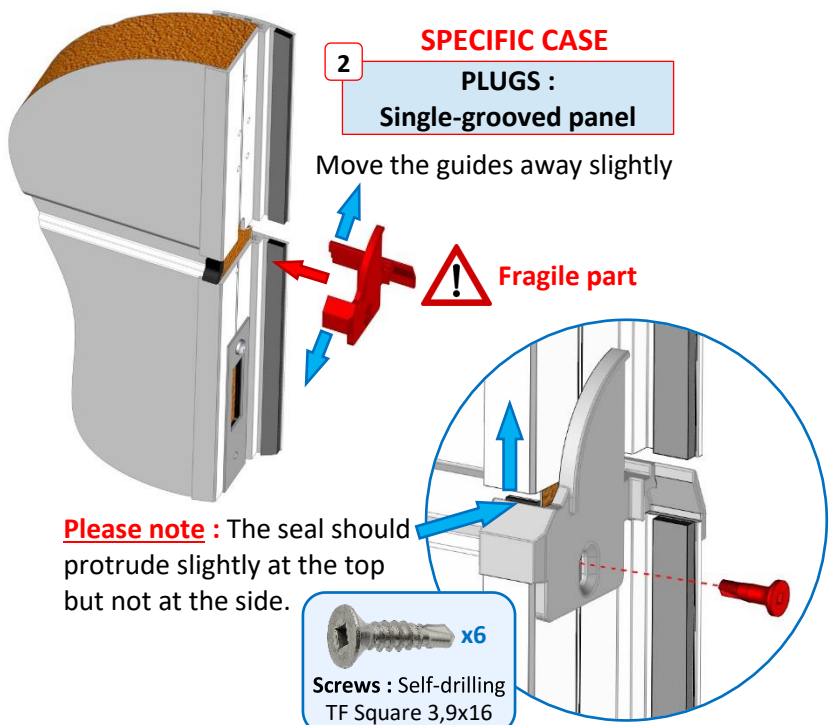
### 2 PLUGS

Assemble them on the frame profiles



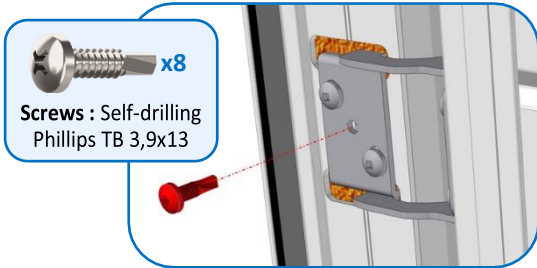
### 2 SPECIFIC CASE PLUGS : Single-grooved panel

Move the guides away slightly

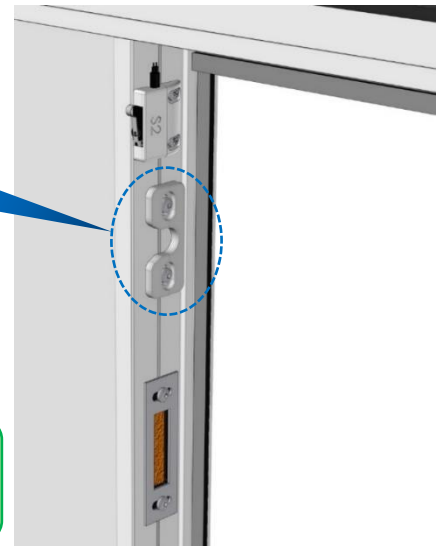
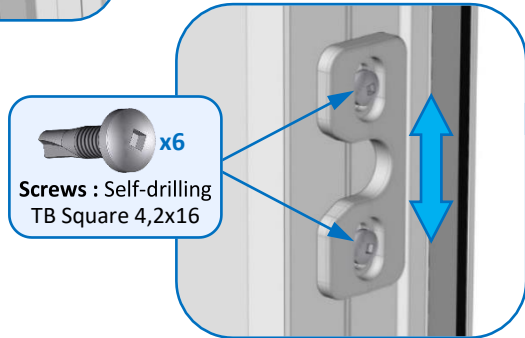


**Please note :** The seal should protrude slightly at the top but not at the side.

### 3 SPLIT HINGES



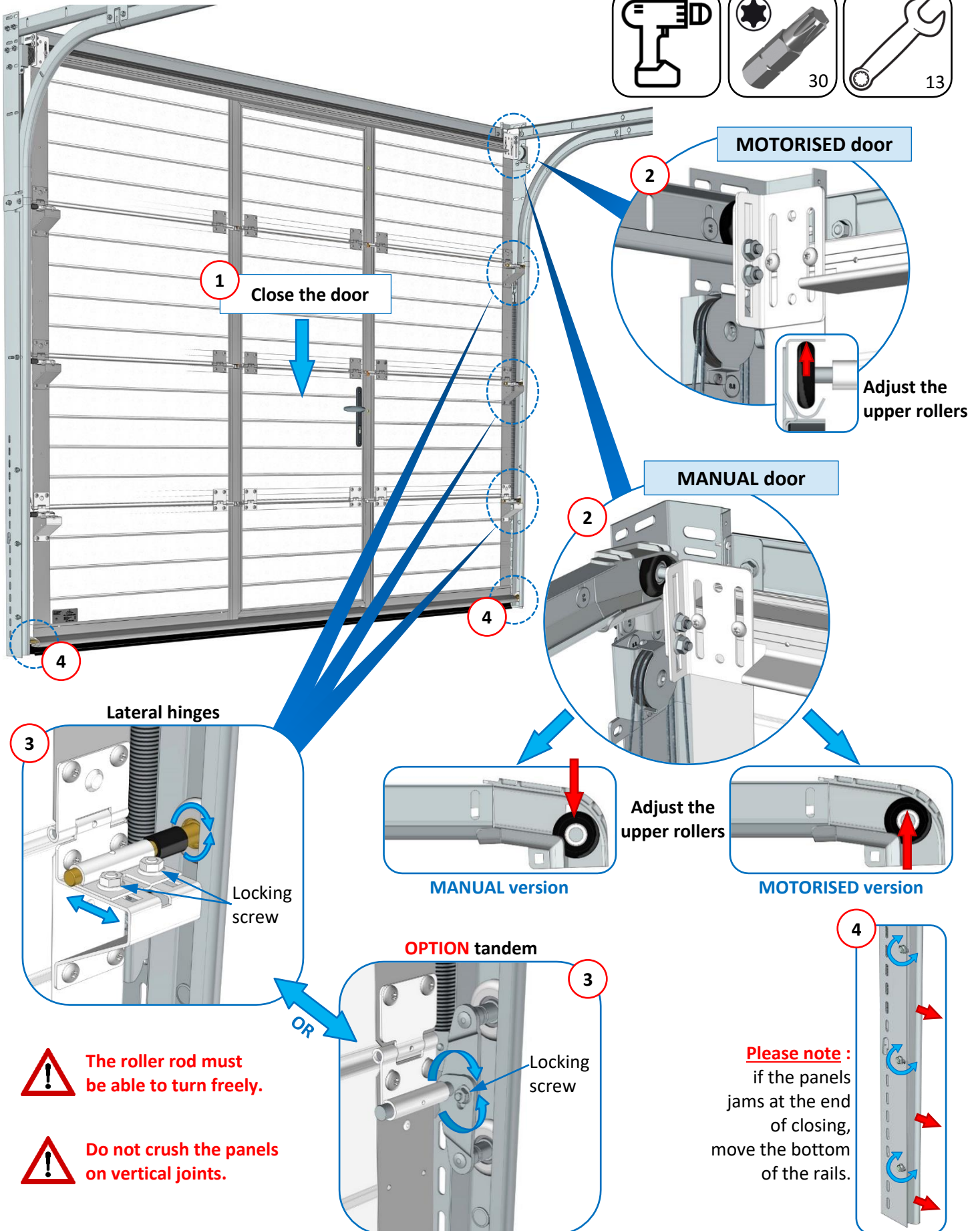
### 4 STRIKE PLATES



Tighten the screws so that the strike plates move slightly. Close and reopen the wicket door ; the strike plates will move into position. Fully tighten the screws.

# Finishes

## Adjusting the rollers



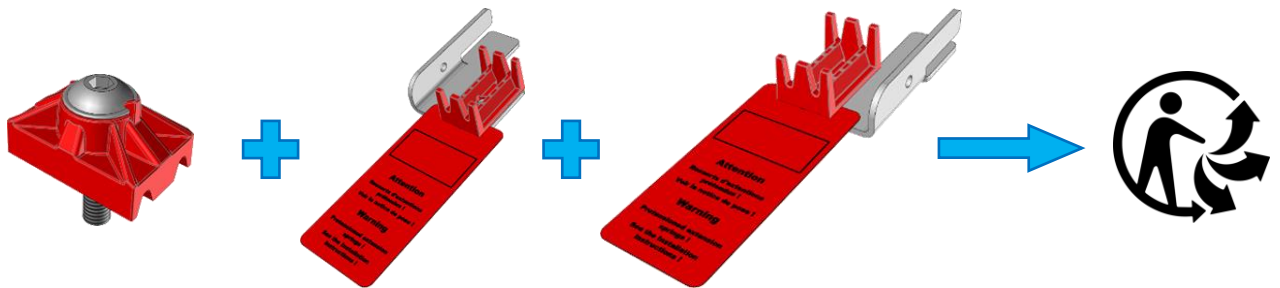
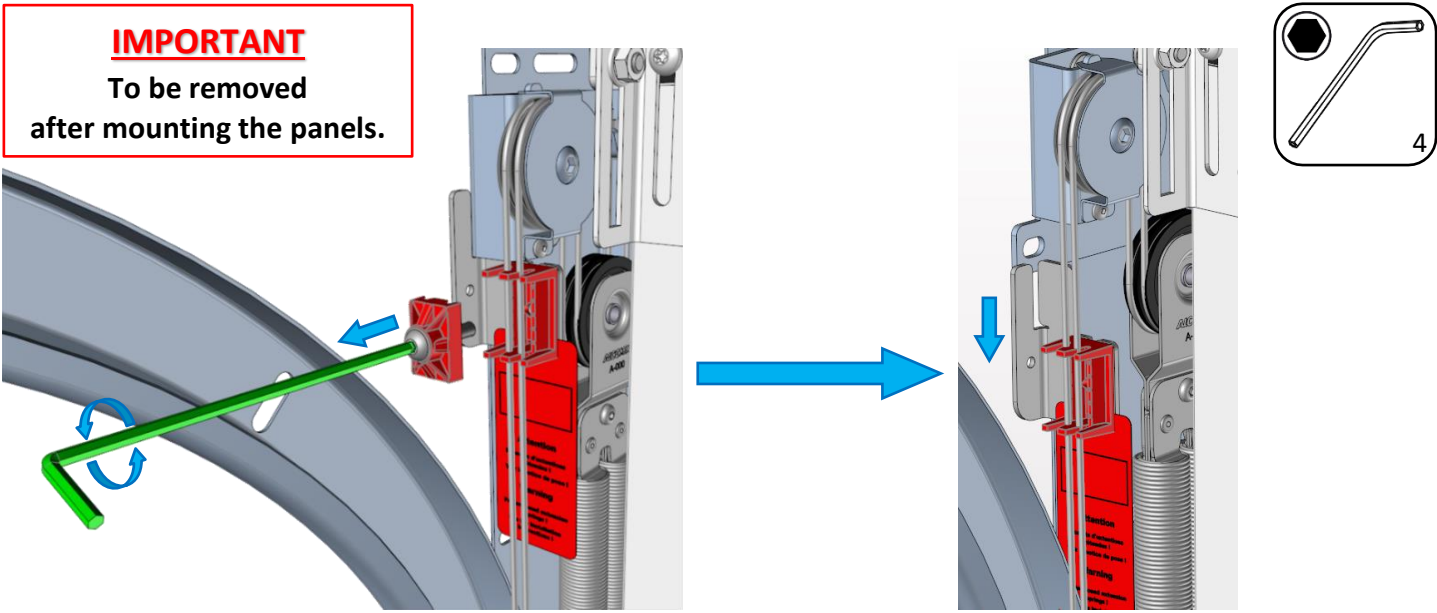
The roller rod must be able to turn freely.



Do not crush the panels on vertical joints.

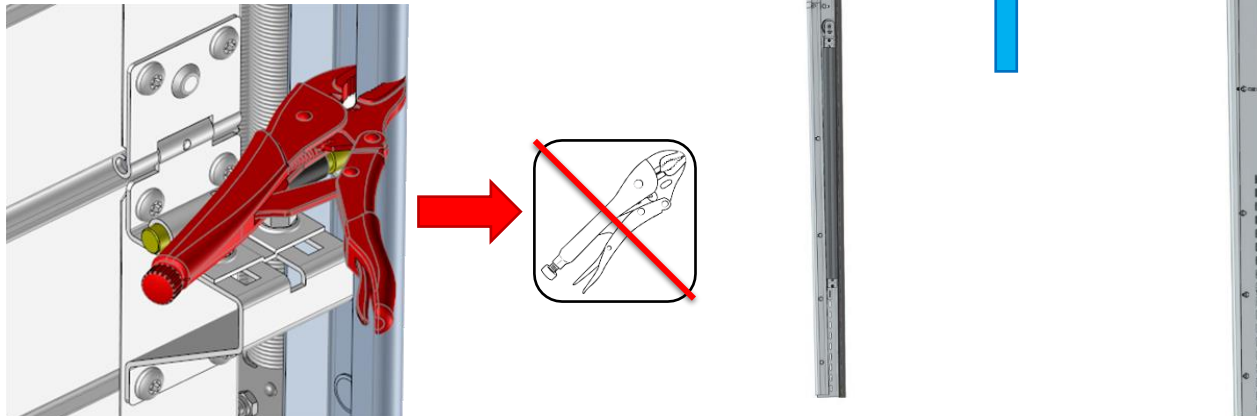
### Removal of top safety parts

**IMPORTANT**  
To be removed  
after mounting the panels.

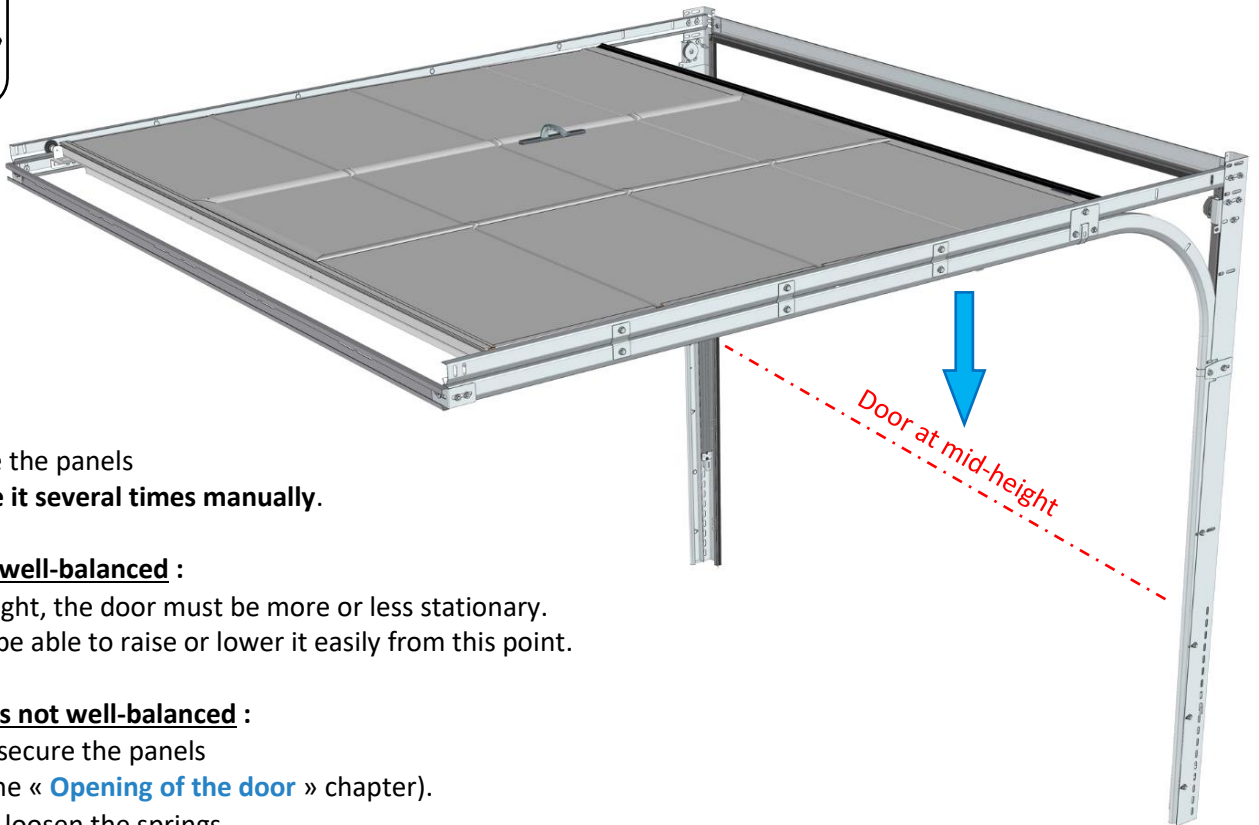


### Opening of the door

Remove the locking pliers before lifting the panels



## Checking the balance



Gently close the panels and **operate it several times manually.**

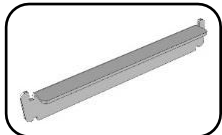
### **The door is well-balanced :**

- At mid-height, the door must be more or less stationary. You must be able to raise or lower it easily from this point.

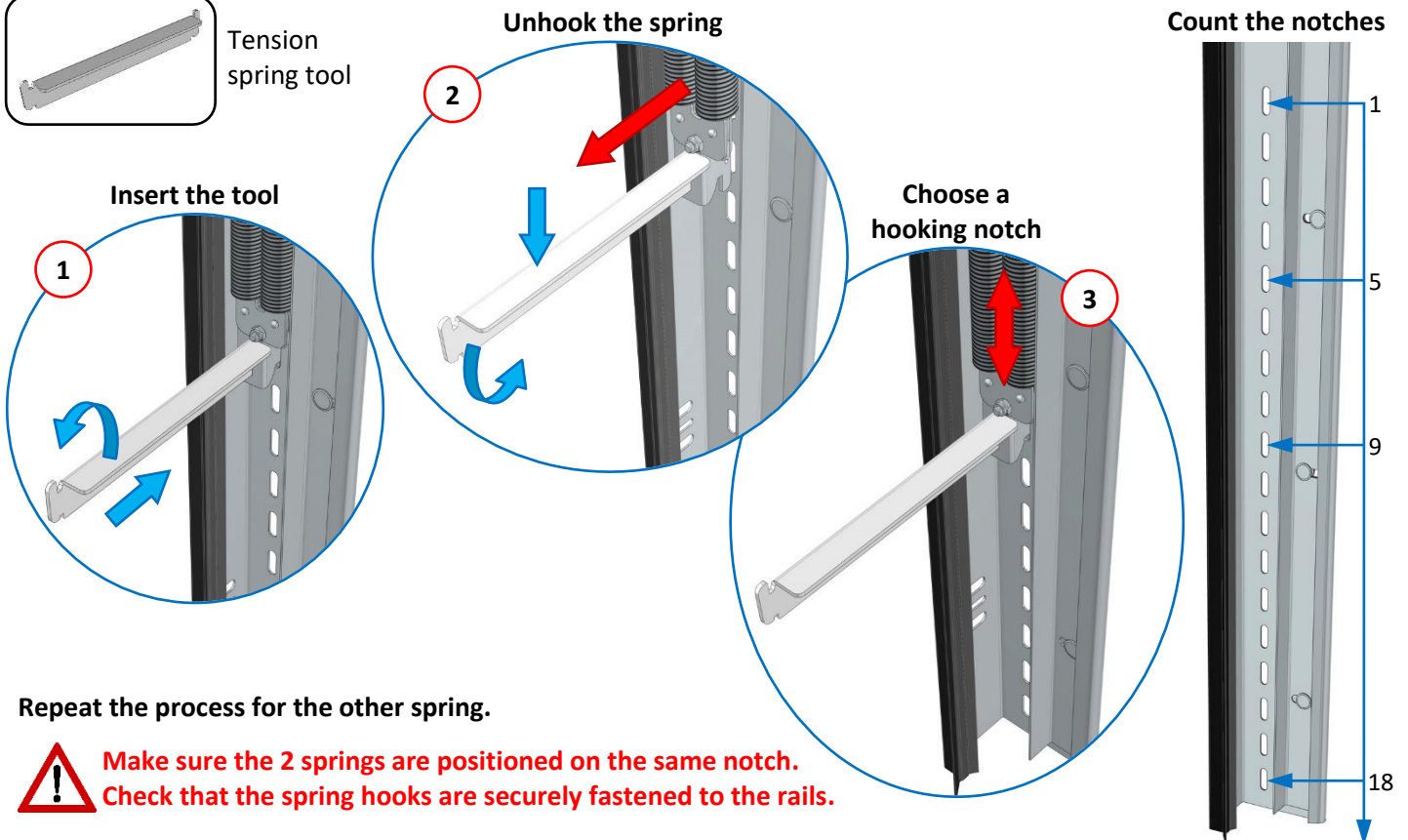
### **If the door is not well-balanced :**

- Raise and secure the panels (refer to the « [Opening of the door](#) » chapter).
- Tighten or loosen the springs (refer to the « [Adjusting the spring tension](#) » chapter).

## Adjusting the spring tension



Tension spring tool



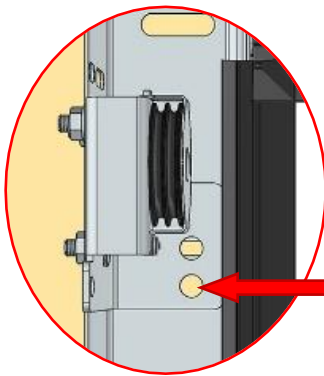
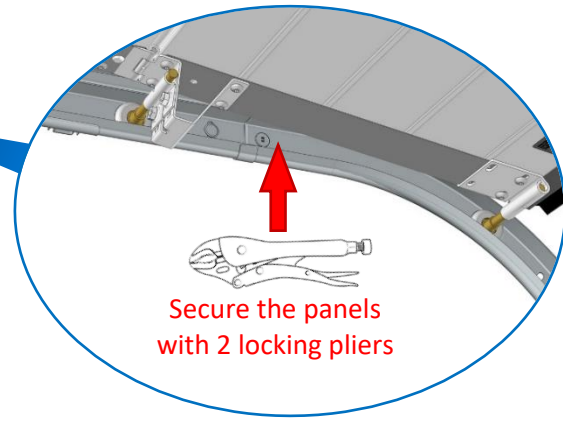
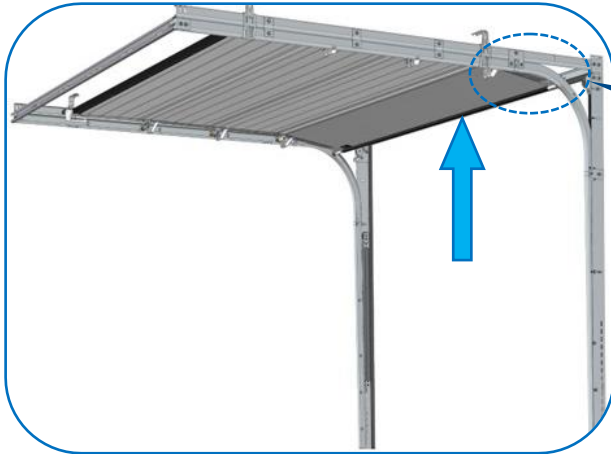
Repeat the process for the other spring.

- ⚠ **Make sure the 2 springs are positioned on the same notch.**
- ⚠ **Check that the spring hooks are securely fastened to the rails.**

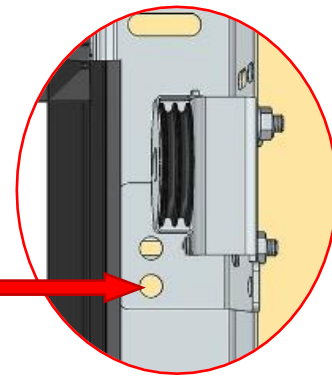
Check the balance again : Refer to the « [Checking the balance](#) » chapter previous.

## Fixing vertical rails at the level right & left pulleys

Open the door

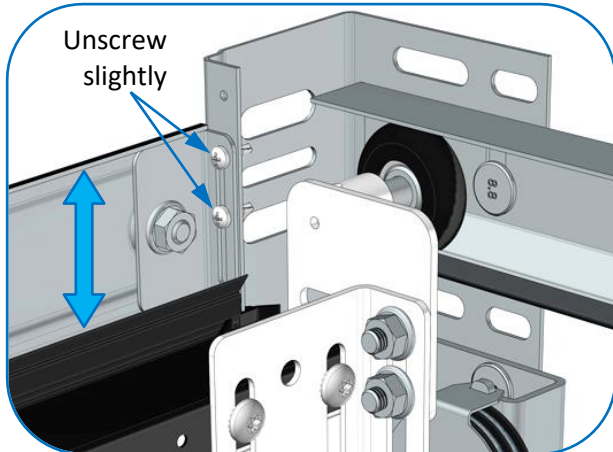


**IMPORTANT**  
Securely fix  
the 2 pulley holders



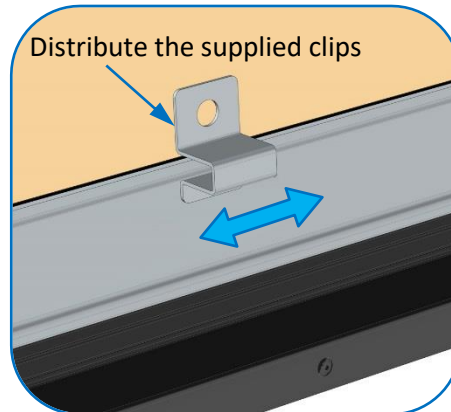
## Adjusting and fixing of the cross-member

Adjusting of the cross-member

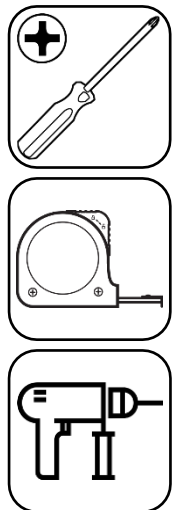


Repeat the process on the opposite side

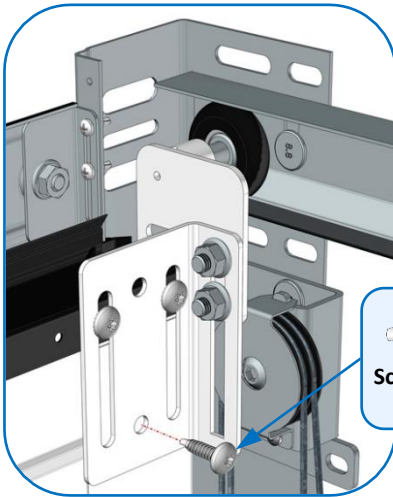
Fixing of the cross-member  
(Install after the operator)



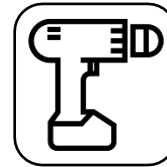
Use appropriate fittings for the support  
(screws and pins not supplied)



## Fixing the upper roller supports



Add



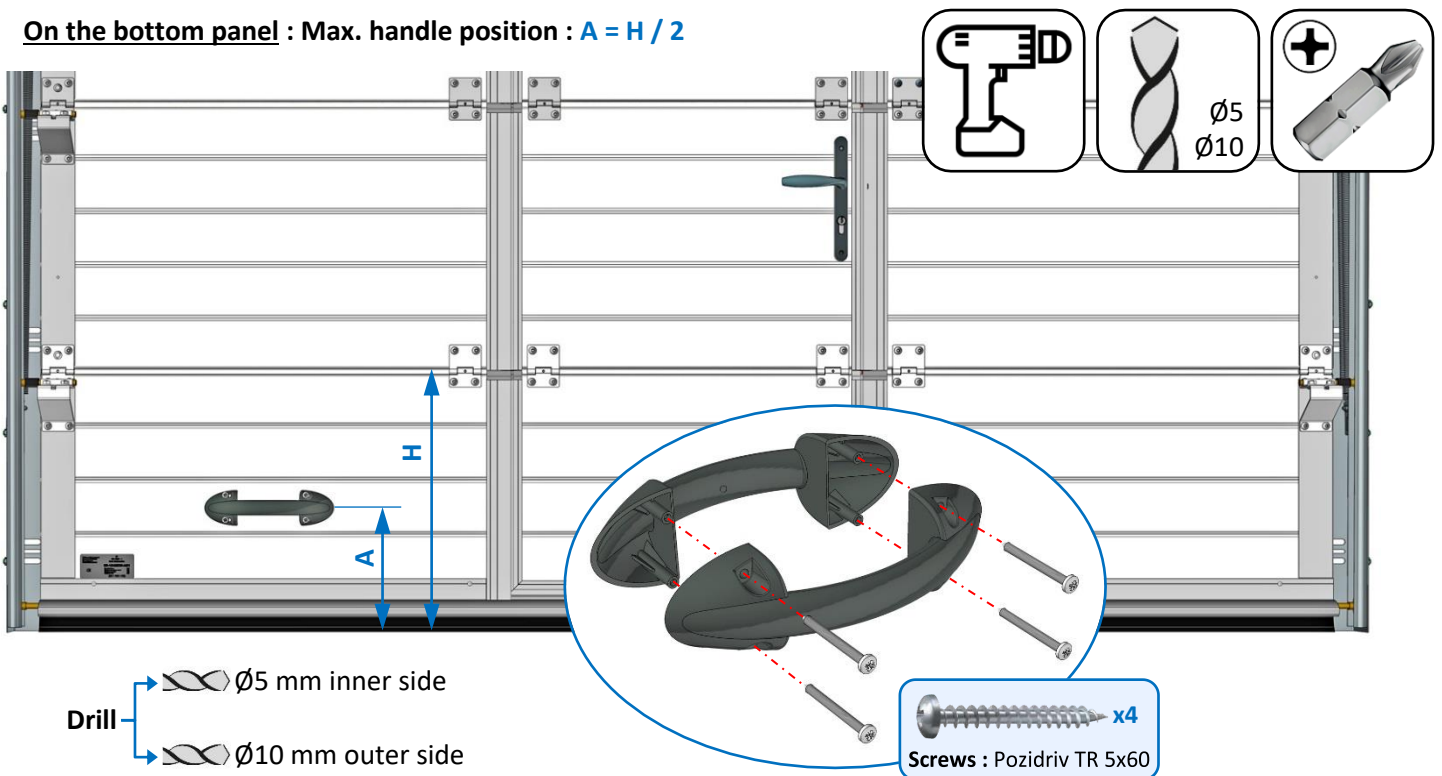
Repeat the process on the opposite side

## Installation of opening stop (if manual door)

- Refer to the instruction for installation of the opening stop.

## Mounting the handle

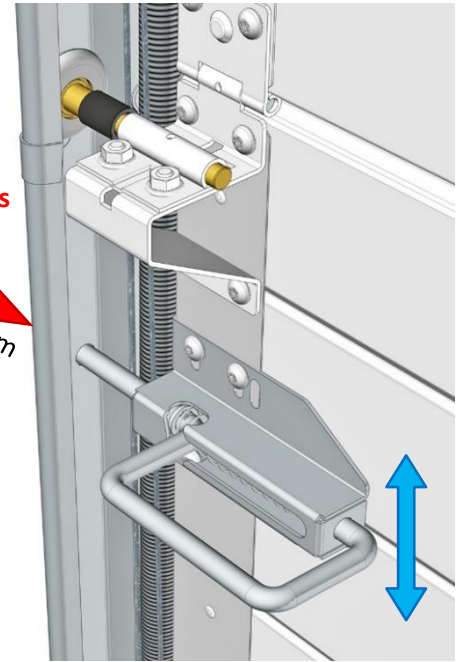
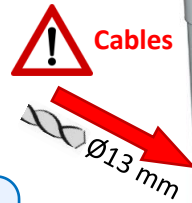
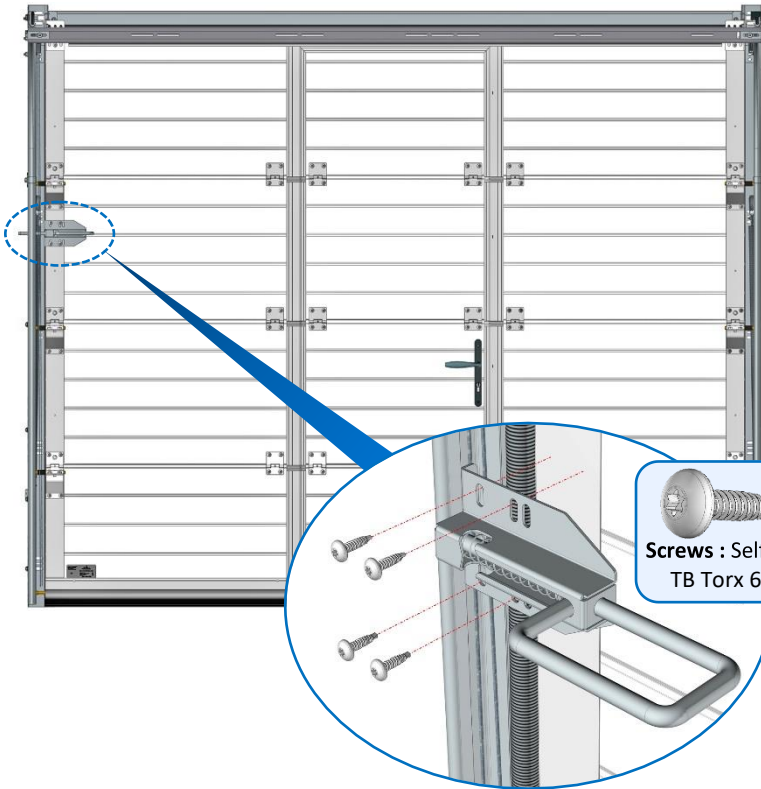
On the bottom panel : Max. handle position :  $A = H / 2$



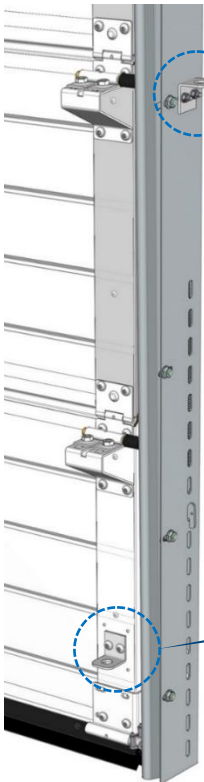


## Mounting the latch (optional on motorised doors)

On 2<sup>nd</sup> intermediate panel :



## Installing the pull cord (if manual door)



On the bottom panel

Screws : Self-drilling TB Torx 6,3x25 x2

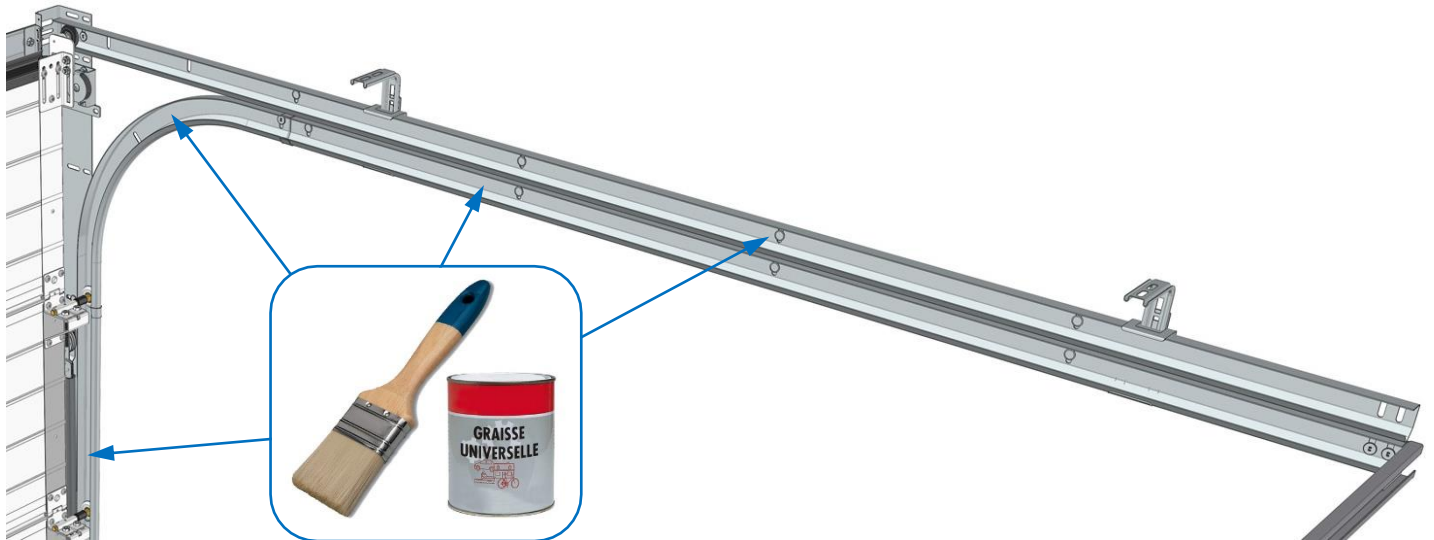
### Weather seal (optional)



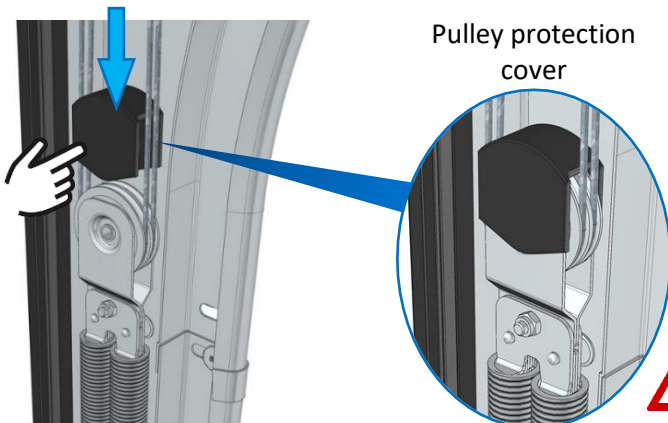
Weather seal section to be glued to the floor between the rails.

Refer to manual : Weather seal.

### Greasing the bottom of the rails



### Mounting of spring pulley covers

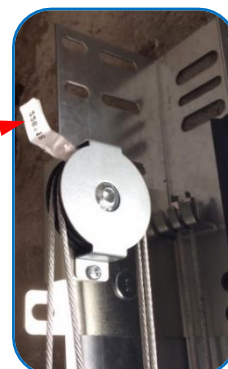


**!** Pulley covers are not supplied, if the rails are equipped with the protection cover option.

### Cable labels

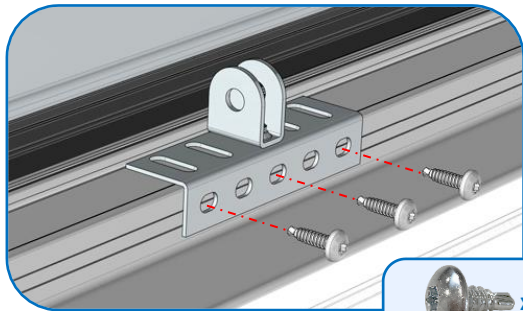
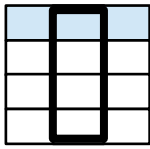


Remove the cable labels



## Fixing the « SOMMER » operator to the back bar

Full-height wicket door

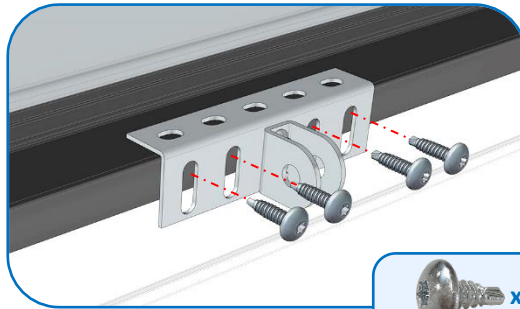
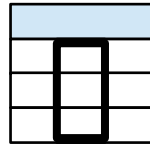


Screws : Self-drilling  
TB Torx 6,3x16

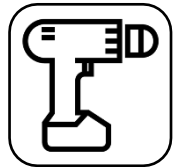


**Do not add screws**

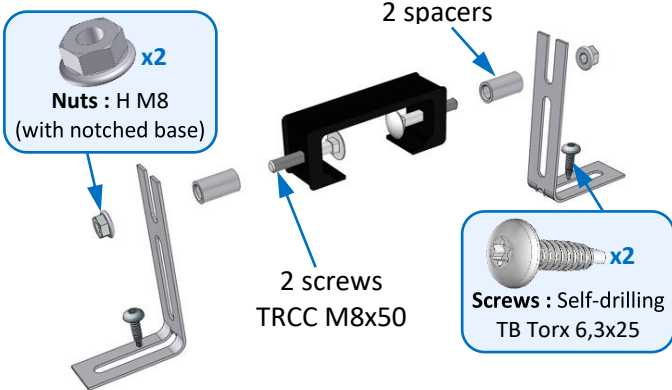
Intermediate wicket door



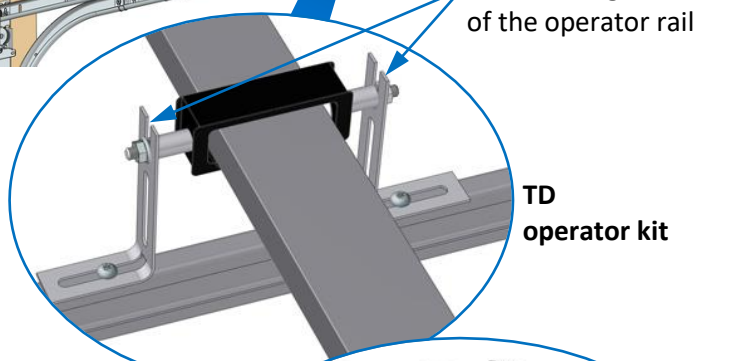
Screws : Self-drilling  
TB Torx 6,3x16



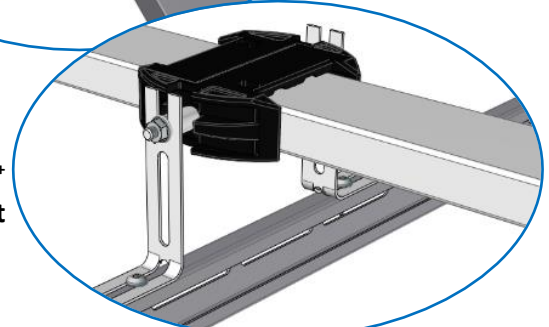
Cut the hangers  
of the operator rail



**This fastening kit is compatible exclusively  
with all « SOMMER » operators.**



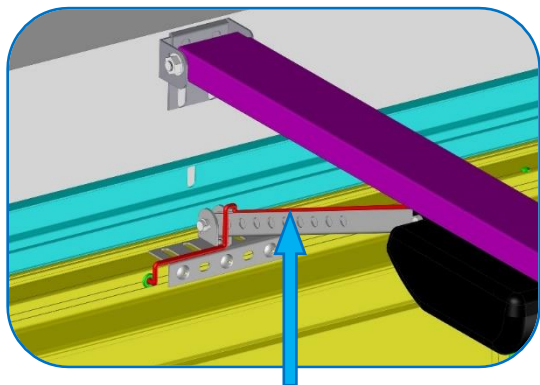
TD  
operator kit



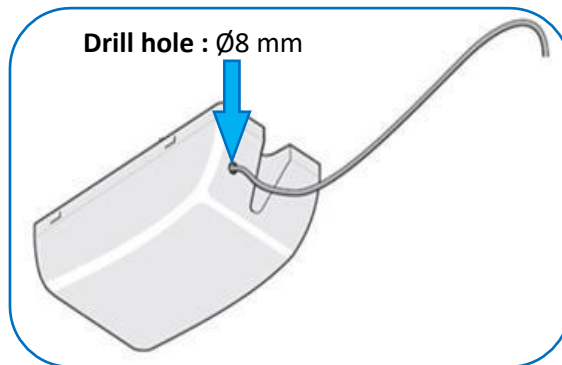
Pro+  
operator kit

# Micro switch & contact radio

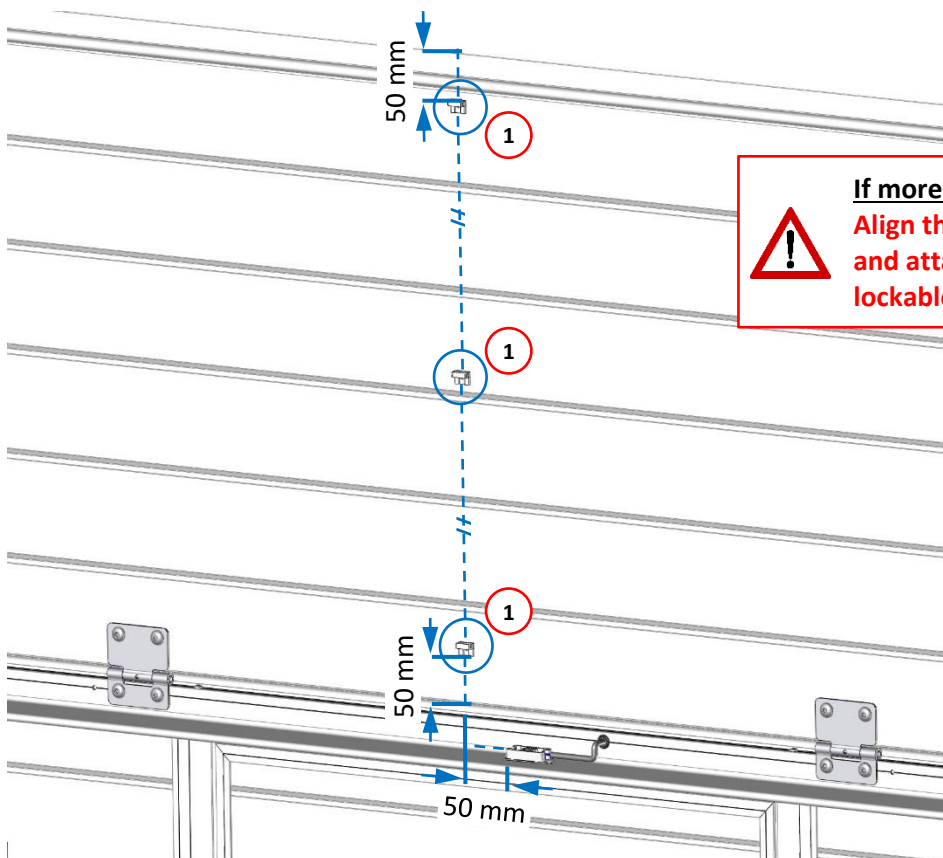
## Connecting the safety micro switch to the TD operator (wiring)



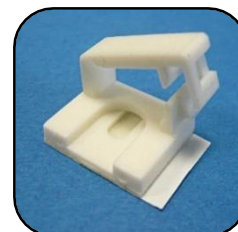
**If there are 3 or 4 panels :** Pass the electric cable of the micro switch along the length of the operator arm.



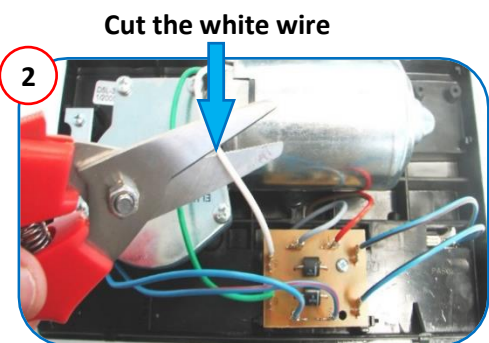
Unclip the cover



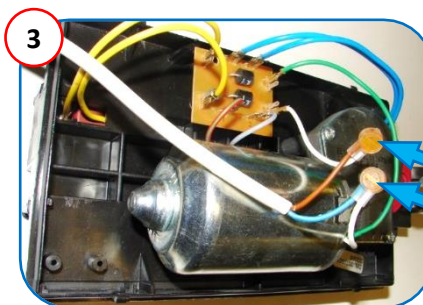
**If more than 4 panels :**  
 ⚠️ **Align the cable towards the operator arm and attach it to the panels using the lockable adhesive cable-clamps (provided).**



Lockable adhesive cable-clamp

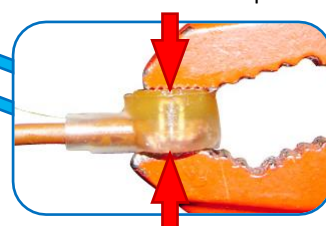


**2** Cut the white wire



**3**

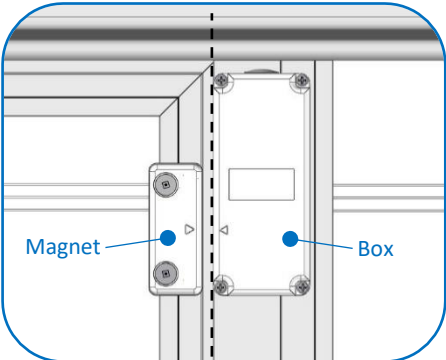
Connect the 2 white wires on the operator in sequence with the 2 micro switch wires. 2 scotchlock connectors provided.



**4** Check that the micro switch is working, then clip the operator cover back on.

## Installation : Safety contact radio (wireless) on top panel of wicket door

**Transmitter module**  
(Left push wicket door)



Magnet

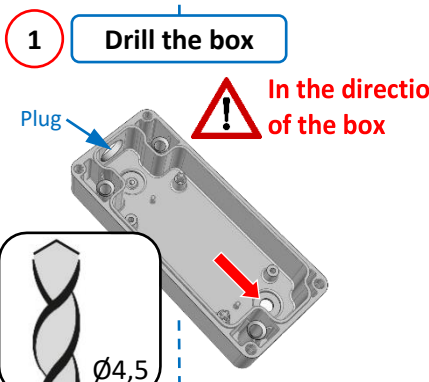
Box

Opener

Frame

OR

**1 Drill the box**

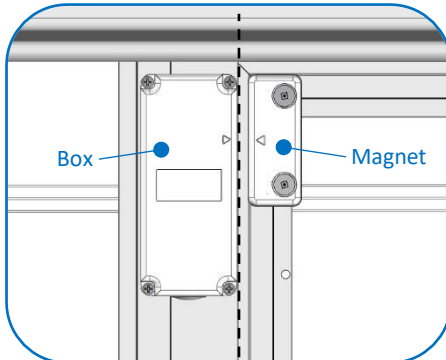


Plug

In the direction of the box

Ø4,5

**Transmitter module**  
(Right push wicket door)



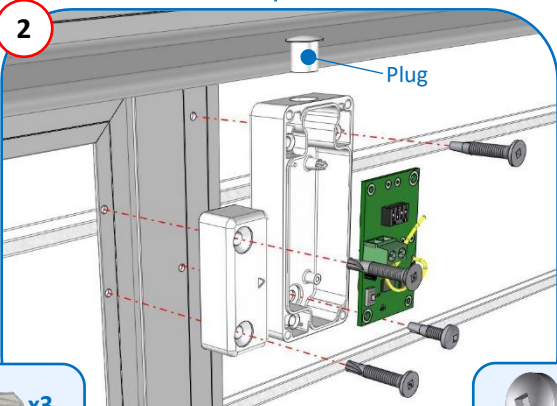
Box

Magnet

Frame


Opener

**2**



Plug

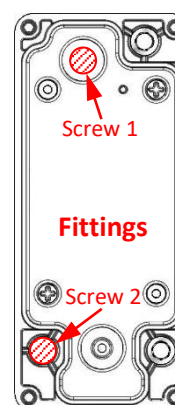
**Fix the parts on the opener and frame**



Screw 1

Fittings


Screw 2



Screw 1


Fittings

Screw 2




**x3**

Screws : Self-drilling TF Square 4,2x25



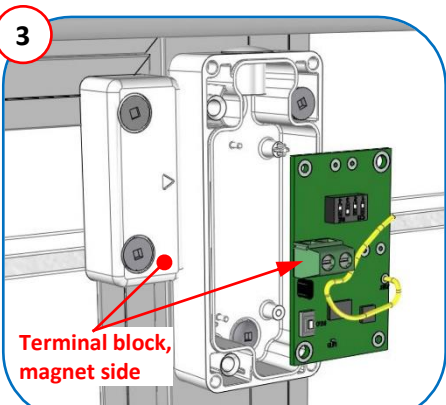
**x1**

Screw : Self-drilling TB Square 4,2x16



SQ2


**3**



Terminal block, magnet side

**Reinstall the board**


**4**



REMOVE BEFORE USE

**Remove the battery isolator**


**5**



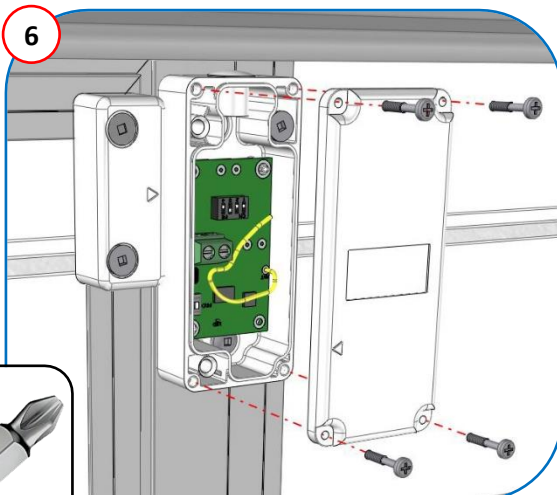
ON

1 2 3 4

**Check the position of the switches**



**6**



**Close the box**



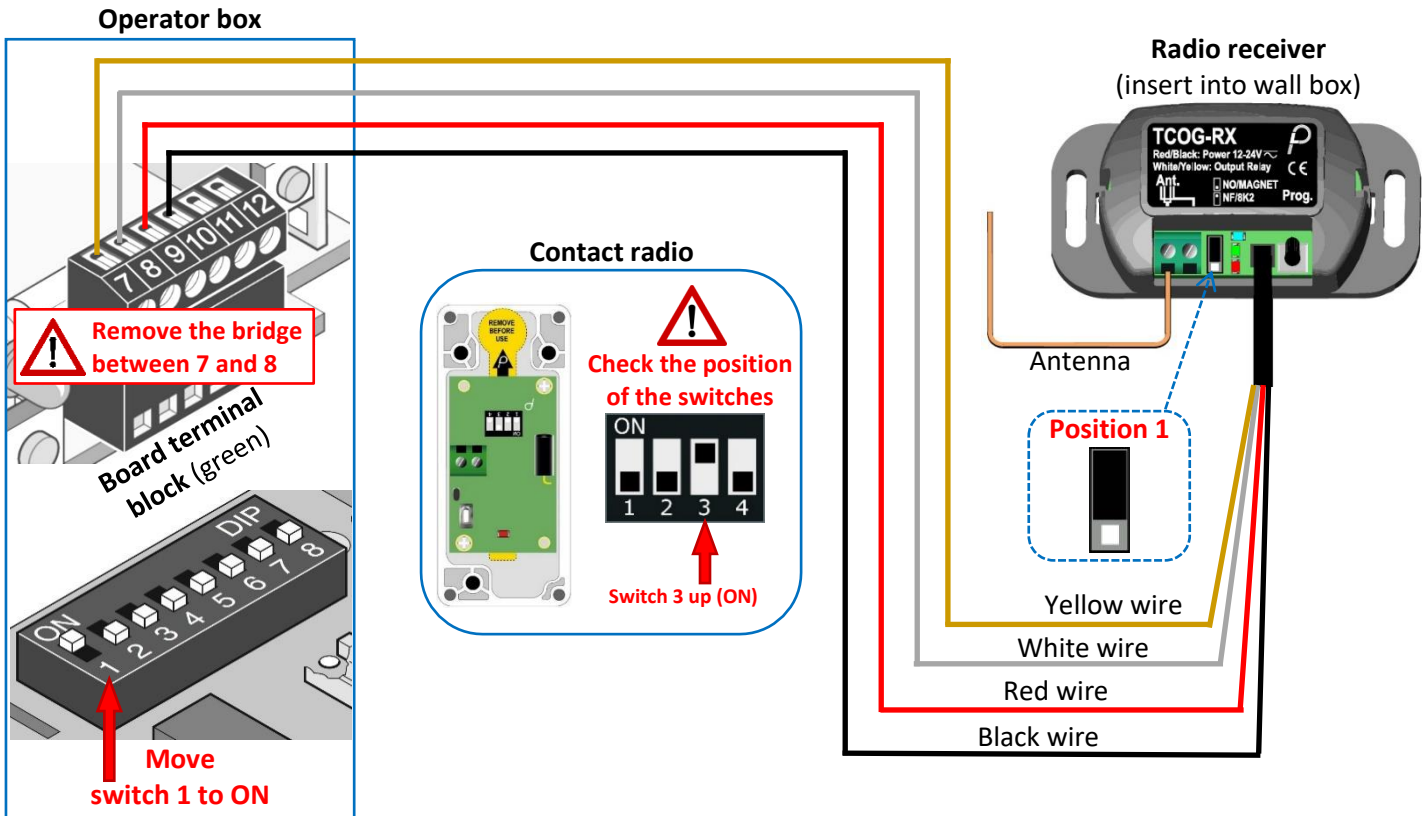
The contact radio is programmed at the factory.

It is ready to use.

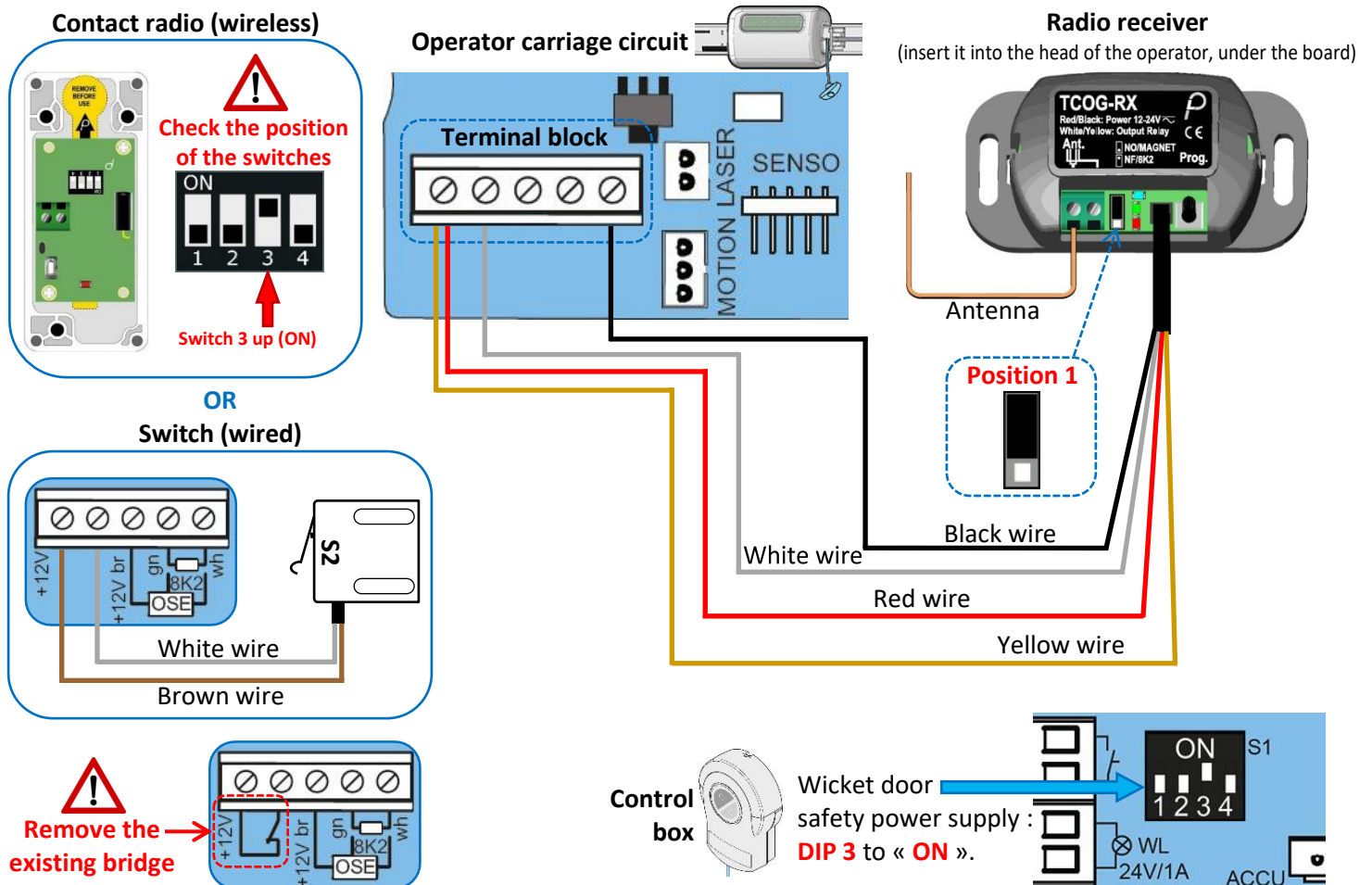
**Please note :** In case of failure, refer to the transmitter documentation.

# Connection

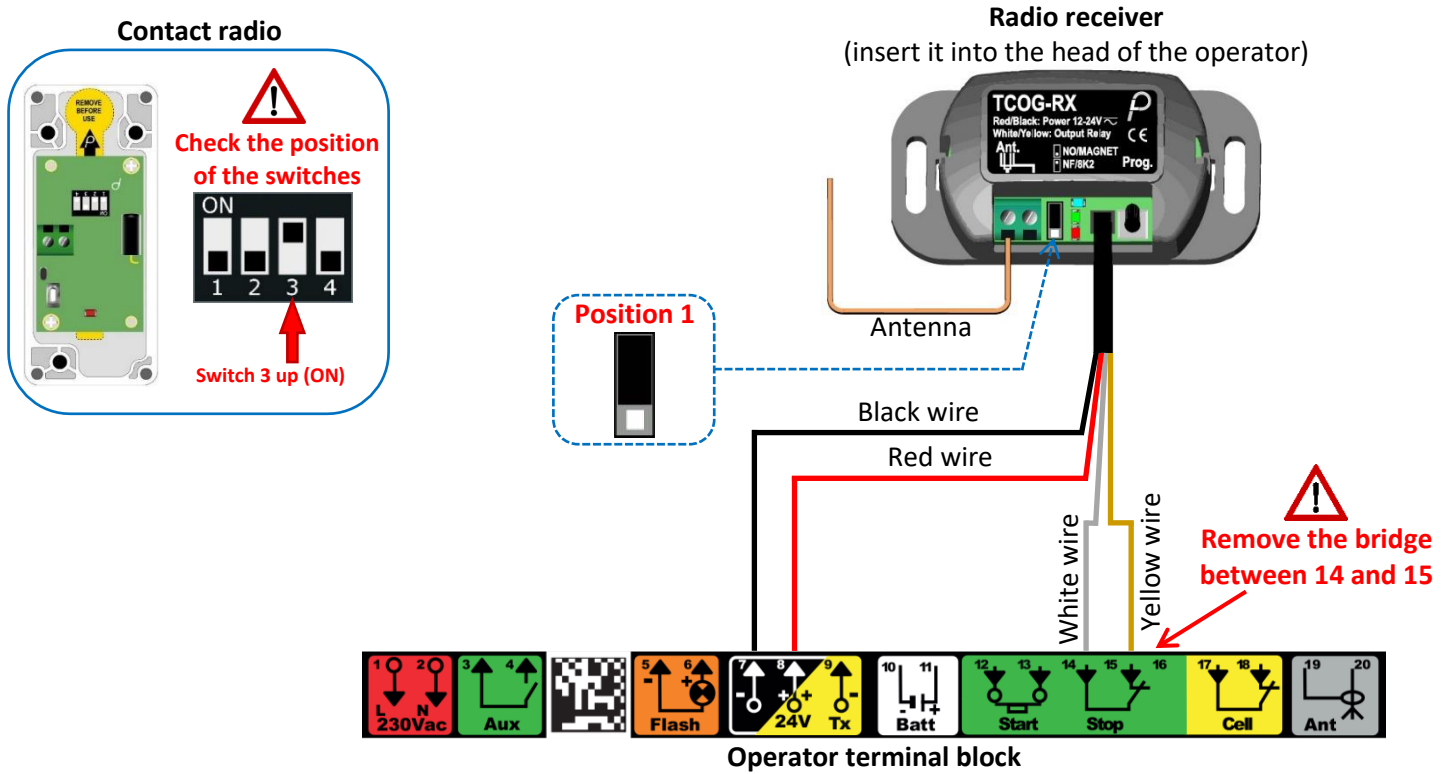
## Safety contact radio (wireless) with the TD operators (SOMMER)



## Safety contact radio (wireless) or switch (wired) with Pro+ (SOMMER) operators



### Safety contact radio (wireless) with the Dexxo Smart io 800 operator (SOMFY)



### Safety contact radio (wireless) with the Dexxo Optimo RTS operator (SOMFY)

