

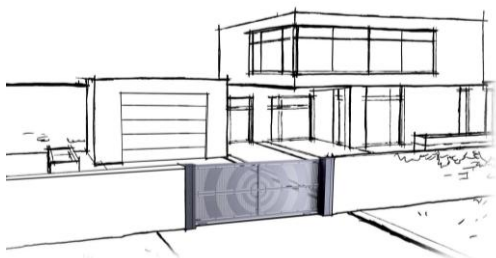
Manual No. 7445

01/26

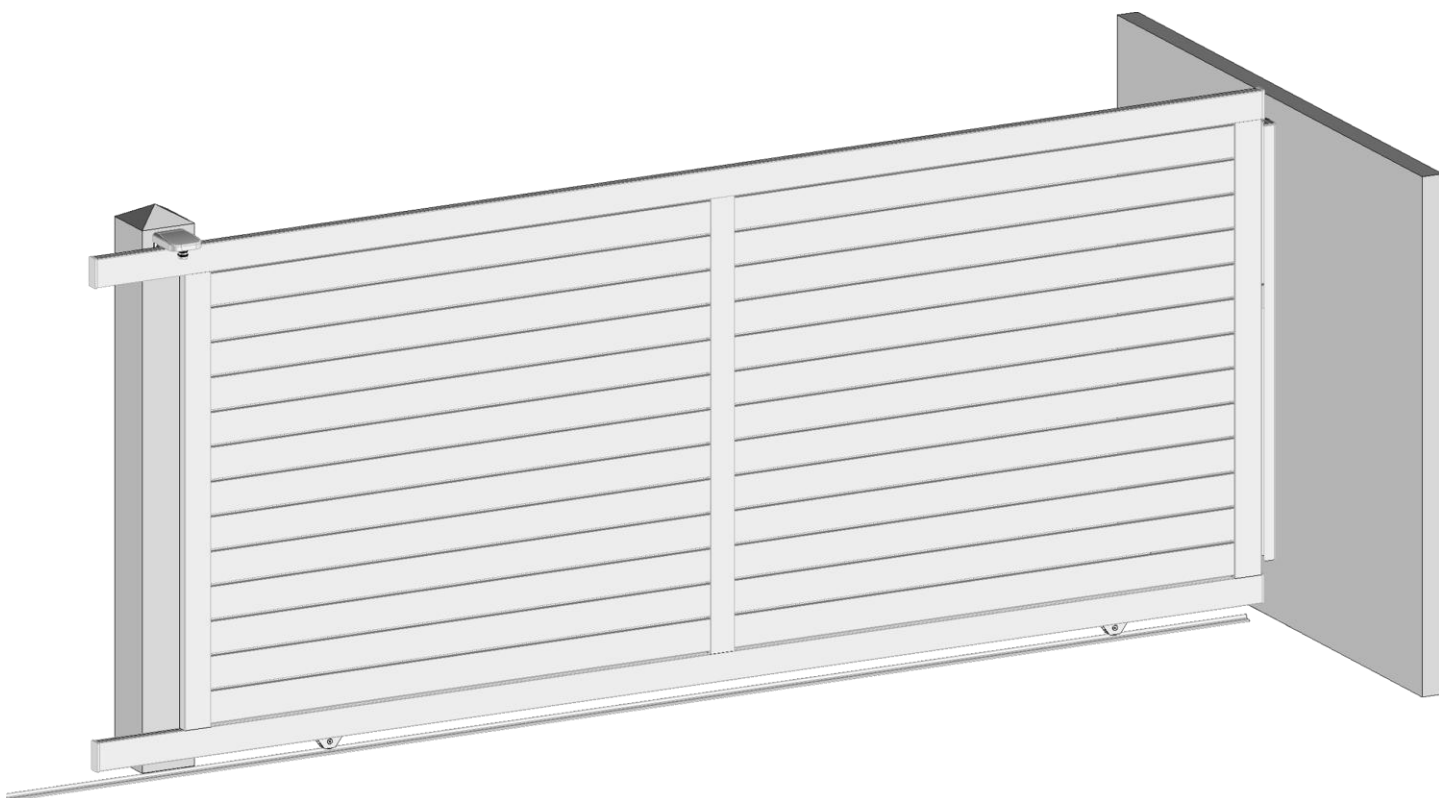
Additional INSTALLATION

Sliding gate against a wall

INITIAL range



Manual or Motorized



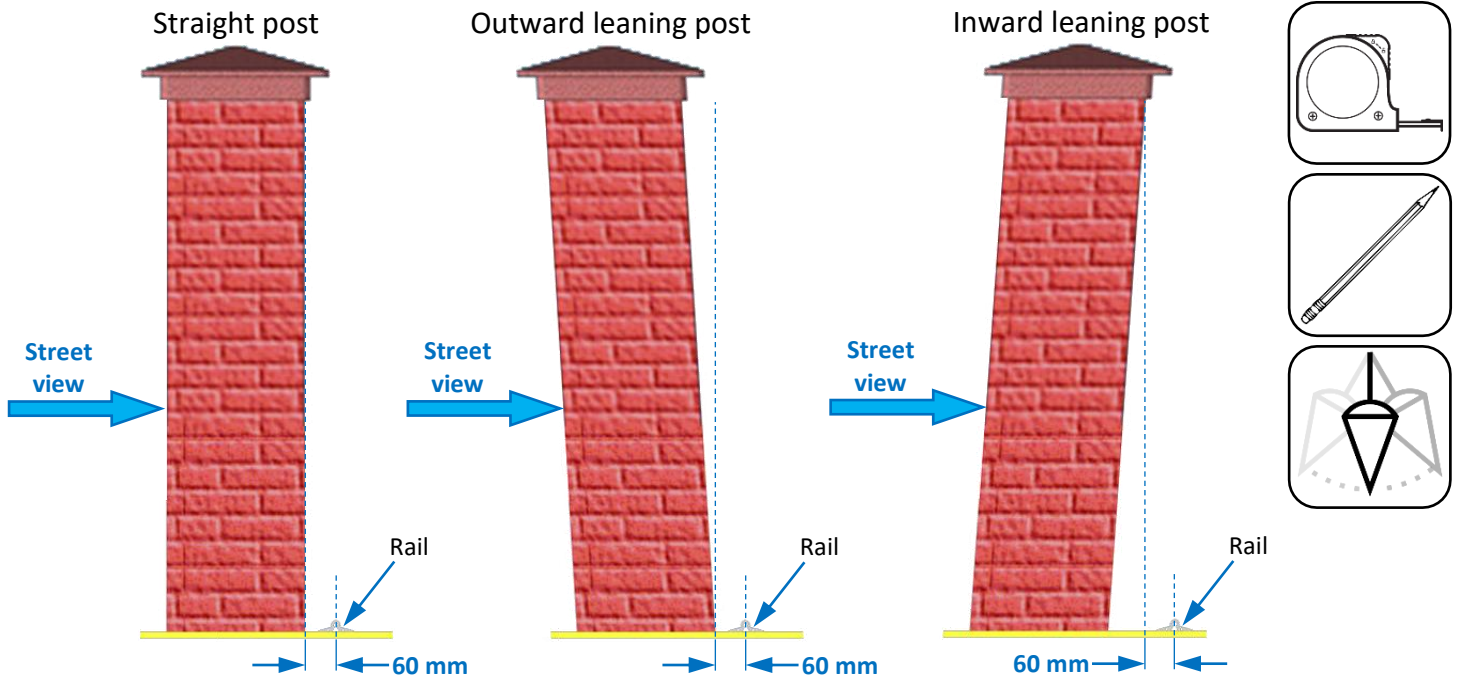
(Document reserved for installers)

Installation

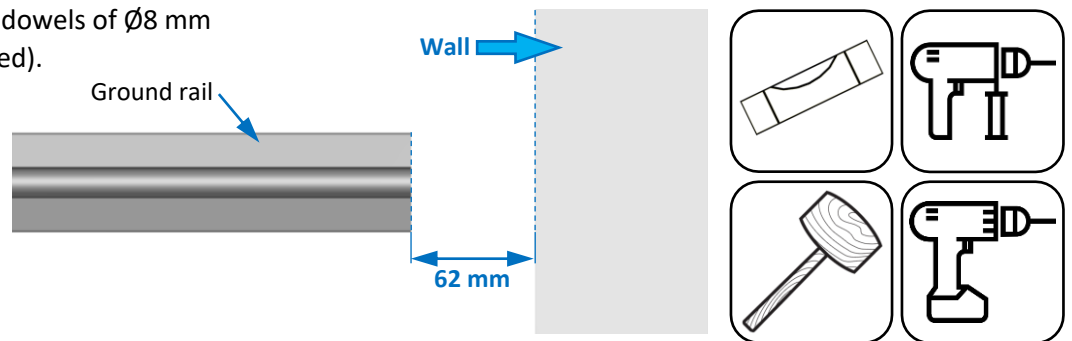
IMPORTANT, before the installation:

Check worksite dimensions, level 0, plumb of the post and the wall.
All is detailed into the INITIAL range sliding gate manual of installation.

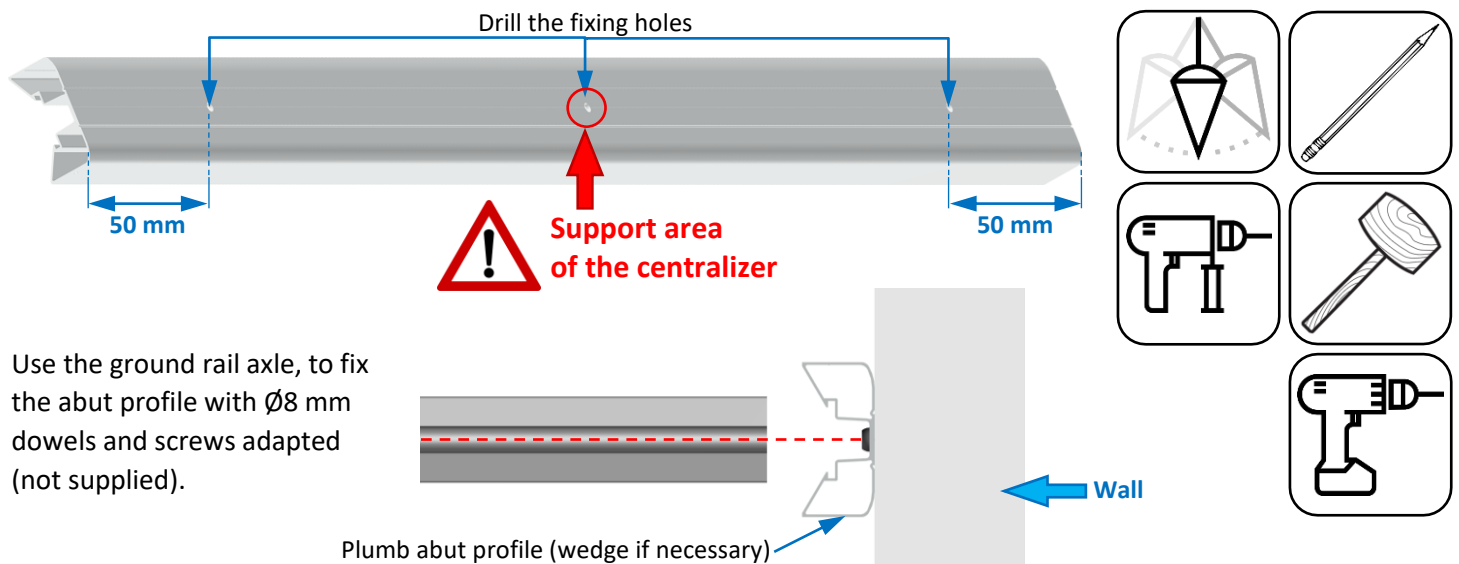
Position and fix the ground guiding rail



Fix the ground guiding rail with dowels of $\varnothing 8$ mm and adapted screws (not supplied).



Install the abut profile



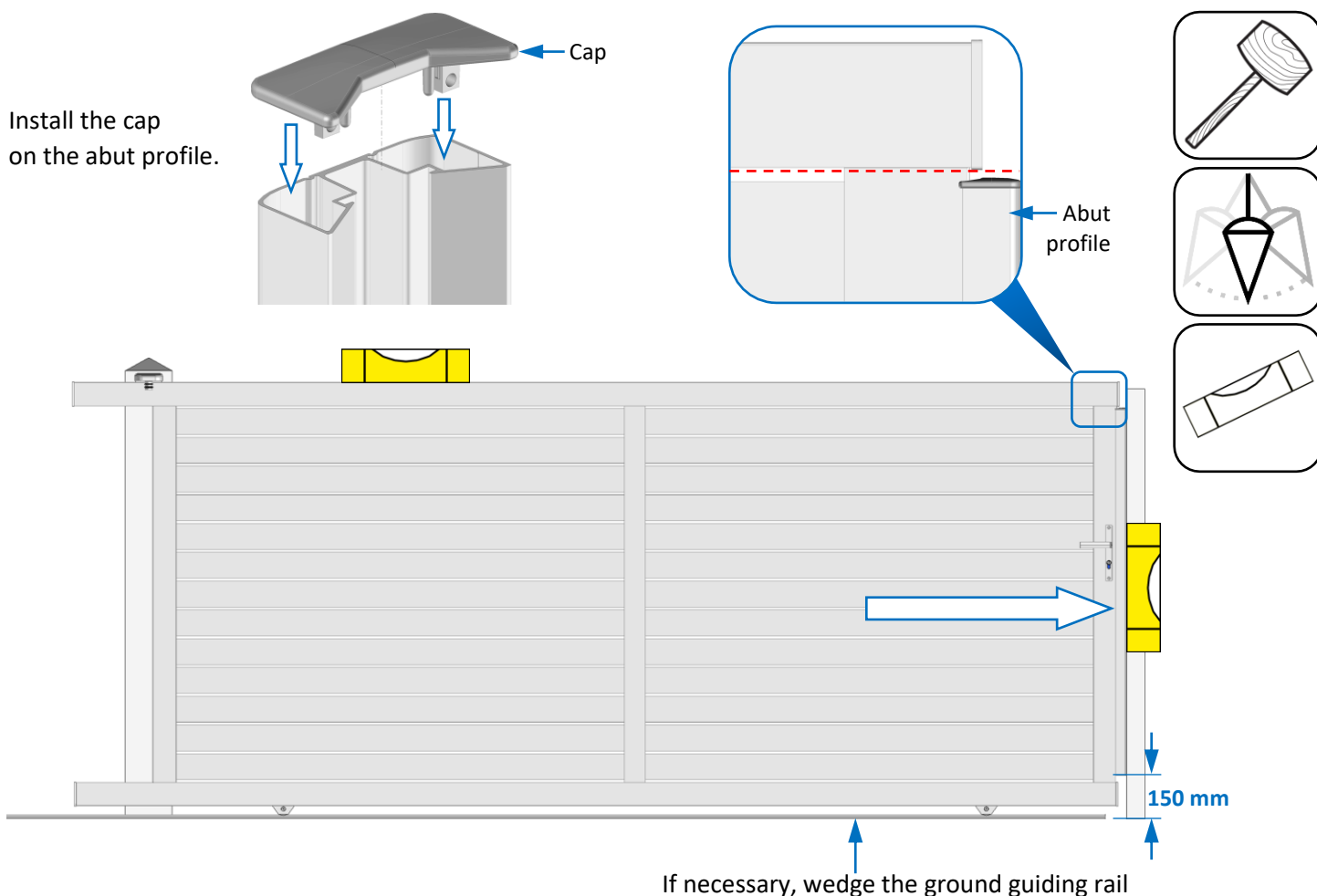
Use the ground rail axle, to fix the abut profile with $\varnothing 8$ mm dowels and screws adapted (not supplied).

Plumb abut profile (wedge if necessary)

Follow the installation instructions for INITIAL range sliding gate to:

Fix the top guiding bracket, install the gate and the assembly of the handle (manual gate).

Check the alignment of the abut profile with respect to the gate



Follow the installation instructions for INITIAL range sliding gate to:

Fit the anti-lift tab, install the opening abutment and fix the gear rack in place.