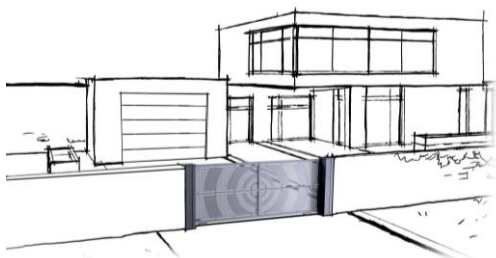


Manual No. 7444

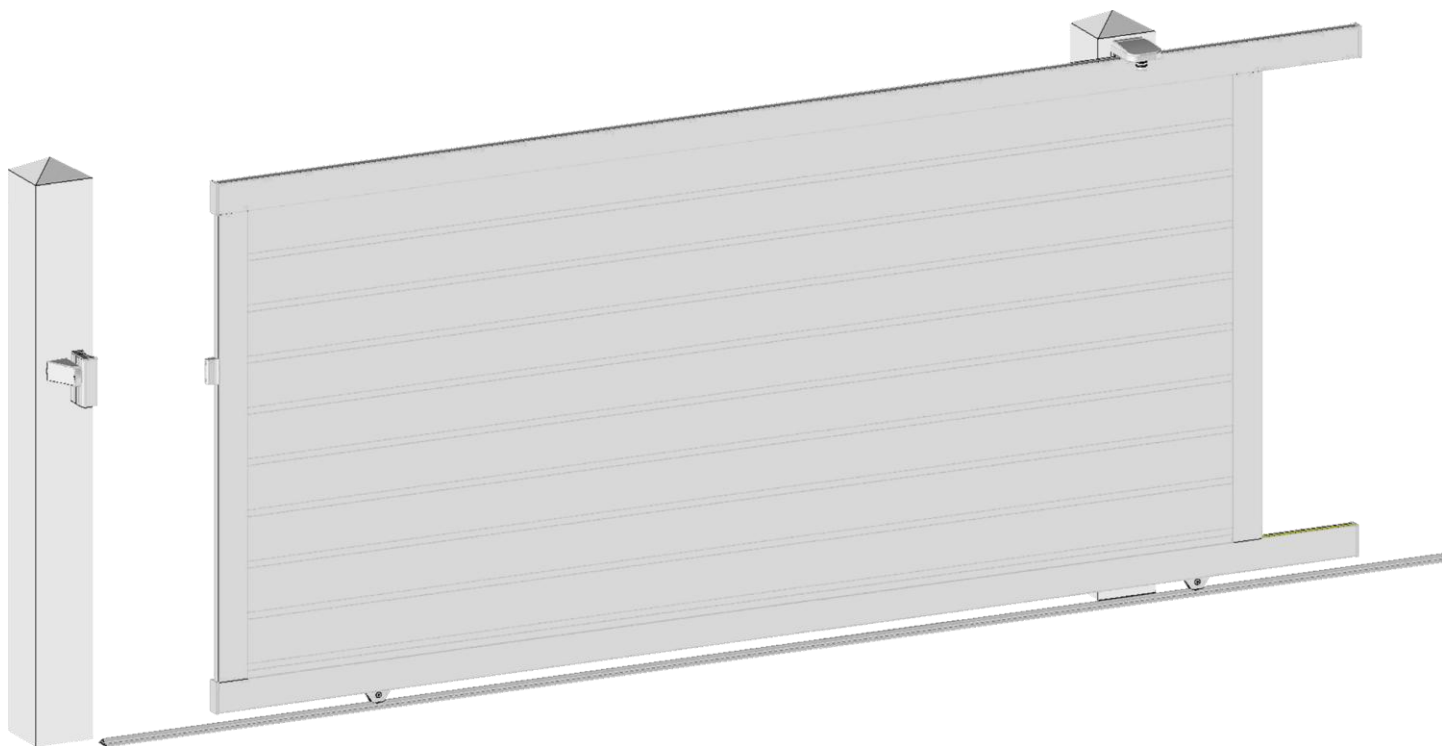
05/26

INSTALLATION

Sliding gate **INITIAL range**



Manual or Motorized



(Document reserved for installers)

Contents

Installation instructions.....	3
Before installation	3
List of tools.....	3
Check worksite dimensions	4
Check level 0, plumb and posts alignment.....	4
Wiring diagram	4
Installation	5
Position and fix the ground guiding rail.....	5
Fix the top guiding bracket on the post, opening side	6
Install the gate guiding rail	6
Check the plumb of the gate	7
Fixing the cap.....	7
Assemble the cylinder and the handle assembly (manual gate).....	7
Position and fix the bracket of the abut profile	8
Install the abut profile against the bracket	8
Insert and adjust the anti-lift tab.....	9
Install the opening abutment against the guide rail	9
If motorized version: Install the motorization.....	9
Prepare and fix the gear rack.....	10
If operator with mechanical stops: Install the stops	11

Installation instructions

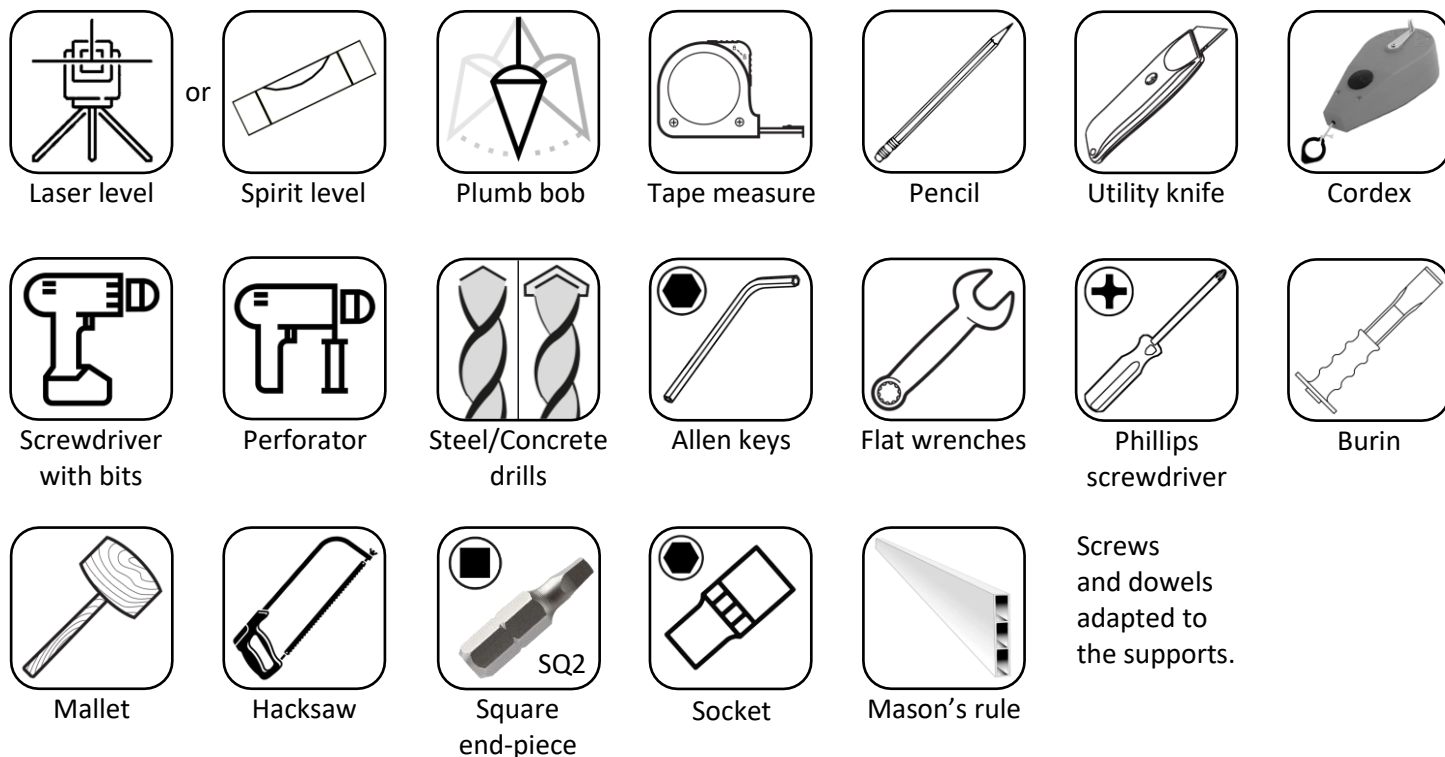


To ensure that this product is well assembled, used and maintained in complete safety, it is important to follow the instructions provided in this document. For everyone's safety, please adhere to the precautionary measures below.

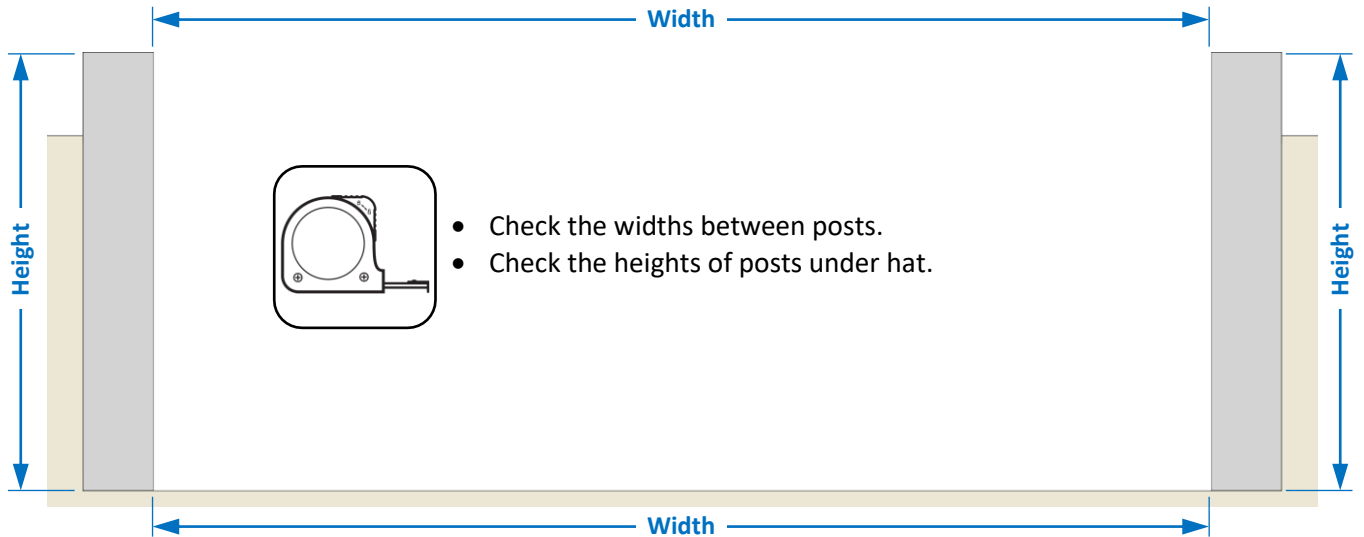
- Before beginning the assembly, read this manual carefully.
- This product must be installed by a professional.
- All the parts delivered are specifically sized for this product. Adding and/or using other parts may be detrimental to safety and may affect the product's warranty.
- Any modification or improvement of this closure must be compliant with the standard BS EN 13241: 2003+A2: 2016. In this case, a " Modification/Transformation " file must be created by the installer as per the standard BS EN 12635: 2002+A1: 2008 annex C.
- Carry out work in accordance with the safety instructions. Use the appropriate tools to install this product. Ensure that all work is carried out on a stable ground.
- Ensure that the assembly area is adequately clear, clean and clearly marked out.
- Ensure that no other people are present at the assembly site apart from the installers. Indeed, non-authorized persons such as children, who are present at the site risk injury during assembly.
- All the components of this closure must be installed in compliance with the installation instructions provided in this manual.
- All the requirements of the standards BS EN 13241: 2003+A2: 2016 must be met and verified, if necessary.

Before installation

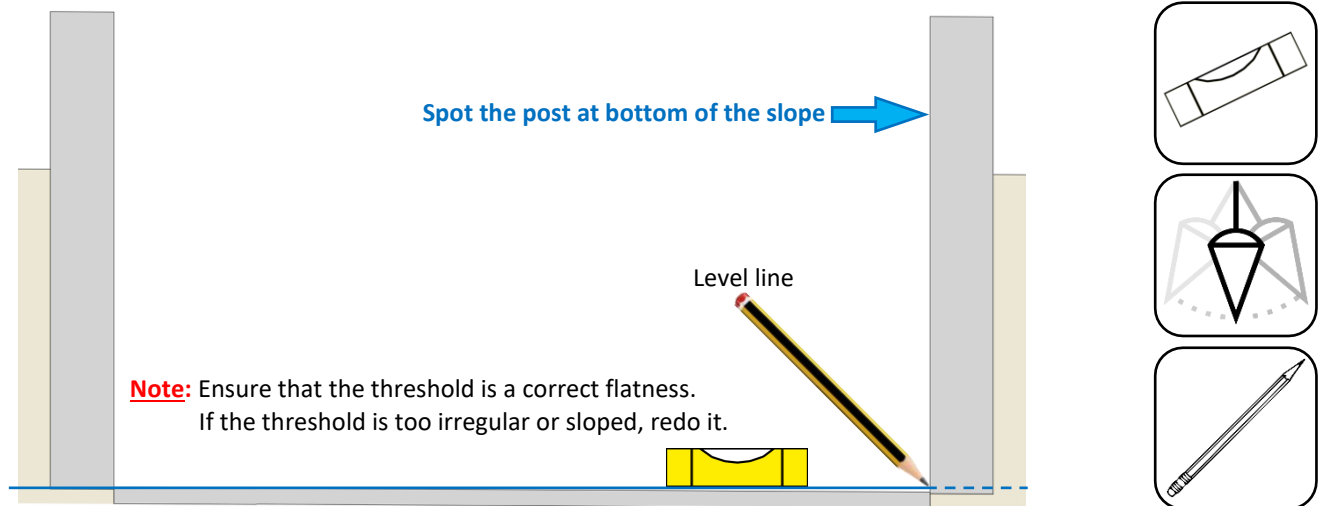
List of tools



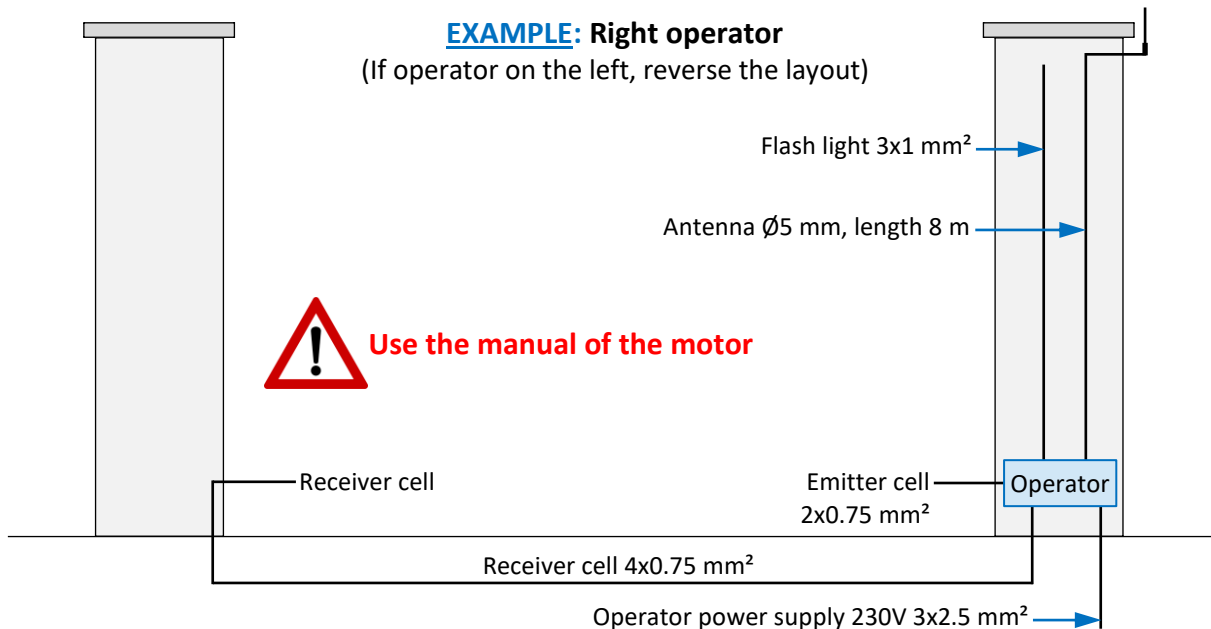
Check worksite dimensions



Check level 0, plumb and posts alignment



Wiring diagram

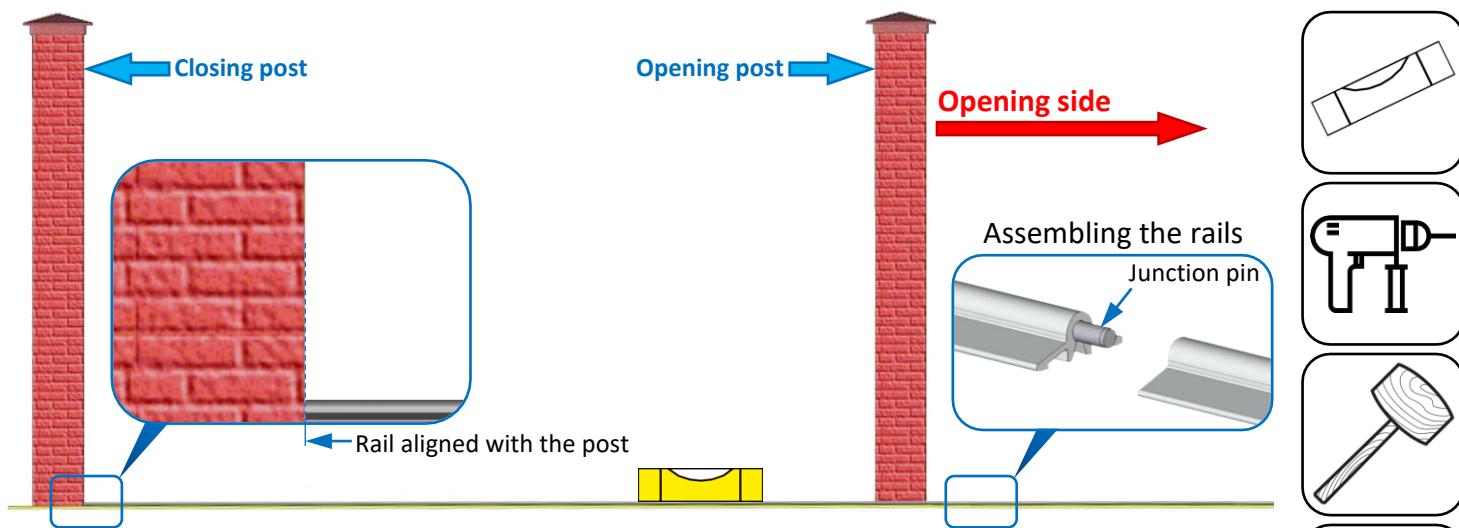
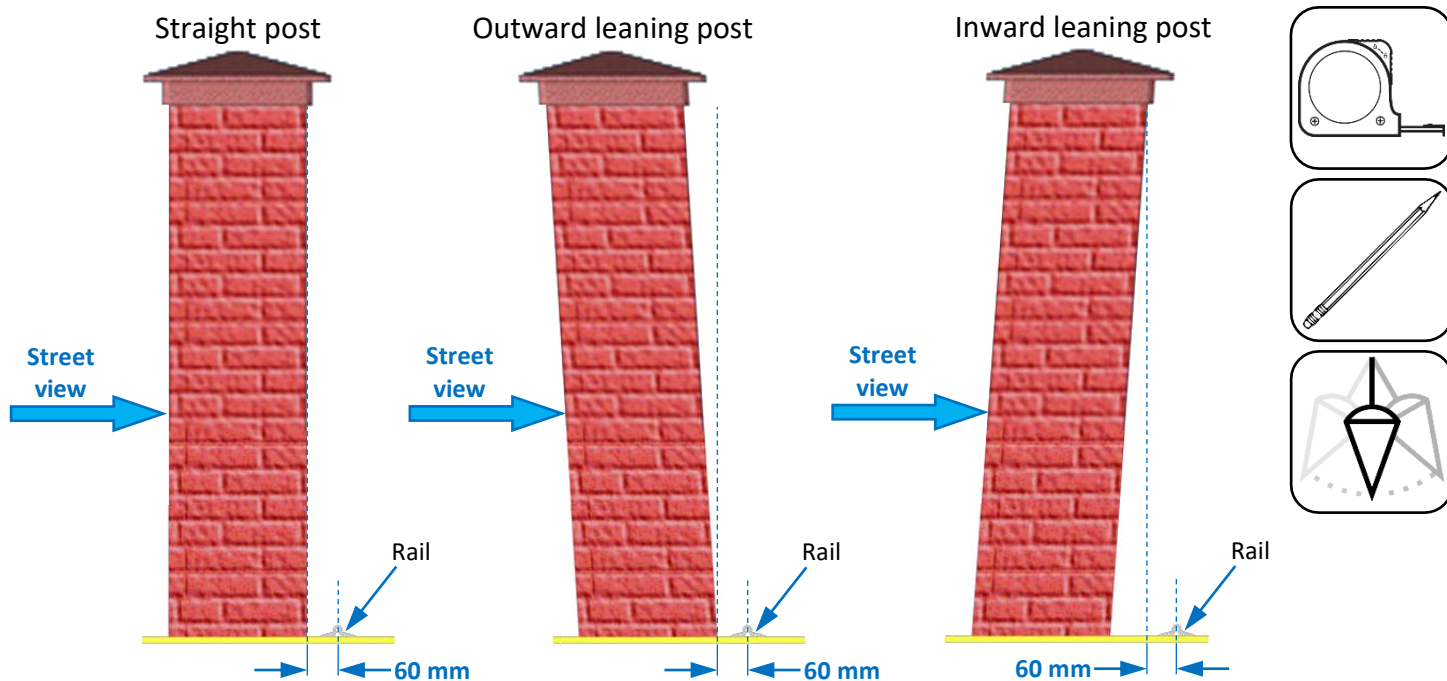


Installation

IMPORTANT, before the installation:

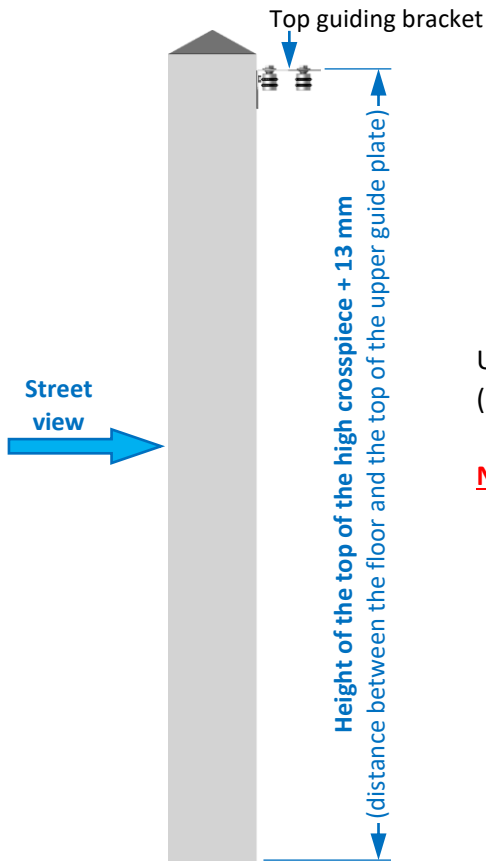
Check worksite dimensions, level 0, plumb and posts alignment; detailed in the previous chapters.

Position and fix the ground guiding rail



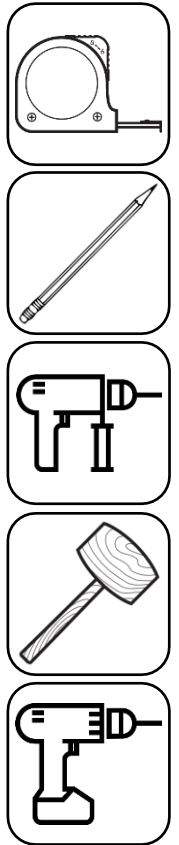
Fix the ground guiding rail from the closure post with dowels of $\varnothing 8$ mm and adapted screws (not supplied).

Fix the top guiding bracket on the post, opening side

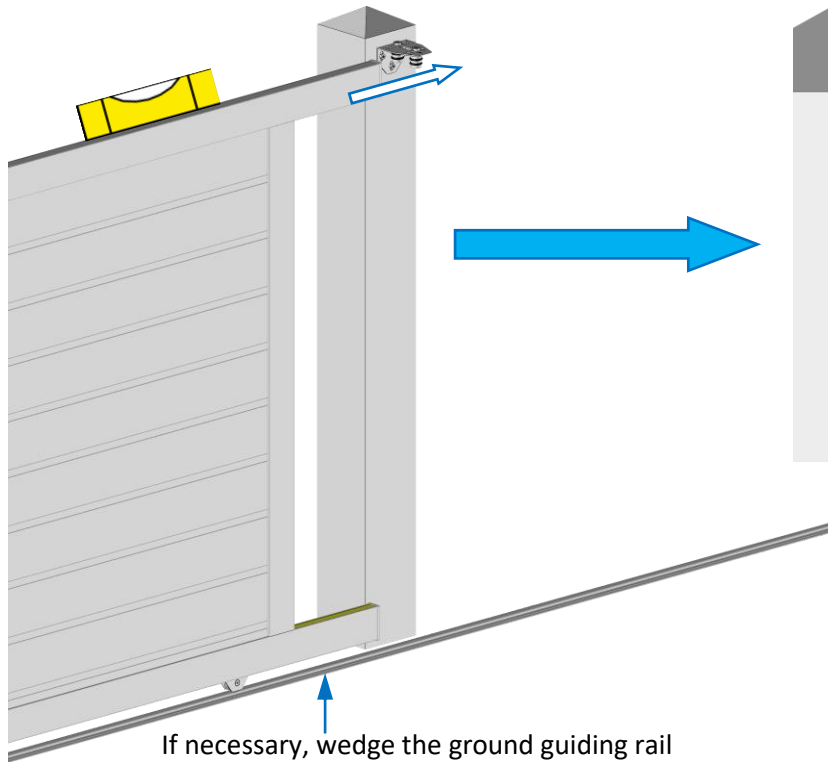


Use M8 struck dowels or chemical seal with adapted screws (not supplied).

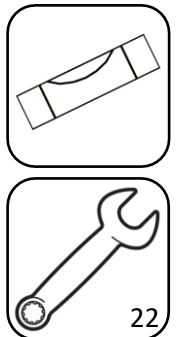
Note: If the post is leaning outward at a significant angle, use shims for the top guiding bracket (top guiding bracket can accept a false plumb up to 20 mm).



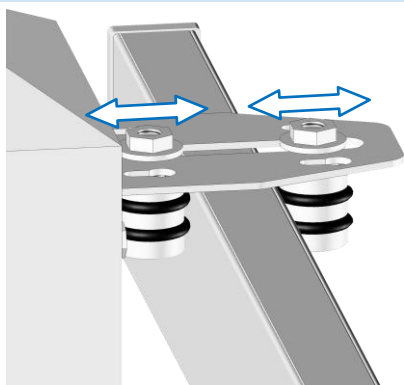
Install the gate guiding rail



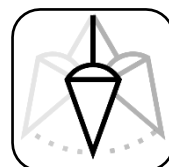
Adjusting the rollers of the top guide



Check the plumb of the gate

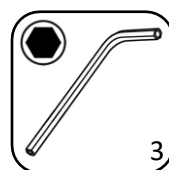
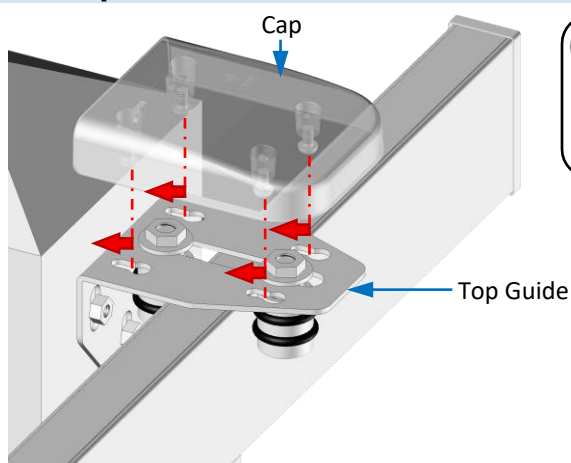


Adjust the rollers on the top guide so that the gate is plumb, then block them.



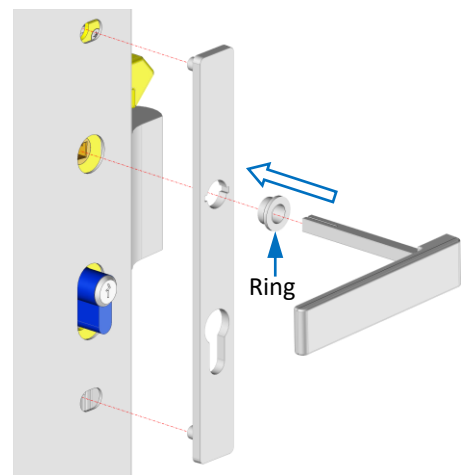
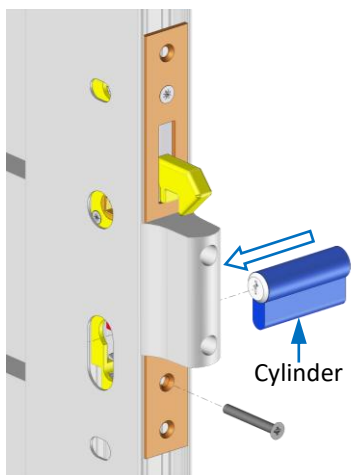
Fixing the cap

1. Install the 4 screws M6x10 mm supplied, under the cap.
2. Insert the screw heads into the holes in the top guide.
3. Press the cap against the post and tighten the screws.

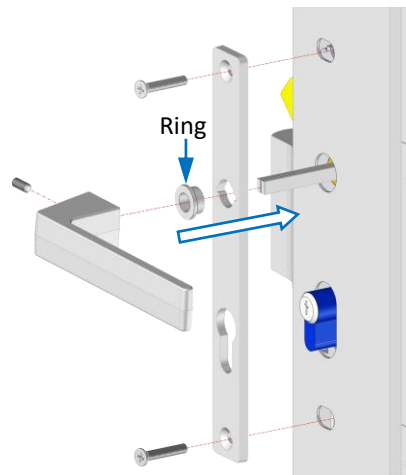


Assemble the cylinder and the handle assembly (manual gate)

The cylinder and handle assembly are supplied in the accessory package.



Outer side: Reduced handle



Inner side: Standard handle



Position and fix the bracket of the abut profile

Use M8 struck dowels or chemical seal with adapted screws (not supplied)

At the plumb the rail: 82 mm (motorized gate) or 57 mm (manual gate)

Install the abut profile against the bracket

Position the profile 15 mm

Post

Profile

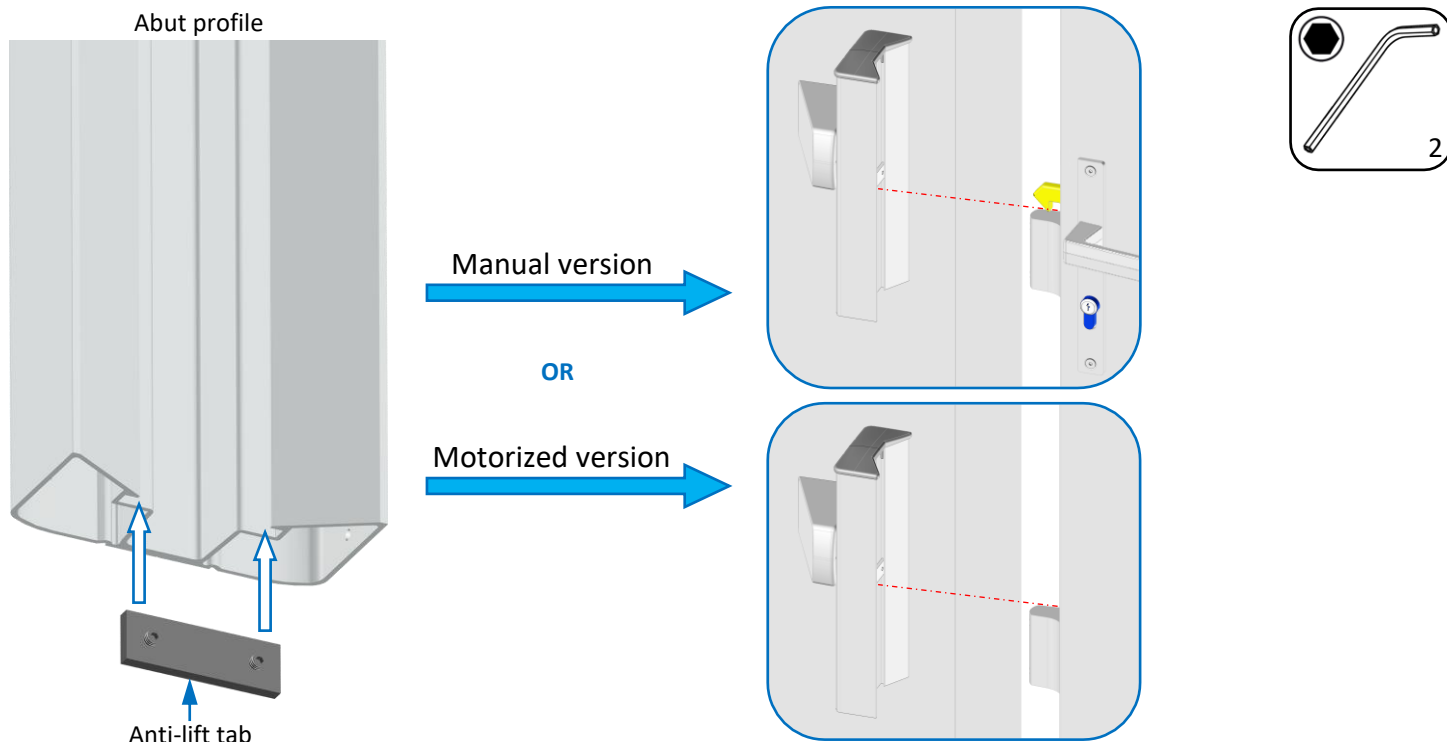
Check closure before tightening the nuts.

Close the cover

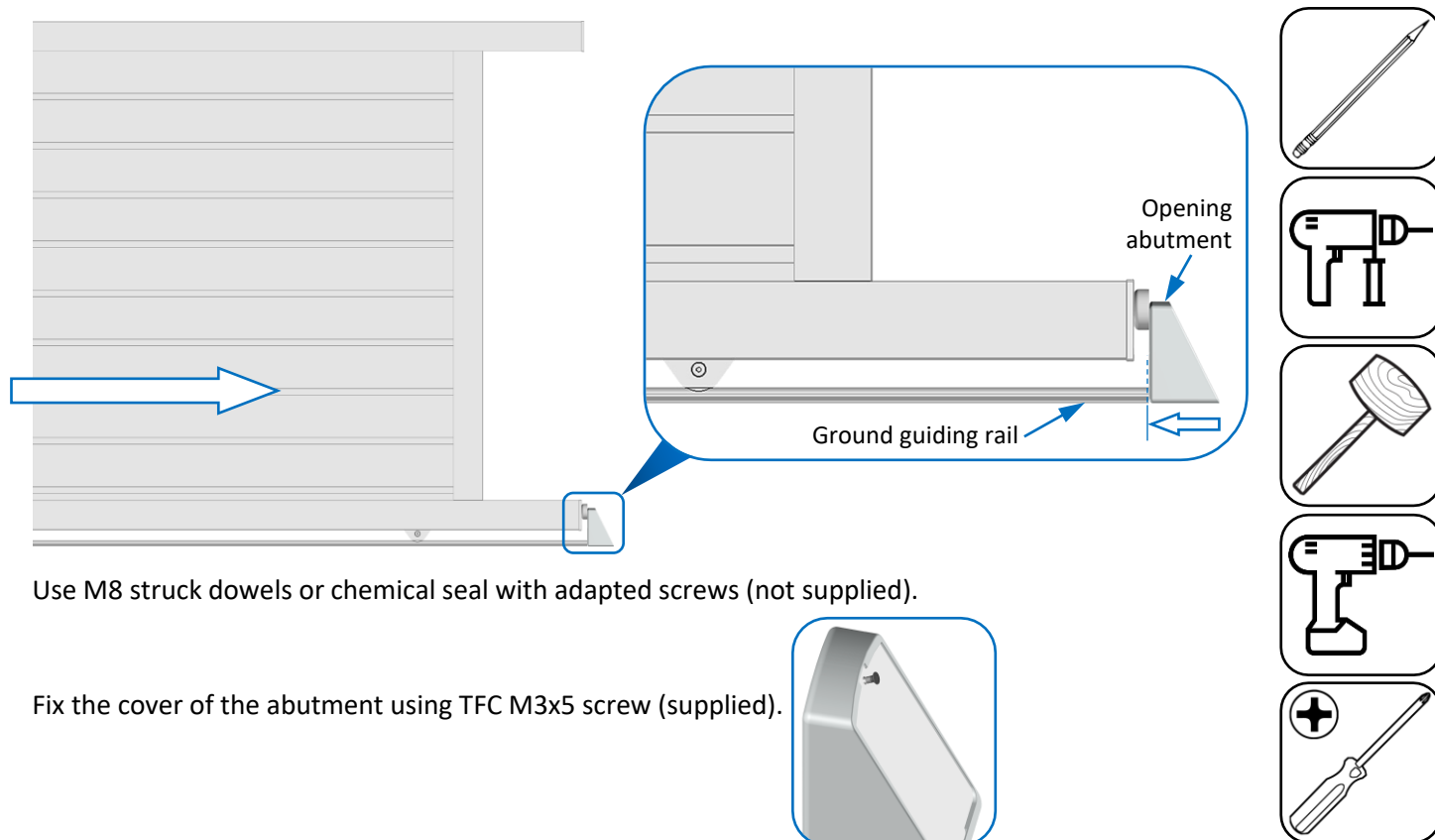
TFC M3x5 screw (supplied)

2 BHC M8x25 screws (supplied)

Insert and adjust the anti-lift tab



Install the opening abutment against the guide rail



If motorized version: Install the motorization

Refer to the installation instructions of the motors used, before fixing the gear rack.

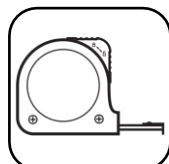
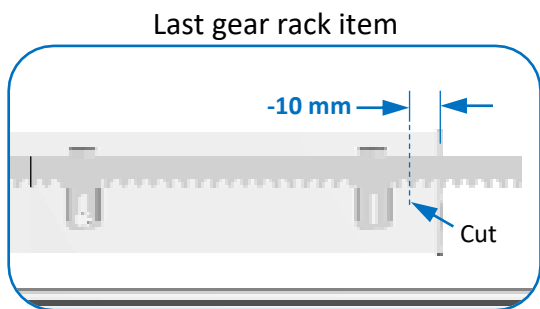
If openwork gate more than 20 mm with a SOMFY Elixo 500 3S io motor;

set the opening and closing speed parameters (P19 and P20) to 2.

Prepare and fix the gear rack

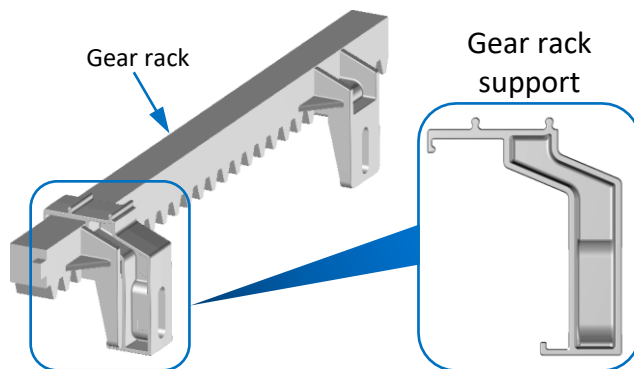
Cutting of the last gear rack:

Cut at **10 mm** from the end of the tail.

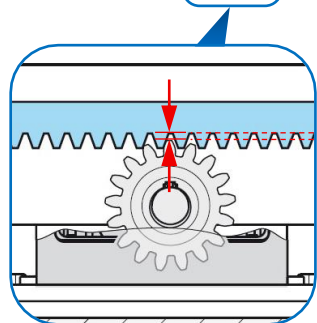
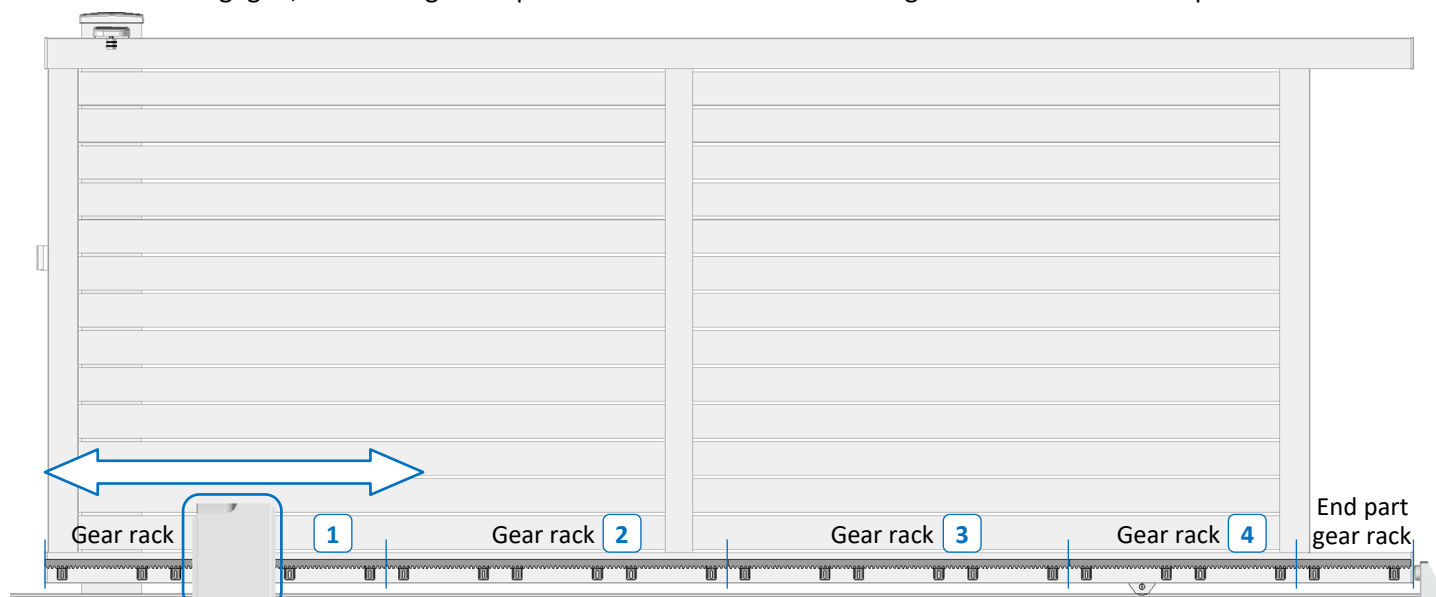


So invisible gear rack:

Clip support all along the gear rack.



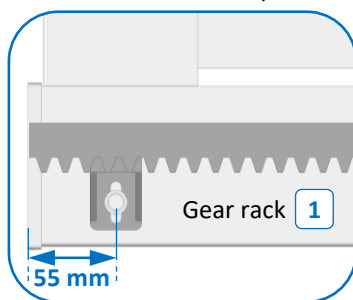
With motor disengaged; move the gate to position and secure the meshed gear racks on the wheel pinion.



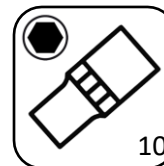
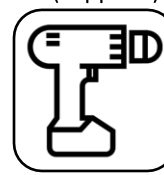
Set of 2 mm Gear rack/Pinion



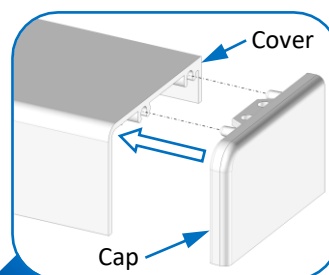
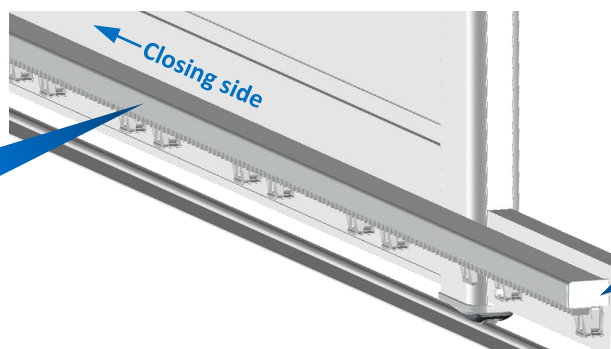
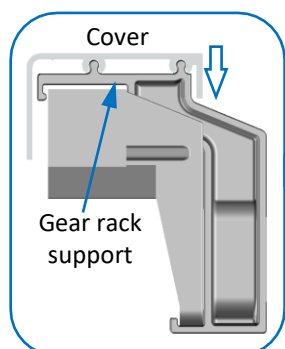
Sheet metal screw TH $\varnothing 6.3 \times 38$ + Washers + Nut covers (supplied)



Predrill $\varnothing 5$ (maximum depth 30 mm)

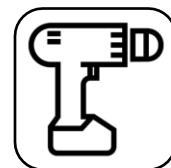
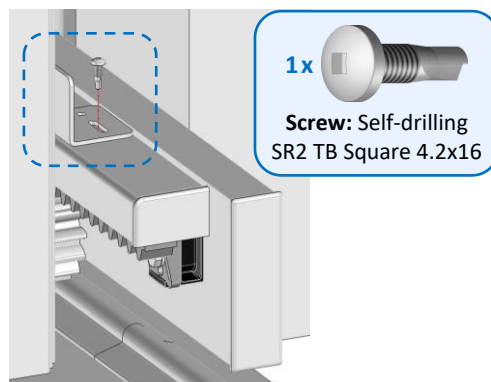
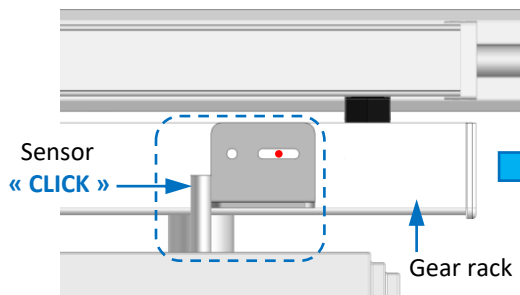


So invisible gear rack, mount the caps on the cover and clip it to the supports, without leaving any room for adjustment against the edge of the gear rack, closing side.

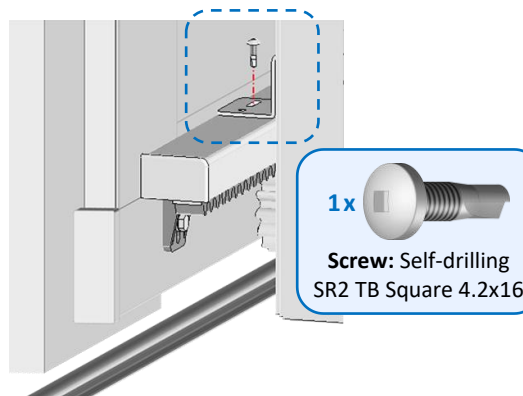
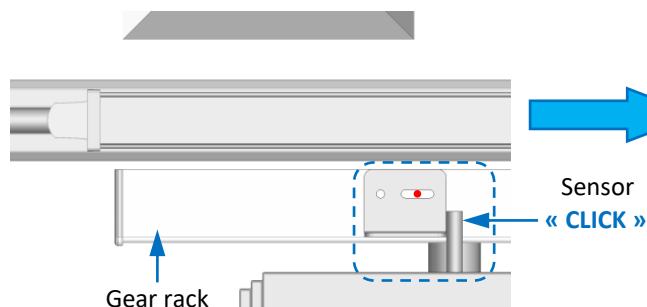


If operator with mechanical stops: Install the stops

1. Closed gate. Position the stop on the gear rack, behind and resting on the limit switch, until you hear the click.
2. Then fix the stop with a screw in the oblong hole.

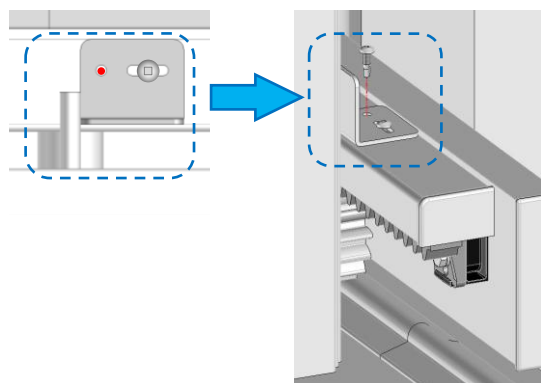


3. Open the gate completely. Position the stop on the gear rack, in front and resting on the limit switch, until you hear the click.
4. Then fix the stop with a screw in the oblong hole.



5. Engage the operator and test the operation of the gate.
→ Refer to the installation instructions of the motor.
Note: The gate must not be constrained on the stops.

6. If the adjustment is correct, lock the 2 stops with the 2nd screw.



and

