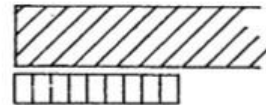
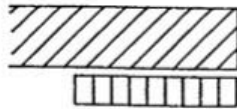


WALL-MOUNTED ROLLING GRILLE FITTED TO FLOOR

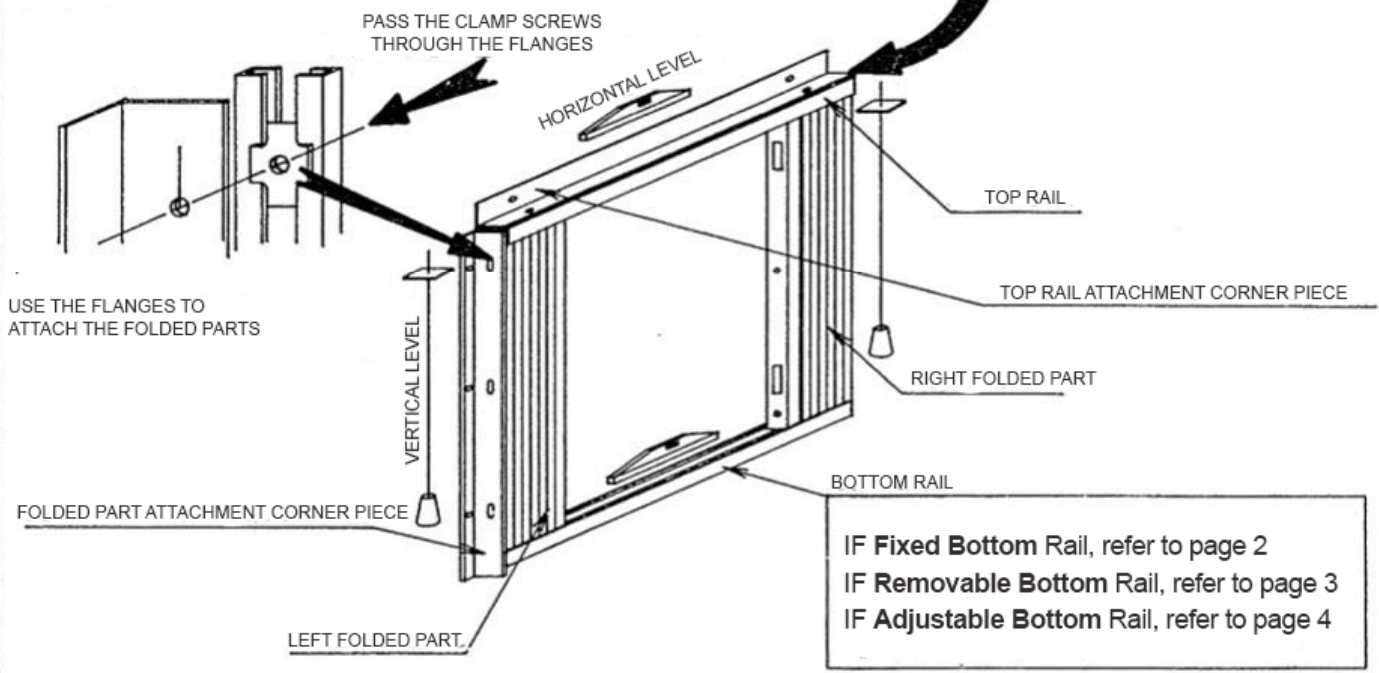


CAUTION

The Grille must be firmly attached to the wall where it is being installed. Once the installation is complete, **WELD** all of the accessible screw heads and nuts

CLEARANCE BETWEEN THE TOP OF THE BAR AND THE BOTTOM OF THE RAIL = 10 mm

FITTING INFORMATION

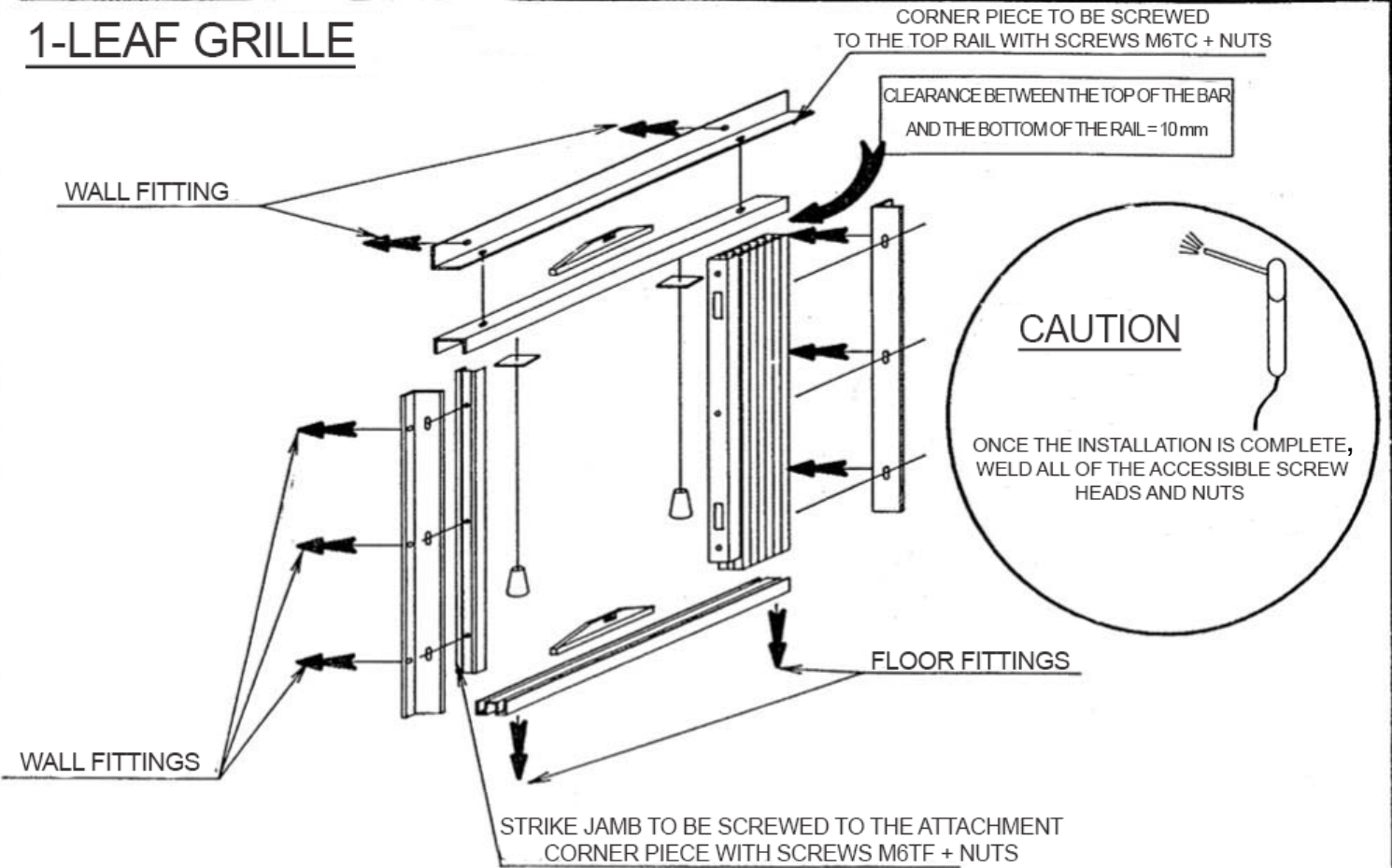


- 1) **INSERT** the **BOTTOM RAIL(S)** by wedging them together
- 2) **ATTACH** the **BOTTOM RAILS** to the floor, depending on the type (refer to pages 2-3-4) ensuring they are level and adding shims if necessary
- 3) **ATTACH** the **FOLDED PART(S)** to the wall ensuring they are plumb, using the attachment corner pieces bolted to the flanges
- 4) **INSTALL** and **ATTACH** the **TOP RAIL** to the wall, ensuring it is level by using the corner piece provided, and maintaining a clearance of 10 mm between the top of the bars and the bottom of the bottom rail

CAUTION
WELD ALL OF THE ACCESSIBLE SCREW HEADS AND NUTS

ASSEMBLING THE RAILS WITH A **FIXED BOTTOM RAIL**

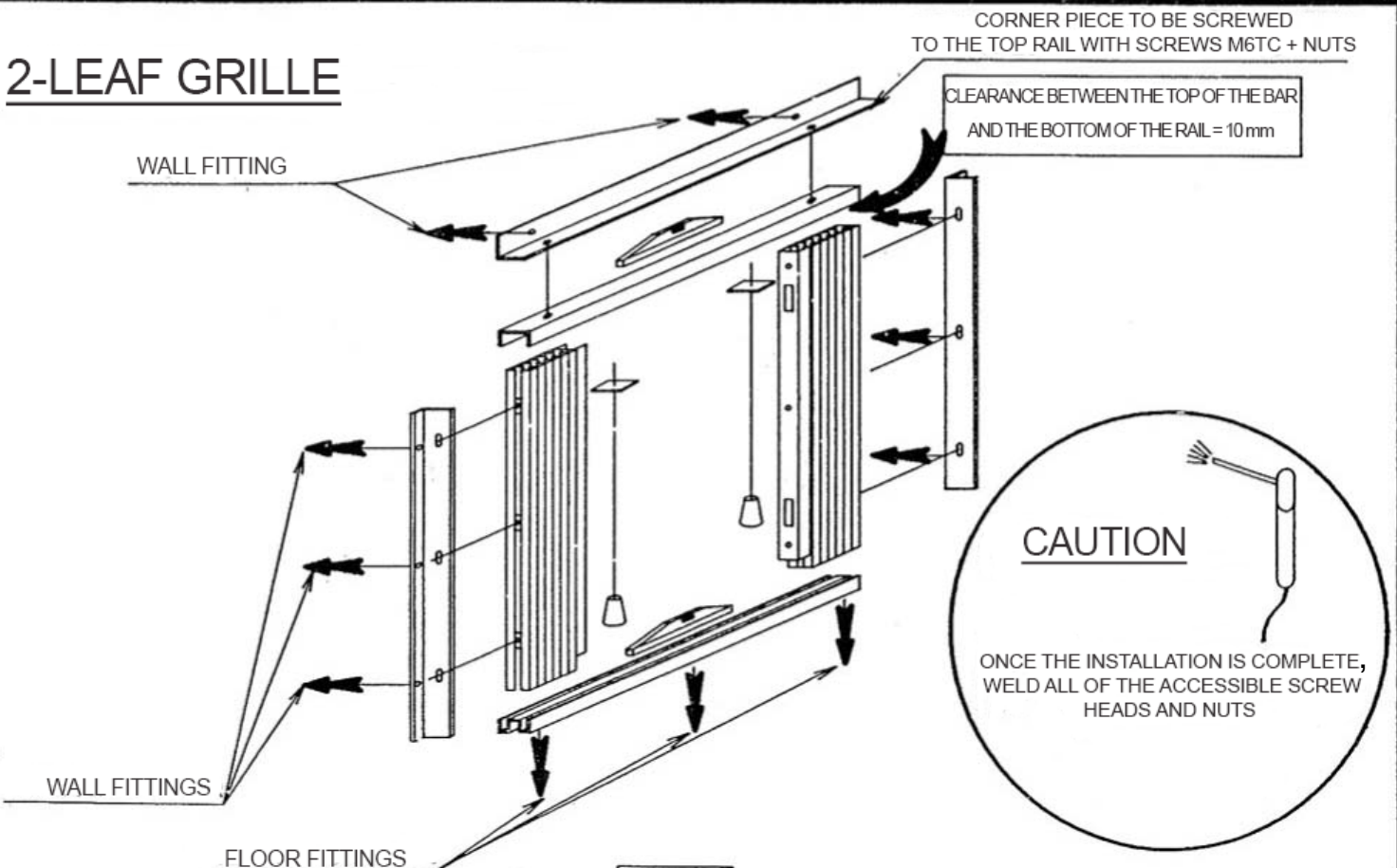
1-LEAF GRILLE



CAUTION

ONCE THE INSTALLATION IS COMPLETE, WELD ALL OF THE ACCESSIBLE SCREW HEADS AND NUTS

2-LEAF GRILLE

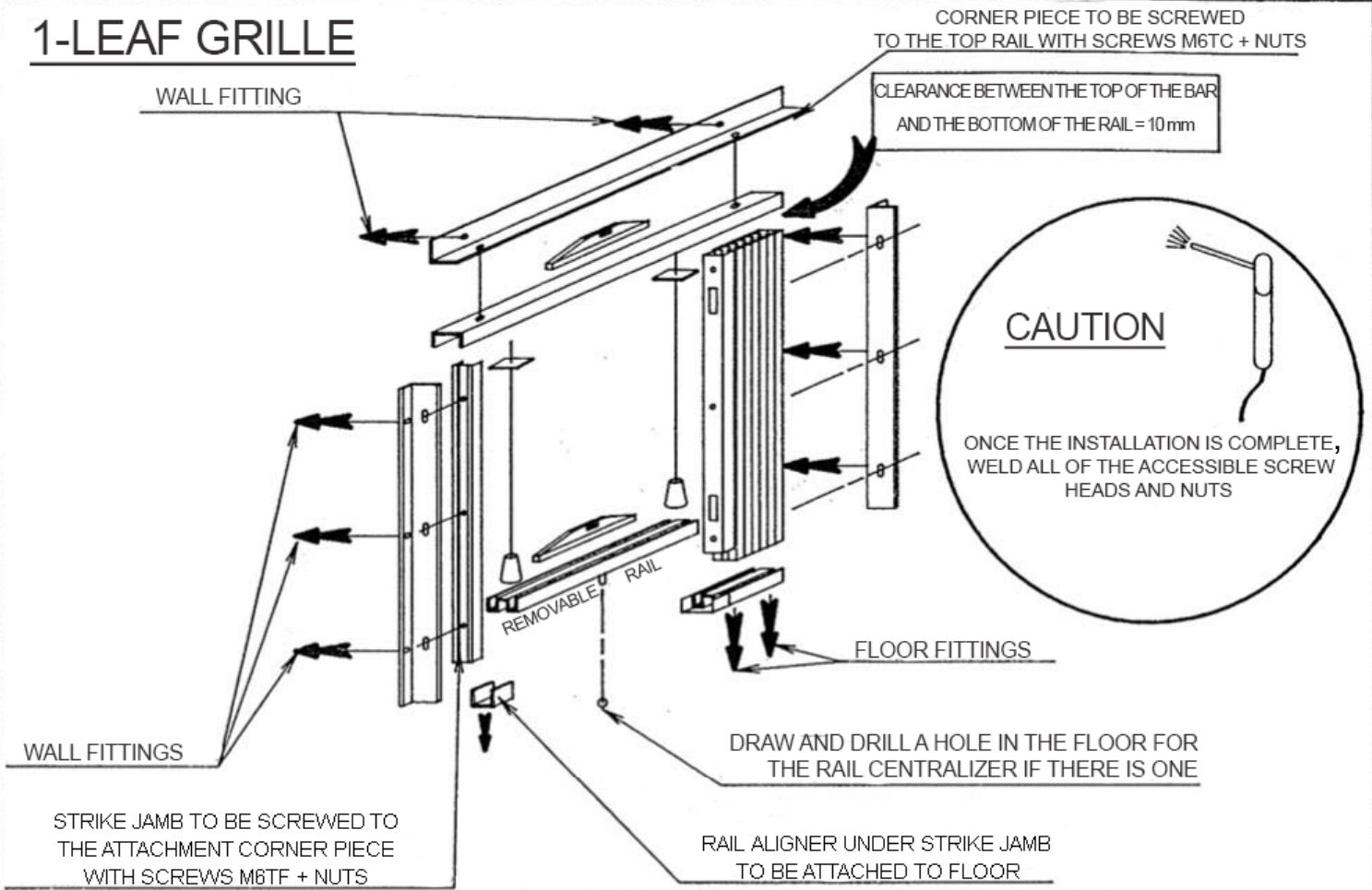


CAUTION

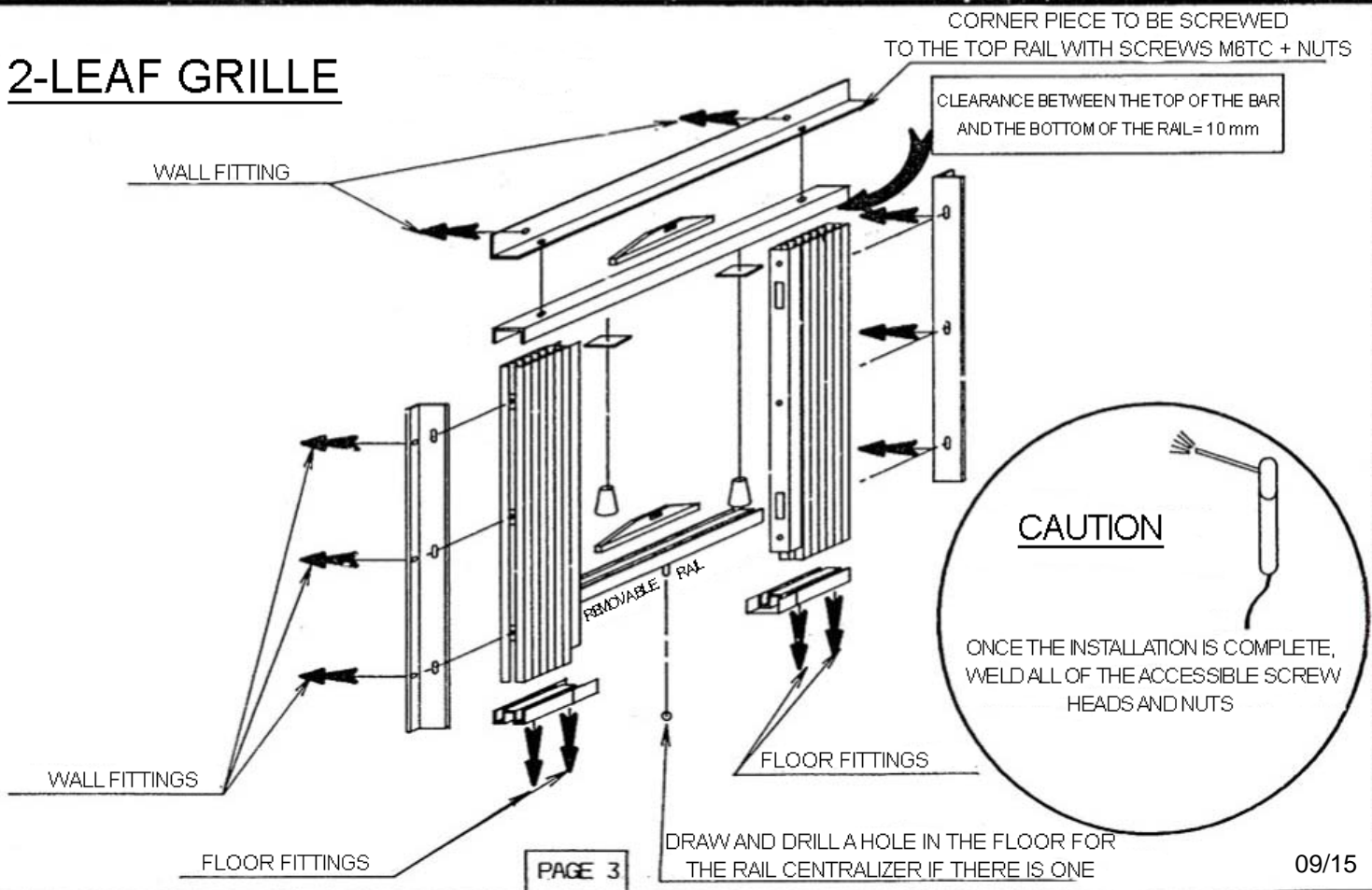
ONCE THE INSTALLATION IS COMPLETE, WELD ALL OF THE ACCESSIBLE SCREW HEADS AND NUTS

ASSEMBLING THE RAILS WITH A REMOVABLE BOTTOM RAIL

1-LEAF GRILLE

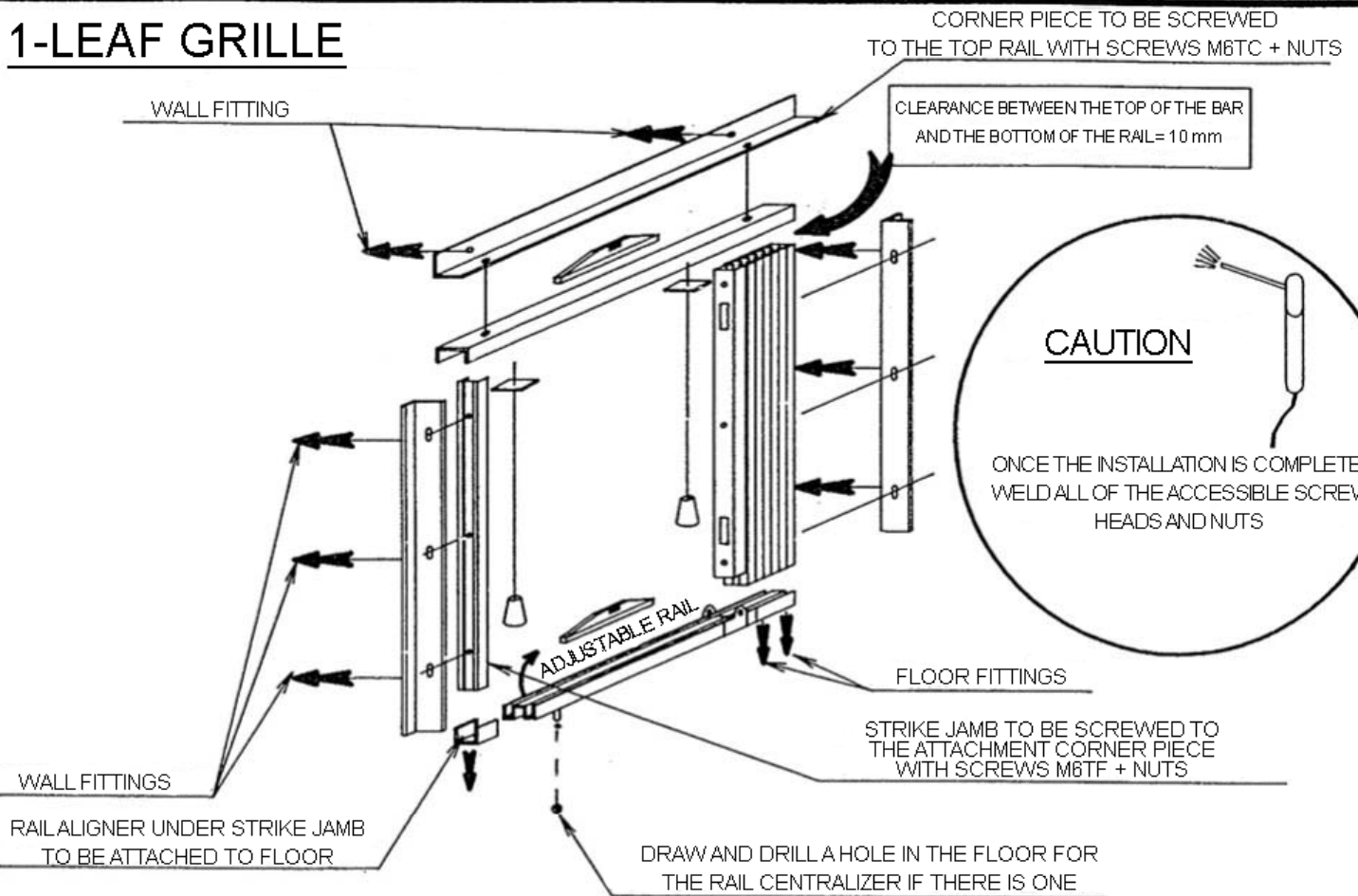


2-LEAF GRILLE



ASSEMBLING THE RAILS WITH AN ADJUSTABLE BOTTOM RAIL

1-LEAF GRILLE



2-LEAF GRILLE

