

# DELIAL INSTALLATION MANUAL

2510

## INTER-WALL ROLLING GRILLE FITTED TO FLOOR

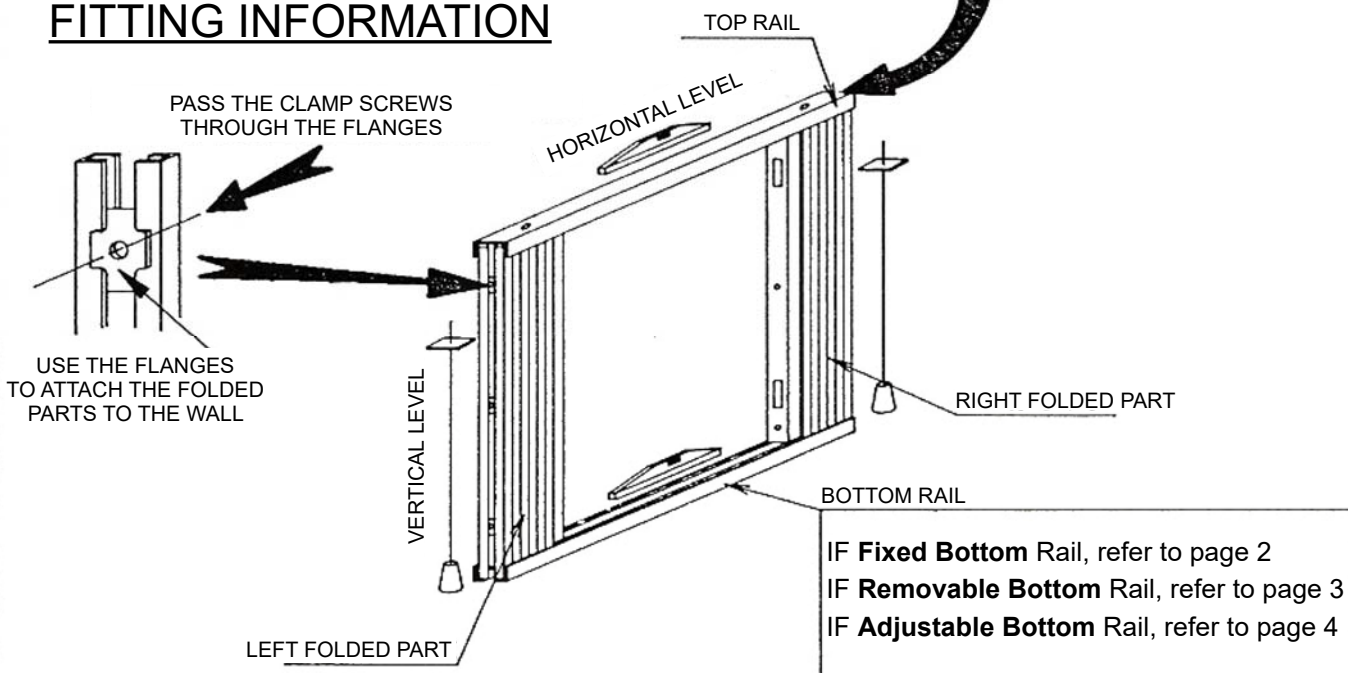


### CAUTION

The Grille must be firmly attached to the wall where it is being inserted  
Once the installation is complete, **WELD** all of the accessible screw heads and nuts

CLEARANCE BETWEEN THE TOP OF THE BAR AND THE BOTTOM OF THE RAIL = 10 mm

### FITTING INFORMATION



- 1) **INSTALL** the **BOTTOM RAIL(S)** by wedging them together
- 2) **ATTACH** the **BOTTOM RAILS** to the floor, depending on the type (refer to pages 2-3-4) ensuring they are level and adding shims if necessary
- 3) **INSTALL** the **FOLDED PART** on the bottom rail while keeping them both tilted, position the top rail above, then straighten the entire unit in the wall
- 4) **ATTACH** the **TOP RAIL** to the wall, ensuring it is level and maintaining a clearance of 10 mm between the top of the bars and the bottom of the rail
- 5) **ATTACH** the **FOLDED PARTS** ensuring they are plumb to the wall by closing the grille.

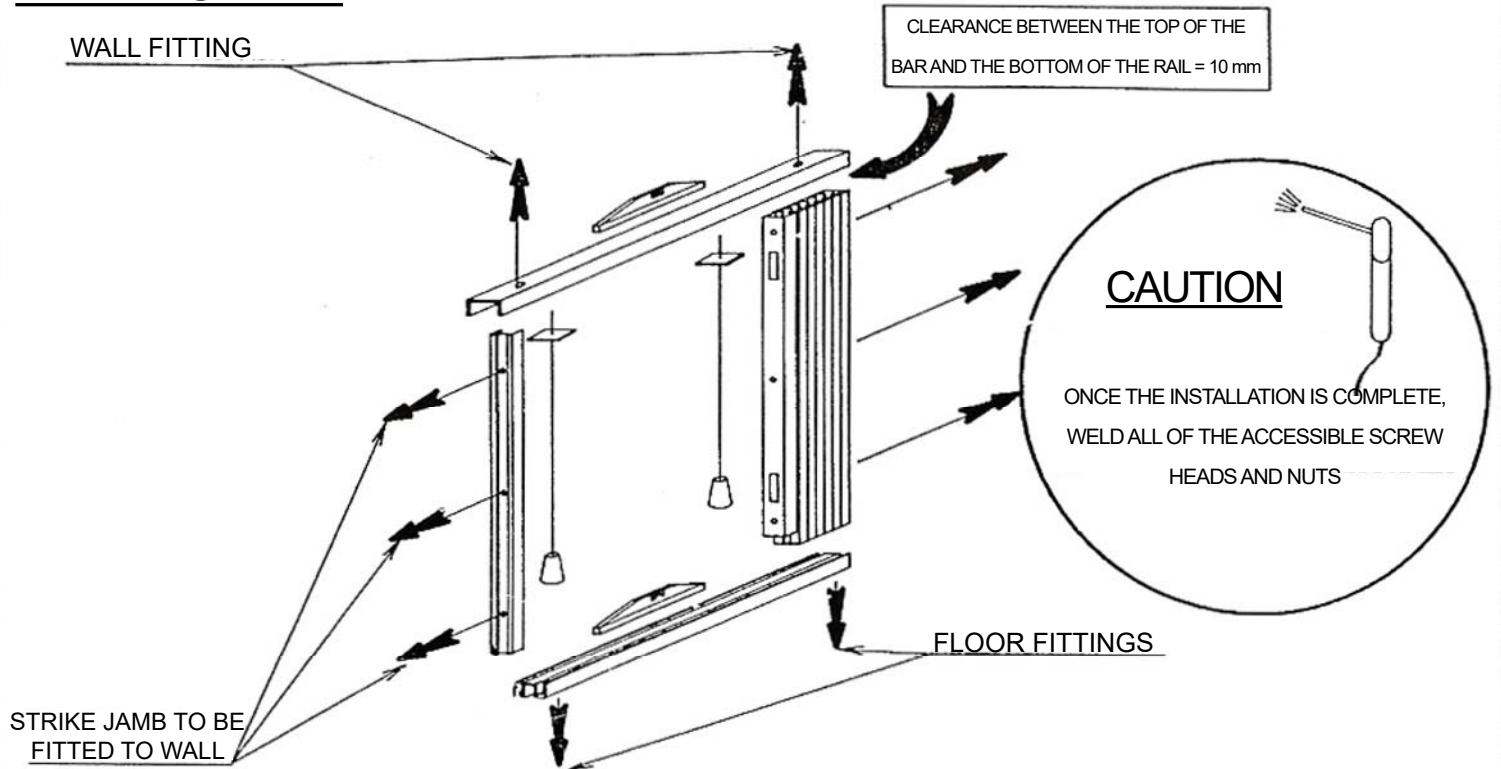
### CAUTION

**WELD ALL OF THE ACCESSIBLE SCREW HEADS AND NUTS**

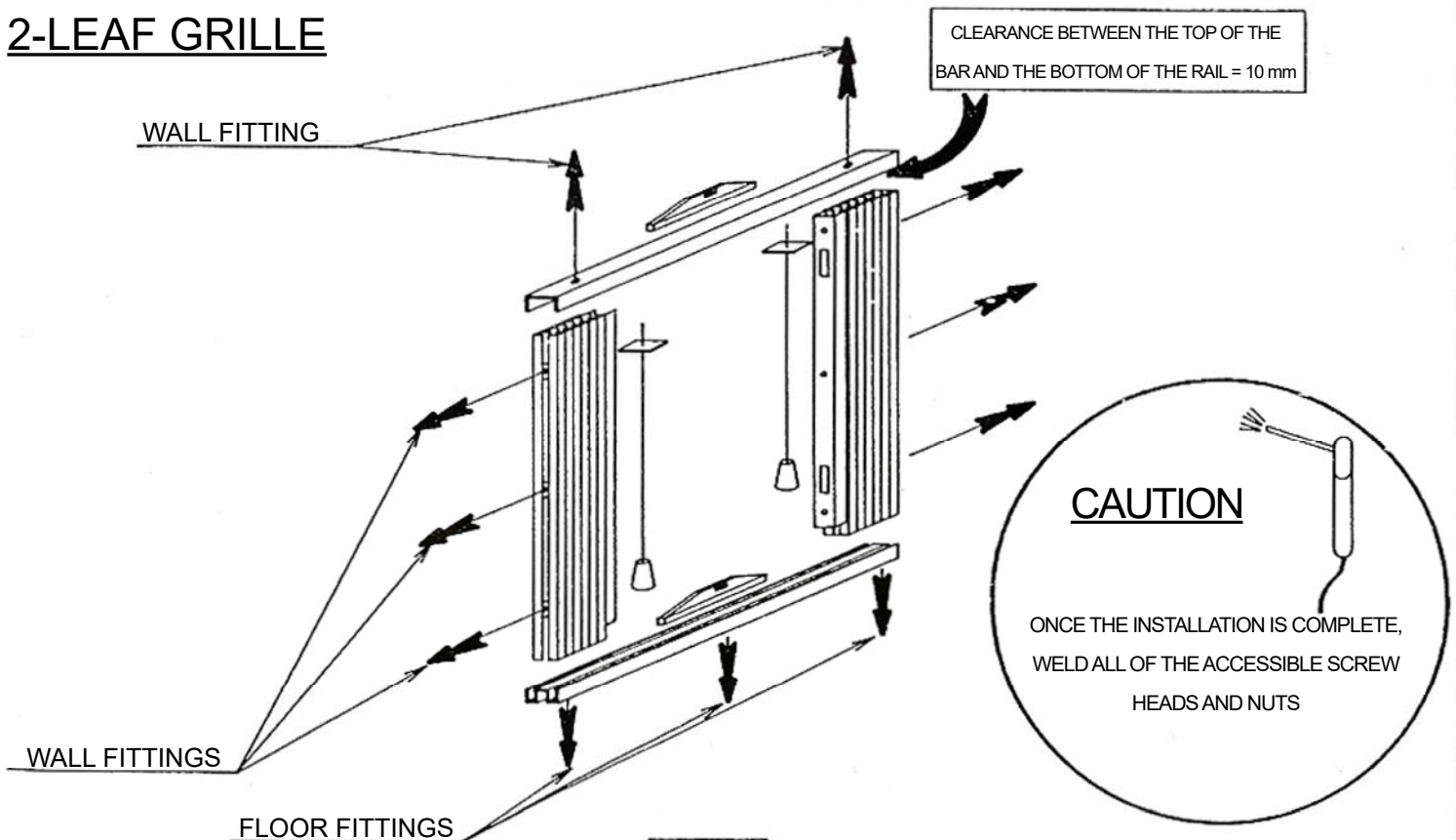
PAGE 1

# ASSEMBLING THE RAILS WITH A FIXED BOTTOM RAIL

## 1-LEAF GRILLE

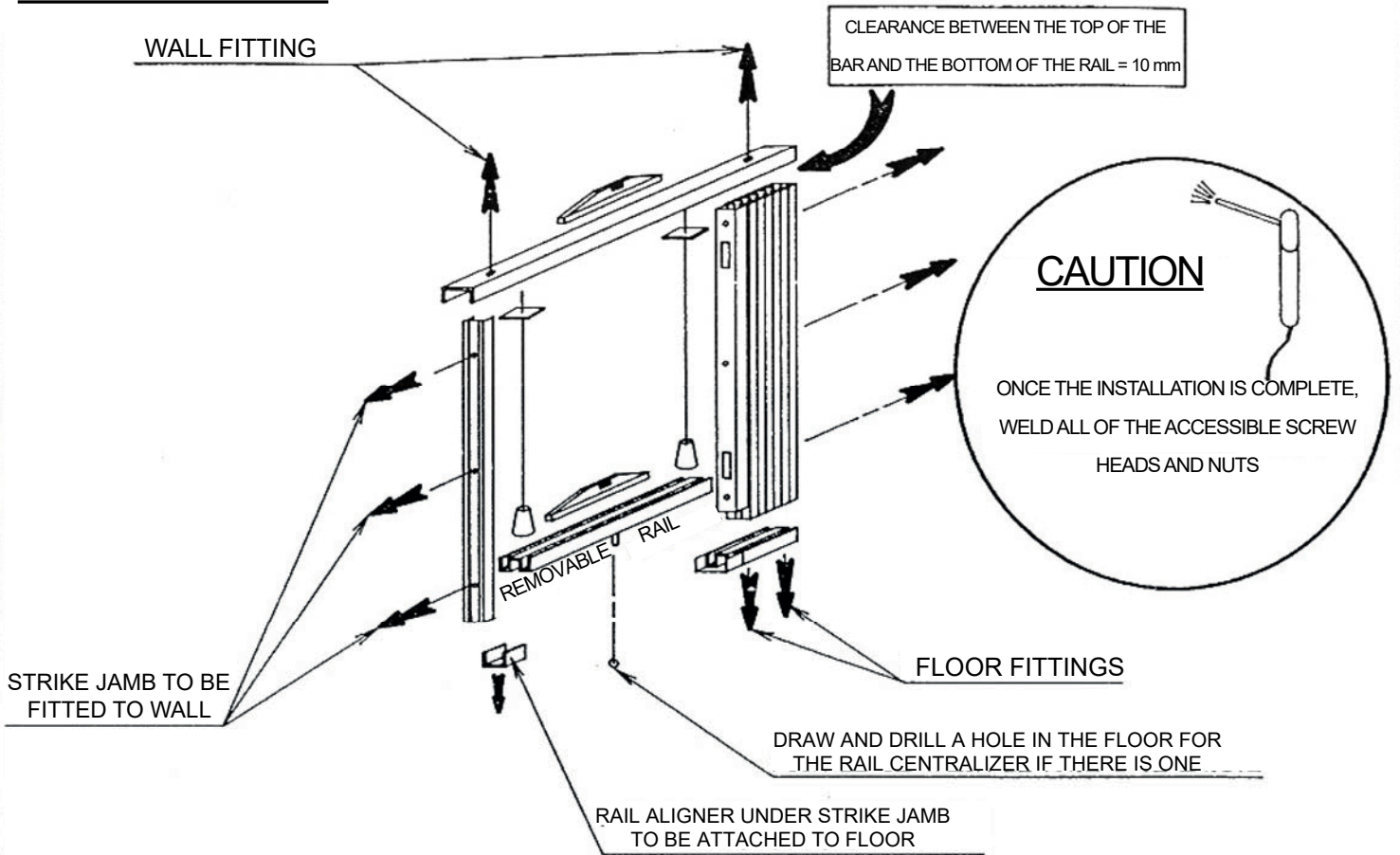


## 2-LEAF GRILLE

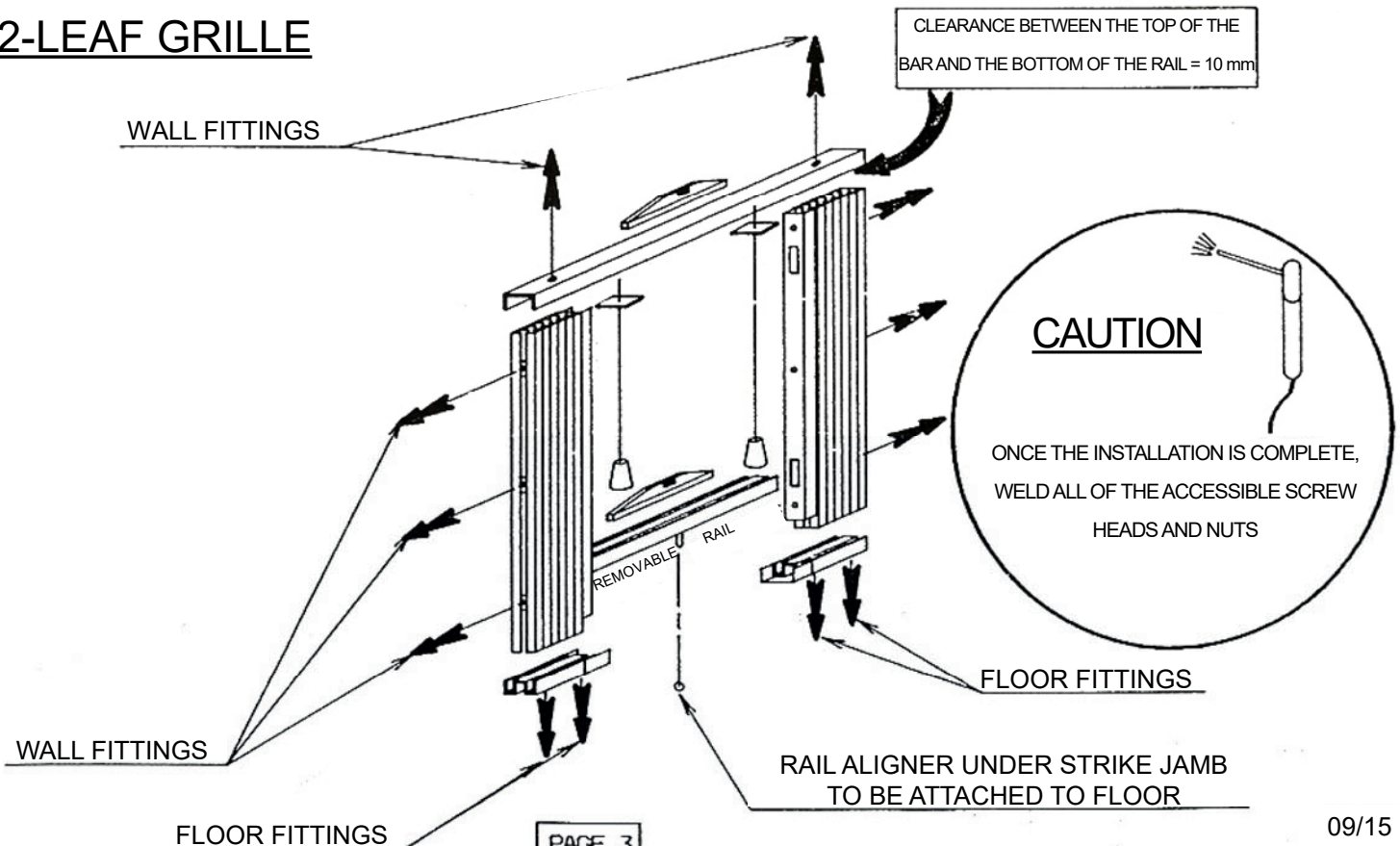


ASSEMBLING THE RAILS WITH A REMOVABLE BOTTOM RAIL

1-LEAF GRILLE

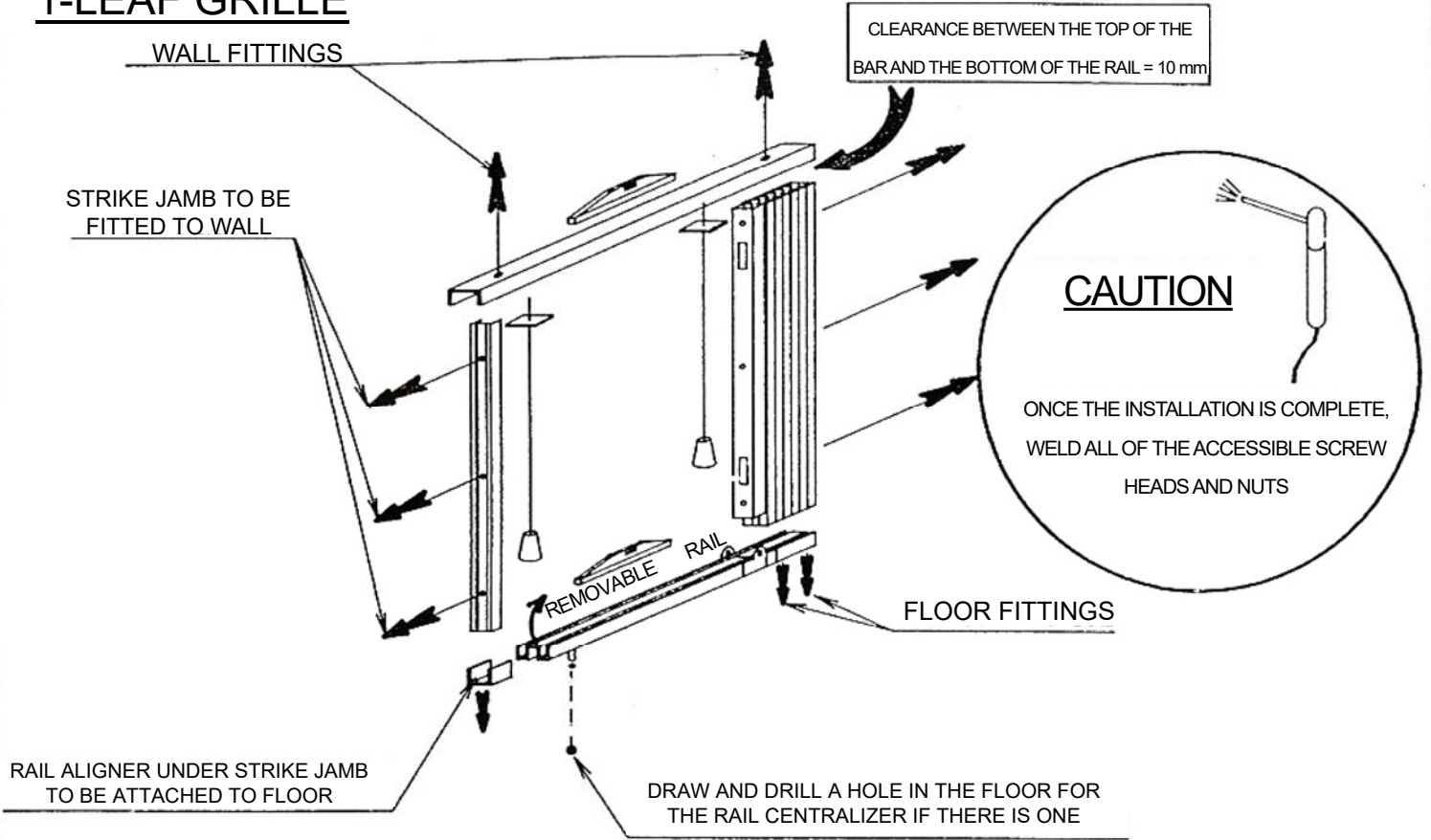


2-LEAF GRILLE



ASSEMBLING THE RAILS WITH AN ADJUSTABLE BOTTOM RAIL

1-LEAF GRILLE



2-LEAF GRILLE

