

Installation manual

No. 7062

09/15

MURAX VISION SHUTTER

Installing the shutter

supplement to the Murax shutter installation manual



Steel hooks must be used for the upper section of the "Vision" shutter in the following cases:

- Complete Murax Vision Shutter.
- Mix of parts in upper section of shutter.

(Document reserved for installers)

Contents

Equipment required for installation.....	p.2
Installation instructions.....	p.3
Installing the guiding rails and the axle	refer to installation manual provided
Connecting the operator and the controls	refer to installation manual provided
Shutter installation principle.....	p.4
Checks to be performed	p.5
Installing the Murax Vision shutter.....	p.6
Setting the end positions	refer to installation manual provided
Release mechanism handle.....	refer to installation manual provided
Finishes.....	p.10
In case of problems maneuvering the shutter	p.10
Emergency operation	refer to installation manual provided

Equipment required for installation

- The same equipment as recommended in the installation manual provided.

Installation instructions

CAUTION!



To ensure that this product is assembled, used and maintained in complete safety, it is important to follow the instructions provided in this document.
For everyone's safety, please observe the precautionary measures below



- * Before beginning the assembly, read this manual carefully.
- * This closure must be installed by a professional technician.
- * All the parts delivered are specifically sized for this product. Adding and/or using other parts may be detrimental to safety and may affect the product's warranty.
- * Any modification or improvement of this closure must be compliant with the standard EN 13241-1. In this case, a "modification/transformation" file must be created by the installer as per the standard EN 12635 annex C.
- * Considerable force is exerted in the case of shutters or grilles, which is compensated by the torsion springs or the spring boxes. This work must therefore be carried out in accordance with the safety instructions. Use the appropriate tools to install these products. Ensure that the work is carried out on a stable floor.
- * Ensure that the assembly area is adequately lit, clear, clean and clearly marked out.
- * Ensure that no other people are present at the assembly site apart from the installers. Non-authorized persons (children for example!) who are present at the site risk injury during assembly.
- * All the components of this closure must be installed in compliance with the installation instructions provided in this manual.
- * All the requirements of the standards EN 13241-1 must be met and verified if necessary.

Max. locking torque:

- Assembly screw: **10 Nm**
- Shutter clip screw: **12 Nm**

Min. working load per attachment point:

- Plates: **300 daN**
- Guiding rails: **40 daN**

Please note: If installing on an iron structure, (and if you are permitted to weld the guiding rails and plates to the building), a cord of approximately 50 mm must be attached to each side of the guiding rail, at roughly 800 mm apart.

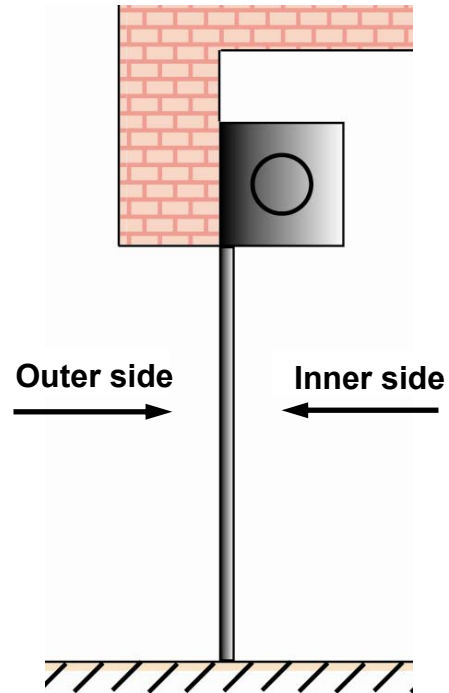
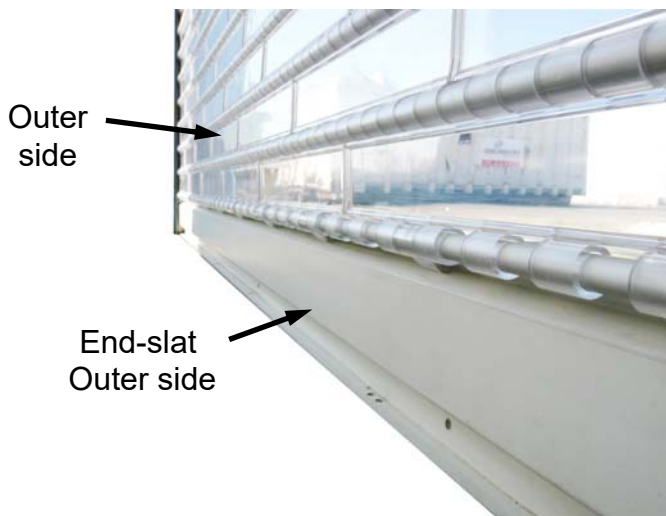
Shutter installation principle

Rolling direction

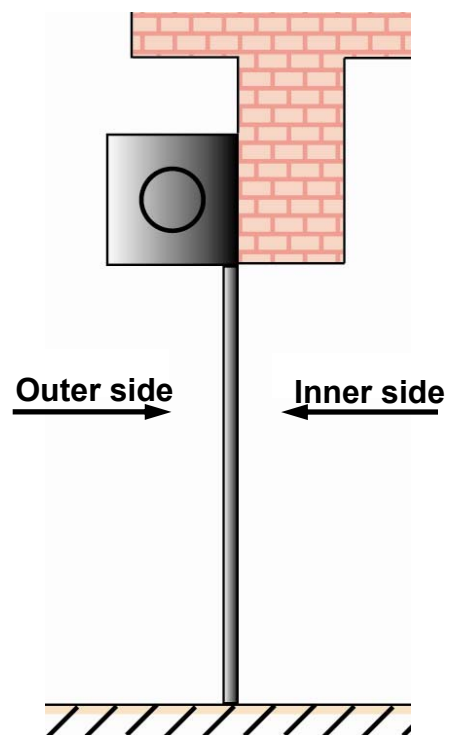
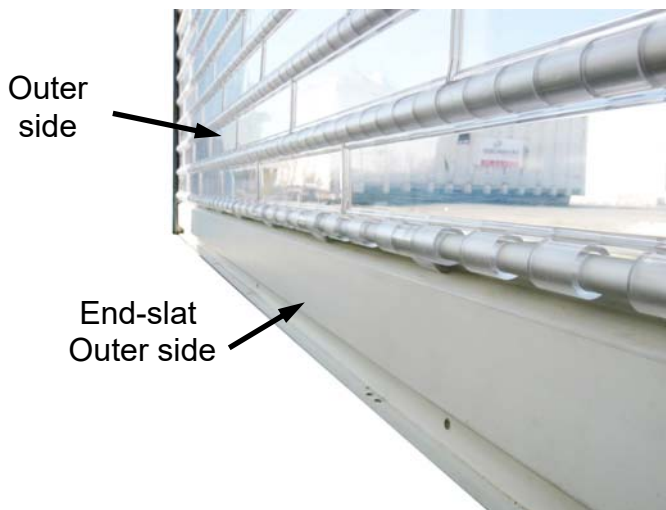
MURAX VISION SHUTTER

The shutter always requires 3 roller slats in the upper section

Inner rolling (axle facing inwards)



Outer rolling (axle facing outwards)



Checks to be performed

When installing the shutter

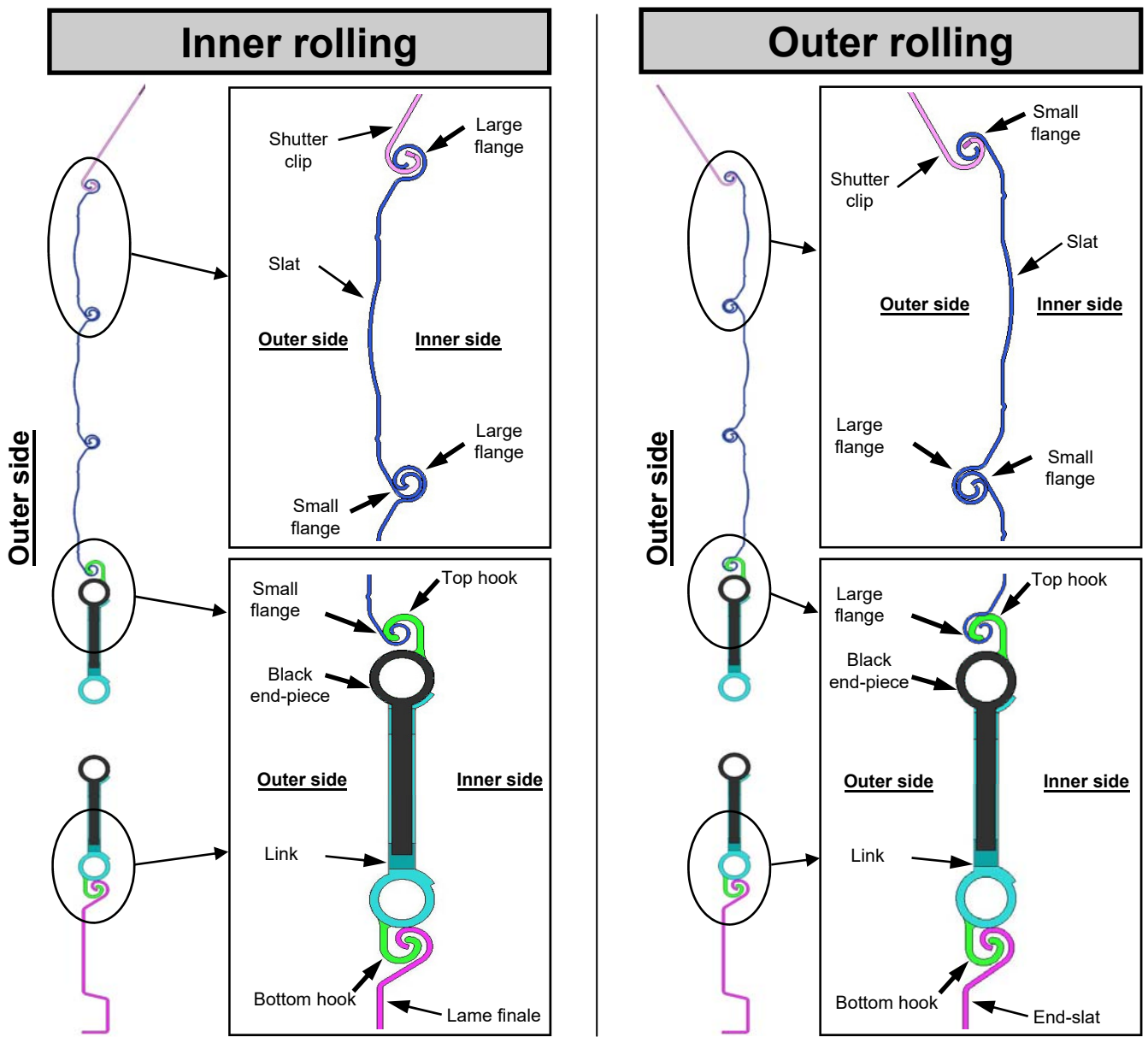
(Completely transparent or mixed with galvanized slats)

- Check that the direction of the steel flanges is in accordance with the rolling direction to facilitate the flow of water (refer to diagram).
- Check the hook direction (refer to diagram).

! Steel hooks must be used for the upper section of the "Vision" shutter in the following cases:

- Complete Murax Vision Shutter.
- Mix of parts in upper section of shutter.

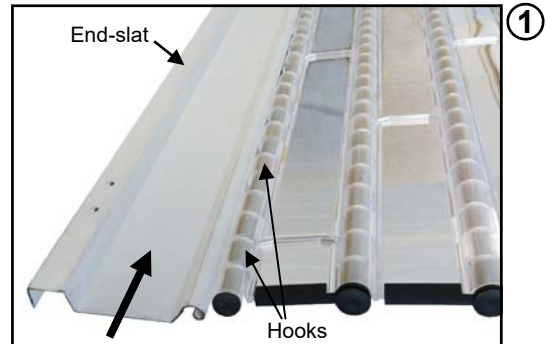
- The black end-pieces attached to the end links (only in the case of intersecting links) are always positioned toward the bottom (refer to diagram).



Installing the Murax Vision shutter

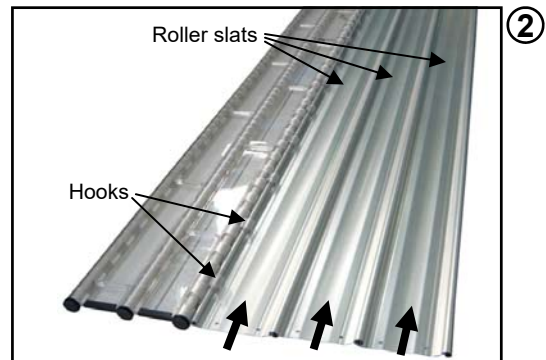
⚠ To avoid leaving greasy marks on the links, we recommend that you wear gloves.

1 - Unroll the shutter on the floor on a clean, non-abrasive support and insert the end-slat into the hooks at the bottom. ①

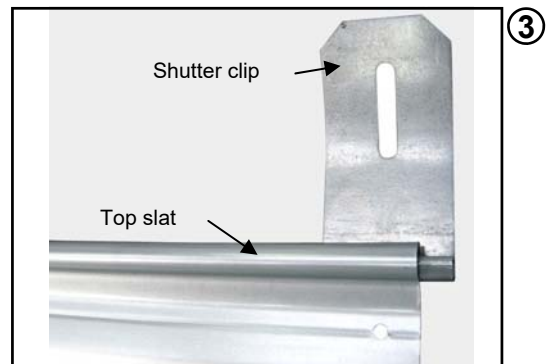


2 - Insert the 3 roller slats in the top hooks, observing the rolling direction (refer to P.5). ②

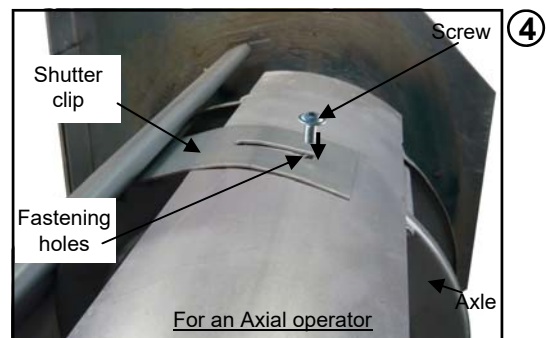
⚠ Steel hooks must be used in the upper section of the "Vision" shutter in the following cases:
 - Complete Murax Vision Shutter.
 - Mix of parts in upper section of shutter.



3 - Insert the shutter clips into the final top slat. ③

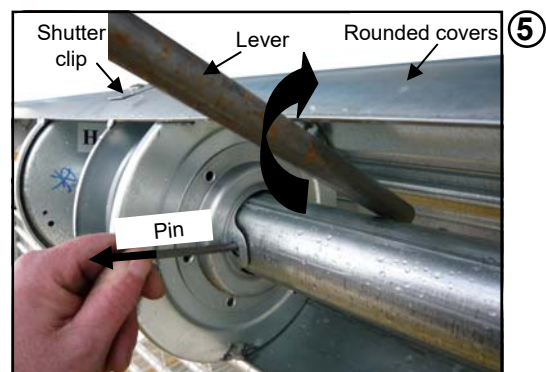


4 - Attach the shutter with the clips on the axle in the fastening holes for this purpose, using the screws provided. It is possible to use a lifting device to raise the shutter, ④



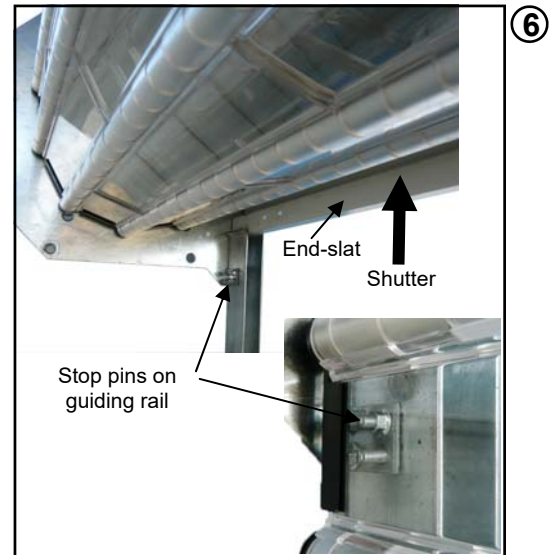
⚠ Never unpin the spring-loaded shaft when the shutter is not properly attached and suspended.

5 - Remove the spring spool pins by pressing on the axle and the rounded cover with a lever as shown opposite (the pressure applied to the lever should be in the descent direction). ⑤

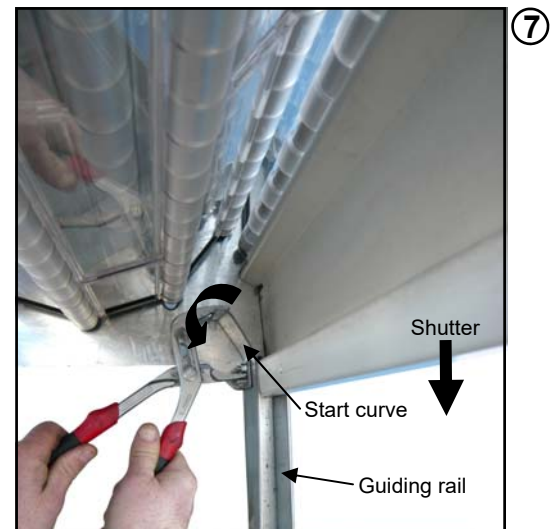


6 - Roll the shutter and raise it up to the start curves, ensuring that it does not rub against the stop pins on the guiding rails.

Insert the end-slat into the guiding rails. ⑥

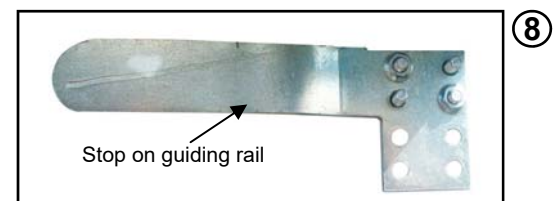


7 - Open the right- and left-hand start curves. ⑦

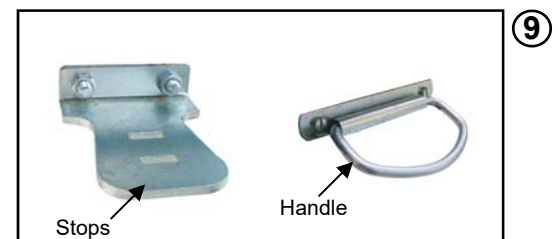


8 - Lower the shutter in the guiding rails. ⑦

9 - Install the stops on the guiding rails on the pins and attach them using the M5 nuts provided. ⑧




10 - Install the stops and the handle on the end-slat. ⑨



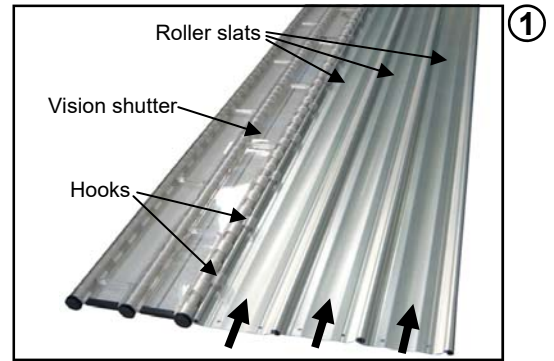
Alternative installation technique

1 - Insert the 3 roller slats in the top hooks, observing the rolling direction (refer to P.5).^①

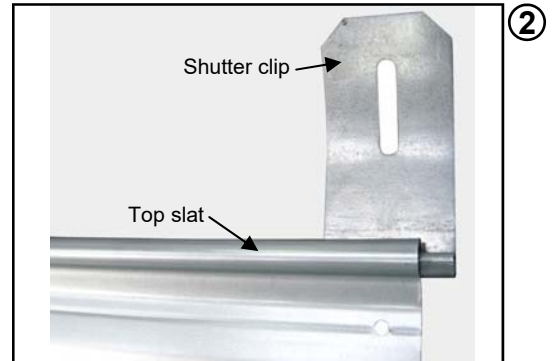


Steel hooks must be used in the upper section of the "Vision" shutter in the following cases:


- Complete Murax Vision Shutter.
- Mix of parts in upper section of shutter.



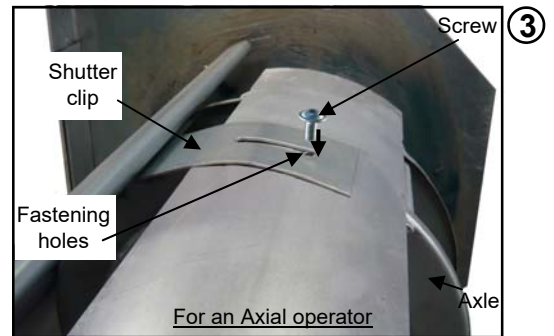
2 - Insert the shutter clips into the final top slat.^②



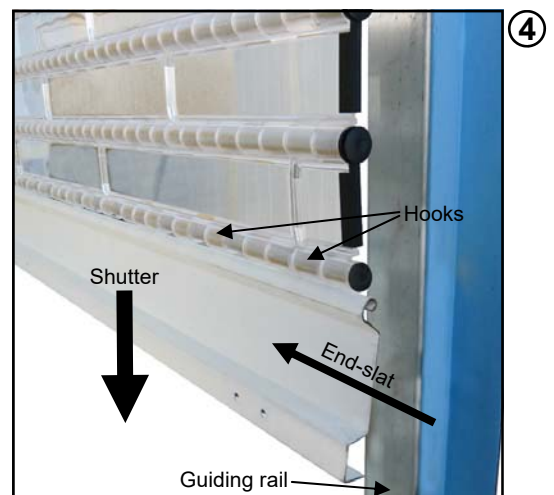
3 - Raise the rolled shutter up to the axle using hoists, winches or an alternative lifting device.



Ensure that the shutter is protected (with a cardboard box for example) to avoid any potential scratches.



4 - Position the roller slats on the axle. Slide each clip into place until it is opposite its corresponding hole and attach them with the screws provided in the accessory pack.^③

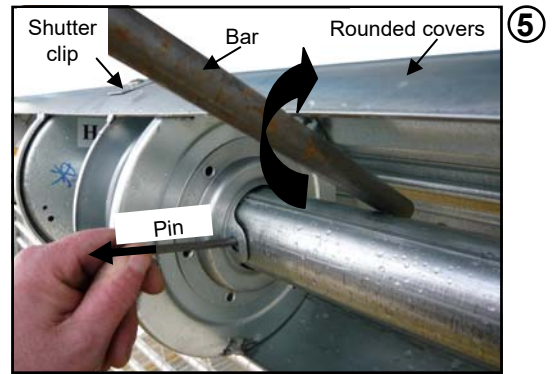


5 - Gently unroll the shutter, letting it hang outside of the guiding rails.^④

6 - Insert the end-slat into the bottom hooks.^④

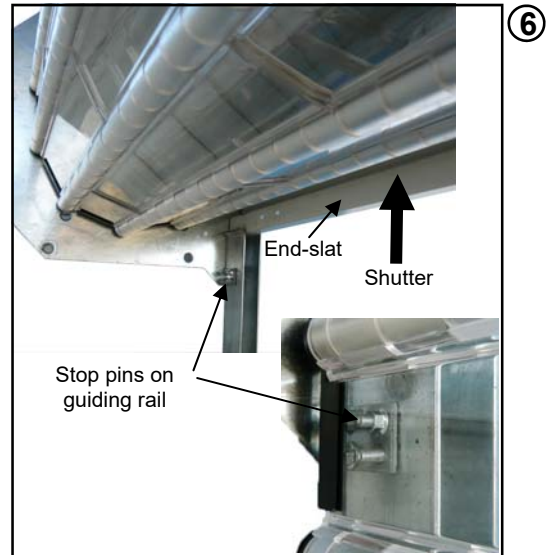
⚠ Never unpin the spring-loaded shaft when the shutter is not properly attached and suspended.

7 - Remove the spring spool pins by pressing on the axle and the rounded cover with a lever as shown opposite (the pressure applied to the lever should be in the descent direction).^⑤

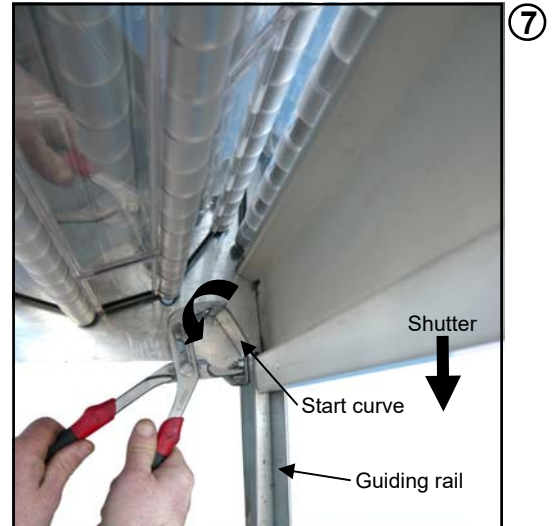


8 - Roll the shutter and lift it up to the start curves, ensuring that it does not rub against the stop pins on the guiding rail. Insert the end-slat into the guiding rails.^⑥

⚠ During manual operation or if the operator is disengaged, ensure that the shutter is immobilized at this level because the springs will remain under tension (using the c-clamps or cords for example).

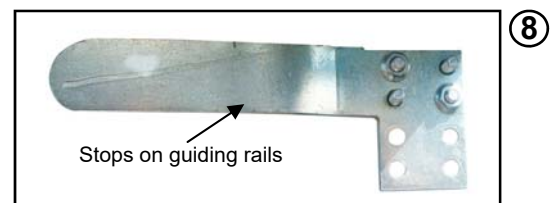


9 - Open the right- and left-hand start curves.^⑦

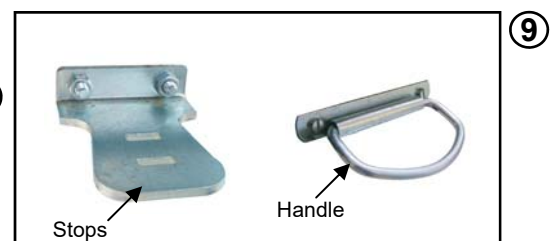


10 - Lower the shutter in the guiding rails.^⑦

11 - Install the stops on the guiding rails on the pins and attach them using the M5 nuts provided.^⑧

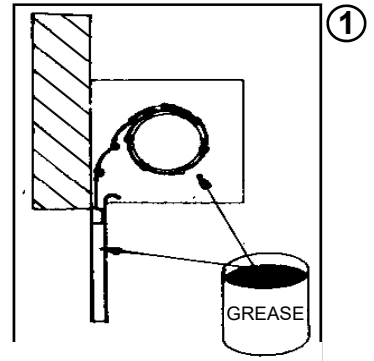


12 - Install the stops and the handle on the end-slat.^⑨



Finishes

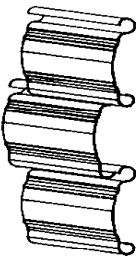
- 1 - It is essential to grease the bottom of the guiding rails and the inside of the winding plates. It is preferable to use white grease. ①
- 2 - Use window cleaner and a lint-free cloth (Microfiber cloth/paper towel) to clean the links.



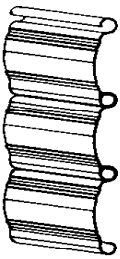
In case of problems maneuvering the shutter

For safety reasons, once the anti-fall guard has been activated, it is only possible to open the shutter. Repairs must only be carried out by trained installers.

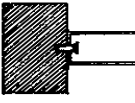
If the shutter is crooked when moving up and down




NO



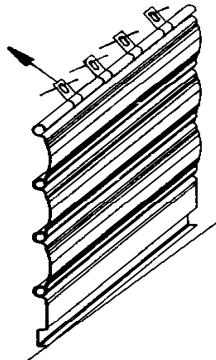
YES



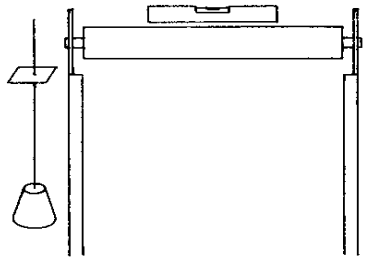
NO



YES



Remove any blockages from inside the guiding rails



Check that the guiding rails are correctly aligned and that the axle is perfectly horizontal.

Roll up the shutter from the lowest side using the clip apertures provided for this purpose