

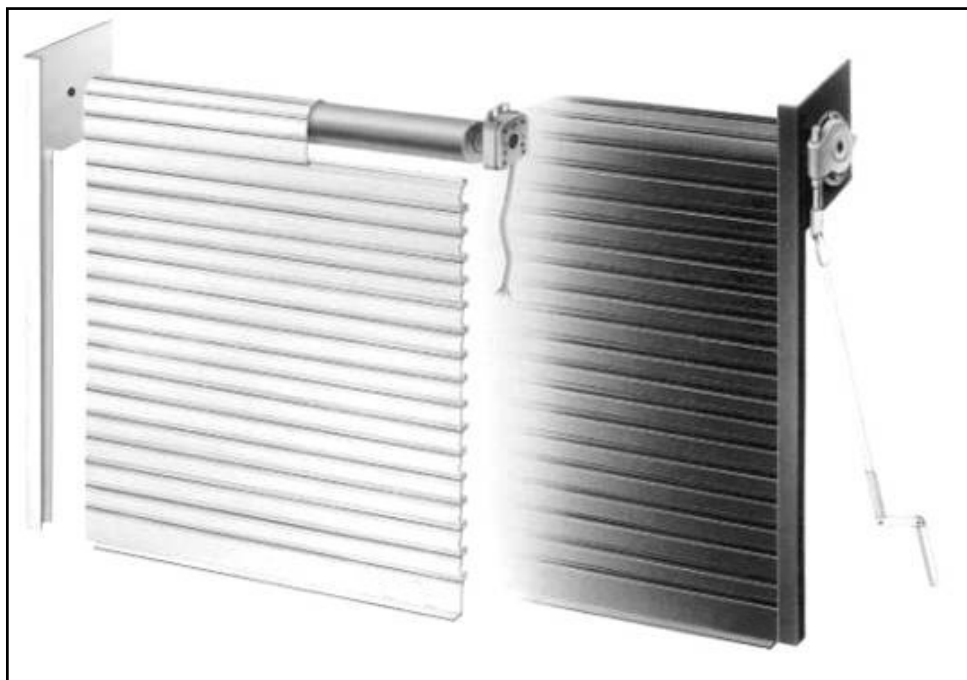
Installation manual

No. 1810

09/15

MURAX P47 SHUTTERS

MURAX SHUTTERS WITH SMALL SLATS **Hoist operation**



(Document reserved for installers)

Installation instructions

CAUTION!



To ensure that this product is assembled, used and maintained in complete safety, it is important to follow the instructions provided in this document.

For everyone's safety,



- * Before beginning the assembly, read this manual carefully.
- * This closure must be installed by a properly trained, professional technician.
- * All the parts delivered are specifically sized for this product. Adding other parts may be detrimental to safety and may affect the product's warranty.
- * Any modification or improvement of this closure must be compliant with the standard EN 13241-1. In this case, a "modification/transformation" file must be created by the installer as per the standard EN 12635 annex C.
- * Considerable force is exerted by the torsions springs or spring boxes, in the case of compensated shutters or grilles. This work must therefore be carried out in accordance with the safety instructions. Use the appropriate tools to install these products. Ensure that the work is carried out on a stable floor.
- * Ensure that the assembly area is adequately lit, clear, clean and clearly marked out.
- * Ensure that no other people are present at the assembly site apart from the installers. Non-authorized persons (children for example!) who are present at the site risk injury during assembly.
- * All the components of this closure must be installed in compliance with the installation instructions provided in this manual.
- * All the requirements of the standards EN 13241-1 must be met and verified if necessary.

Max. locking torque:

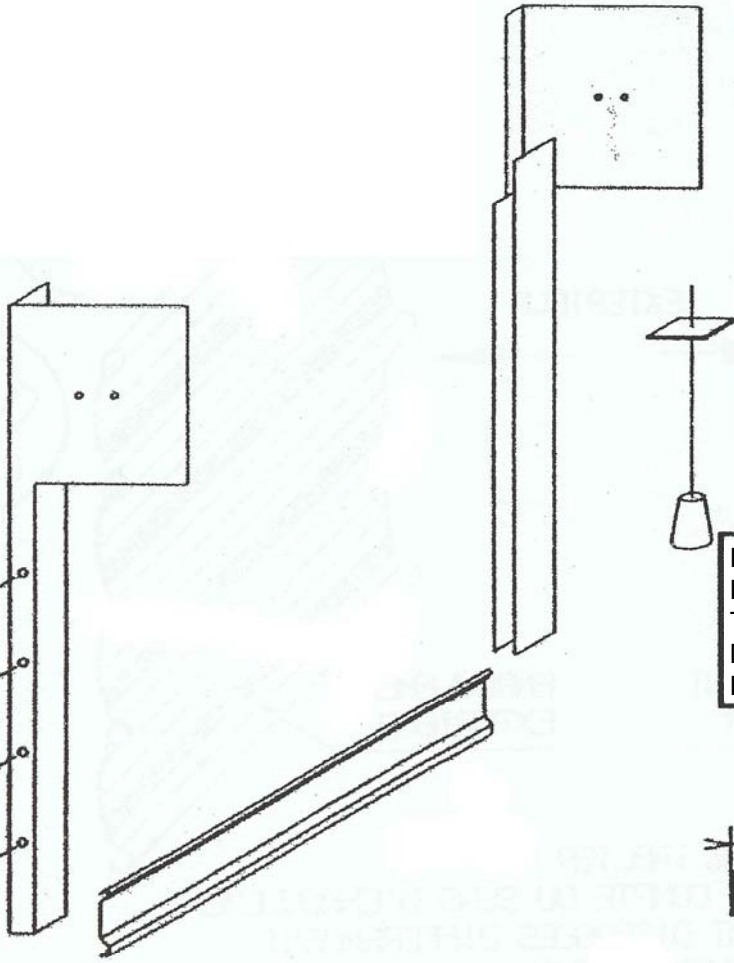
- Assembly screw: **10 Nm**
- Shutter clip screw: **12 Nm**

Min. working load per attachment point:

- Plates: **300 daN**
- Guiding rails: **40 daN**

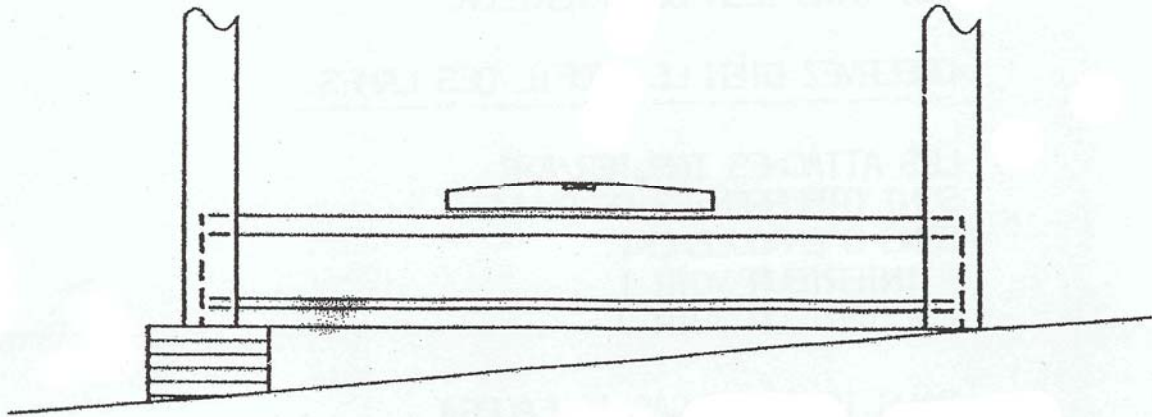
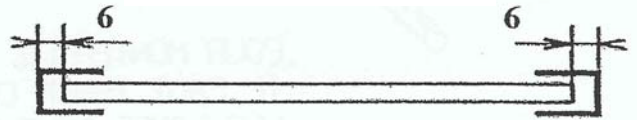
Please note: If installing on an iron structure, the guiding rails and plates can be welded to the building. In this case, a cord of approximately 50 mm must be attached to each side, roughly 800 mm apart.

1 meter MAX. between 2 FITTINGS



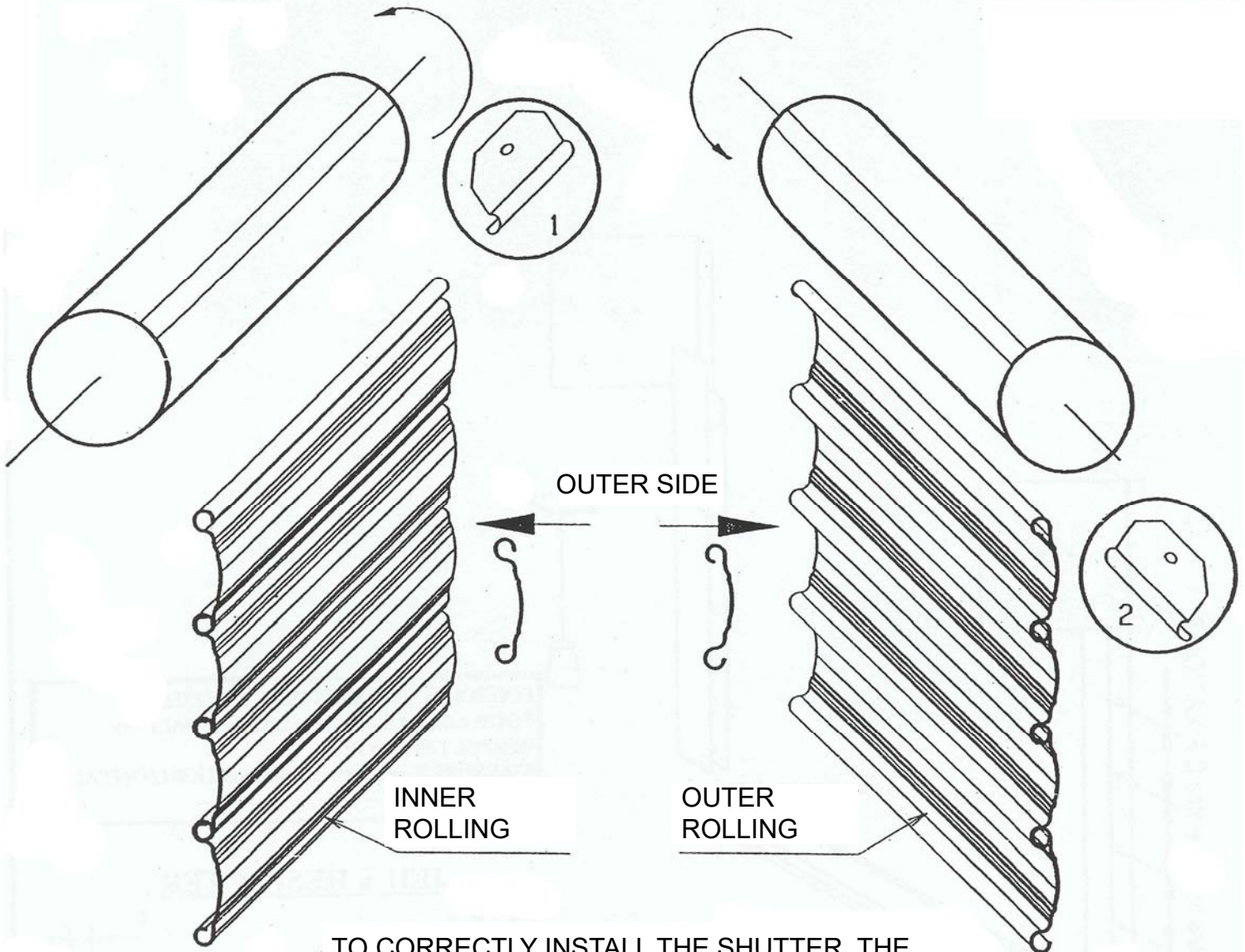
FIRMLY ATTACH the GUIDING RAILS,
ENSURING that they are PLUMB.
TO do so, USE the END-SLAT,
MAINTAINING the REQUIRED CLEARANCE
ENSURE THAT this SLAT is HORIZONTAL

CLEARANCE to be MAINTAINED



ROLLING DIRECTION FOR A MURAX SHUTTER

⚠ The height and the rolling of the shutter are calculated with a precise number of slats. All the slats provided must be installed.



TO CORRECTLY INSTALL THE SHUTTER, THE ROLLING DIRECTION MUST BE TAKEN INTO ACCOUNT. THE SLATS ARE ARRANGED DIFFERENTLY DEPENDING ON WHETHER THE SHUTTER IS ROLLED INWARDS OR OUTWARDS.

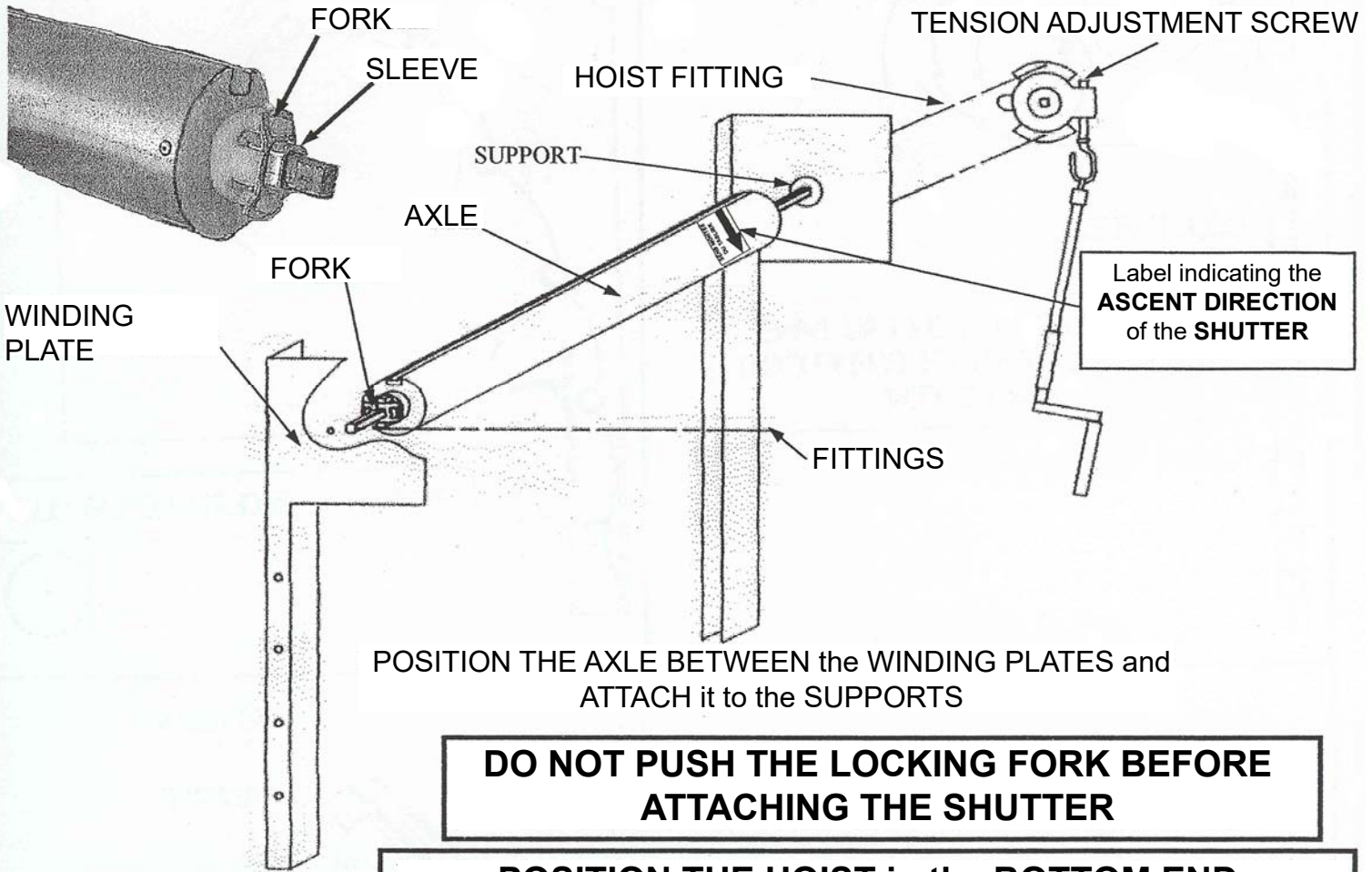
LOOK AT THE SLAT PROFILE CAREFULLY:

THE AXLE/SHUTTER CLIPS DIFFER DEPENDING ON THE ROLLING DIRECTION:

- INNER - REFER TO IMAGE 1
- OUTER - REFER TO IMAGE 2

IN ALL CASES, THE SLATS MUST BE ALIGNED WHEN CREATING THE SHUTTER.

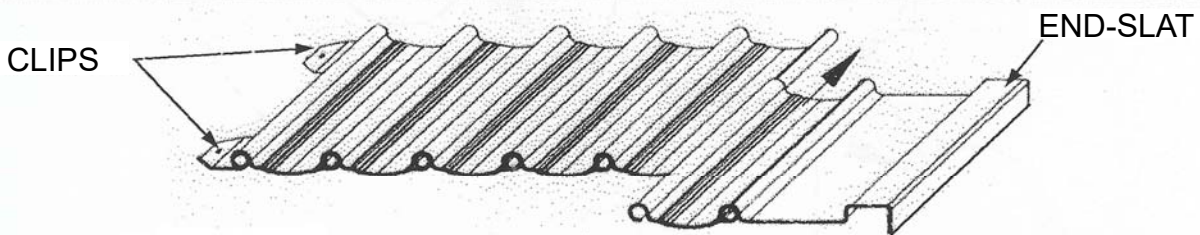
CAUTION: REMOVE the SLEEVE BEFORE POSITIONING THE AXLE on the SUPPORTS, but DO NOT REMOVE the FORK



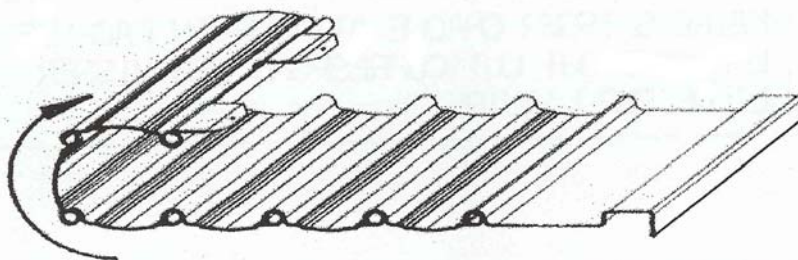
POSITION THE AXLE BETWEEN the WINDING PLATES and ATTACH it to the SUPPORTS

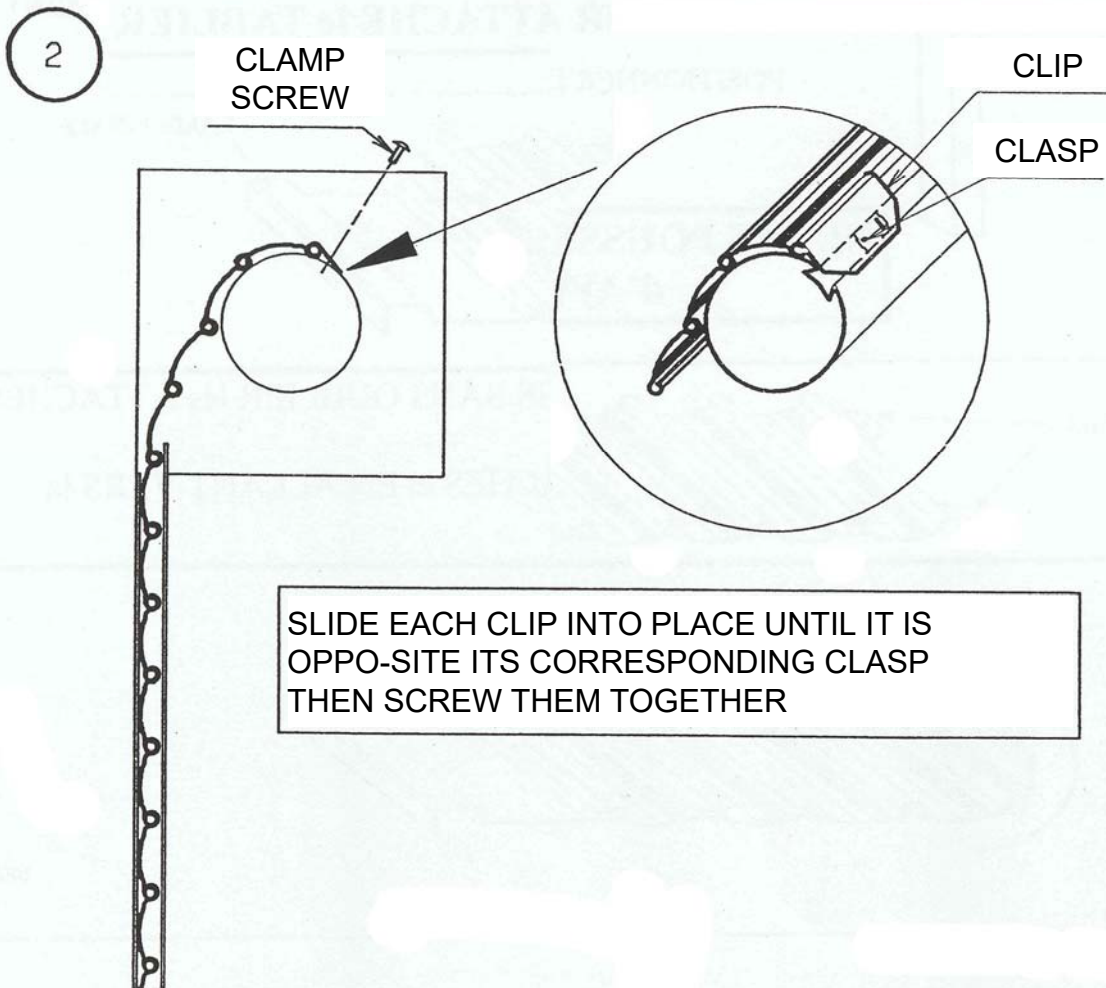
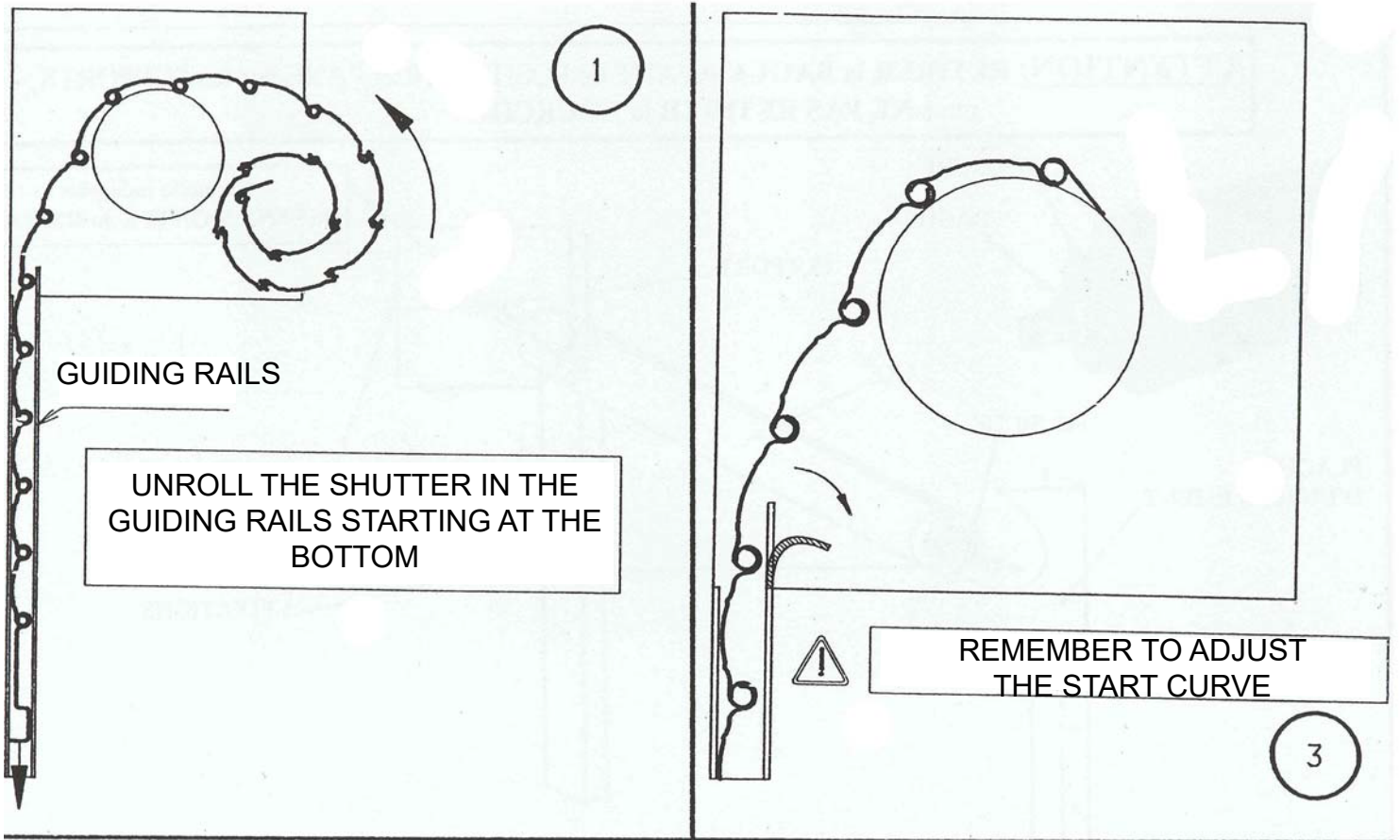
DO NOT PUSH THE LOCKING FORK BEFORE ATTACHING THE SHUTTER

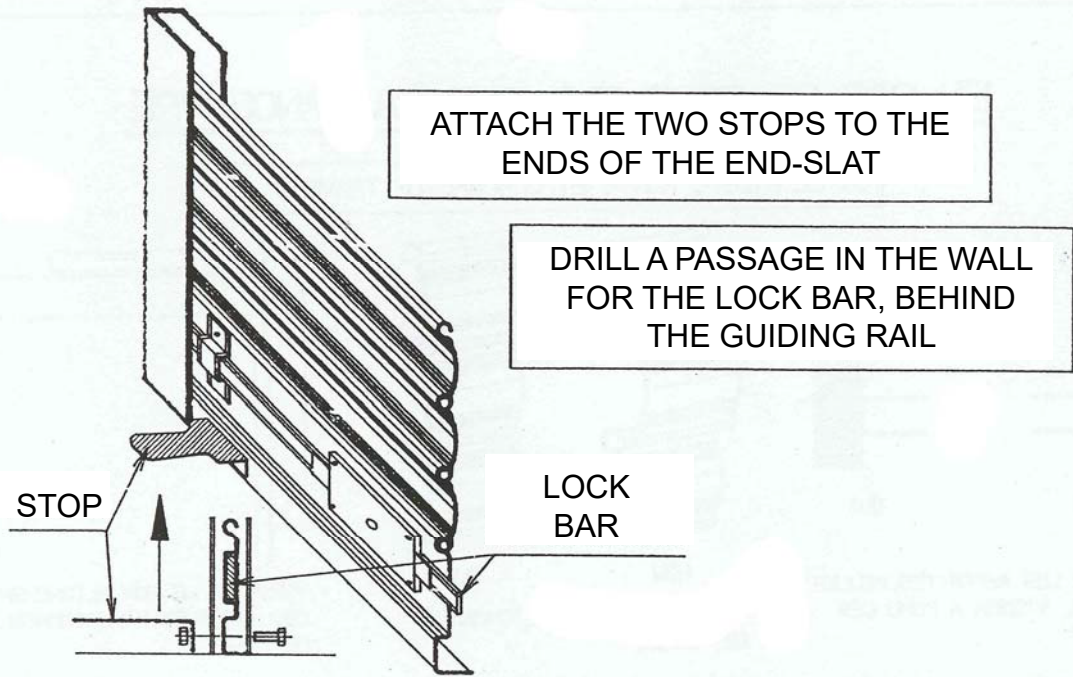
POSITION THE HOIST in the BOTTOM END POSITION BEFORE ATTACHING the SHUTTER



CREATE the SHUTTER by THREADING the SLATS TOGETHER, WITHOUT FORGETTING the CLIPS or the END SLAT. ROLL THE ASSEMBLED SHUTTER STARTING FROM the CLIPS and MOVING TOWARDS the END-SLAT.

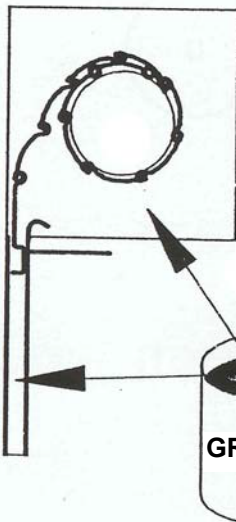
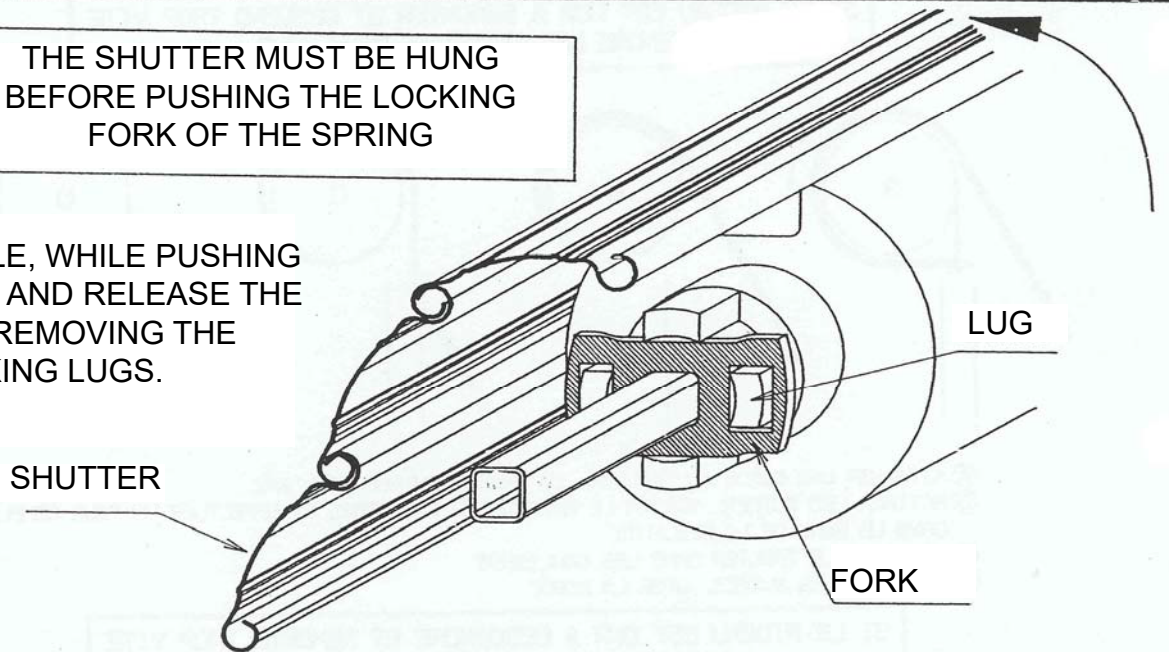






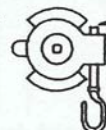
THE SHUTTER MUST BE HUNG BEFORE PUSHING THE LOCKING FORK OF THE SPRING

TURN THE AXLE, WHILE PUSHING THE SHUTTER AND RELEASE THE FORK BY REMOVING THE LOCKING LUGS.



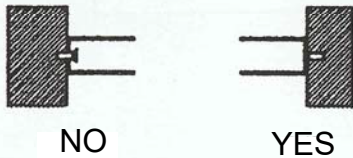
ENSURE THAT THE STOPS BLOCK THE SHUTTER AT ITS HIGHEST POSITION
CAREFULLY GREASE THE INSIDE OF THE GUIDING RAILS AND THE WINDING PLATES

HOIST ADJUSTMENT SCREW: IF THE SHUTTER IS DIFFICULT TO MOVE UP AND DOWN, LOOSEN THE SCREW

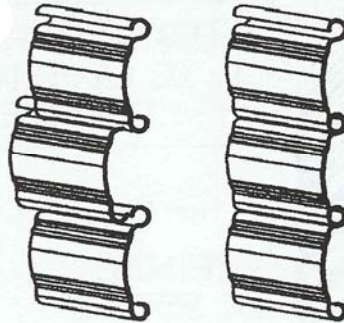


IN CASE OF PROBLEMS MANEUVERING THE SHUTTER

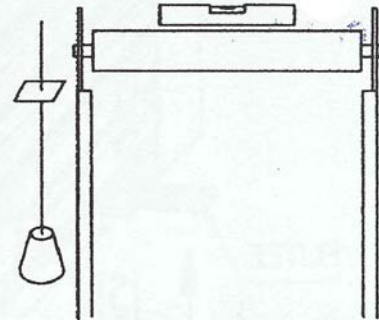
IF THE SHUTTER IS CROOKED WHEN MOVING UP AND DOWN:



REMOVE ANY BLOCKAGES, USING A GRINDER IF REQUIRED, AND TIGHTLY SCREW ON THE GUIDING RAILS

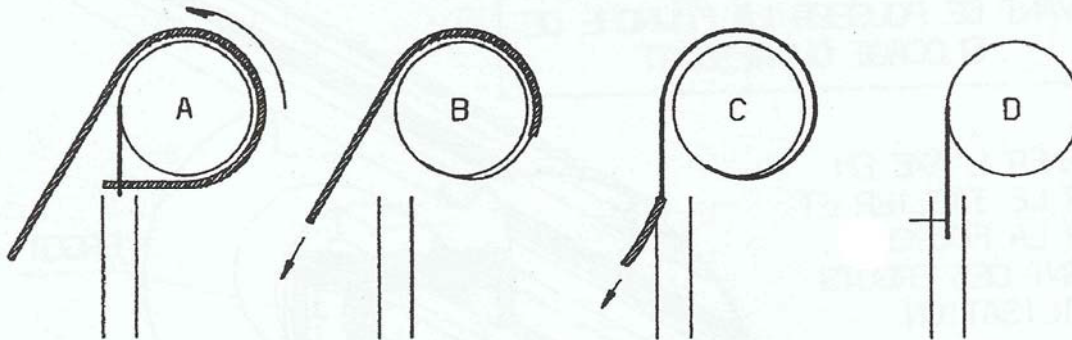


CHECK THAT THE SLATS ARE CORRECTLY ALIGNED



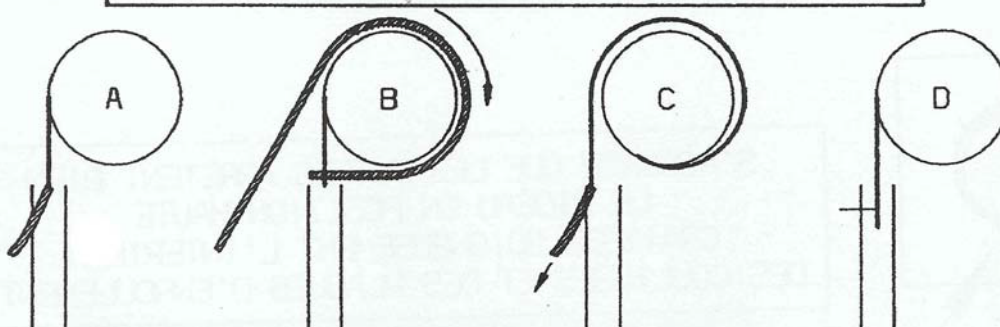
CHECK THAT THE GUIDING RAILS ARE CORRECTLY ALIGNED AND THAT THE AXLE IS PERFECTLY HORIZONTAL

IF THE SHUTTER IS DIFFICULT TO RAISE AND DESCENDS TOO QUICKLY, TIGHTEN THE SPRINGS BY ONE ROTATION



- (A) ATTACH A CORD TO THE SHUTTER AND PASS IT AROUND THE AXLE
- (B) REMOVE THE STOPS, TAKE THE SHUTTER OUT OF THE GUIDING RAILS AND ROTATE IT ONCE IN THE DIRECTION OF THE DESCENT
- (C) REPOSITION THE SHUTTER IN THE GUIDING RAILS
- (D) PUT BACK THE STOPS AND REMOVE THE CORD

IF THE SHUTTER IS DIFFICULT TO LOWER AND ASCENDS TOO QUICKLY, LOOSEN THE SPRINGS BY ONE ROTATION



- (A) ATTACH A CORD TO THE SHUTTER, AND REMOVE THE STOPS
- (B) LET THE SHUTTER UNROLL BY ONE FULL ROTATION, CAREFULLY CONTROLLING IT WITH THE CORD
- (C) REPOSITION THE SHUTTER IN THE GUIDING RAILS
- (D) PUT BACK THE STOPS