

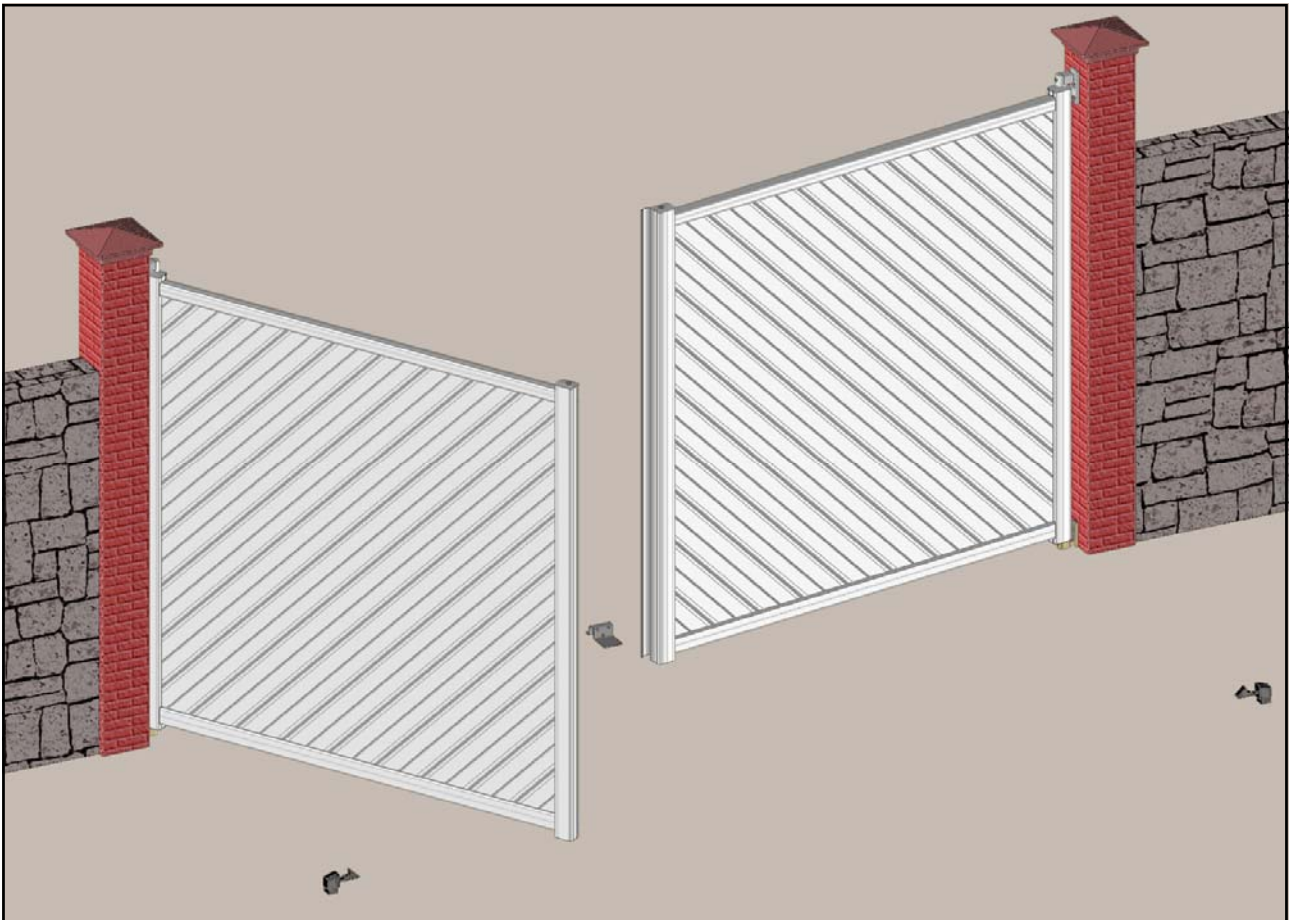
# Installation manual

No. 7370

09/15

## Aluminum gate 2-Leaf

**Inter-wall or wall-mounted  
installation on existing posts**



**(Document reserved for installers)**

# Contents

Equipment required for installation .....p.2

Installation instructions .....p.3

Cabling diagram (if motorized gate) .....p.4

Schematic diagram for wall-mounted installation on existing posts  
with or without threshold .....p.4

Inter-wall installation on existing posts (without aluminum threshold).....p.5

Inter-wall installation on existing posts (with aluminum threshold).....p.10

Installing the lock.....p.15

Installing the universal stops or end position stops.....p.15

Attaching the operator arm .....p.16

# Equipment required for installation

- |  |                 |  |
|--|-----------------|--|
| - Hammer drill                         | - Hammer/chisel | - Tape measure                                 |
| - Set of steel/concrete drill bits     | - Spirit level  | - Appropriate screws and pins for the supports |
| - Electric screwdriver with end-pieces | - Plumb bob     | - 10 mm shims                                  |
| - Allen keys + Flat wrenches           | - Hacksaw       |  |
| - Screwdriver                          | - Angle grinder |  |

# Installation instructions

## **CAUTION!**



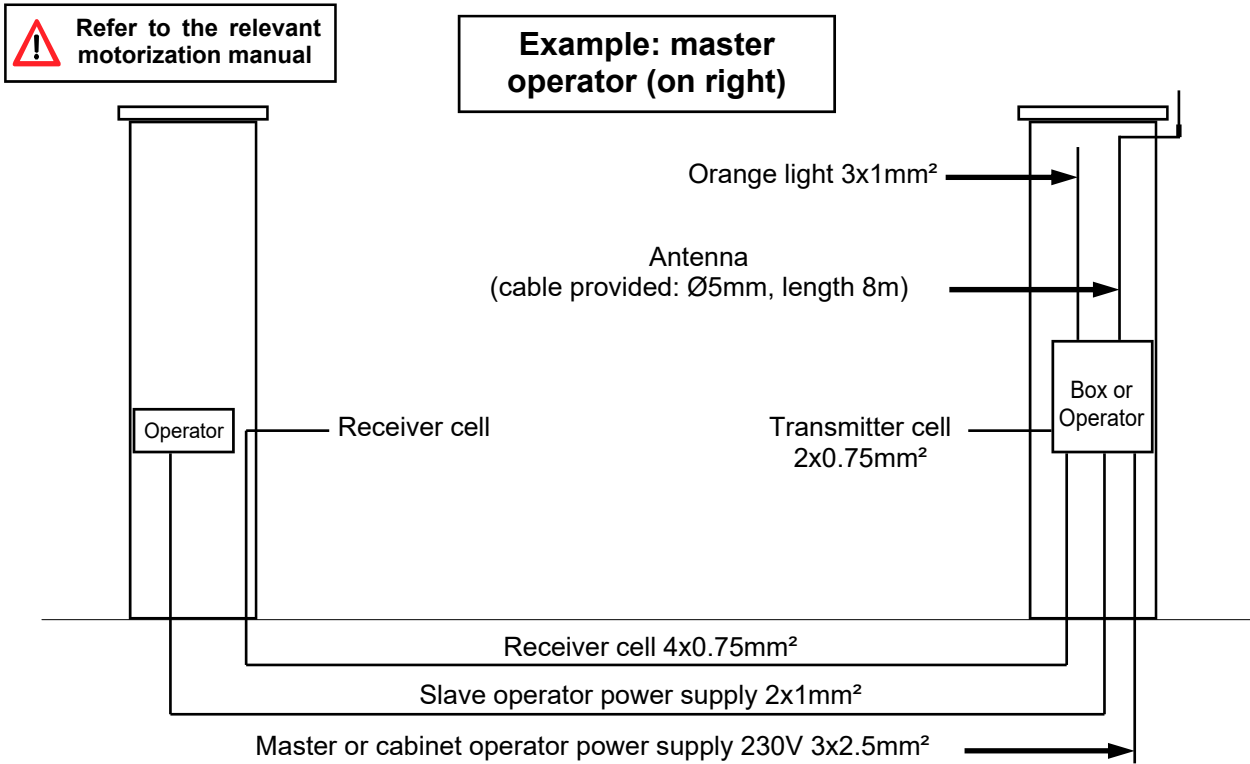
To ensure that this product is assembled, used and maintained in complete safety, it is important to follow the instructions provided in this document.



For everyone's safety, please observe the precautionary measures below.

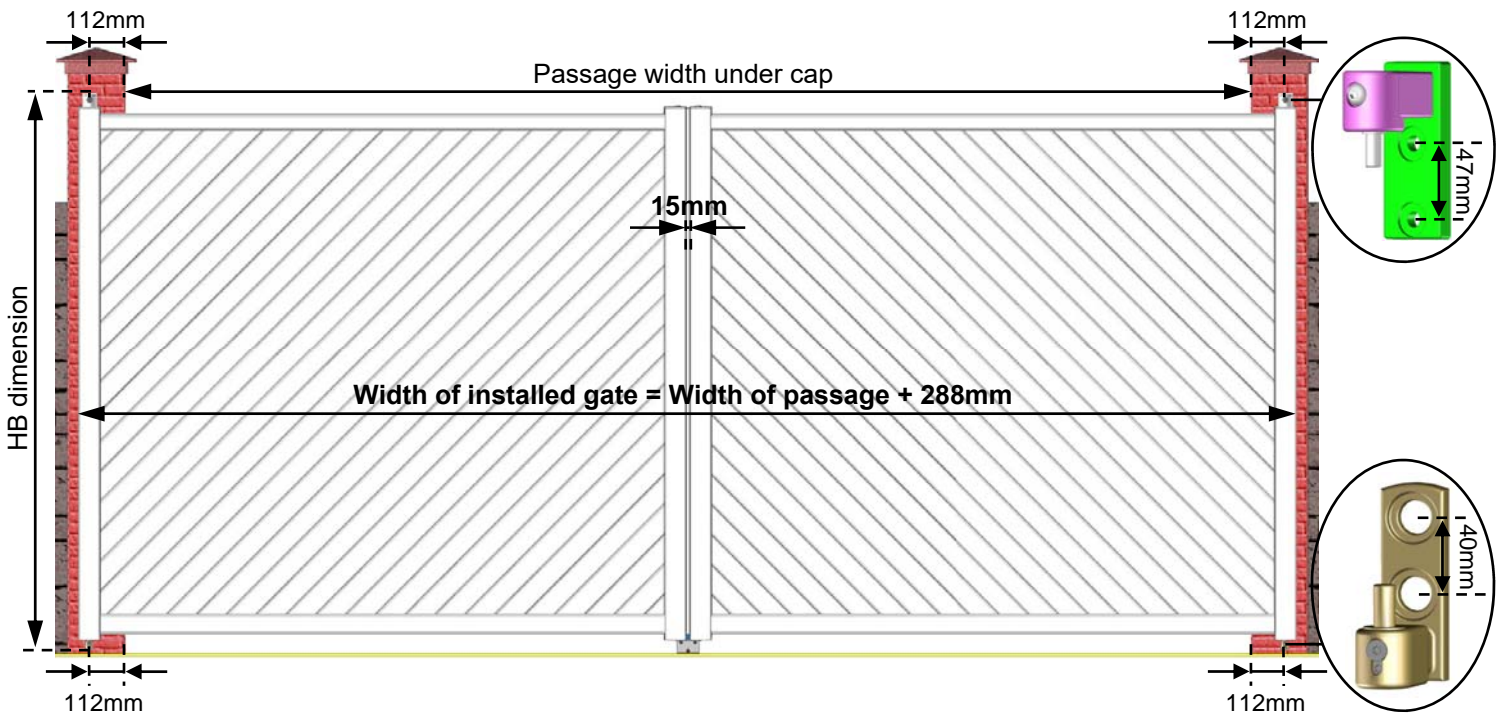
- \* Before beginning the assembly, read this manual carefully.
- \* This closure must be installed by a professional technician.
- \* All the parts delivered are specifically sized for this product. Adding and/or using other parts may be detrimental to safety and may affect the product's warranty.
- \* Any modification or improvement of this closure must be compliant with the standard EN 13241-1. In this case, a "modification/transformation" file must be created by the installer as per the standard EN 12635 annex C.
- \* Use the appropriate tools to install these products.
- \* Ensure that the assembly area is adequately lit, clear, clean and clearly marked out.
- \* Ensure that no other people are present at the assembly site apart from the installers. Non-authorized persons (children for example!) who are present at the site risk injury during assembly.
- \* All the components of this closure must be installed in compliance with the installation instructions provided in this manual.
- \* All the requirements of the standards EN 13241-1 must be met and verified if necessary.

# Cabling diagram (if motorized gate)



# Schematic diagram for wall-mounted installation on existing posts with or without threshold

- For wall-mounted installations with threshold, use 2 bottom hinges instead of 2 hinge pins.

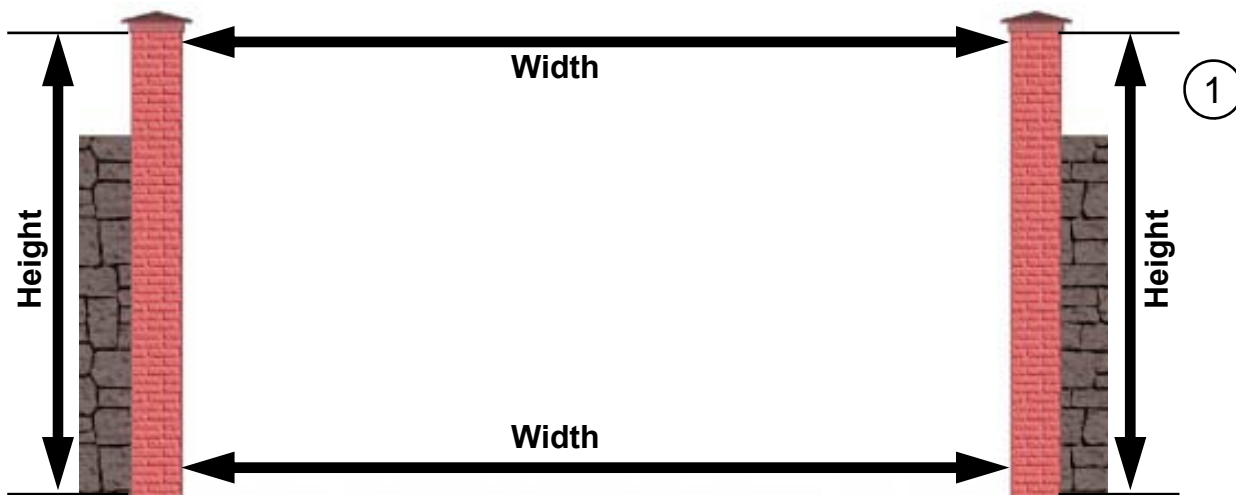


# Inter-wall installation on existing posts (without aluminum threshold)

**! For wall-mounted installations, follow the instructions in "NOTES".**

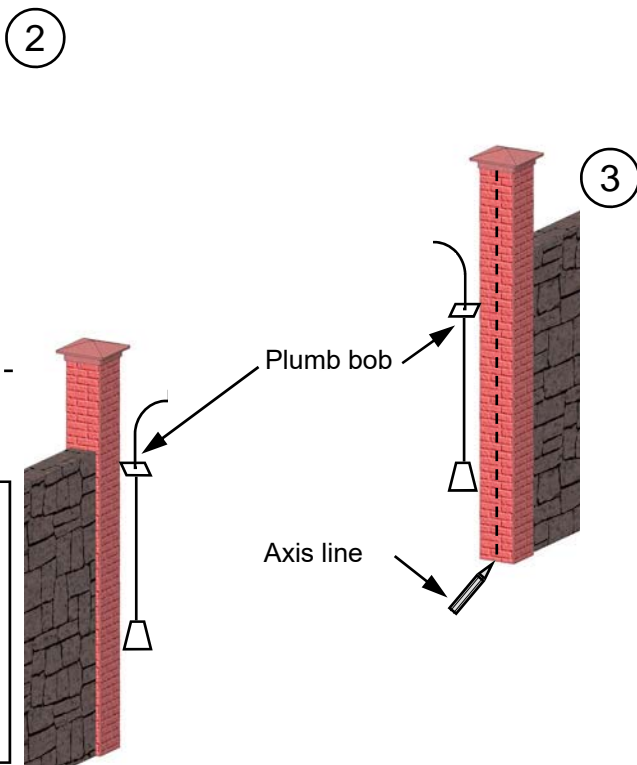
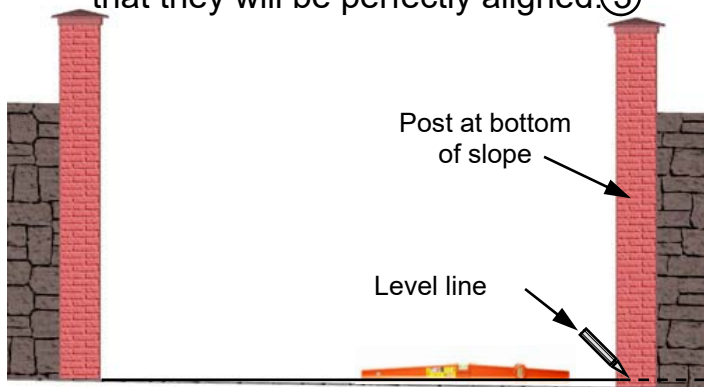
## 1 - Check the worksite dimensions: ①

- Width between posts under cap
- Height of posts under cap



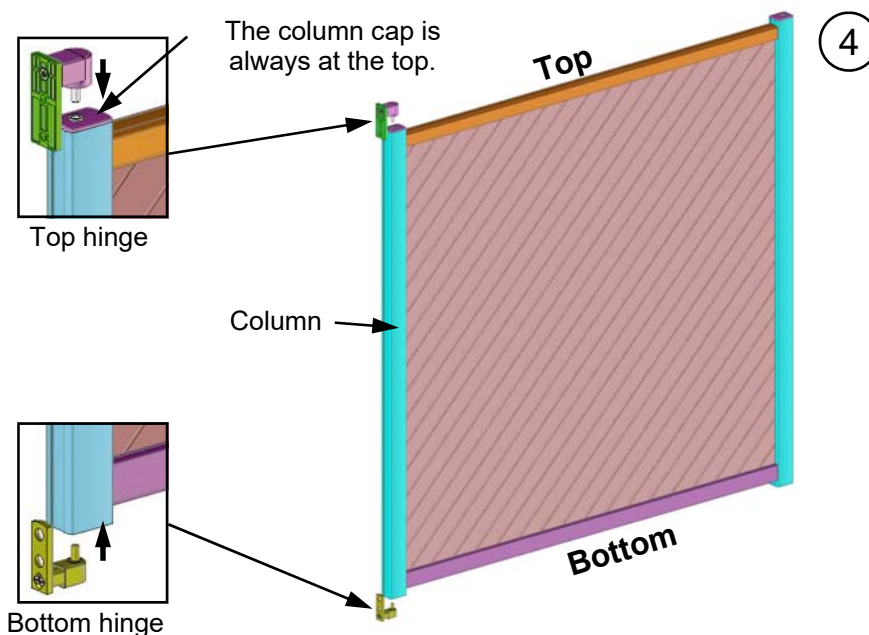
## 2 - Check the level 0, and that the posts are plumb and correctly aligned:

- **False-level floor:** Draw a line to mark the correct level on the post at the bottom of the slope. ②
- **Posts aligned and plumb:** Draw a line to mark the post axis in an upwards direction. ③
- **Posts not aligned:** Using a plumb bob, draw a line to mark the post axes so that they will be perfectly aligned. ③

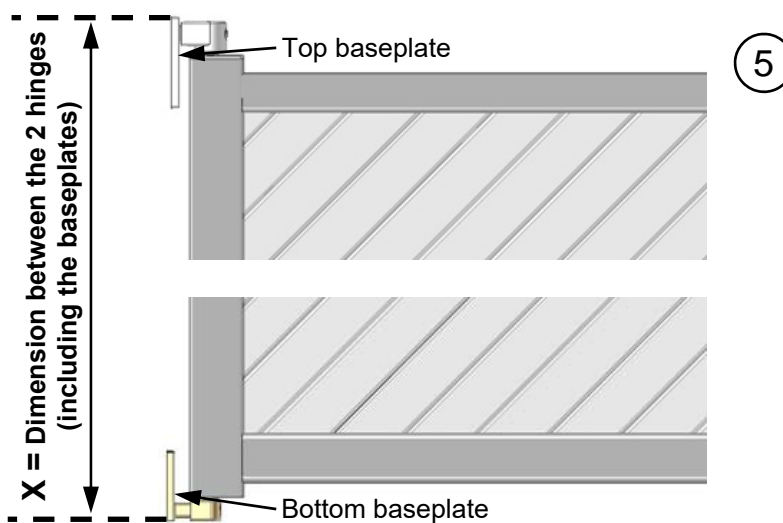


**Please note:**  
If installing a wall-mounted gate, mark out the position of the hinge baseplates on the insides of the posts (p.4).  
  
This step is important because it enables the settings to be adjusted more easily afterwards.

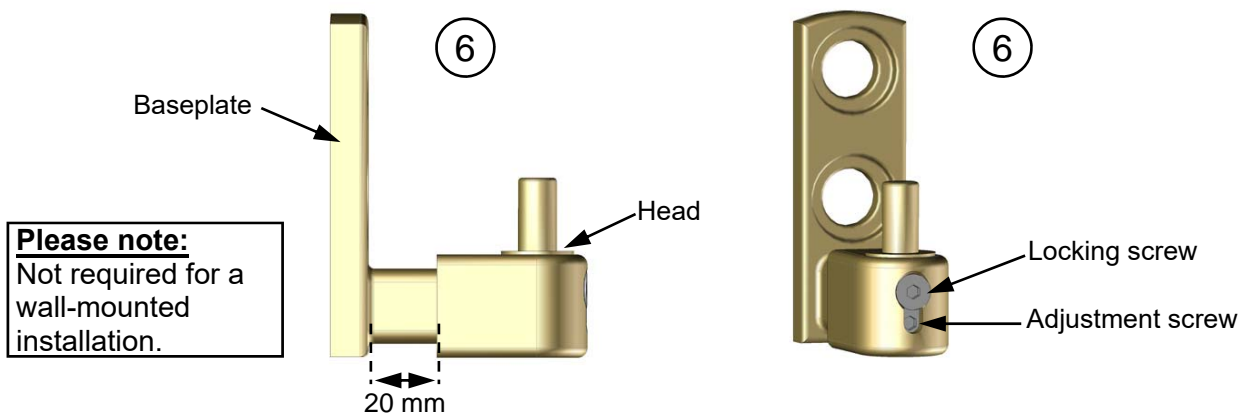
- 3 - Position the top and bottom hinges in the holes of the leaf column.**  
 The biggest hinge is always positioned at the top. ④



- 4 - Measure the "X" dimension which should correspond to the total height between the two hinges, including the baseplates.** ⑤



- 5 - Check that the bottom hinge head is roughly 20 mm away from the baseplate, if not adjust its position.**⑥



**6 - Attach the bottom hinge baseplate to the floor above the level line for the post at the bottom of the slope using the M8 striking pins and the corresponding screws (not provided) + the washers provided. (7)**

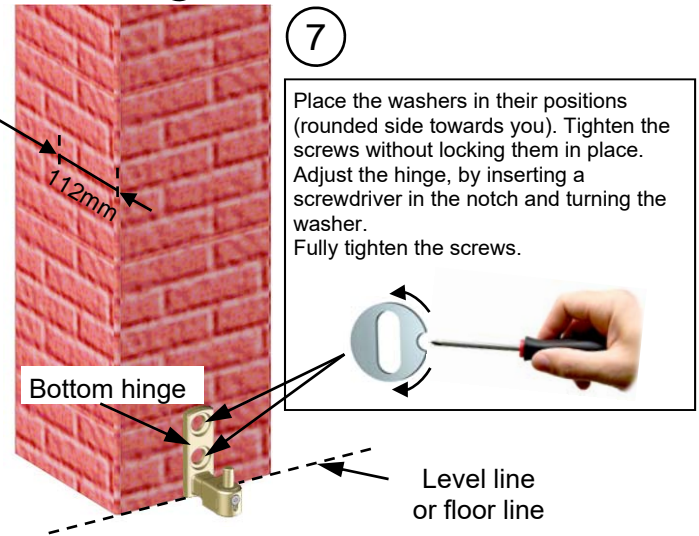
**Please note:**

For wall-mounted installations, position the bottom hinge axle 112 mm away from the edge of the post.

**7 - Attach the second bottom hinge at the same level as the first on the 2nd post. (7)**

**Please note:**

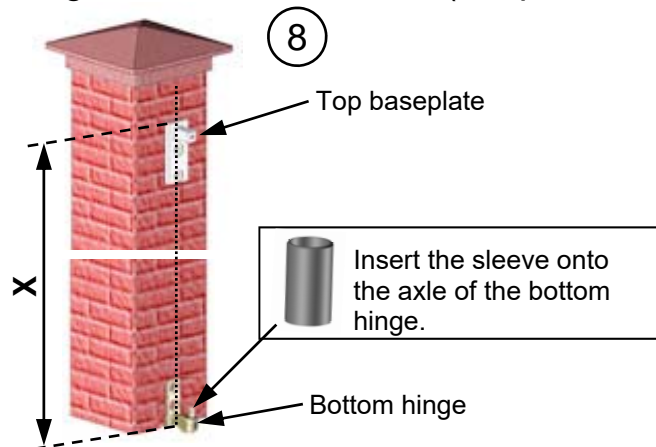
For wall-mounted installations, position the axle of the 2nd bottom hinge at Passage width + 224 mm, starting from the axle of the second bottom hinge.



**8 - Disassemble the top hinge and position its baseplate on the "X" dimension on the vertical axis line drawn on the concrete post. (8)**  
Mark out the drill holes needed to attach the baseplate with the M10 striking pins, and the corresponding screws and washers (not provided).

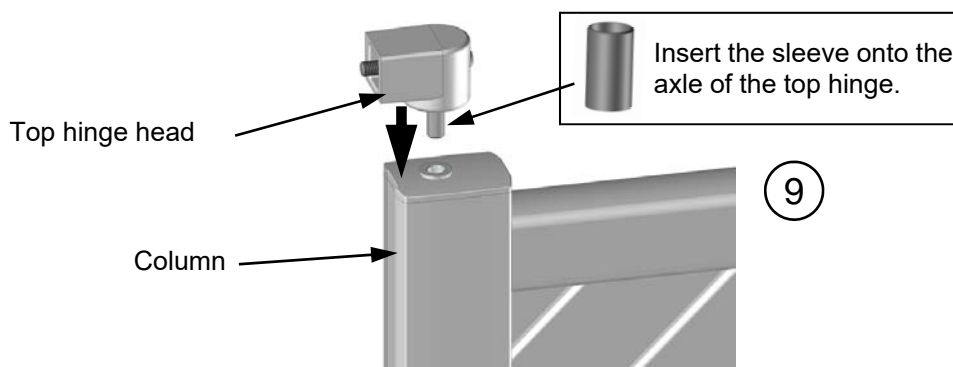
**Please note:**

For wall-mounted installations, attach the top hinge baseplate to the axle of the bottom hinge.



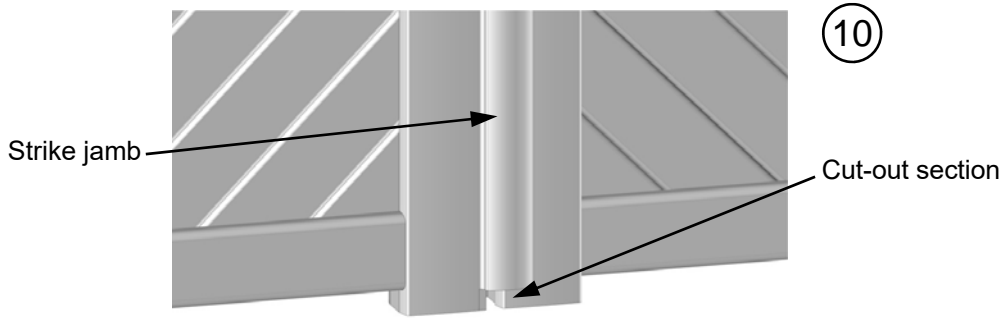
**9 - Repeat the operation for the second post.**  
The top hinge must be at the same level on the 2 posts.  
The "X" dimension must be identical on the 2 concrete posts.

**10 - Install the top hinge heads on the leaf columns. (9)**



**11 - Identify the left and right leaves (street view). ⑩**

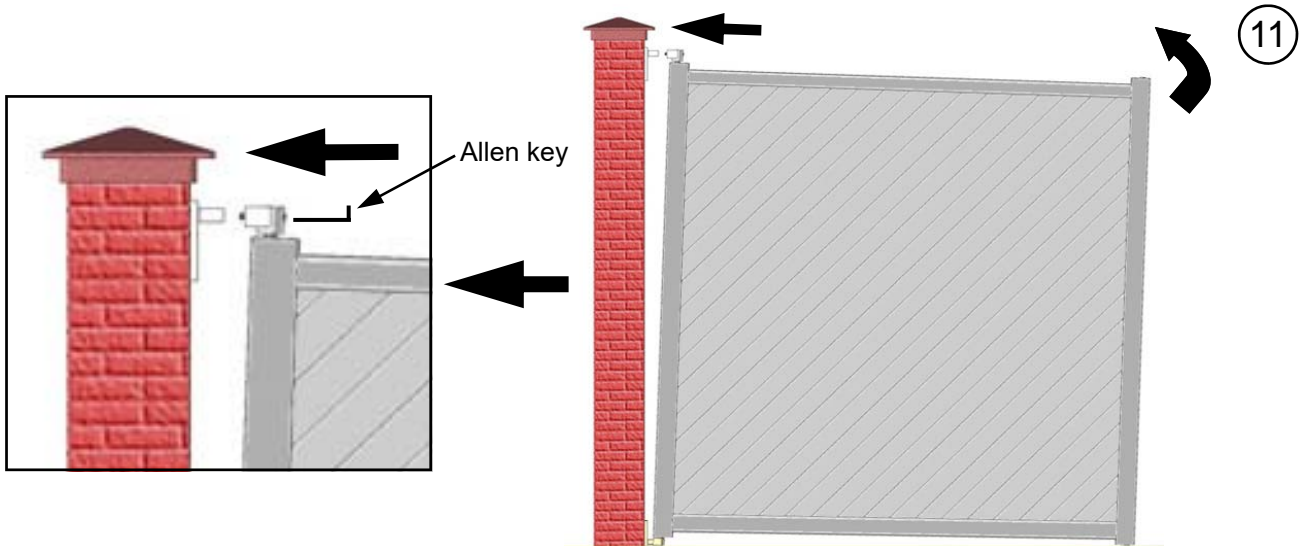
The cut-out section of the strike jamb must always be on the street side.



**Street view**

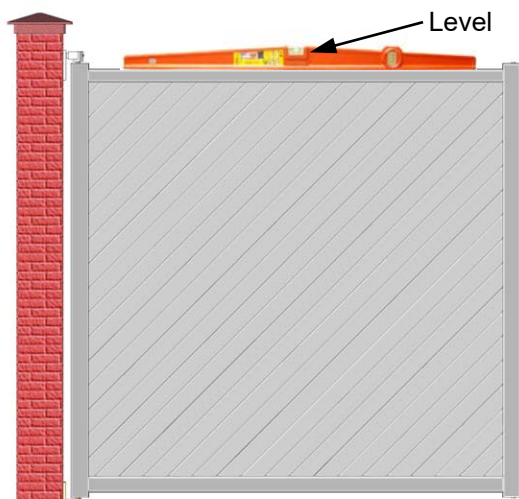
**12 - Take a leaf and position it on the axle of the bottom hinge.**

Move the leaf towards the post and insert the top hinge head into its baseplate. Use a 5 mm Allen key to tighten the hollow hex screw on the hinge head. ⑪

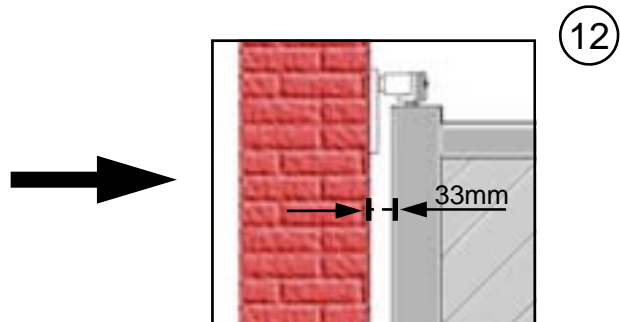


**13 - Position the leaf so it is level and plumb.**

(Leaf is level, the vertical column is roughly 33 mm away from the concrete post.) ⑫



**Please note:**  
The 33 mm dimension does not apply to wall-mounted installations.





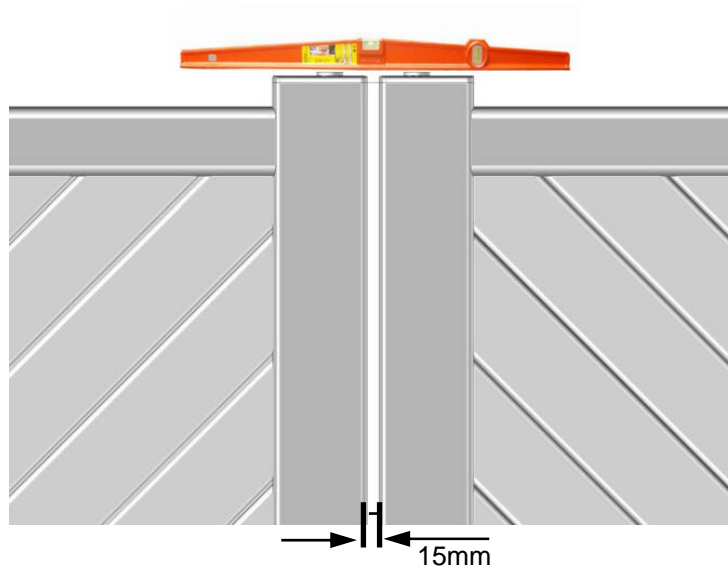
**14** - Complete the same process for the second leaf. (11) (12)

**15** - Gently close the two leaves to make sure that they are correctly aligned and plumb. The central columns must be at the same level. (13)

If not, adjust the position by moving the hollow hex screw(s) on the top and/or bottom hinges.

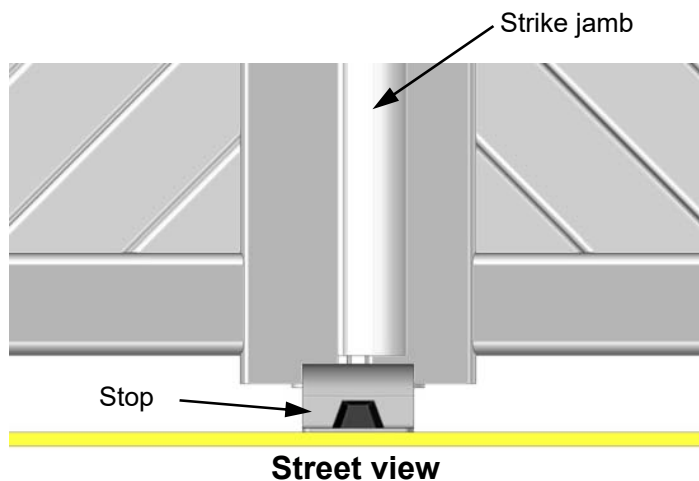
Gate adjusted, the central clearance between the 2 leaves should be roughly 15 mm. (13)

**Please note:**  
Wall-mounted installations can only be adjusted using the hinge fittings.

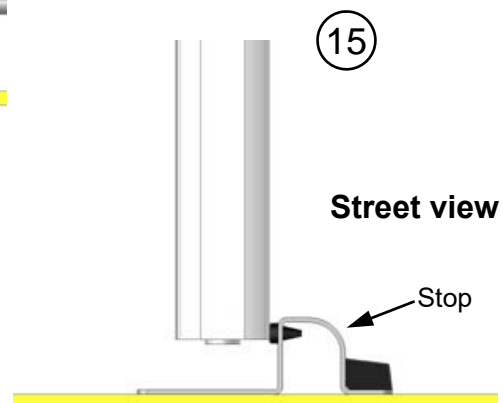


(13)

**16** - Once the two leaves have been adjusted, position the central stop on the floor on the outer side. If the stop is not in contact with the leaves, move it higher. (14) (15)



(14)



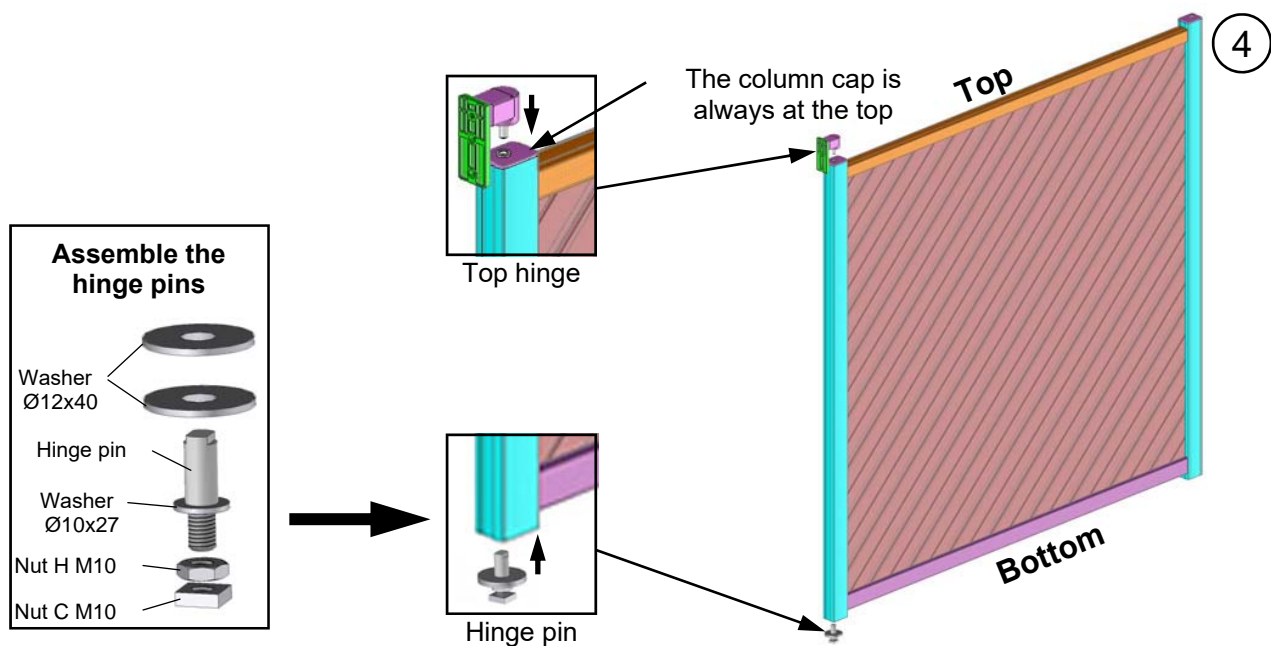
(15)

# Inter-wall installation on existing posts (with aluminum threshold)

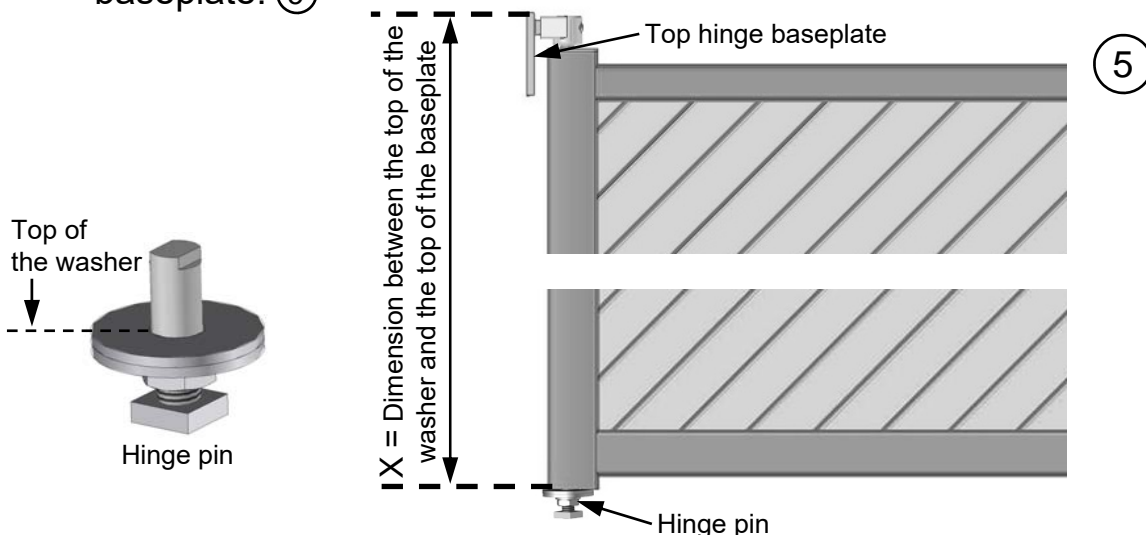
**Please note:** For wall-mounted installations, follow the procedure in the manual without threshold, in chapters 1 to 15, and the procedure in chapter 31 of this section.

Before operating the product, ensure that you have implemented points 1 and 2 from p.5 (worksite dimensions, 0 level, posts are aligned and plumb).

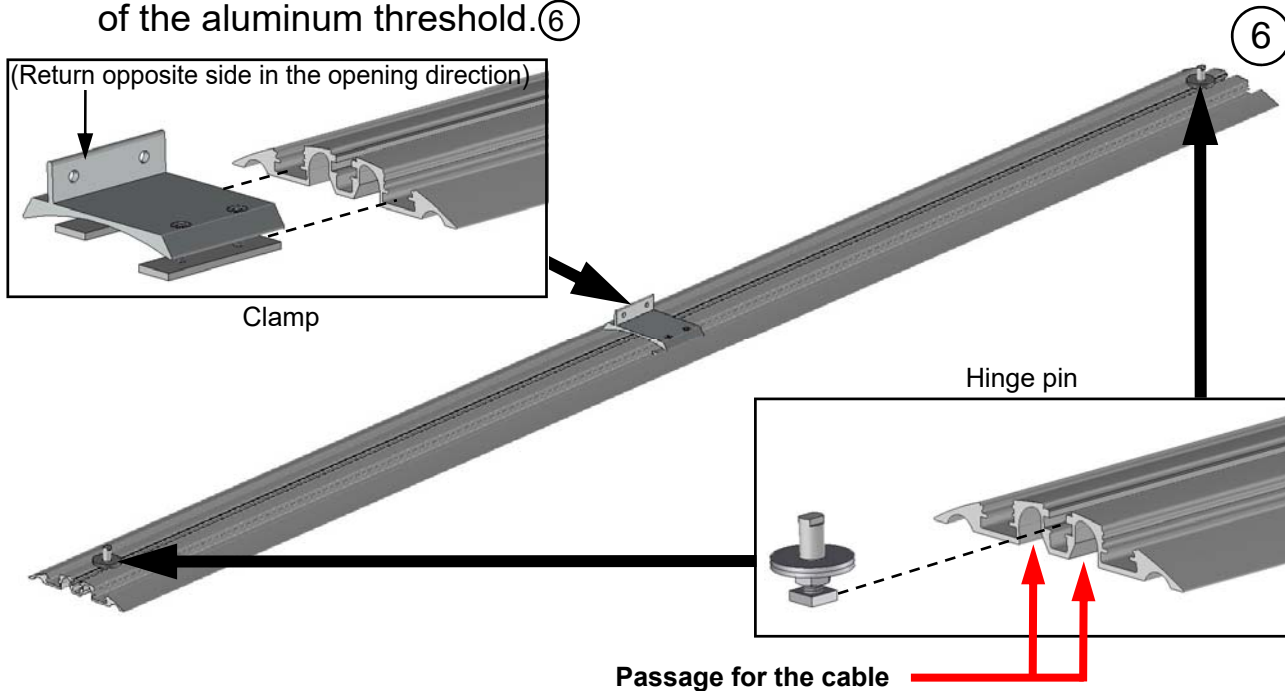
**17 -** Position the top hinges and the hinge pins in the holes of the leaf column. ④



**18 -** Measure the "X" dimension which should correspond to the total height between the top of the hinge pin washer and the top of the top hinge baseplate. ⑤




**19** - Insert the clamp and the 2 hinge pins (right and left) into the grooves of the aluminum threshold.⑥

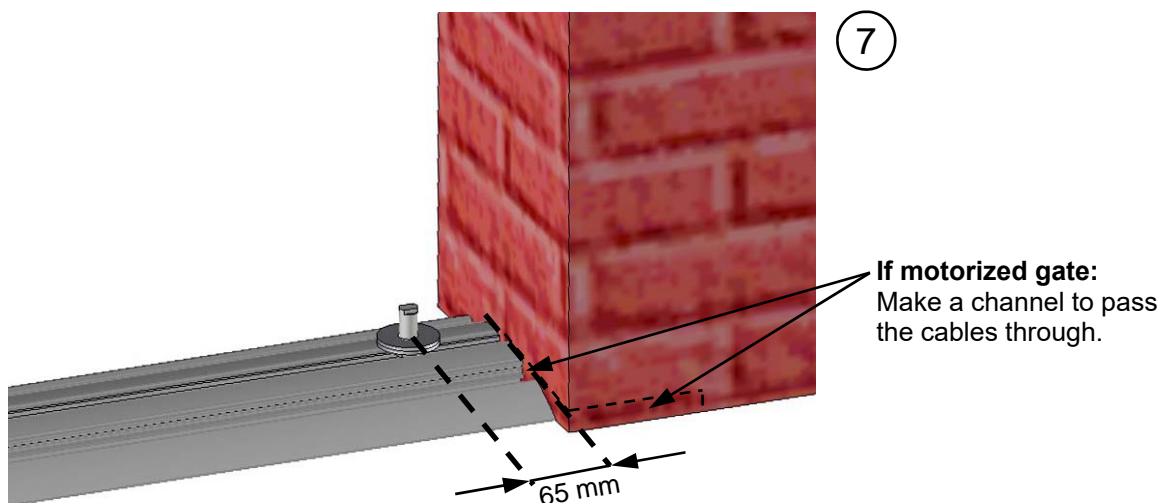


**!** Before positioning the threshold on the floor, insert a needle or a sheath into the cable passage in order to pull the cable through.

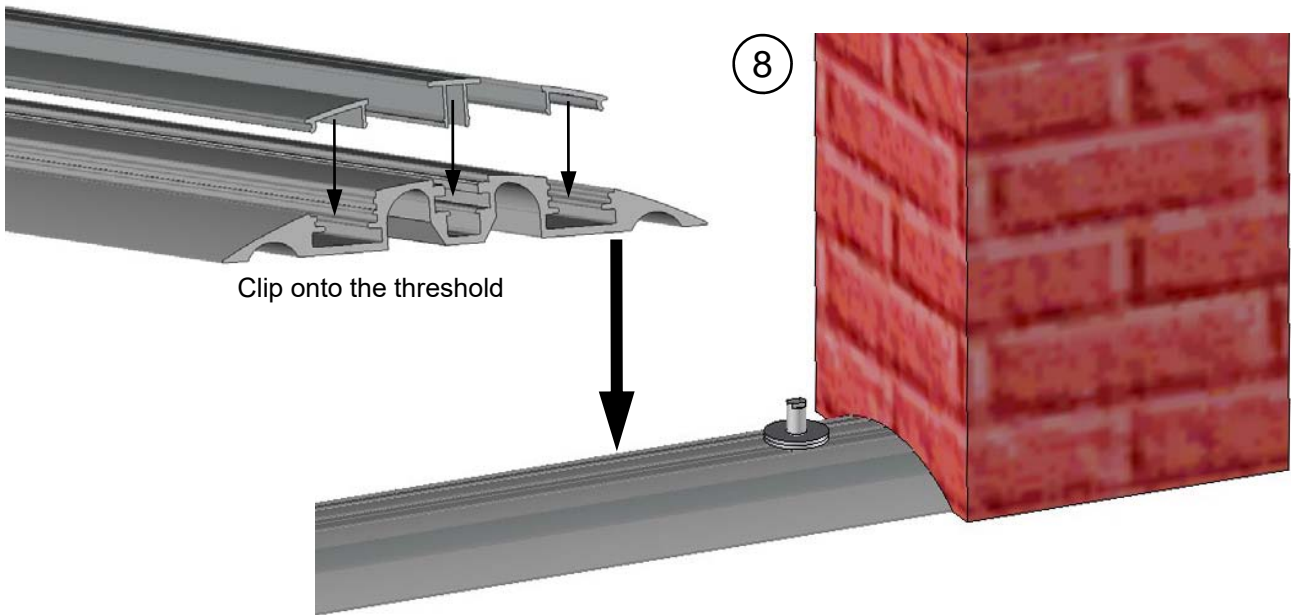
**20** - Position the threshold between the posts, check that it is aligned and that it is at the correct level in relation to the lines drawn on the posts. (Use the 8 mm pins and the appropriate screws to attach the threshold).

**!** Adjust to the correct level using the washers provided → 

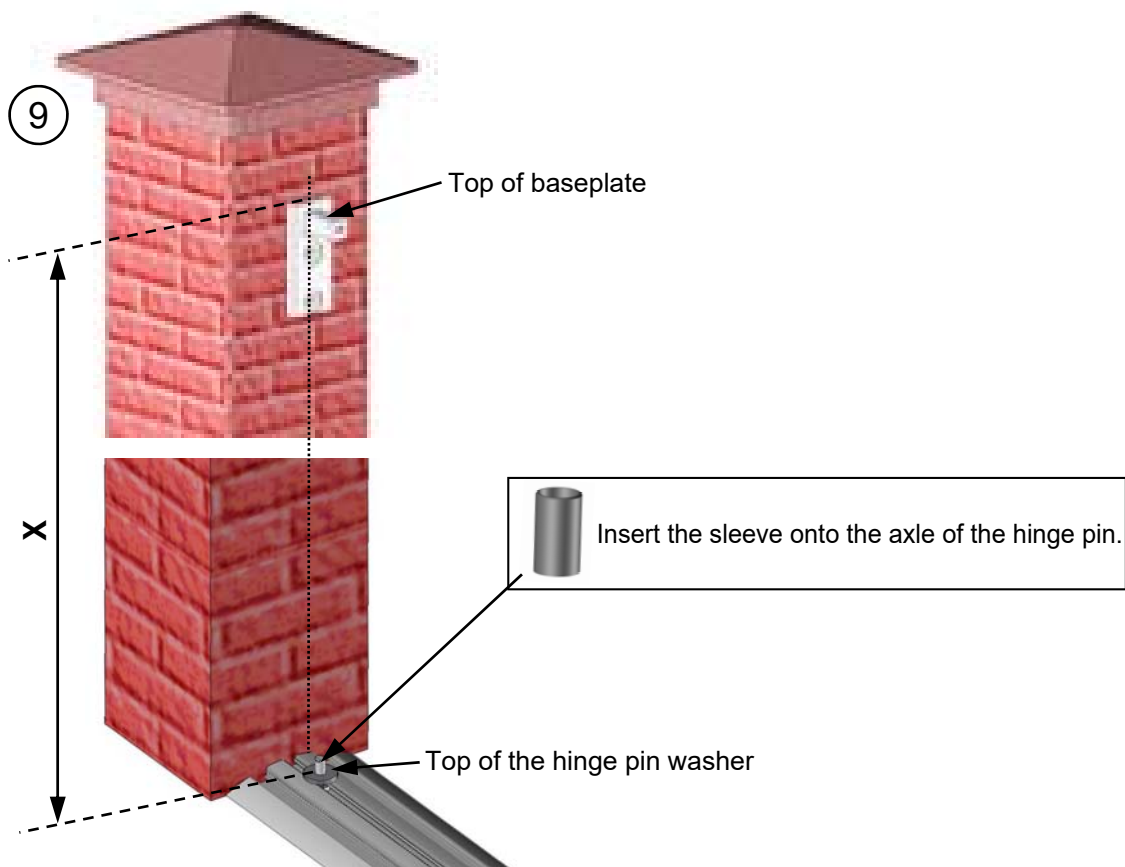
**21** - Adjust the hinge pins so that the pivot axles are 65 mm away from the posts.⑦



**22** - Center the clamp on the threshold. Cut the clips according to the position of the clamp and hinge pins, then clip them onto the threshold. (8)

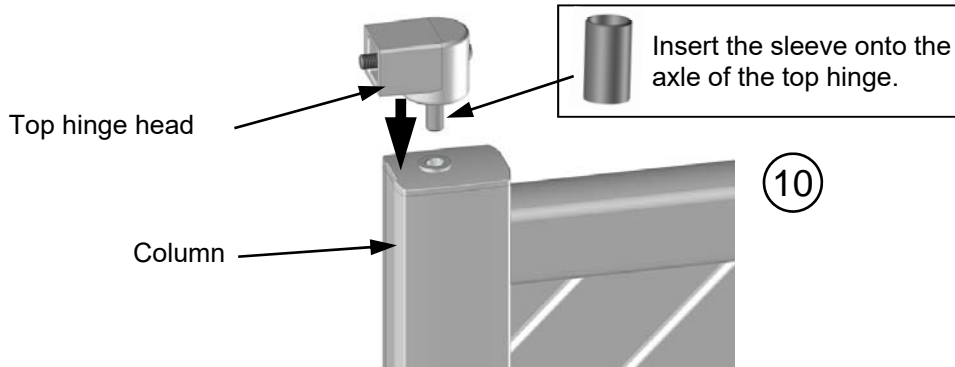


**23** - Disassemble the top hinge and position its baseplate on the "X" dimension on the vertical axis line drawn on the concrete post. (9)  
Mark out the drill holes needed to attach the baseplate with the M10 striking pins, the corresponding screws and the washers (not provided).

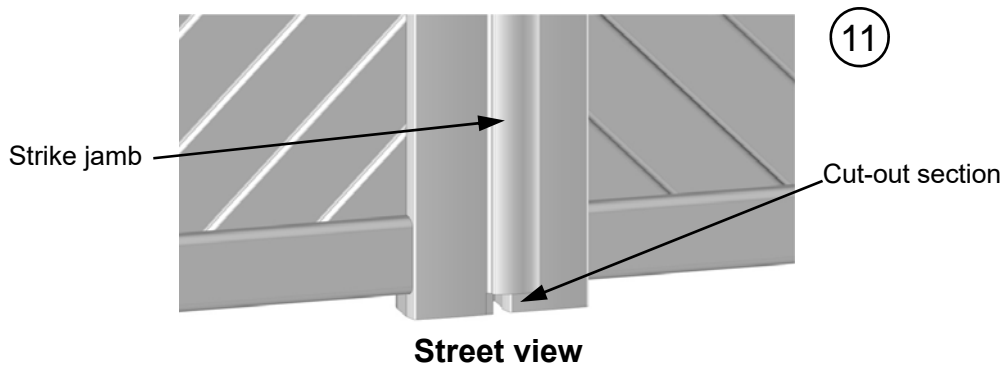


- 24** - Repeat the operation for the second post.  
 The top hinge must be at the same level on the 2 posts.  
 The "X" dimension must be identical on the 2 concrete posts.

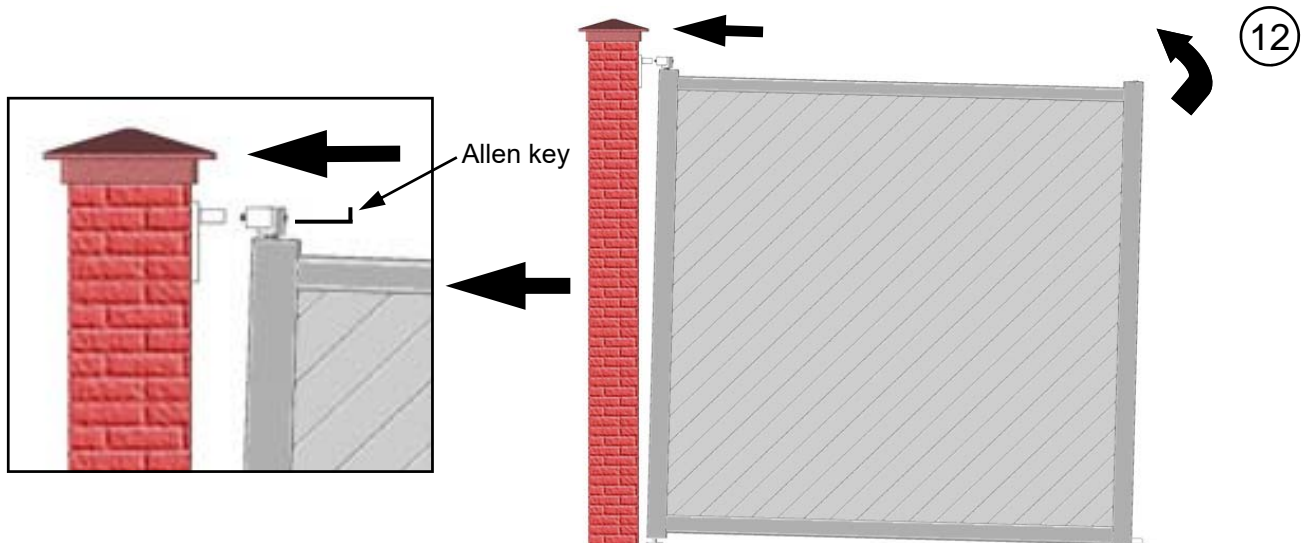
- 25** - Install the top hinge heads on the leaf columns. ⑩



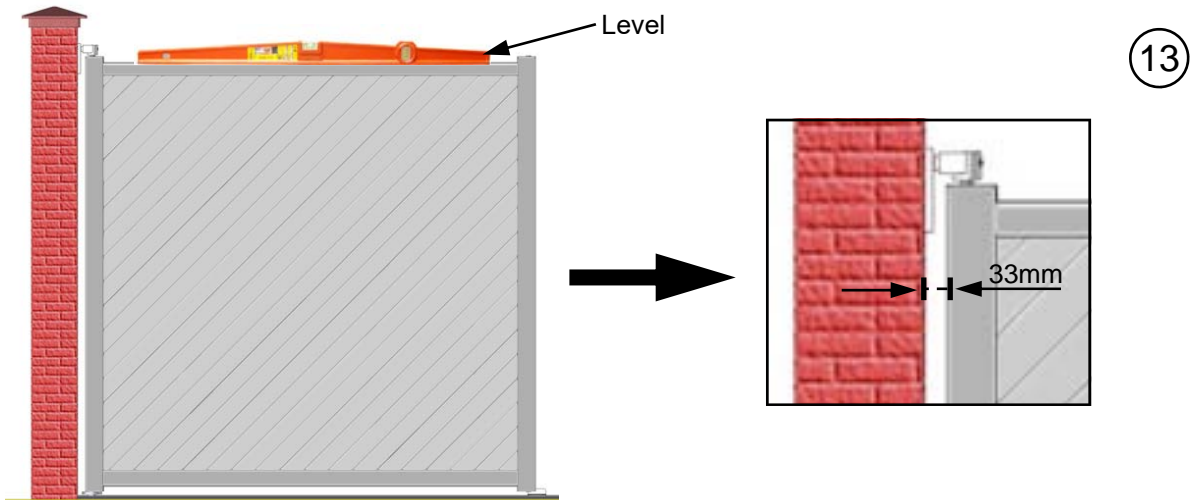
- 26** - Identify the left and right leaves (street view). ⑪  
 The cut-out section of the strike jamb must always be street side.



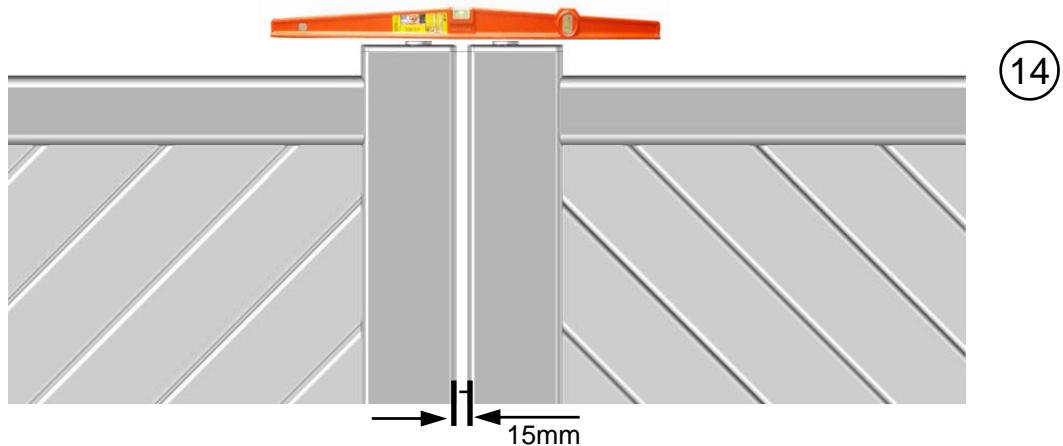
- 27** - Take a leaf and position it against the axle of the hinge pin.  
 Move the leaf towards the post and insert the top hinge head into its baseplate.  
 Use a 5 mm Allen key to tighten the hollow hex screw on the hinge head. ⑫



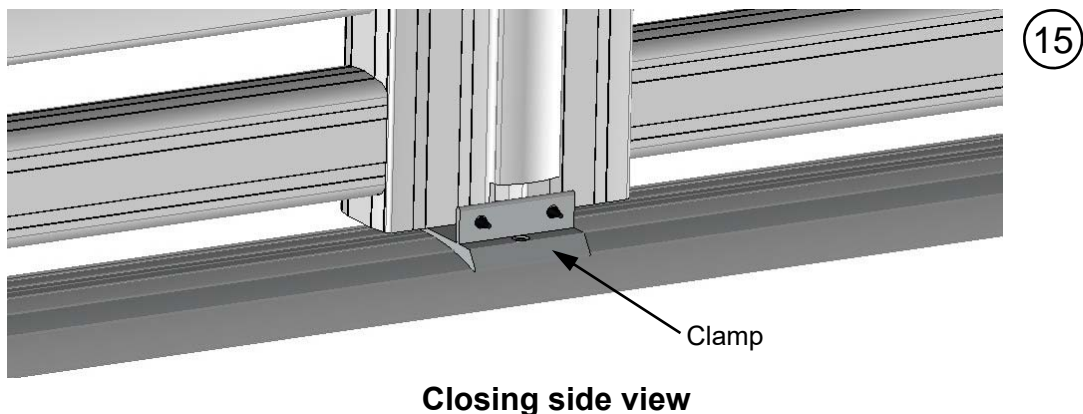
- 28** - Position the leaf so it is level and plumb.  
 (Leaf is level, the vertical column is roughly 33 mm from the concrete post). ⑬



- 29** - Complete the same process for the second leaf. ⑫ ⑬  
**30** - Gently close the two leaves to make sure that they are correctly aligned and plumb. The central columns must be at the same level.  
 If not, adjust the position by turning the hollow hex screw(s) on the top hinges and the screws on the hinge pins.  
 Gate adjusted, the central clearance between the 2 leaves should be roughly 15 mm. ⑭



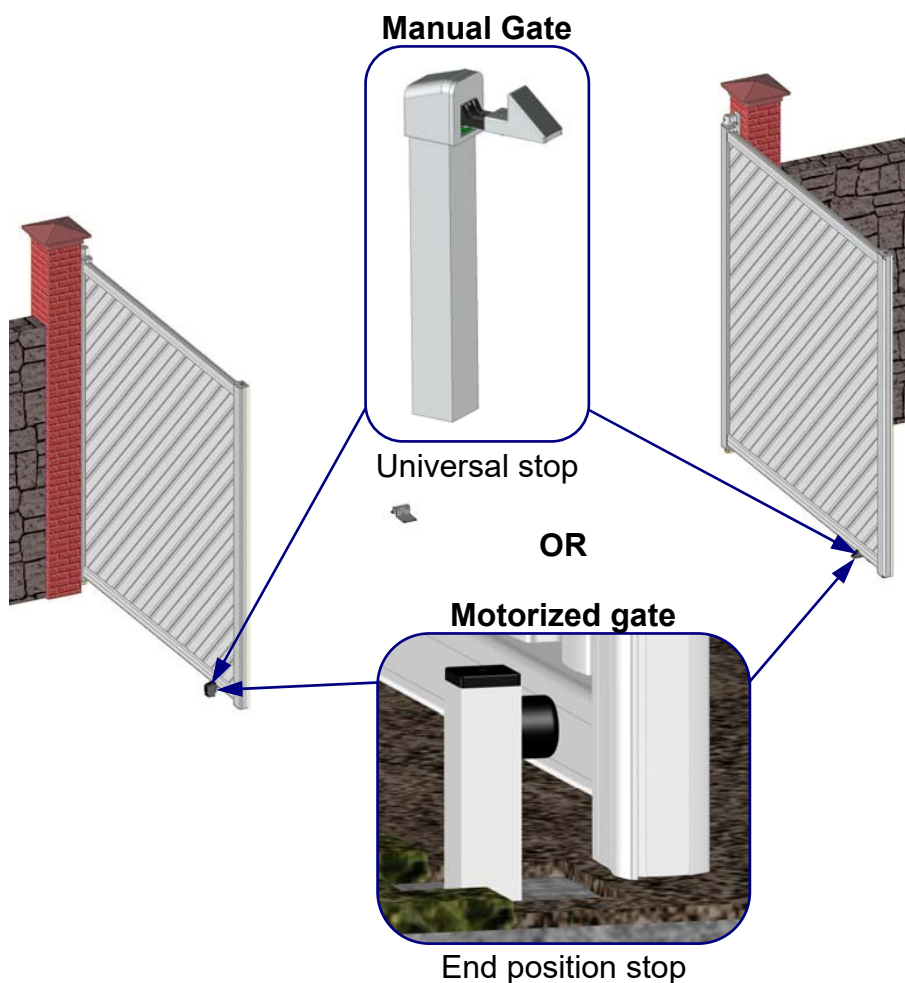
- 31** - Once the two leaves have been adjusted, adjust the clamp. ⑮



## Installing the lock

- For manual doors, install the handles and the lock square (provided in the accessory pack).
- Install the aluminum strike plate so that the latch bolt and the dead bolt glide freely.

## Installing the universal stops or end position stops

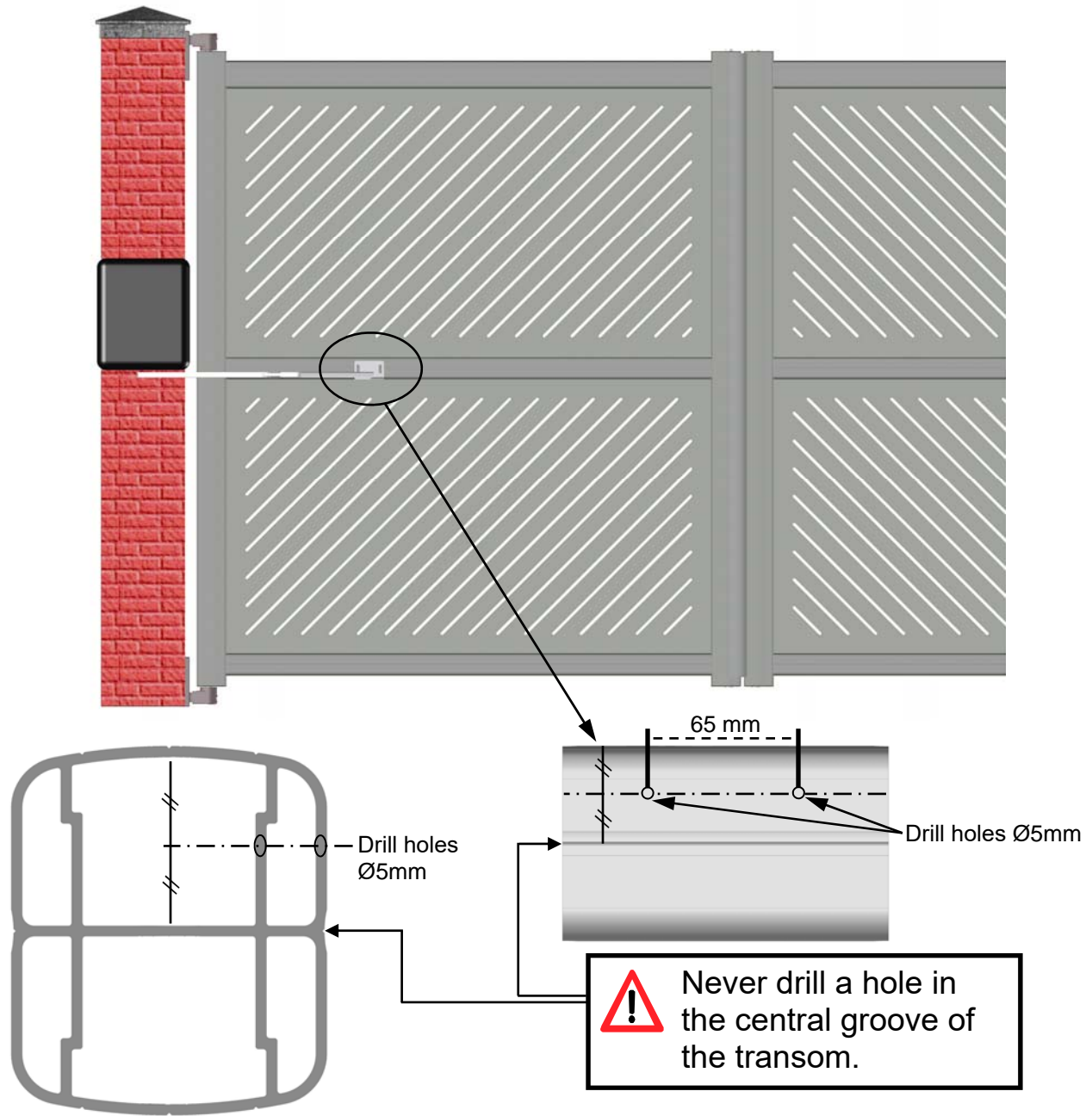


- Position the universal stops or the end position stops (leaves open).
- Draw the markings on the floor.
- Close the leaves.
- Seal the universal stops or the end positions stops into the floor.

For motorized gates, refer to the relevant operator installation manuals.

**Please note:** To install the operator arm on the gate transom, follow the instructions below.

# Fitting the operator arm



**Important:** Pre-drill holes in the 2 sides of the transom, using a Ø5mm drill bit.  
 Attach the operator arm to the transom with the Stainless steel sheet metal screws TH 6.3x38 + the flat Stainless steel washers 6.4x14 (provided).