

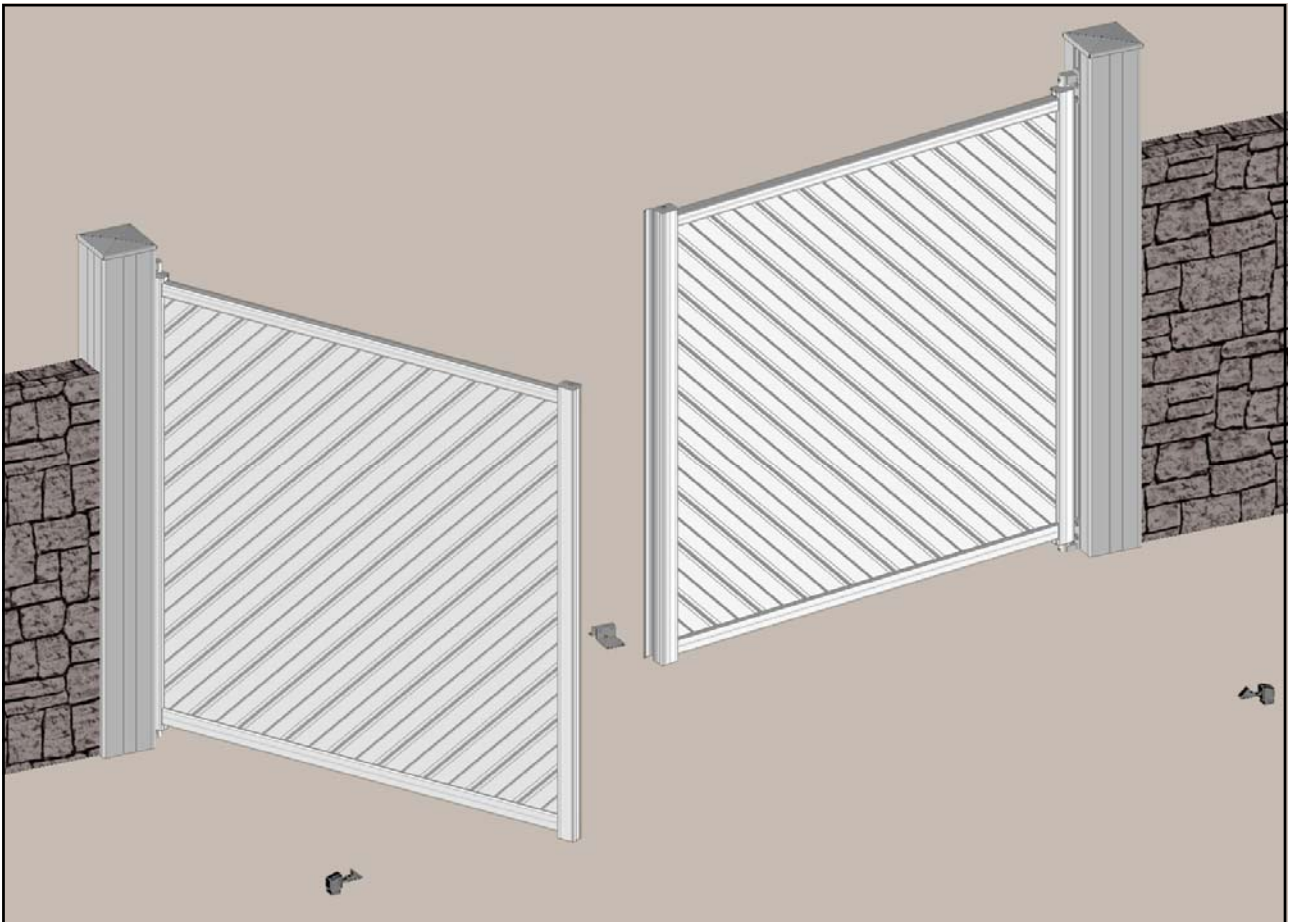
Installation manual

No. 7371

09/15

Aluminum gate 2-Leaf

Inter-wall or wall-mounted installation on aluminum posts



(Document reserved for installers)

Contents

Equipment required for installation.....	p.2
Installation instructions	p.3
Cabling diagram (if motorized gate)	p.4
Schematic diagram for wall-mounted installation on aluminum posts with or without threshold	p.4
Inter-wall installation on aluminum posts 220x220mm (without aluminum threshold).....	p.5
Inter-wall installation on aluminum posts and threshold	p.10
Installation of the lock and universal stops with or without aluminum threshold	p.15
Fitting the operator arm	p.16

Equipment required for installation

- | | | |
|--|-----------------|--|
| - Hammer drill | - Hammer/chisel | - Tape measure |
| - Set of steel/concrete drill bits | - Spirit level | - Appropriate screws and pins for the supports |
| - Electric screwdriver with end-pieces | - Plumb bob | - 10 mm shims |
| - Allen keys + Flat wrenches | - Hacksaw | |
| - Screwdriver | - Angle grinder | |

Installation instructions

CAUTION!

To ensure that this product is assembled, used and maintained in complete safety, it is important to follow the instructions provided in this document.

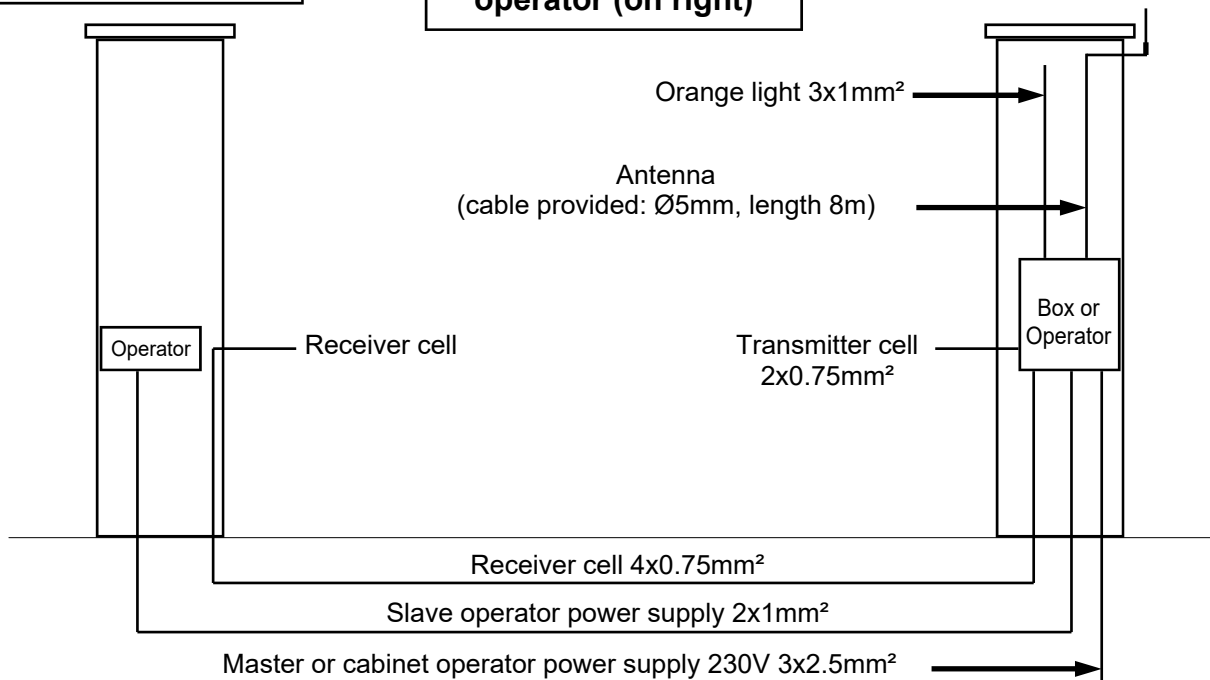
For everyone's safety, please observe the precautionary measures below.

- * Before beginning the assembly, read this manual carefully.
- * This closure must be installed by a professional technician.
- * All the parts delivered are specifically sized for this product. Adding and/or using other parts may be detrimental to safety and may affect the product's warranty.
- * Any modification or improvement of this closure must be compliant with the standard EN 13241-1. In this case, a "modification/transformation" file must be created by the installer as per the standard EN 12635 annex C.
- * Use the appropriate tools to install these products.
- * Ensure that the assembly area is clear, clean and clearly marked out.
- * Ensure that no other people are present at the assembly site apart from the installers. Non-authorized persons (children for example!) who are present at the site risk injury during assembly.
- * All the components of this closure must be installed in compliance with the installation instructions provided in this manual.
- * All the requirements of the standards EN 13241-1 must be met and verified if necessary.

Cabling diagram (if motorized gate)

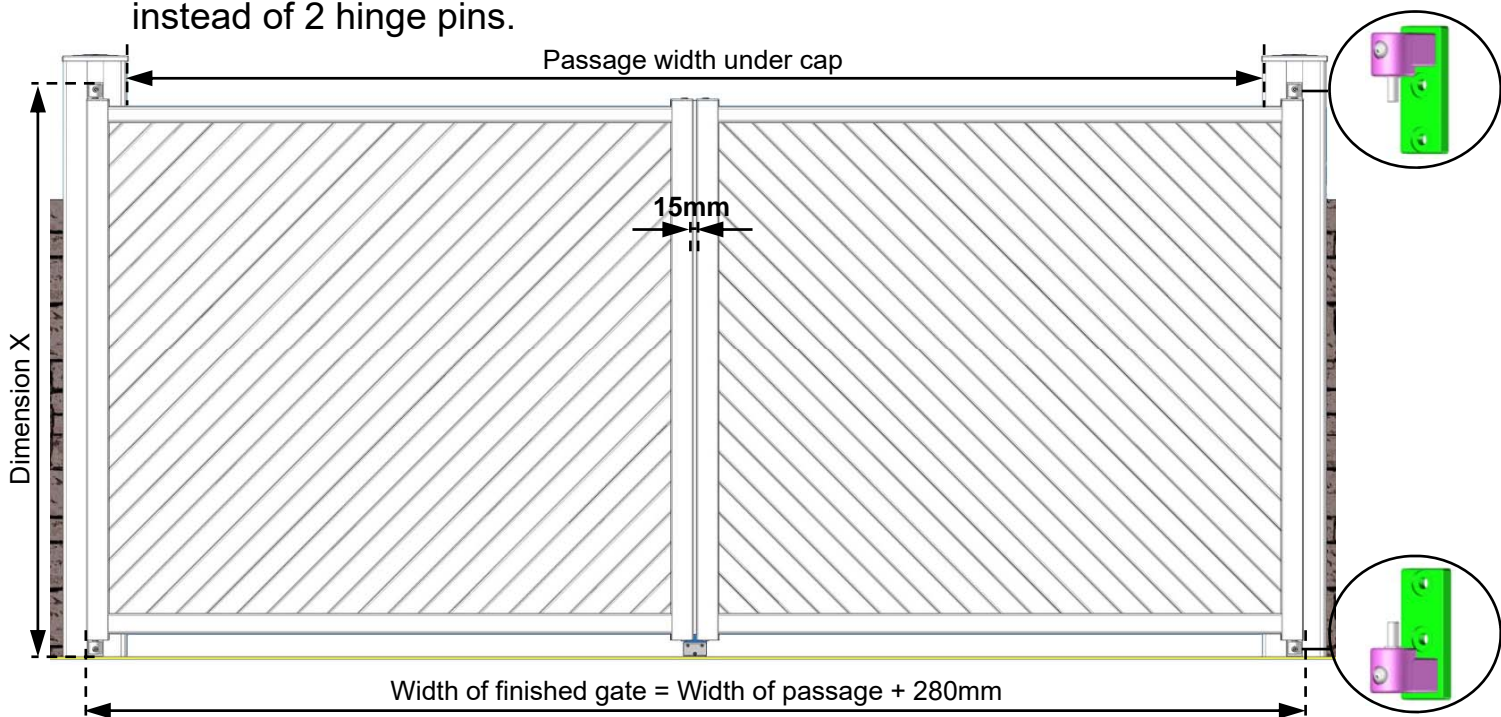
Refer to the relevant motorization manual

Example: master operator (on right)



Schematic diagram for wall-mounted installation on aluminum posts with or without threshold

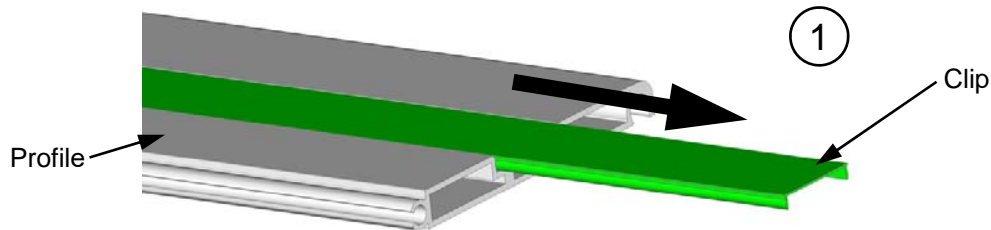
- For wall-mounted installations with threshold, use 2 bottom hinges instead of 2 hinge pins.



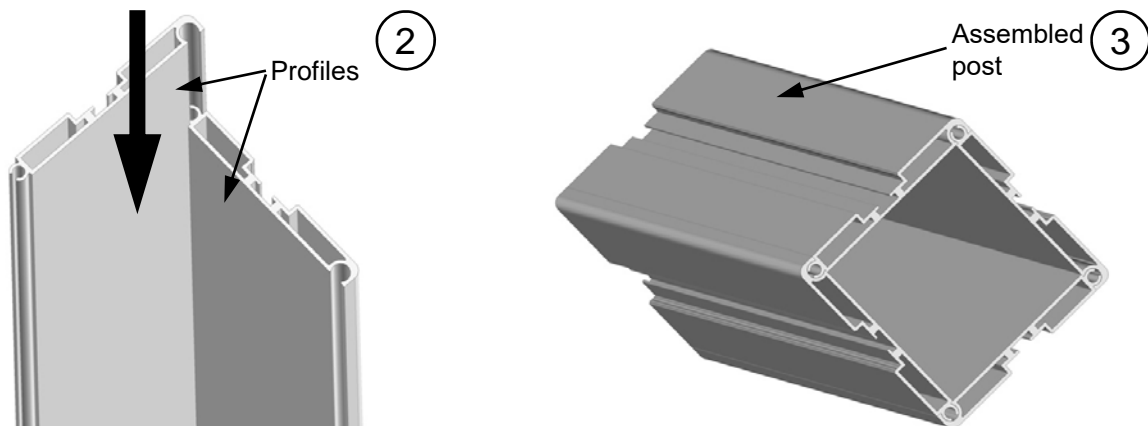
Inter-wall installation on aluminum posts 220x220mm (without aluminum threshold)

! For wall-mounted installations follow the instructions in "NOTES".

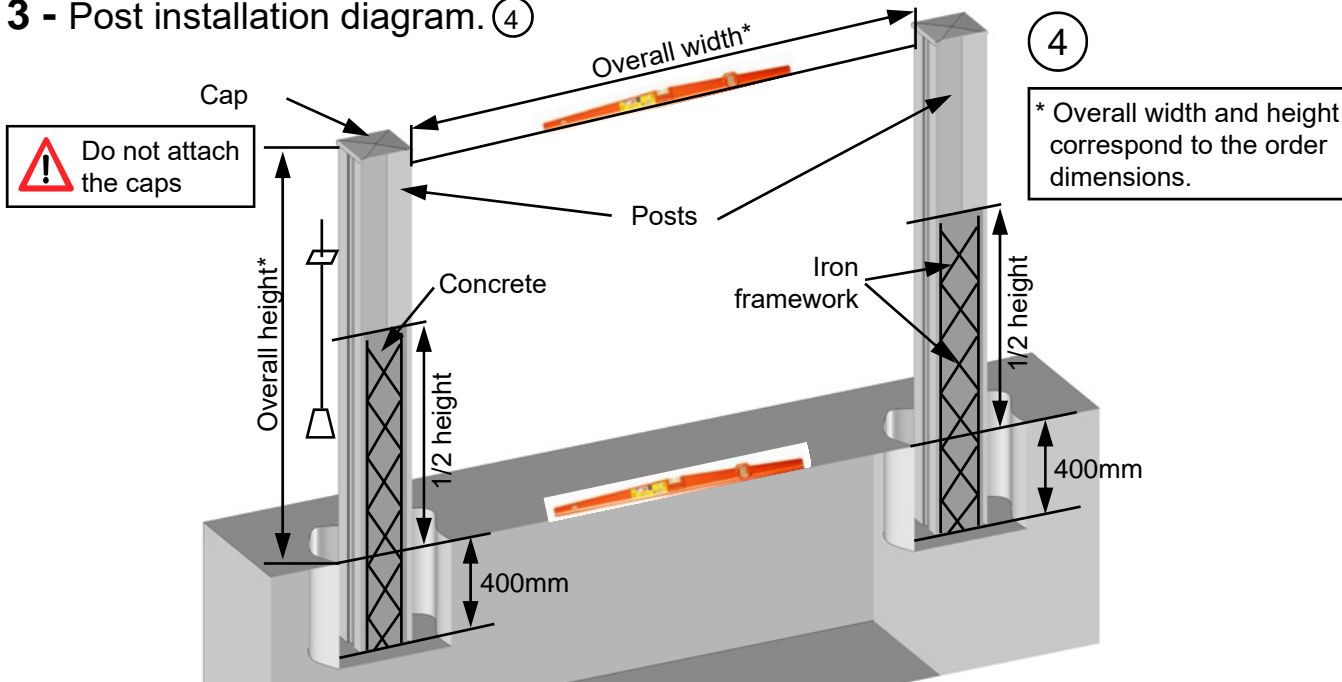
1 - Remove the clips before assembling the profiles. ①



2 - Assemble the profiles to create the aluminum posts 220x220mm. ②③



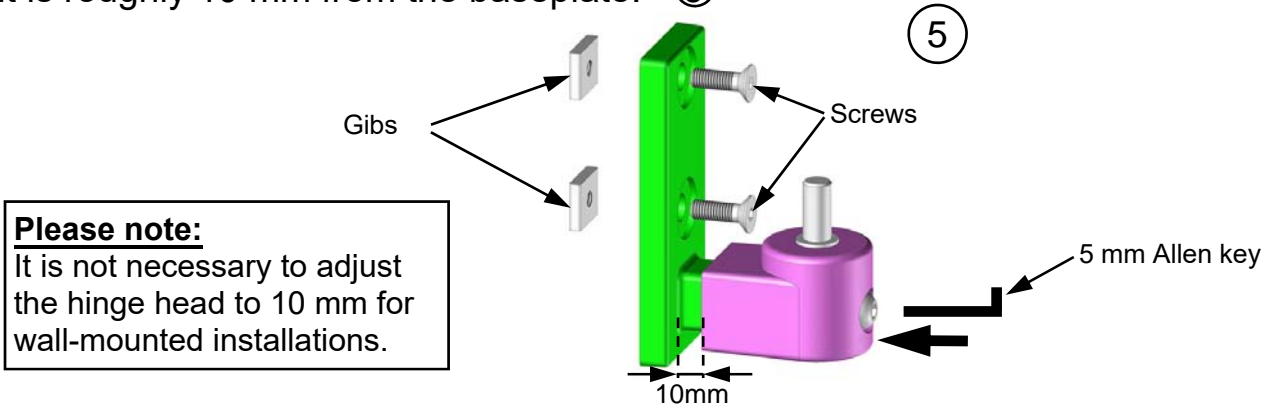
3 - Post installation diagram. ④



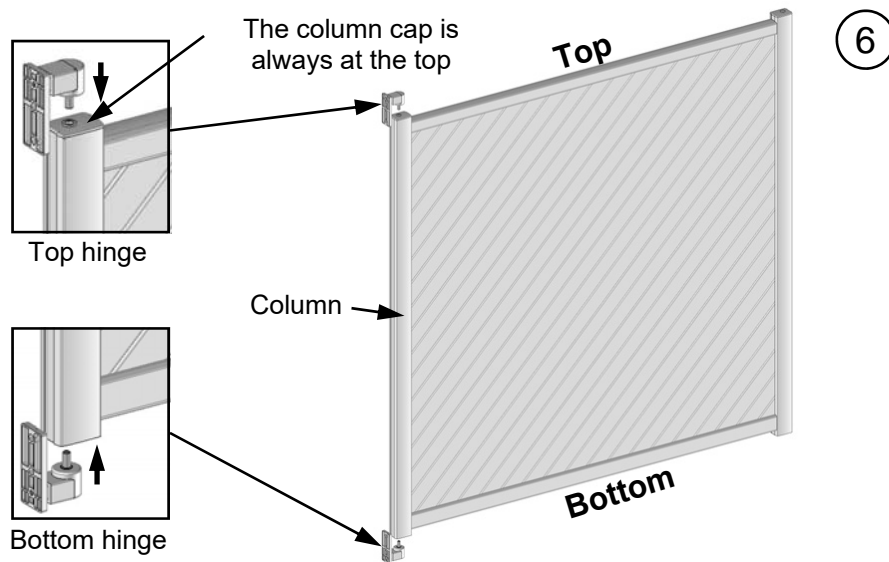
! It is essential that the posts are plumb on all sides. (They must not close, open or lean inwards or outwards). The 2 posts must be at the same level and correctly aligned.

4 - Before installing the gate, check that the Concrete/Post is completely set (21 days to dry on average).

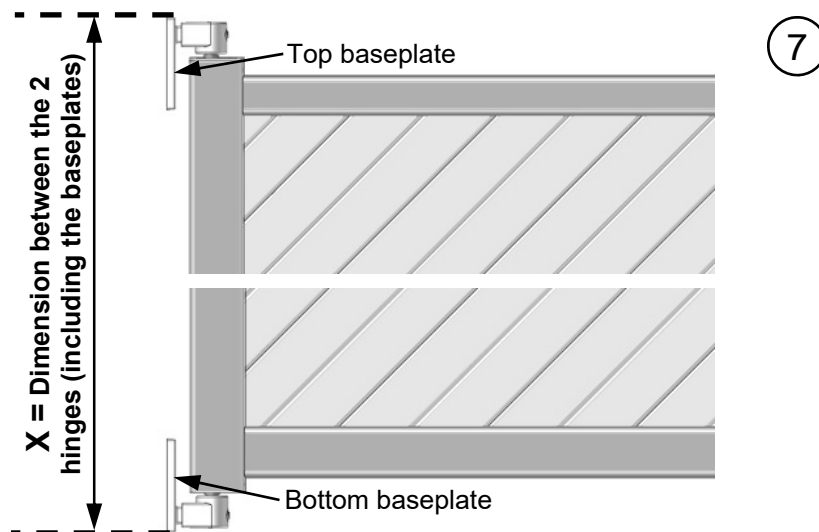
5 - Install the gibs (drilled squares) on the hinge baseplates with the screws provided and adjust the bottom hinge head with the 5 mm Allen key so that it is roughly 10 mm from the baseplate. ⑤



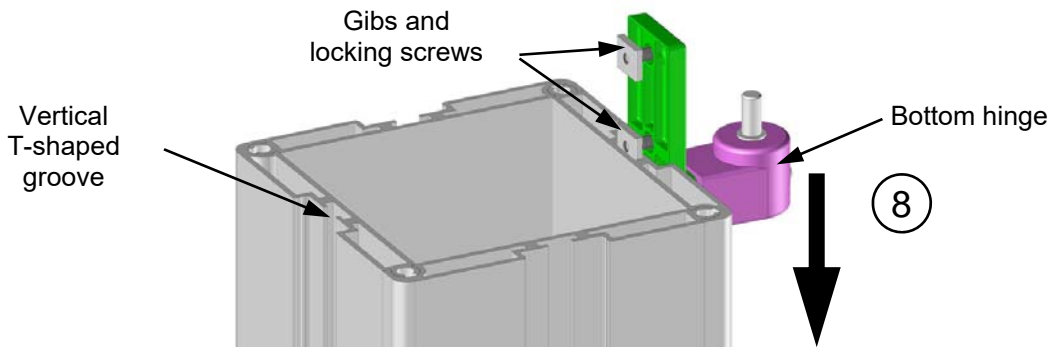
6 - Position the top and bottom hinges in the holes of the leaf column. ⑥



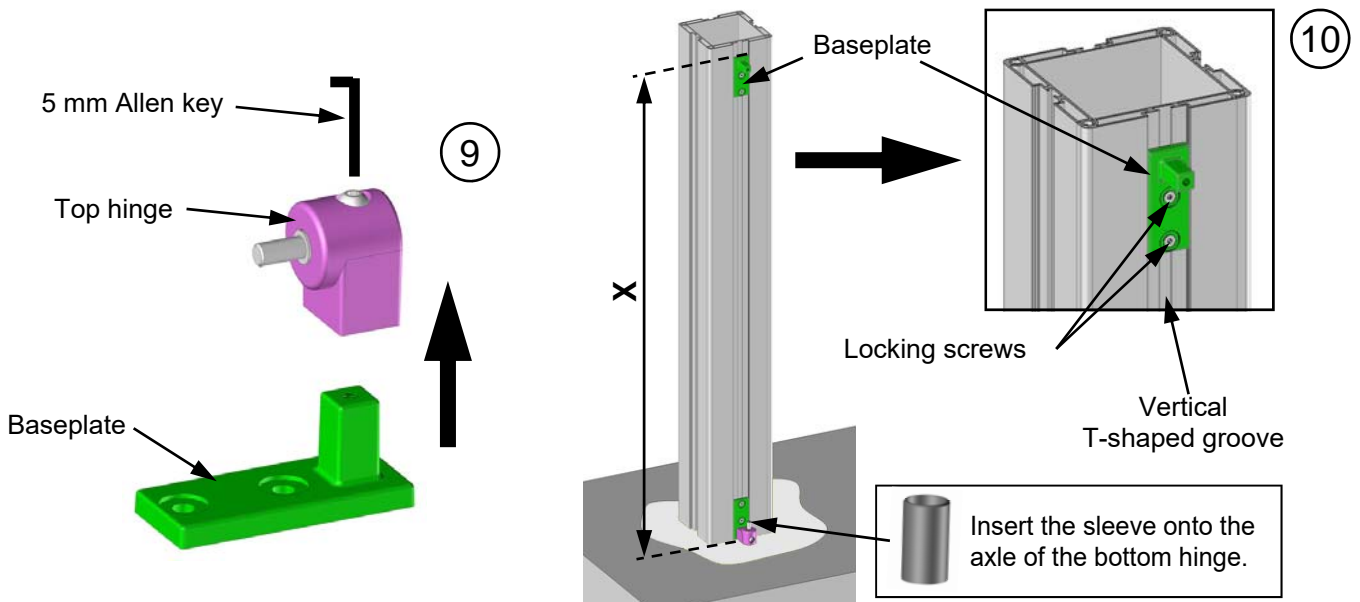
7 - Measure the "X" dimension which should correspond to the total height between the two hinges, including the baseplates. ⑦



8 - Slide the bottom hinges fitted with the gibs down to the floor, into the vertical T-shaped groove in the post 220x220mm. Tighten the locking screws after checking that they are at the same level. ⑧

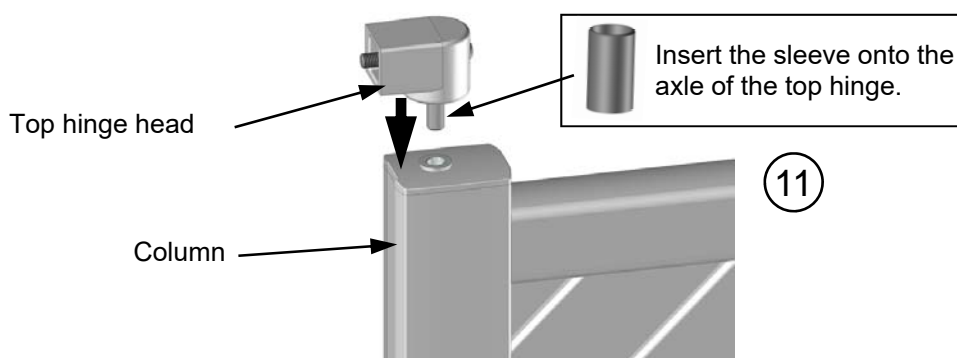


9 - Disassemble the top hinges and position their baseplates on the "X" dimension in the vertical T-shaped groove in the post 220x220mm. ⑨⑩
Tighten the locking screws, checking that the 2 top hinges are at the same level. ⑩



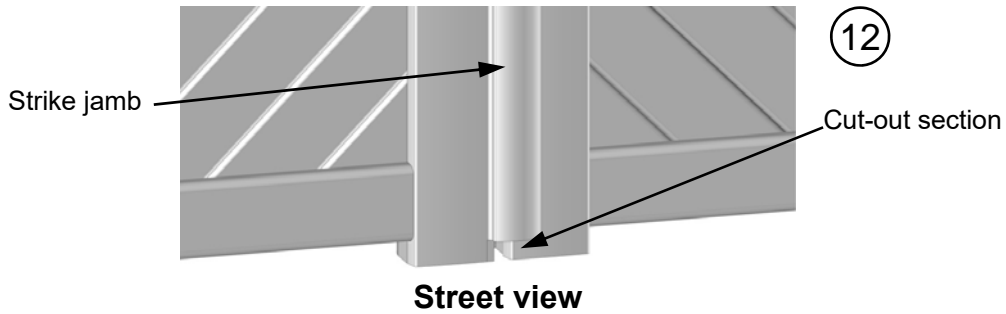
10 - Adjust and position the cladding clips in the T-shaped grooves between the hinges and on each side of the posts.

11 - Install the top hinge heads on the leaf columns. ⑪



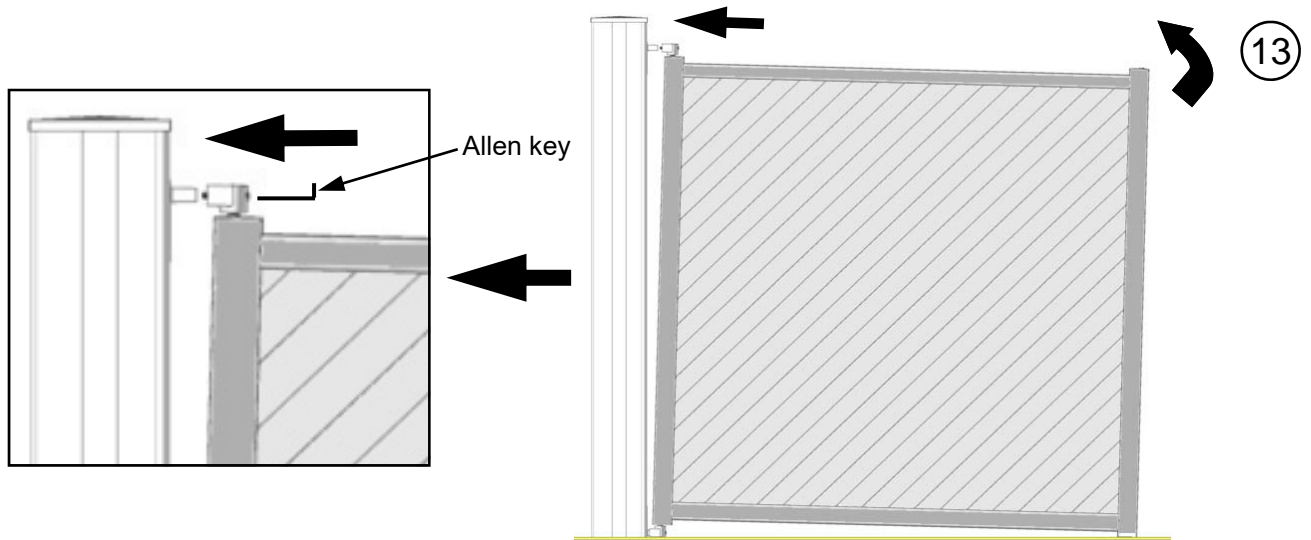
12 - Identify the left and right leaves (street view).⁽¹²⁾

The cut-out section of the strike jamb must always be street side.



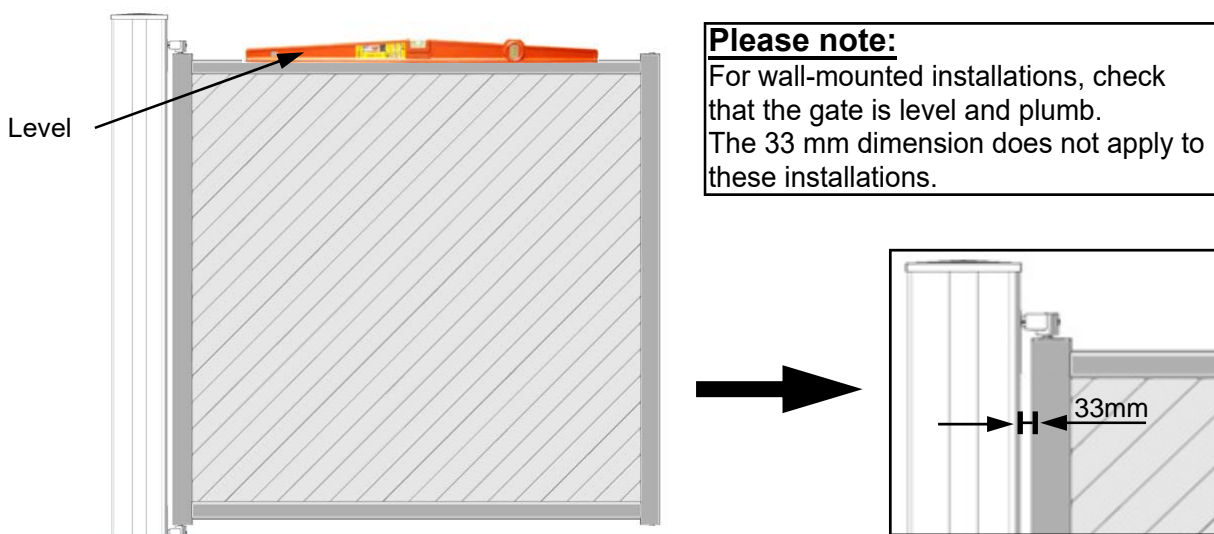
13 - Take a leaf and position it on the axle of the bottom hinge.

Move the leaf towards the post and insert the top hinge head into its baseplate and using a 5 mm Allen key, tighten the hollow hex screw on the hinge head.⁽¹³⁾



14 - Adjust the leaf so that it is level.⁽¹⁴⁾

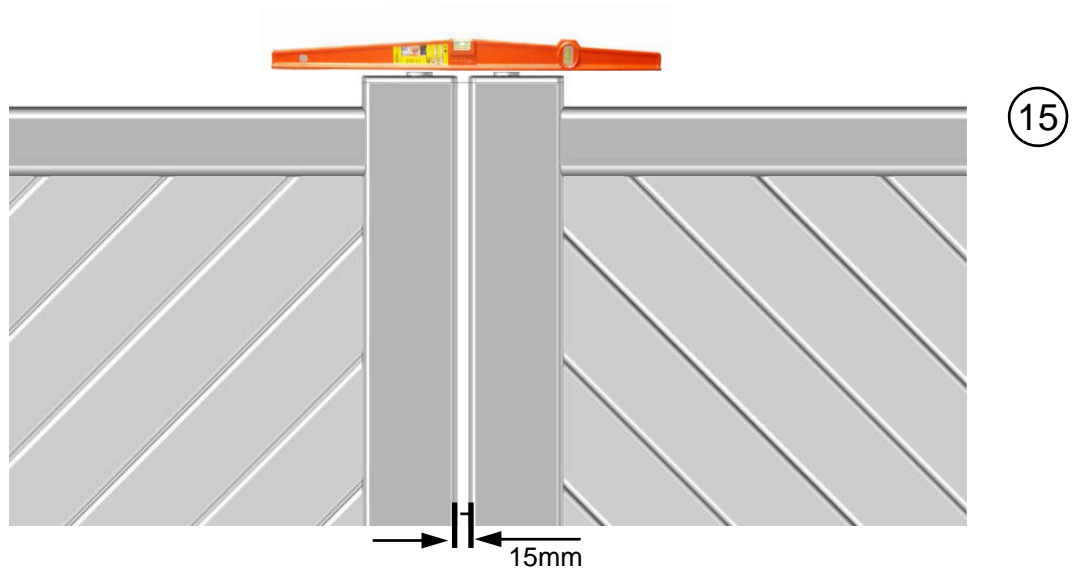
(Leaf is level, the vertical column is roughly 33 mm from the post).



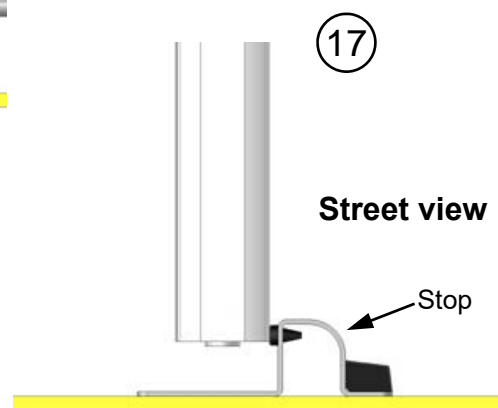
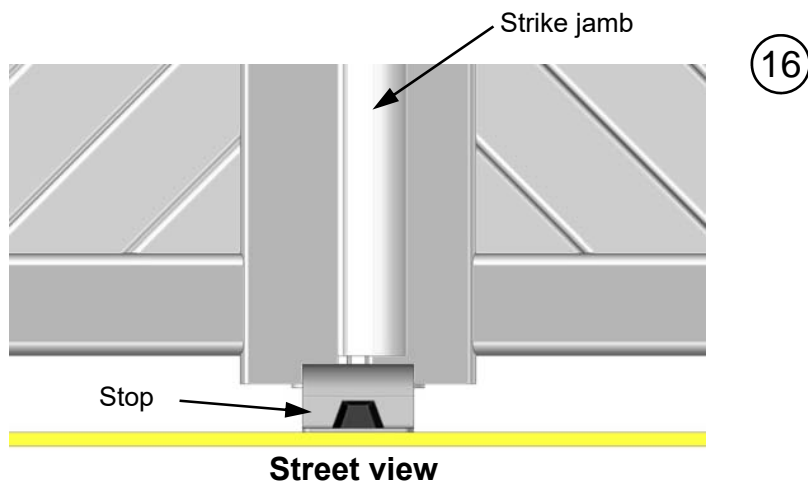
Please note:
For wall-mounted installations, check that the gate is level and plumb. The 33 mm dimension does not apply to these installations.

15 - Complete the same process for the second leaf.^{(13) (14)}

- 16** - Gently close the two leaves to make sure that they are correctly aligned and plumb. The central columns must be at the same level.
 If not, adjust the position by turning the hollow hex screw(s) on the top and/or bottom hinges.
 Gate adjusted, the central clearance between the 2 leaves should be roughly 15 mm. (15)



- 17** - Once the two leaves have been adjusted, position the central stop on the floor on the outer side. If the stop is not in contact with the leaves, move it higher. (16)(17)

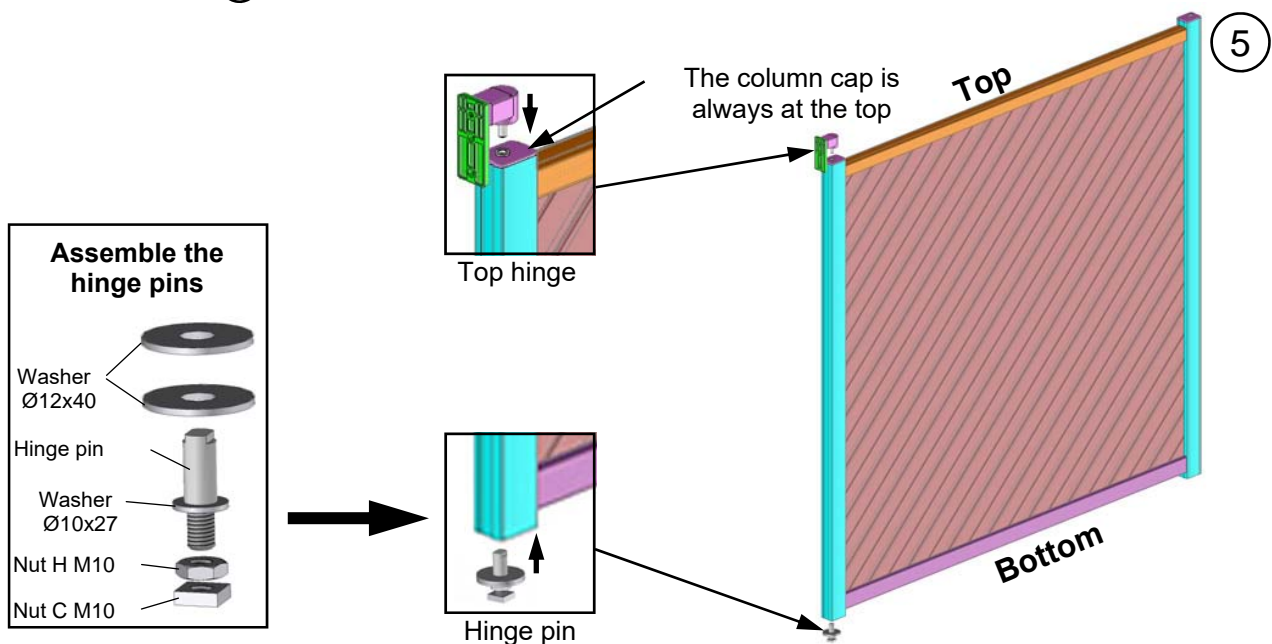


Inter-wall installation on aluminum posts and threshold

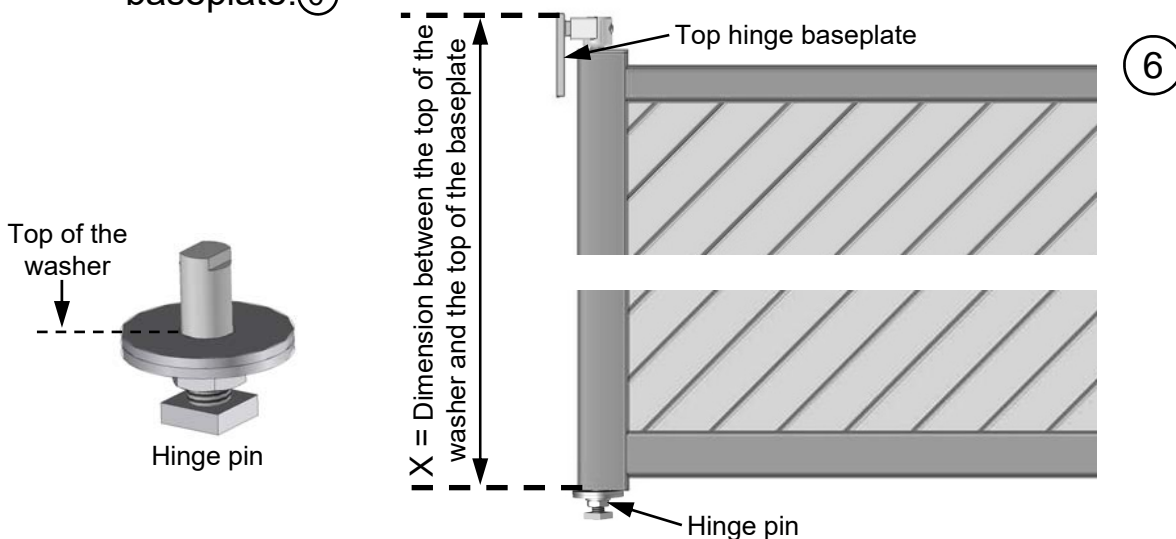
Please note: For a wall-mounted installation, follow the procedure in the manual without threshold, in chapters 1 to 16, and the procedure in chapter 33 of this section.

Before operating the product, follow the instructions in points 1, 2, 3 and 4 on p.5 and p.6.

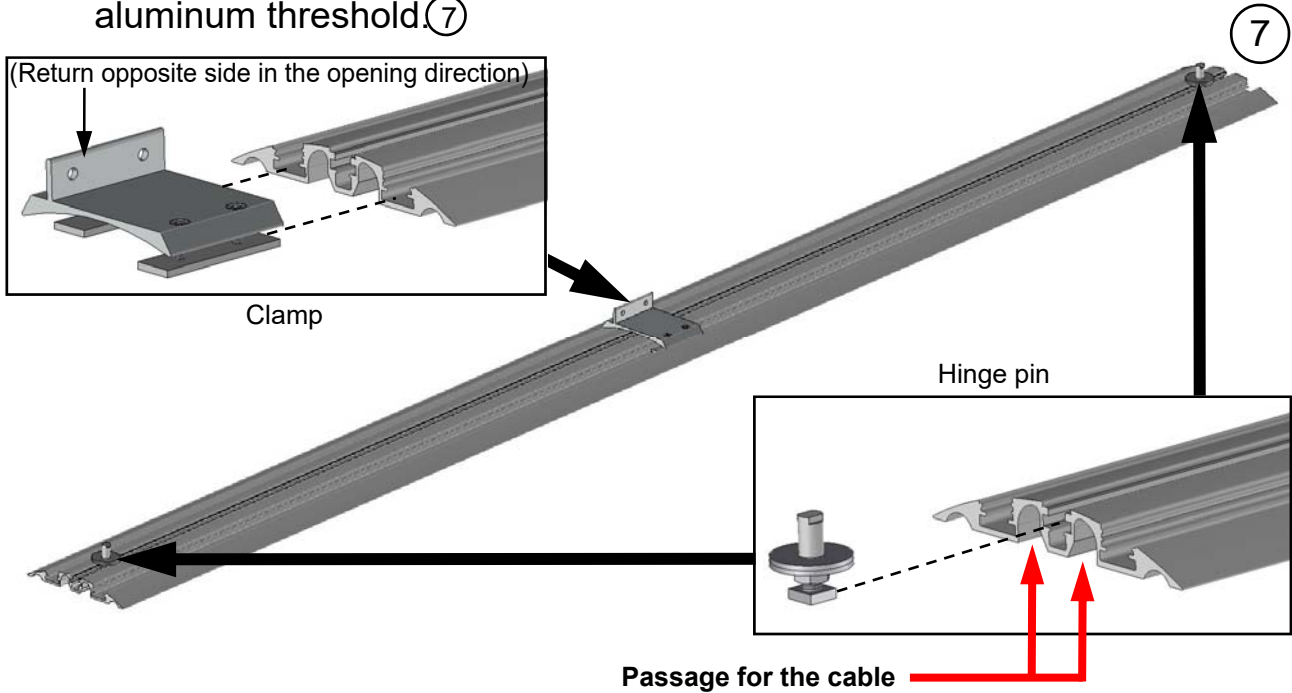
18 - Position the top hinges and the hinge pins in the holes of the leaf column. ⑤



19 - Measure the "X" dimension which should correspond to the total height between the top of the hinge pin washer and the top of the top hinge baseplate. ⑥




20 - Insert the clamp and the 2 hinge pins (right and left) into the grooves of the aluminum threshold.⑦

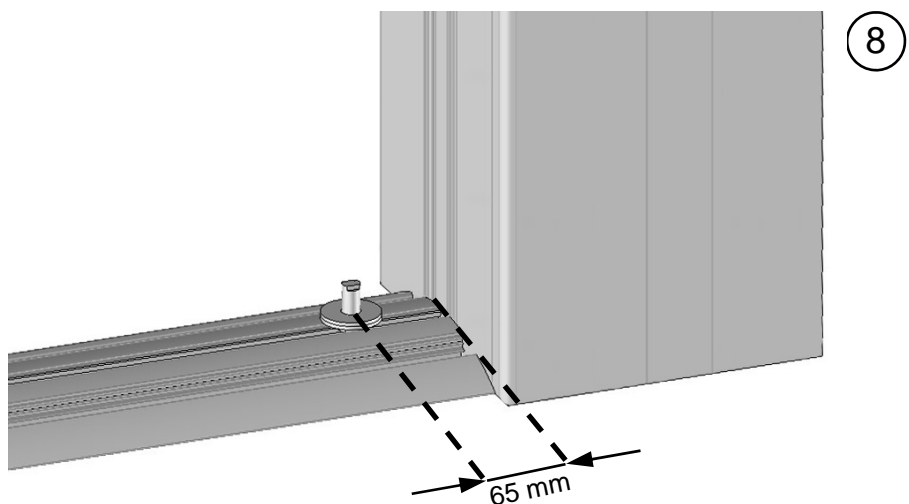


! Before positioning the threshold on the floor, insert a needle or a sheath into the cable passage in order to pull the cable through.

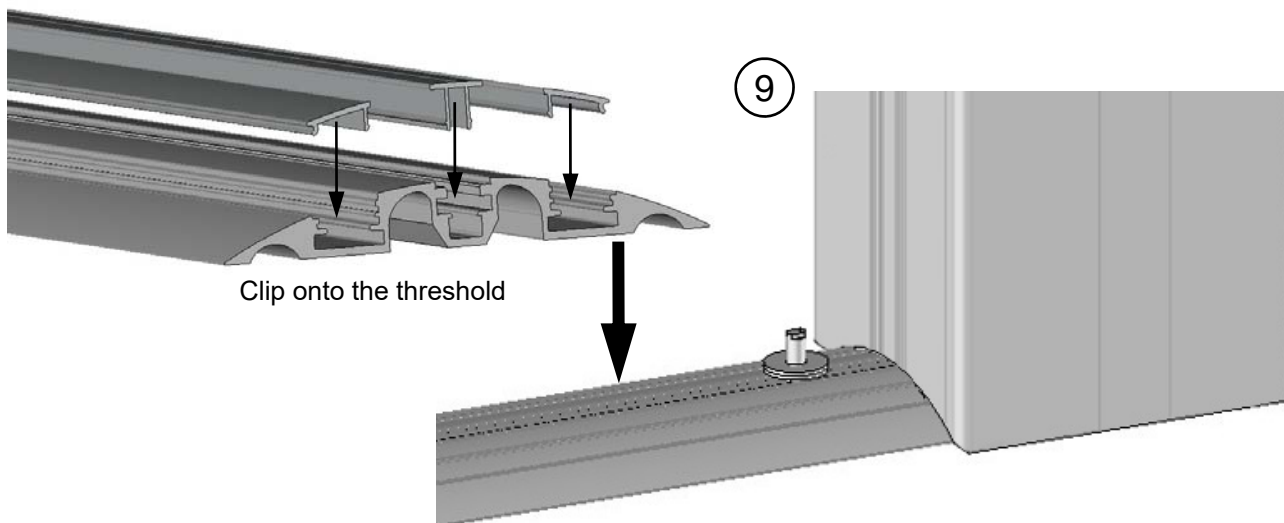
21 - Position the threshold between the posts, check that it is correctly aligned and level.
(Use the 8 mm pins and appropriate screws to attach the threshold).

! Ensure it is at the correct level using the washers provided → 

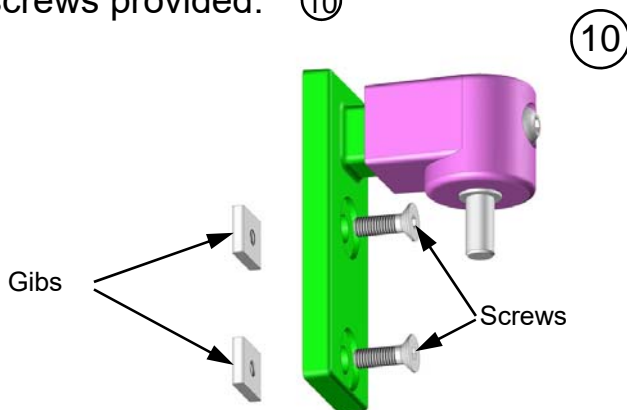
22 - Adjust the hinge pins so that the pivot axles are 65 mm from the posts.⑧



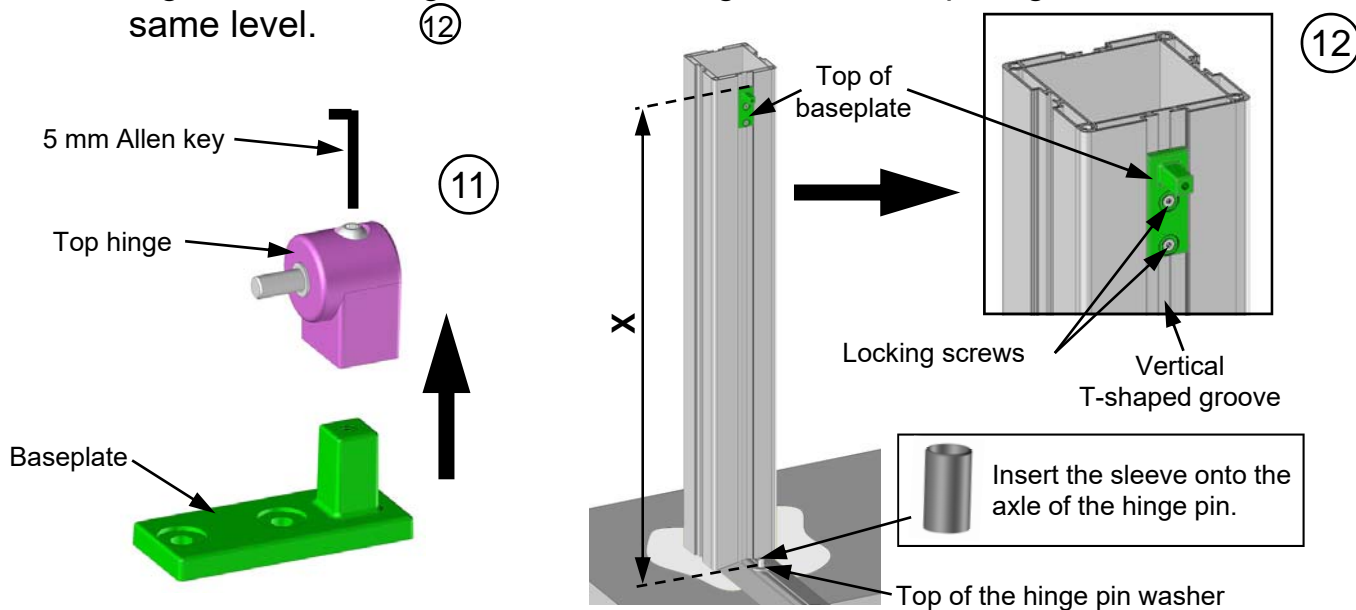
23 - Center the clamp on the threshold. Cut the clips according to the position of the clamp and hinge pins, then clip them onto the threshold. (9)



24 - Install the gibs (drilled squares) onto the top hinge baseplates with the screws provided. (10)

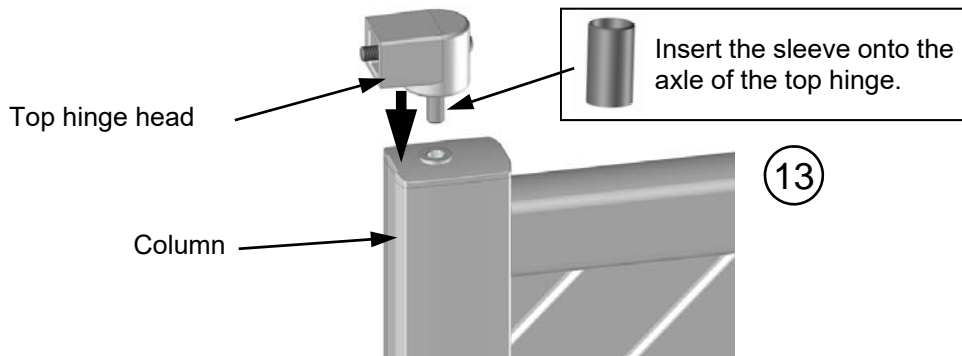


25 - Disassemble the top hinges and position their baseplates on the "X" dimension in the vertical T-shaped groove in the post 220x220mm. (11) (12)
Tighten the locking screws, checking that the 2 top hinges are at the same level. (12)



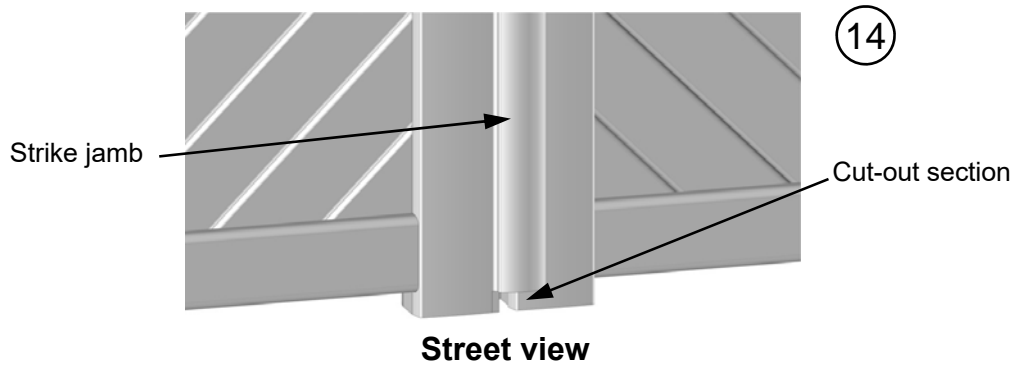
26 - Adjust and position the cladding clips in the T-shaped grooves between the hinges and on each side of the posts.

27 - Install the hinge heads on the leaf columns. (13)



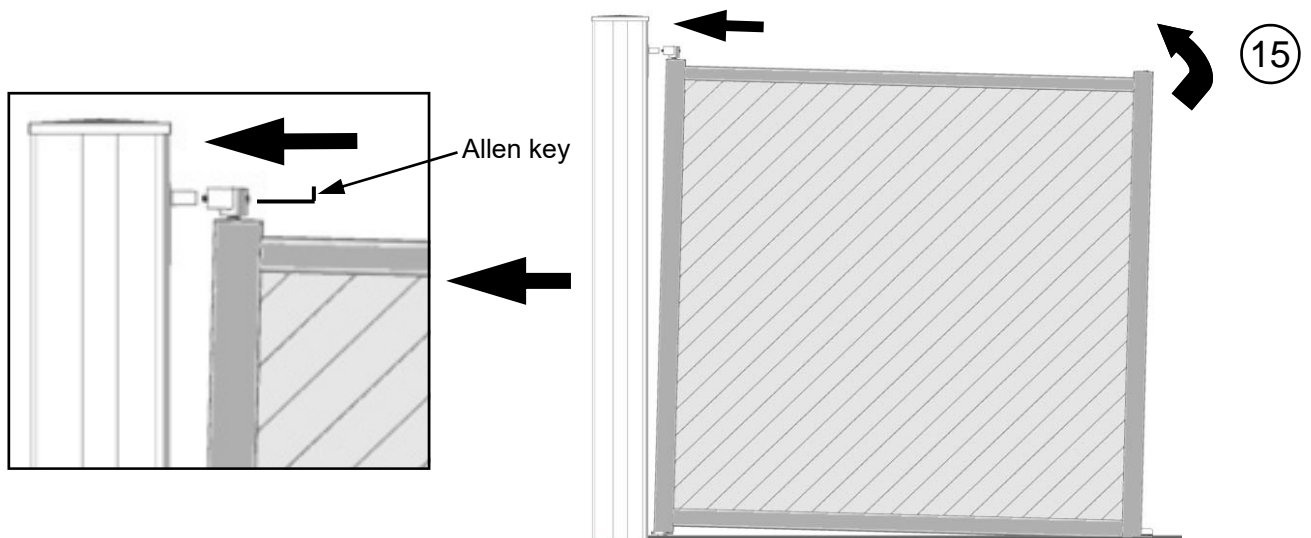
28 - Identify the left and right leaves (street view). (14)

The cut-out section of the strike jamb must always be street side.

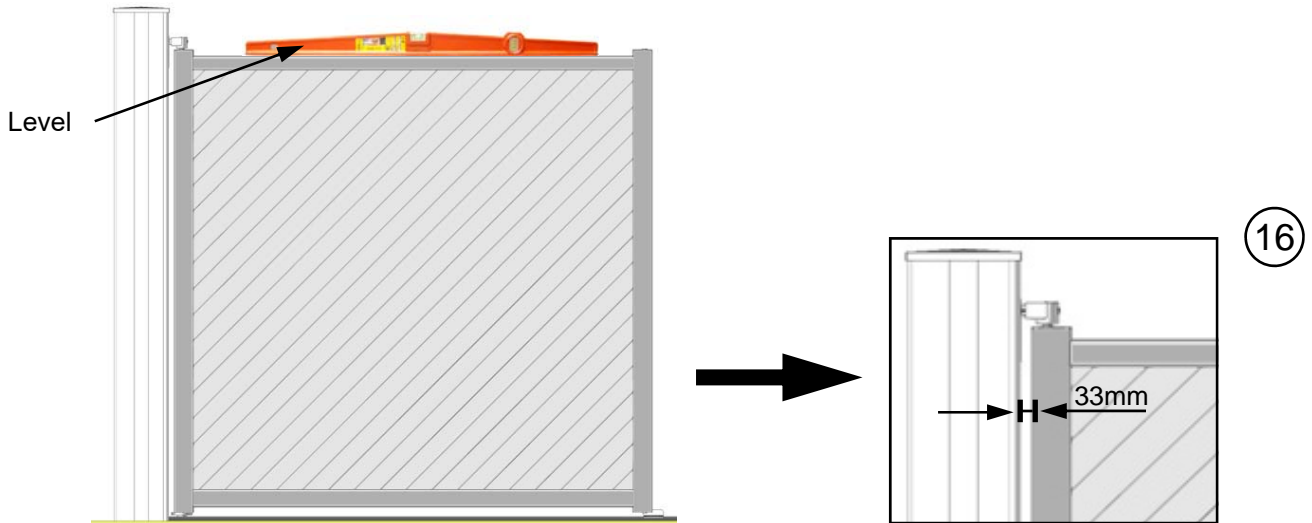


29 - Take a leaf and position it on the axle of the hinge pin.

Move the leaf towards the post and insert the top hinge head into its baseplate. Use a 5 mm Allen key to tighten the hollow hex screw on the hinge head. (15)

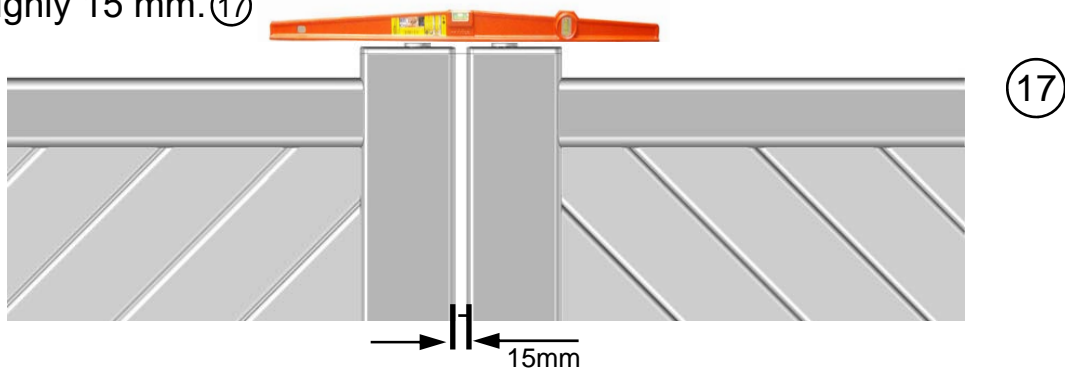


- 30** - Position the leaf so it is level and plumb. ⑩
 (Leaf is level, the vertical column is roughly 33 mm from the post).

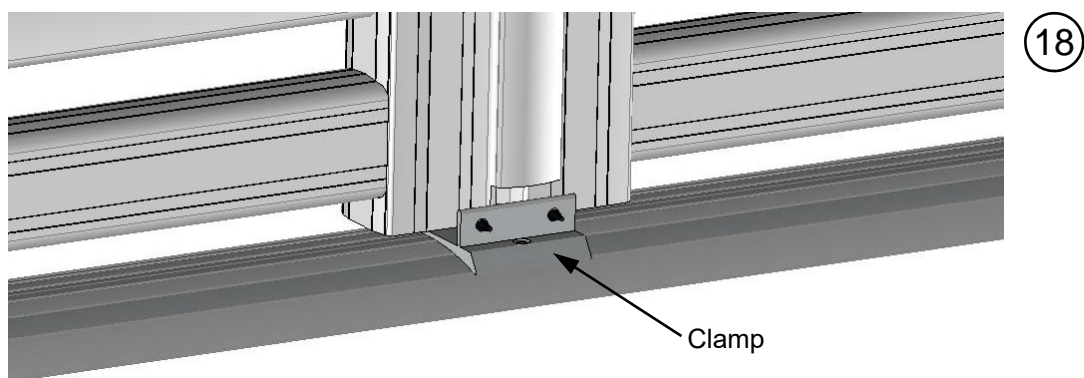


- 31** - Complete the same process for the second leaf. ⑪⑩

- 32** - Gently close the two leaves to make sure that they are correctly aligned and plumb. The central columns must be at the same level.
 If not, adjust the position by turning the hollow hex screw(s) on the top hinges and the screws on the hinge pins.
 Gate adjusted, the central clearance between the 2 leaves should be roughly 15 mm. ⑪



- 33** - Once the two leaves have been adjusted, adjust the clamp. ⑫

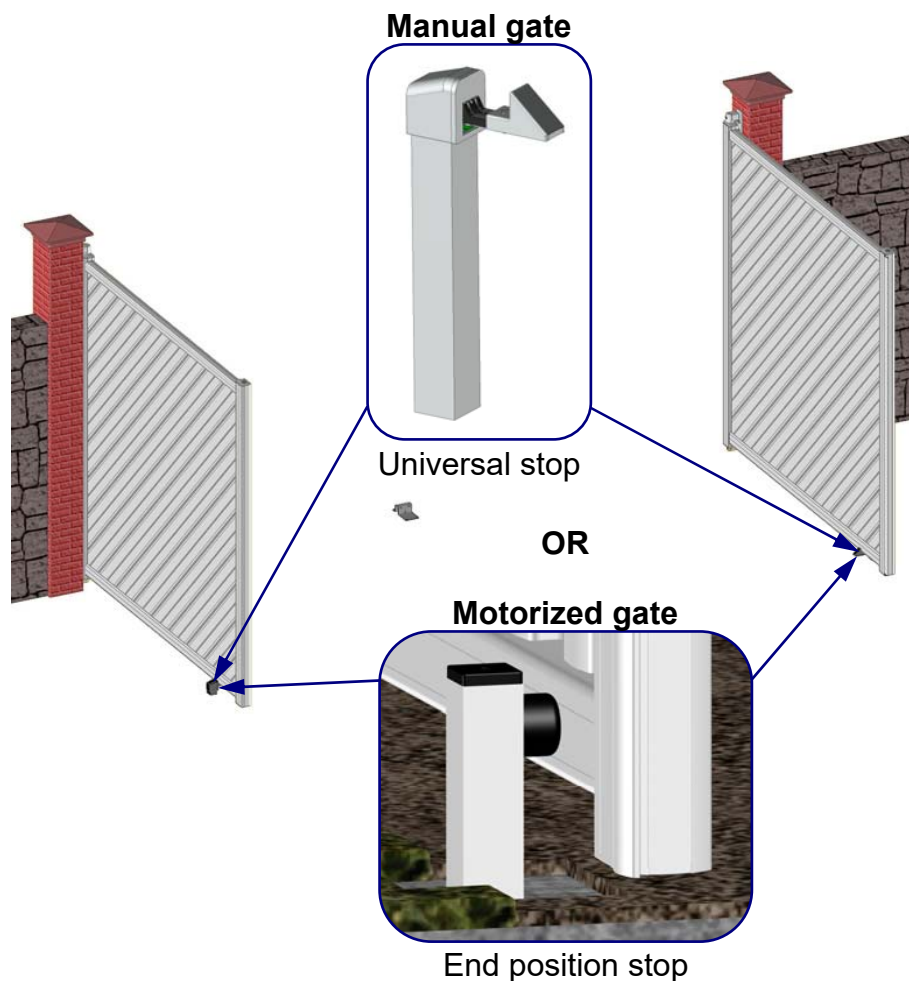


Closing side view

Installing the lock

- For manual doors, install the handles and the lock square (provided in the accessory pack).
- Install the aluminum strike plate so that the latch bolt and the dead bolt glide freely.

Installing the universal stops or end position stops

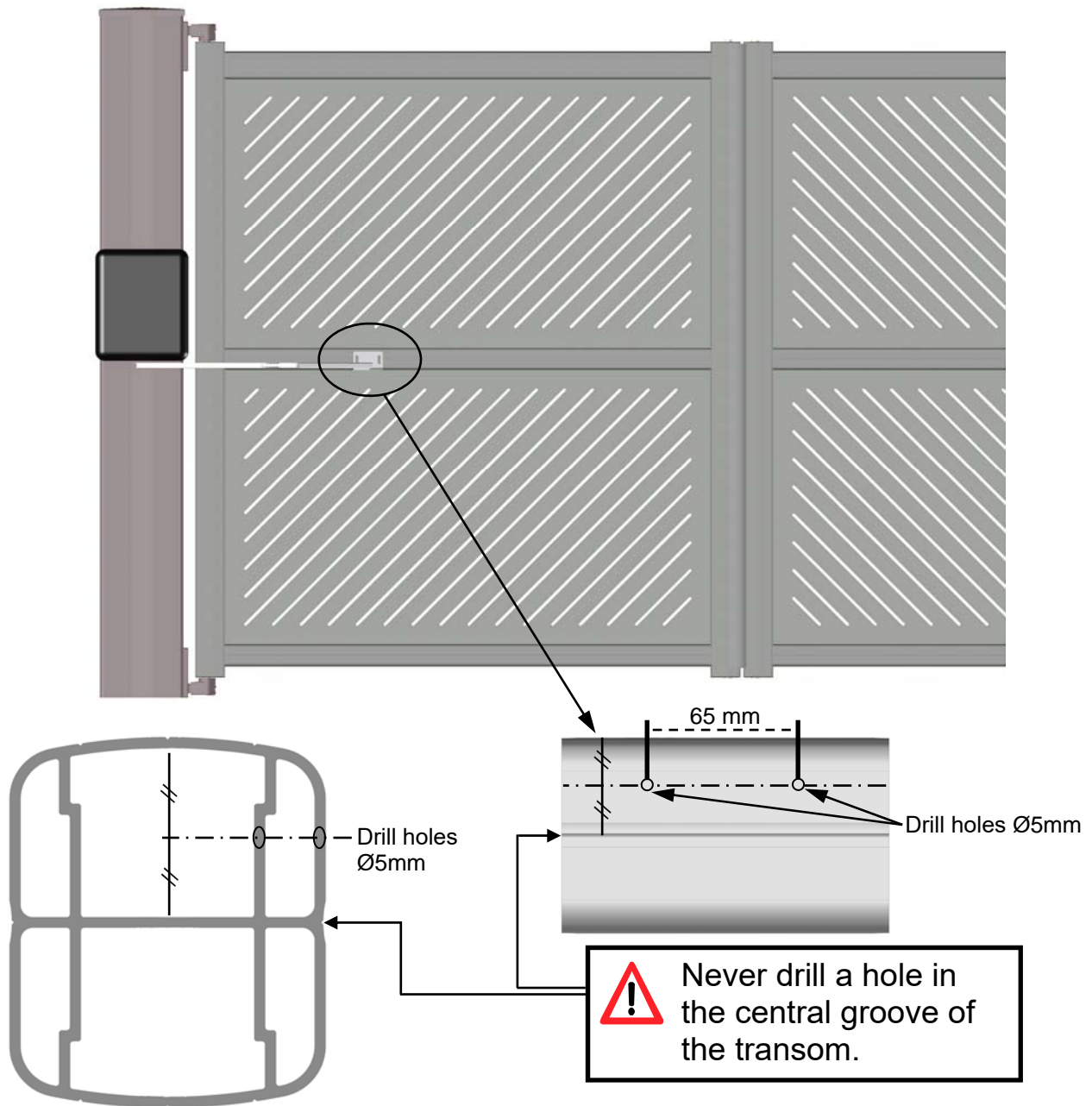


- Position the universal stops or the end position stops (leaves open).
- Draw the markings on the floor.
- Close the leaves.
- Seal the universal stops or the end positions stops into the floor.

For motorized gates, refer to the relevant operator installation manuals.

Please note: To install the operator arm on the gate transom, follow the instructions below.

Fitting the operator arm



Important: Pre-drill holes in the 2 sides of the transom, using a Ø5mm drill bit.
 Attach the operator arm to the transom with the Stainless steel sheet metal screws TH 6.3x38 + the flat Stainless steel washers 6.4x14 (provided).