

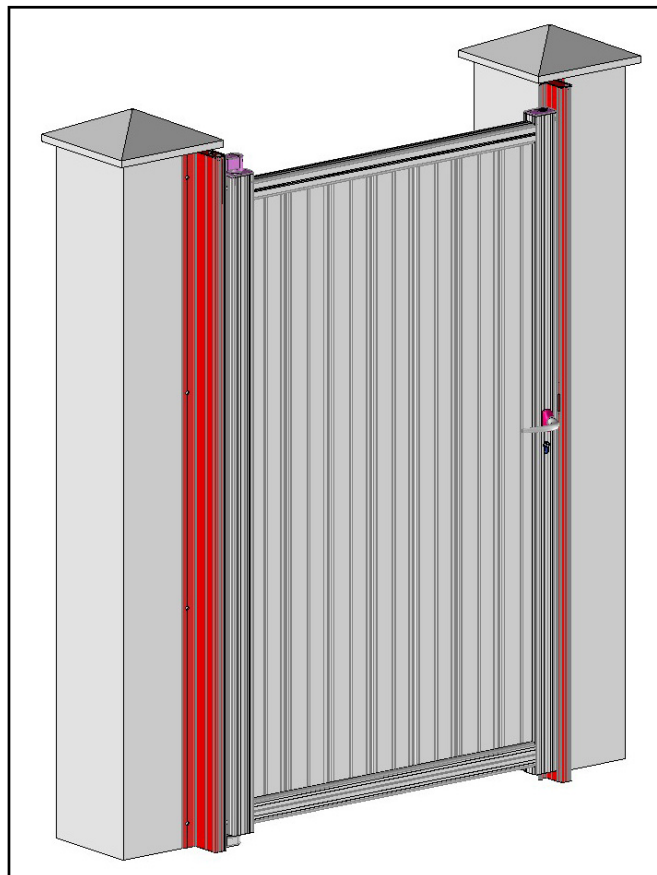
# Installation manual

No. 7376

09/15

## Wall-mounted WICKET DOOR

### Installation on posts



(Document reserved for installers)

## Contents

Equipment required for installation.....	p.2
Installation instructions.....	p.3
Assembling the aluminum posts .....	p.4
Installing the aluminum posts.....	p.4
Checking existing posts .....	p.5
Installing the connecting strips .....	p.6
Installing the wicket door .....	p.7
Finishes.....	p.9

## Equipment required for installation

- |                                        |                 |                                               |
|----------------------------------------|-----------------|-----------------------------------------------|
| - Hammer drill                         | - Hammer/chisel | - Tape measure                                |
| - Set of steel/concrete drill bits     | - Spirit level  | - Appropriate screws and pins for the support |
| - Electric screwdriver with end-pieces | - Plumb bob     | - Angle grinder                               |
| - Allen keys + Flat wrenches           | - Hacksaw       |                                               |
| - Screwdriver                          |                 |                                               |

## Installation instructions

### **CAUTION!**

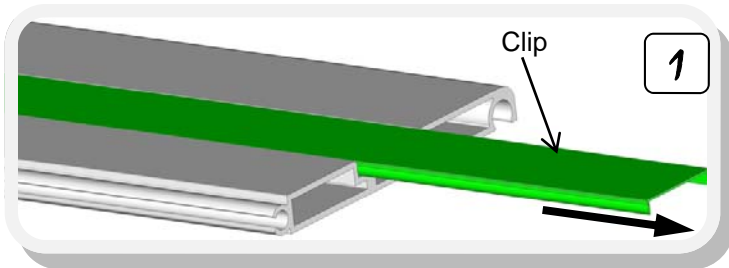


**To ensure that this product is assembled, used and maintained in complete safety, it is important to follow the instructions provided in this document.  
For everyone's safety, please observe the precautionary measures below.**

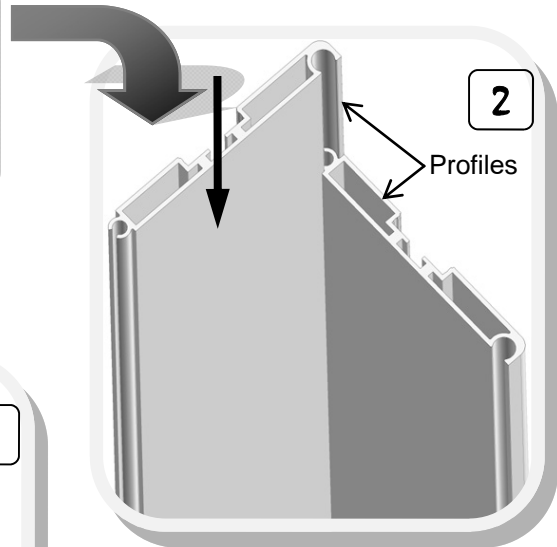


- \* Before beginning the assembly, read this manual carefully.
- \* This closure must be installed by a professional technician.
- \* All the parts delivered are specifically sized for this product.  
Adding and/or using other parts may be detrimental to safety and may affect the product's warranty.
- \* Any modification or improvement of this closure must be compliant with the standard EN 13241-1.  
In this case, a "modification/transformation" file must be created by the installer as per the standard EN 12635 annex C.
- \* Use the appropriate tools to install these products.
- \* Ensure that the assembly area is clear, clean and clearly marked out.
- \* Ensure that no other people are present at the assembly site apart from the installers.  
Non-authorized persons (children for example!) who are present at the site risk injury during assembly.
- \* All the components of this closure must be installed in compliance with the installation instructions provided in this manual.
- \* All the requirements of the standards EN 13241-1 must be met and verified if necessary.

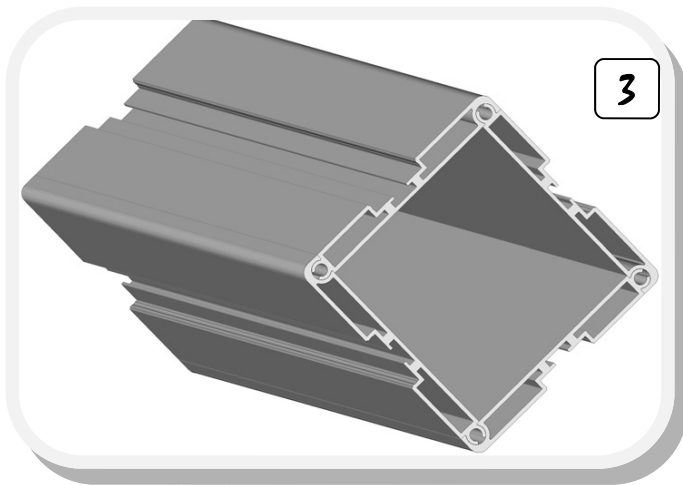
# Assembling the aluminum posts



Remove the clips before assembling the profiles

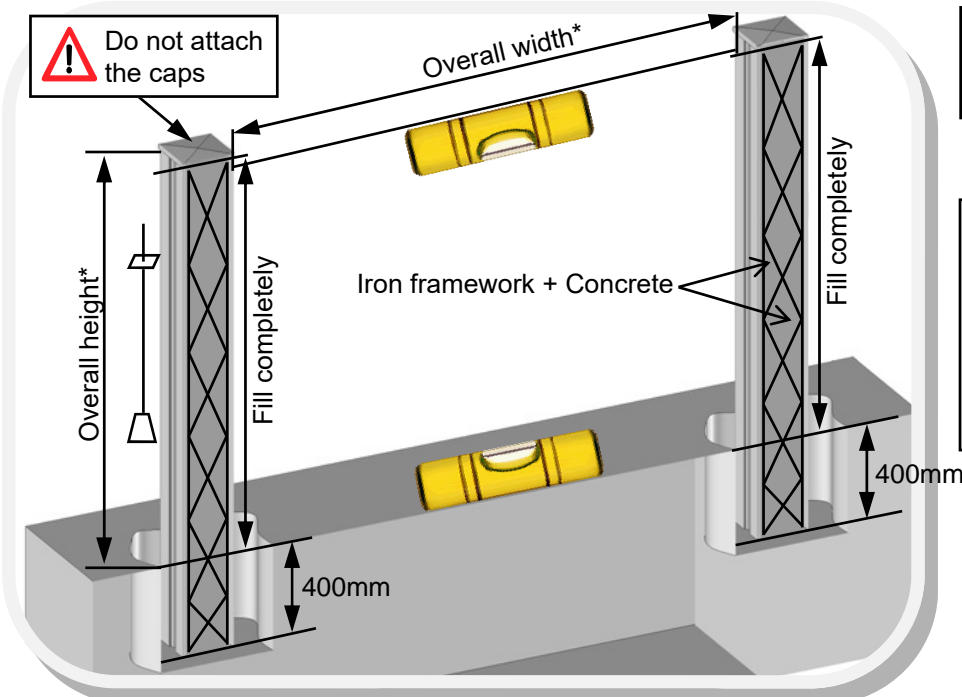


Assemble the profiles



Assembled posts

# Installing the aluminum posts

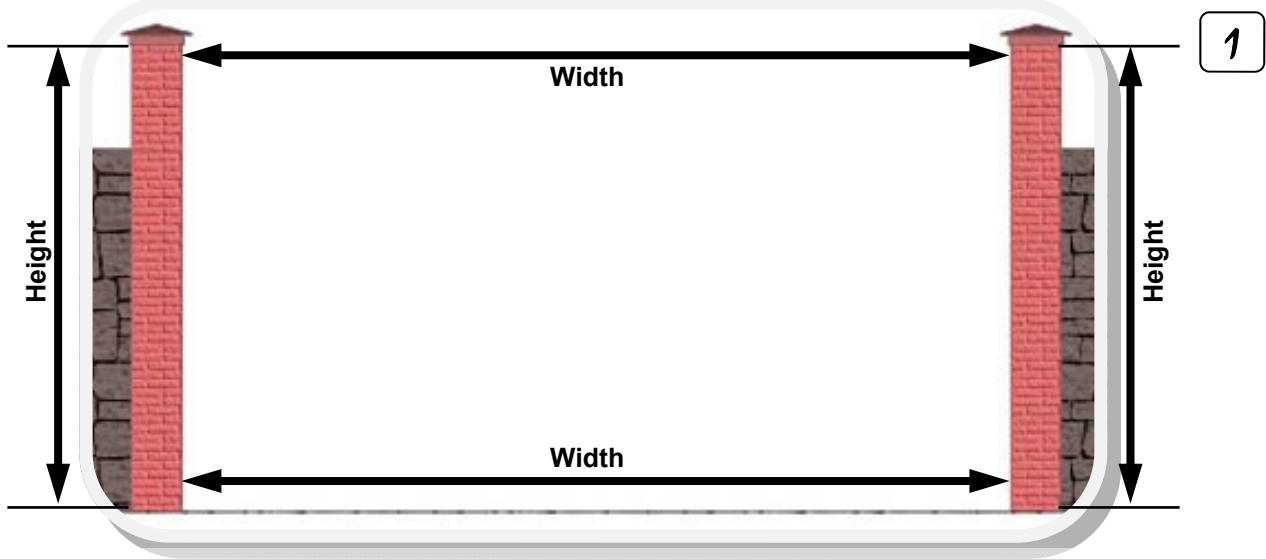


\* Overall width and height correspond to the control dimensions.

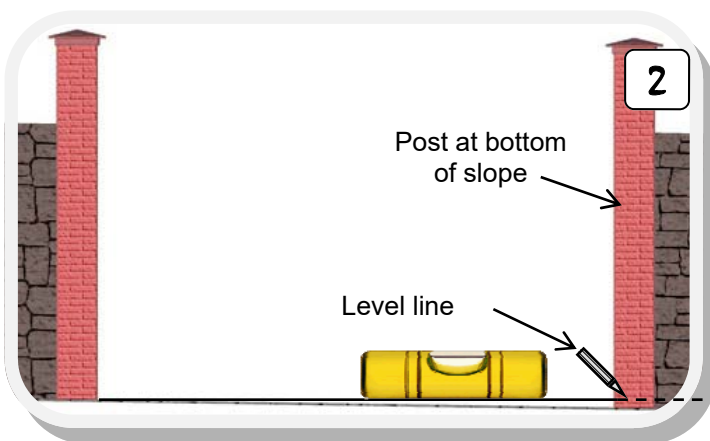
**!** It is essential to check the plumb line of the posts on all sides. The 2 posts must be at the same level and correctly aligned.

Once the installation is complete, cut the attachment clips according to the height of the posts, then click them onto the posts.

# Checking existing posts



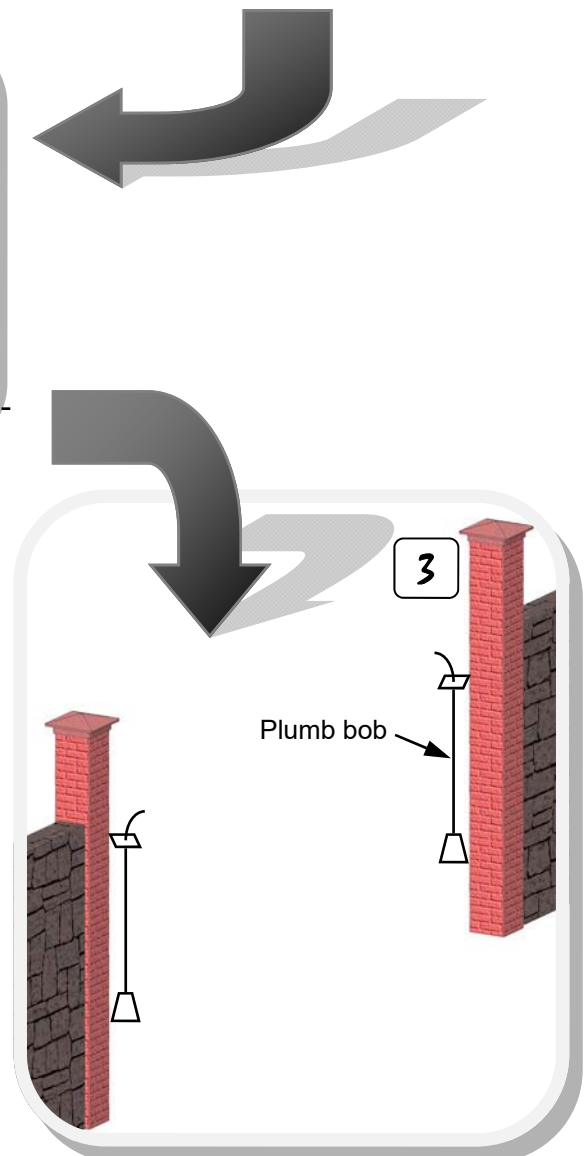
**Check the worksite dimensions:** - Width between posts under cap  
- Height of posts under cap



**Check the 0 level:**

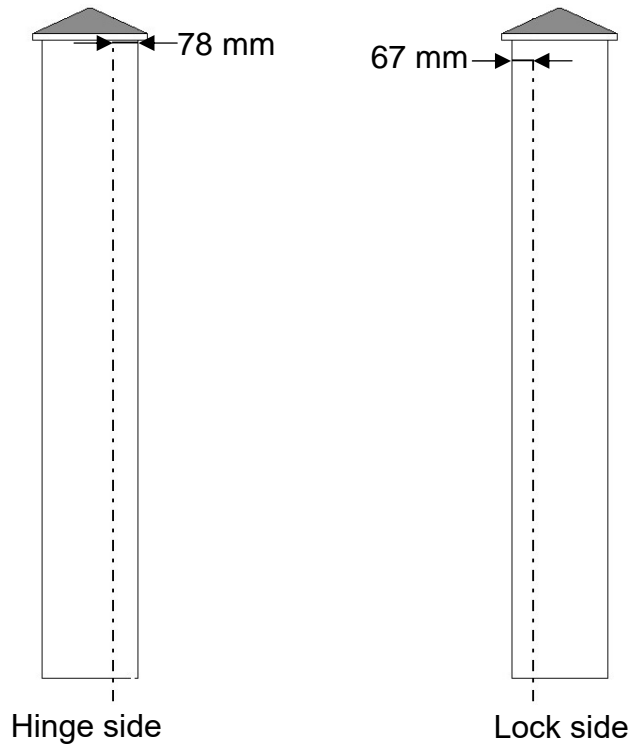
- False-level floor: draw a line marking the correct level on the post at the bottom of the slope.

**Check that the posts are plumb and correctly aligned:**

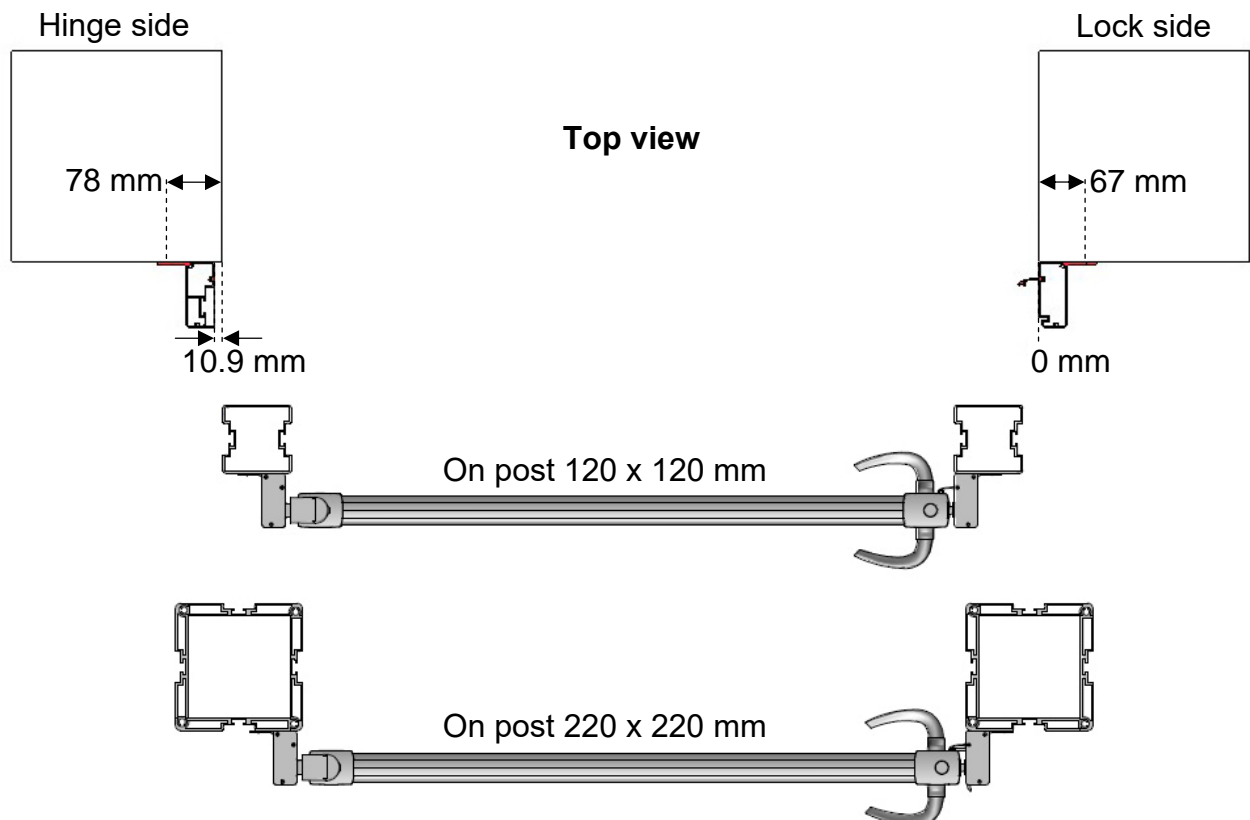


# Installing the connecting strips

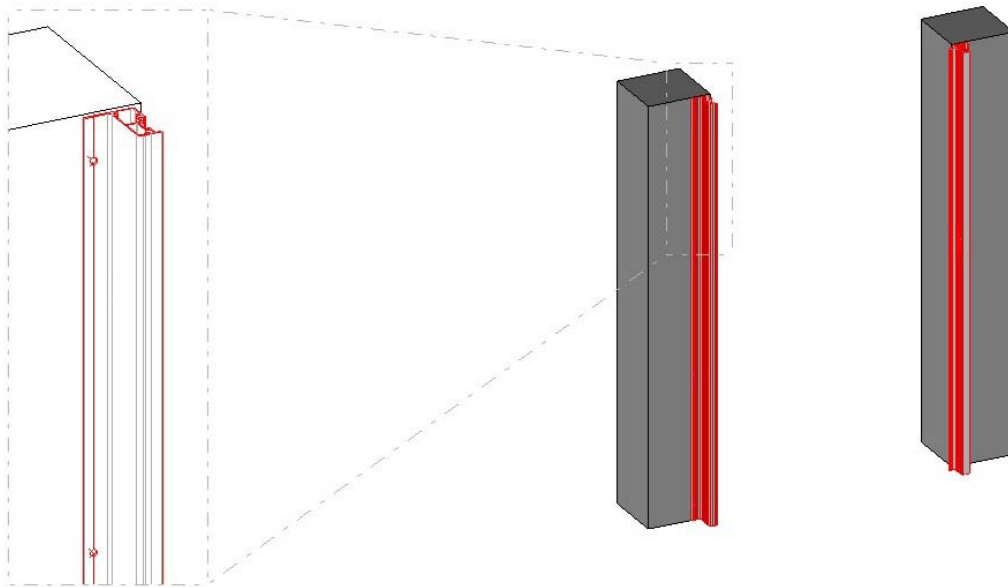
## Mark out the axes



## Align the profiles



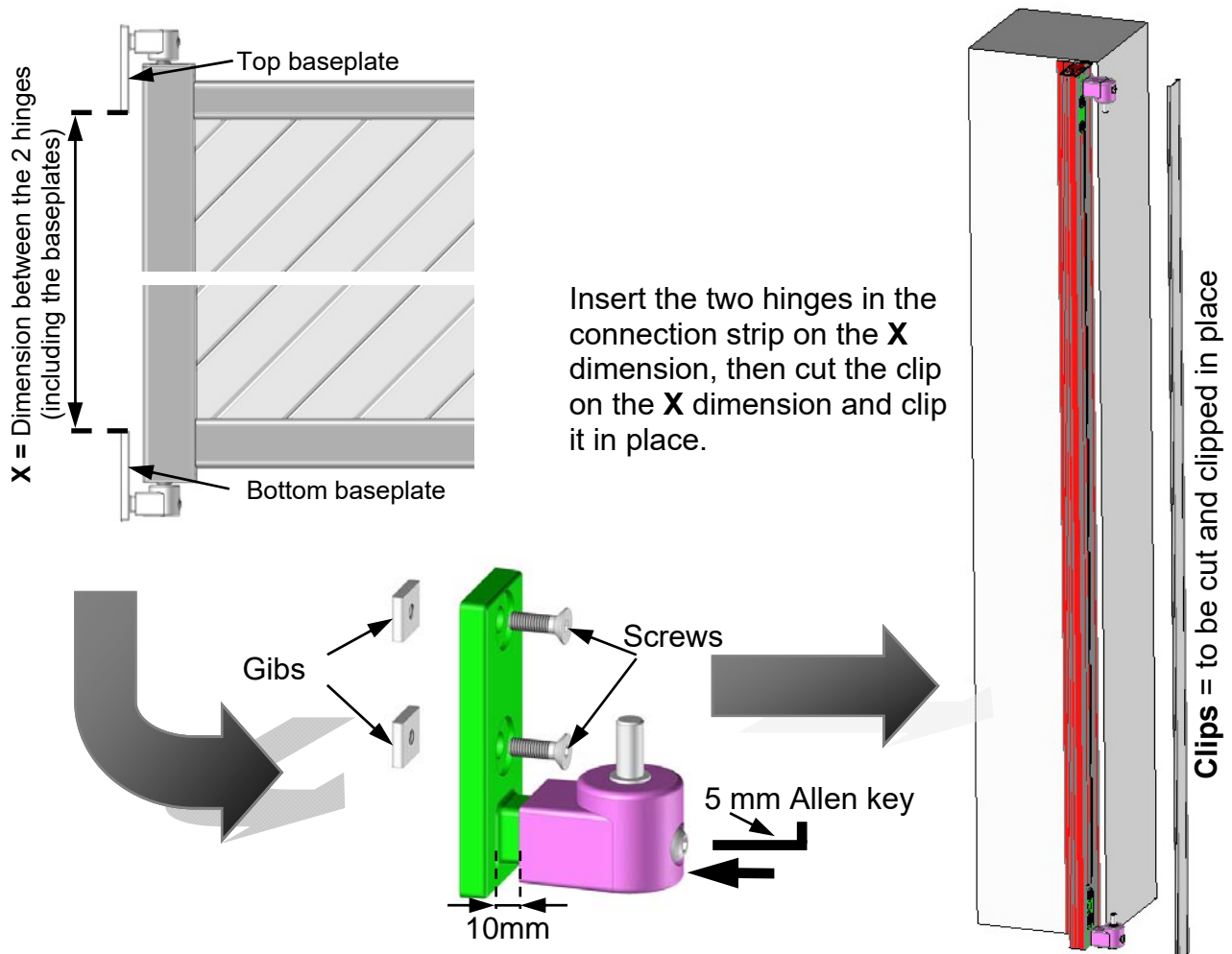
## Attaching the connection strips



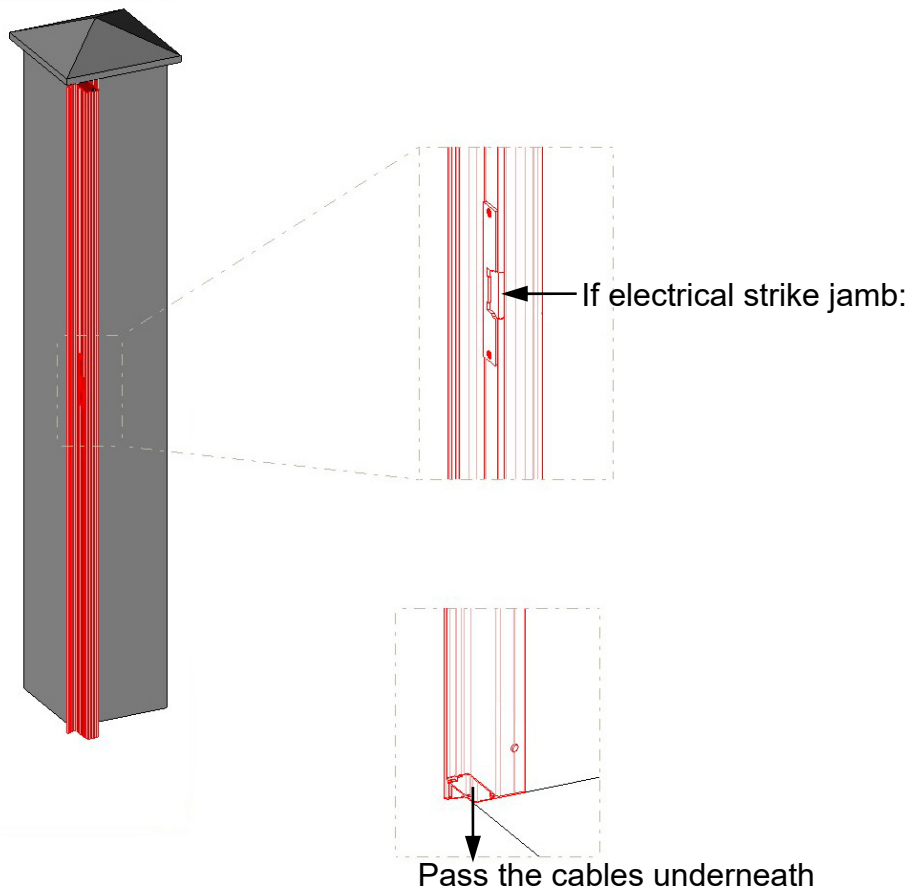
Drill holes in the 2 connection strips and attach them to the posts.

## Installing the wicket door

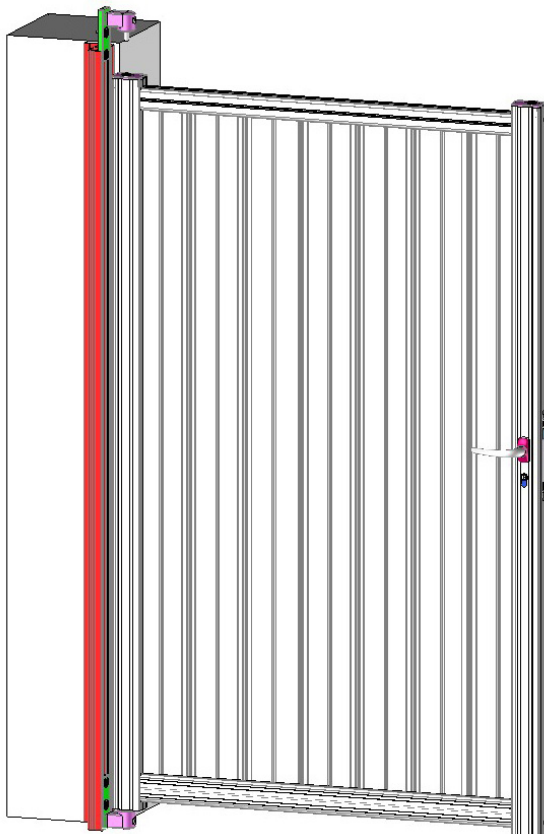
### Attaching the clips



## Passage for the cable



## Installing the wicket door



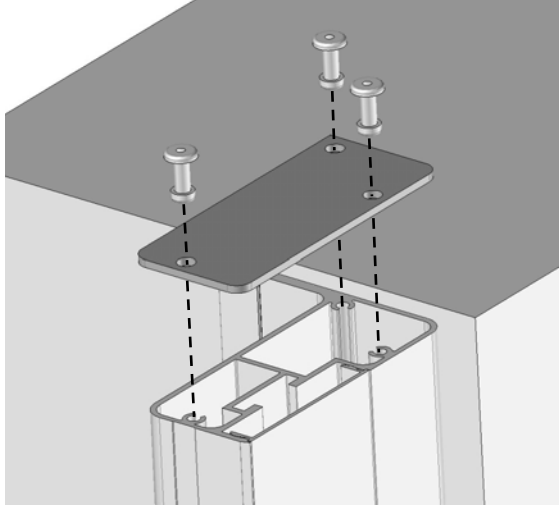
- Remove the top hinge and permanently attach the bottom hinge to the floor.
- Wicket door open, position it on the bottom hinge then slide the top hinge into the connection strip on the wicket door and permanently attach it.



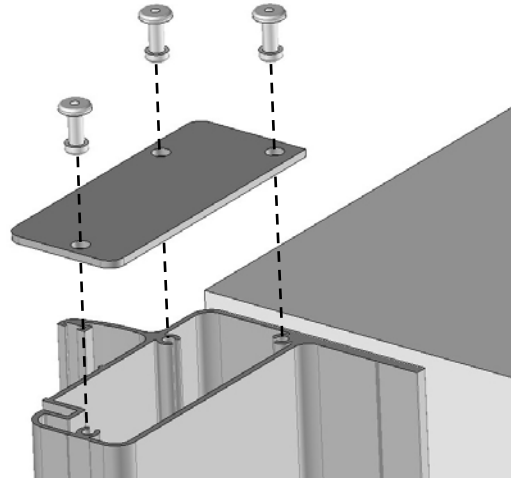
# Finishes

## Installing the plugs

Hinge side

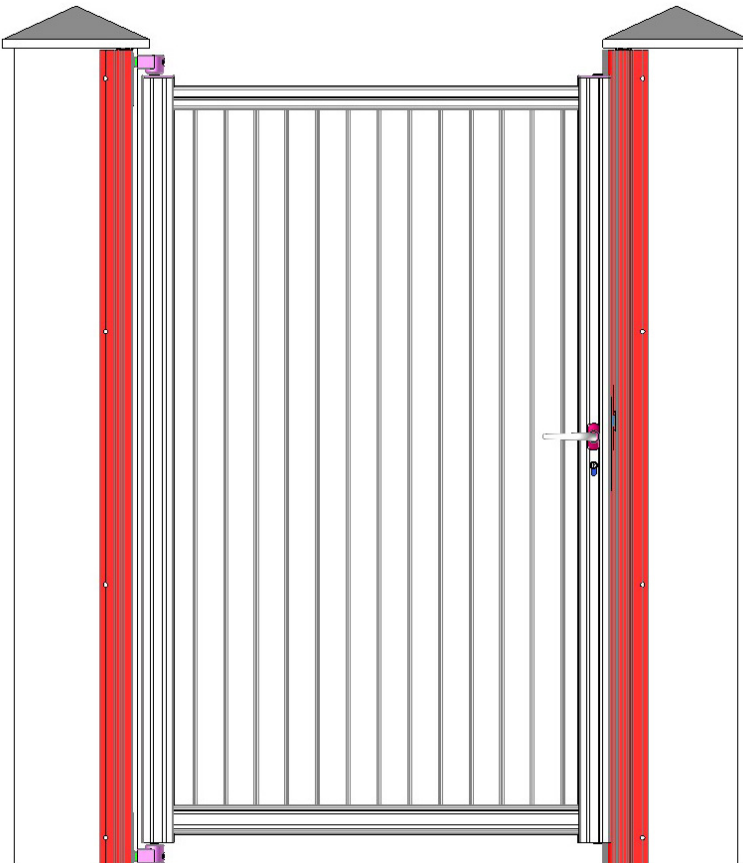


Lock side

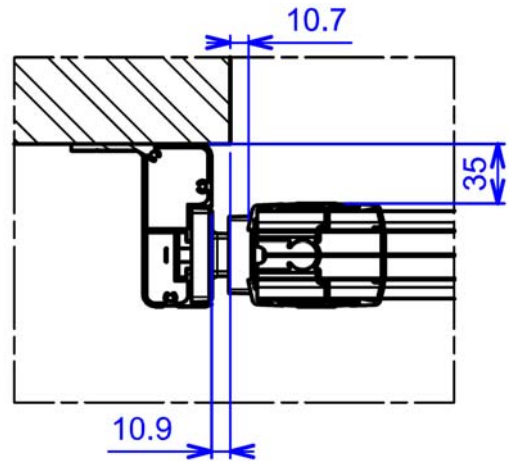


Install the plugs using the 6 rivets  $\text{Ø}4 \times 9 \text{ mm}$

## Adjust the hinges



Dimensions for hinge side



Dimensions for lock side

