

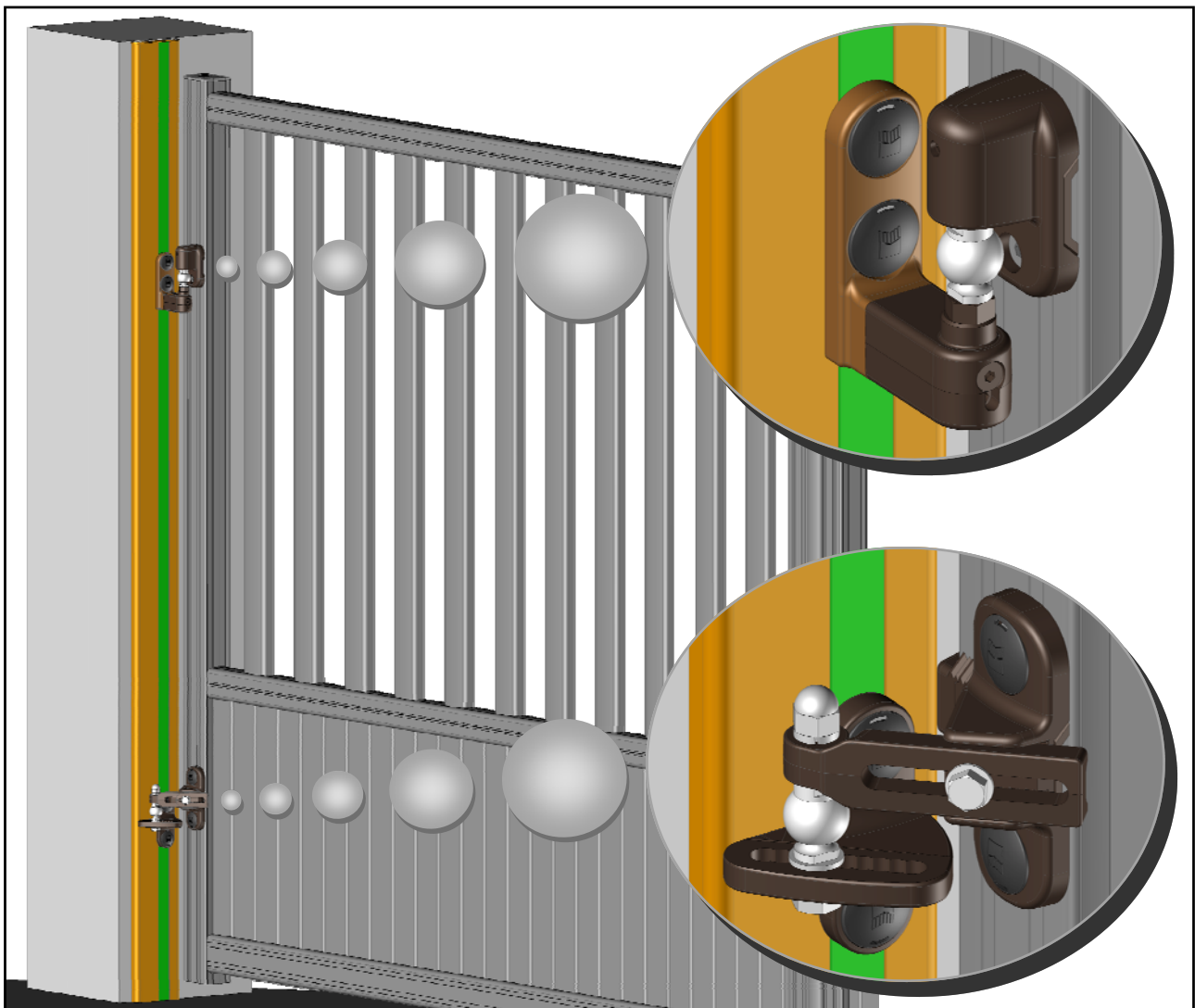
Installation manual

No. 7381

09/15

Aluminum gate 2-Leaf

Sloped lifting



(Document reserved for installers)

Equipment required for installation

- Pins **with chemical seal** Ø8 mm (**recommended**) + threaded rod with nut Ø8 mm
or concrete pins Ø8 mm + threaded rod with nut Ø8 mm
or striking pins Ø8 mm + threaded rod with nut Ø8 mm
- Hammer drill
- Concrete drill bit set
- Electric screwdriver with end-pieces
- Allen keys + Flat wrenches
- Screwdriver
- Hammer/chisel
- Spirit level
- Plumb bob
- Hacksaw
- Angle grinder
- Tape measure
- 10 mm shims

Installation instructions



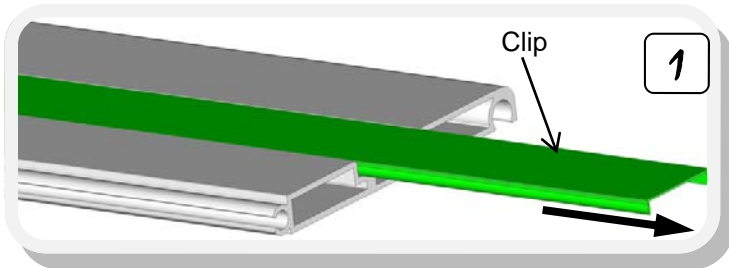
CAUTION!



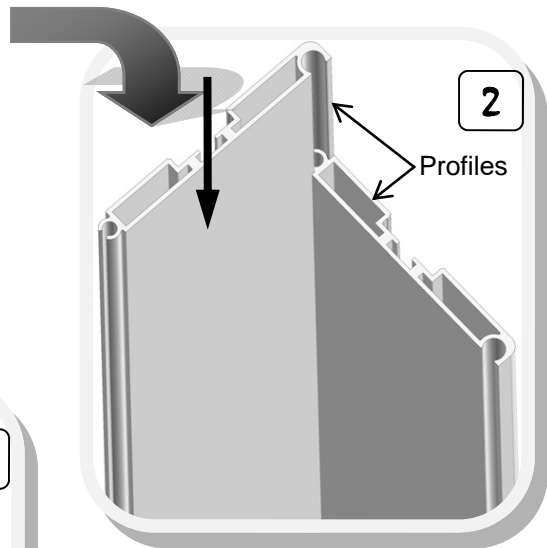
To ensure that this product is assembled, used and maintained in complete safety, it is important to follow the instructions provided in this document.

- * Before beginning the assembly, read this manual carefully.
- * This closure must be installed by a professional technician
- * All the parts delivered are specifically sized for this product. Adding and/or using other parts may be detrimental to safety and may affect the product's warranty.
- * Any modification or improvement of this closure must be compliant with the standard EN 13241-1. In this case, a "modification/transformation" file must be created by the installer as per the standard EN 12635 annex C.
- * Use the appropriate tools to install these products.
- * Ensure that the assembly area is clear, clean and clearly marked out.
- * Ensure that no other people are present at the assembly site apart from the installers. Non-authorized persons (children for example!) who are present at the site risk injury during assembly.
- * All the components of this closure must be installed in compliance with the installation instructions provided in this manual.
- * All the requirements of the standards EN 13241-1 must be met and verified if necessary.

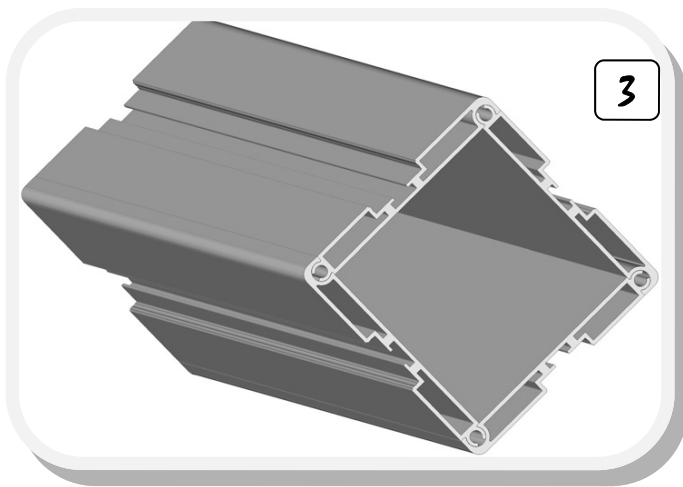
Assembling the aluminum posts



Remove the clips before assembling the profiles.

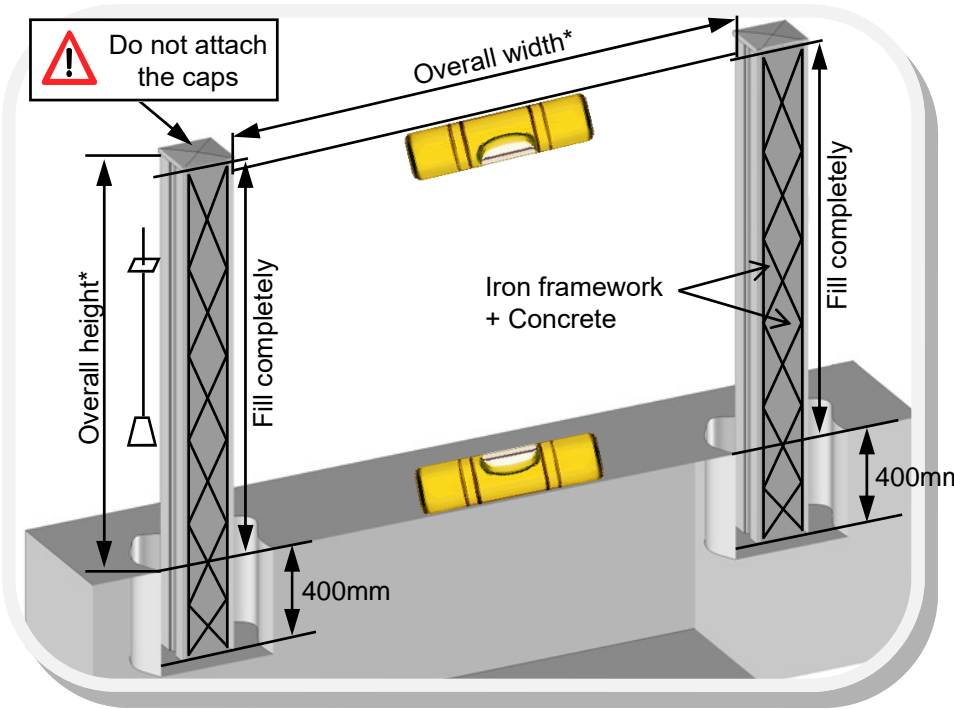


Assemble the profiles



Assembled posts

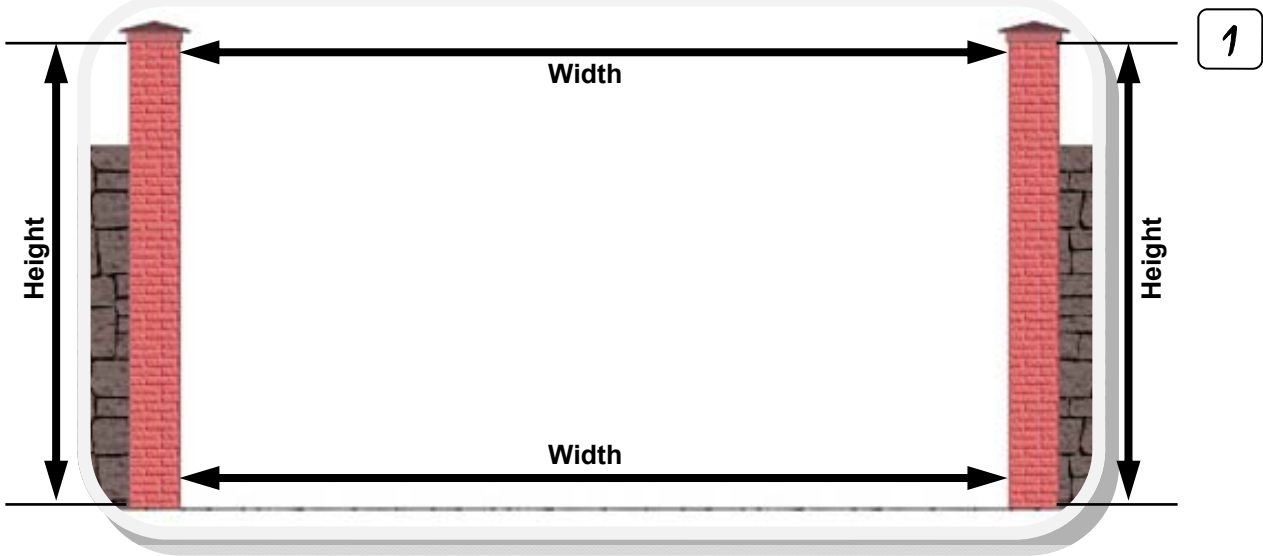
Installing the aluminum posts



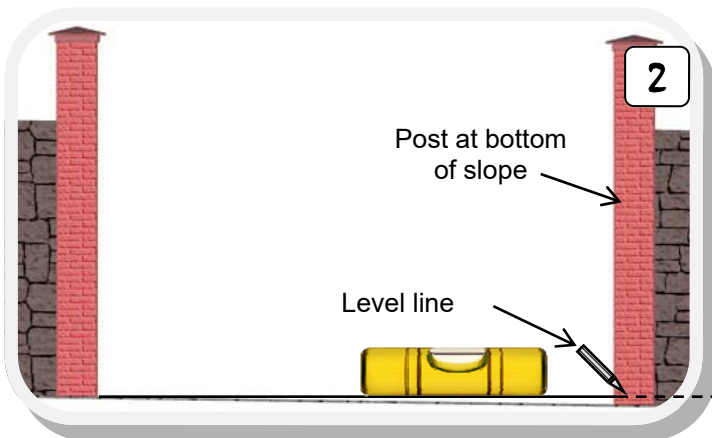
* Overall width and height correspond to the order dimensions

! It is essential to check the plumb line of the posts on all sides. The 2 posts must be at the same level and correctly aligned.

Check of existing posts



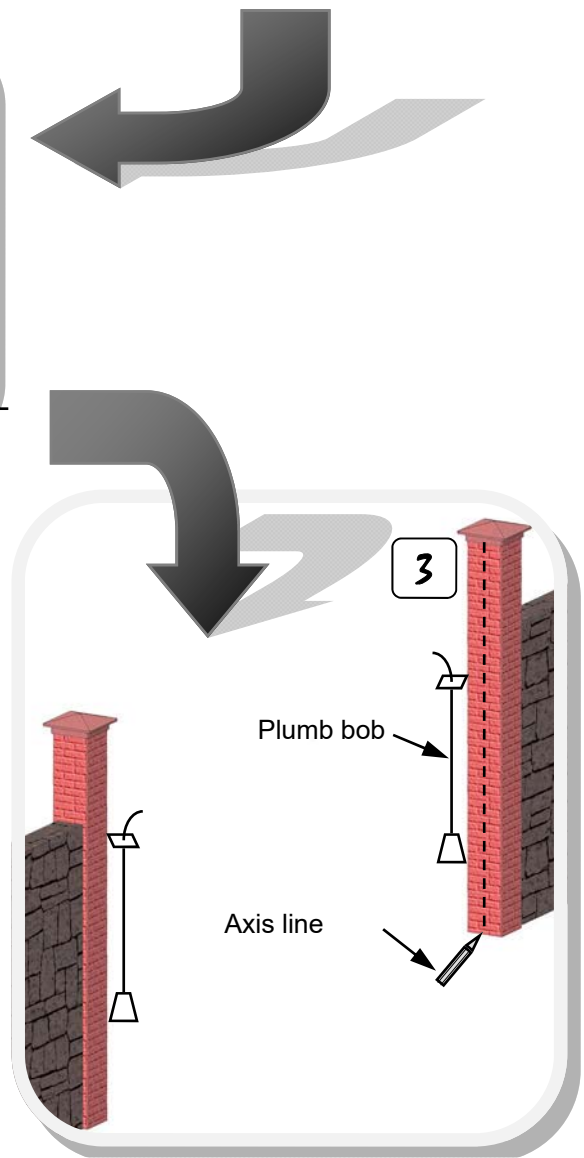
Check the worksite dimensions: - Width between posts under cap
- Height of posts under cap



Check the 0 level:
- False-level floor: draw a line marking the correct level on the post at the bottom of the slope.

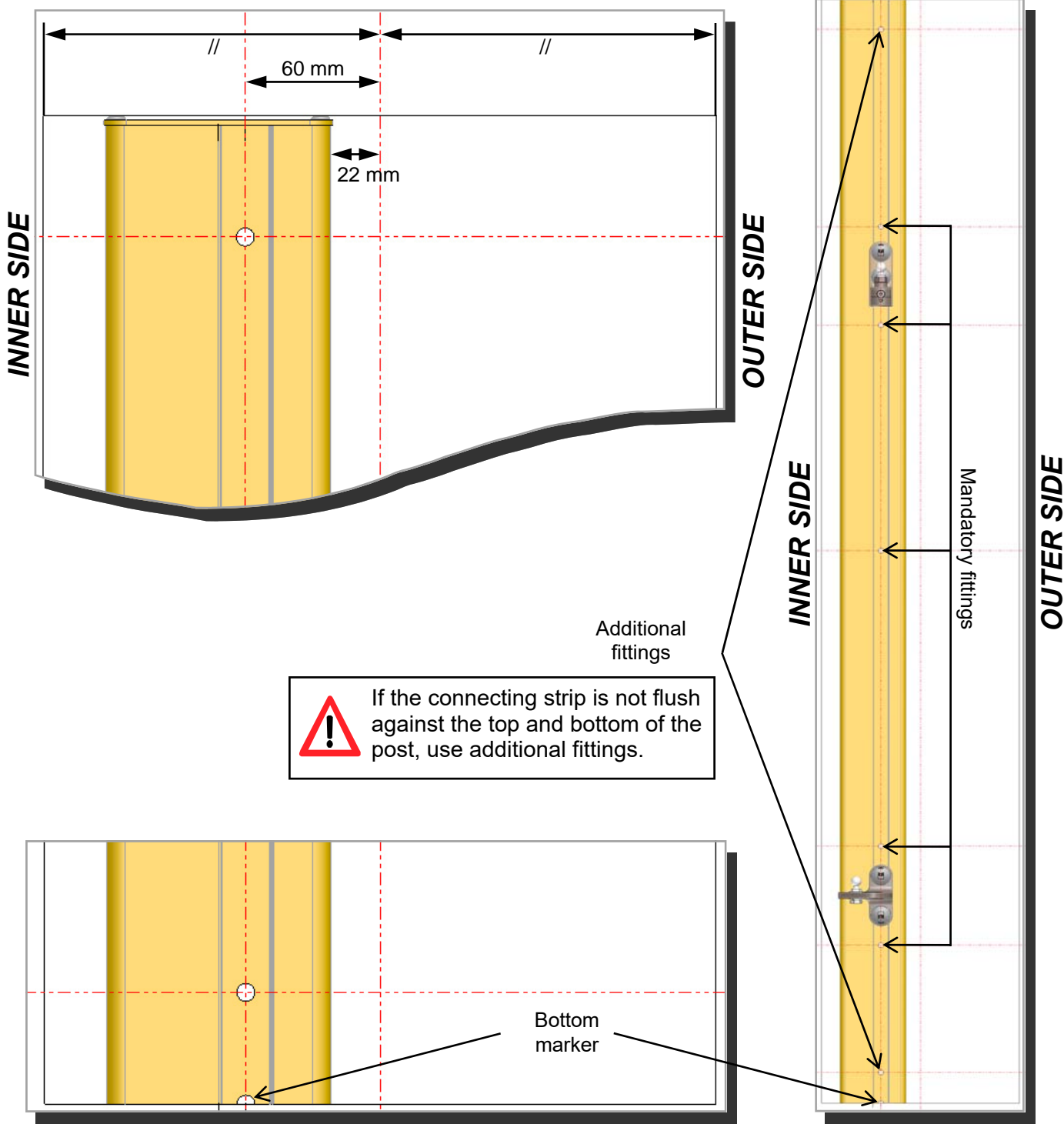
Check that the posts are plumb and correctly aligned:

- Posts aligned and plumb: draw a line to mark the post axis in an upwards direction.
- Posts not aligned: using a plumb bob, draw a line to mark the post axes so that they will be perfectly aligned.



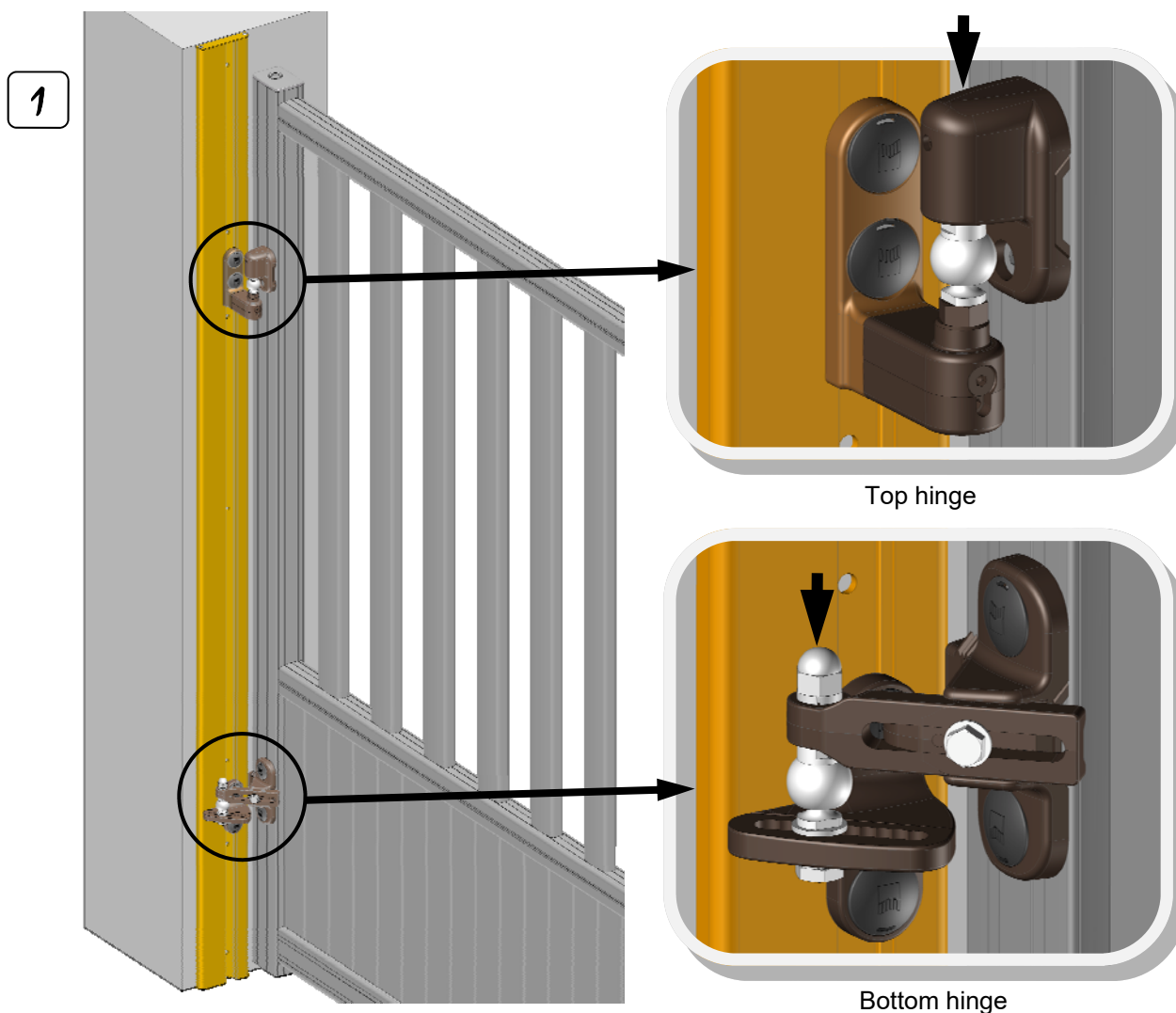
Installing the connecting strip

- Mark a line for the center distance of the connecting strip at 60 mm from the middle of the post, opening side.
- Position the connecting strip on the post so that it is facing the correct way (indicated on bottom marker), height under the cap, then drill the guide holes.
- Remove the connecting strip, drill, then attach the pins with the threaded rods $\varnothing 8$ mm (refer to Equipment required for installation).
- Attach the connecting strip with the nuts $\varnothing 8$ mm.

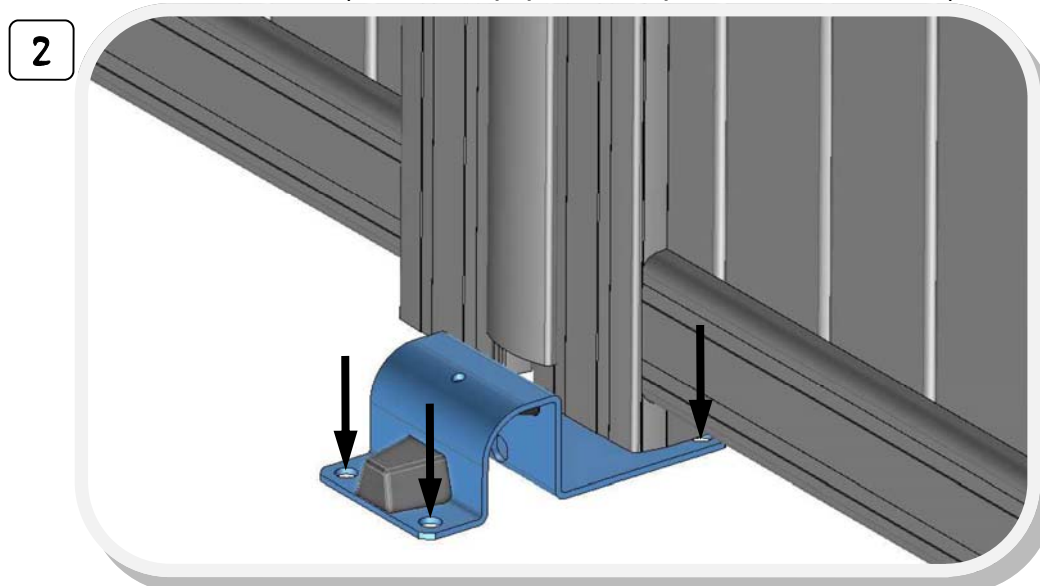


Fitting the leaves

Position the leaf opposite the connecting strip and insert the hinges.



Close the leaves, position the clamp and attach it to the floor using the pins with threaded rods + nuts Ø8 mm (refer to Equipment required for installation).

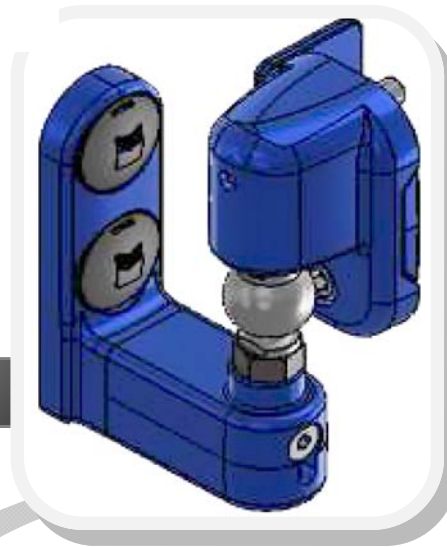
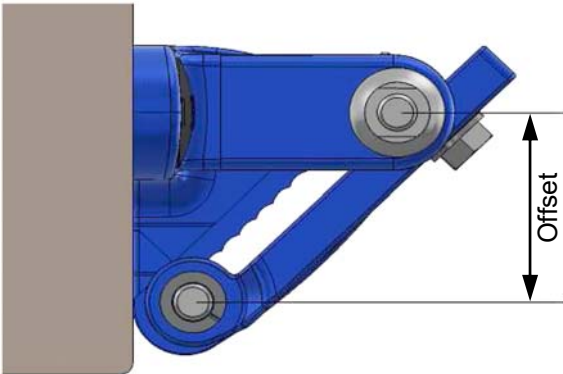


- Open the 2 leaves and check the adjustments in relation to the slope.

3

- If not correctly adjusted in relation to the slope, refer to the table below.

Adjustment table, slope regulator for a center distance between hinges of 1,000 mm										
Gradient (in %)	1	2	3	4	5	6	7	8	9	10
Offset (in mm)	5	10	15	20	25	30	35	40	45	50



Top hinge



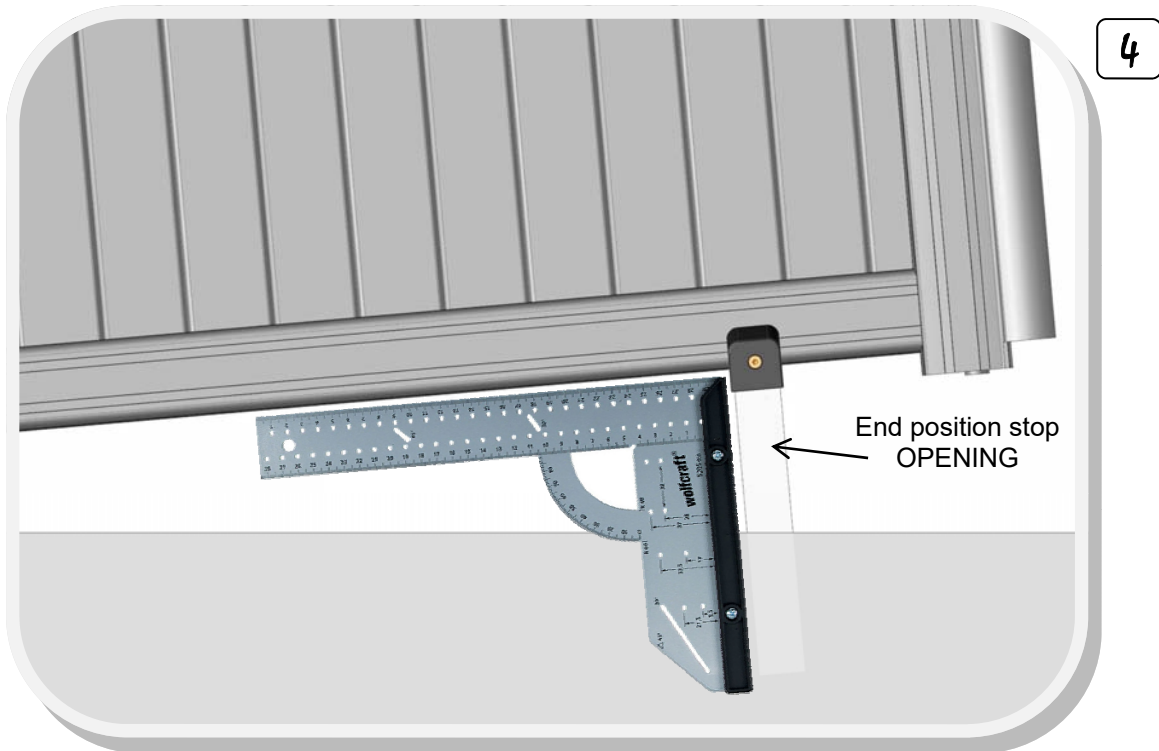
Bottom hinge
From 1 to 7%, use a small hinged joint

or



Bottom hinge
From 7 to 10%, use a large hinged joint

Open each leaf, position the opening end position stops and seal them so that they are perpendicular to the bottom transom.



To make it easier to install the end position stop, lock it in place with the bottom transom using a clamp before sealing the assembly.

Once the installation is complete, cut the attachment clips according to the position of the hinges, then click them onto the connecting strips.

5

