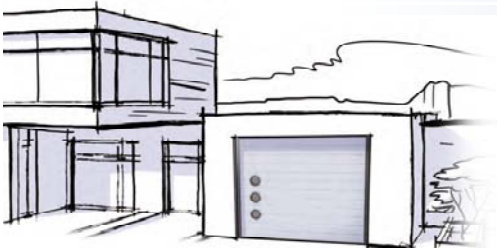
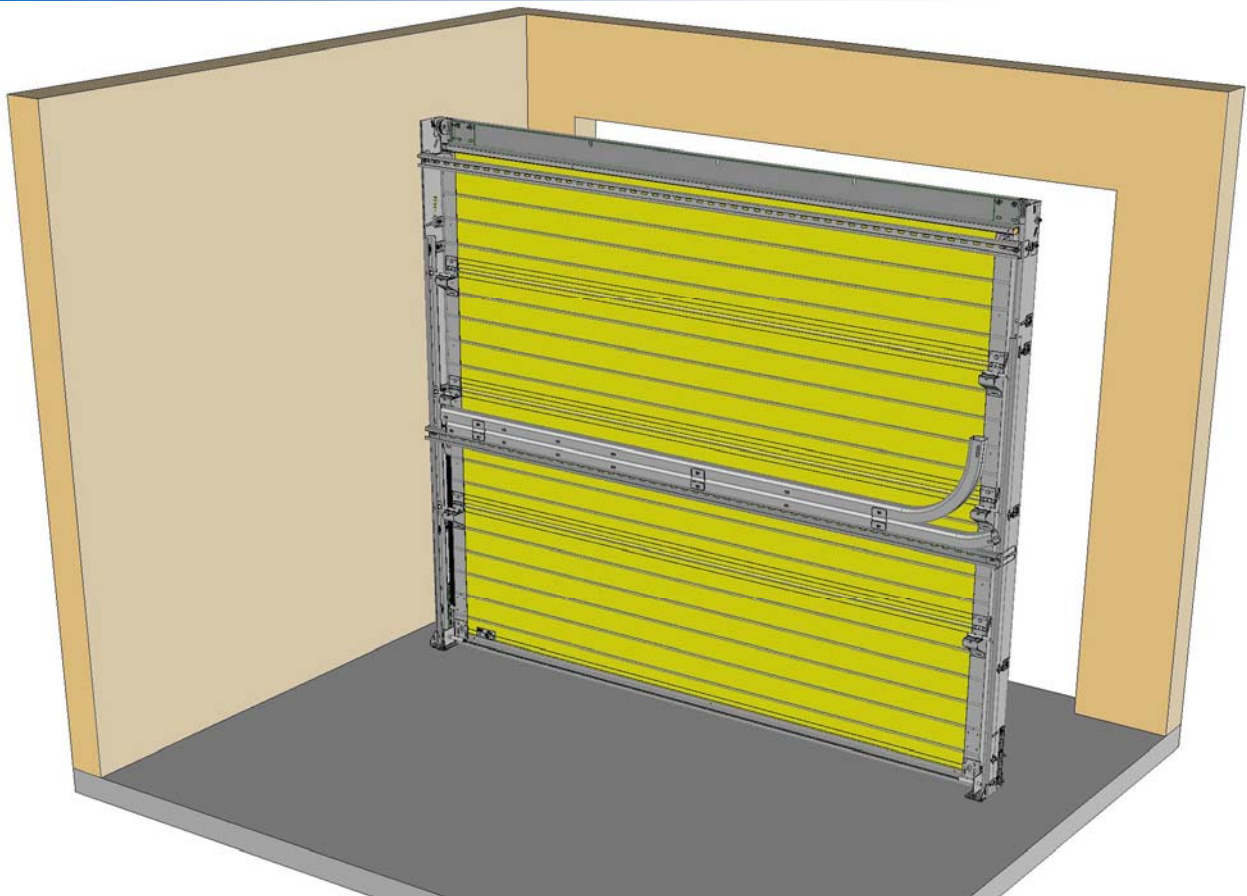


# Manual: No. 7076 **INSTALLATION**

## *Residential garage doors*



*Pre-assembled  
with extension springs*



**(Document reserved for installers)**

# Contents

Required equipment .....	p.2
Installation instructions .....	p.3
Position and attach the door block .....	p.4
Remove the rods.....	p.6
Install the horizontal rails .....	p.7
Install the top roller guides .....	p.8
Install the spacer rod .....	p.8
Check the diagonals .....	p.9
Install the hangers .....	p.10
If there is a rod extension .....	p.10
Finish attaching the vertical rails.....	p.11
Install the cable on the low suspension unit.....	p.11
Spring tension.....	p.12
Check the balance.....	p.13
Additional settings .....	p.13
Install the latch .....	p.14
Install the handle.....	p.14
Adjust the roller guides .....	p.15
Attach the operator rail.....	p.15
Install the pull cord (if manual door) .....	p.16
End position clip (if manual door).....	p.16
Grease the bottoms of the rails and the springs .....	p.17
Option: Motorization .....	p.17

## Required equipment

- |  |  |
|--|--|
| <ul style="list-style-type: none"> <li>- Ladders + 2 trestles</li> <li>- Tape measure (5M or 8M)</li> <li>- Spirit level or laser level</li> <li>- Plumb bob</li> <li>- Clamps and 2 x grip pliers</li> <li>- Electric screwdriver with torque limiter</li> <li>- Torx end-piece of 30 mm</li> <li>- Cord</li> <li>- Hammer</li> <li>- Hacksaw</li> <li>- Screwdriver</li> <li>- Wooden shims: 5 mm</li> </ul> | <ul style="list-style-type: none"> <li>- Universal pliers, cable-cutter, to be riveted</li> <li>- Hammer drill and concrete drill bits</li> <li>- Steel drill bits: Ø4.2 mm, Ø5 mm, Ø8 mm, Ø9 mm, Ø10 mm and Ø13 mm, max. length 30 mm</li> <li>- Pins with screws</li> <li>- Flat or socket wrenches: 10 and 13 mm</li> <li>- Angle grinder</li> <li>- Lubricant spray</li> <li>- Grease and brush</li> <li>- Can of oil</li> <li>- Silicone sealant</li> </ul> |
|--|--|

# Installation instructions



## **CAUTION!**

To ensure that this product is assembled, used and maintained in complete safety, it is important to follow the instructions provided in this document. For everyone's safety, please observe the precautionary measures below.



- \* Before beginning the assembly, read this manual carefully.
- \* This closure must be installed by a professional technician.
- \* All the parts delivered are specifically sized for this product. Adding and/or using other parts may be detrimental to safety and may affect the product's warranty.
- \* Any modification or improvement of this closure must be compliant with the standard EN 13241-1 + A1. In this case, a "modification/transformation" file must be created by the installer as per the standard EN 12635 annex C.
- \* Considerable force is exerted by the extension springs. This work must therefore be carried out in accordance with the safety instructions. Use the appropriate tools to install these products. Ensure that the work is carried out on a stable floor.
- \* Ensure that the assembly area is adequately lit, clear, clean and clearly marked out.
- \* Ensure that no other people are present at the assembly site apart from the installers. Non-authorized persons (children for example!) who are present at the site risk injury during assembly.
- \* All the components of this closure must be installed in compliance with the installation instructions provided in this manual.
- \* All the requirements of the standards EN 13241-1 + A1 must be met and verified if necessary.

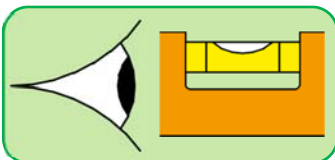
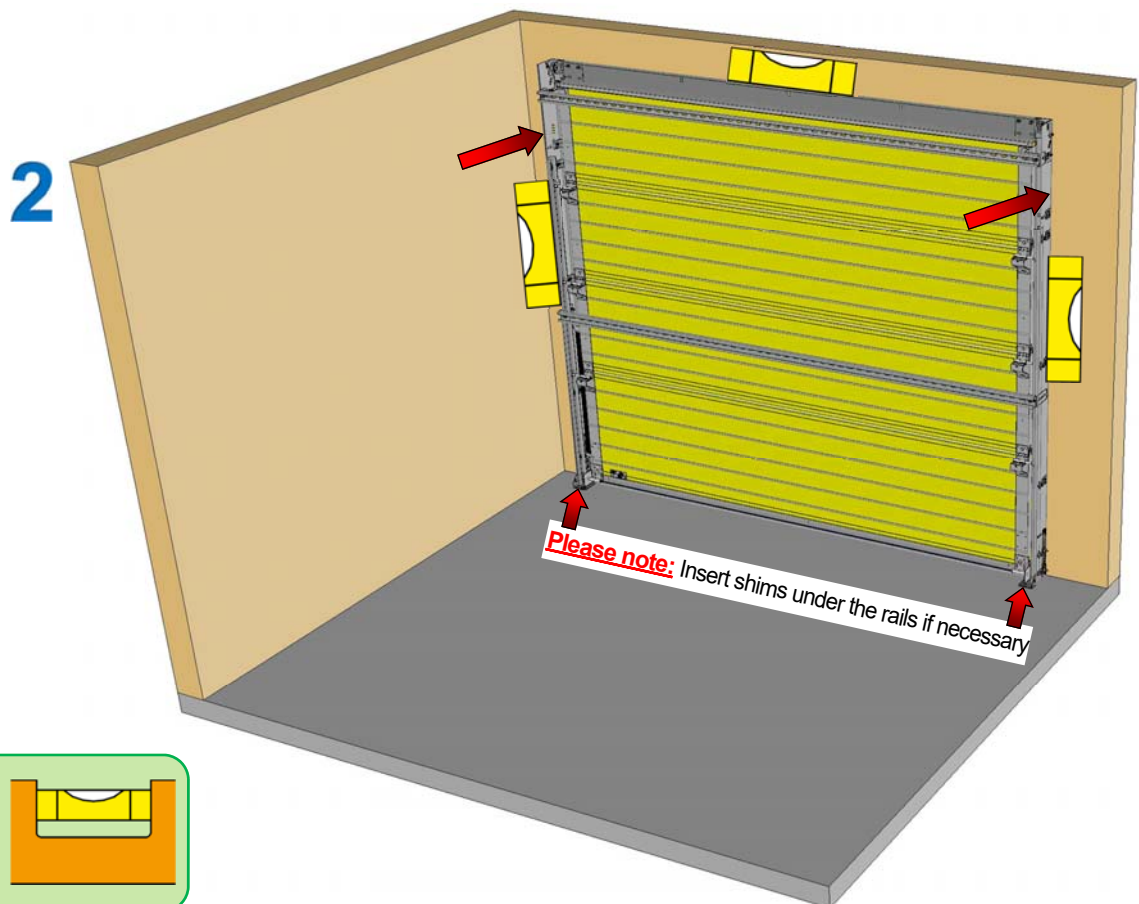
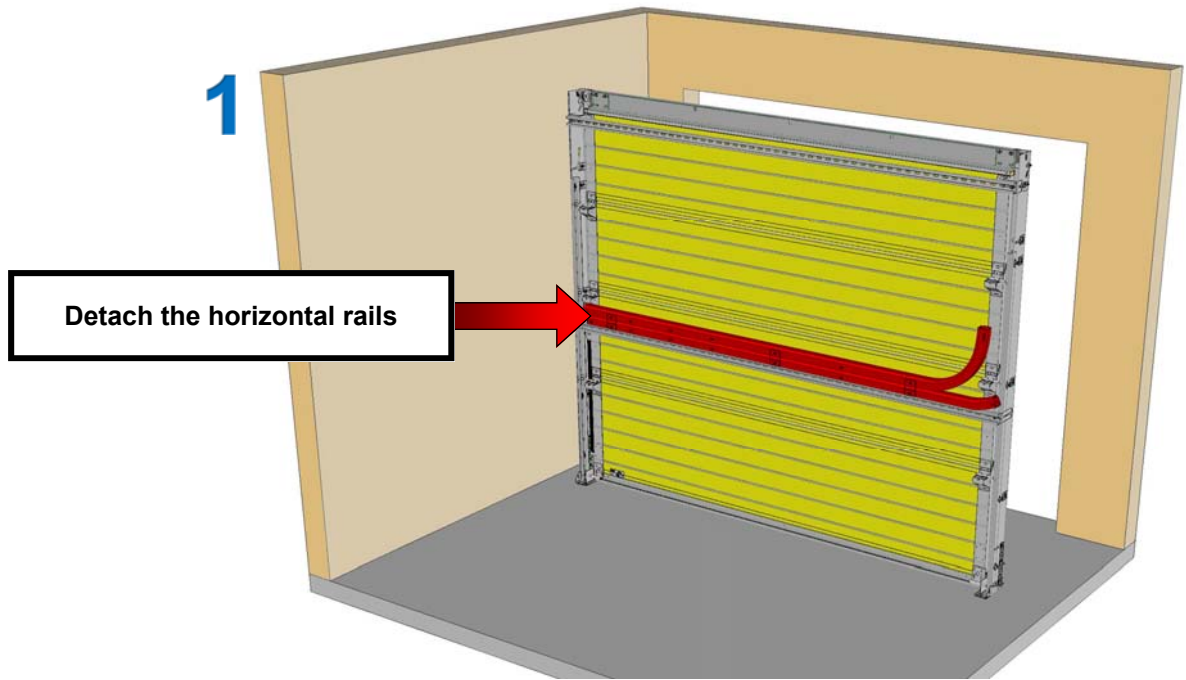
### **Max. locking torque:**

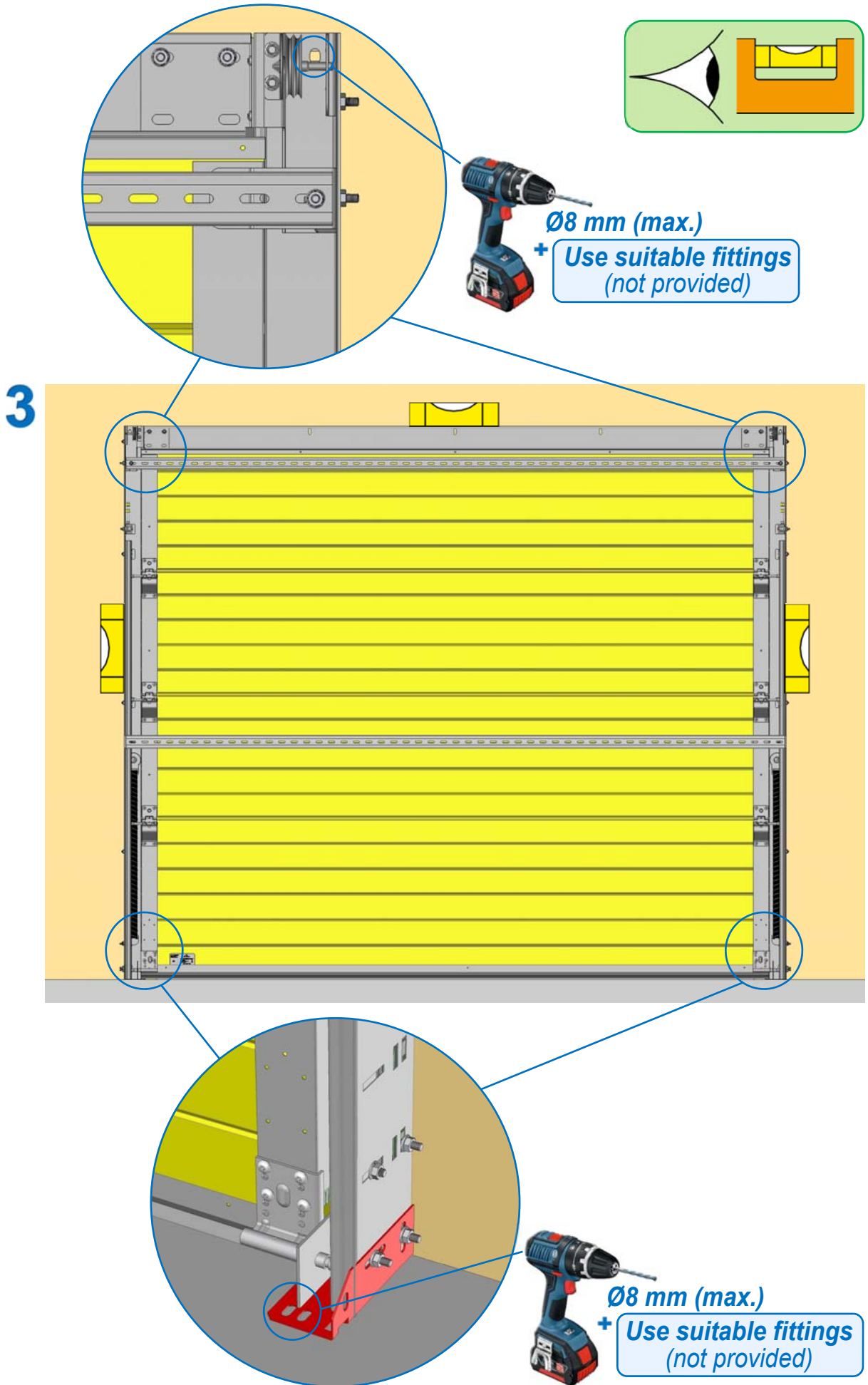
- Assembly screw: **10 Nm**
- Shutter assembly screw: **12 Nm**

### **Min. working load per attachment point:**

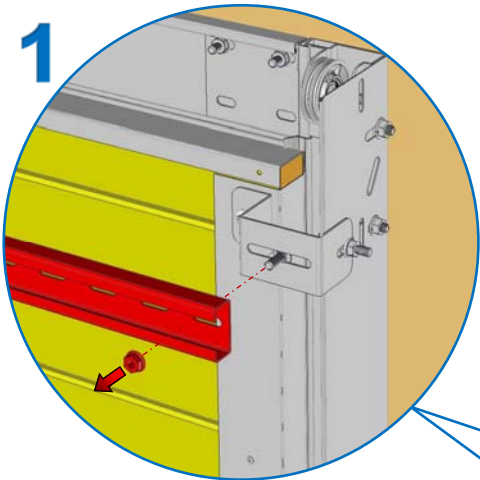
- Rails: **40 daN**

# Position and attach the door block

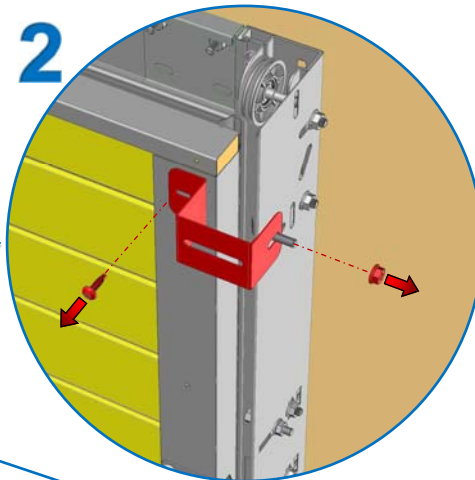




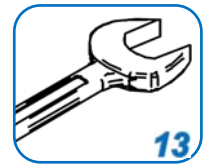
# Remove the rods



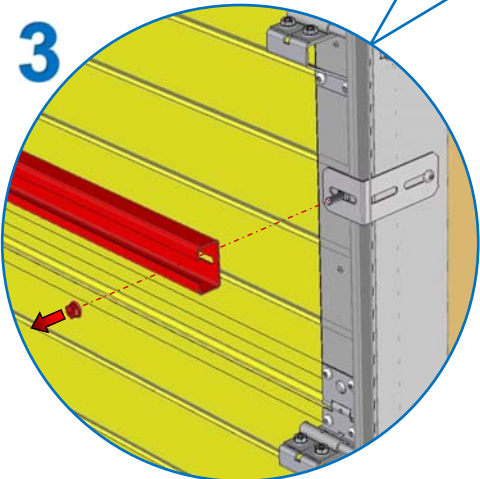
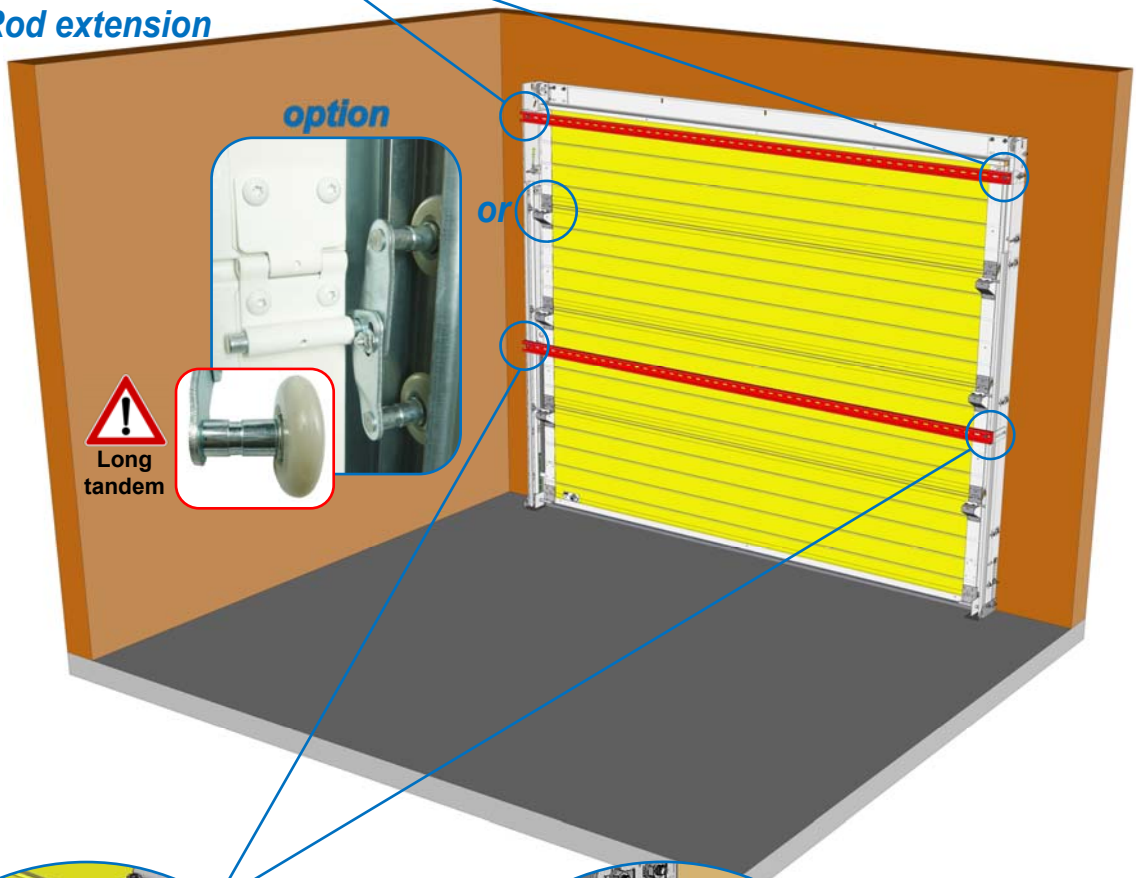
1



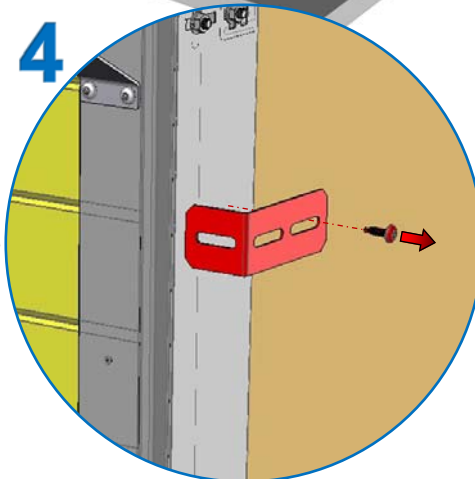
2



Rod extension



3

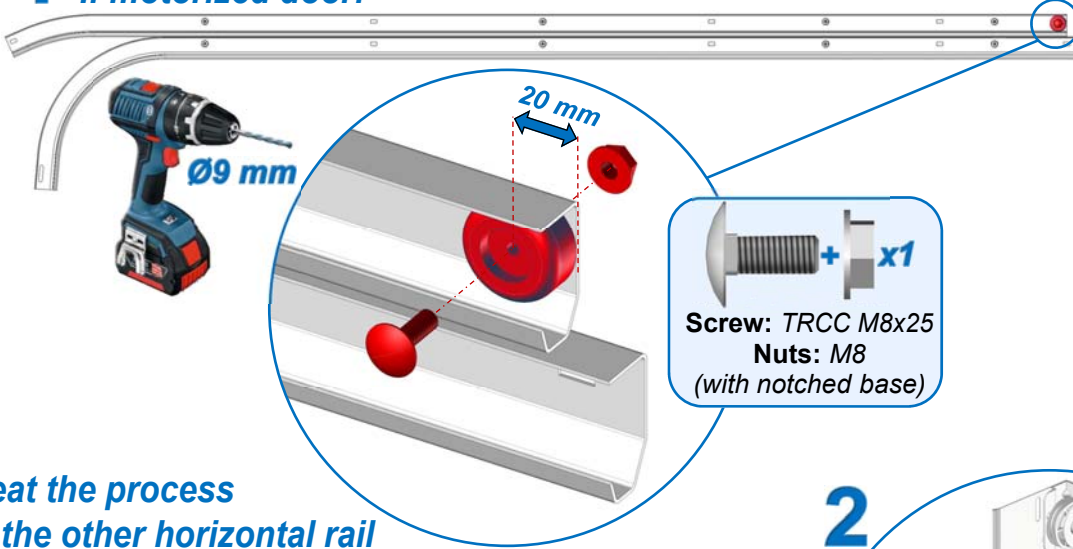
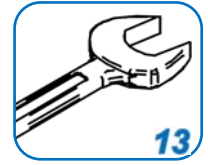


4

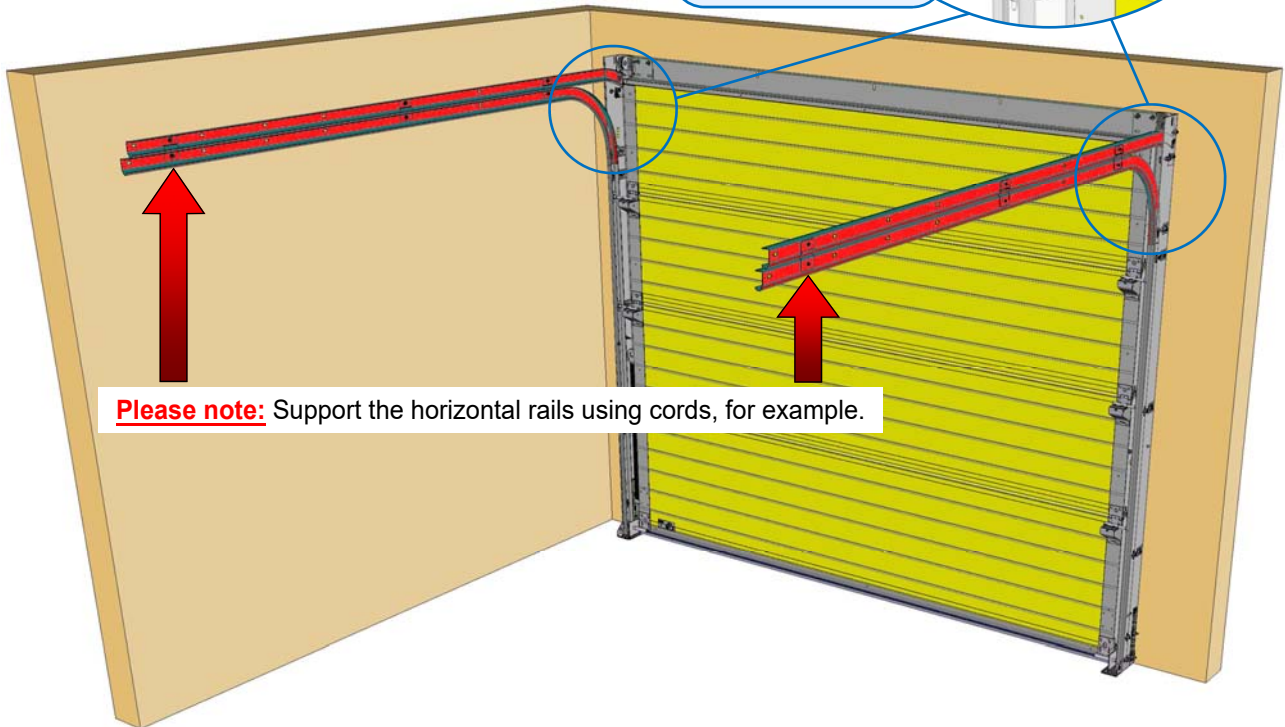
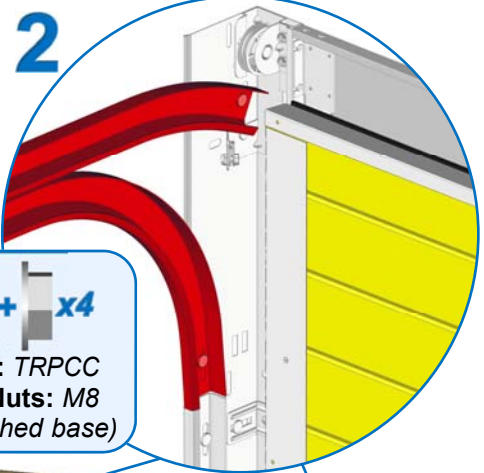
Spacer rod

# Install the horizontal rails

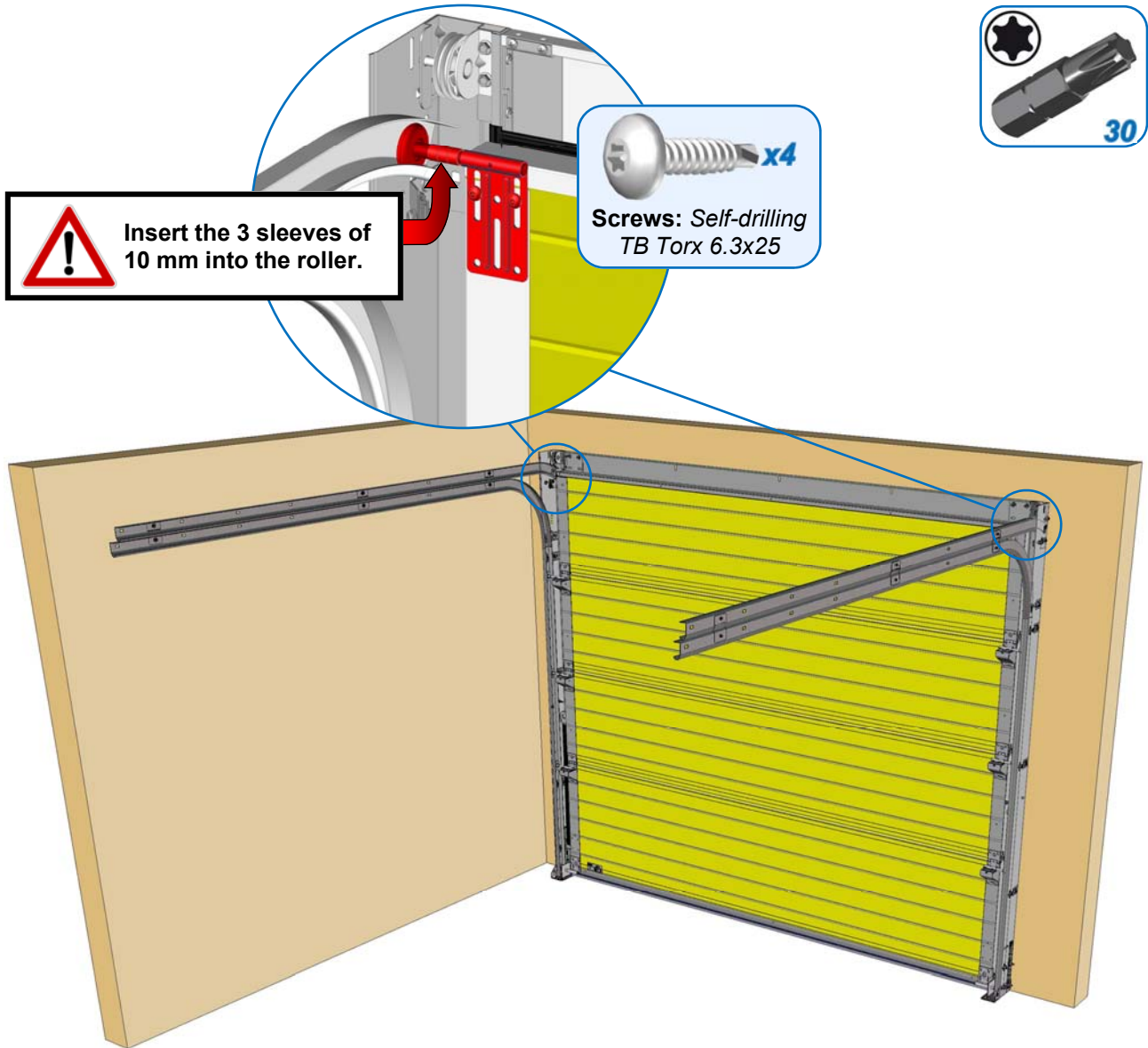
## 1 If motorized door:



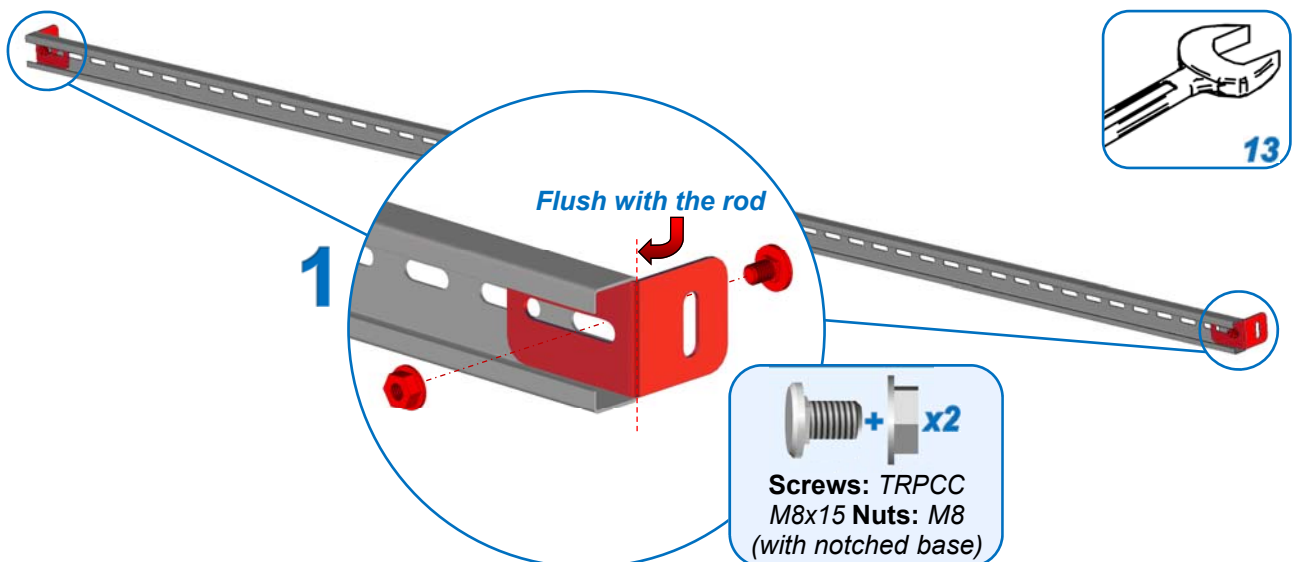
Repeat the process with the other horizontal rail



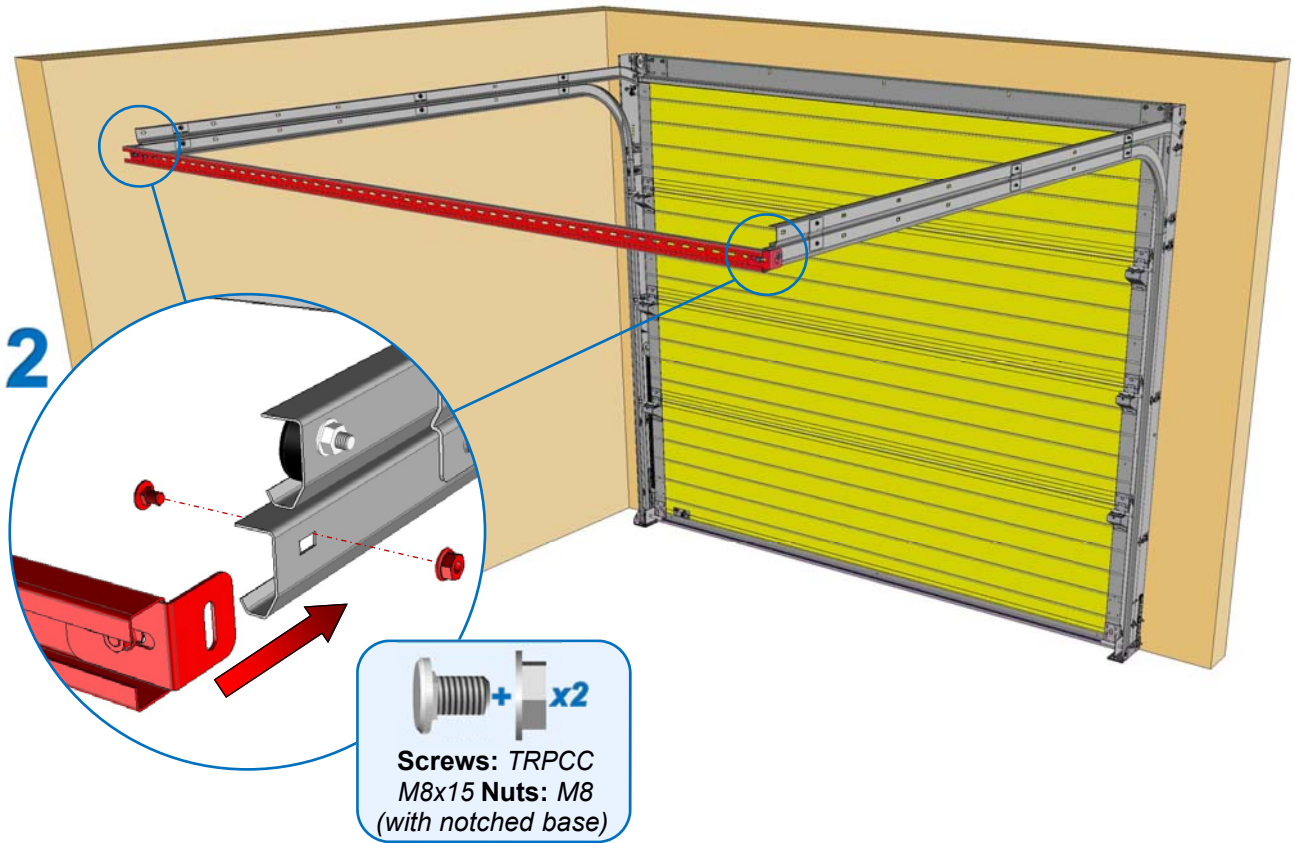
# Install the top roller guides



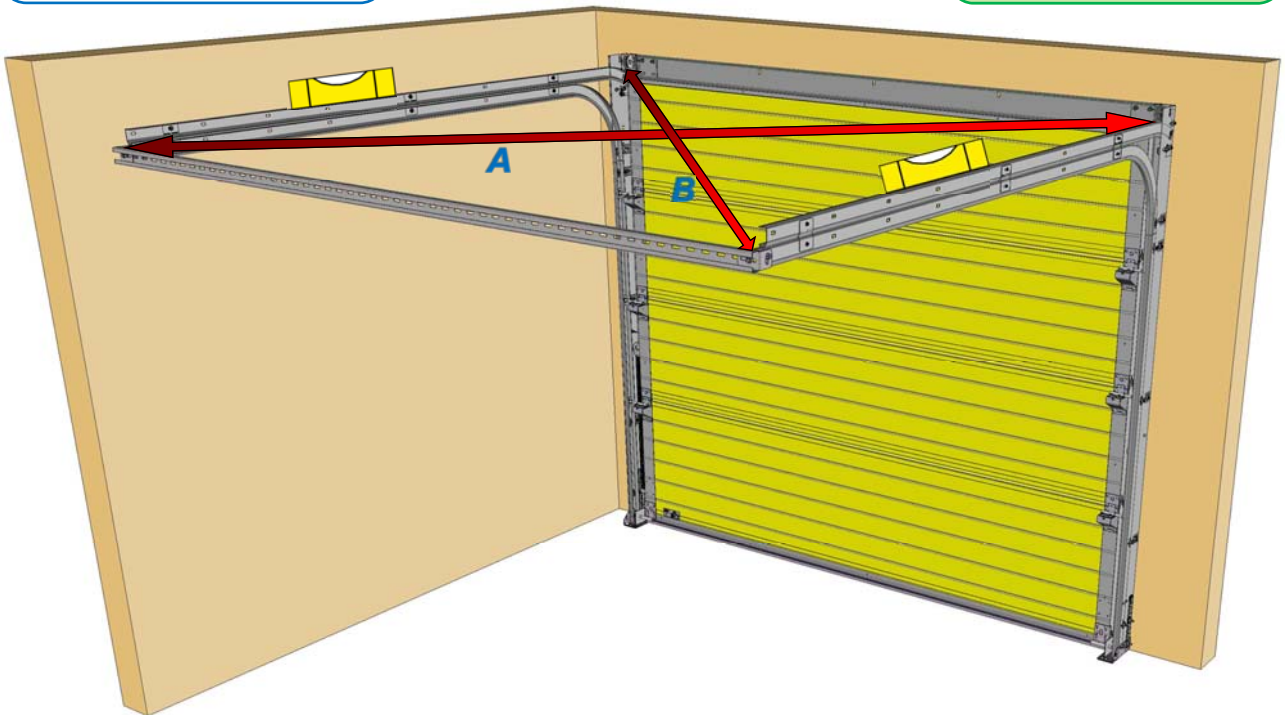
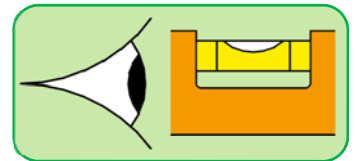
# Install the spacer rod



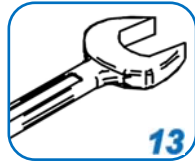
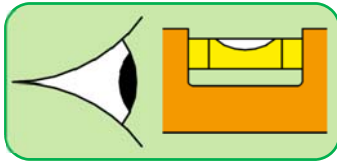




## Check the diagonals

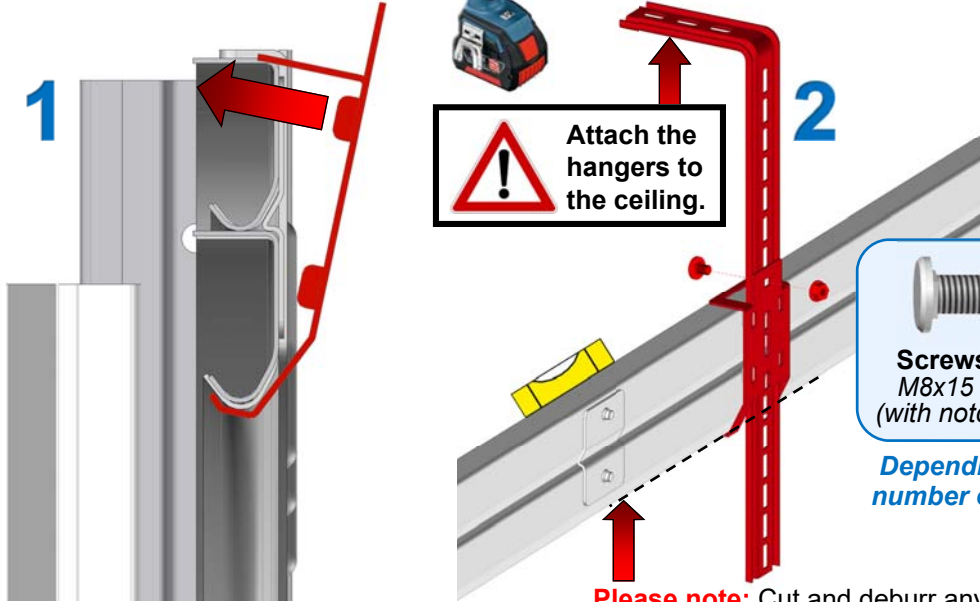


# Install the hangers



Ø8 mm (max.)

+ Use suitable fittings (not provided)



**Attach the hangers to the ceiling.**

Screws: TRPCC M8x15 Nuts: M8 (with notched base)

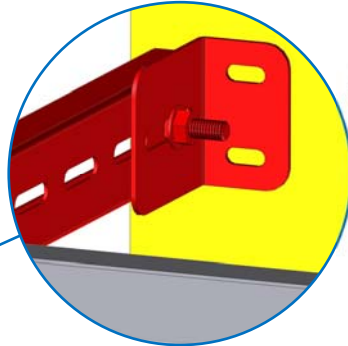
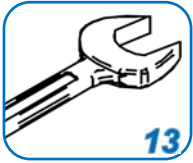
Depending on the number of hangers

**Please note:** Cut and deburr any excess from the hangers at the end of the installation.

Repeat the process for all of the hangers

**The number of hangers depends on the dimensions of the doors:**  
 - 2 hangers for a door of 3,000 x 2,150 mm max.  
 - 4 hangers above these dimensions.

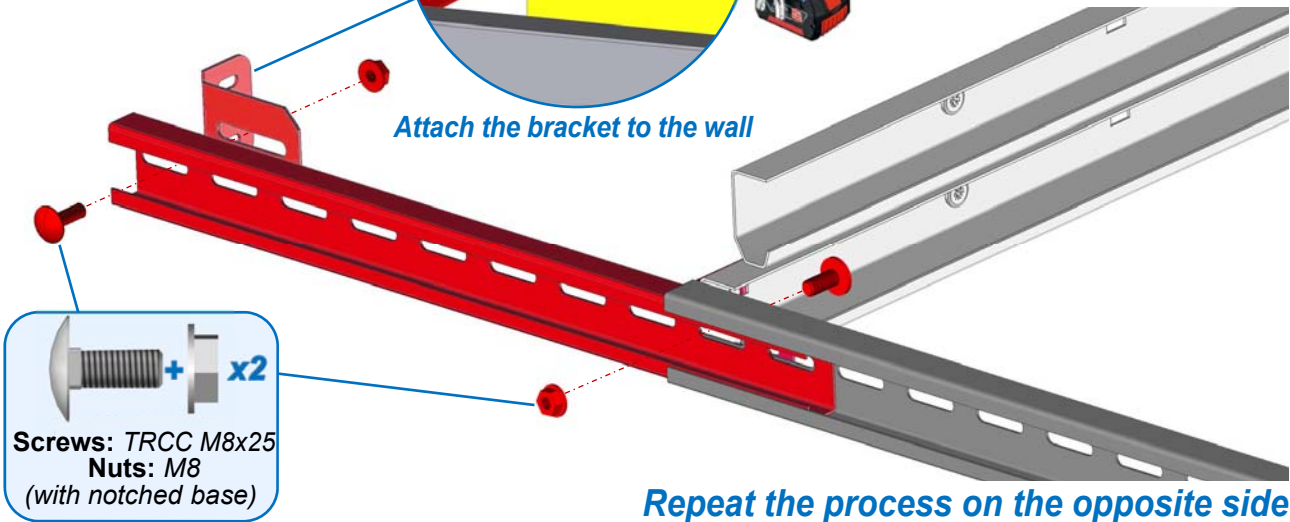
# If there is a rod extension



Ø8 mm (max.)

+ Use suitable fittings (not provided)

Attach the bracket to the wall



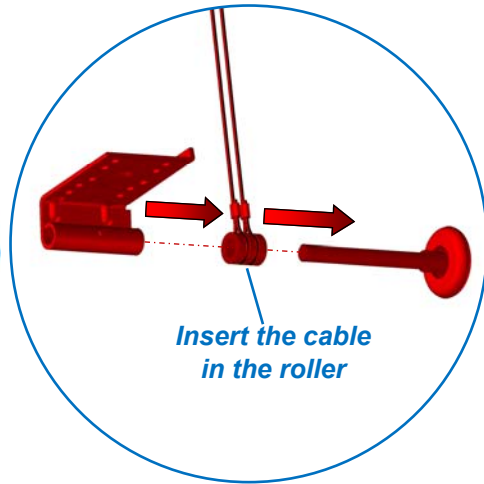
Screws: TRCC M8x25 Nuts: M8 (with notched base)

Repeat the process on the opposite side





3



Insert the cable  
in the roller

Attach the low suspension unit



Screws: Self-drilling  
TB Torx 6.3x25

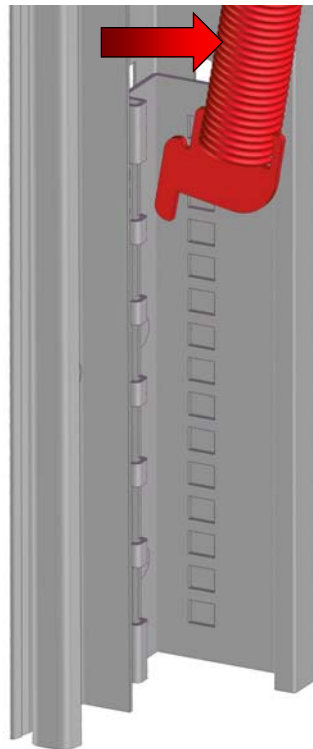
Repeat the process  
on the opposite side

## Spring tension

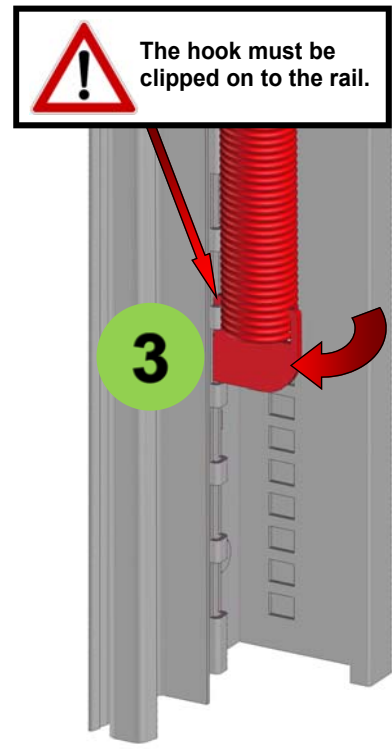


**X = Number between 1 and 6 inclusive.**

Sticker affixed to the inside of the rail,  
indicating the **no. of notches** for attaching the springs.



Unhook the spring

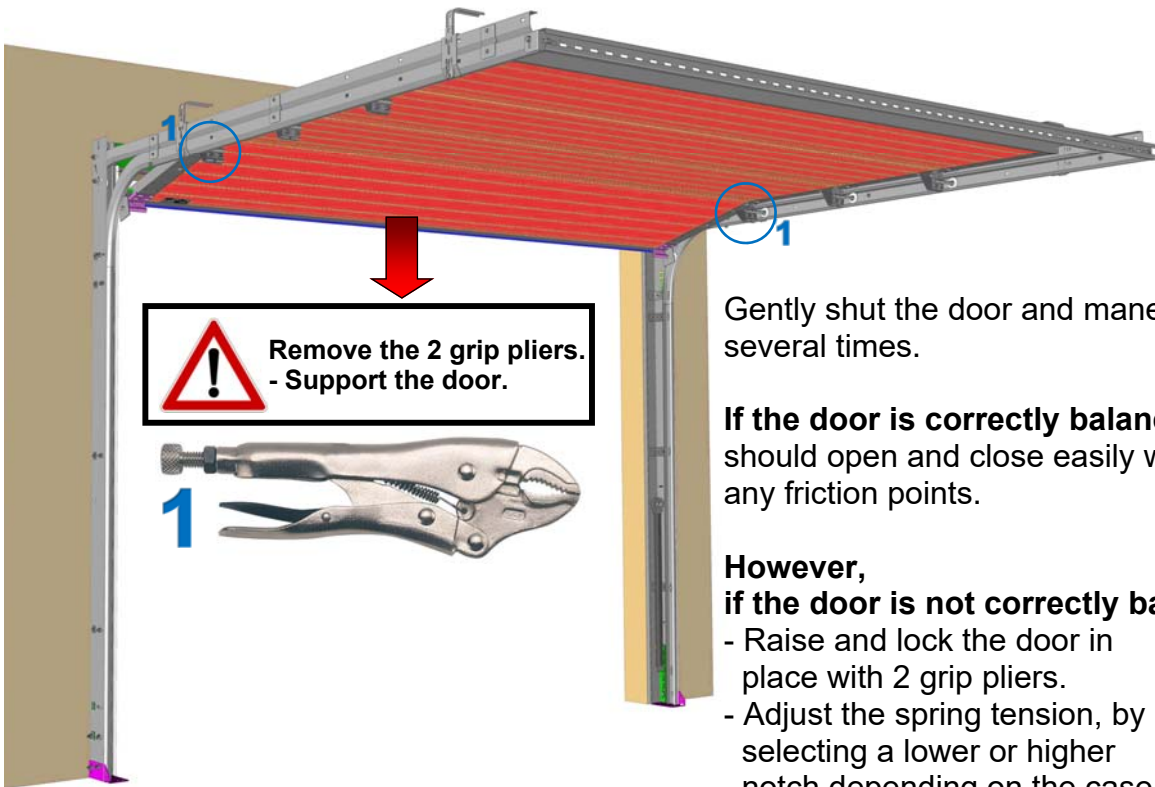


Hang the spring on the  
no. of notches indicated

Example: 3

Repeat the process with the other vertical rail.

# Check the balance



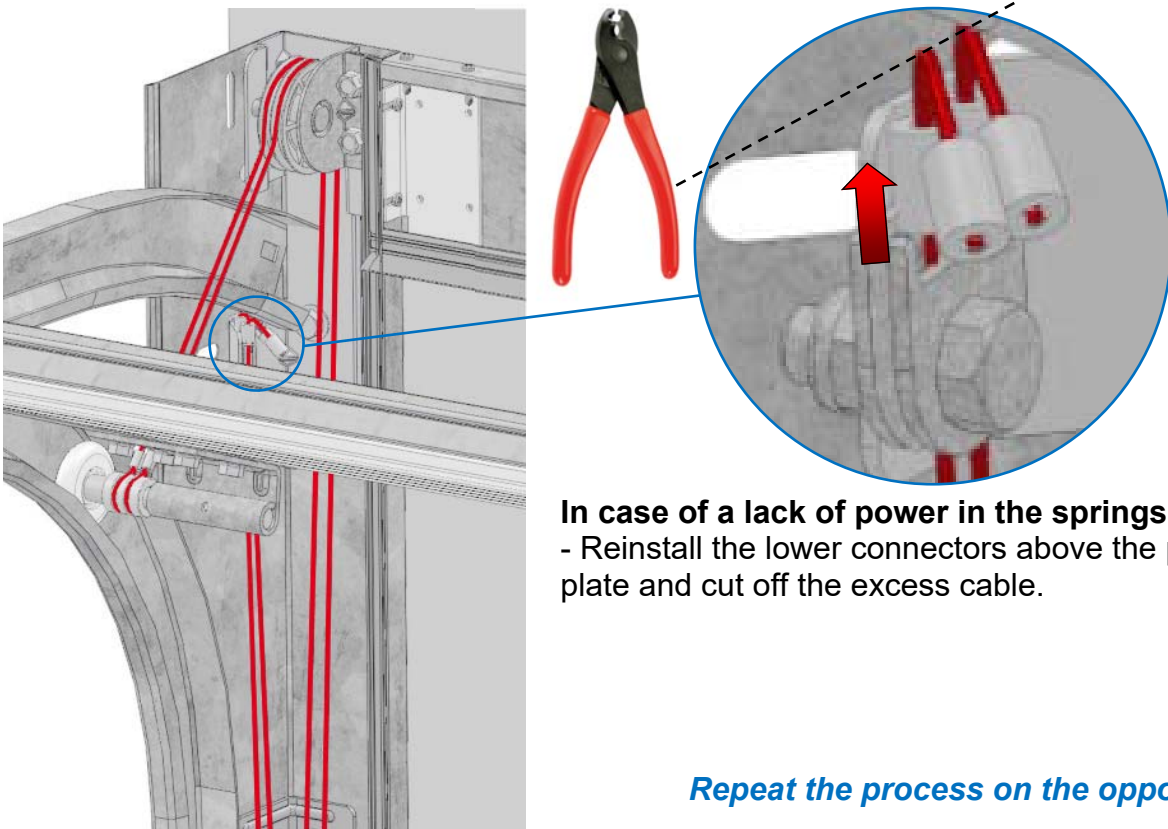
Gently shut the door and maneuver it several times.

**If the door is correctly balanced**, it should open and close easily without any friction points.

**However, if the door is not correctly balanced:**

- Raise and lock the door in place with 2 grip pliers.
- Adjust the spring tension, by selecting a lower or higher notch depending on the case.

# Additional settings

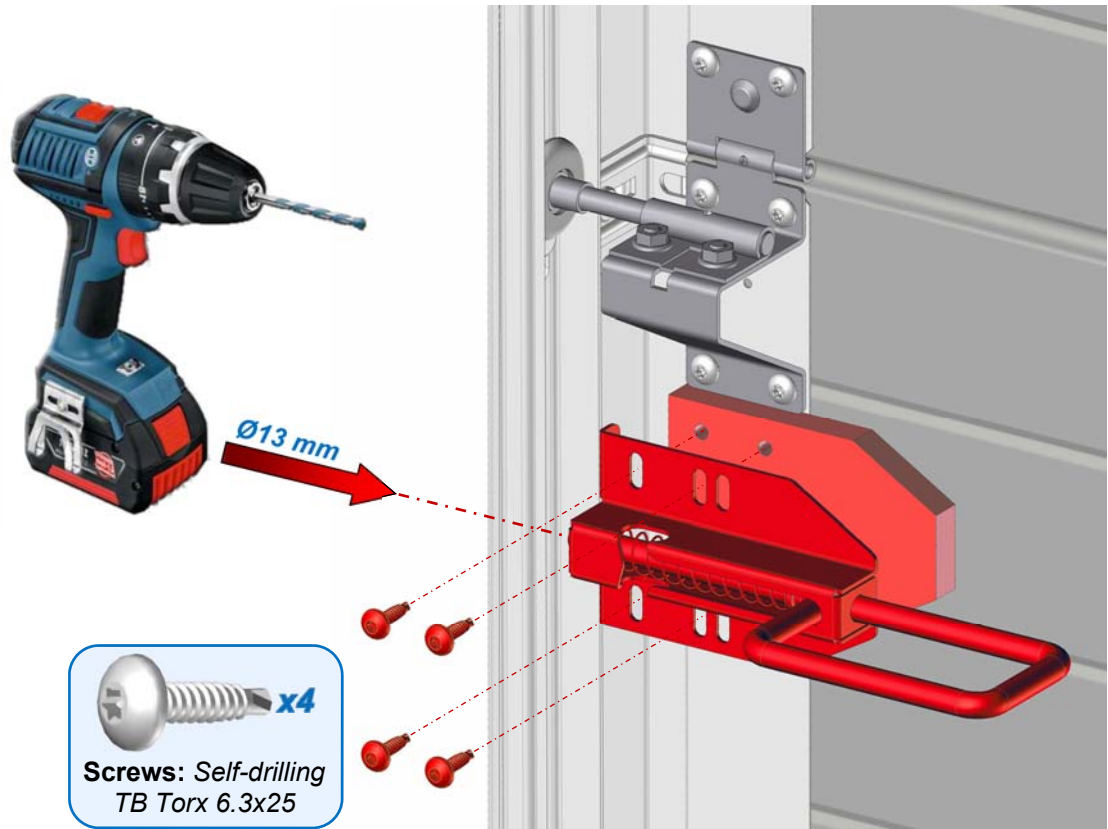


**In case of a lack of power in the springs:**

- Reinstall the lower connectors above the pivot plate and cut off the excess cable.

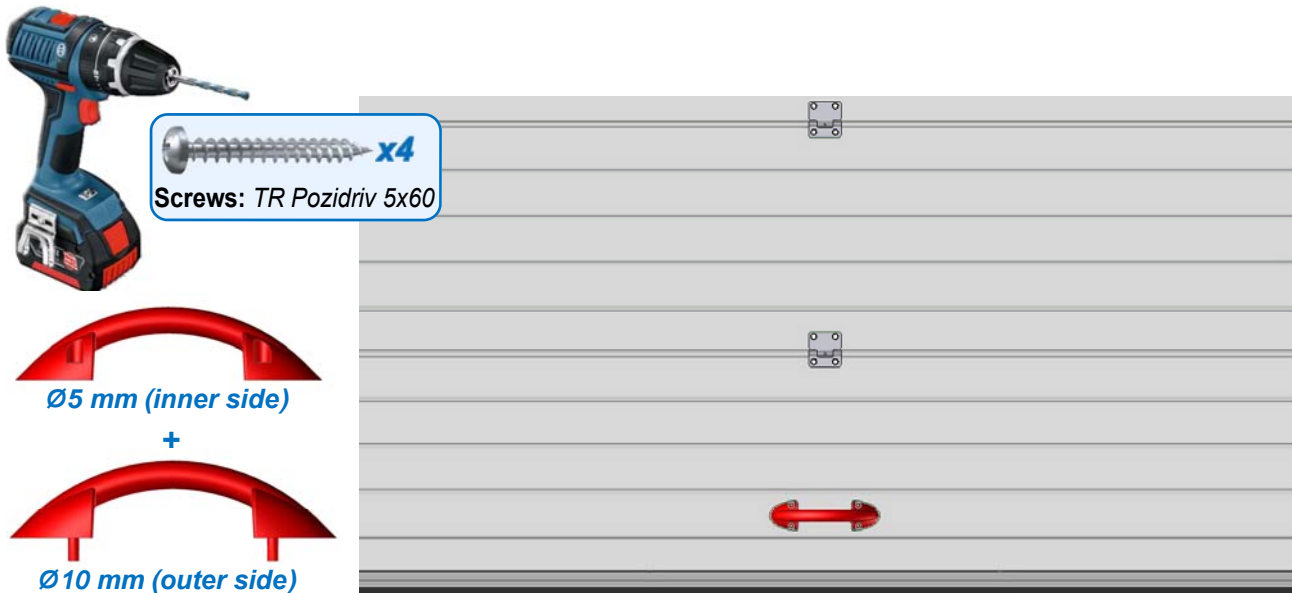
*Repeat the process on the opposite side*

# Install the latch



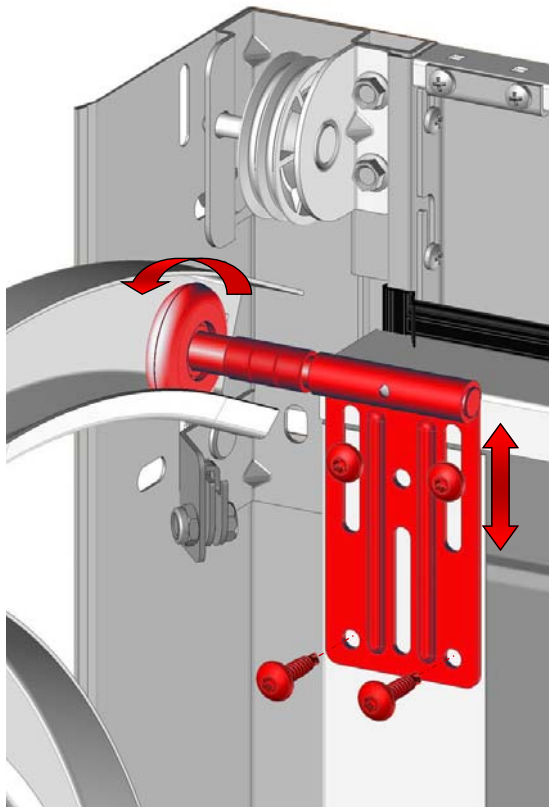
*1st intermediate panel*

# Install the handle



*Bottom panel*

# Adjust the roller guides



Top roller support

  
 - The roller rod must be able to turn freely.  
 - Do not flatten the lateral joints of the shutter.

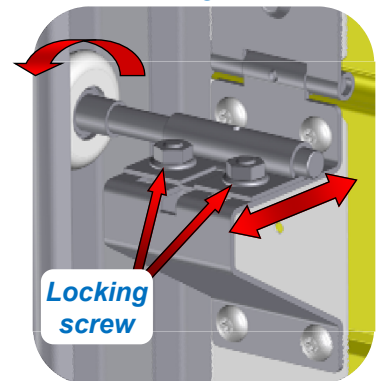
After adjustment, insert the screws:



Tandem (option)



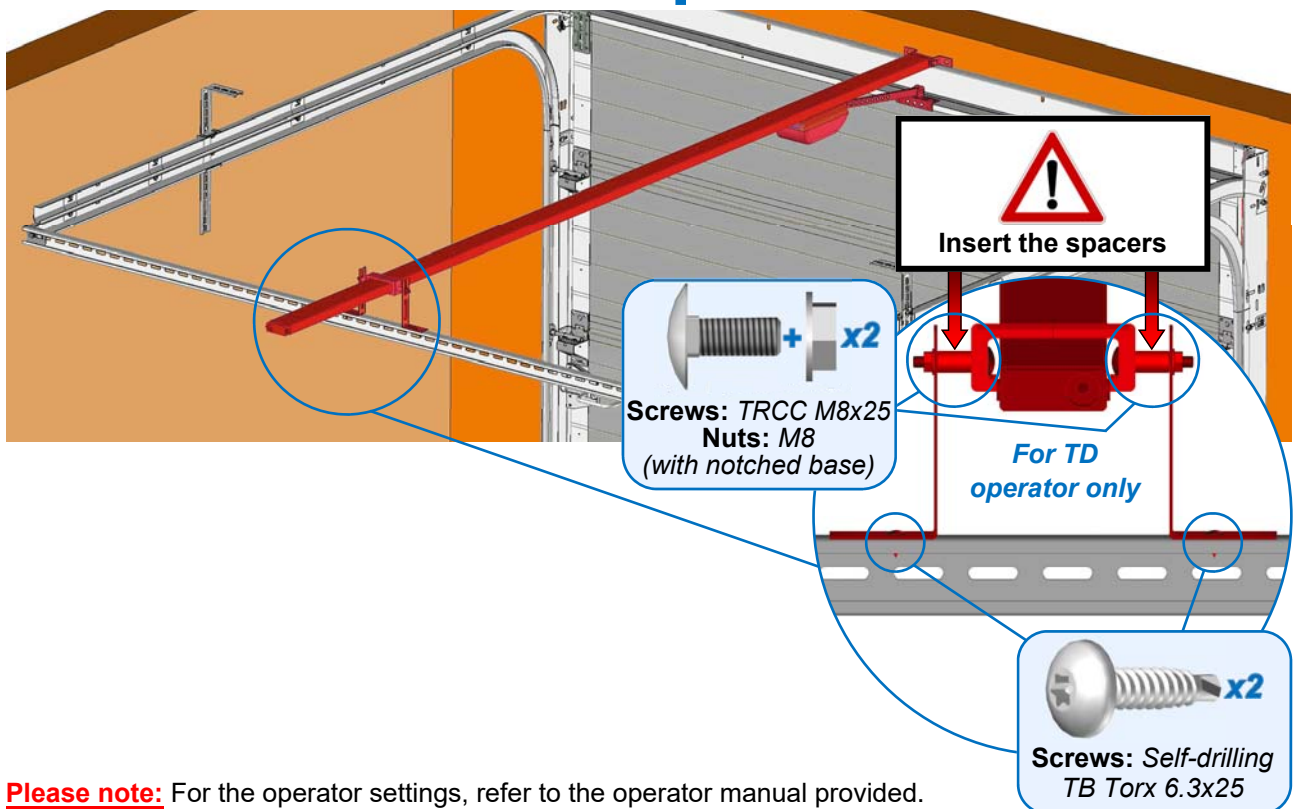
or



Lateral hinge

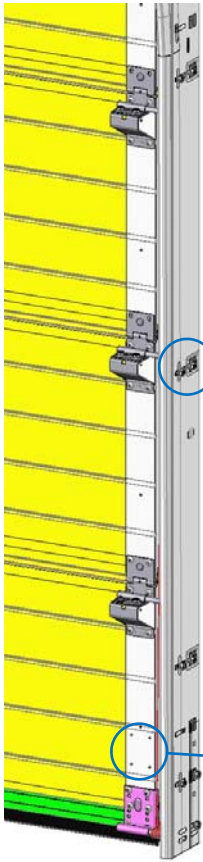
Repeat the process on the opposite side

# Attach the operator rail



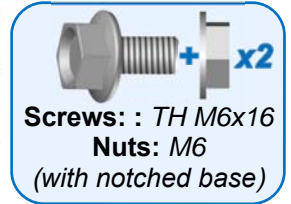
**Please note:** For the operator settings, refer to the operator manual provided.

# Install the pull cord (if manual door)



Remove the screw

then

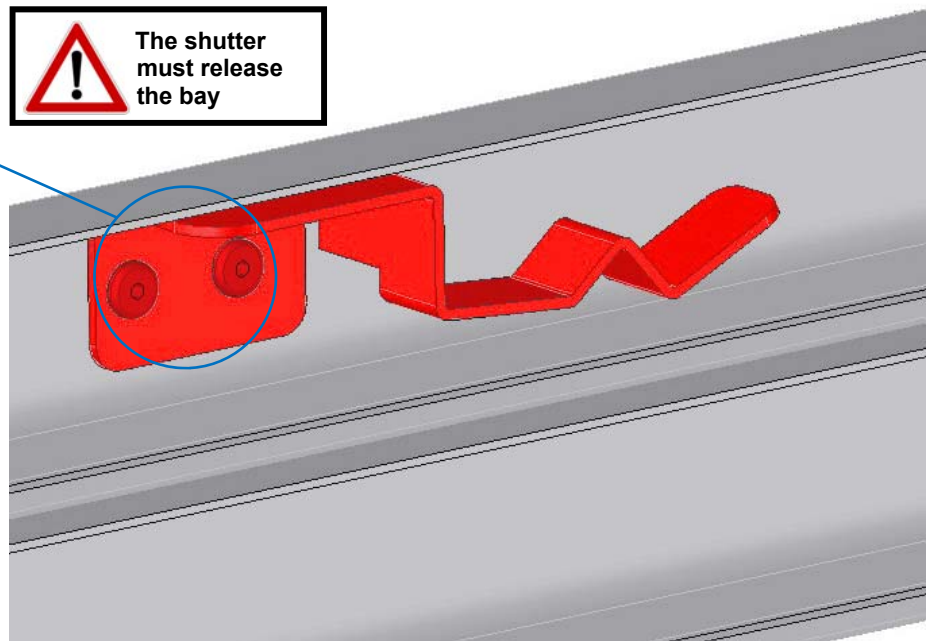
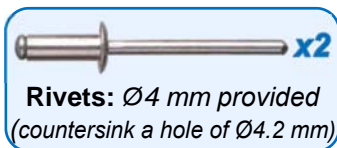


Screws: : TH M6x16  
Nuts: M6  
(with notched base)



Screws: Self-drilling  
TB Torx 6.3x25

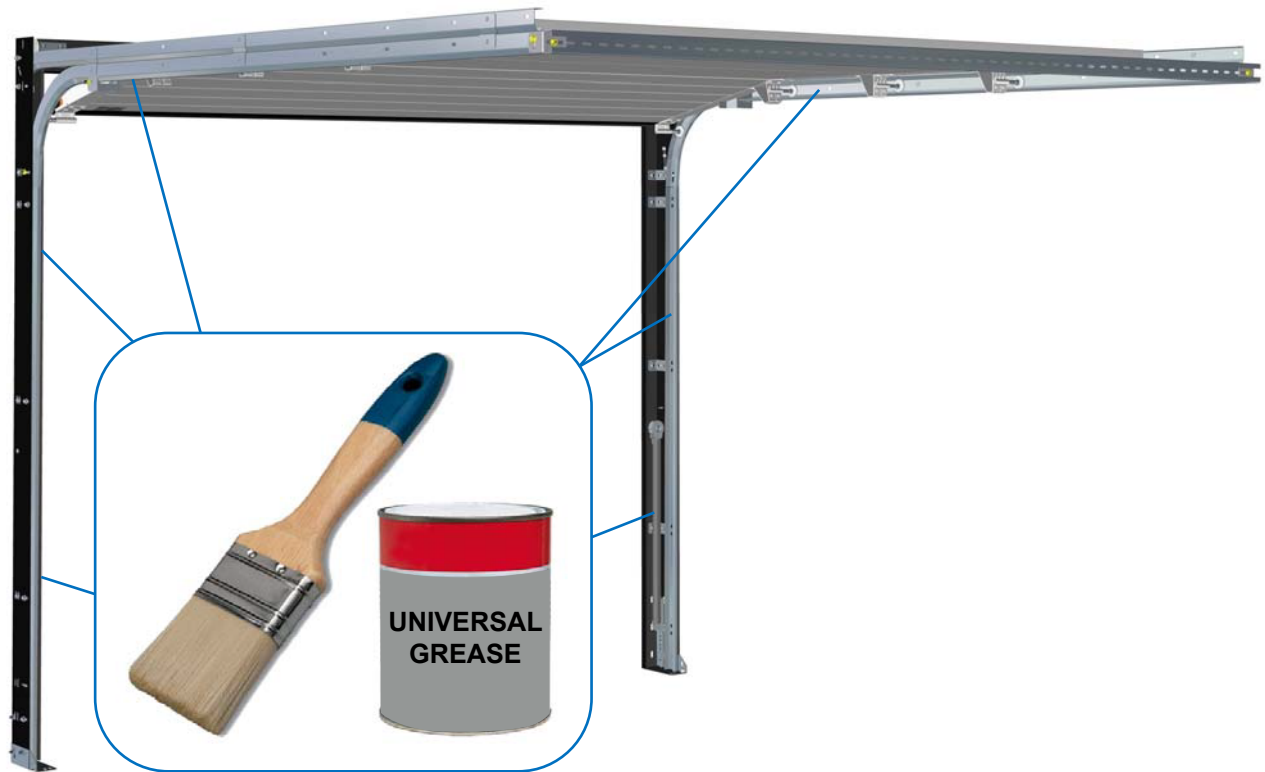
# End position clip (if manual door)



Repeat the process on the opposite side



# Grease the bottoms of the rails and the springs



## Option: Motorization

To install the operator,  
refer to the relevant manual in the operator pack provided.

