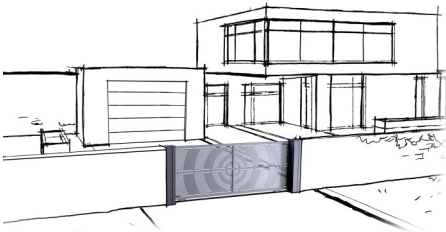


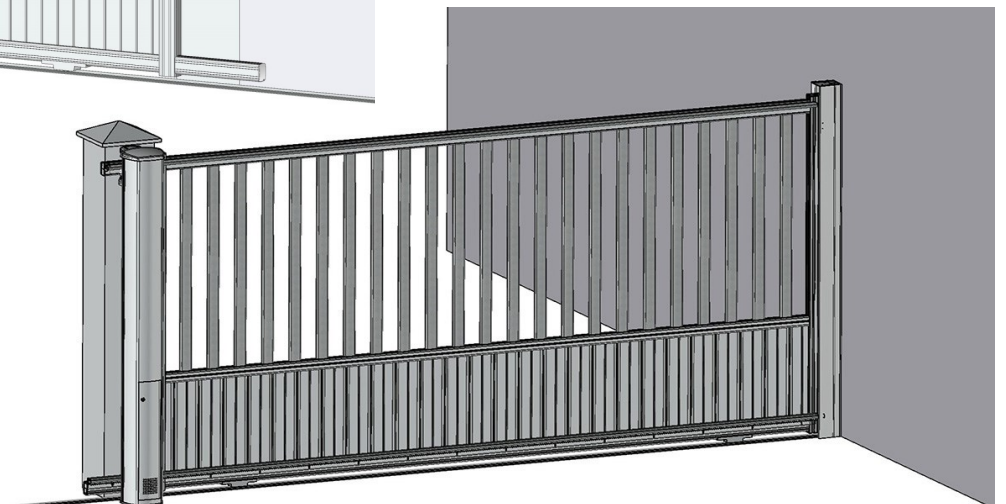
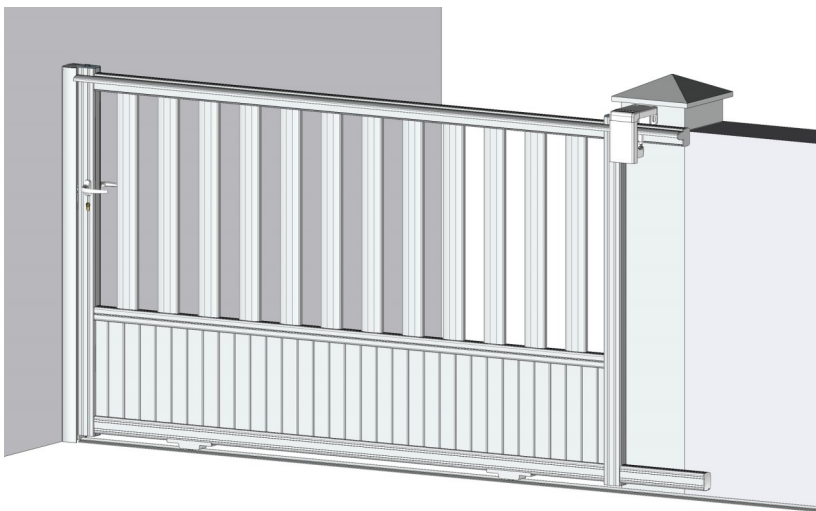
# Manual : N° 7406

## Installation complement

### *Sliding Gate*



***Against a wall***  
***Manually or motorized***  
***or with TOTEM operator***

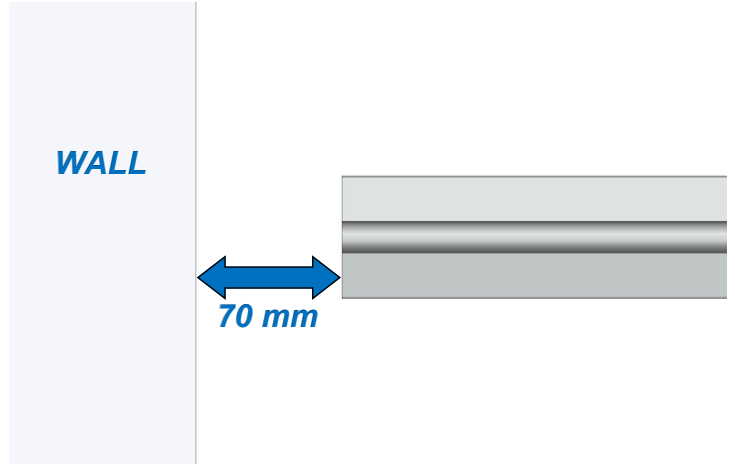
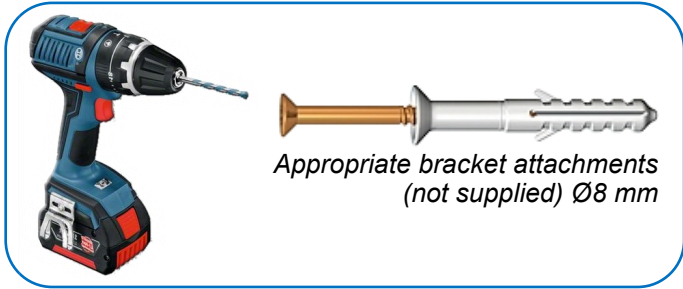
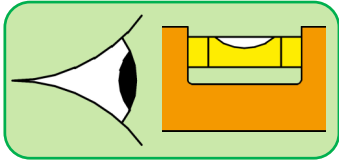


(Document reserved for installers)

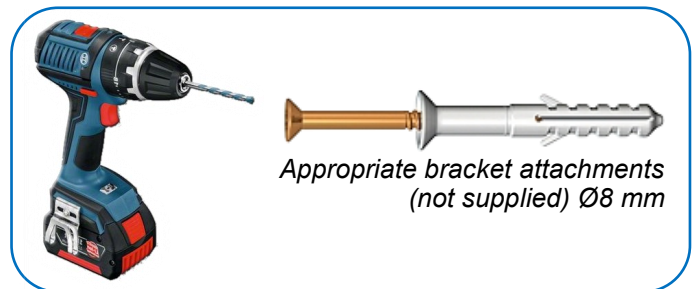
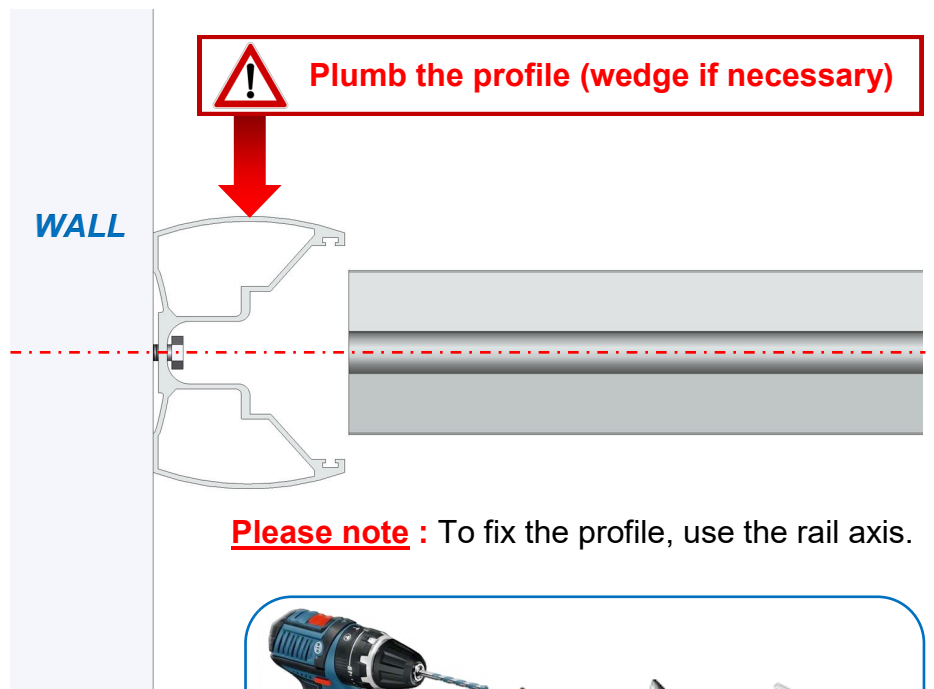
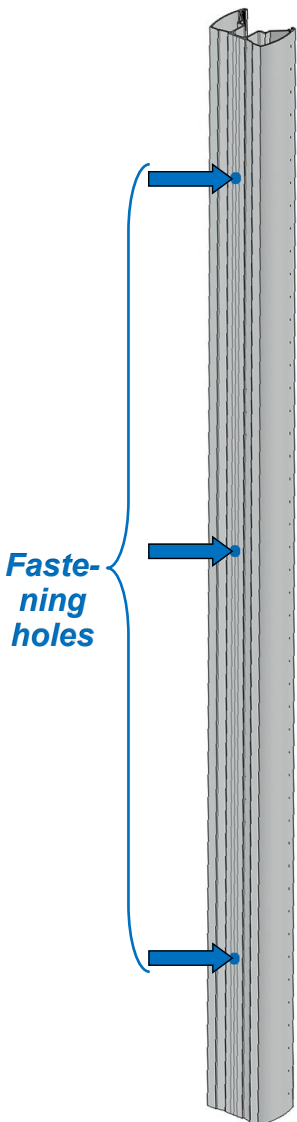
# Manual or motorized gate

## Except TOTEM operator

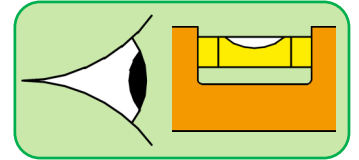
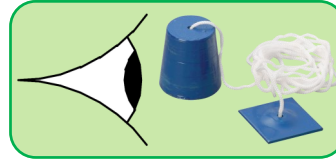
### Installation of bottom guiding rail



### Installation of the U-section



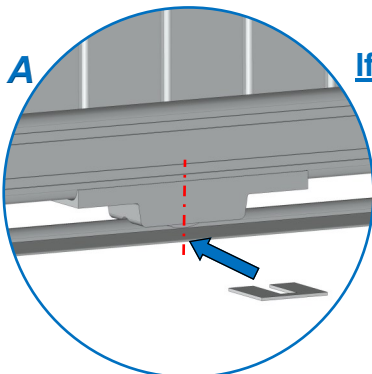
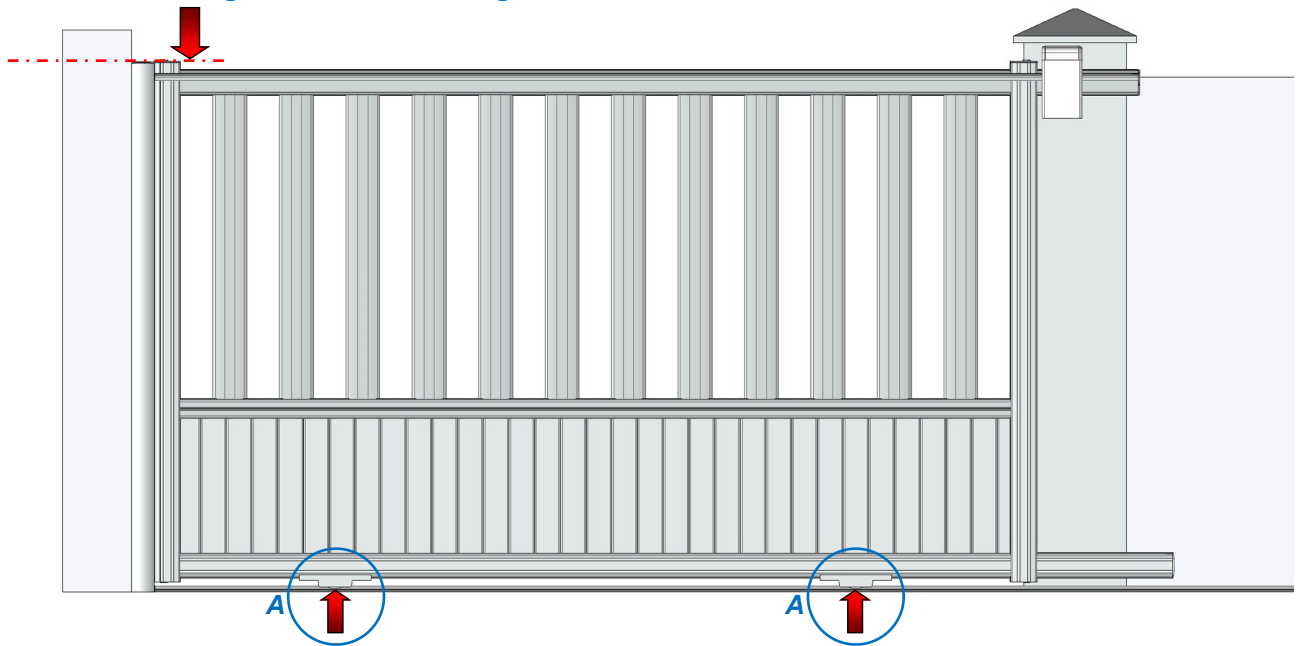
# Alignment check



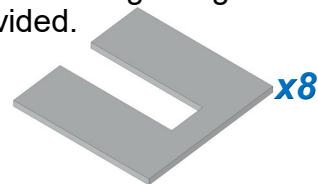
**IMPORTANT :**

To ensure the gates operate correctly check that the U-section is plumb and the gate is level when closed.

*Check the alignment when the gate is closed*

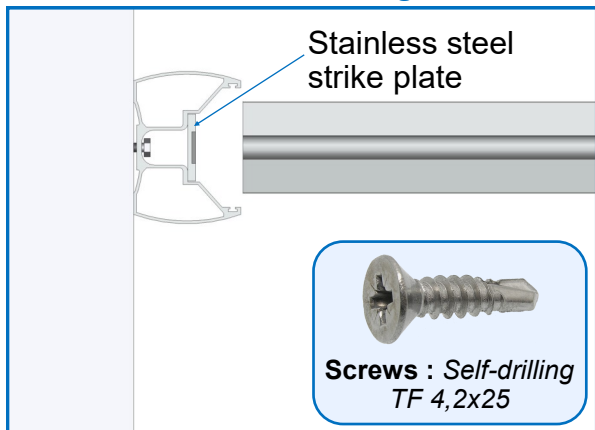


**If necessary :** Insert shims under the guiding rail near the rollers, shims are provided.

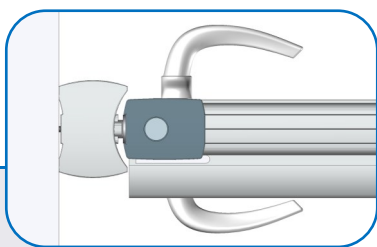
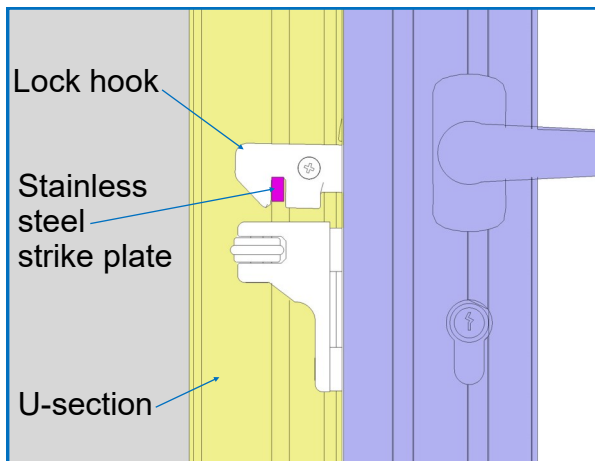


# Closing

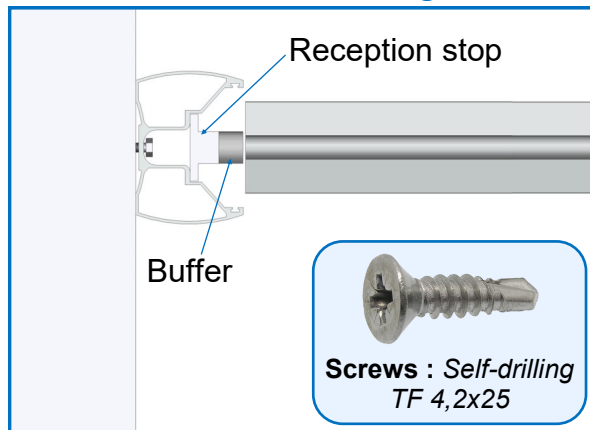
## Manual closing



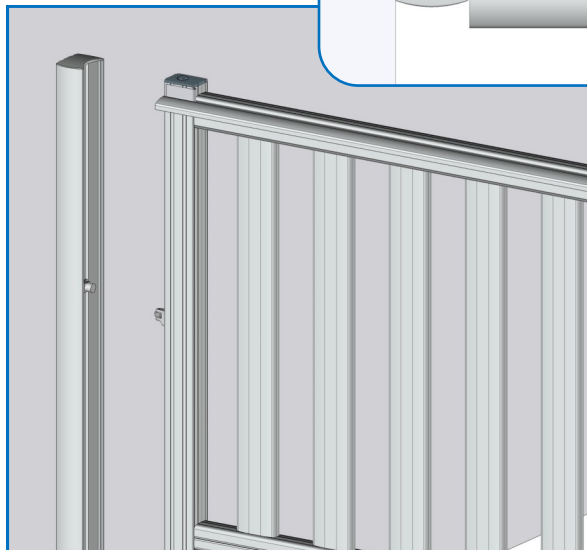
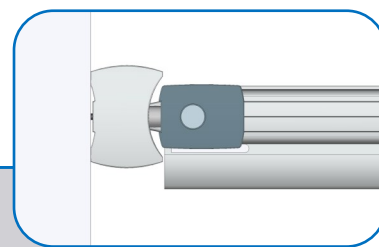
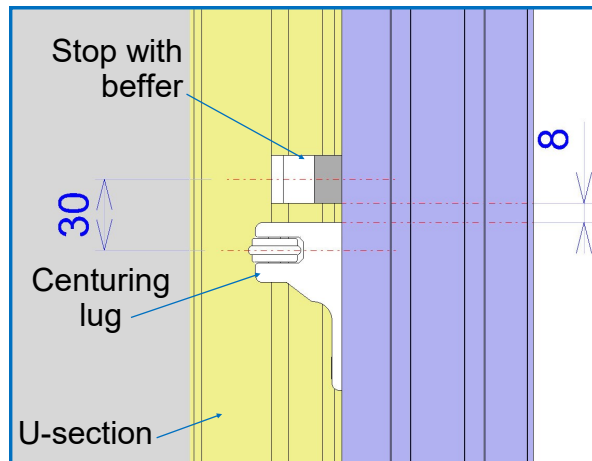
Place the stainless steel strike plate in relation to the lock hook and secure it with the screws.



## Motorized closing

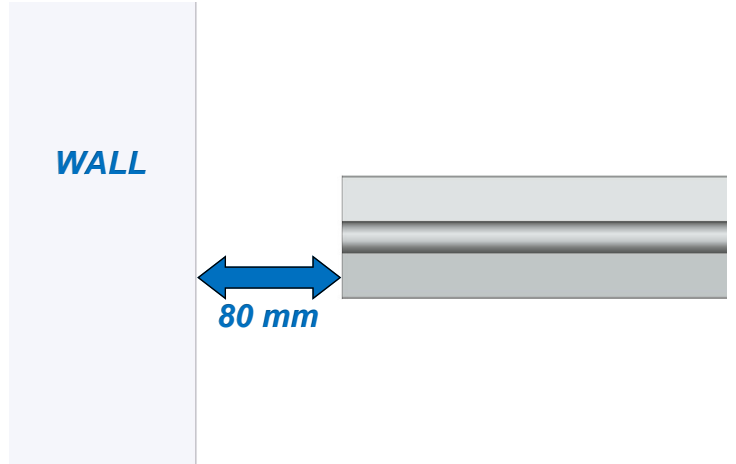
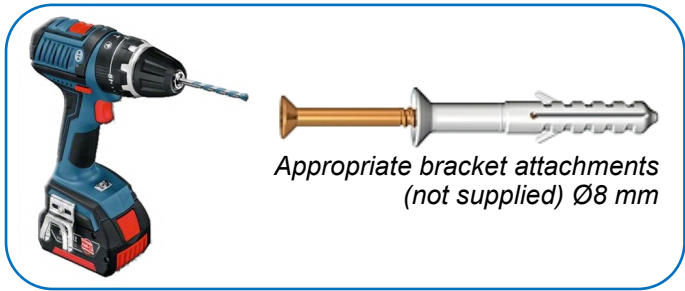
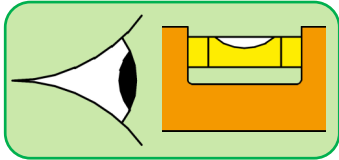


Place the receiving stop (with buffer) over the centering roller, then secure it with the screws.

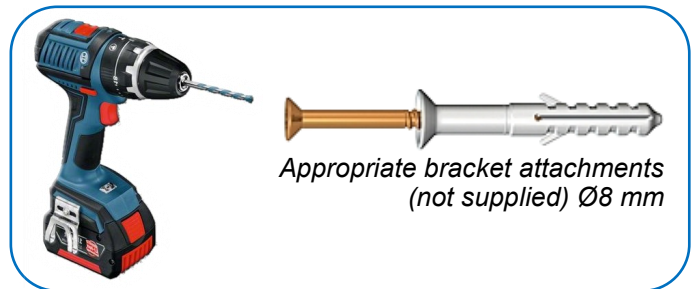
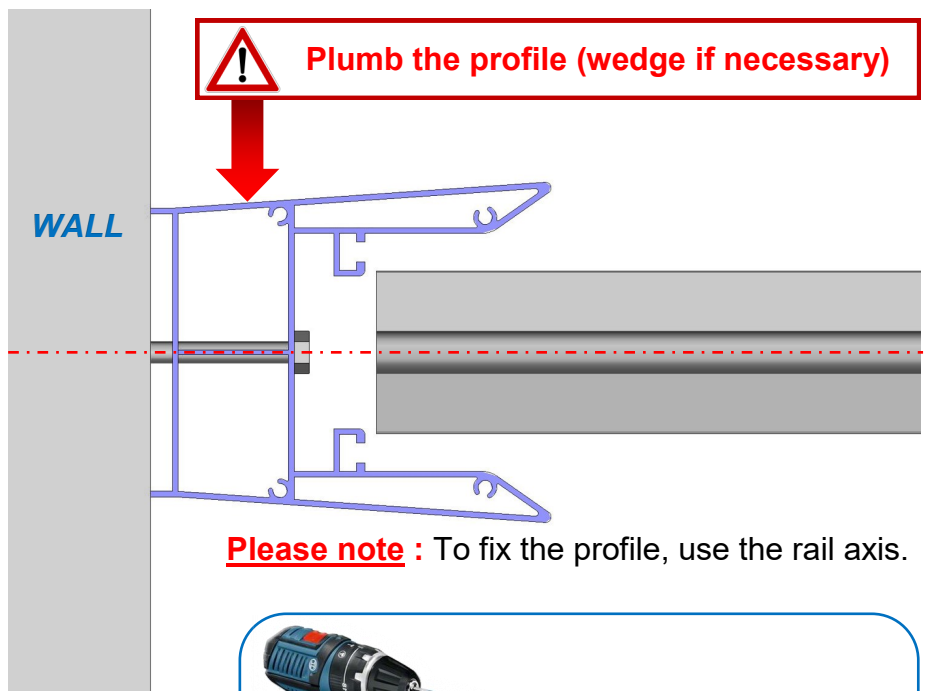
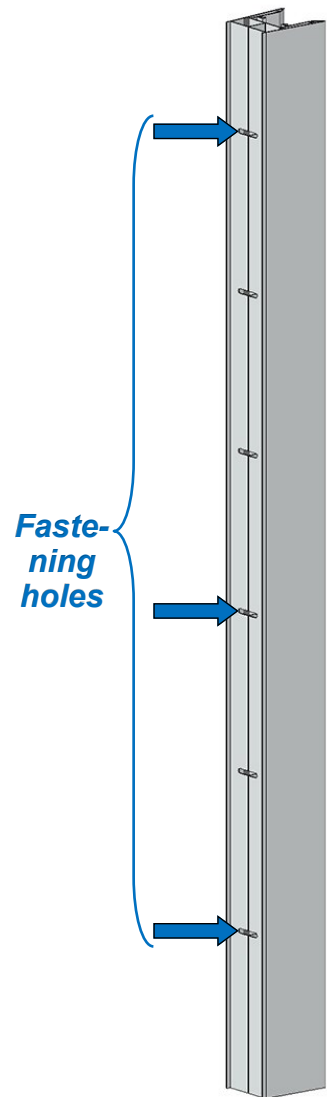


# Gate with TOTEM operator

## Installation of the bottom guiding rail

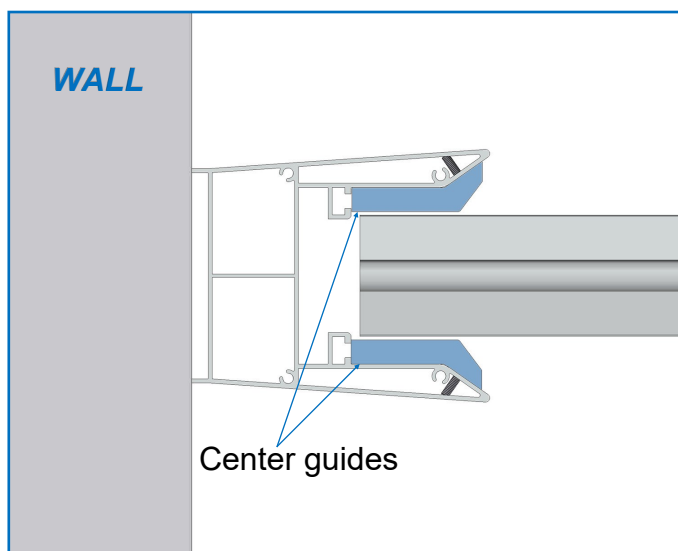


## Installation of the U-section

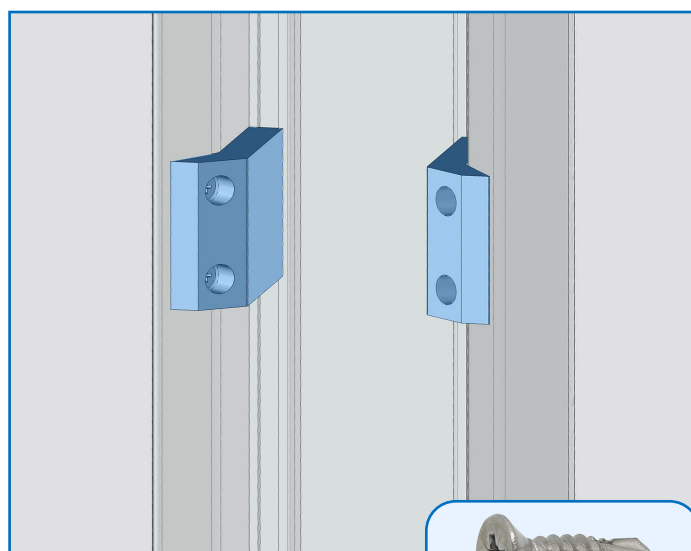


**Check alignment and wedge under the guide rail, if necessary.**  
Resume chapter : Checking the alignment.

## Installation of center guides



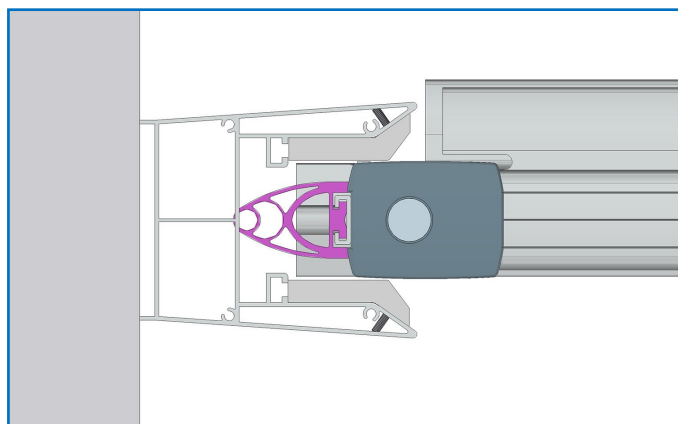
*Top view*



Place the center guides inside the profile, upwards and fix them.

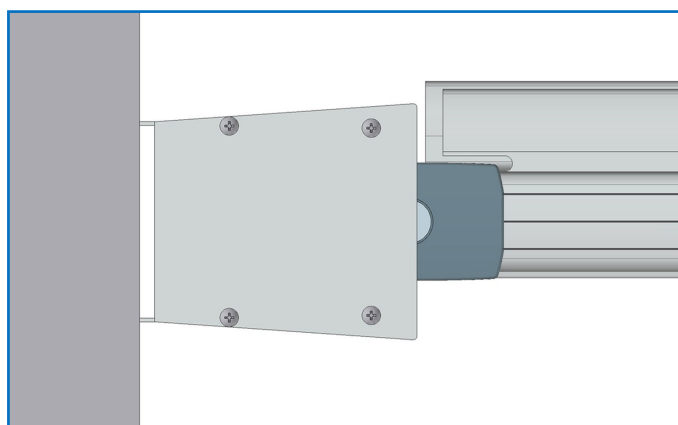
**Screws : Self-drilling TF 4,2x16**

## Closing and finishing



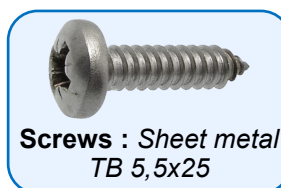
*Top view*

Check the manual closing of the gate, the safety edge must fit correctly into the receiving profile between the centering guides.



*Top view*

Place the finishing cap above the U-section and fix it.



**Screws : Sheet metal TB 5,5x25**