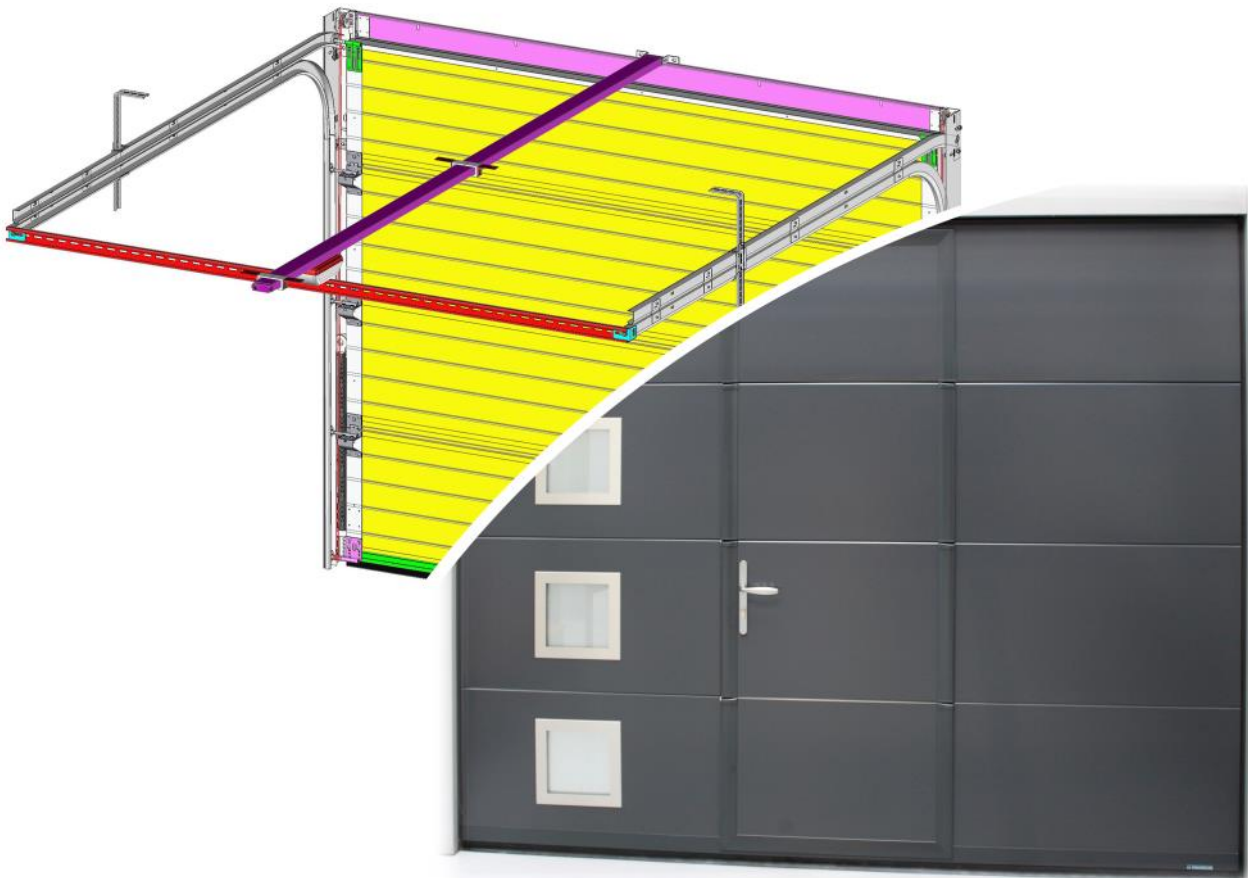


Manual: No. 7032 **INSTALLATION**

Residential garage doors



*With extensions springs
and Wicket door*



(Document reserved for installers)

Contents

Required equipment	p.2
Installation instructions	p.3
Content of kits.....	p.4
Assemble the frame.....	p.5
Content of wicket door packs	p.9
Identify the opening direction	p.10
Prepare the panels	p.10
Assemble the shutter.....	p.12
Install the horizontal rails.....	p.15
Install the top panel	p.19
Set the stop module	p.20
Install the rod	p.21
Activate the lock	p.24
Box operation test.....	p.25
Adjust the door closure	p.26
Solution: If the lock is stuck	p.27
Wicket door finishes	p.28
Install the cables/springs	p.29
Finishes	p.33
OPTION: Motorization	p.36

Required equipment

- Ladders + 2 trestles
- Clamps and locking pliers
- Spirit level or laser level
- Plumb bob
- Tape measure (8M)
- Pencil, Utility knife
- Hammer drill
- Pins with screws (Ø6 max.) and concrete drill bits
- Hammer
- Hacksaw
- Universal clamp
- Wooden shims: 5 mm
- Cable-cutting pliers
- Steel drill bit with Ø4.2 mm, max. length of 30 mm
- Steel drill bit with Ø6, Ø8, Ø9, Ø10, Ø11 and Ø16 mm
- Electric screwdriver with torque limiter equipped with Torx end-piece of 30 mm
- Flat wrenches: 10 and 13 mm
- Socket wrenches: 10 and 13 mm
- Cross-head screwdriver
- Angle grinder
- Lubricant spray
- Grease and brush
- Can of oil
- Silicone sealant
- Riveting pliers

Installation instructions



CAUTION!

To ensure that this product is assembled, used and maintained in complete safety, it is important to follow the instructions provided in this document. For everyone's safety, please observe the precautionary measures below.



- * Before beginning the assembly, read this manual carefully.
- * This closure must be installed by a professional technician.
- * All the parts delivered are specifically sized for this product. Adding and/or using other parts may be detrimental to safety and may affect the product's warranty.
- * Any modification or improvement of this closure must be compliant with the standard EN 13241 + A2. In this case, a "modification/transformation" file must be created by the installer as per the standard EN 12635 annex C.
- * Considerable force is exerted by the extension springs. This work must therefore be carried out in accordance with the safety instructions. Use the appropriate tools to install these products. Ensure that the work is carried out on a stable floor.
- * Ensure that the assembly area is adequately lit, clear, clean and clearly marked out.
- * Ensure that no other people are present at the assembly site apart from the installers. Non-authorized persons (children for example!) who are present at the site risk injury during assembly.
- * All the components of this closure must be installed in compliance with the installation instructions provided in this manual.
- * All the requirements of the standards EN 13241 + A2 must be met and verified if necessary.

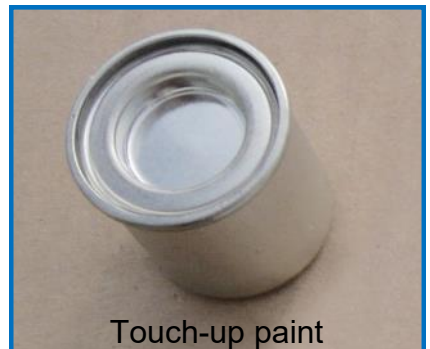
Max. locking torque:

- Assembly screw: **10 Nm**
- Shutter assembly screw: **12 Nm**

Min. working load per attachment point:

- Rails: **40 daN**

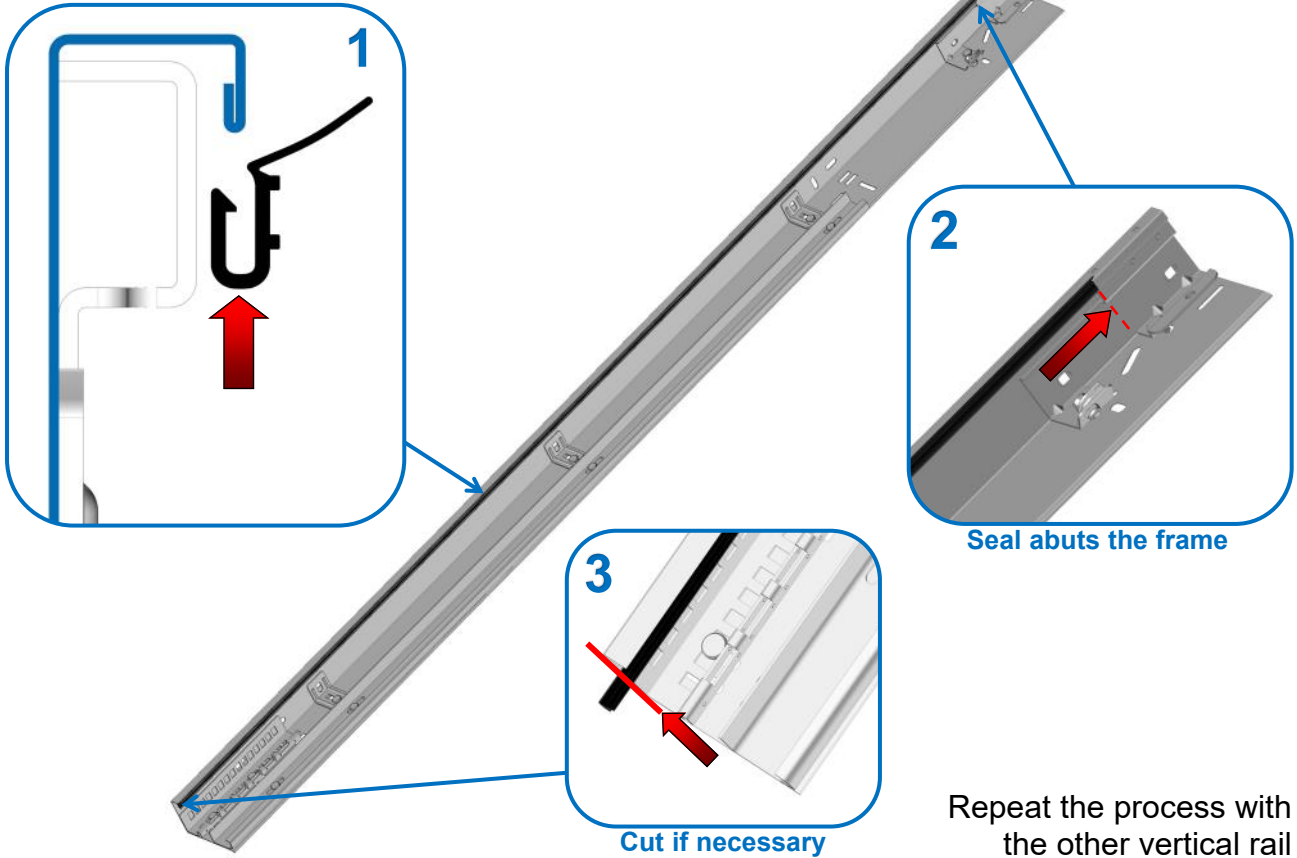
Content of kits



Assemble the frame

Clip on the vertical seals

Please note: Remove the protective film before clipping on the seal.

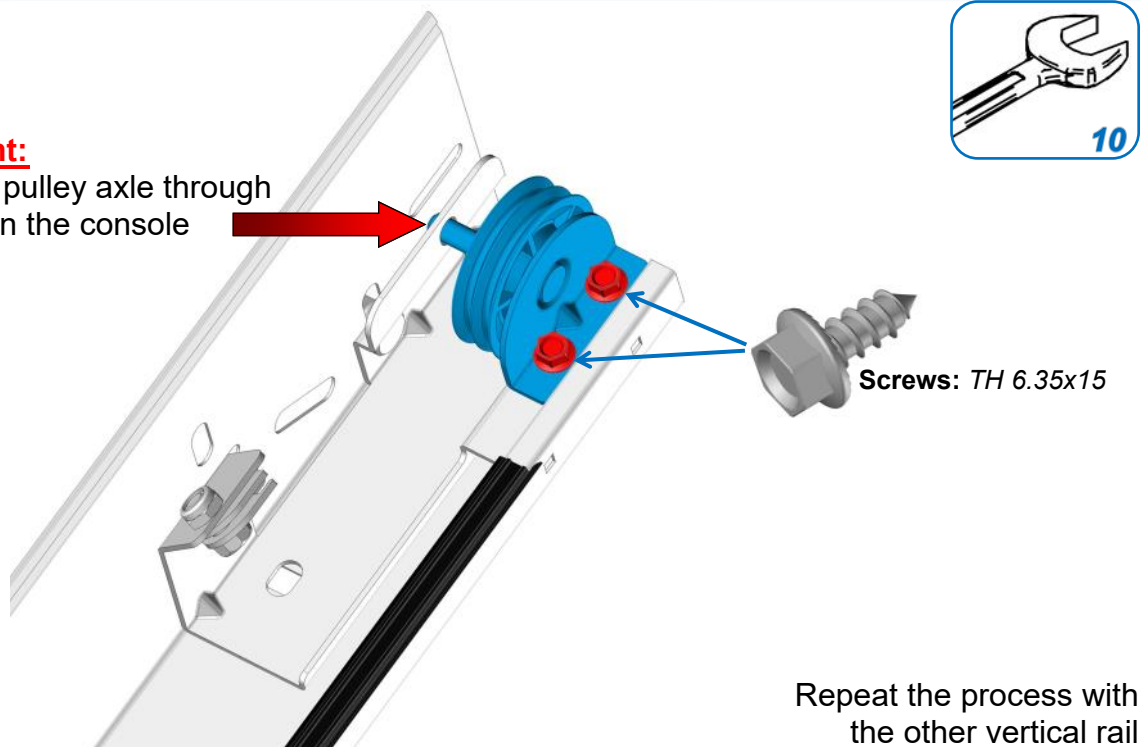


Repeat the process with the other vertical rail

Attach the pulleys

Important:

Pass the pulley axle through the hole in the console

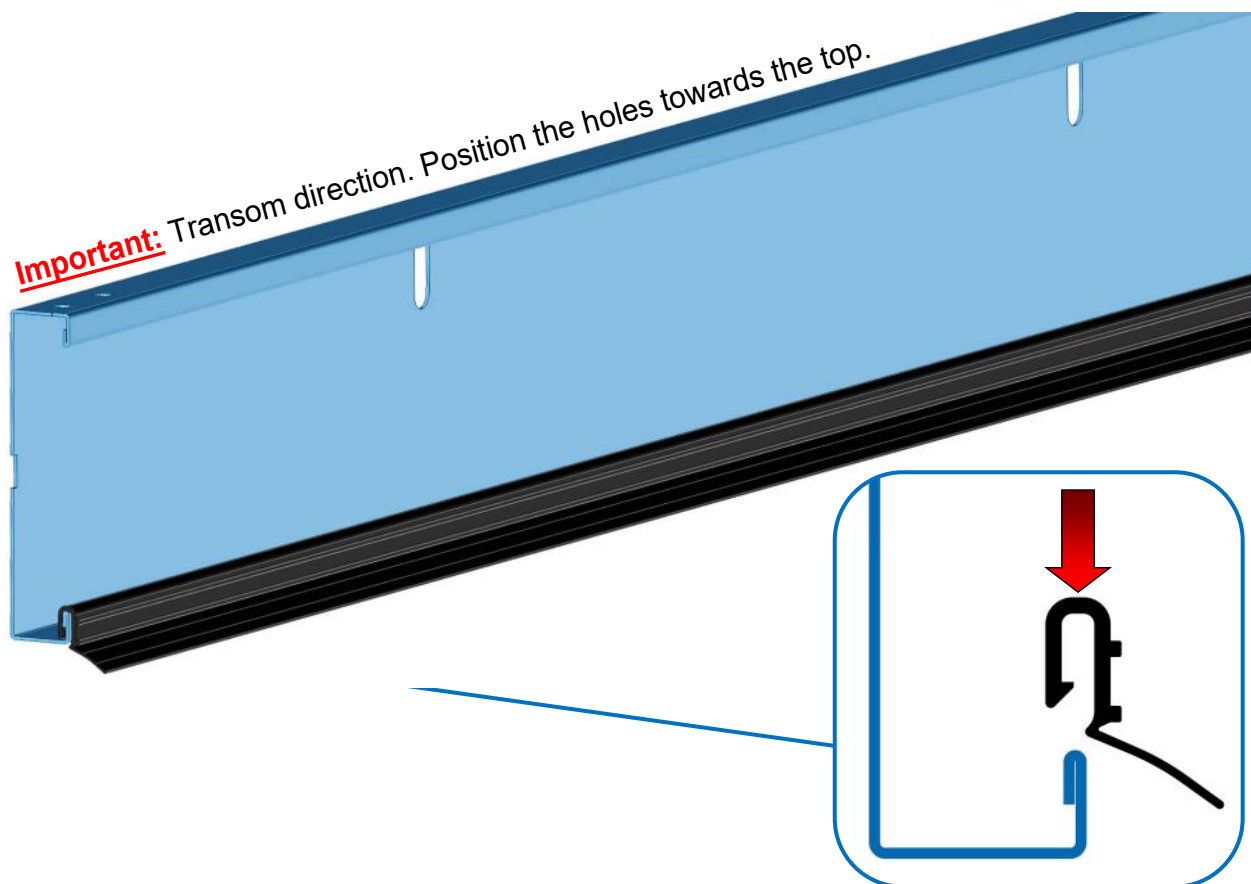


Repeat the process with the other vertical rail

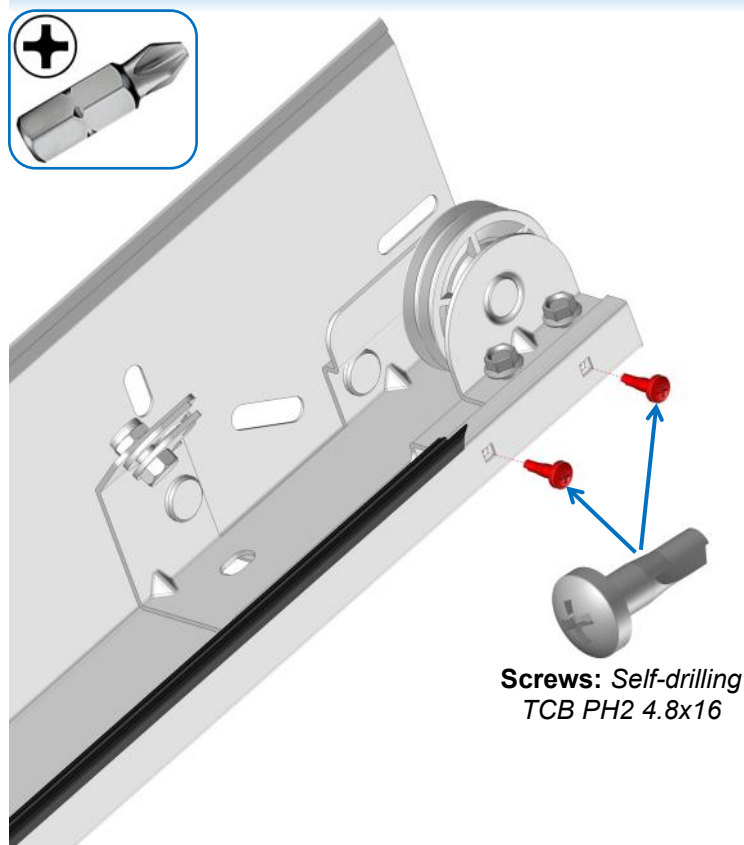
Clip the seal on to the transom

Please note: Remove the protective film before clipping on the seal.

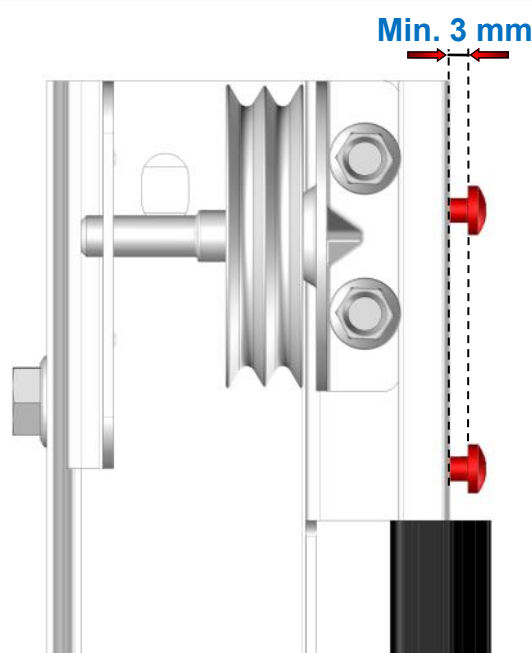
Important: Transom direction. Position the holes towards the top.



Prepare the bracket fitting

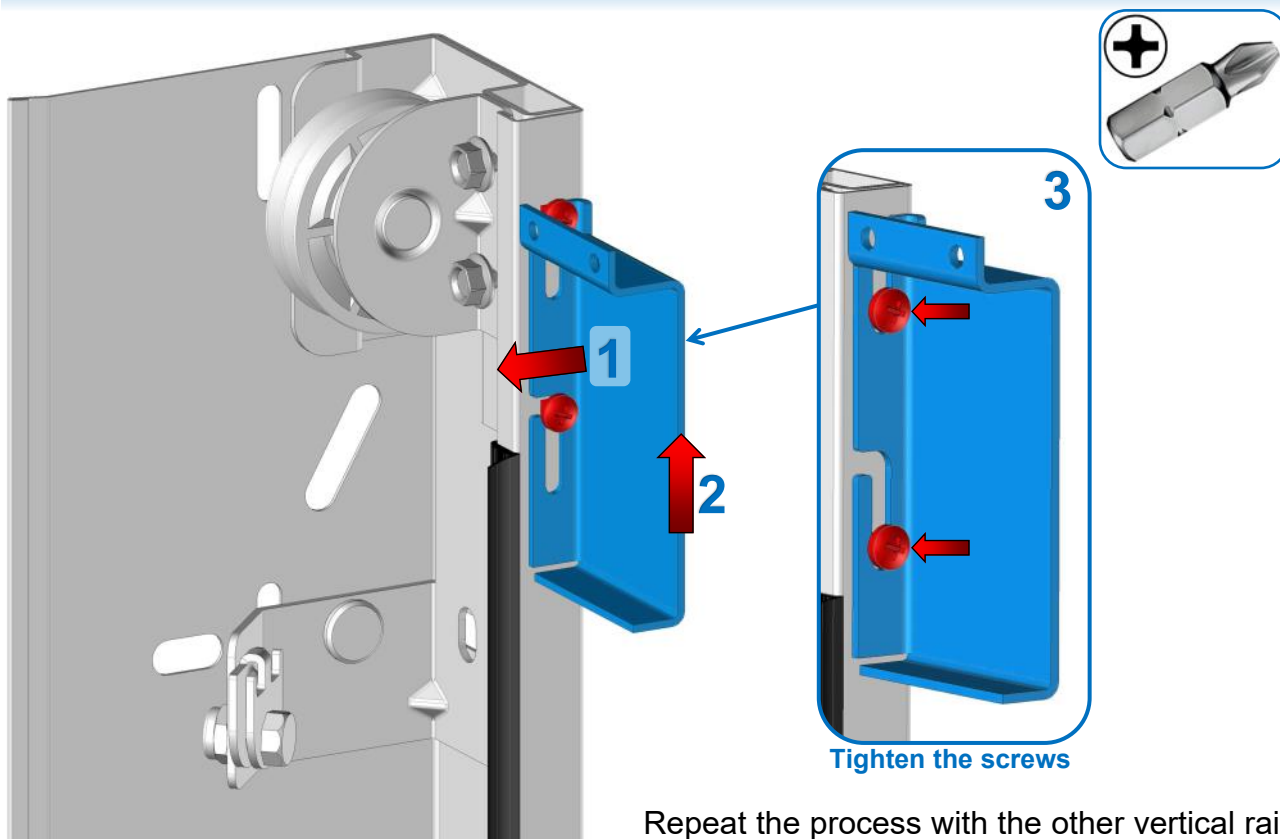


Screws: Self-drilling
TCB PH2 4.8x16

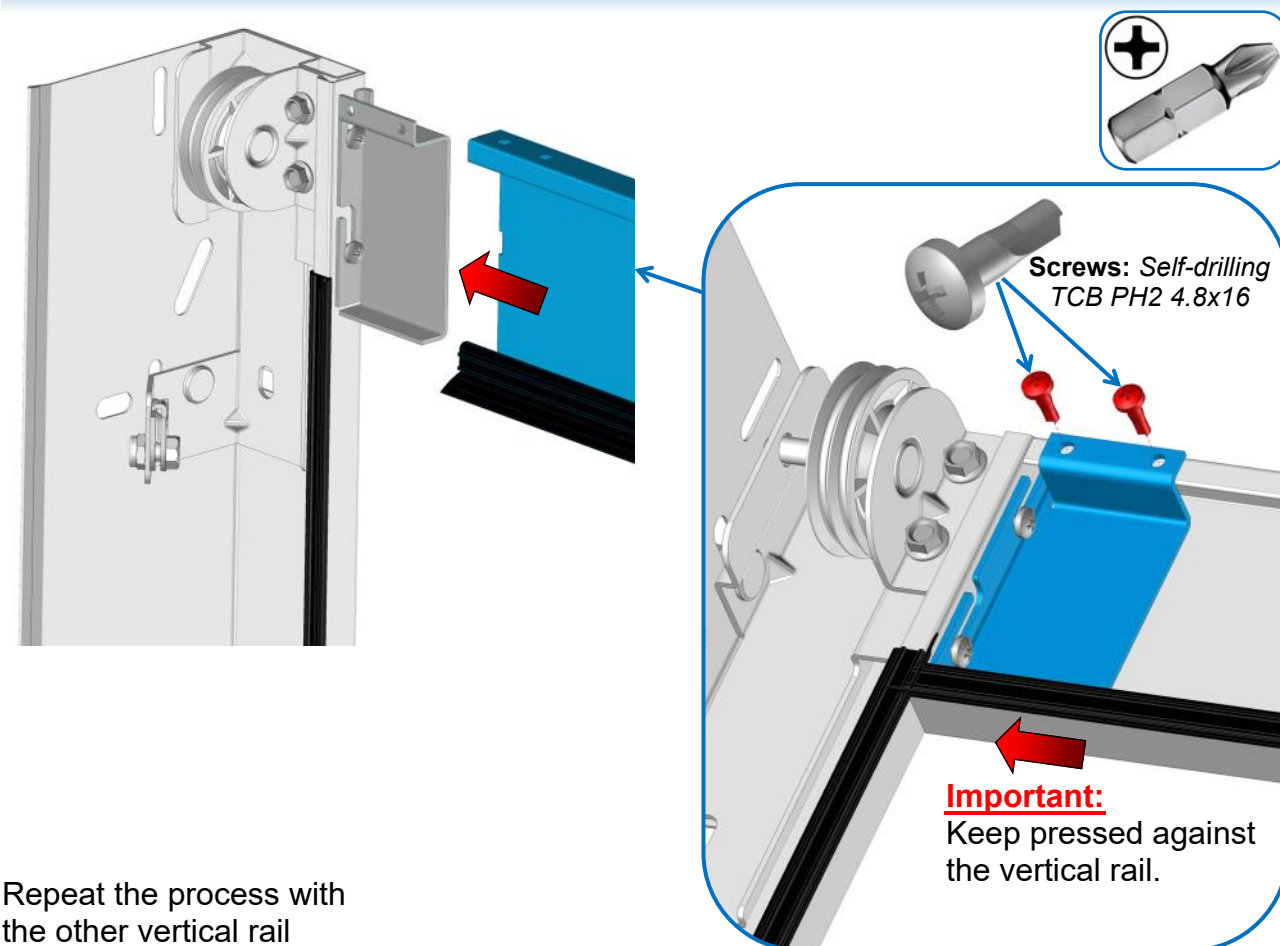


Repeat the process with
the other vertical rail

Install the bracket

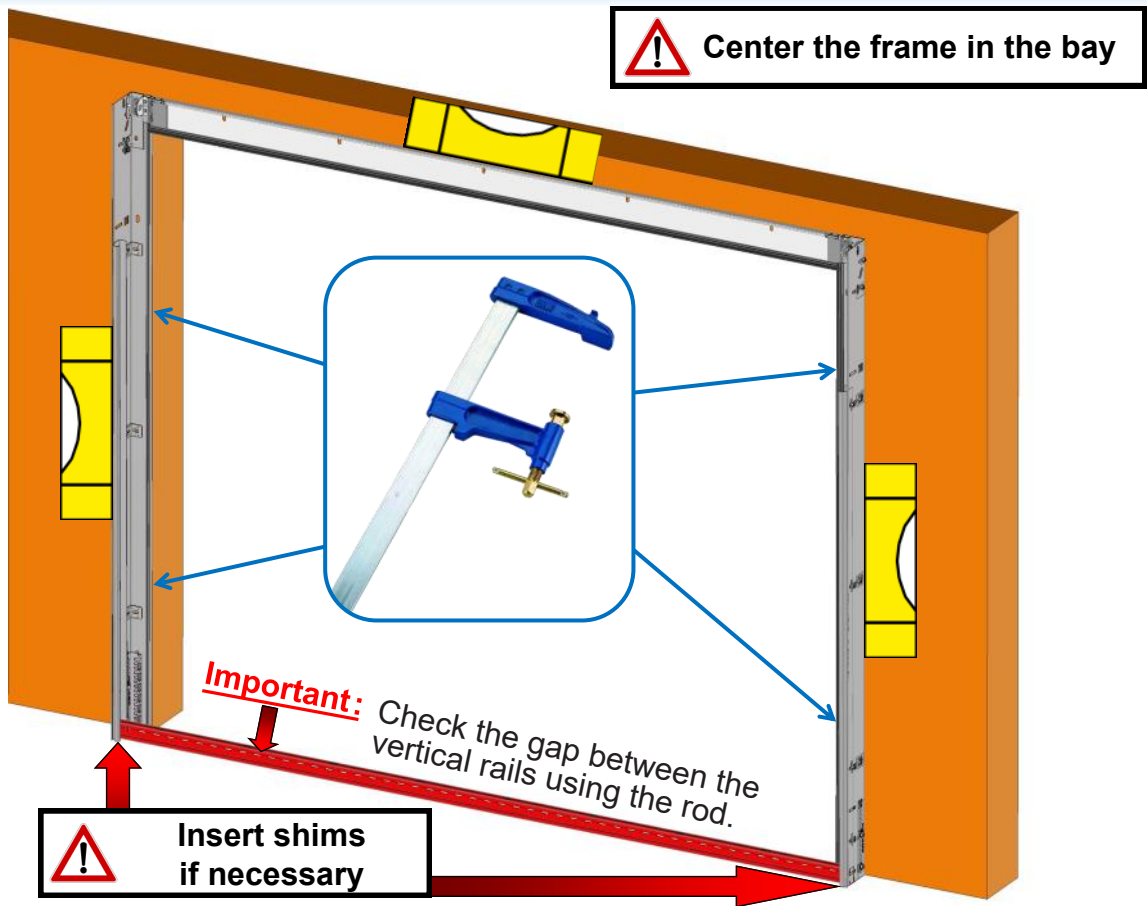


Attach the transom

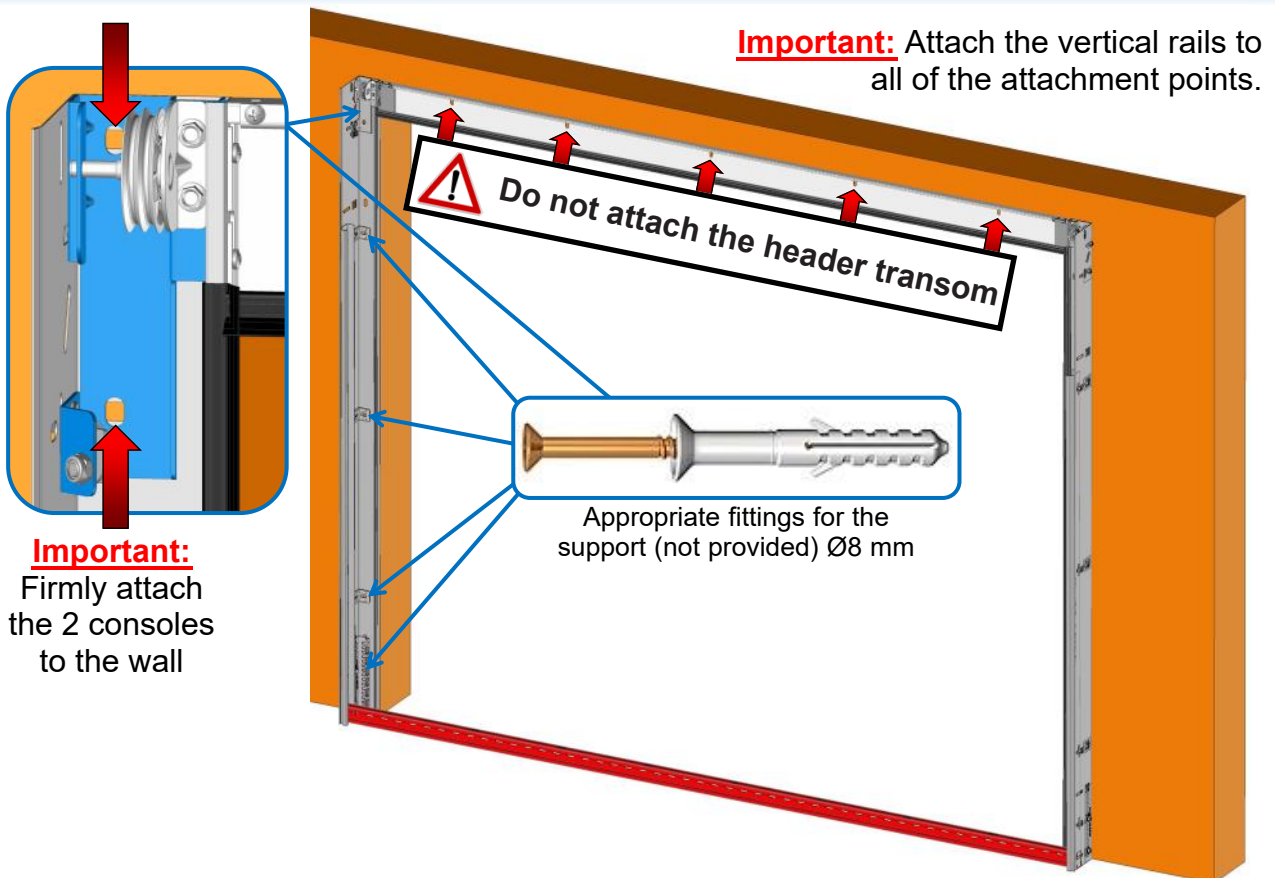


Repeat the process with
the other vertical rail

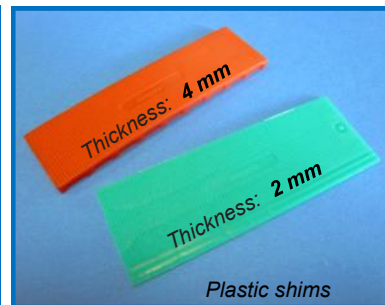
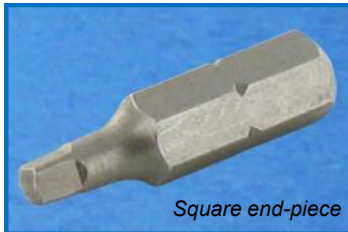
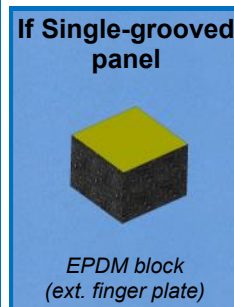
Insert the frame



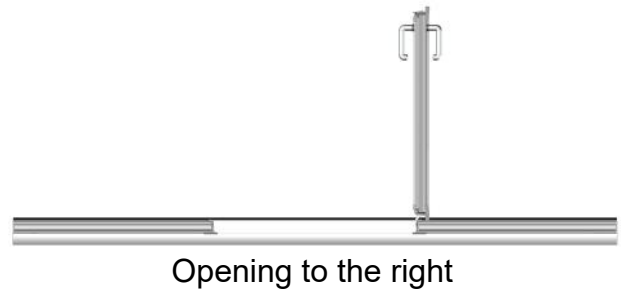
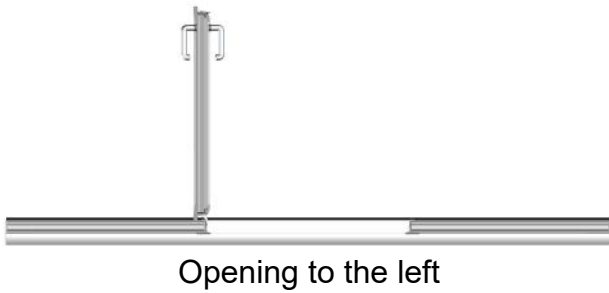
Attach the vertical rails



Content of wicket door packs



Identify the opening direction



Internal side view

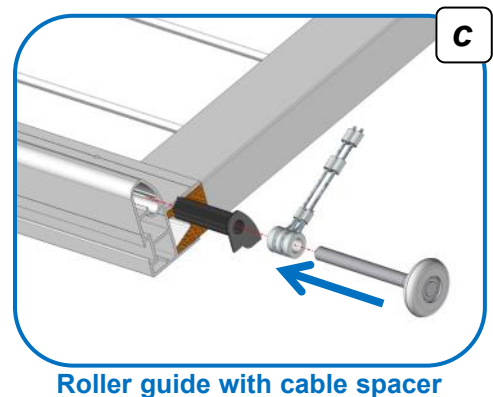
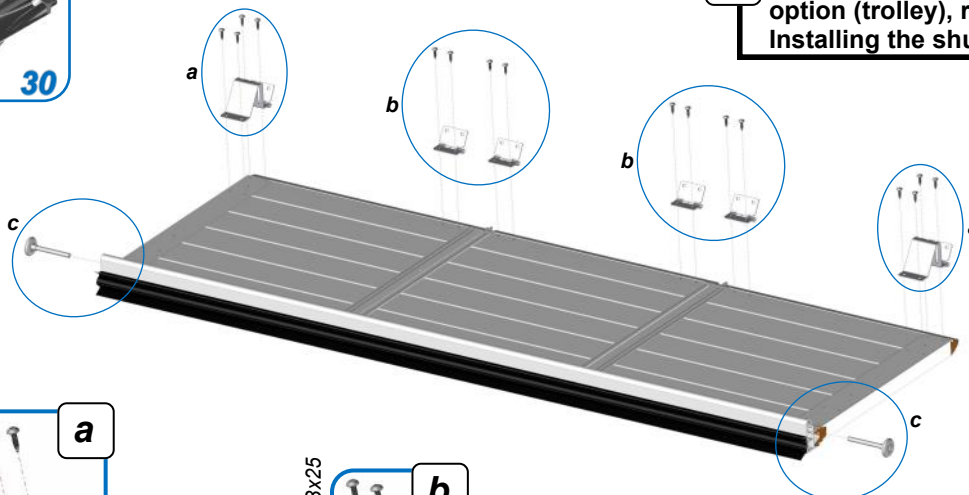
Prepare the panels

Example: Internal view of assembly for opening the wicket door to the right.

Bottom panel



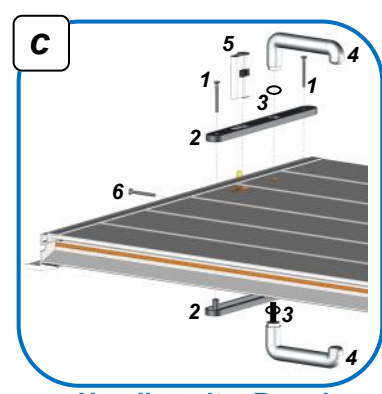
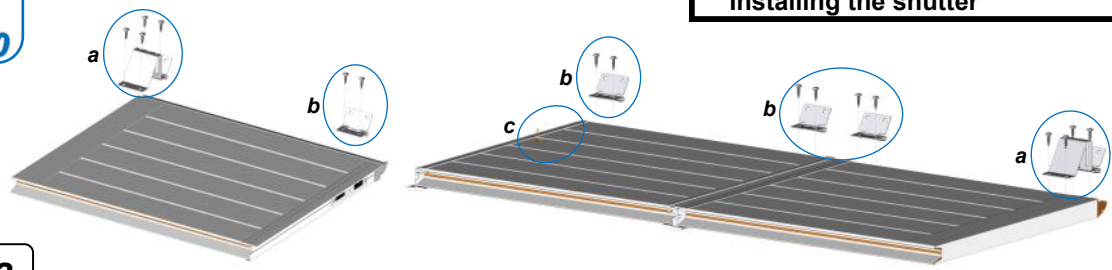
a **Please note:** If using tandem option (trolley), refer to chap.: Installing the shutter



Intermediate panels 1 and 2



a **Please note:** If using tandem option (trolley), refer to chap.: Installing the shutter

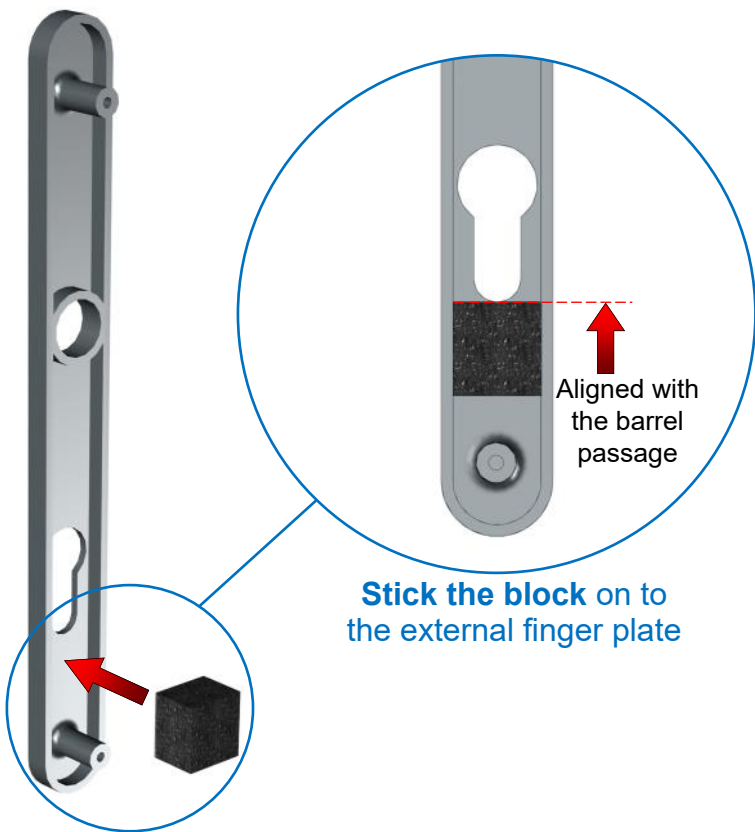


- 1 = Flat TF screws M4x50 (x2)
- 2 = Finger plate x 2
- 3 = Shimming washer x 2
- 4 = * Handle x 2
- 5 = Locking barrel
- 6 = Screws M5x75 (barrel)

* The white handle must always be on the inside.

Handle unit + Barrel
(only on inter. panel 1)

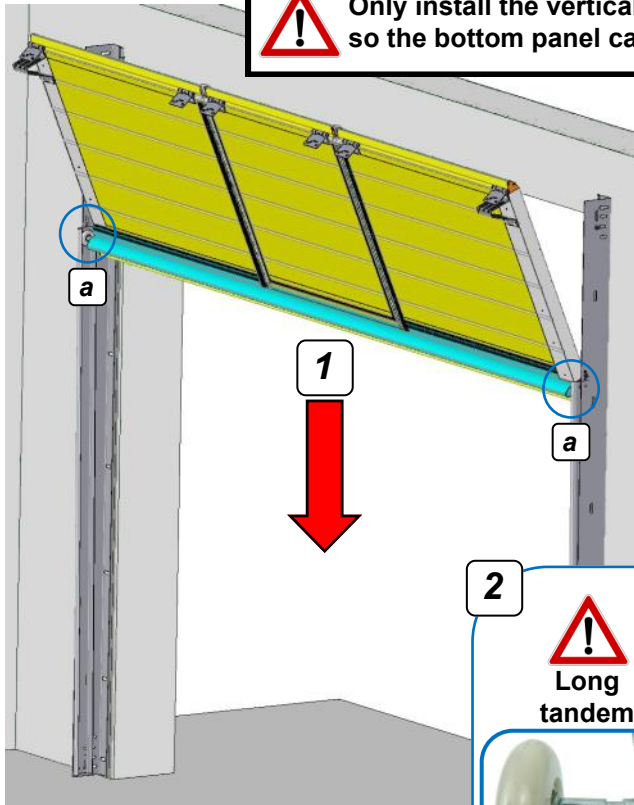
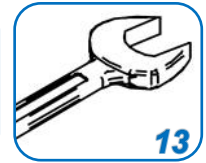
Specific case: Single-grooved Panel



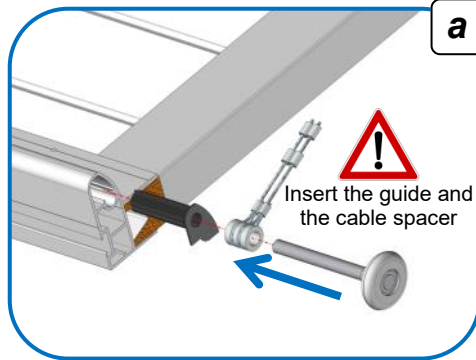
Assemble the shutter

Installing the bottom panel

! Only install the vertical rails, so the bottom panel can pass through



Reminder



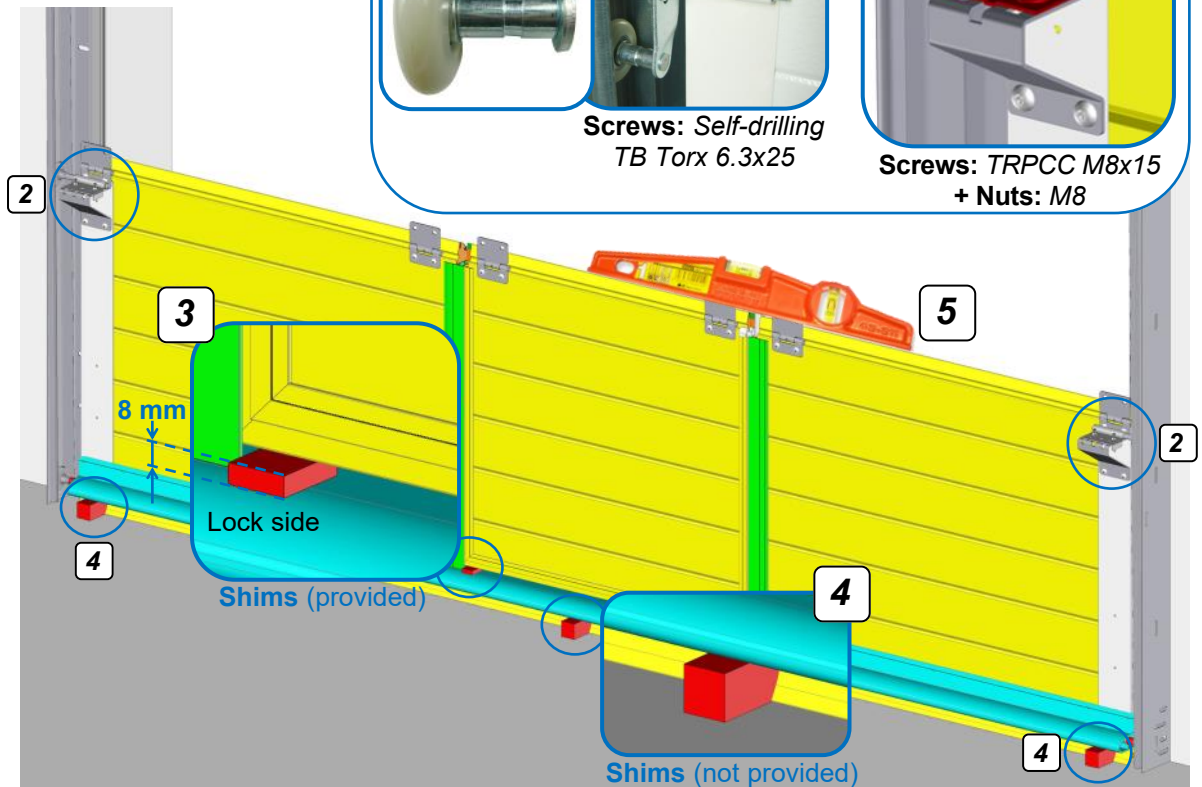
2

! Long tandem

as an option or as standard

Screws: Self-drilling TB Torx 6.3x25

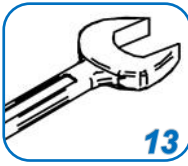
Screws: TRPCC M8x15 + Nuts: M8



4

5 **!** To install the bottom panel at the correct level, place the shims high enough under the threshold to avoid flattening the bottom joint when assembling the other panels.

Installation of intermediate panel 1



2



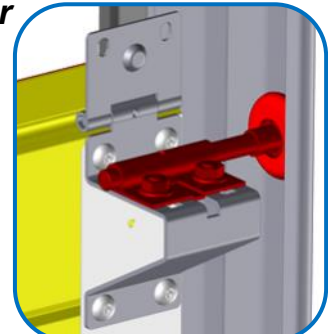
as an option

or

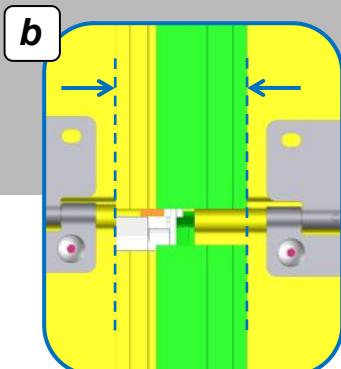
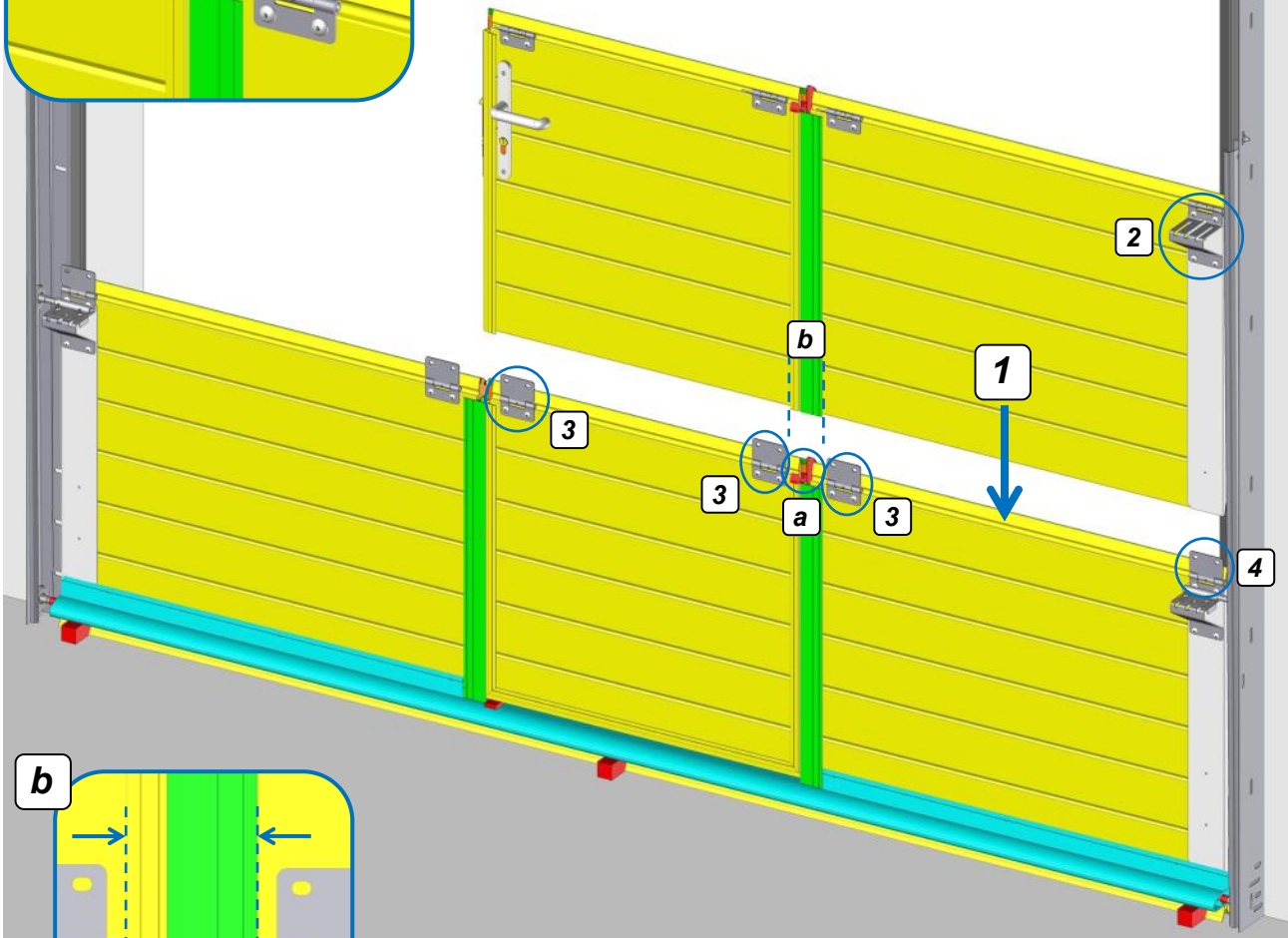
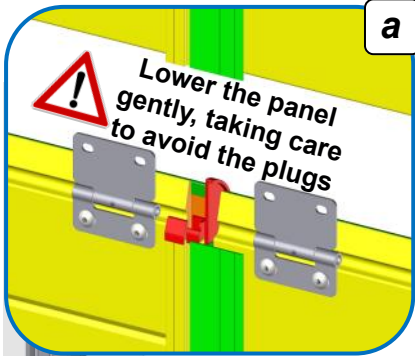
as standard



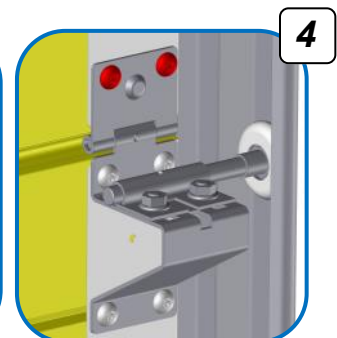
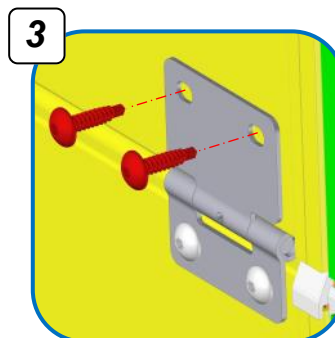
Screws: Self-drilling TB Torx 6.3x25



Screws: TRPCC M8x15 + Nuts: M8



Align the profiles



Screws: Self-drilling TB Torx 6.3x25

2

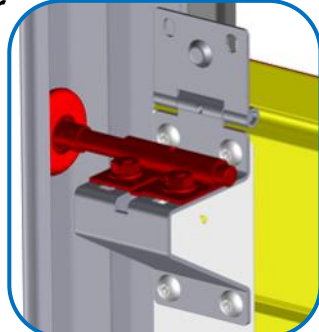


as an option

or
as standard



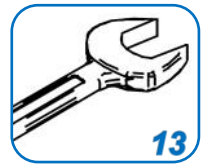
Screws: Self-drilling
TB Torx 6.3x25



Screws: TRPCC M8x15
+ Nuts: M8

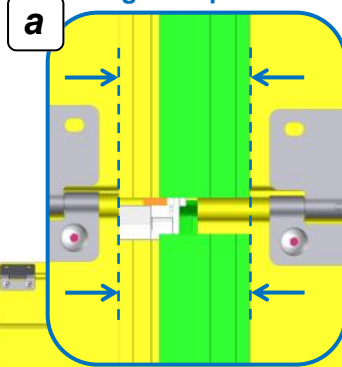


30



13

Align the profiles



2

1



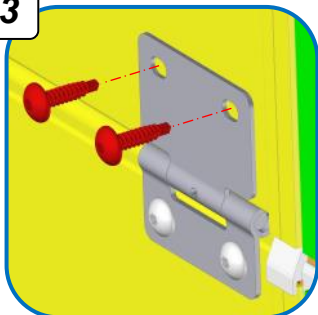
3



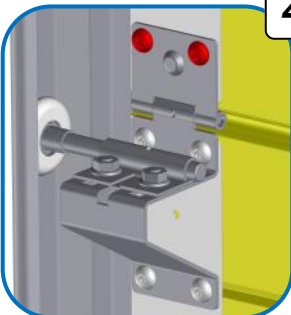
4



3



4

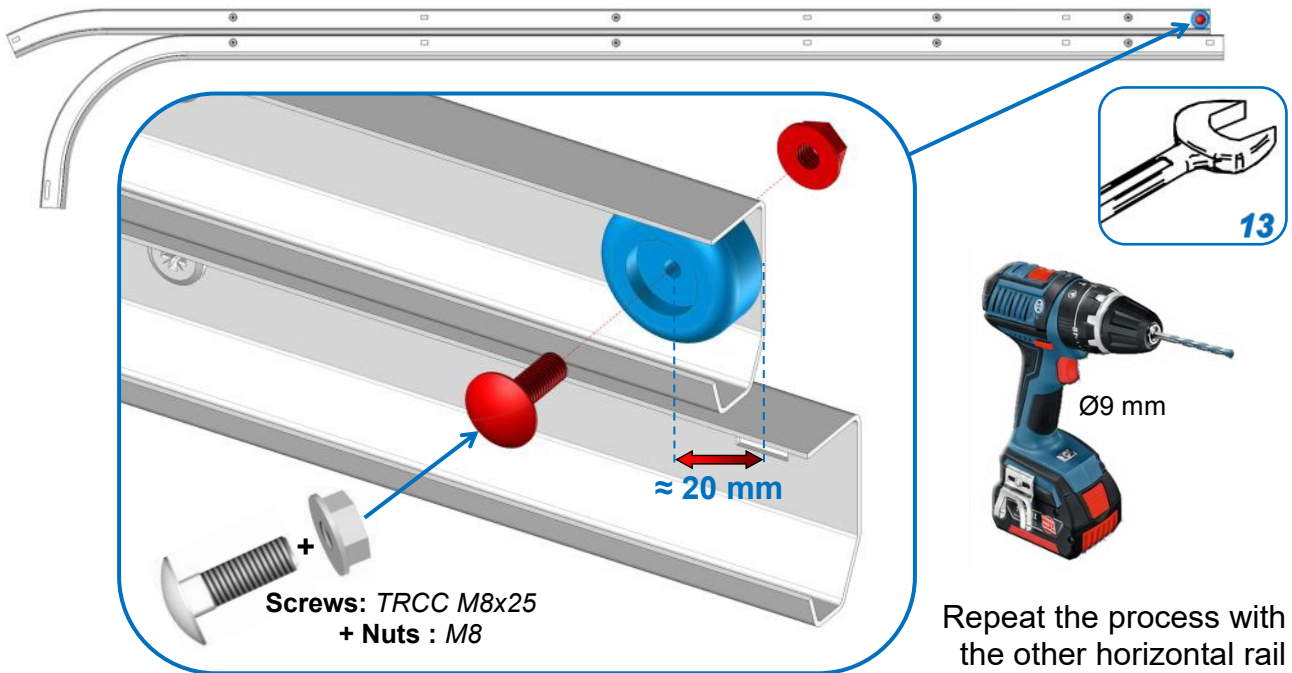


Screws: Self-drilling TB Torx 6.3x25

Please note: If installing intermediate panel 2, follow the same procedure as for intermediate panel 1.

Install the horizontal rails

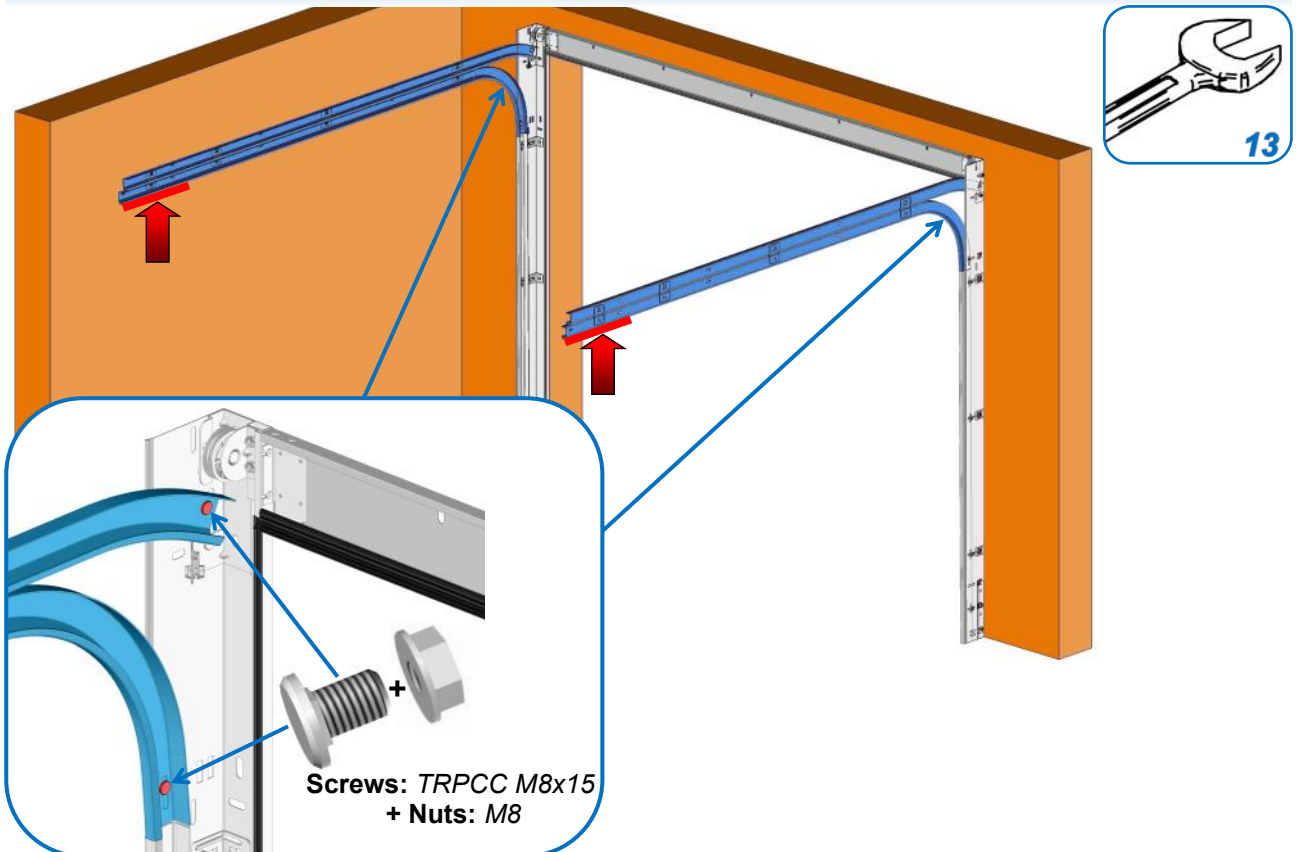
Install the stops: Motorized door



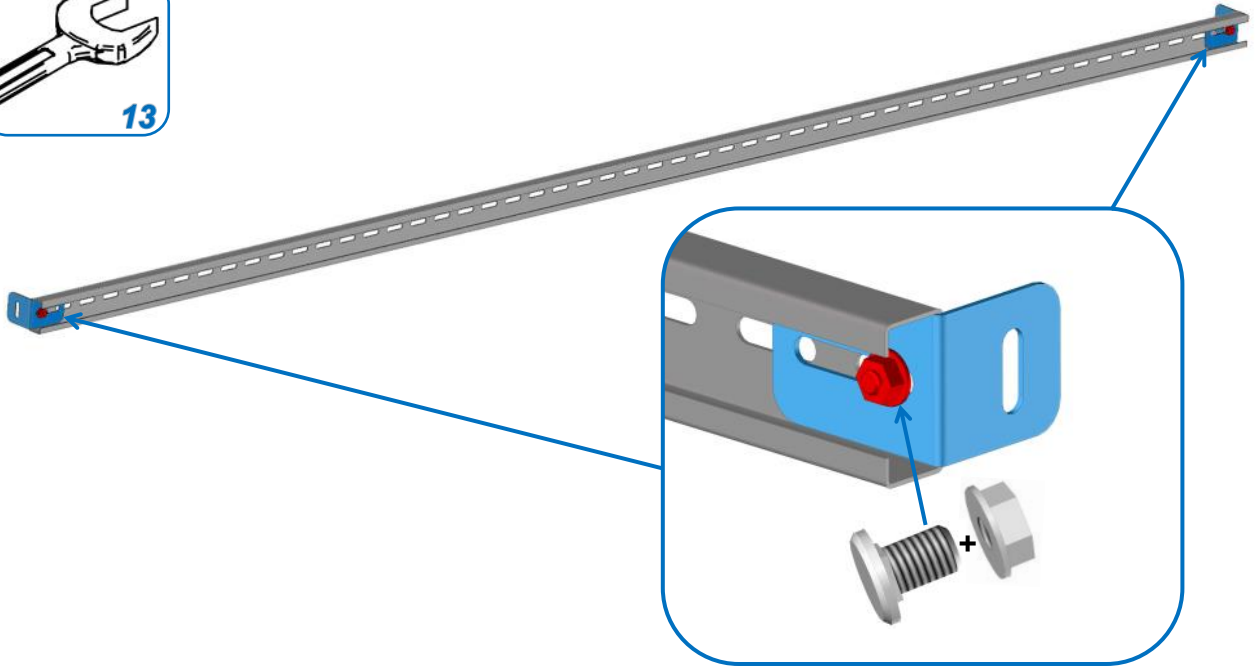
For option: Manual door with lock

With the door open, the lock button must not touch the ceiling.
Attach the stops in turn to the horizontal rails.

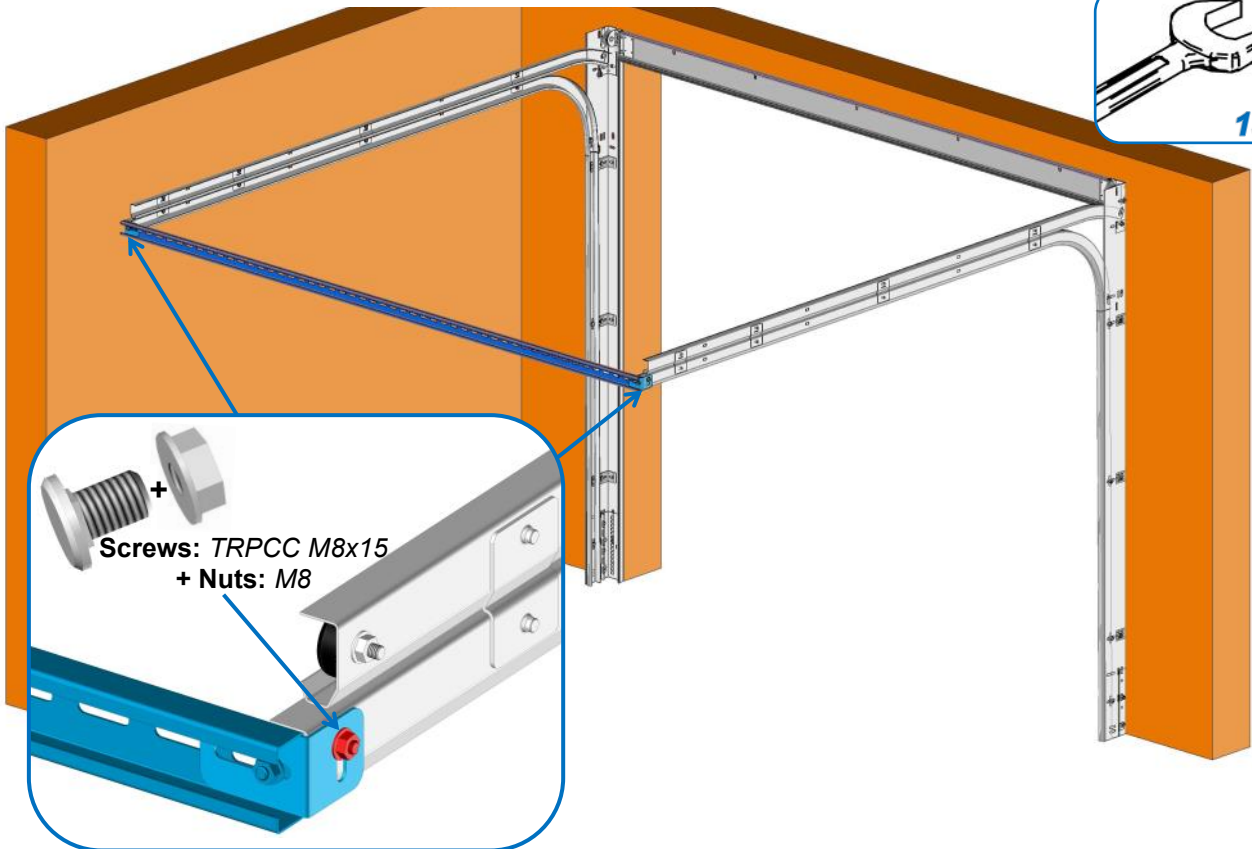
Attach the horizontal rails



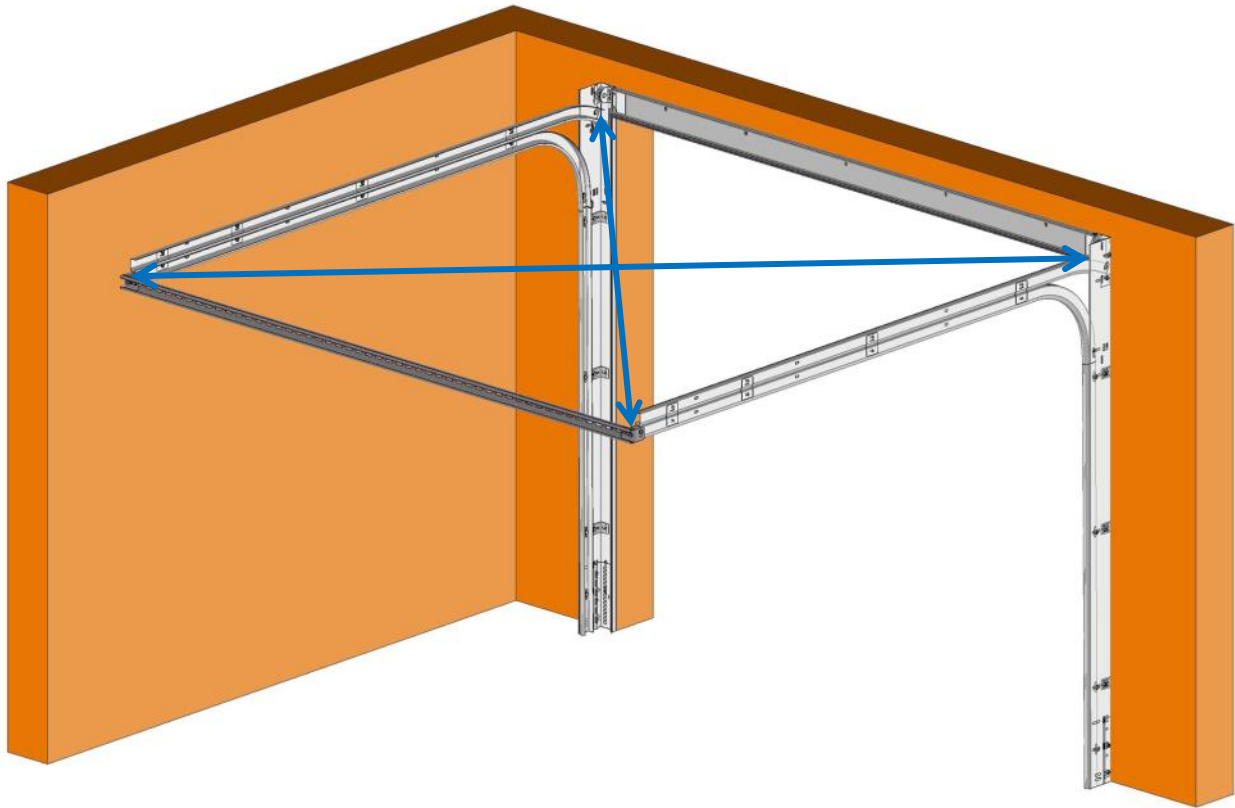
Fit the brackets on to the rod



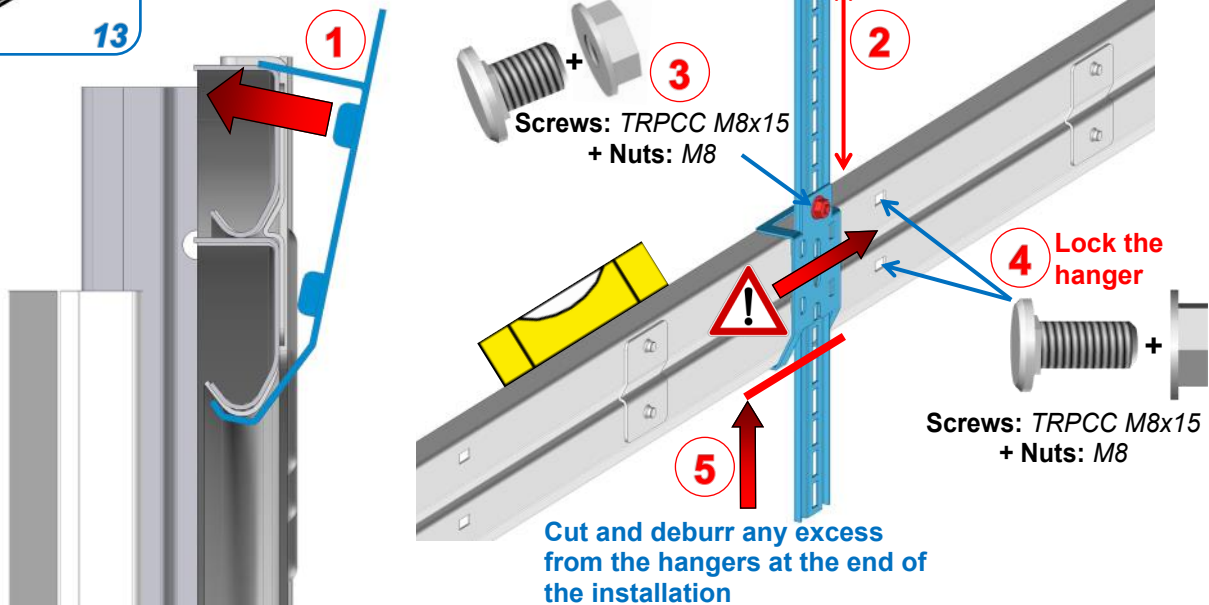
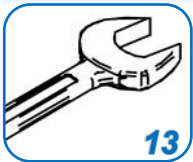
Install the rod



Check the diagonals



Attach the hangers to the ceiling



The number of hangers depends on the dimensions of the doors:

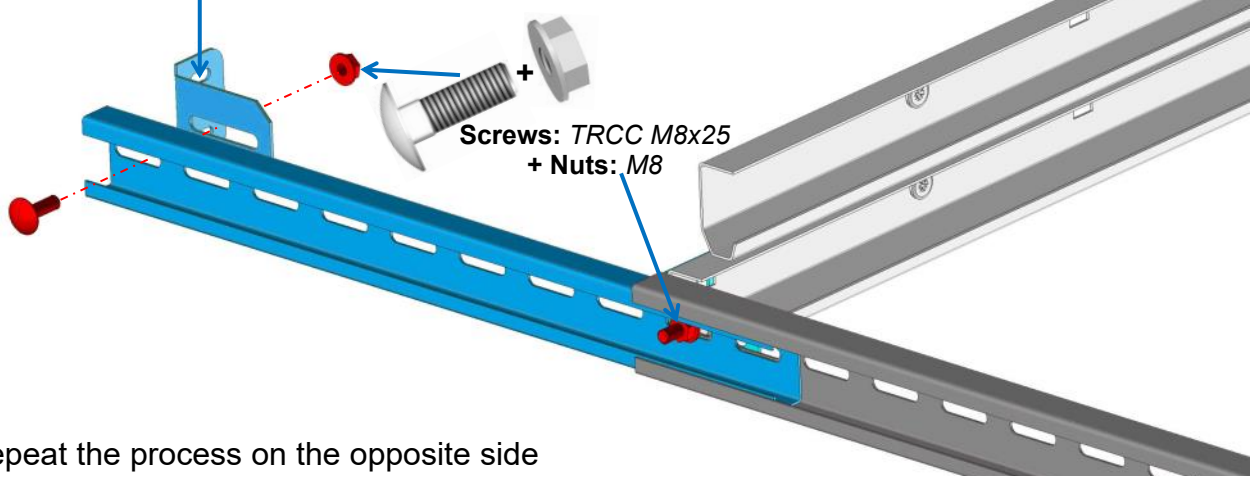
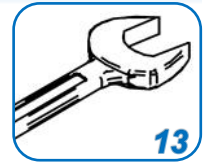
- 2 hangers for a door of 3,000 x 2,150 mm max.
- 4 hangers above these dimensions.

Repeat the process for all of the hangers

OPTION: Rod extension

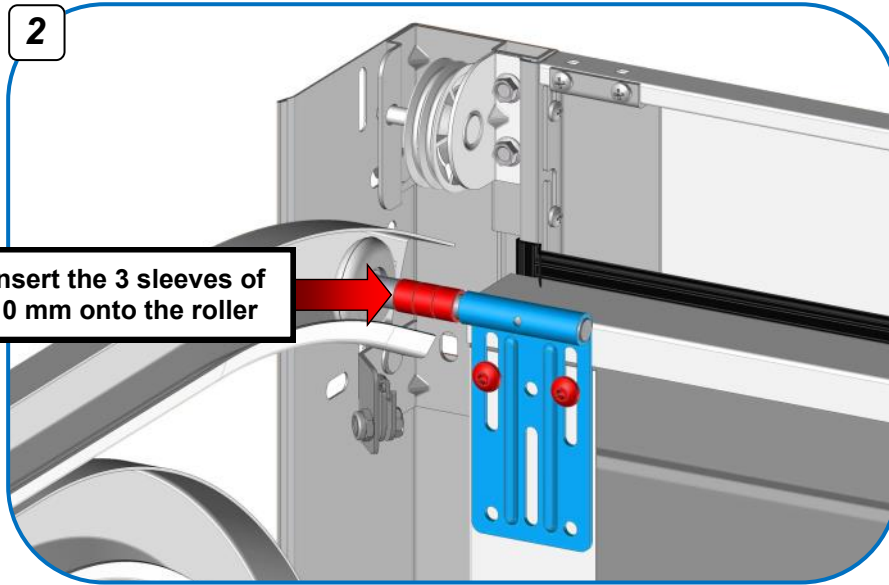
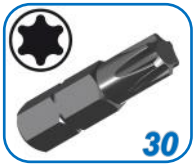


Appropriate fittings for the support (not provided) Ø8 mm



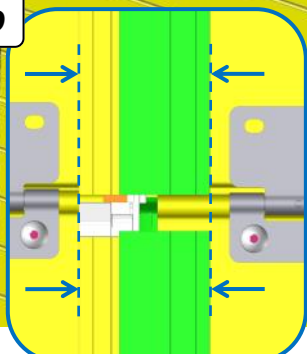
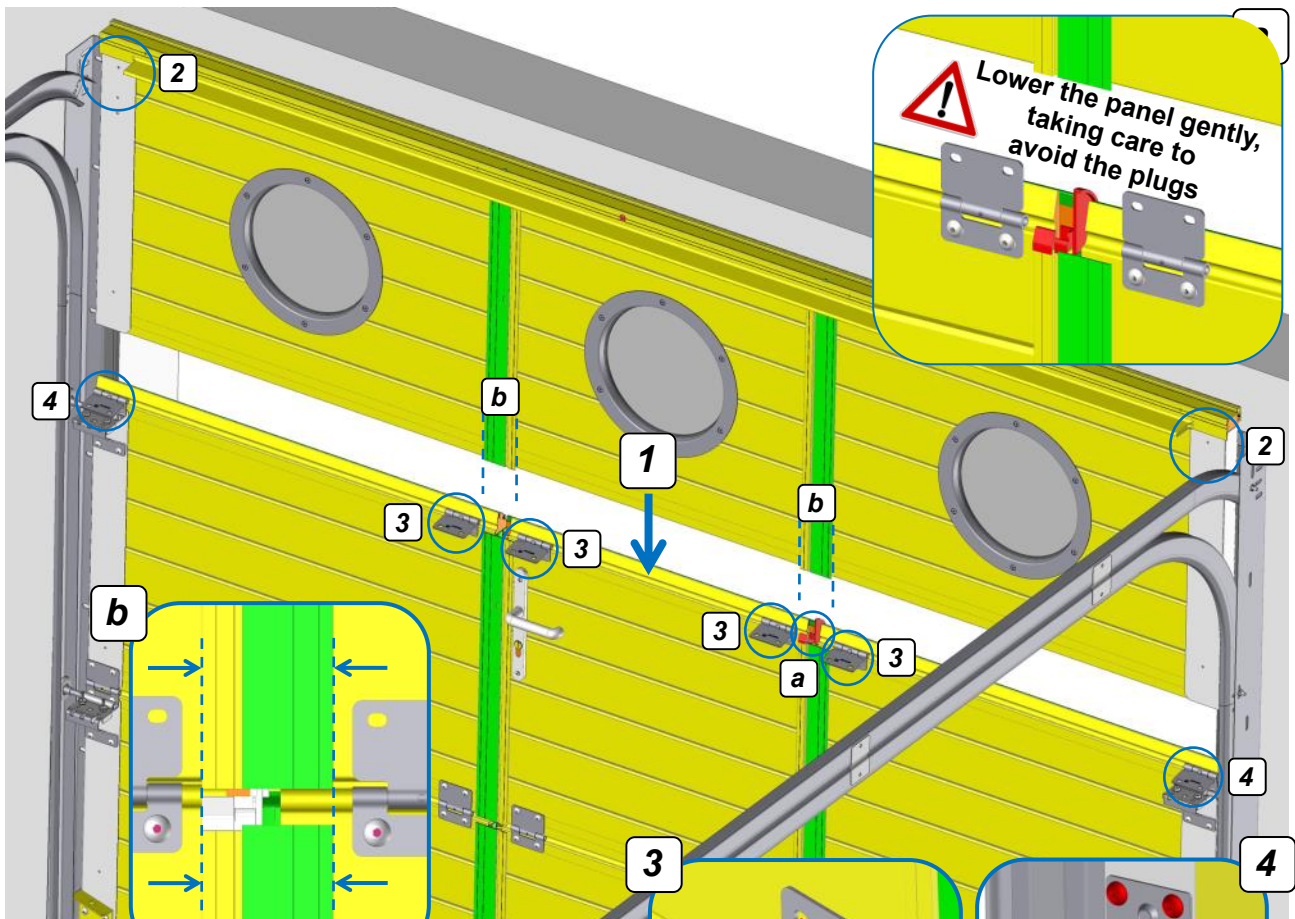
Repeat the process on the opposite side

Install the top panel



! Insert the 3 sleeves of 10 mm onto the roller

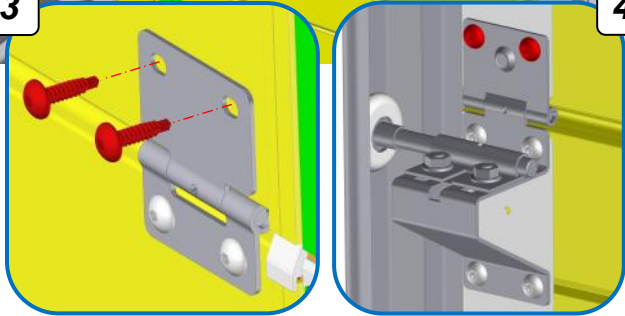
Screws: Self-drilling TB Torx 6.3x25



Align the profiles

Adjust the rollers on the lateral hinges so that the shutter is perfectly vertical.

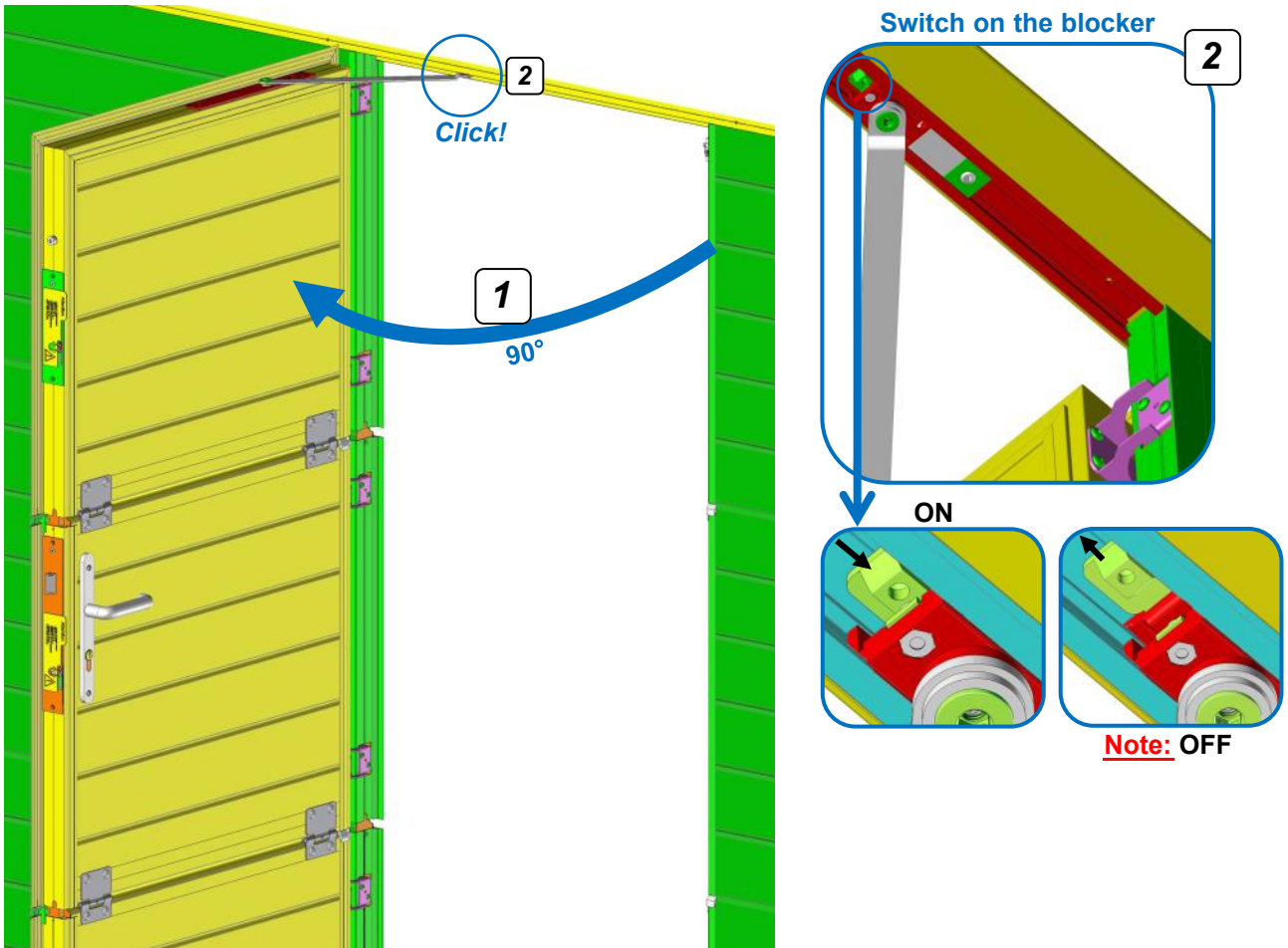
! Do not flatten the external lateral seals of the shutter.



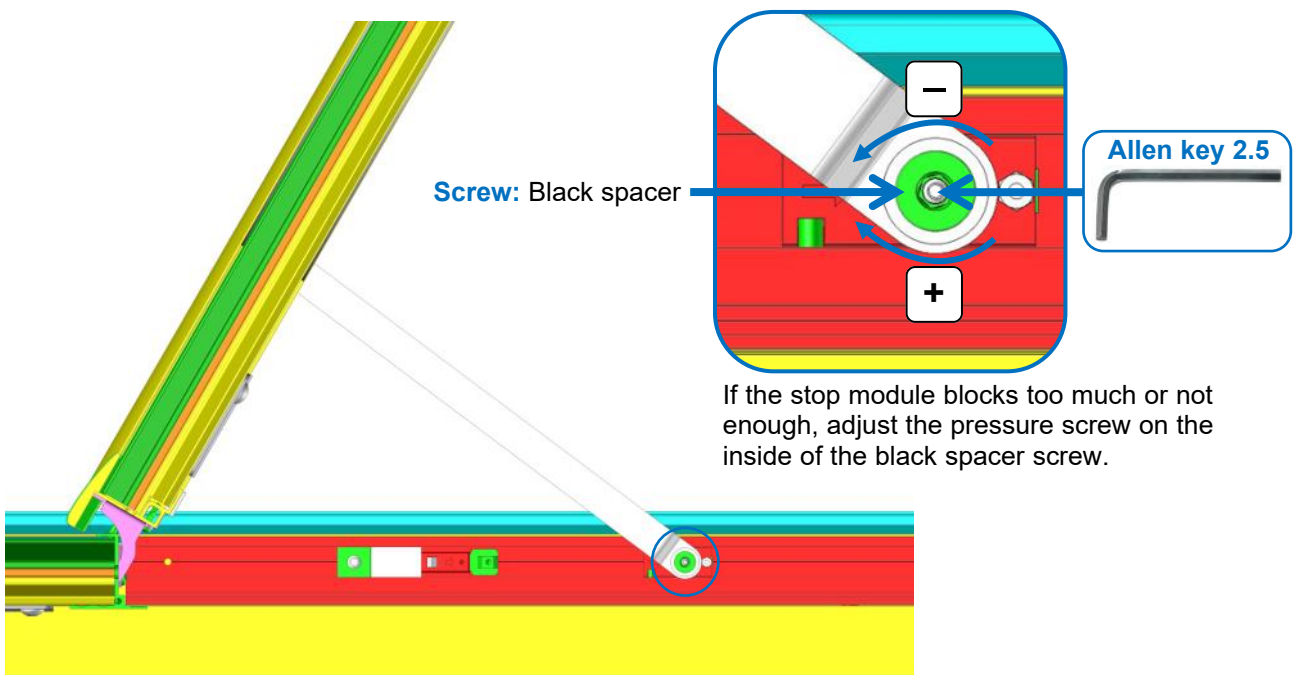
Screws: Self-drilling TB Torx 6.3x25

Set the stop module

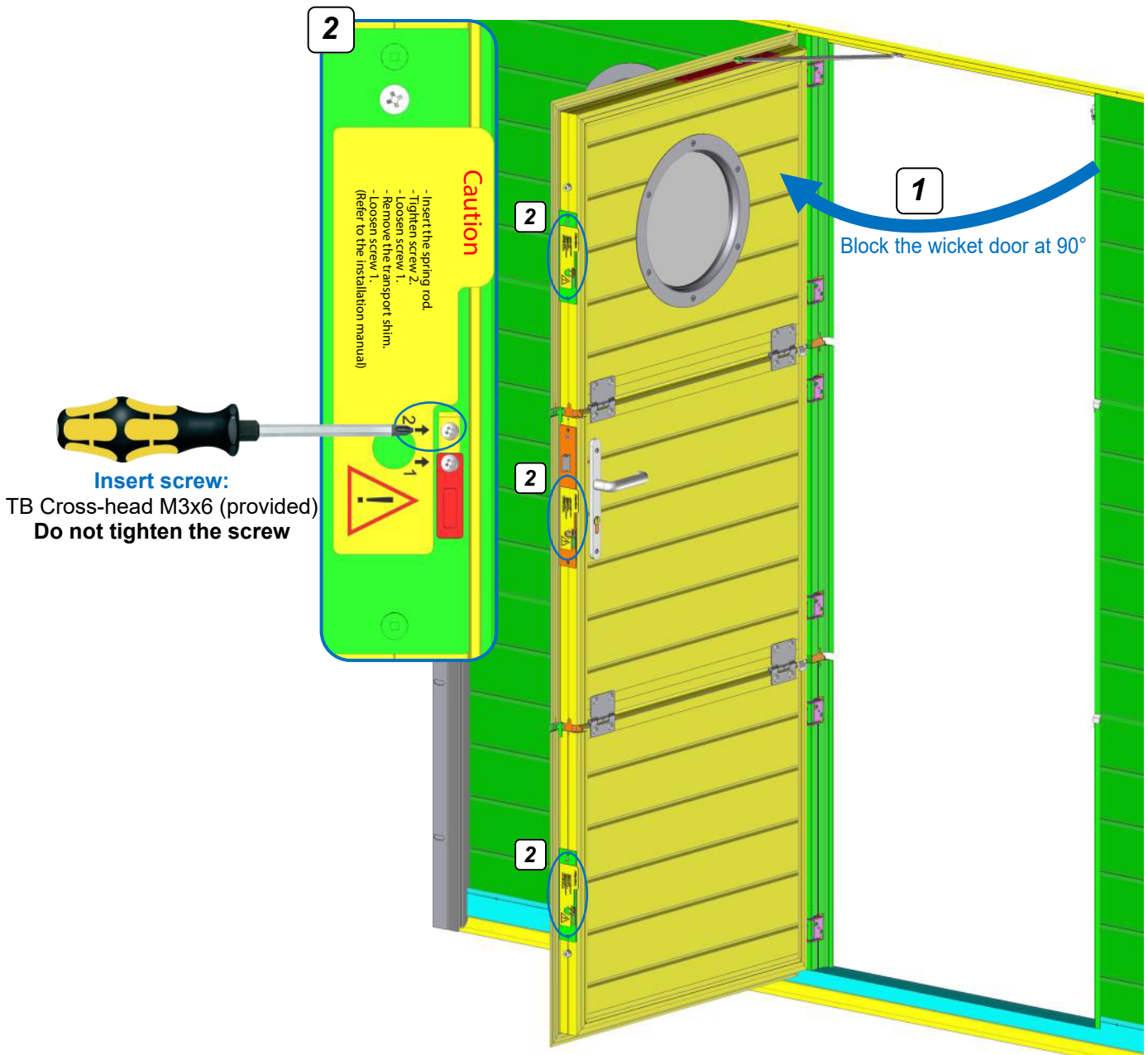
Remove the shims (provided) from below the wicket door.

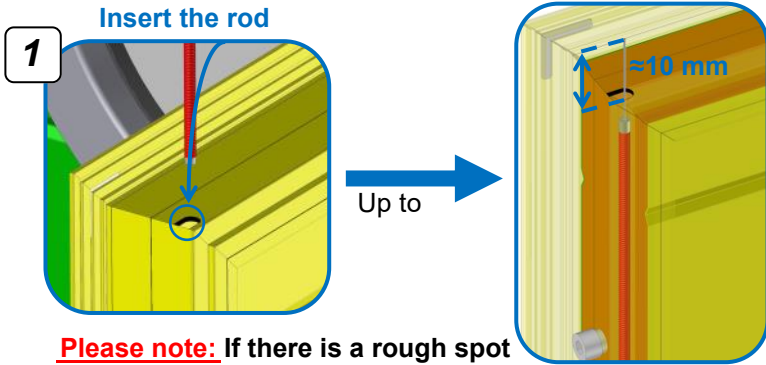


Test the stop module: (blocking of wicket door at 90°)

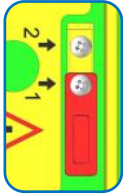


Install the rod

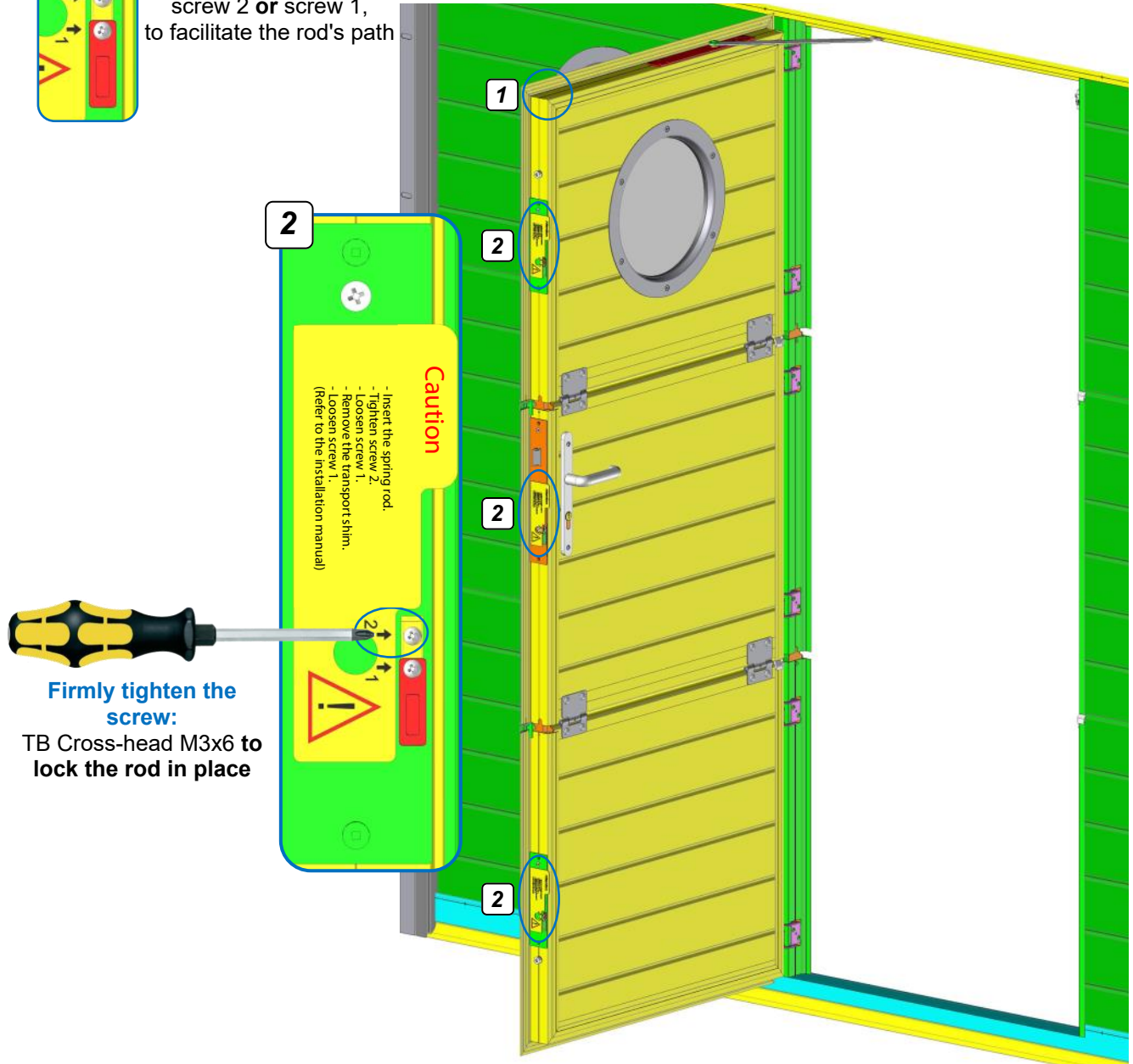


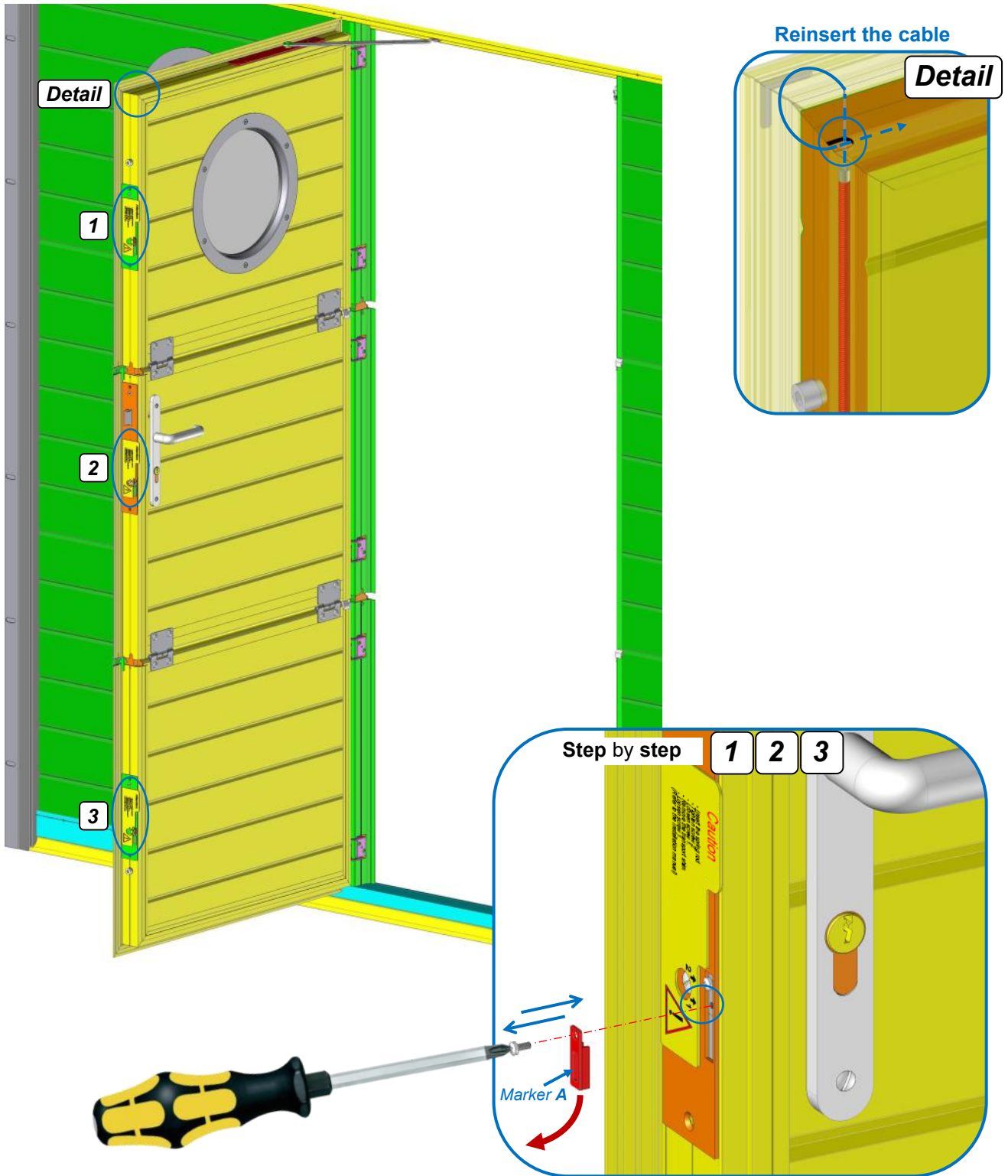


Please note: If there is a rough spot



Slightly unscrew:
screw 2 or screw 1,
to facilitate the rod's path





Reinsert the cable

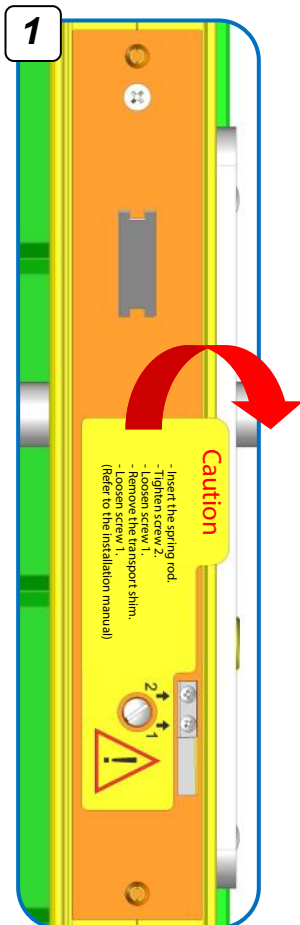
Detail

Step by step

1 2 3

Remove the screw:
 (1) TB Cross-head M3x6 with the transport shim (marker A) then **fully tighten** the screw (1)

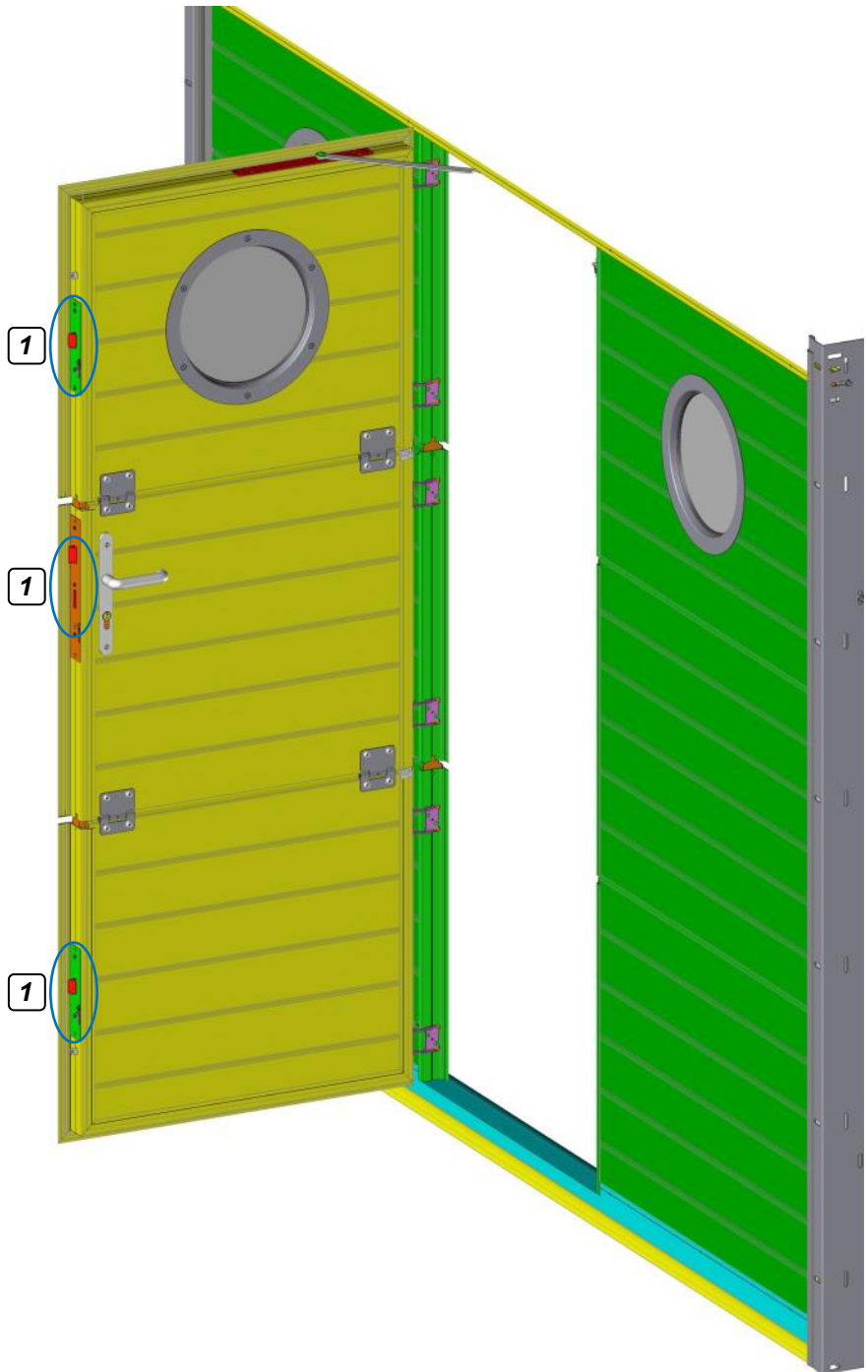
Activate the lock



Remove the label:
The latch must come out at position 1



Latch in position 1



Do not close the wicket door, proceed to the following chapter to test whether it is operating correctly



Box operation test

Test 1

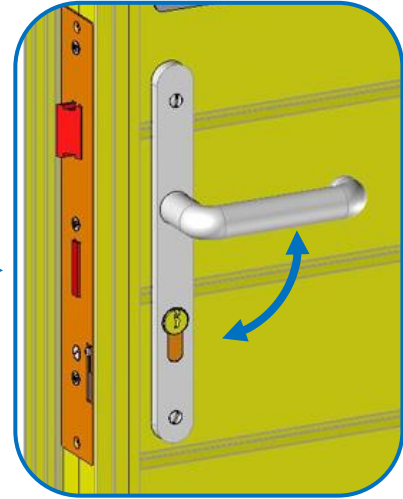
For all the boxes:
Press the release mechanism,
the latches must come out at **position 2**.



Position 1



Position 2



Move the handle

All the latches must go in and come out simultaneously and then return to position 1

Repeat the test 2 to 3 times

Test 2

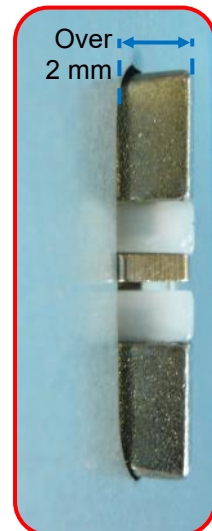


Move the handle and hold it down



The latches should only come out as far as 2 mm or less

Non-compliant



If a latch comes out further than 2 mm, follow the recommendation in Test 2.

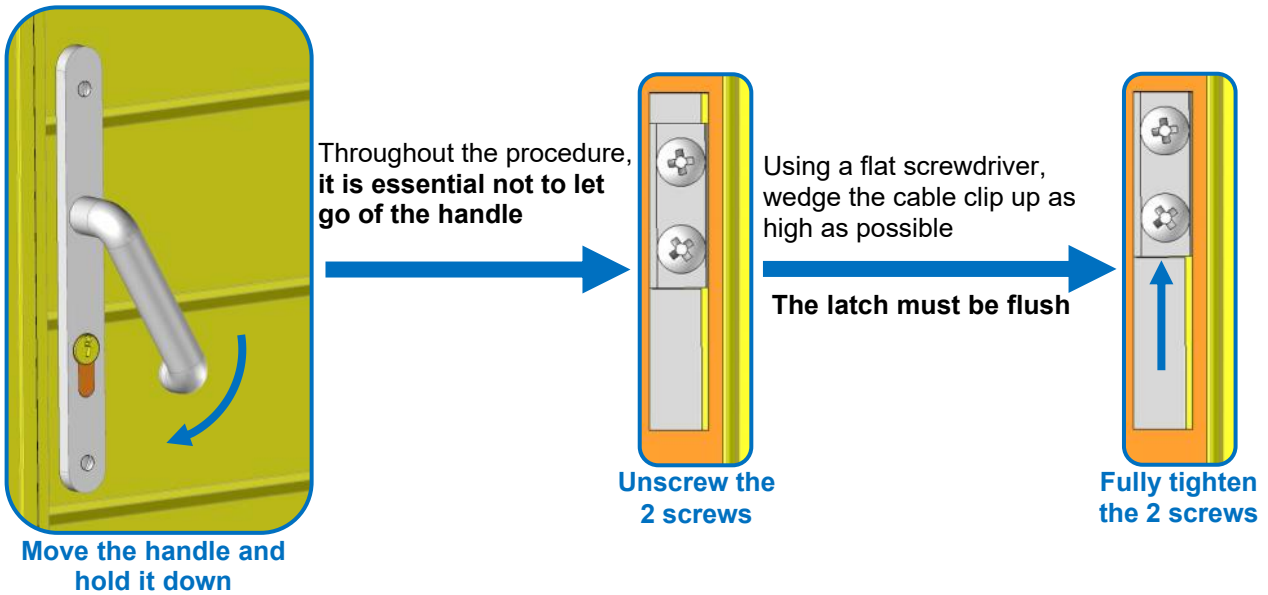


If not all of the latches are functioning correctly, do not shut the wicket door, call Customer Services.
If you shut the wicket door, it will be impossible to open it again.



Tip: Test 2

If one or all of the latches comes out further than 2 mm, follow the procedure below:

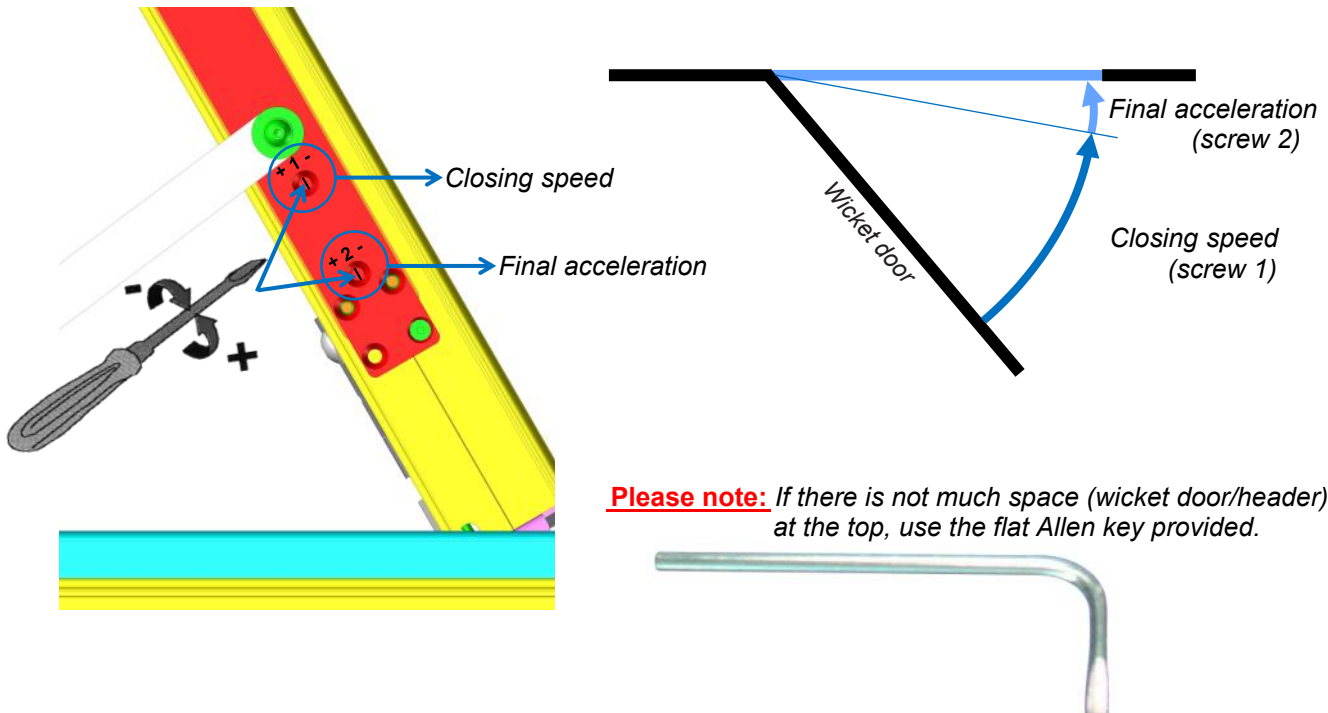


Check that when holding the handle down, the latches do not come out further than 2 mm, before closing the wicket door.

Please note: If the wicket door becomes stuck after closure, refer to the "SOLUTION" chapter on the following page.

Adjust the door closure

Adjust the settings if necessary:



During closing, the latches must be engaged.

Solution: If the lock is stuck



Depending on the specific case, it may be necessary to cut the spring rod between the panels.

Identify the blocked part inside:

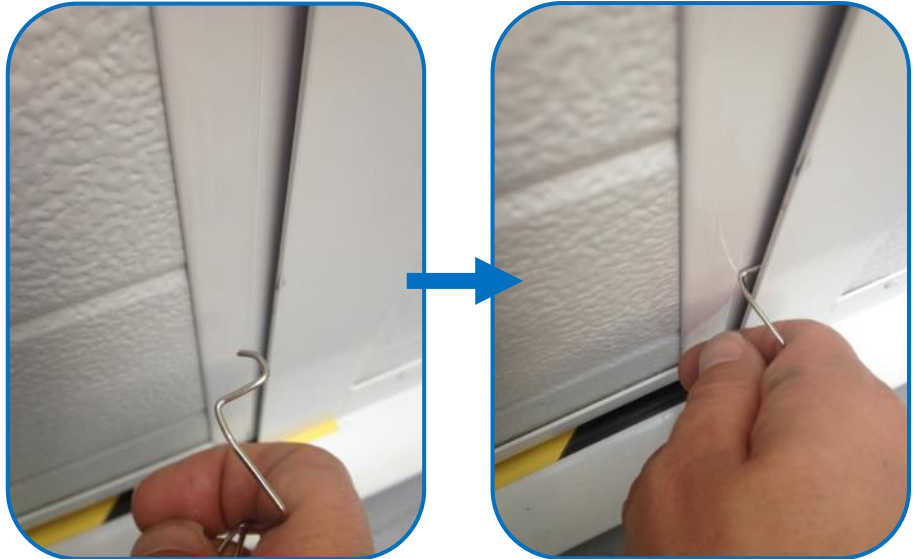
- Lower the handle and gently push the door onto each panel to identify the blocked area.

Make the hook



Actual size

Slide the hook into the opening of the wicket door (lock side)



Then, carry out the steps described below, in order to hook one of the locks, while holding the handle down.

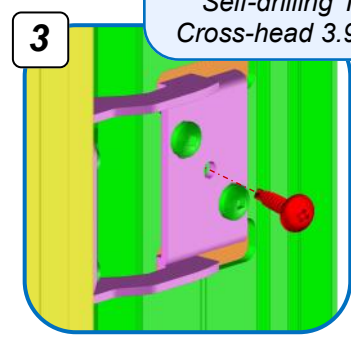
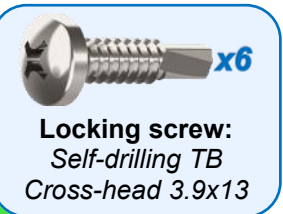
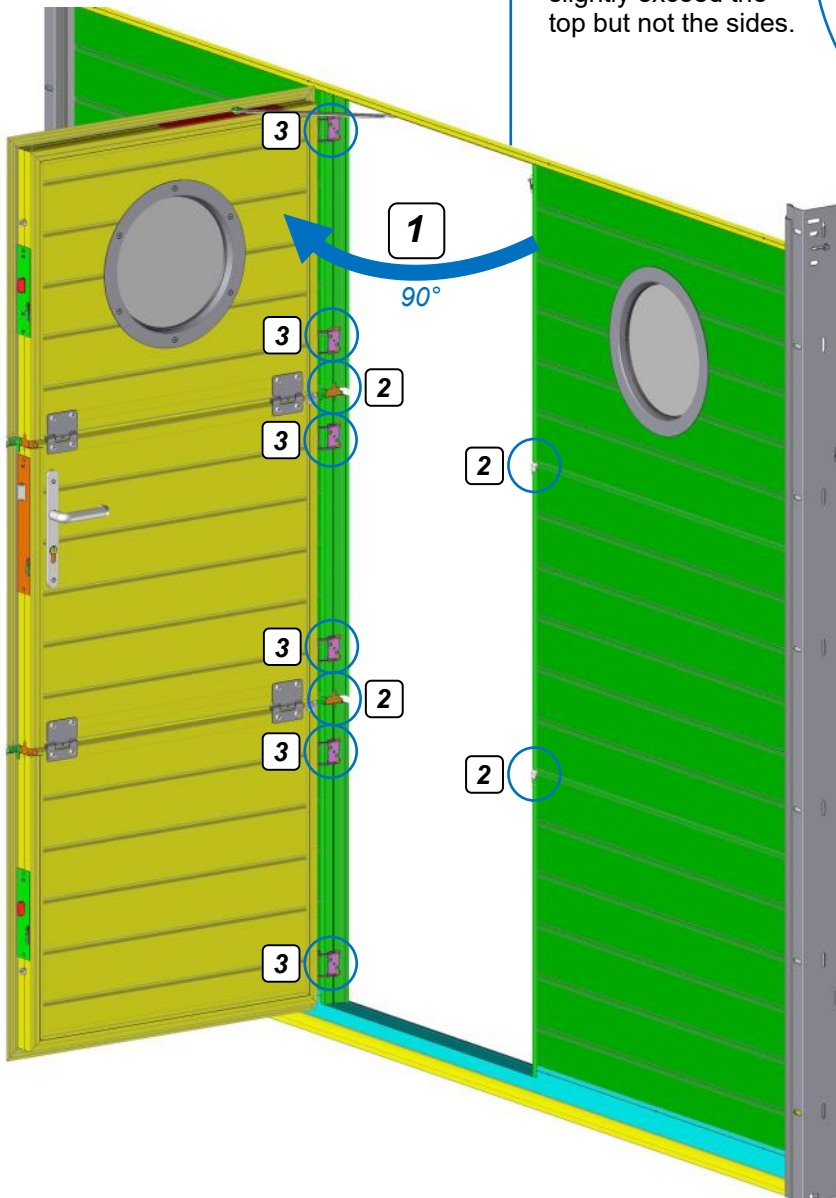
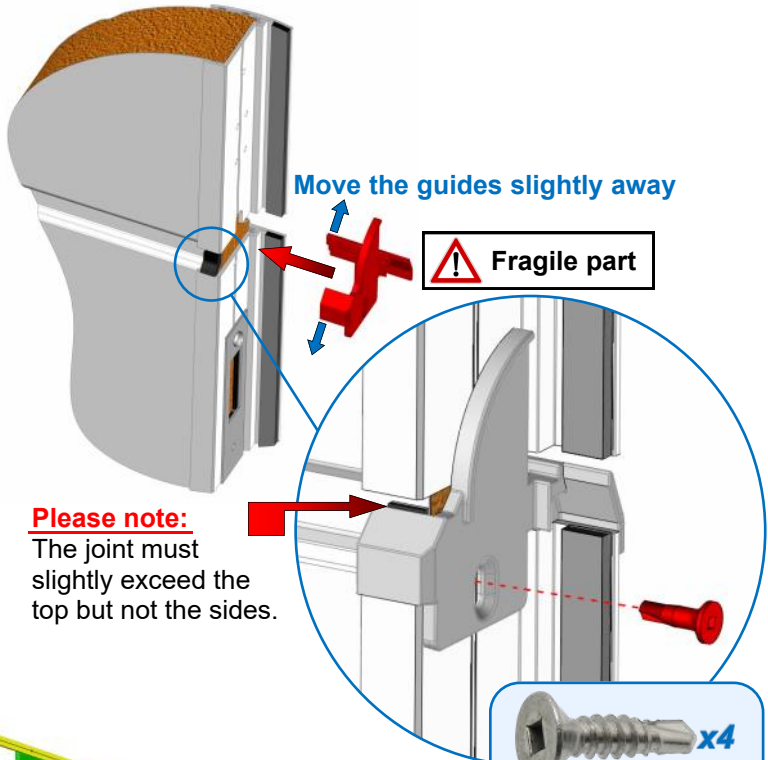
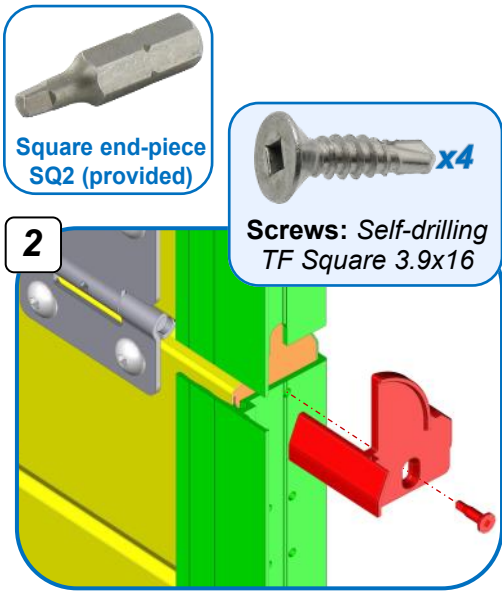


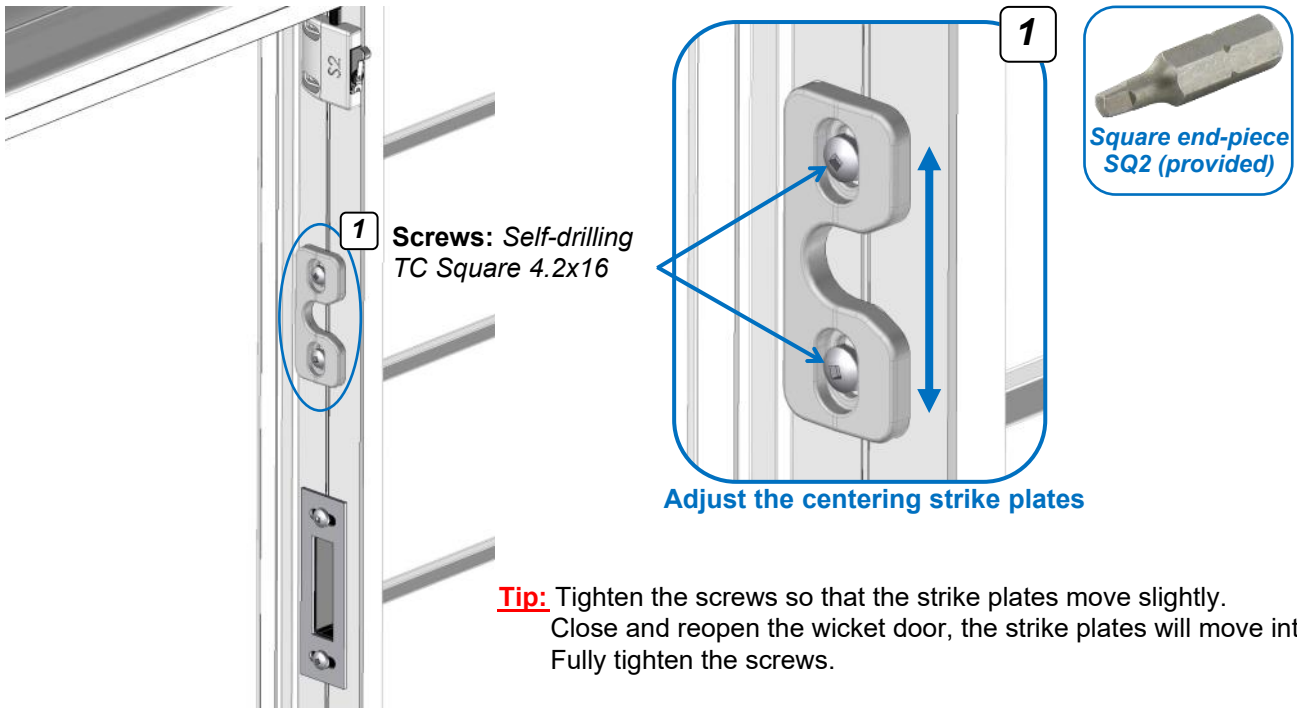
Once open, refer back to the chapter 'Box operation test' and set the latches correctly by following the steps of the test.

Wicket door finishes

2a

Specific case: Single-grooved Panel

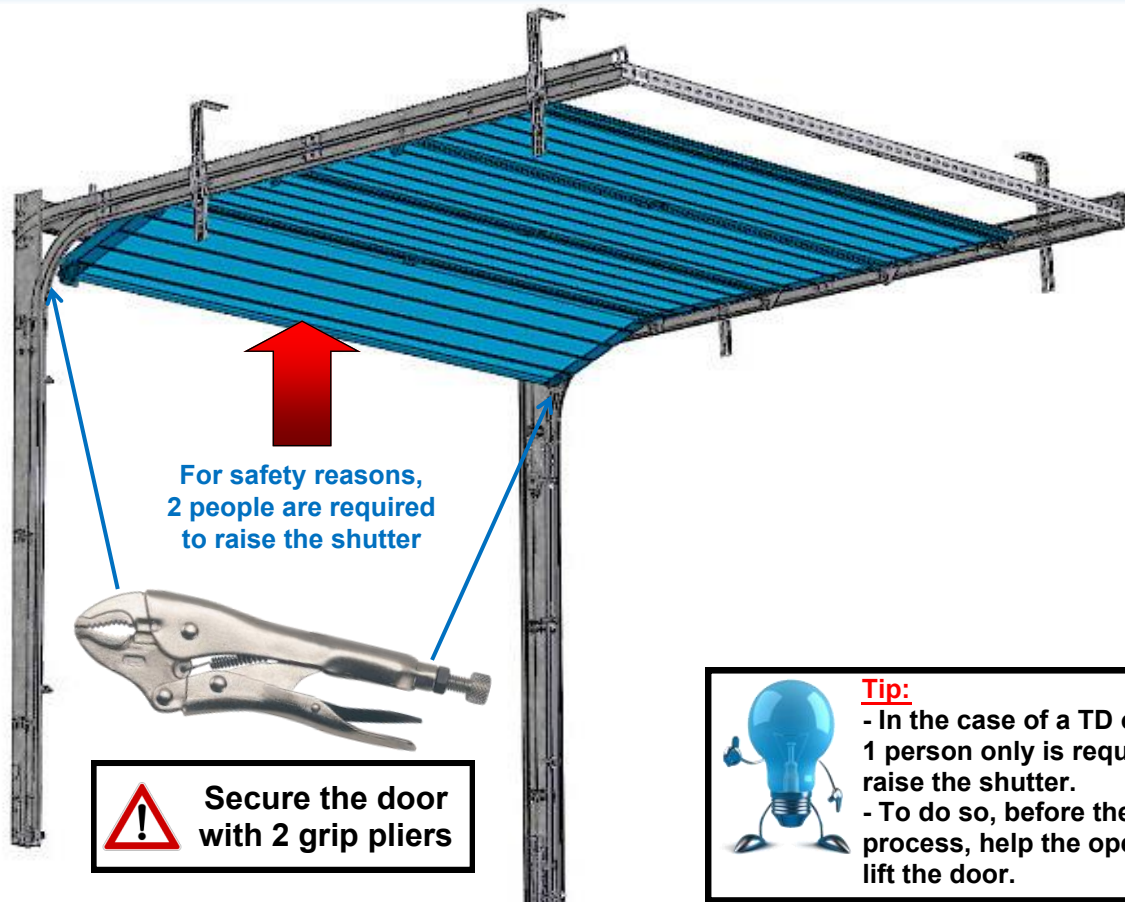




Once installation of the shutter is finished and the opening and closing of the wicket door has been tested, remove the shims under the threshold.

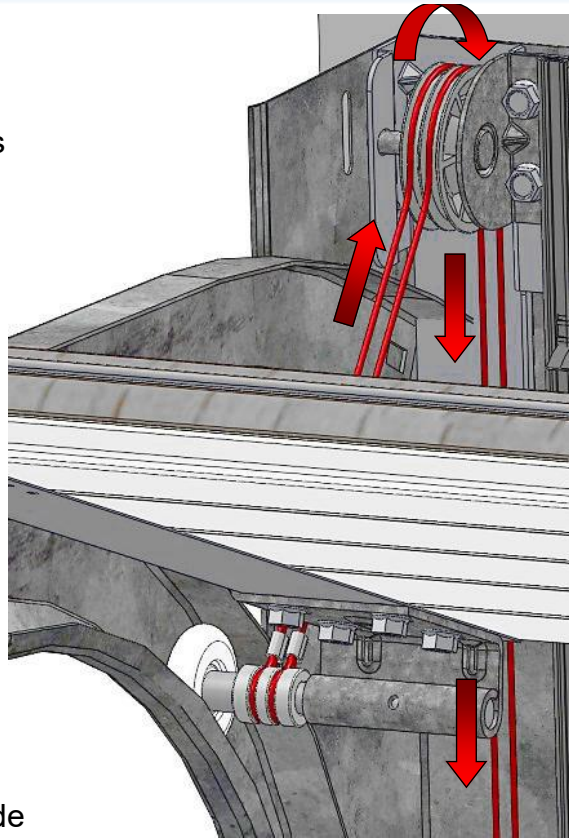
Install the cables/springs

Raise the shutter



Pass the cables behind the pulleys

Important: Ensure that the cables remain parallel.

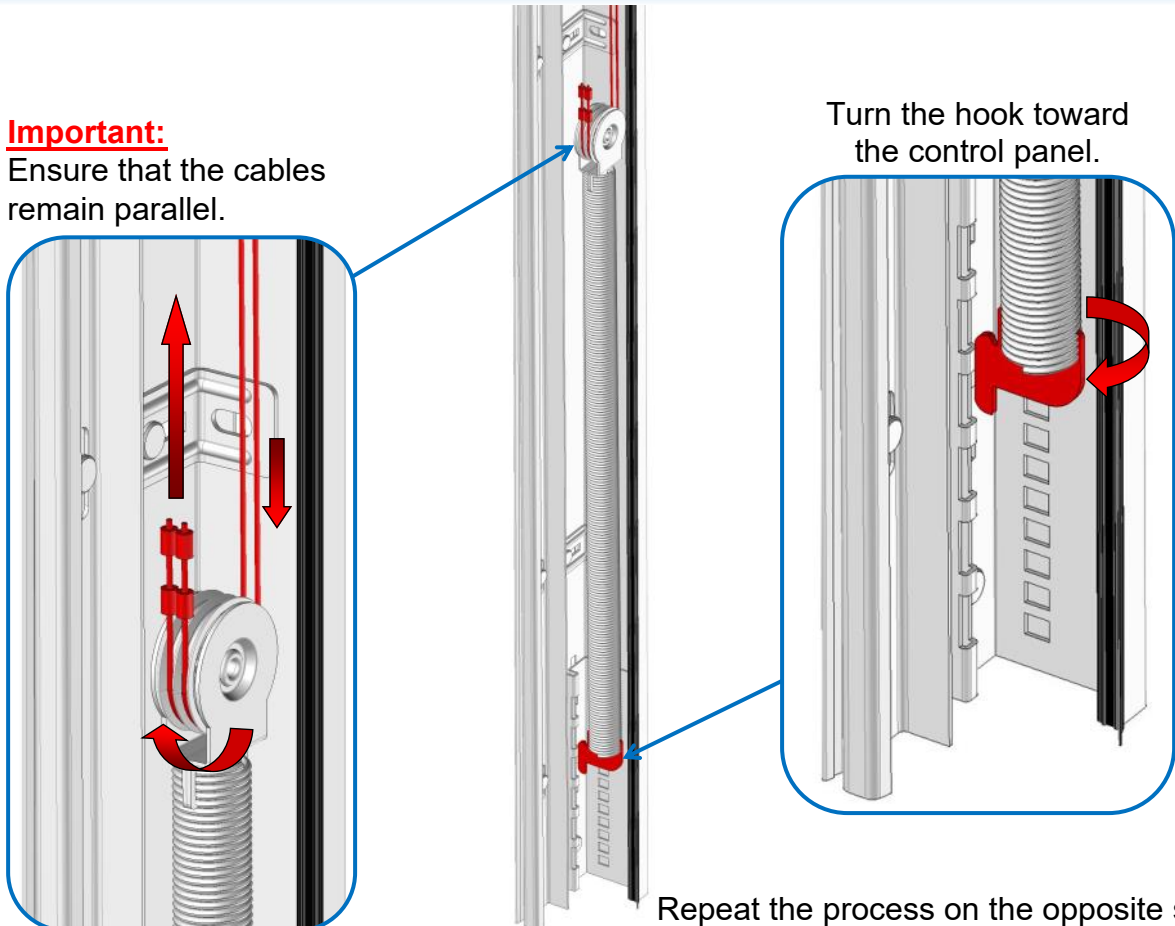


Repeat the process on the opposite side

Pass the cables through the springs

Important: Ensure that the cables remain parallel.

Turn the hook toward the control panel.

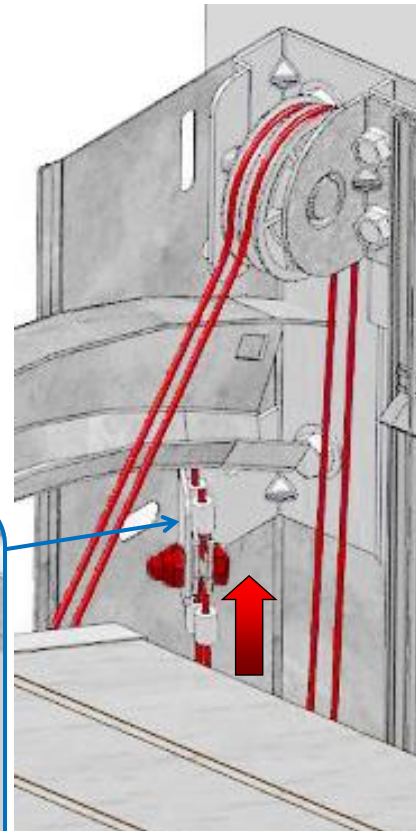


Repeat the process on the opposite side

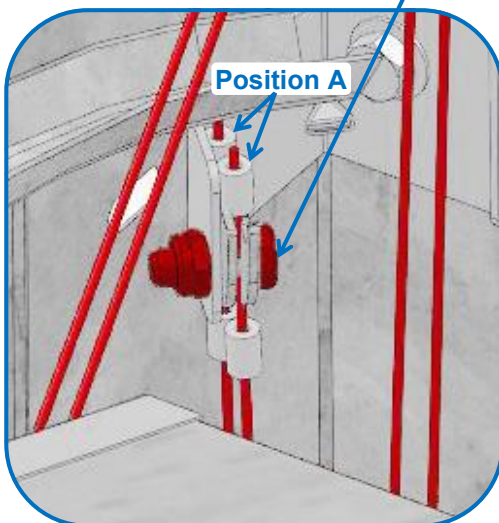
Cable attachment points on the plate

Passage height	Connector position
from 1,890 to 1,938 mm	B
from 1,939 to 2,000 mm	A
from 2,001 to 2,063 mm	B
from 2,064 to 2,125 mm	A
from 2,126 to 2,188 mm	B
from 2,189 to 2,250 mm	A
from 2,251 to 2,313 mm	B
from 2,314 to 2,375 mm	A
from 2,376 to 2,438 mm	B
from 2,439 to 2,500 mm	A

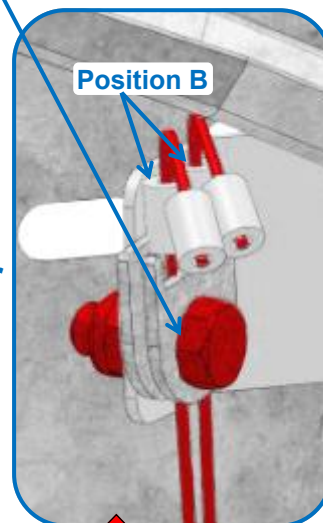
 **The cables must not cross over.**




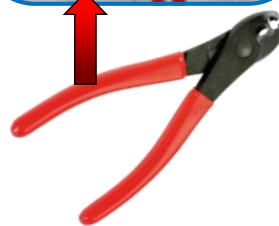
Important: Slightly tighten the bolt, the plate must be able to pivot freely.



or

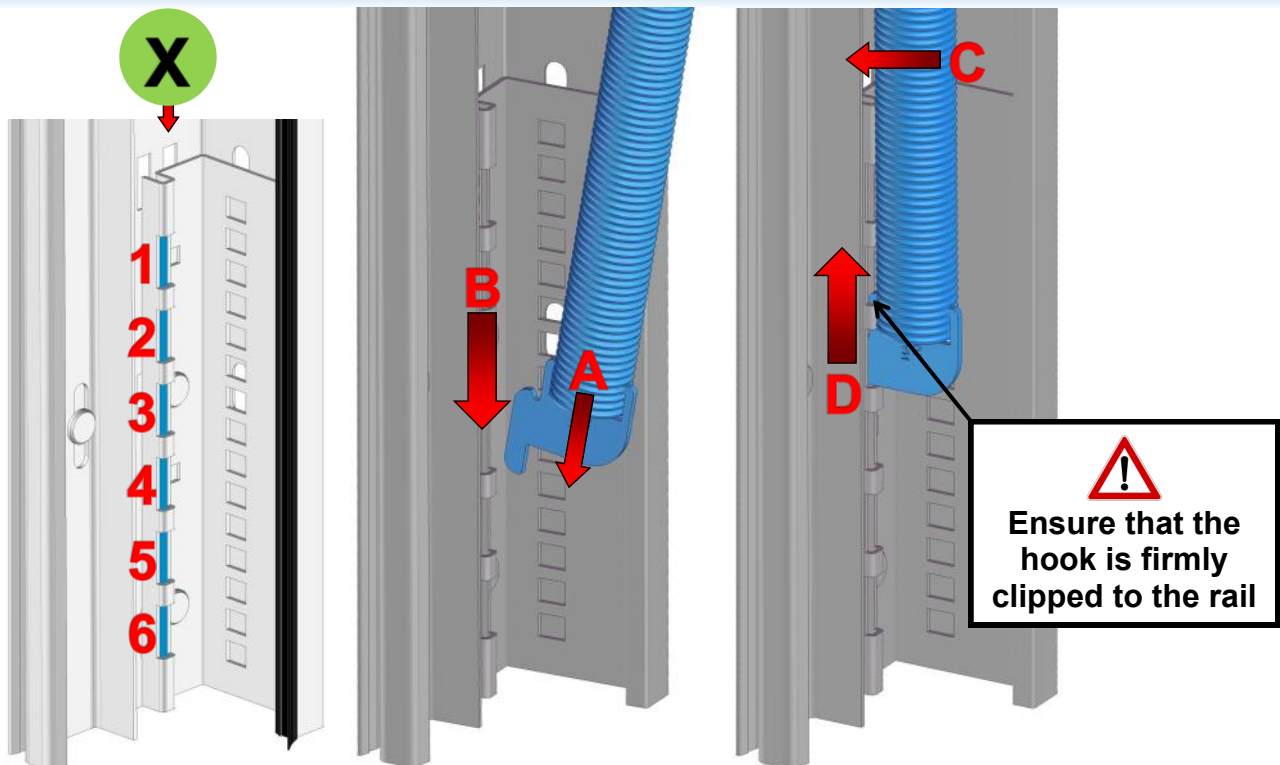


 **Advice:** If the cable attachment point is located at position B, you must therefore cut off the excess cable when completing the finishes.



Repeat the process on the opposite side

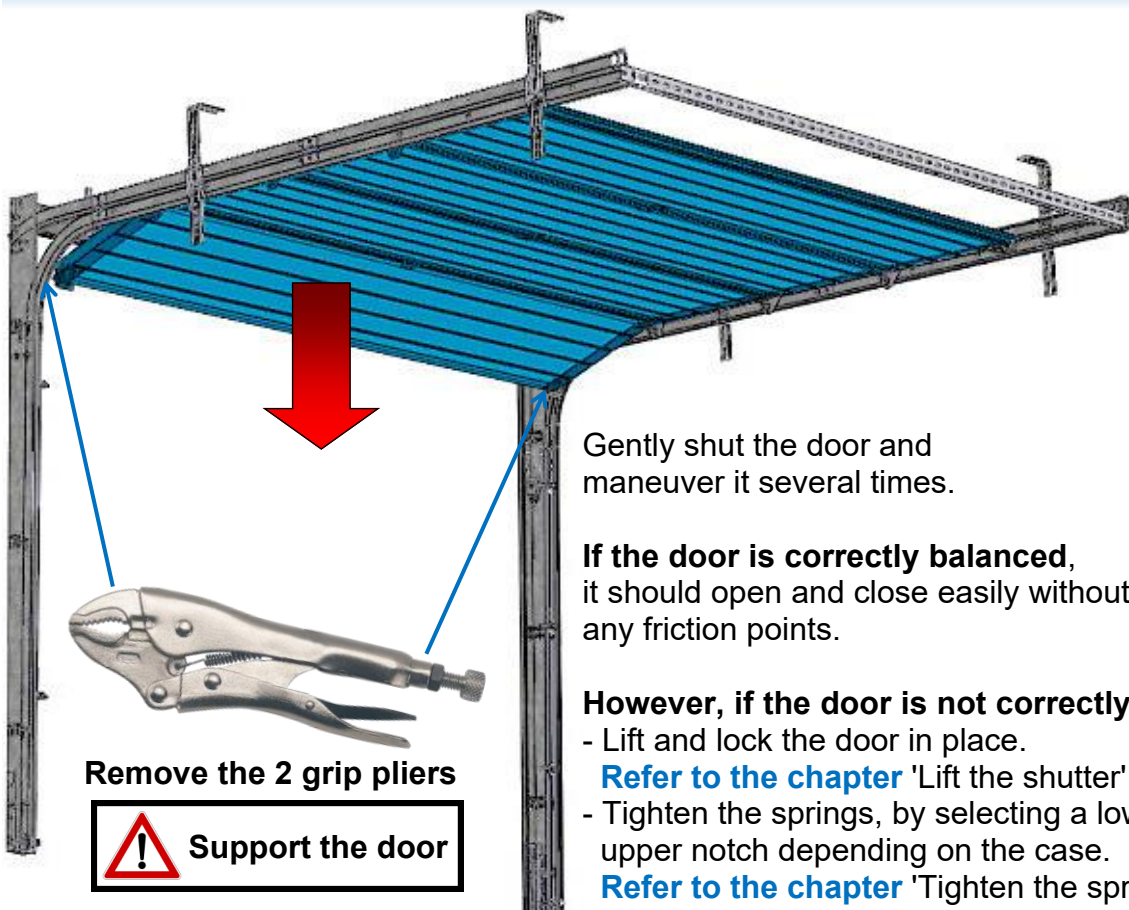
Tighten the springs



X = Number between 1 and 6 inclusive
 Sticker affixed to the rail, indicating the no. of notches for attaching the springs.

Repeat the process with the other vertical rail

IMPORTANT: Check it is correctly balanced



Gently shut the door and maneuver it several times.

If the door is correctly balanced, it should open and close easily without any friction points.

However, if the door is not correctly balanced:

- Lift and lock the door in place.
[Refer to the chapter 'Lift the shutter'.](#)
- Tighten the springs, by selecting a lower or upper notch depending on the case.
[Refer to the chapter 'Tighten the springs'](#)

Remove the 2 grip pliers



Finishes

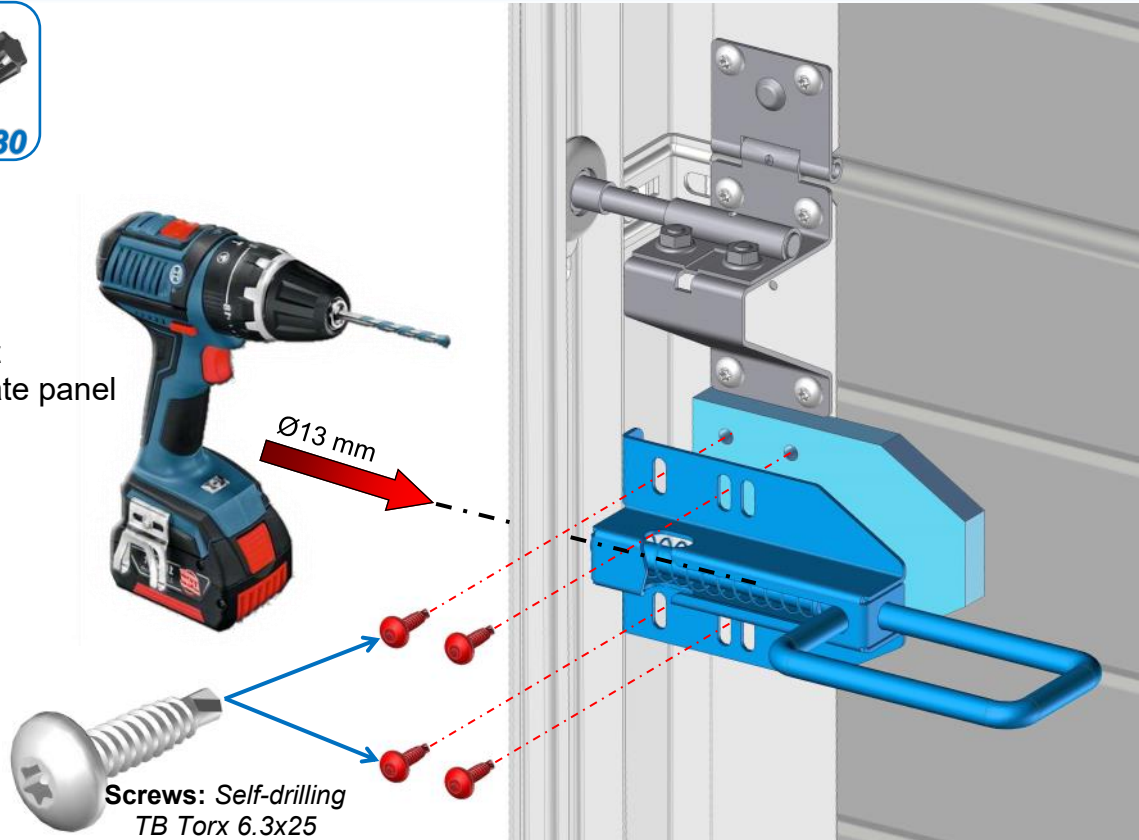
OPTION: Lock

The lock and the installation manual can be found in the accessory pack.

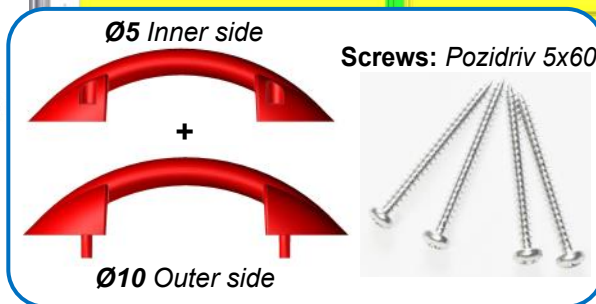
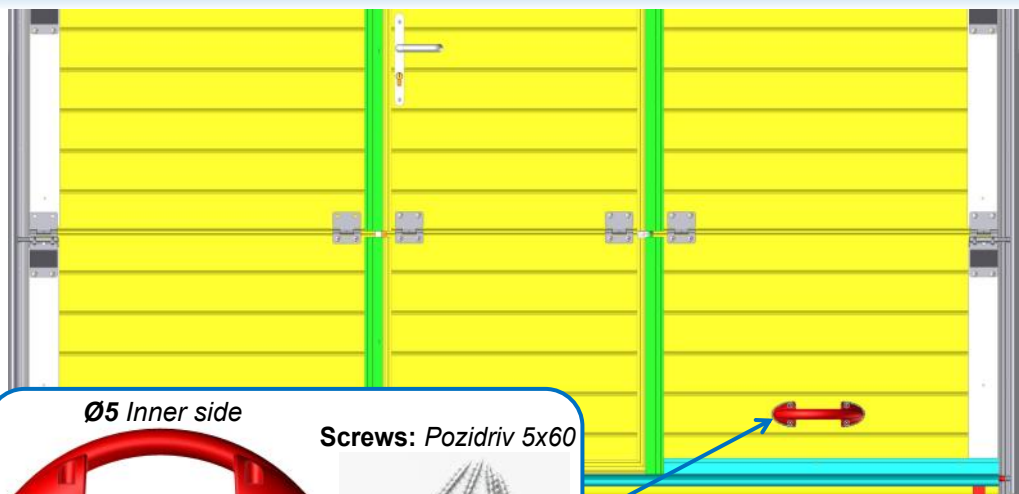
Install the lock



On the 1st intermediate panel



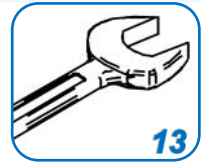
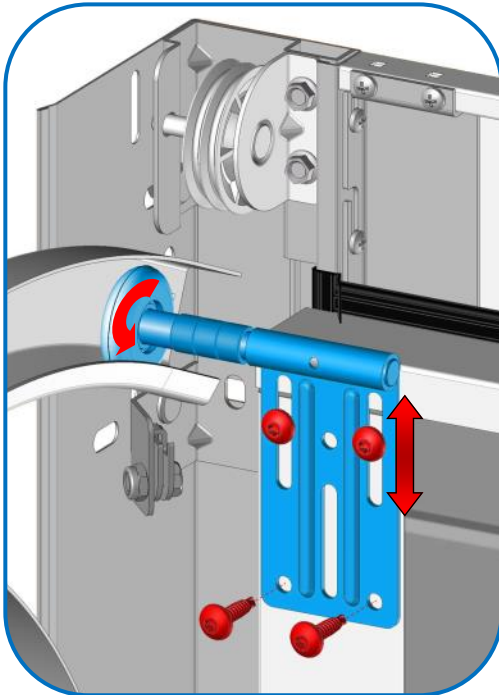
Install the handle



On the bottom panel

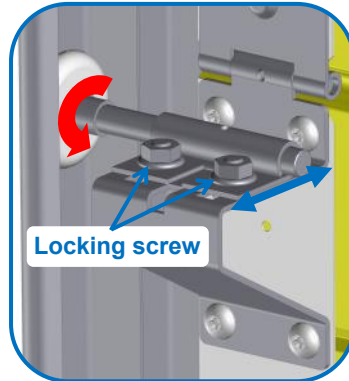
Adjust the roller guides

Top roller support



! - Do not flatten the external lateral seals of the shutter.
- The roller rod must be able to turn.

Locking screw



or

Tandem (option)

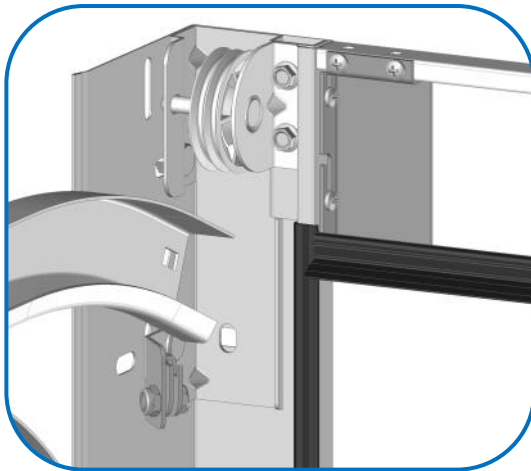


After adjustment, insert the screws:
Self-drilling TB Torx 6.2x25

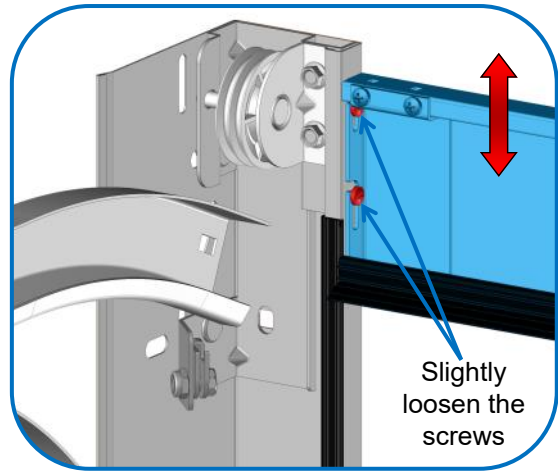
Repeat the process on the opposite side

Possible adjustment

Standard position

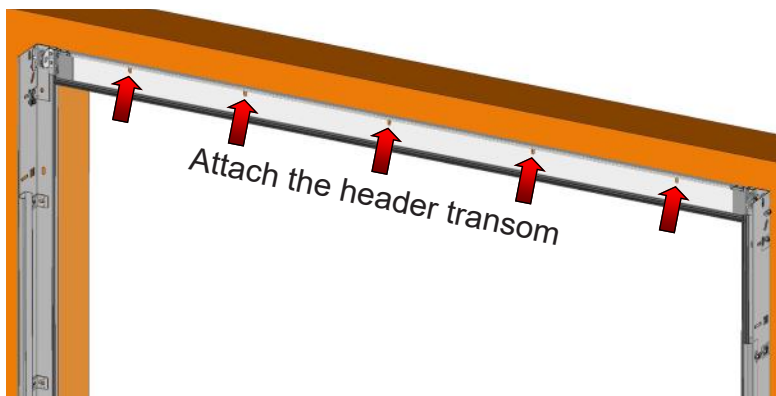


Adjust if necessary



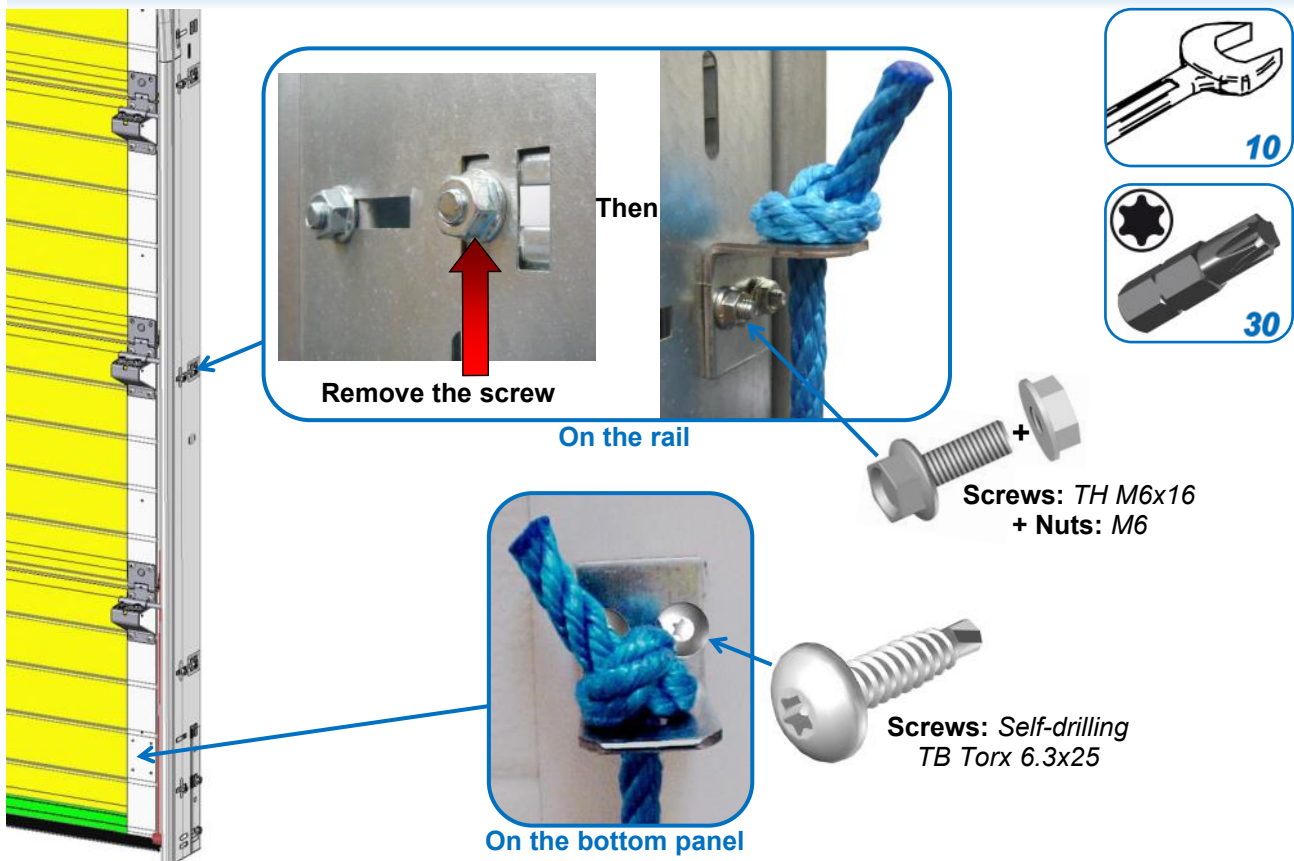
Repeat the process on the opposite side

Then:



Appropriate fittings for the support
(not provided) Ø8 mm

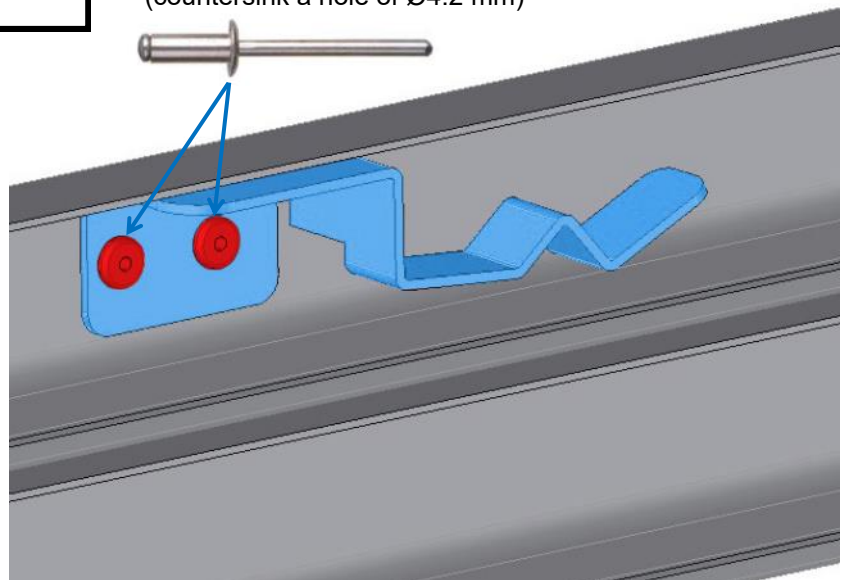
If the door is manually operated: Install the pull cord



If the door is manually operated: Attach the end position clips

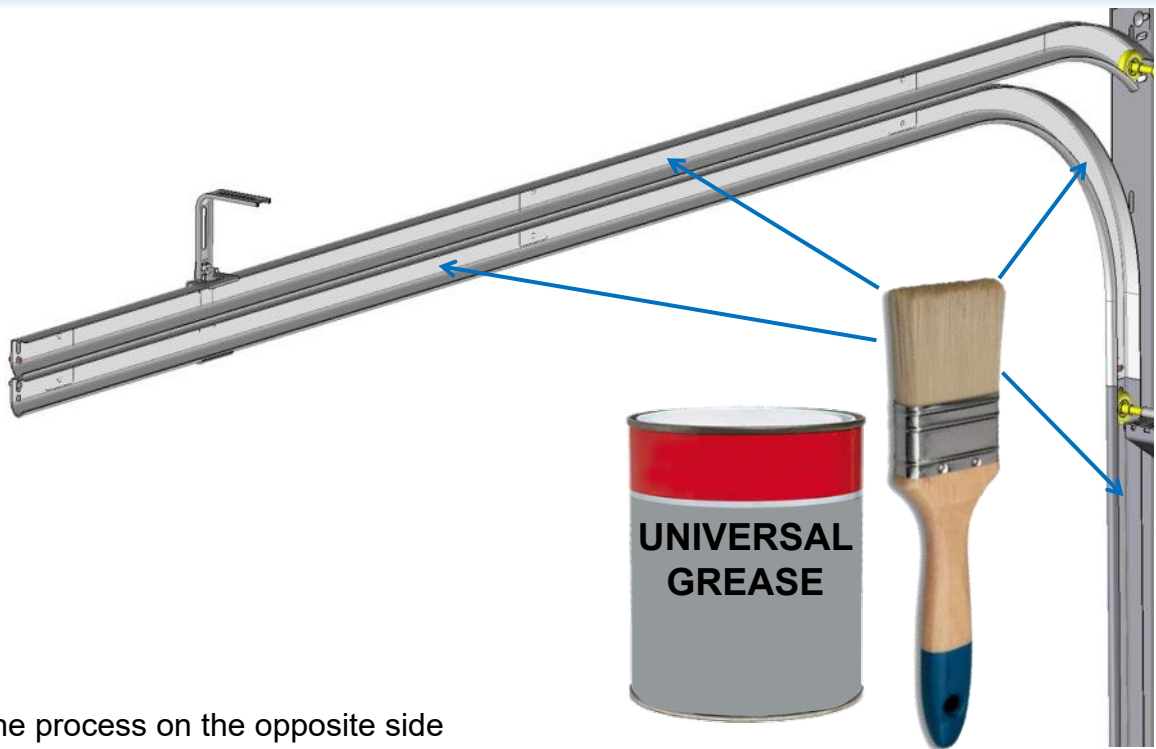
 **The shutter must release the bay**

Rivets: Ø4 mm provided (countersink a hole of Ø4.2 mm)



Repeat the process on the opposite side

Grease the bottoms of the rails and the springs

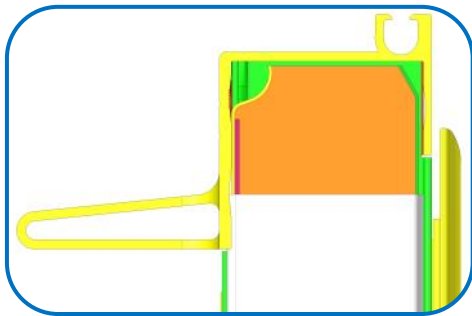


Repeat the process on the opposite side

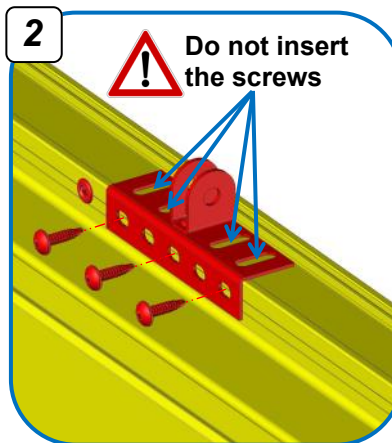
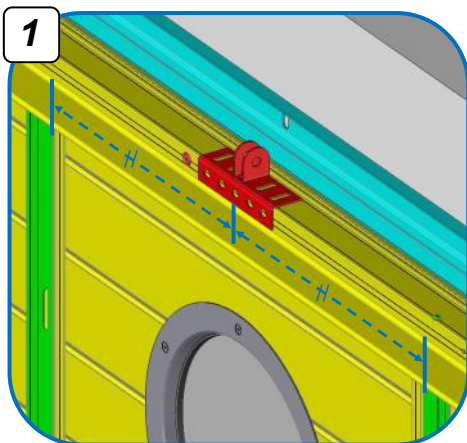
OPTION: Motorization

To install the operator, refer to the TD operator manual provided.

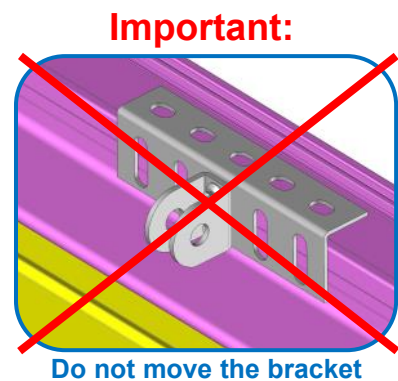
Attach the operator arm



If the final panel has a top profile (stiffener)



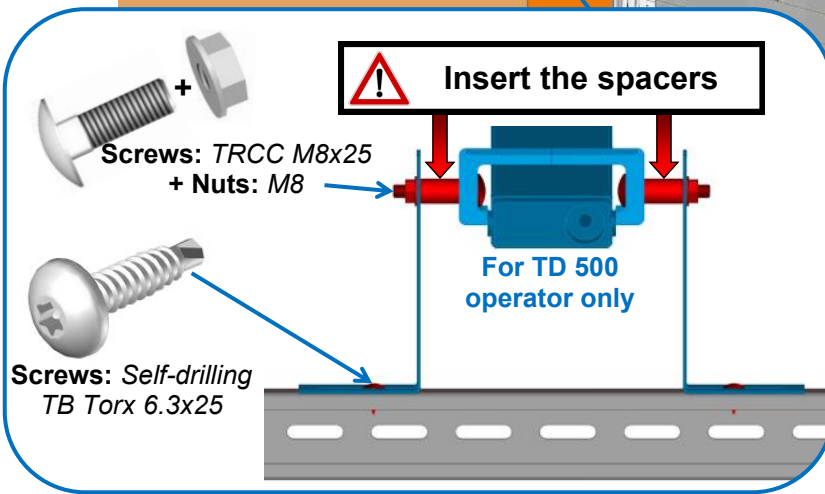
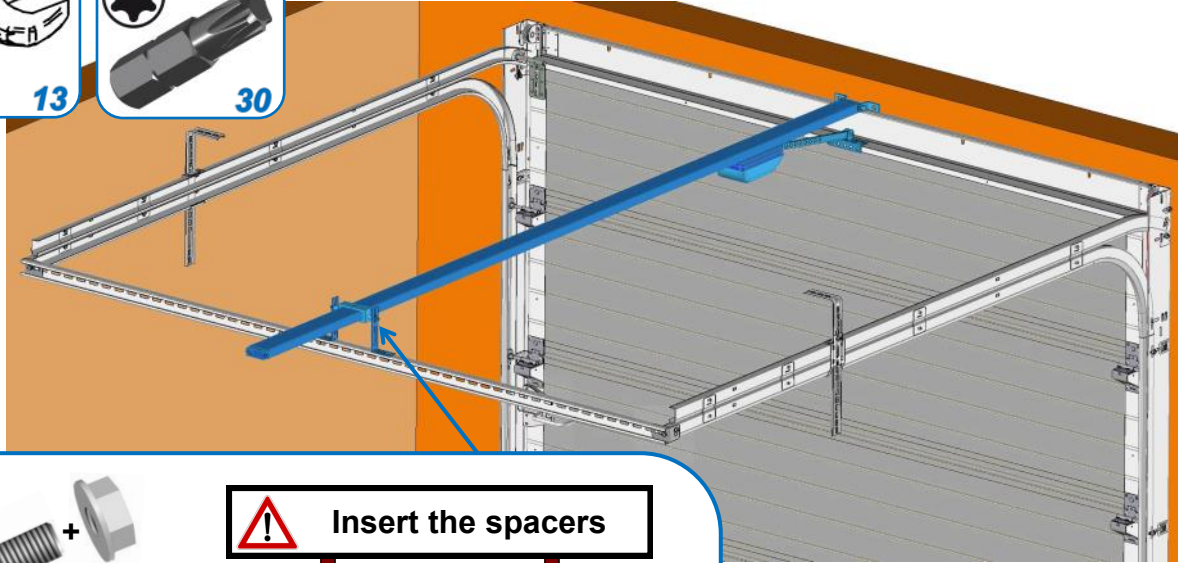
Screws: Self-drilling
TB Torx 6.3x16



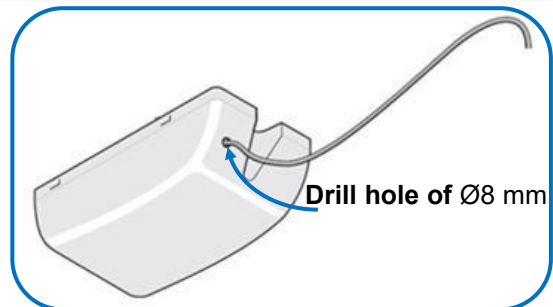
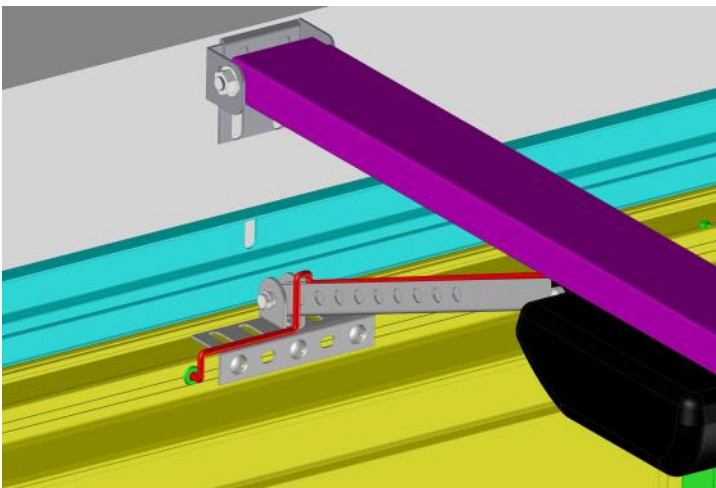
Please note:

If the final panel has a U profile, carry out the standard installation in accordance with the operator manual.

Attach the operator to the rod



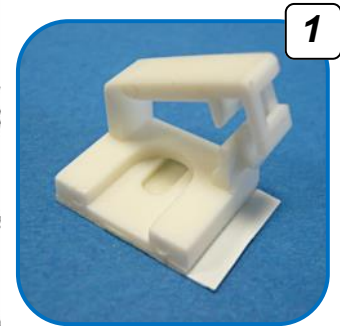
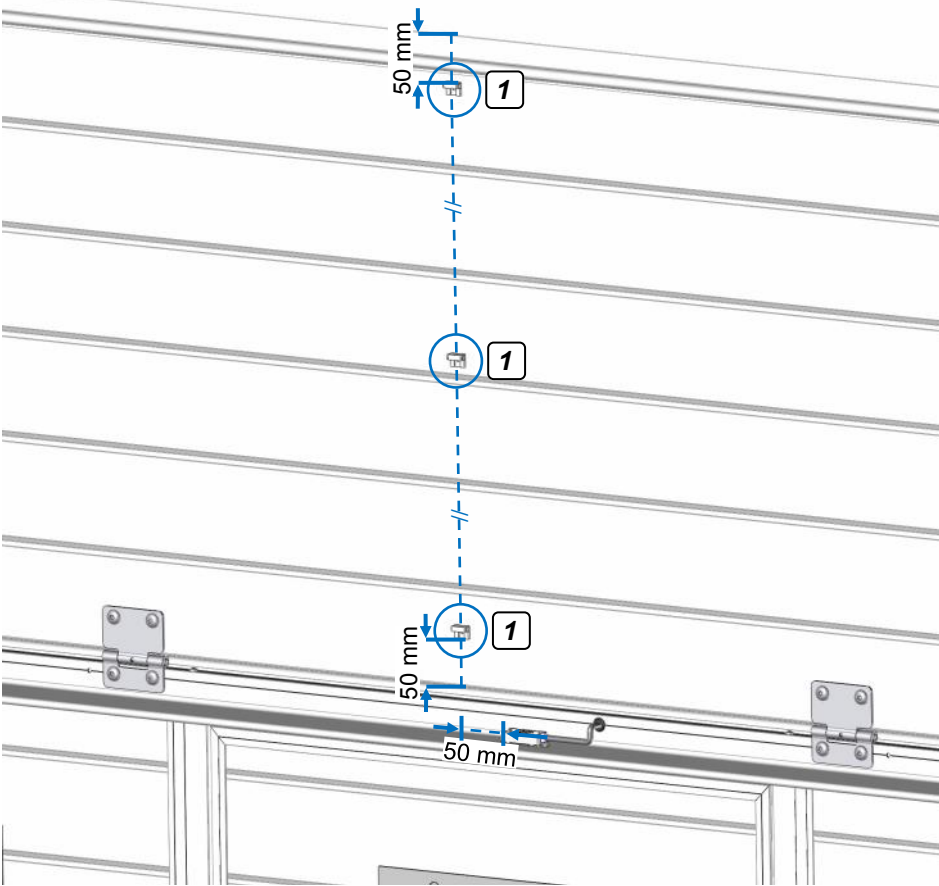
Connect the safety micro switch to the TD operators (wiring)



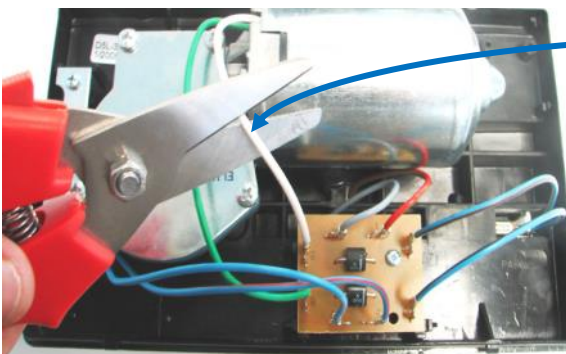
Unclip the cover

← **If there are 3 or 4 panels:**
Pass the electric cable of the micro switch along the length of the operator arm

! **If there are more than 4 panels:** align the cable towards the operator arm and attach it to the panels using the lockable adhesive cable-clamps (provided).

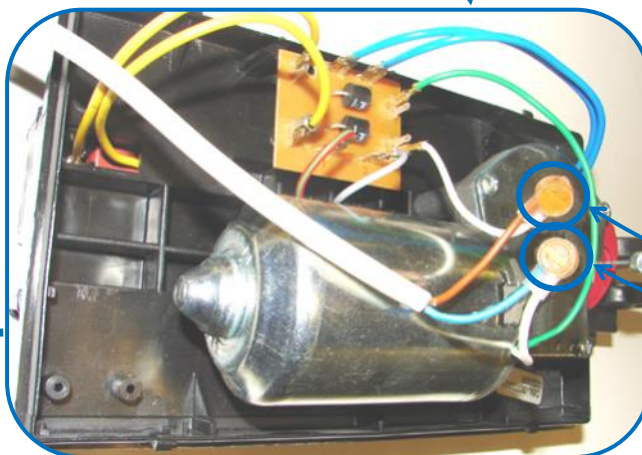
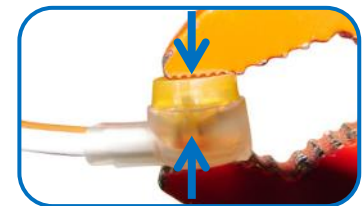


Lockable adhesive cable-clamp



Cut the white wire

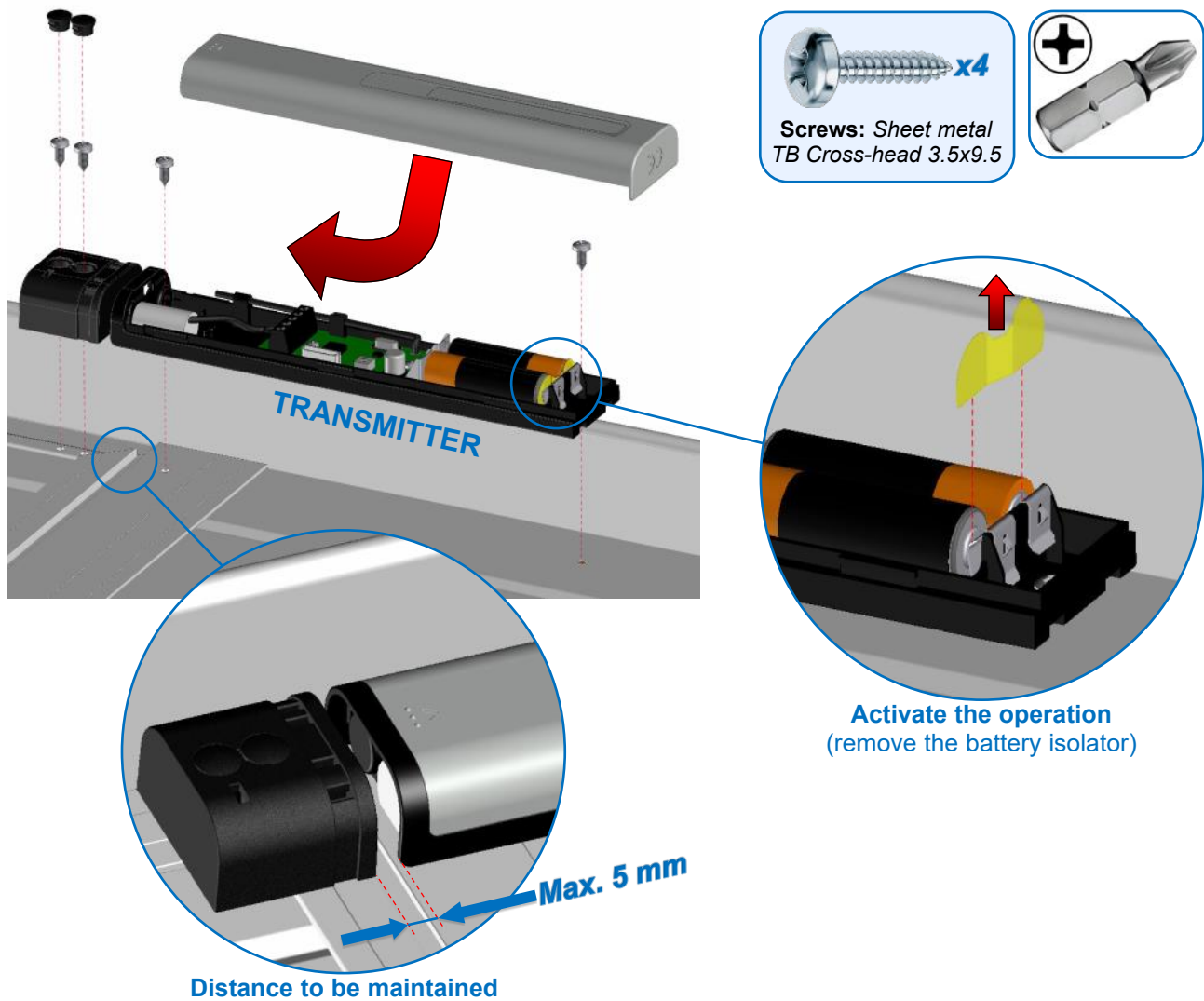
2 Scotchlock connectors (provided)



Connect the 2 white wires on the operator in sequence with the 2 micro switch wires

Check that the micro switch is working, then replace the operator cover, clipping it in place.

Installation: Safety contact radio (wireless) on top panel of wicket door



Please note: The transmitter is already programmed into the receiver in the factory.

Malfunctions related to the beeps and LEDs in case of error:

Low battery: 4 beeps every 20 seconds → LEDs B1/B2 are switched off.

- Solution:

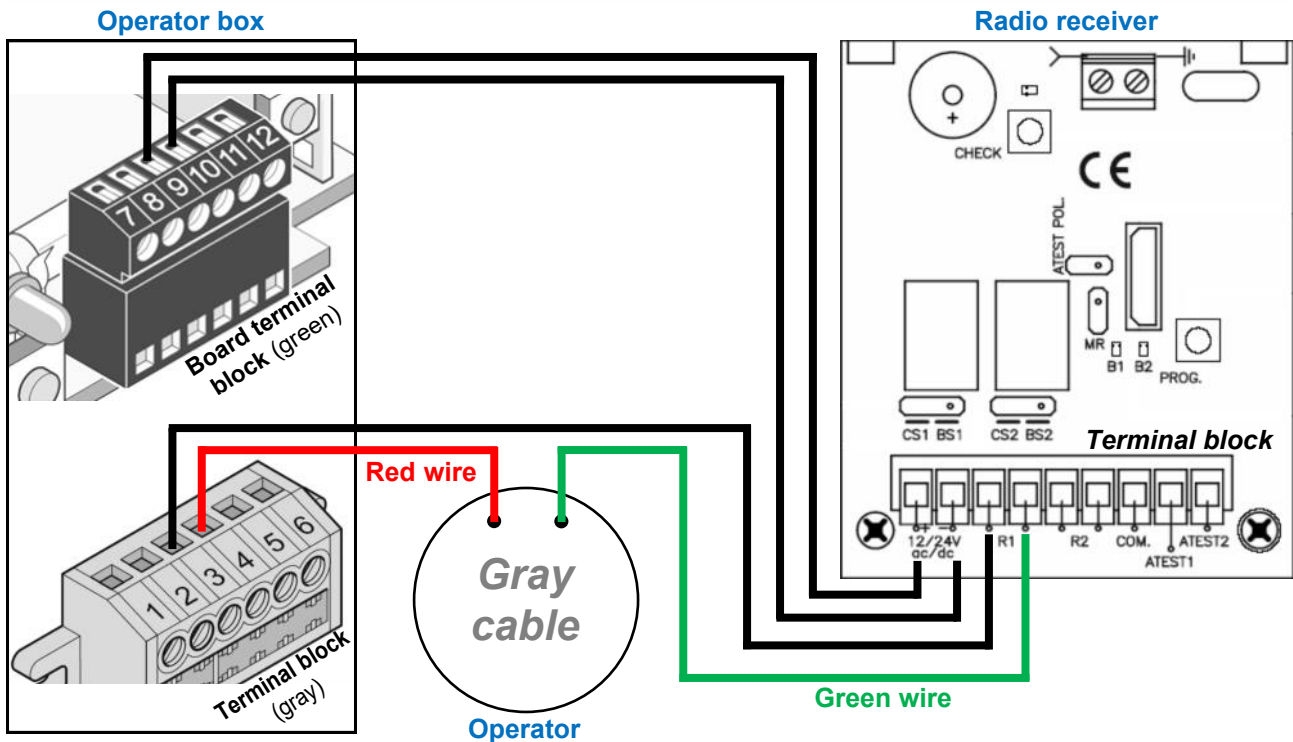
- Check the power supply to the radio receiver.
- Change the batteries.

Radio communication failure between the transmitter and the receiver: No beeps → LEDs B1/B2 are switched on.

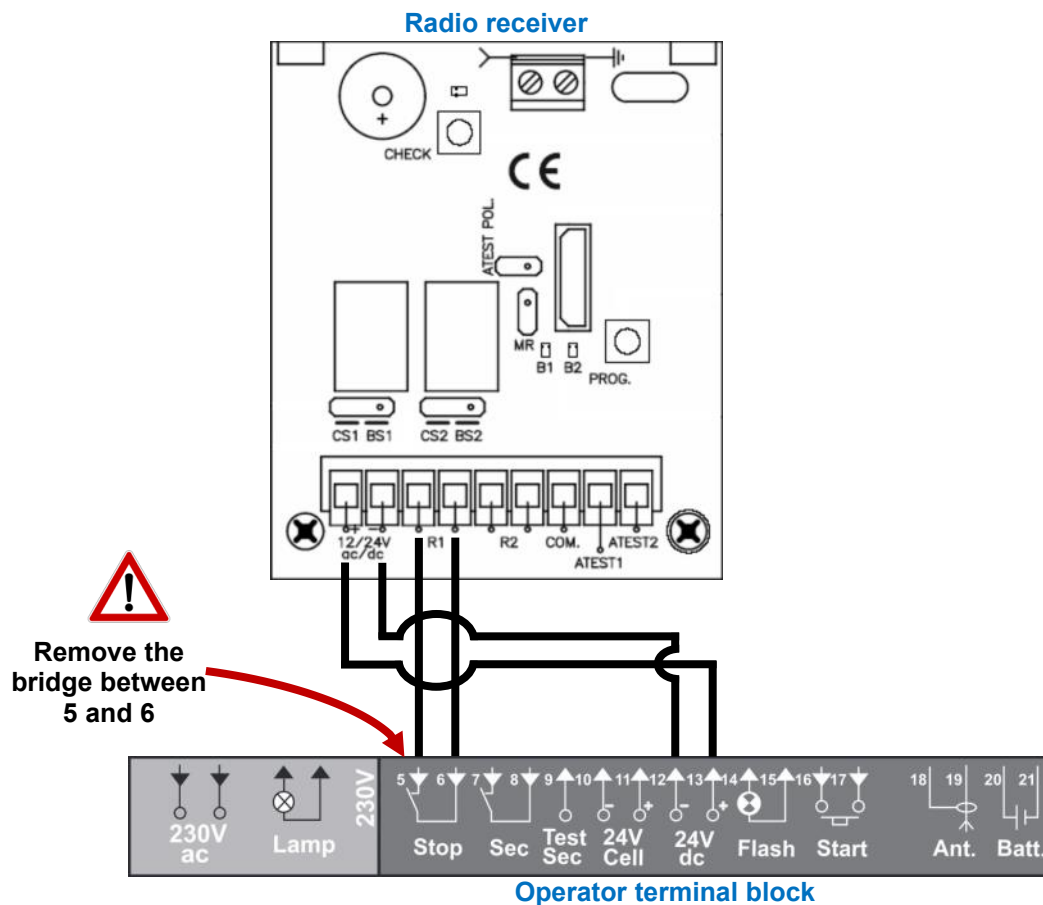
- Solution:

- Check that the battery isolator has been removed from the transmitter.
- Reprogram the transmitter into the receiver (refer to the contact radio manual provided).

Connection: Safety contact radio (wireless) to the TD operators



Connection: Safety contact radio (wireless) to the Dexxo Pro 800 io operator



Connection: Safety contact radio (wireless) to the Dexxo Optimo RTS operator

