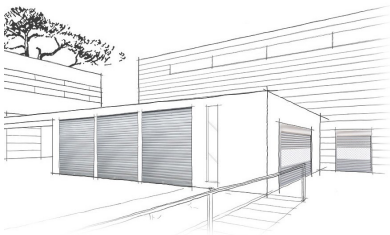


Manual: No. 2000 FITTING

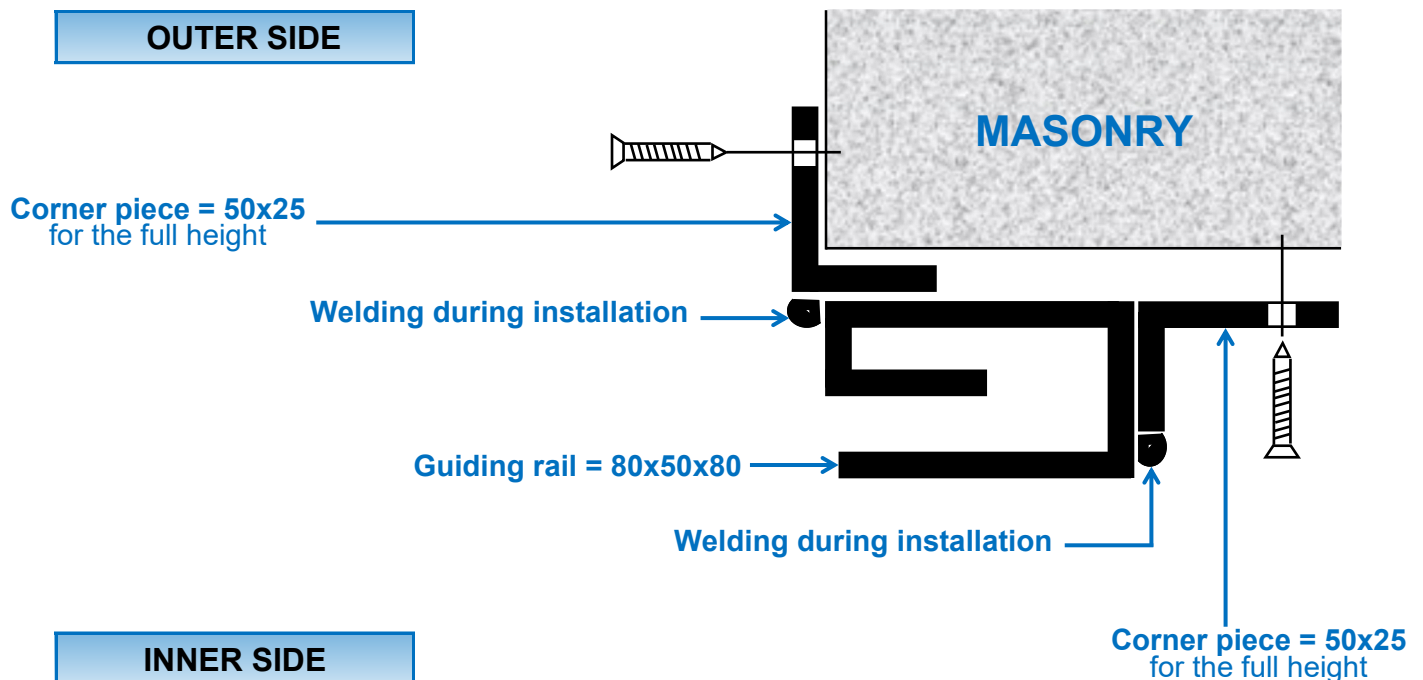
Murax P110 Shutter



Steel hooks for hurricane slides

Inner winding / Axle diameter = 244 mm

OUTER SIDE




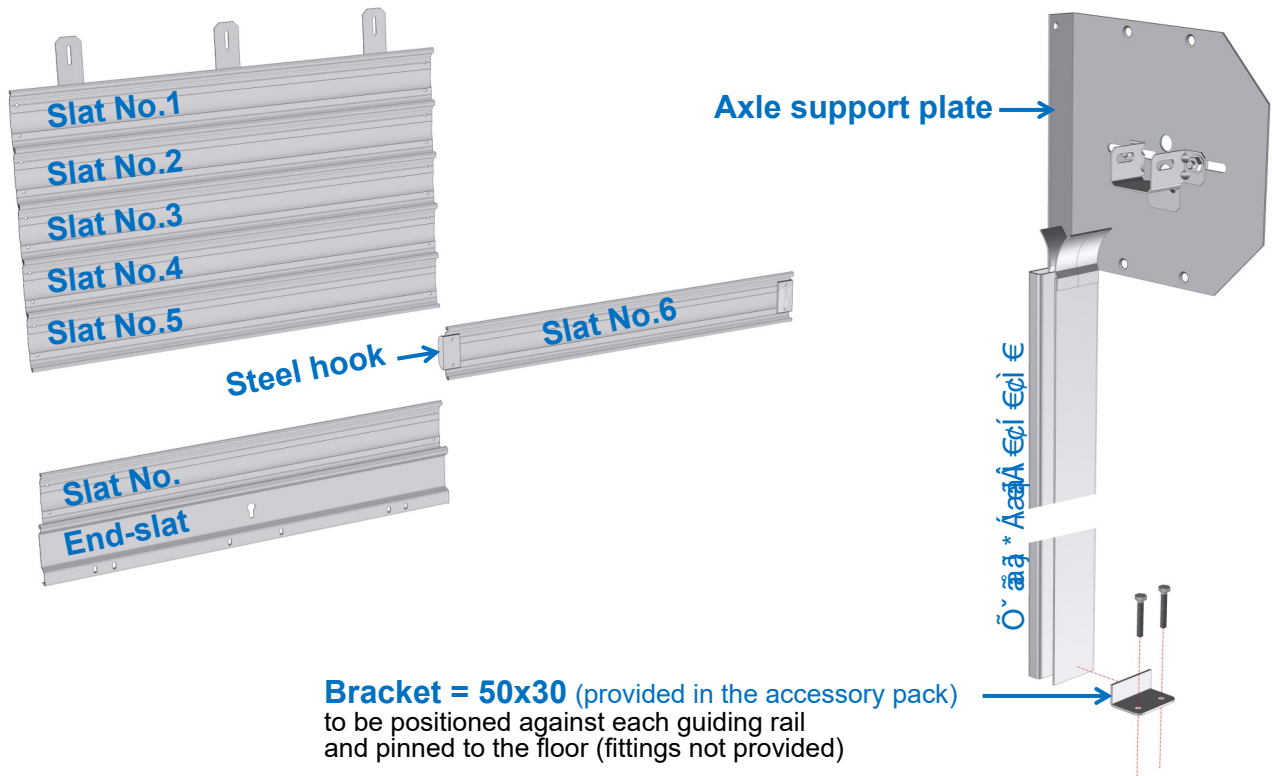
INNER SIDE



**If the clamps are welded onto the guiding rail:
The corner piece 50x25 must be recut in order to fix it between
the clamps.**

(Document reserved for installers)

 **It is essential to follow the assembly order of the slats, starting from the winding axle (non-compliance will lead to incorrect functioning)**



No. of slats with steel hooks, for axle of Ø244 mm
 6 - 11 - 16 - 21 - 26 - 31 - 36 - 38 - 42 - 47 - 51 - 56 - 60 - 65 - 70 - 75 - 80 - 85 - 90 - 100 - 105

Clearance to be maintained for shutters equipped with steel hurricane hooks

Important: Slats with steel hooks must be arranged as per the order stipulated above. Non-compliance with the assembly order of slats will lead to incorrect functioning.

