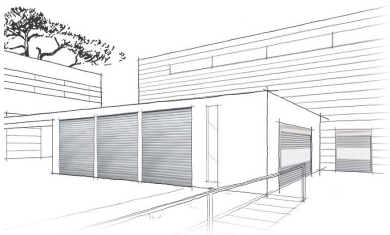


Manual: No. 2010 **FITTING**

Murax P110 Shutter



Steel hooks for hurricane slides

Inner winding / Axle diameter = 273 mm

OUTER SIDE

Corner piece = 50x25
for the full height

Welding during installation

Guiding rail = 80x50x80

Welding during installation

MASONRY


Corner piece = 50x25
for the full height

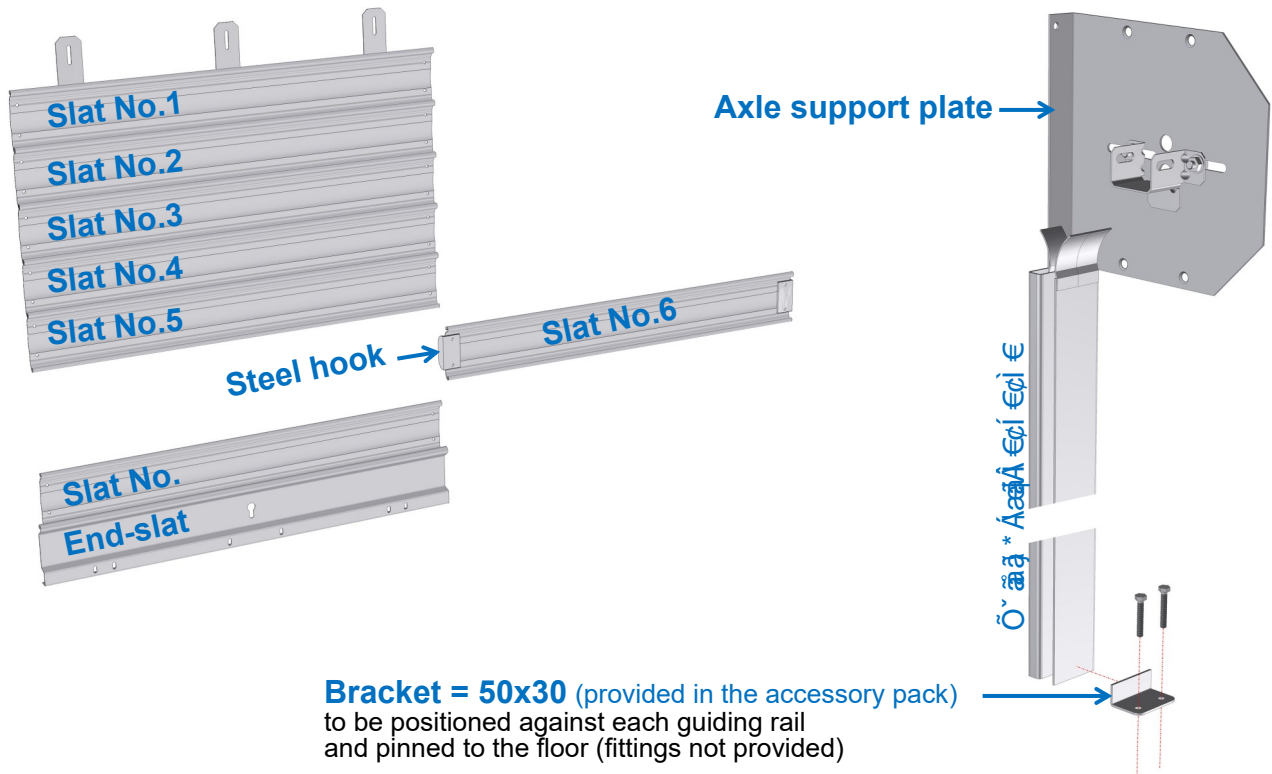
INNER SIDE



If the clamps are welded onto the guiding rail:
The corner piece 50x25 must be recut in order to fix it between
the clamps.

(Document reserved for installers)

 **It is essential to follow the assembly order of the slats, starting from the winding axle (non-compliance will lead to incorrect functioning)**



No. of slats with steel hooks, for axle of Ø273 mm
 6 - 11 - 16 - 21 - 26 - 28 - 32 - 37 - 39 - 44 - 49 - 54 - 59 - 64 - 69 - 74 - 79 - 84 - 90 - 94 - 99

Clearance to be maintained for shutters equipped with steel hurricane hooks

Important: Slats with steel hooks must be arranged as per the order stipulated above. Non-compliance with the assembly order of slats will lead to incorrect functioning.

