

Manual : N° 7431

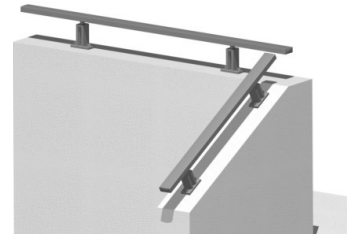
INSTALLATION

Guardrails

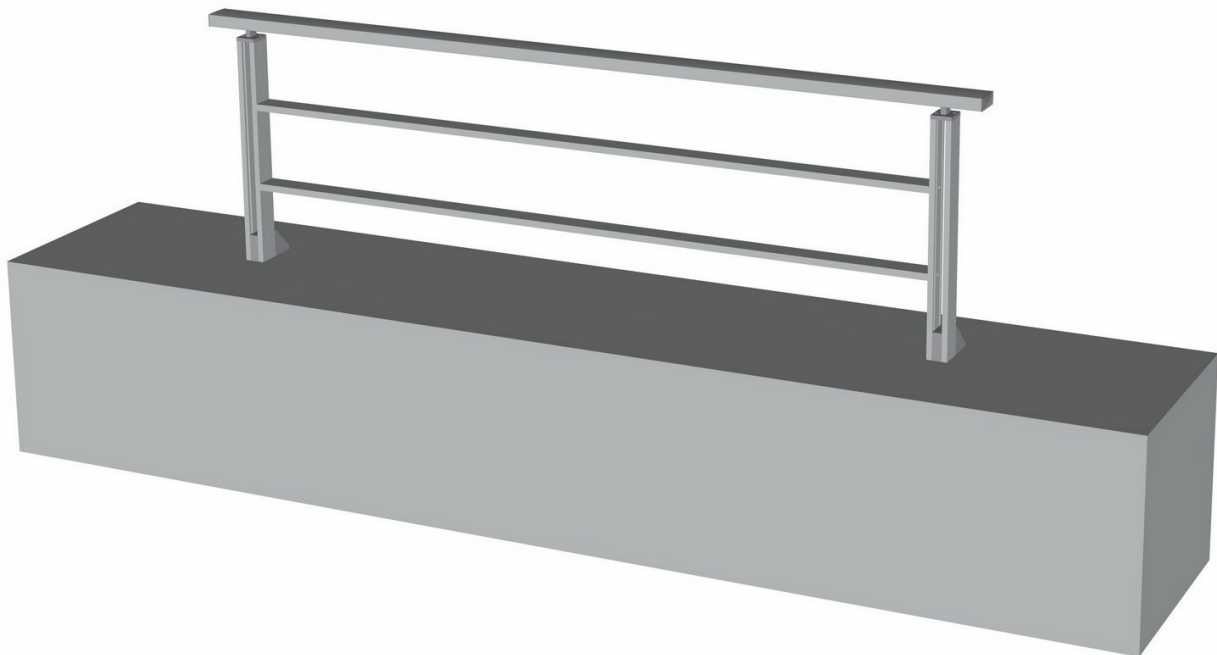


Rails

or



Ramps



(Document reserved for installers)

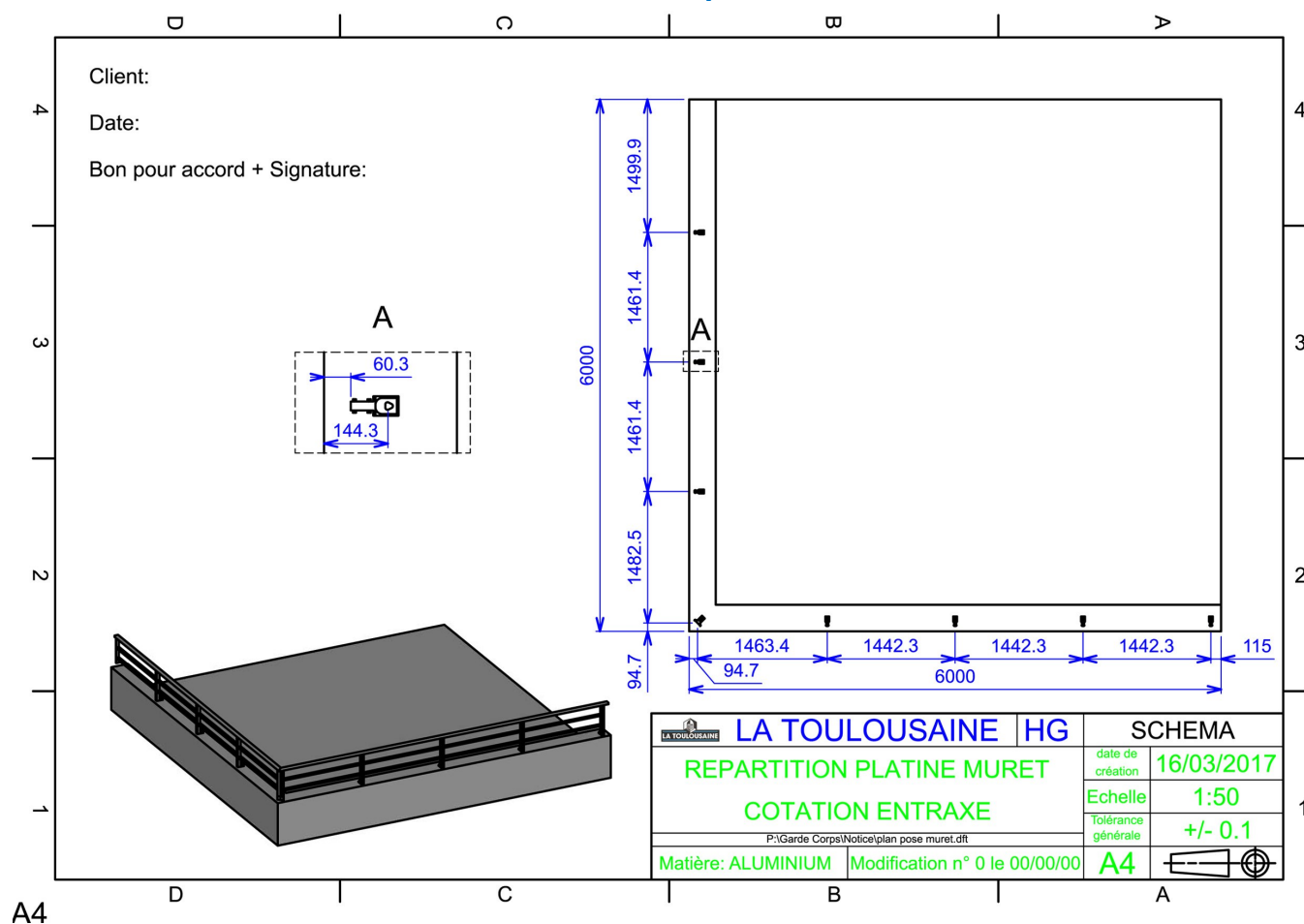
Contents

Required equipment.....	p.2
Installation instructions.....	p.3
Installation Rails on low wall.....	p.4
Finishes (at end of installation).....	p.4
Installation Ramps on low walls, on staircases or between panels.....	p.6

Required equipment

The layout plan of the bearing plates is supplied with the order acknowledgement and also in the accessory package.

For example :



- Ladders
- Trestles
- Clamps
- Vice pliers
- Laser or spirit level
- Plumb bob
- Tape meter (8M)
- Percussion drill
- Screwdriver with torque limiter (with long SR2 and cap supplied)
- Hacksaw with miter box (handrail cut 45°/90° and clip 90°)

- Milling cutter Ø19 mm
- Universal pliers
- Steel drill Ø9 mm and Ø13 mm
- 8 mm flat wrenches
- 3 mm, 4 mm and 5 mm allen keys
- Deburrer
- Silicone gasket
- Hammer
- Mallet with plastic tips
- You will need tools for floor fixings (drills, flat wrench, etc...)

Installation instructions



WARNING !

To ensure that this product is assembled,
used and maintained in complete safety,
it is important to follow the instructions provided in this document.
For everyone's safety,
observe the following precautionary measures.



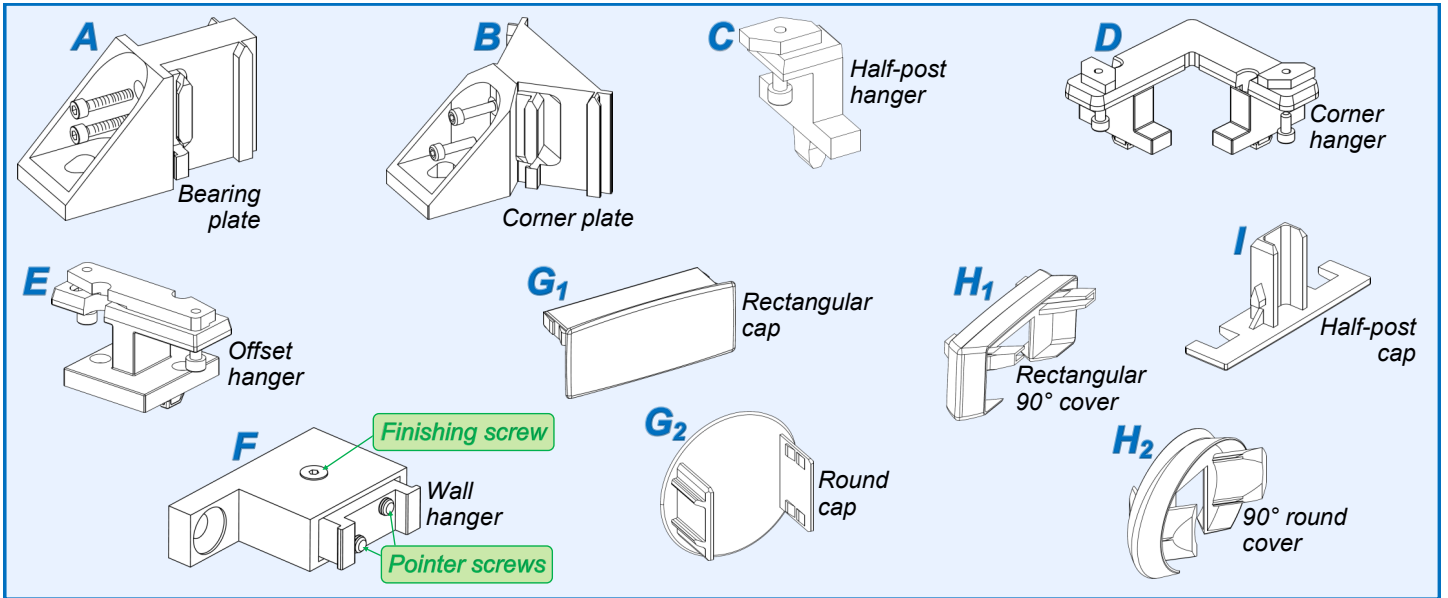
- * Before beginning the assembly, read this manual carefully.
- * This guardrail must be installed by a professional technician.
- * All the parts delivered are specifically sized for this product.
Adding and/or using other parts may be detrimental to safety and may affect the product's warranty.
- * Any modification or improvement to this guardrail must comply with standards NFP 01-012, NFP 01-013 and NF DTU 39.
Any disassembly will affect the conformity of the product.
- * This work must be carried out in accordance with the safety instructions.
Use the appropriate tools to install these products.
Ensure that the work is carried out on a stable floor.
- * Ensure that the assembly area is adequately lit, clear, clean and clearly marked out.
- * Ensure that no other people are present at the assembly site apart from the installers.
Non-authorized persons (children for example !) who are present at the site risk injury during assembly.
- * All the components of this guardrail must be installed in compliance with the installation instructions provided in this manual.
- * All the requirements of the standards must be met and verified if necessary.

Max. locking torque :

- Assembly screw : **3 Nm**

Installation

Rails on low walls



Please note :

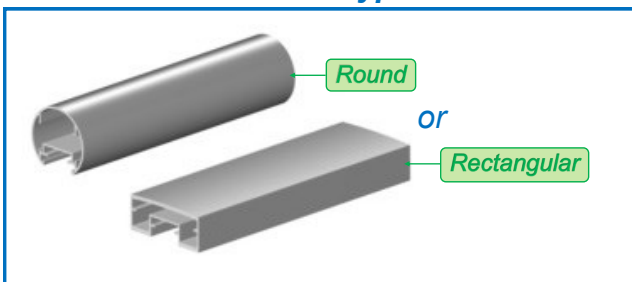
- To position the bearing plates according to the dimension and numbering of the modules, please refer to the drawing provided with the order acknowledgement or in the accessory package.
- To attach the bearing plates, adapt the fittings (not provided) according to the support : See regulation.



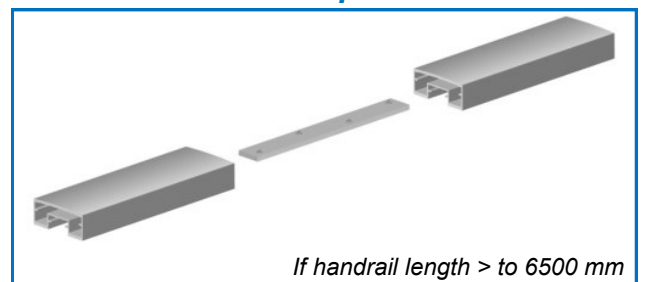
Installation method :

For your safety, mount the modules, one by one, in the bearing plates fixed to the wall.

Handrail types



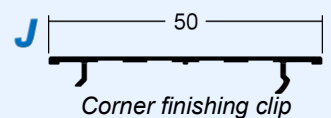
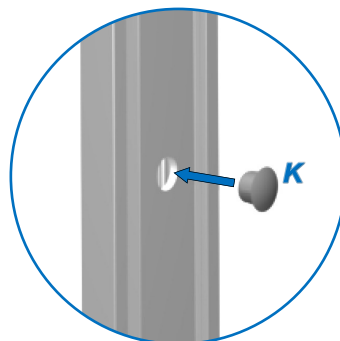
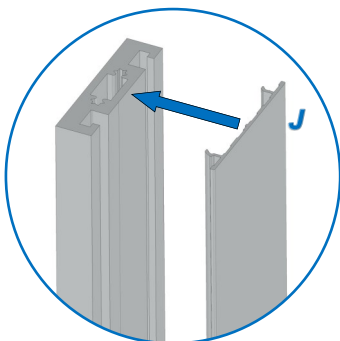
Joint splice

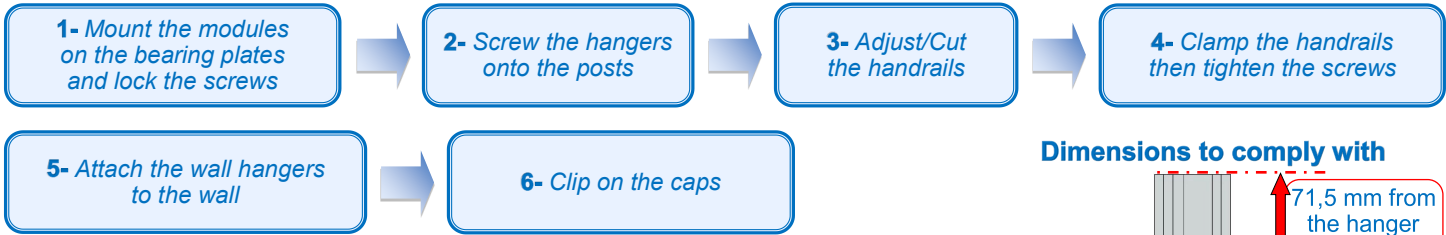


Finishes (at end of installation)

1- Clip the clips onto the corner posts.
If necessary, adjust.

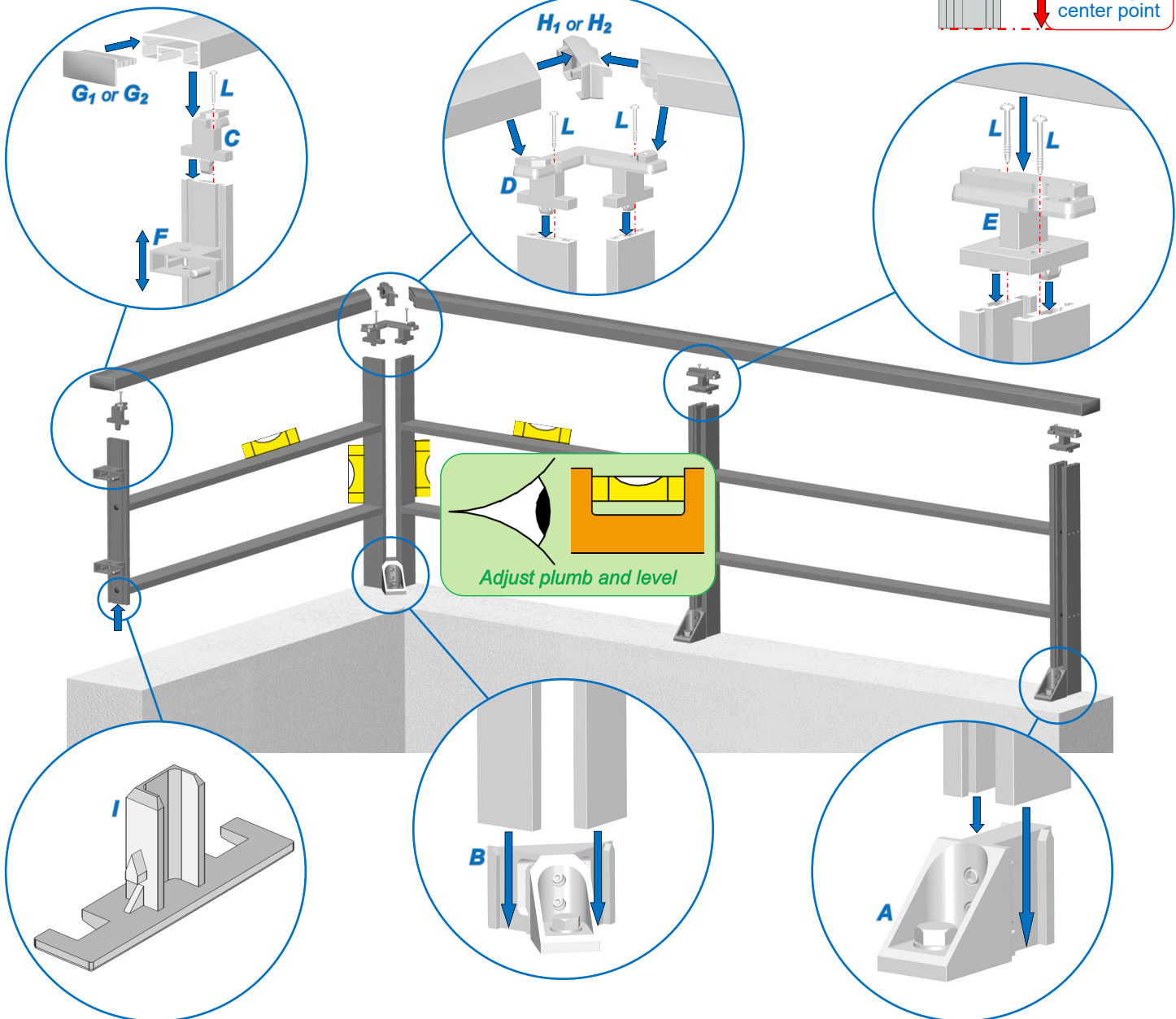
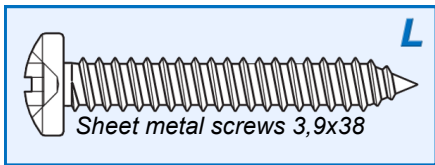
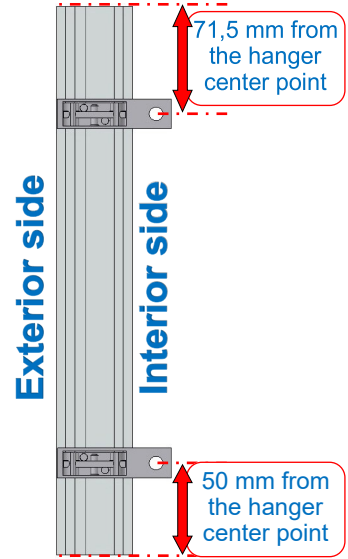
2- Insert caps on posts





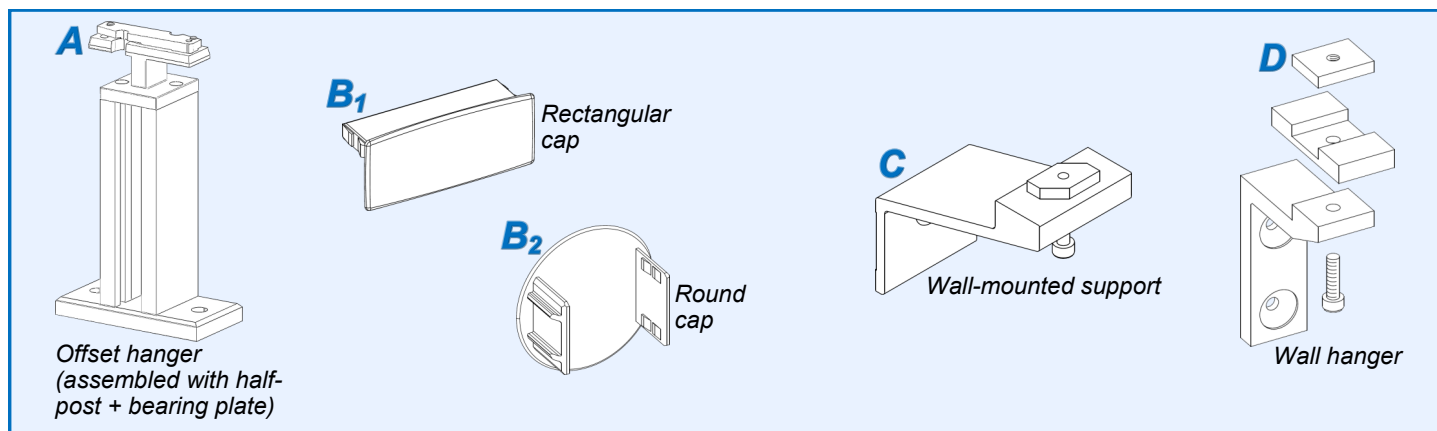
- F¹- Loosen the finishing screw.
- F²- Adjust wall hangers to size.
- F³- Tighten the set screws on the inside.
- F⁴- Attach the wall hangers to the wall
(adapt the fittings, not provided, according to the support).
- F⁵- Lock the finishing screw.

Dimensions to comply with



Installation

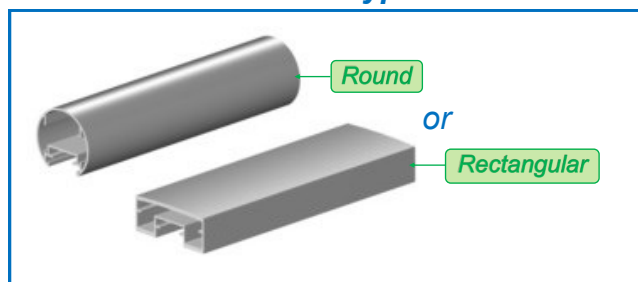
Ramps on low walls, staircases or between shutters



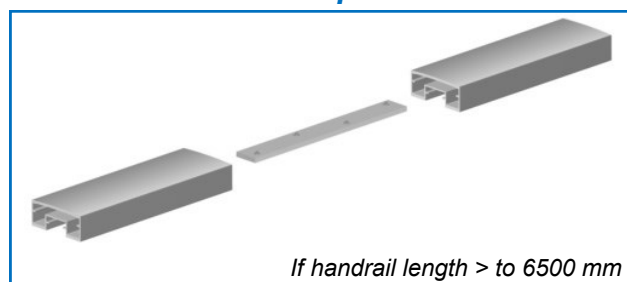
Please note :

- To position the bearing plates according to the dimension and numbering of the ramps, please refer to the drawing provided with the order acknowledgement or in the accessory package.
- To attach the bearing plates, adapt the fittings (not provided) according to the support : See regulation.

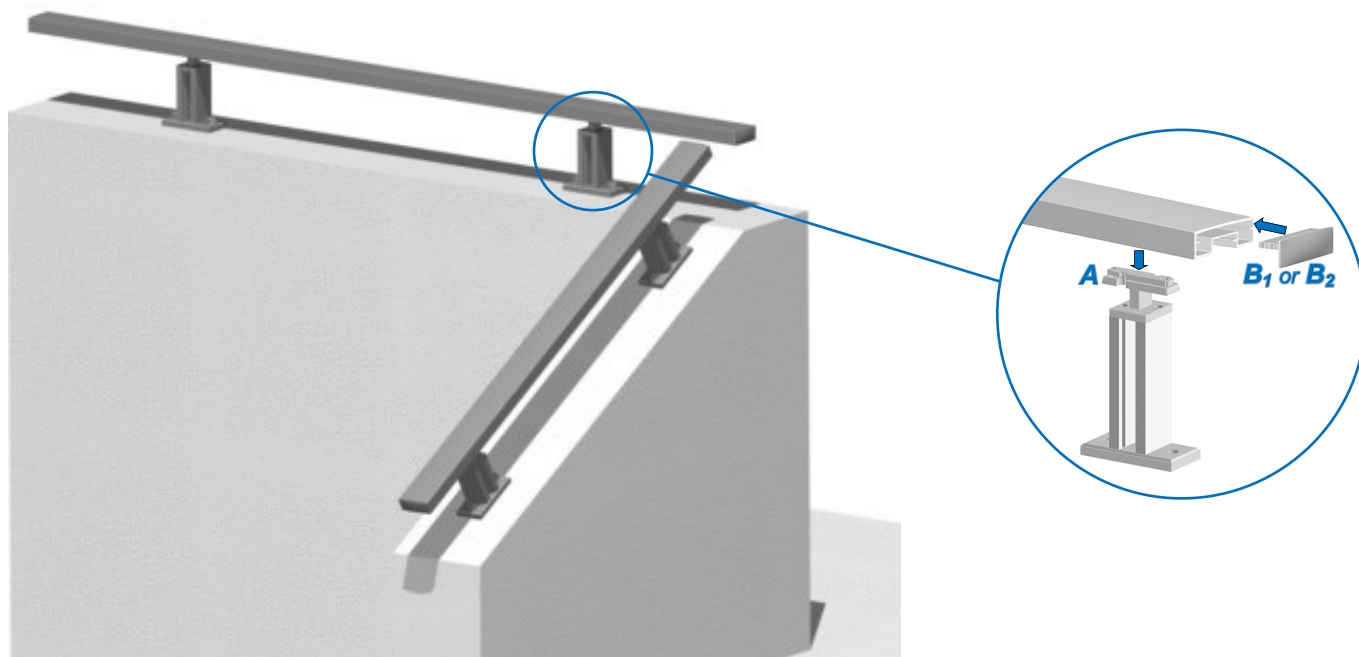
Handrail types



Joint splice

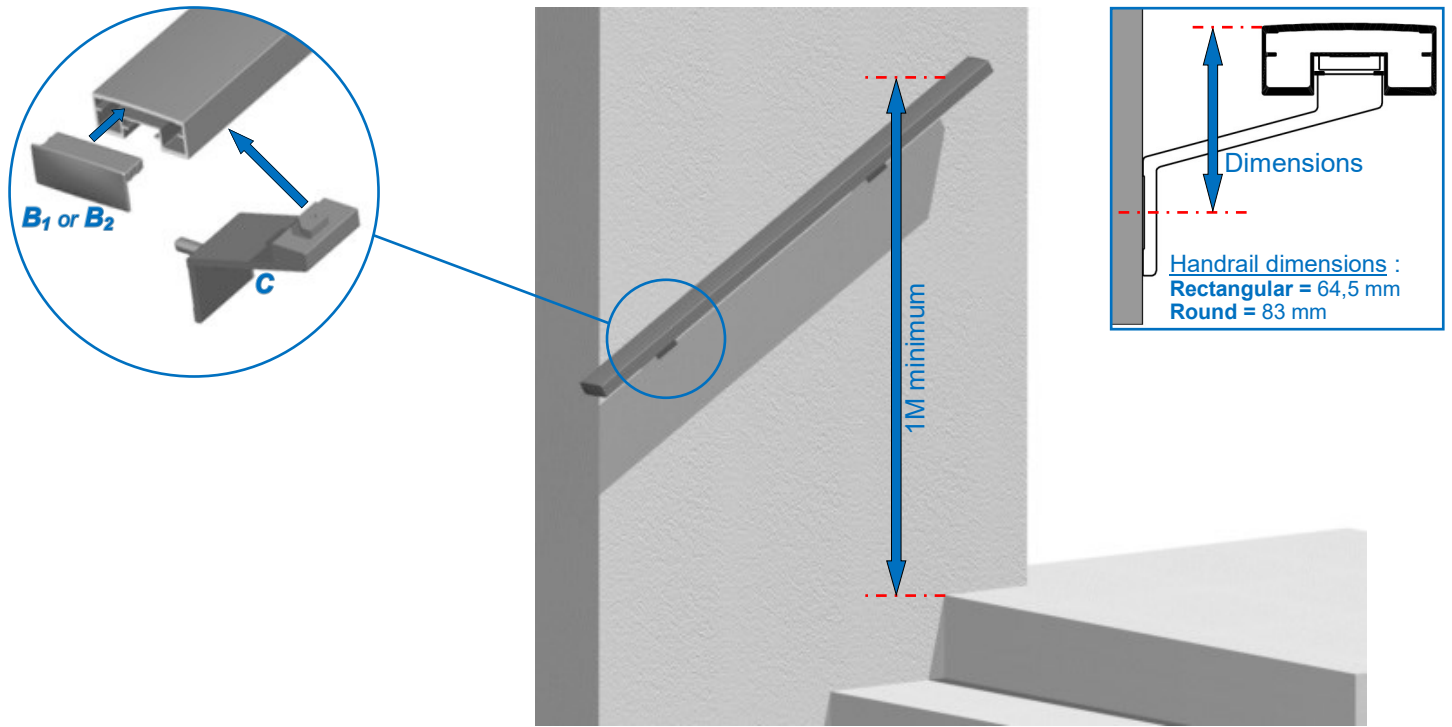


Ramps on low walls :



Ramps on staircases :

- 1- Attach the support to the wall
- 2- Adjust/Cut the handrails
- 3- Clamp the handrails then tighten the screws
- 4- Clip on the caps



Ramps between shutters :

- 1- Fix the hangers to the wall
- 2- Adjust/Cut the handrails
- 3- Clip on the caps
- 4- Clamp the handrails then tighten the screws

