

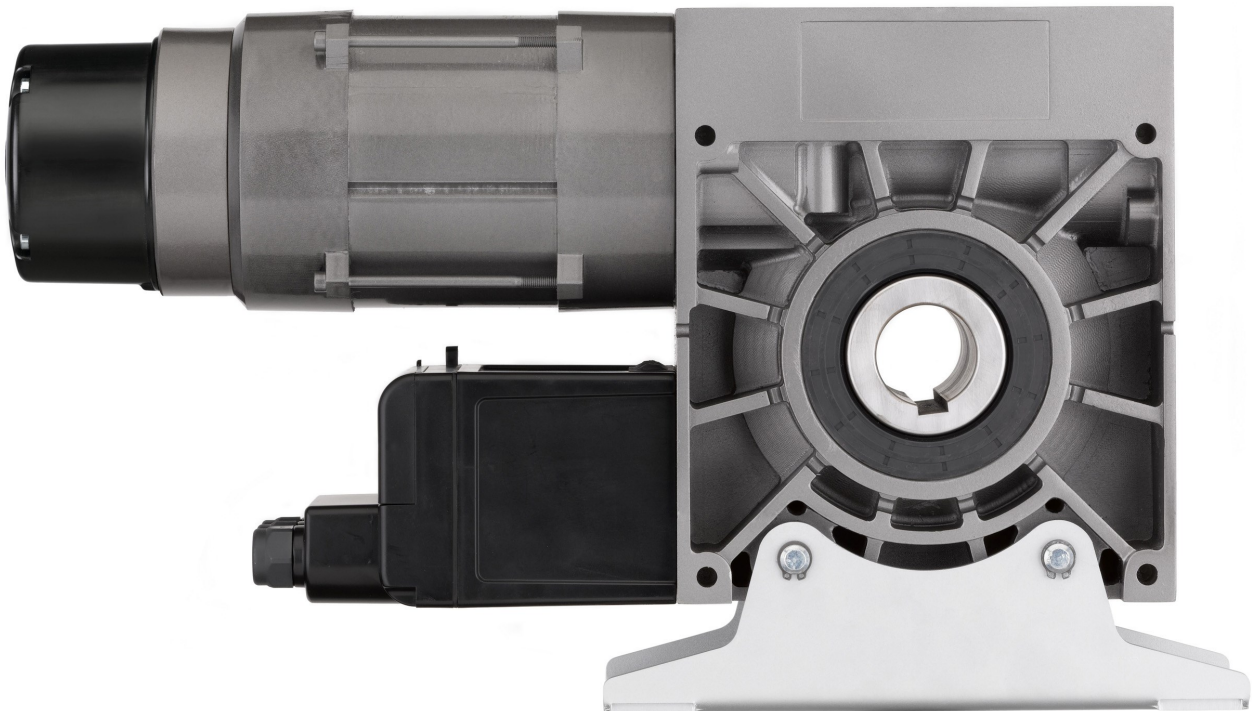
Maintenance booklet and removal manual

N°2116

05/18

Murax P110 Shutter/Dentel Grille
fitted with an anti-fall guard

E400 or E750 operators



(Document reserved for users)

Maintenance and inspection booklet

Intervention frequencies		
Operating mode	Number of visits per year	Maximum number of cycles between visits
Hold to run	1	2500
Mixed	2	2500
Pulse		
Automatic		

Site address :

Status and name of the fence element :

Maintenance check points (see enclosed maintenance booklet)



**Clean the shutter regularly with clear water.
The use of detergent may degrade the color or gloss of the coating.**

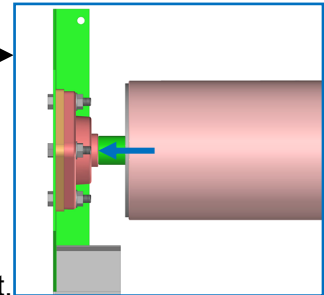
A/ SHUTTER

- **Checking the shutter fasteners on the axis :**
 - . Condition of the shutter fasteners.
 - . Screw condition and tightening.
 - . Condition and anchoring of captive nuts.
- **Checking vertical slat alignment.**
- **Checking the condition of the slats and joints** (shocks/dirt, etc).
- **Checking the condition of the staples and tubes** (Dentel Grille).
- **Checking side clearances.**
- **Function check of the lock :**
 - . Condition of the lock and linkage.
 - . Check the free passage of the rods in the guiding rail holes and in the wall (if inter-wall installation).

B/ AXIS

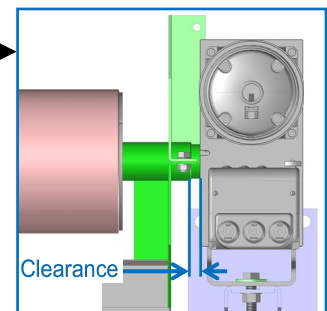
- **Opposite side to the operator :**

- . Check the condition and tightness of the fixation screws securing the bearing of the plate (+ lubrication of the bearing)
- . Check that the shouldered shaft is in contact with the bearing. →
- . Check for the presence of the washer at the end of the smooth shaft.



- **Operator side :**

- . Check the condition of the keyed pipe/shaft connection welds.
- . Check that the operator is securely mounted on its support.
- . Check the clearance between the shoulder and the operator, it must be between 5 and 10 mm. →
- . In the event that the anti-fall guard integrated in the operator is triggered due to mechanical failure, the operator must be replaced.



C/ GUIDING RAILS AND PLATES

- **Checking the guiding rail fasteners on the framing.**
- **Checking the plate fasteners on the framing.**
- **Checking the condition of the guiding rails and plates** (internal clearances, no unevenness).
- **Clean the inside of the guiding rails and plates.**
- **Lubrication of the inside of the guiding rails and plates.**
- **Check the guiding rail/plate connection** (no unevenness).
- **Check invitation settings.**
- **Check plate alignment** (perpendicular to the header and parallel to each other).
- **Check the fastening of the operator support to the framing.**

D/ ELECTRIFICATION

- **Check the state of the electrical wiring and its protection** (circuit breaker).
- **Check the operation of the emergency manoeuvre.**
- **Check the setting and function of the limit switch safety devices.**
- **Check the function of the safety microswitches on the lock** (if installed).
- **Check the access and operation of the power circuit breaker** (it must be located near the shutter).
- **Check the current consumption during operation and the operation of the thermal operator protection circuit breaker.**

Maintenance booklet

intended for the owner of the fence element

Manufacturer's name : **FTFM LA TOULOUSAIN (31750)**
 Fence element identification number :
 Job site reference :
 Installer name :
 Date of installation :
 Type of operation :
 Safety devices :
 Final test of verification and operation carried out by the installer :
 Date : Observation :

Name : Signature :

Instructions for use : See user guide.

Logging of interventions						
Type of intervention				Intervener		
Maintenance	Repair	Replaced parts	Improvement	Date	Name	Signature

WARNING :

Any modification or improvement of this fence element must be compliant with the standard EN 13 241 + A2. In this case, a "modification/transformation" file must be created as per the standard EN 12635 annex C.

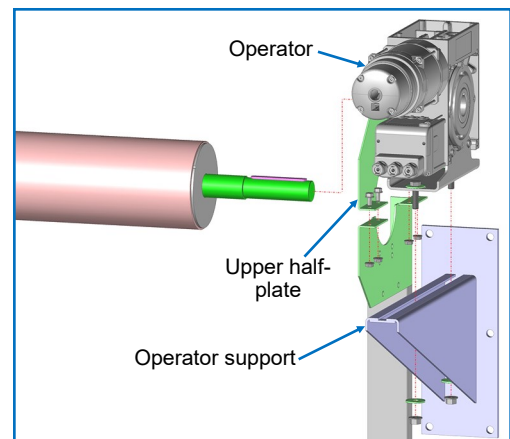
Removal instructions

On the bearing plate of the box :

- Press and hold down the **P** key (programming) for **5 seconds**, the red **LED** will flash slowly.
- Electrically raise the shutter by pressing on the **+** key and manually remove the final blade from the guiding rails.
- Lower the shutter completely out of the guiding rails by pressing on the **-** key.
- Disconnect the operator and controls.
- Remove the shutter completely.

Operator side (OS) :

- Disassemble the upper half-plate.
- Unscrew the operator and remove it.
- Disassemble the operator support.



Opposite side to the operator (OO) :

- Unscrew the bearing from the plate by removing the M10x45 H screws.
- Remove the axis.
- Disassemble the guiding rails.

