

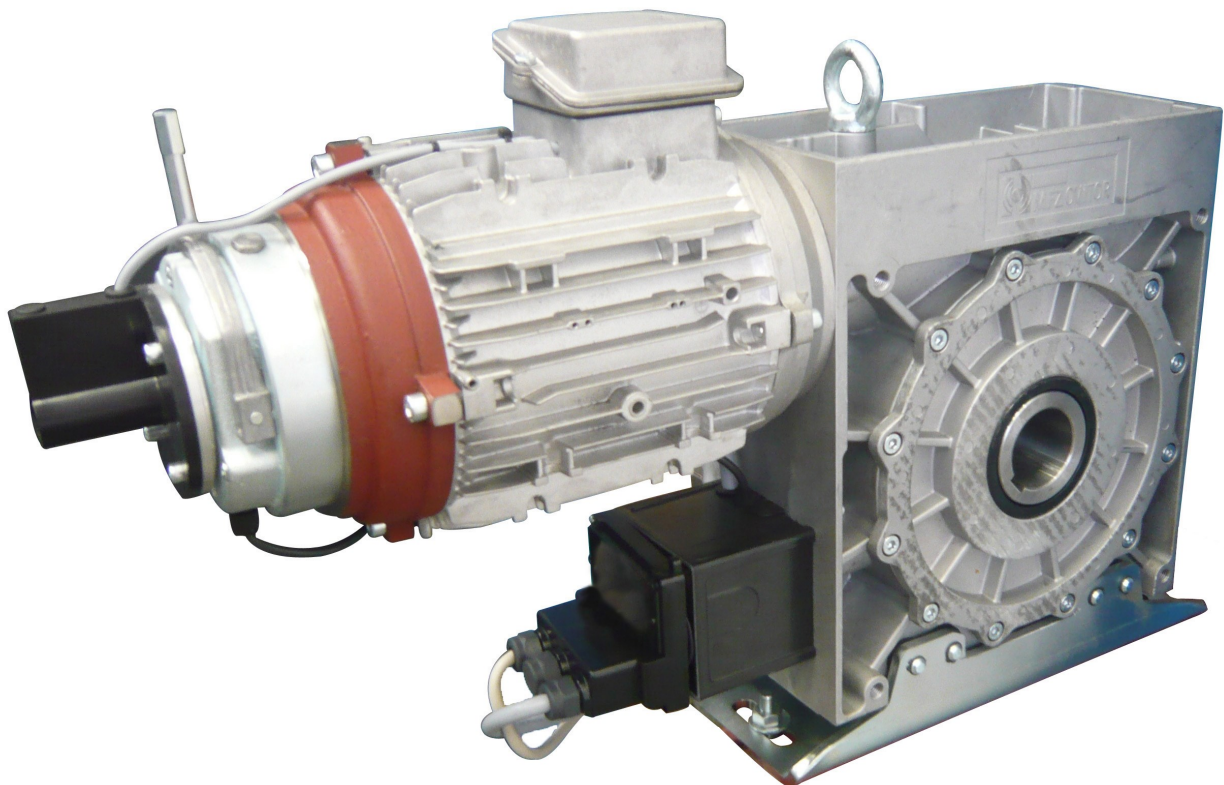
Maintenance booklet and removal manual

N°2117

01/19

Murax P110 Shutter/Dentel Grille
fitted with an anti-fall guard

S2000 operator



(Document reserved for users)

Maintenance and inspection booklet

Intervention frequencies

Operating mode	Number of visits per year	Maximum number of cycles between visits
Hold to run	1	2500
Mixed	2	2500
Pulse		
Automatic		

Site address :

Status and name of the fence element :

Maintenance check points (see enclosed maintenance booklet)



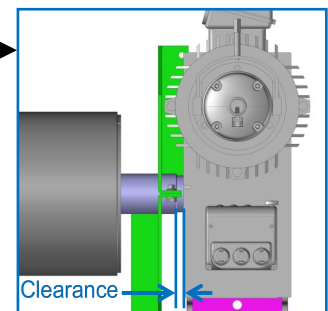
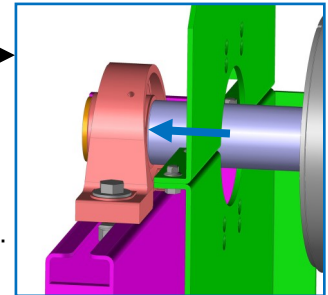
**Clean the shutter regularly with clear water.
The use of detergent may degrade the color or gloss of the coating.**

A/ SHUTTER

- **Checking the shutter fasteners on the axis :**
 - . Condition of the shutter fasteners.
 - . Screw condition and tightening.
 - . Condition and anchoring of captive nuts.
- **Checking vertical slat alignment.**
- **Checking the condition of the slats and joints** (shocks/dirt, etc.).
- **Checking the condition of the staples and tubes** (Dentel Grille).
- **Checking side clearances.**
- **Function check of the lock :**
 - . Condition of the lock and linkage.
 - . Check the free passage of the guiding rails in the slide holes and in the wall (if inter-wall installation).

B/ AXIS

- **Opposite side to the operator :**
 - . Check the condition and tightness of the fixation screws securing the bearing of the plate.
(+ lubrication of the bearing)
 - . Check that the shouldered shaft is in contact with the bearing . →
 - . Check for the presence of the washer at the end of the smooth shaft .
- **Operator side :**
 - . Check the condition of the keyed pipe/shaft connection welds.
 - . Check that the operator is securely mounted on its support.
 - . Check the clearance between the shoulder and the operator, it must be between 5 and 10 mm. →
 - . In the event that the anti-fall guard integrated in the operator is triggered due to mechanical failure, the operator must be replaced.



C/ GUIDING RAILS AND PLATES

- **Checking the guiding rail fasteners on the framing.**
- **Checking the plate fasteners on the framing.**
- **Checking the condition of the guiding rails and plates** (internal clearances, no unevenness).
- **Clean the inside of the guiding rails and plates.**
- **Lubrication of the inside of the guiding rails and plates.**
- **Check the guiding rail/plate connection** (no unevenness).
- **Check invitation settings.**
- **Check plate alignment** (perpendicular to the header and parallel between them).
- **Check the fastening of the operator support to the framing.**

D/ ELECTRIFICATION

- **Check the state of the electrical wiring and its protection** (circuit breaker).
- **Check the operation of the emergency manoeuvre.**
- **Check the setting and function of the limit switch safety devices.**
- **Check the function of the safety microswitches on the lock** (if installed).
- **Check the access and operation of the power circuit breaker** (it must be located near the shutter).
- **Check the current consumption during operation and the operation of the thermal operator protection circuit breaker.**

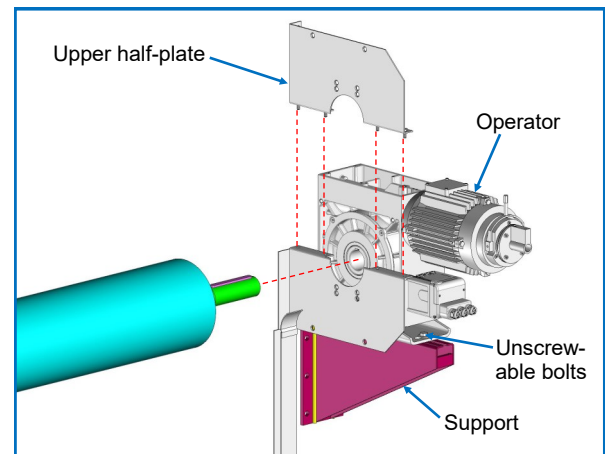
Removal instructions

On the box screen :

- Select **ADJUSTMENT** mode.
- Electrically raise the shutter by pressing on the (+) key and manually remove the final blade from the guiding rails.
- Lower the shutter completely out of the guiding rails by pressing on the (-) key.
- Disconnect the operator and controls.
- Remove the shutter completely.

Operator side (OS) :

- Disassemble the upper half-plate.
- Unscrew the operator and remove it.
- Disassemble the support.



Opposite side to the operator (OO) :

- Disassemble the upper half-plate.
- Unscrew the bearing.
- Remove the axis.
- Disassemble the support.
- Disassemble the guiding rails.

