

Manual : N° 7393

INSTALLATION

ACCESS FENCES

On existing posts or aluminum posts to be screwed or sealed



(Document reserved for installers)

Contents

Required equipment.....	p.2
Installation instructions.....	p.3
Mounting fence elements on existing posts	p.4
Mounting fence elements on aluminum posts to be screwed.....	p.6
Mounting fence elements on aluminum posts to be sealed.....	p.10

Required equipment

- | | | |
|--|-----------------|--|
| - Hammer drill | - Hammer/Chisel | - Tape measure |
| - Set of steel/concrete drill bits | - Spirit level | - Appropriate screws and pins for the supports |
| - Electrical screwdriver with end-pieces | - Plumb bob | - 46 mm shims |
| - Allen keys + Flat wrenches | - Hacksaw | |
| - Screwdriver | - angle gringer | |

Installation instructions



WARNING !

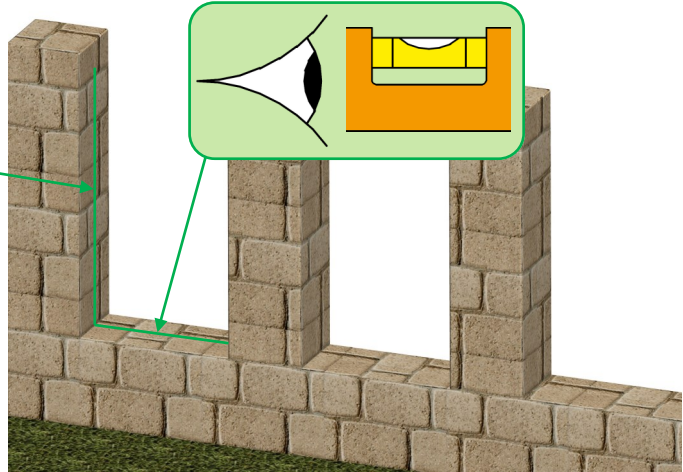
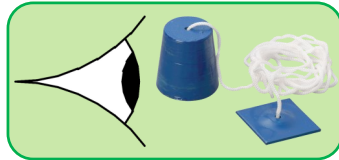
To ensure that this product is assembled, used and maintained in complete safety, it is important to follow the instructions provided in document. For everyone's safety, please observe the precautionary measures below.



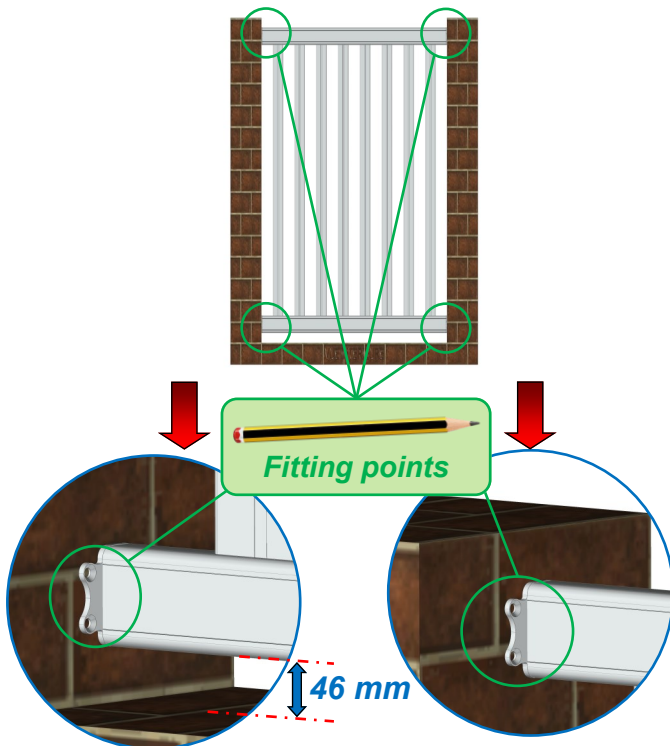
- * Before beginning the assembly, read this manual carefully.
- * This fence element must be installed by a professional technician.
- * All the parts delivered are specifically sized for this product. Adding and/or using other parts may be detrimental to safety and may affect the product's warranty.
- * Any modification or improvement of this fence element must be compliant with the standard EN 13241 + A2. In this case, a "modification/transformation" file must be created by the installer as per the standard EN 12635 annex C.
- * Use the appropriate tools to install these products.
- * Ensure that the assembly area is clear, clean and clearly marked out.
- * Ensure that no other people apart from the installers are present on the construction site. Non-authorized persons (children for example!) who are present at the site risk injury during assembly.
- * All the components of this fence element must be installed in compliance with the installation instructions provided in this manual.
- * All the requirements of the standards EN 13241 + A2 must be met and verified if necessary.

Mounting fence elements on existing posts

Before installing the fence element,
check :

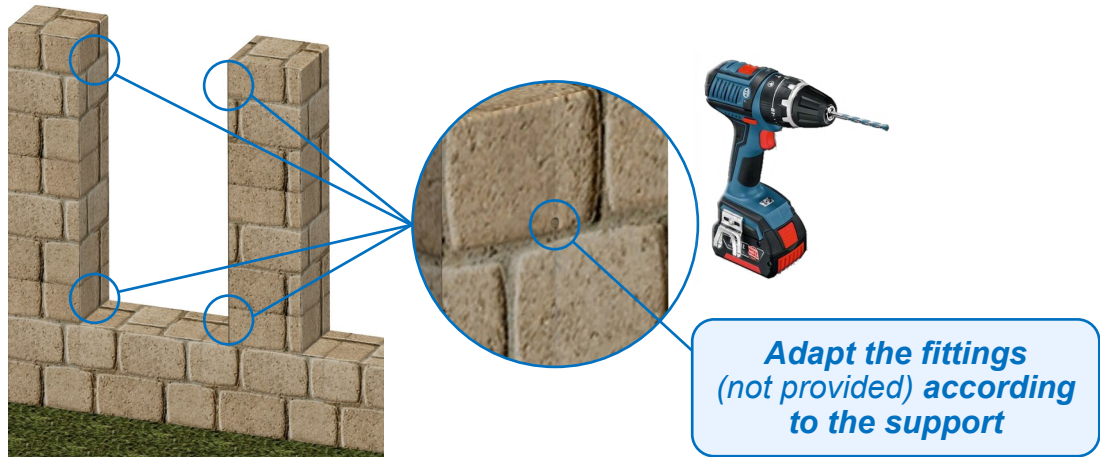


Position the fence element and mark the fitting points :

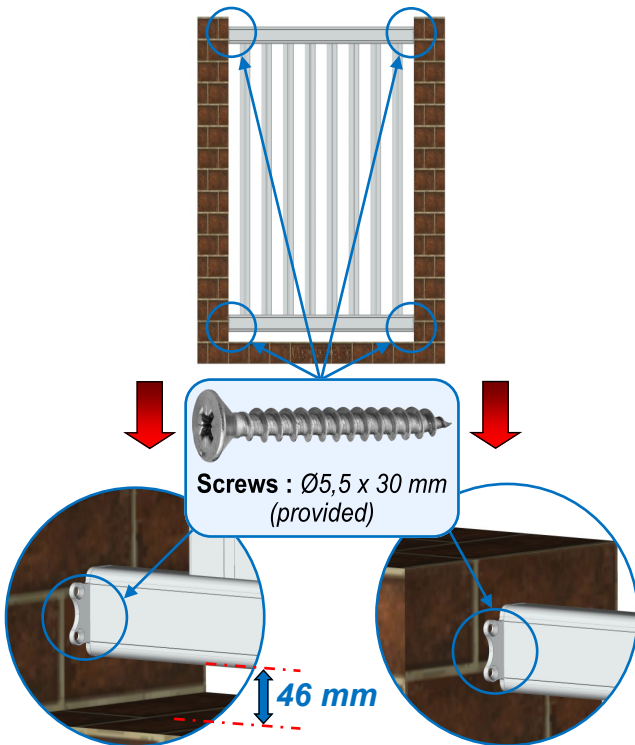


Then remove the fence element

Preparing the fittings :



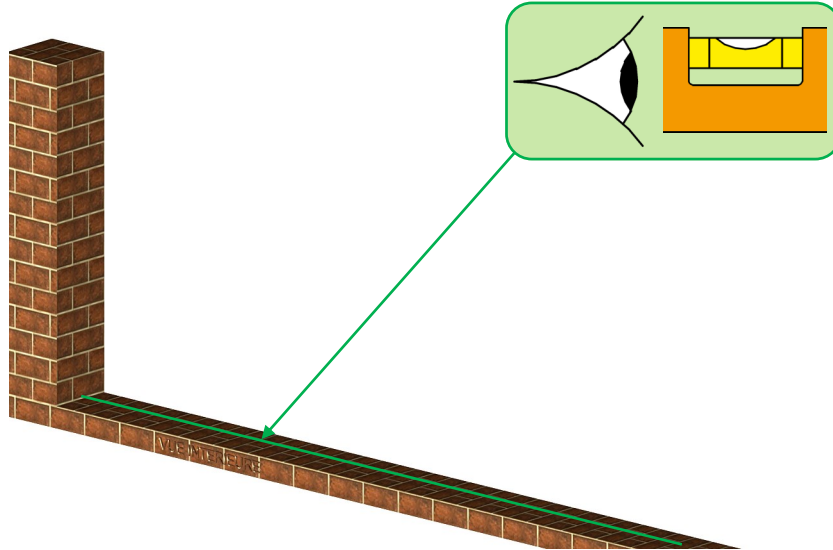
Reposition the fence element, according to the dimensions and attach it :



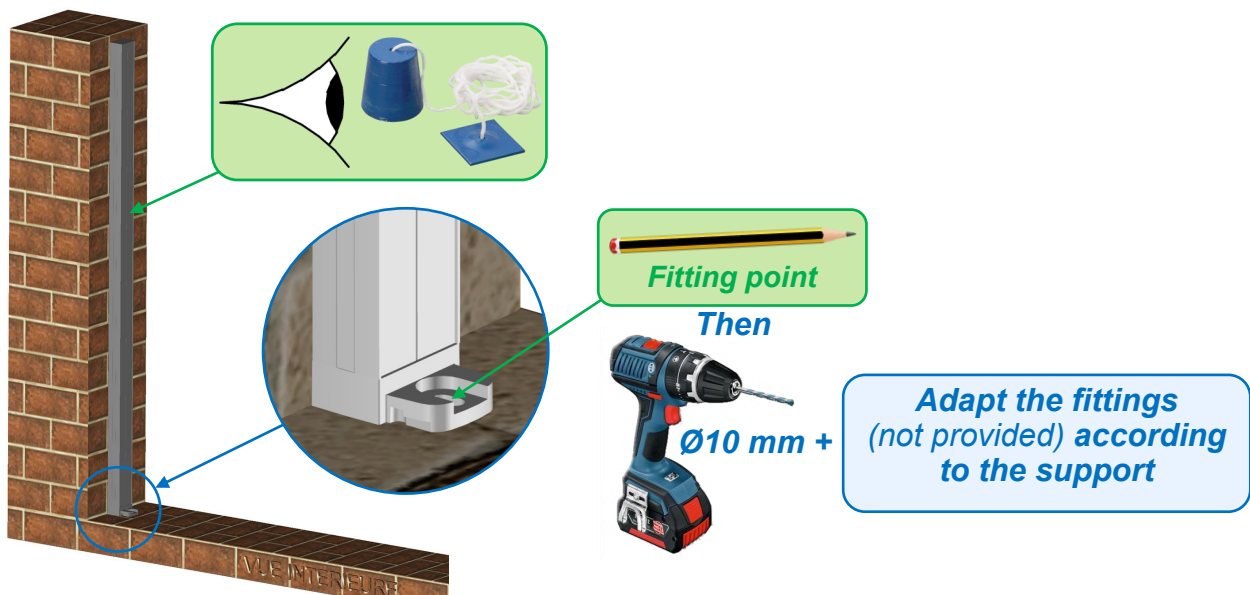
Repeat this process to install the rest of the fence elements.

Mounting fence elements on existing posts to screw

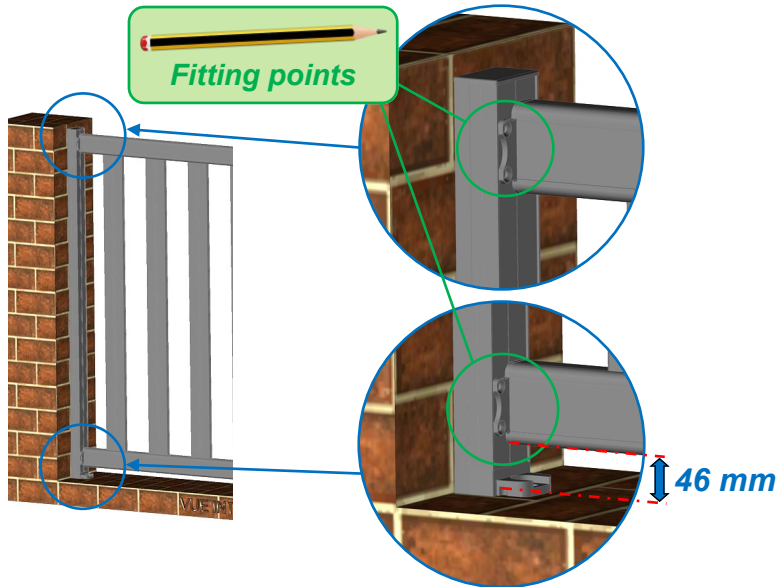
Before installing the fence element,
check :



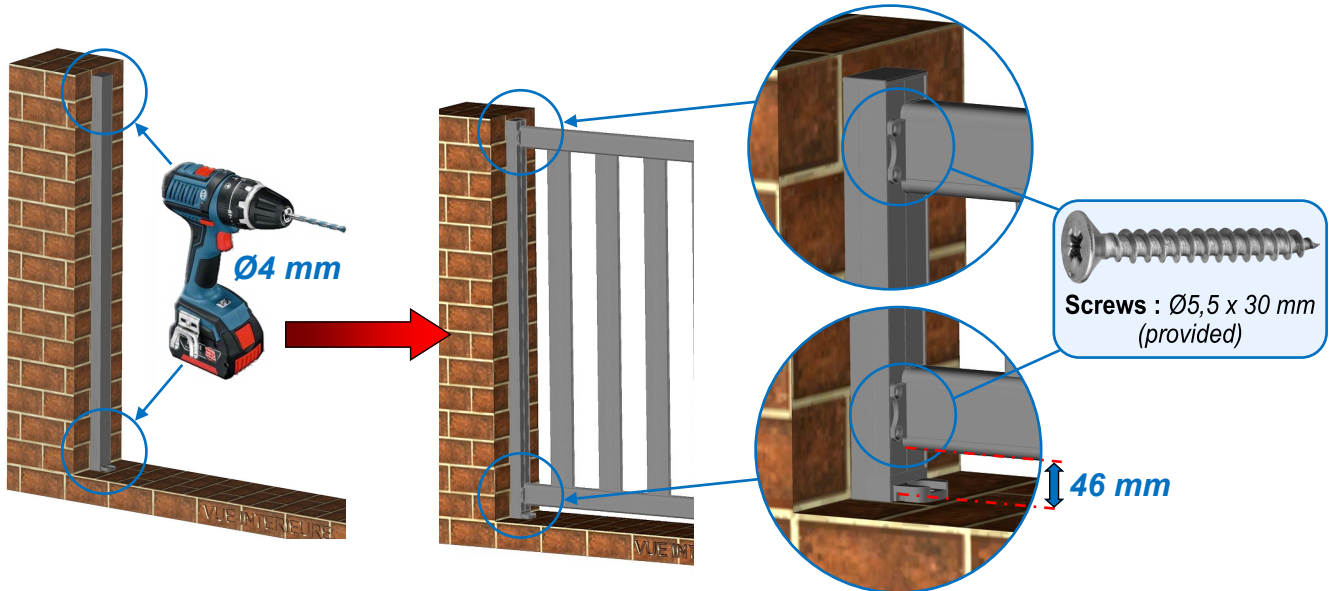
Install the 1st post :



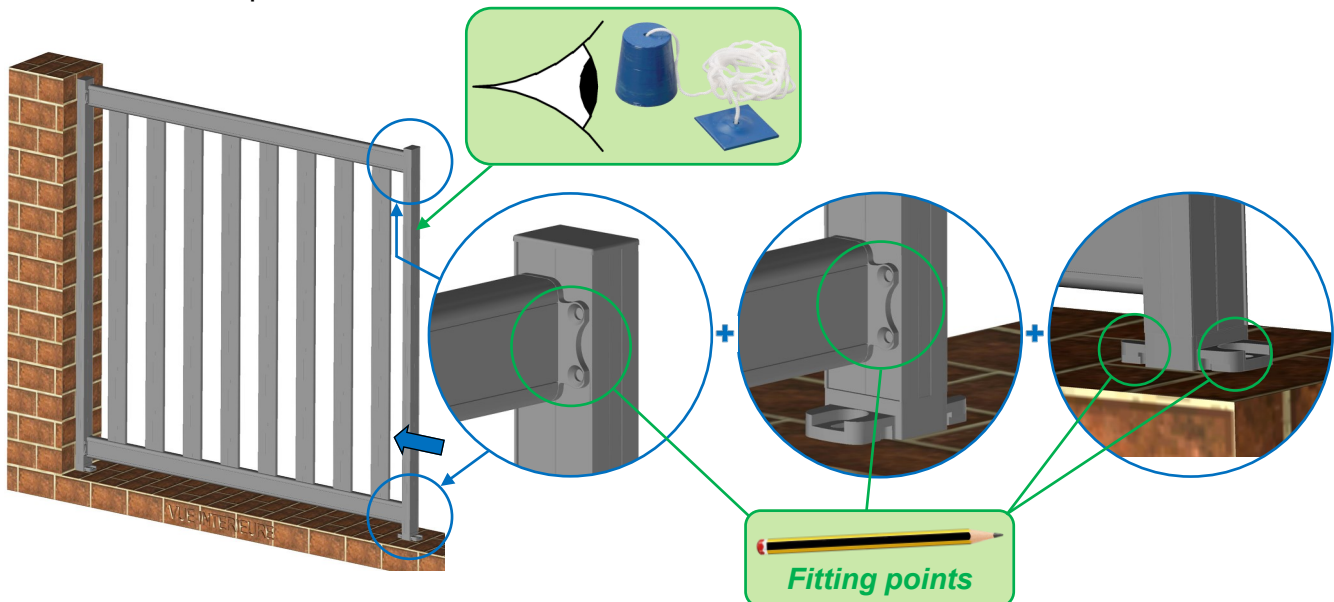
Mark the fitting points on the 1st post :



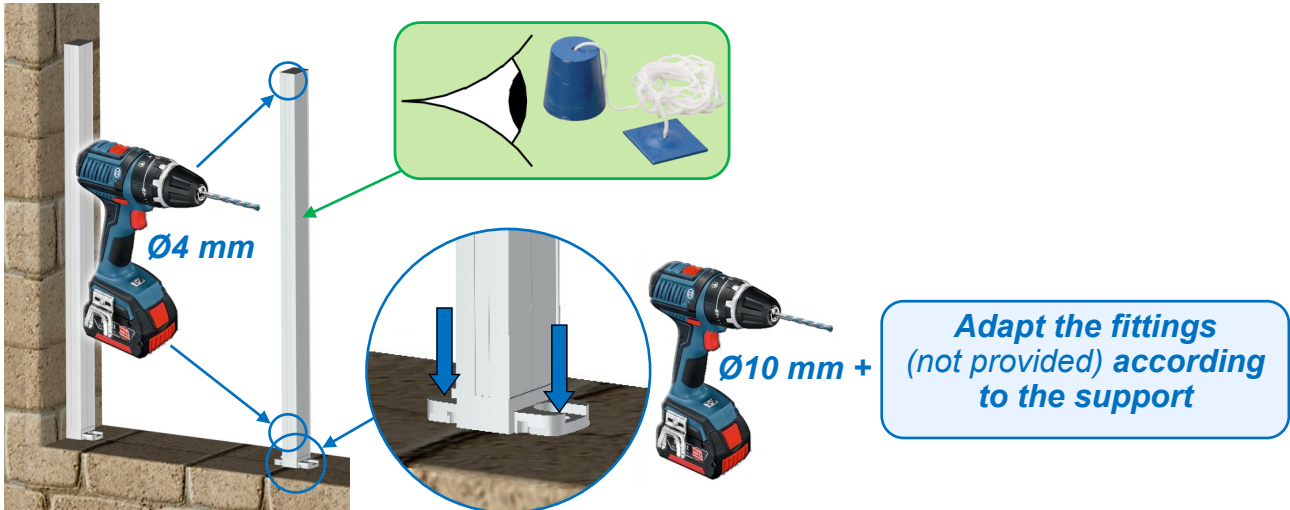
Drill the holes in the 1st post and secure the fence element with screws at the top :



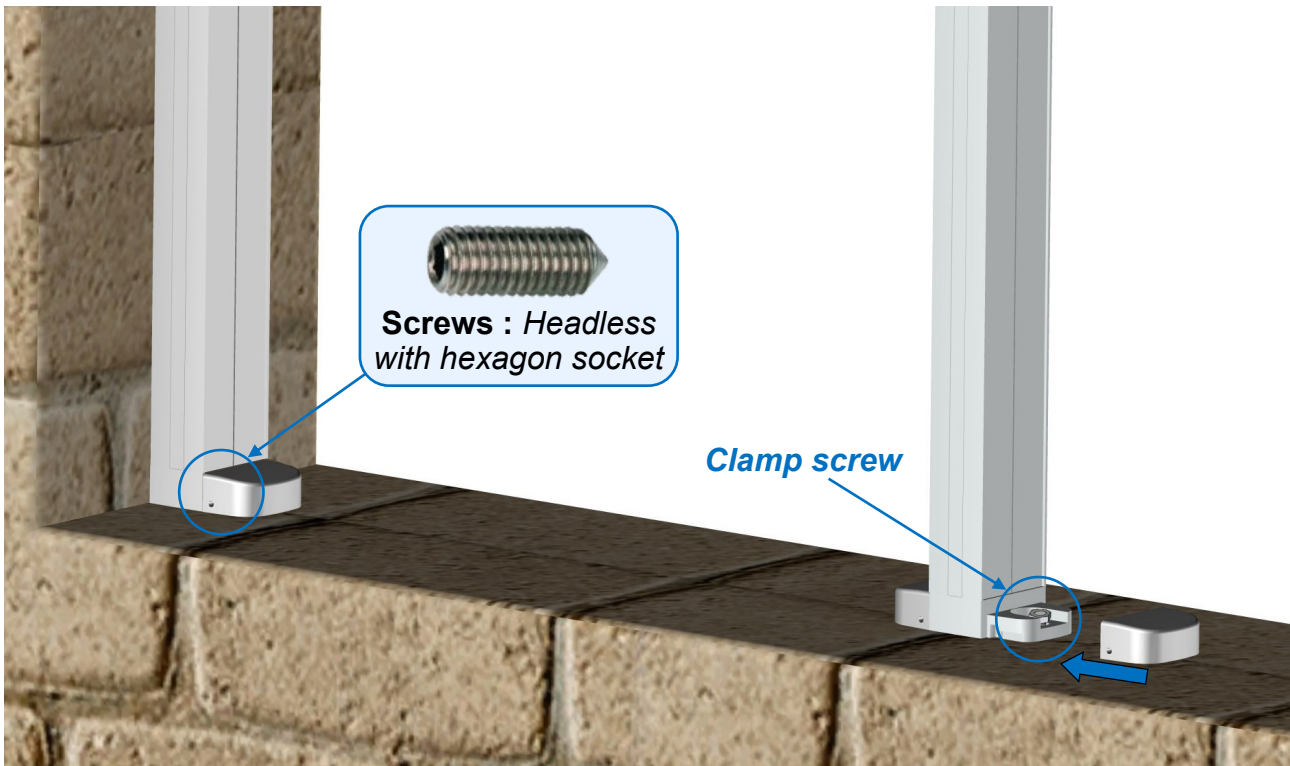
Install the 2nd post :



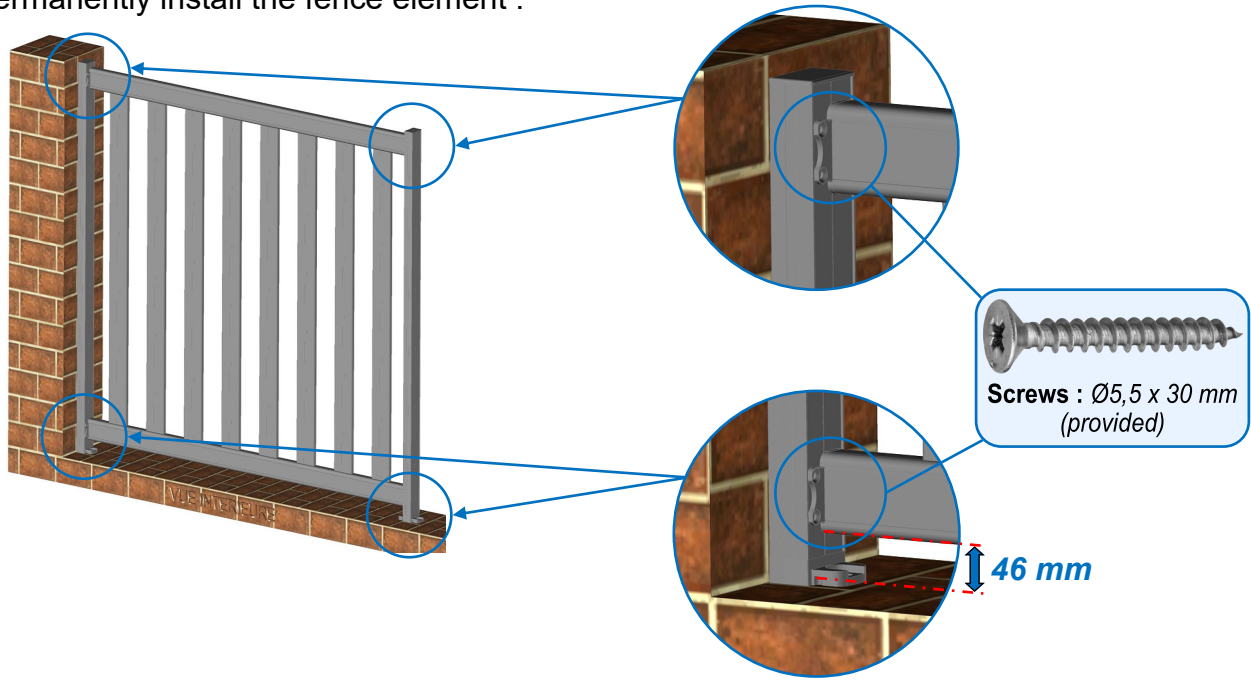
Unscrew and remove the fence element, in order to drill the holes :



Check the clamp screws on the 2 posts, they must not exceed the bearing plates then attach the screw covers :



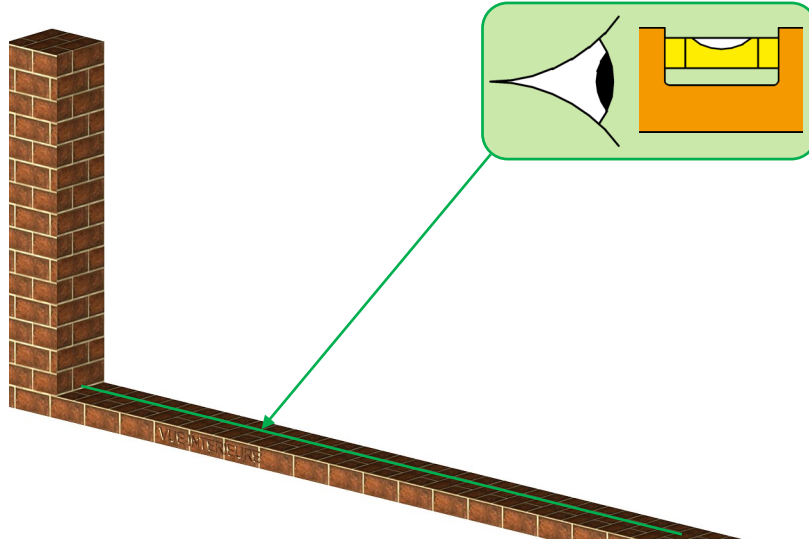
Permanently install the fence element :



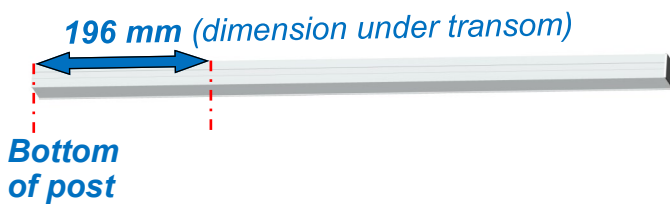
Resume from chapter : Drill the 1st post,
for the installation of the following fence elements.

Mounting fence elements on aluminum posts to seal

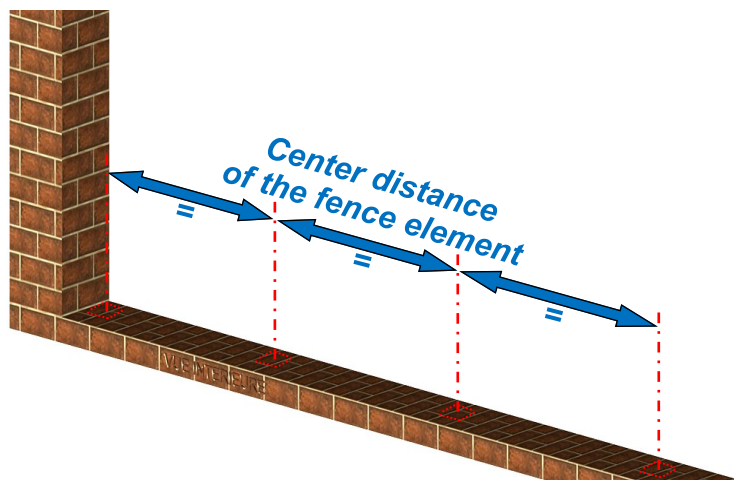
Before installing the fence element,
check :



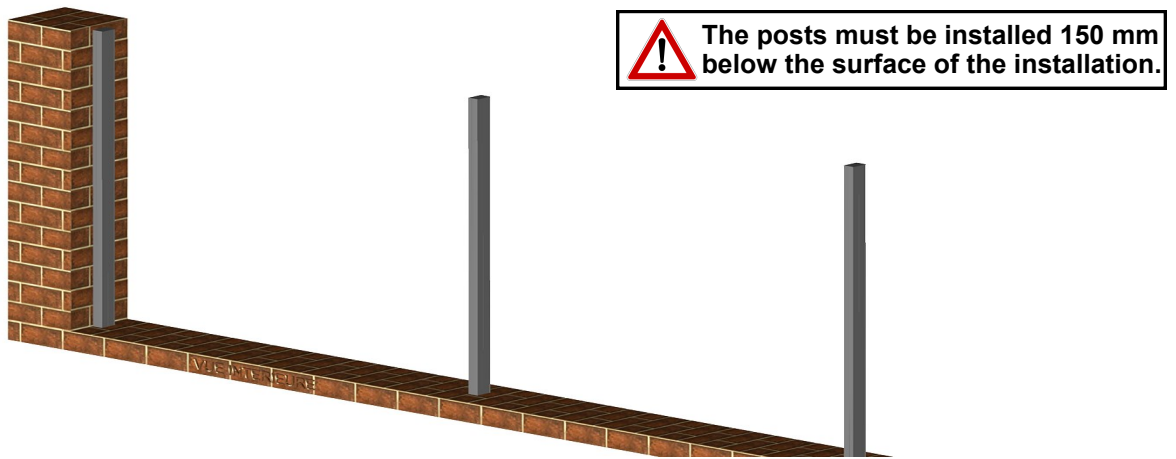
Draw a line, from the bottom of each post :



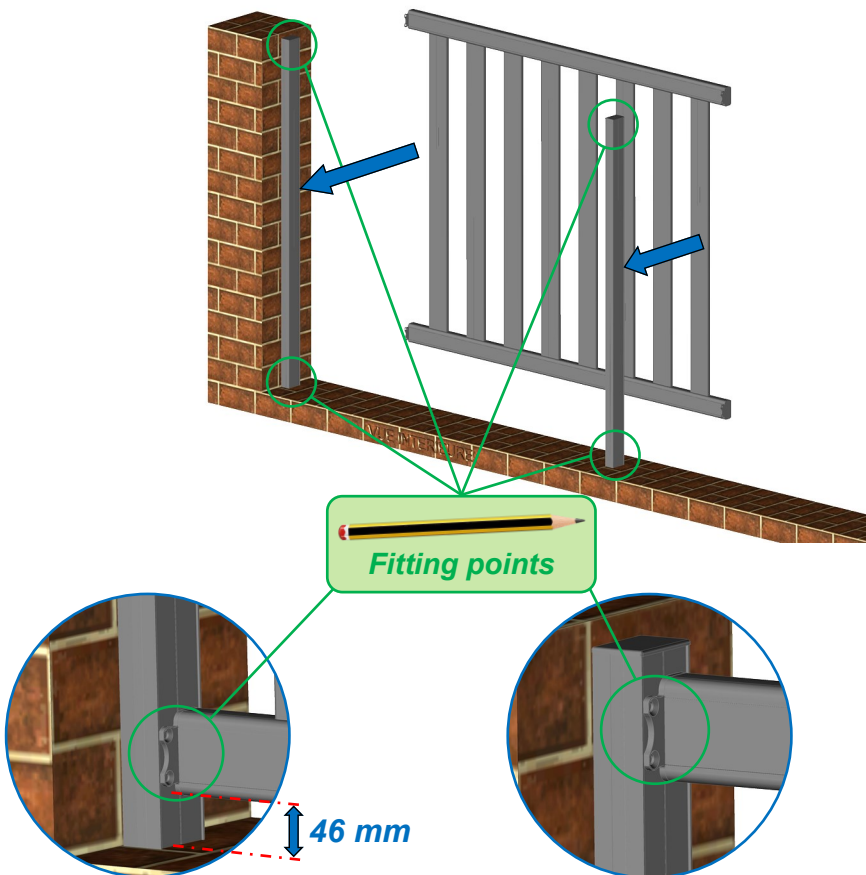
Mark the position of the posts on the installation surface according to the center distance of the fence element :



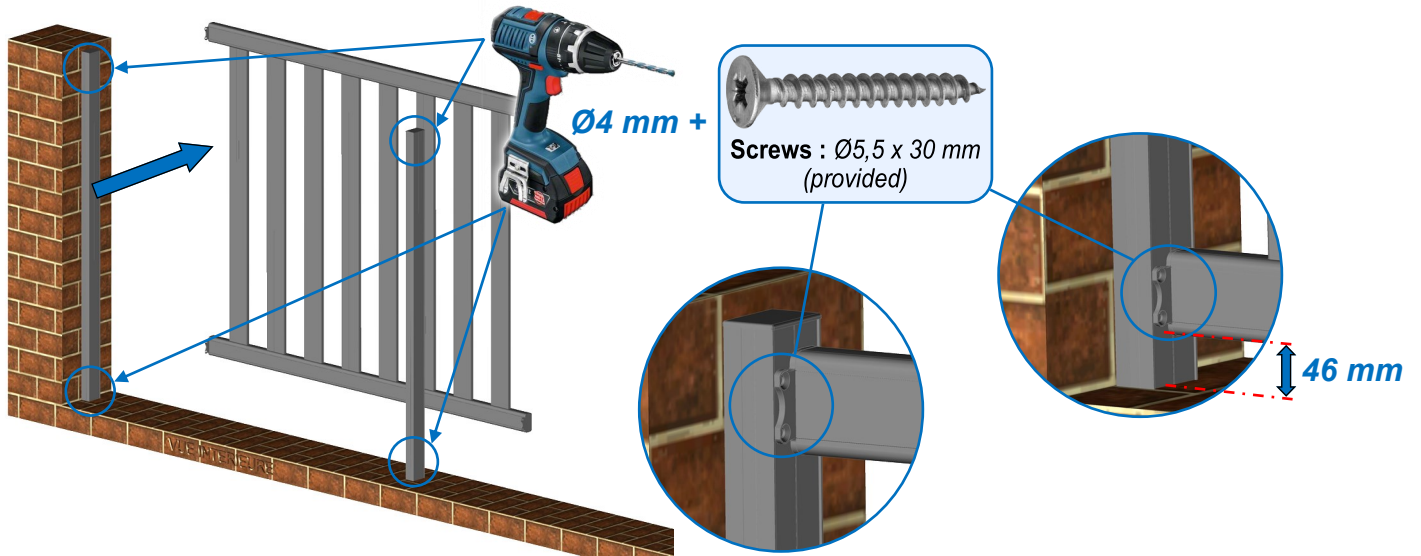
Drill the holes and position the posts, without sealing them :



Position the fence element and mark the fitting points :



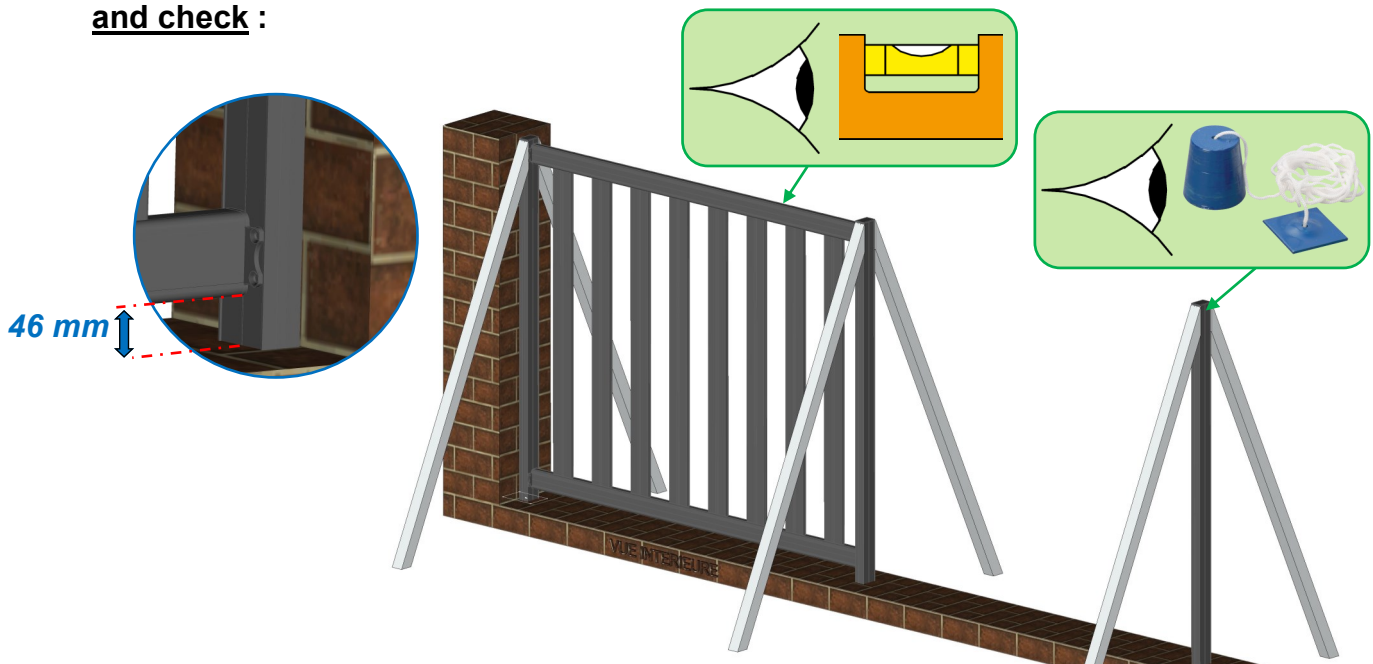
Remove the fence element in order to drill the holes, then screw the fence element onto the posts :



Support the fence element and repeat the process from the section :

Position the fence element and draw the fitting points, to fit the following fence elements.

Once the fence elements have all been attached, support the whole assembly **and check :**



Then seal all the posts

