

Installation & Connection manual

N°1033

06/20

SAFETYBOX

Wall-mounted with European cylinder

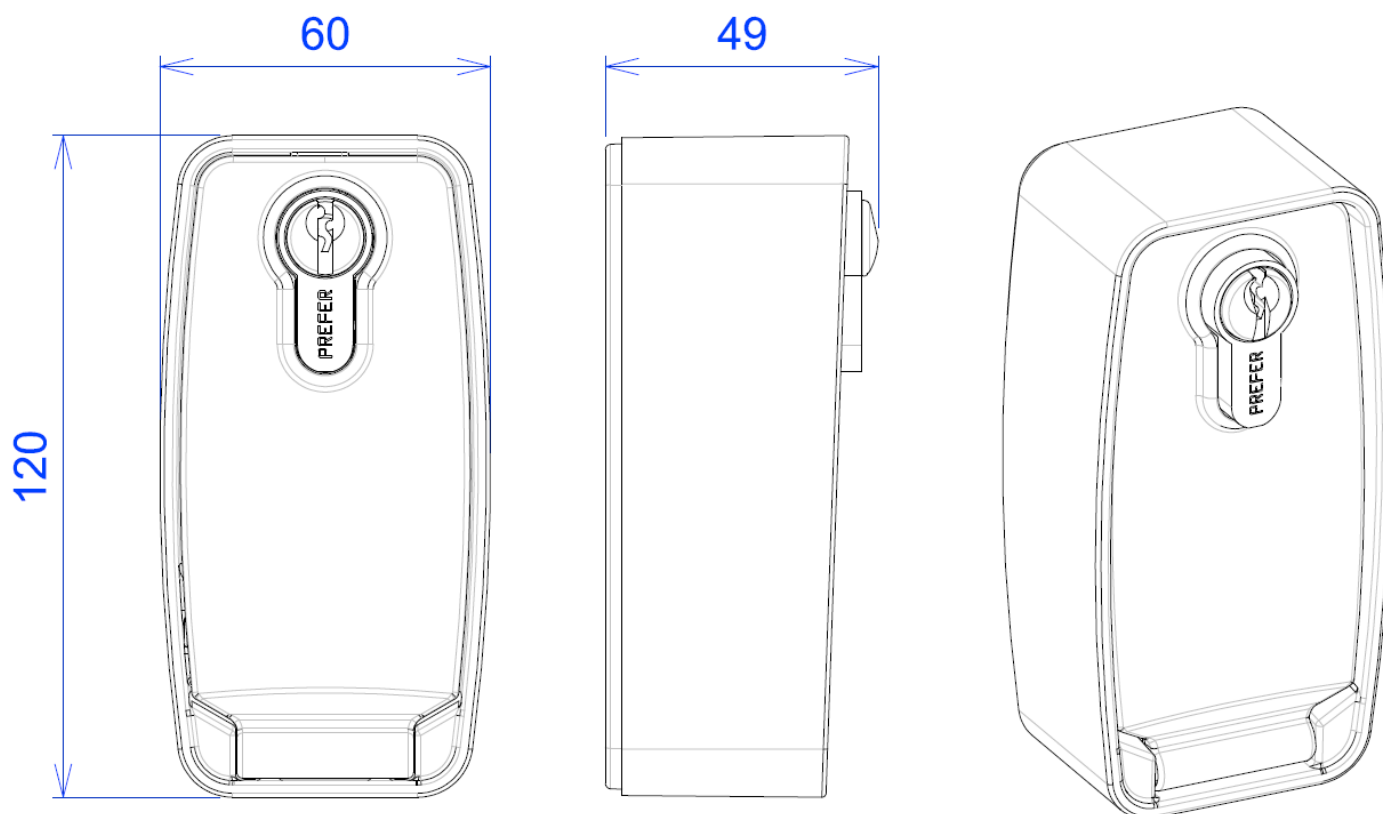
Only for Axial operator



IP40 box :

- Electrical connection only for indoor installation.
If installed outdoors, use a control device such as a sealed key switch box.
- Connections must be made by authorized persons.

Dimensional characteristics

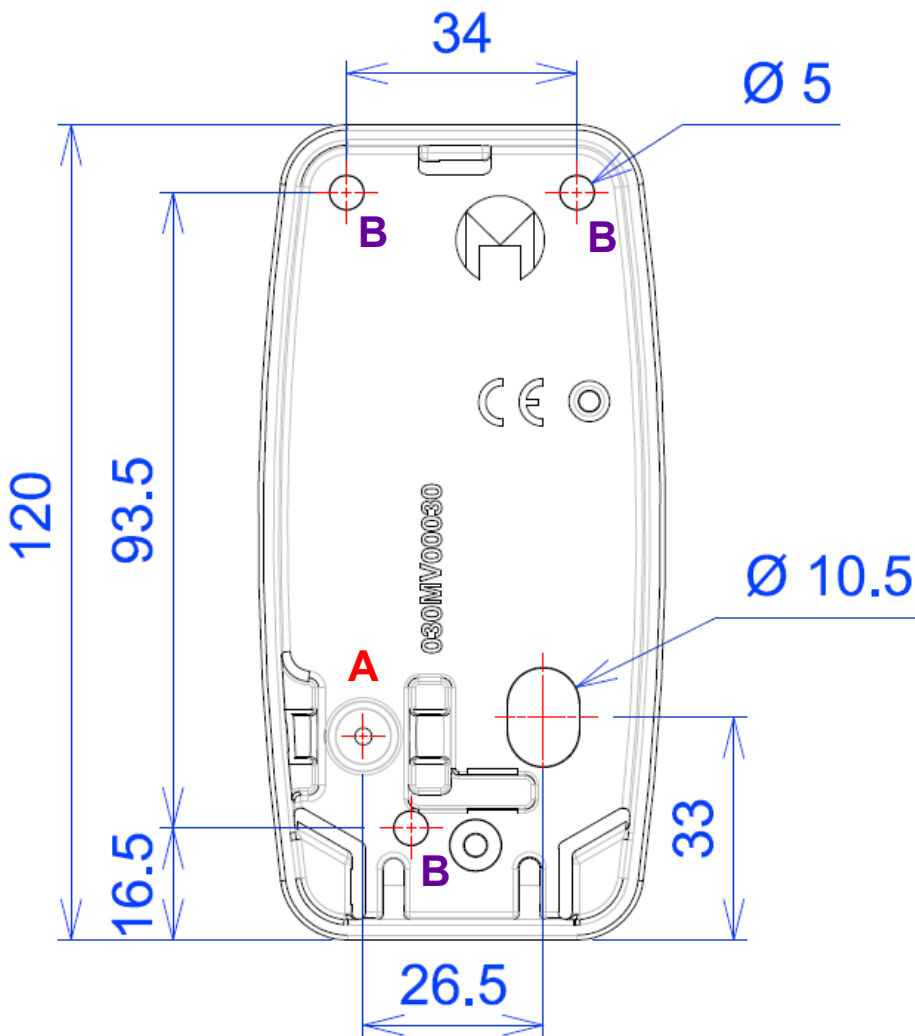


Wall-mounted box

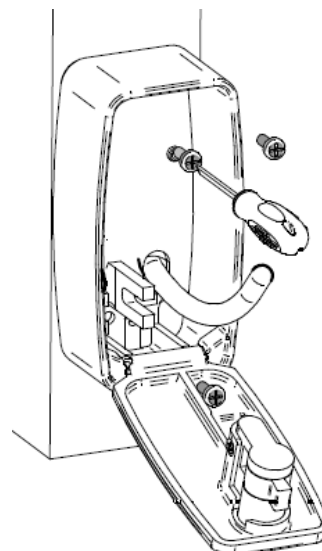
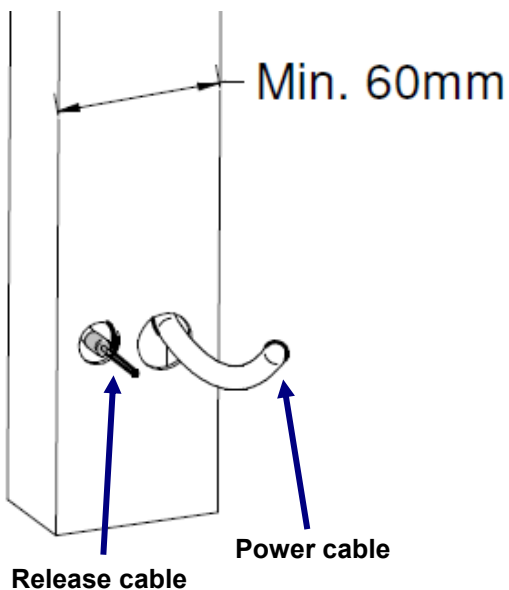
Min. support = 120 x 60 mm

(Document reserved for installers)

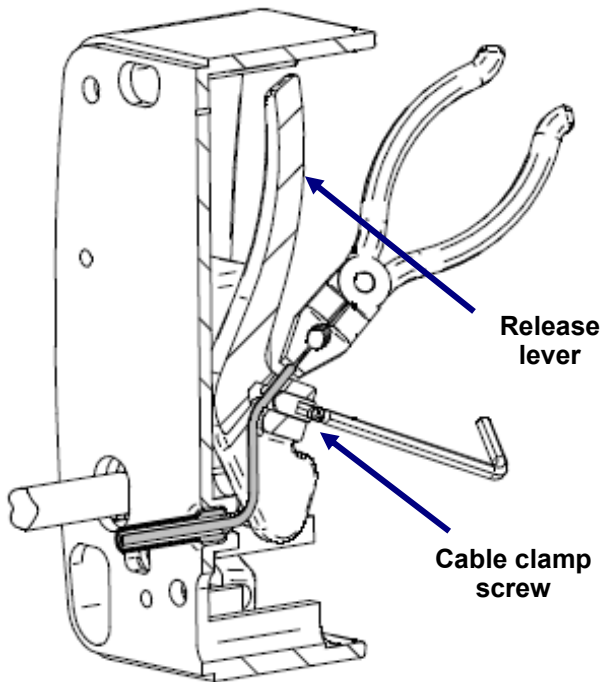
Housing attachment



- Open the cover of the box using one of the 2 keys provided.
- Remove the lever and switch.
- Mark the position of the holes by placing the housing against the profile. The housing must be mounted vertically, see diagram opposite.
- Drill the holes.
- Feed the release cable through hole **A**.
- Adjust the length of the release cable sheath to your installation. Make sure that the cable sheath is in contact with the housing.
- Pass the power cables through the support and feed them through the opening.
- Fix the release housing using the holes **B** according to the support (screw kit not included)



Release mechanism adjustment



- Pass the cable through the lever.
- Place the lever in its slot in the raised engaged position.
- While pulling on the release cable, tighten the STHC screw of the cable clamp firmly (2.5 hexagon wrench).
- Check the release mechanism of the operator by operating the release lever, without forcing it.
- If necessary, adjust the tension of the release cable by repeating the previous steps.
- Cut off excess release cable, if necessary.

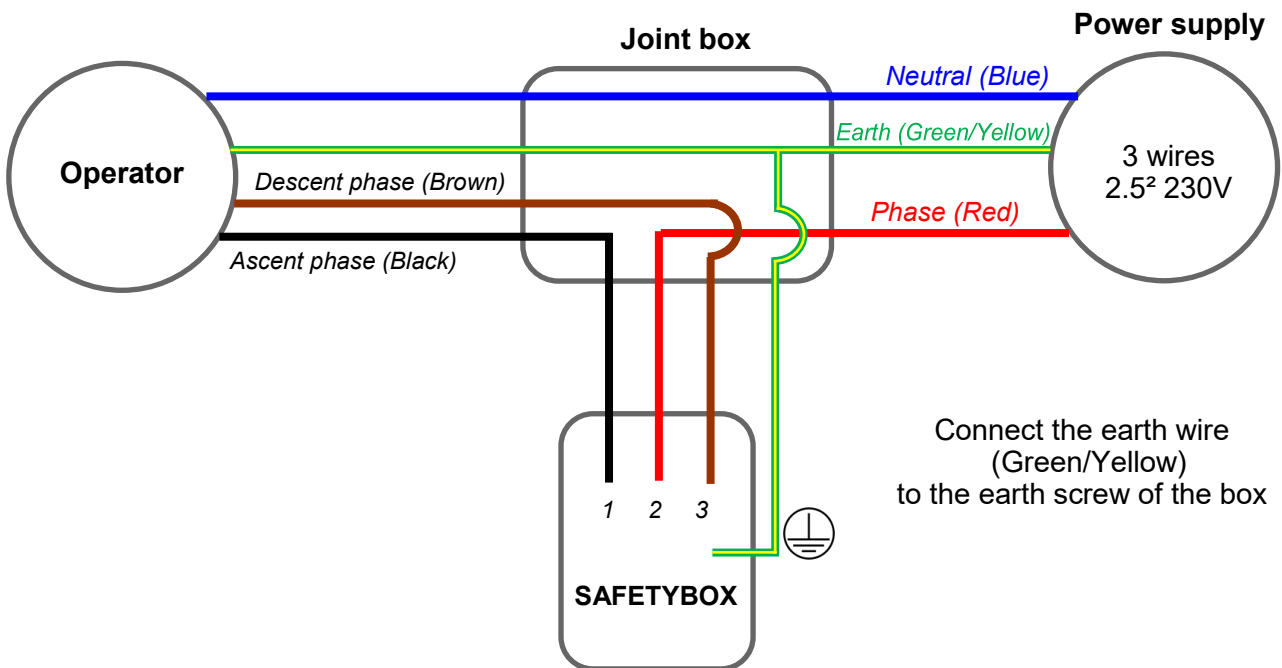
Electrical connection



IP40 box :

- Electrical connection only for indoor installation.
- If installed outdoors, use a control device such as a sealed key switch box.
- Connections must be made by authorized persons .

Electrical wiring diagram

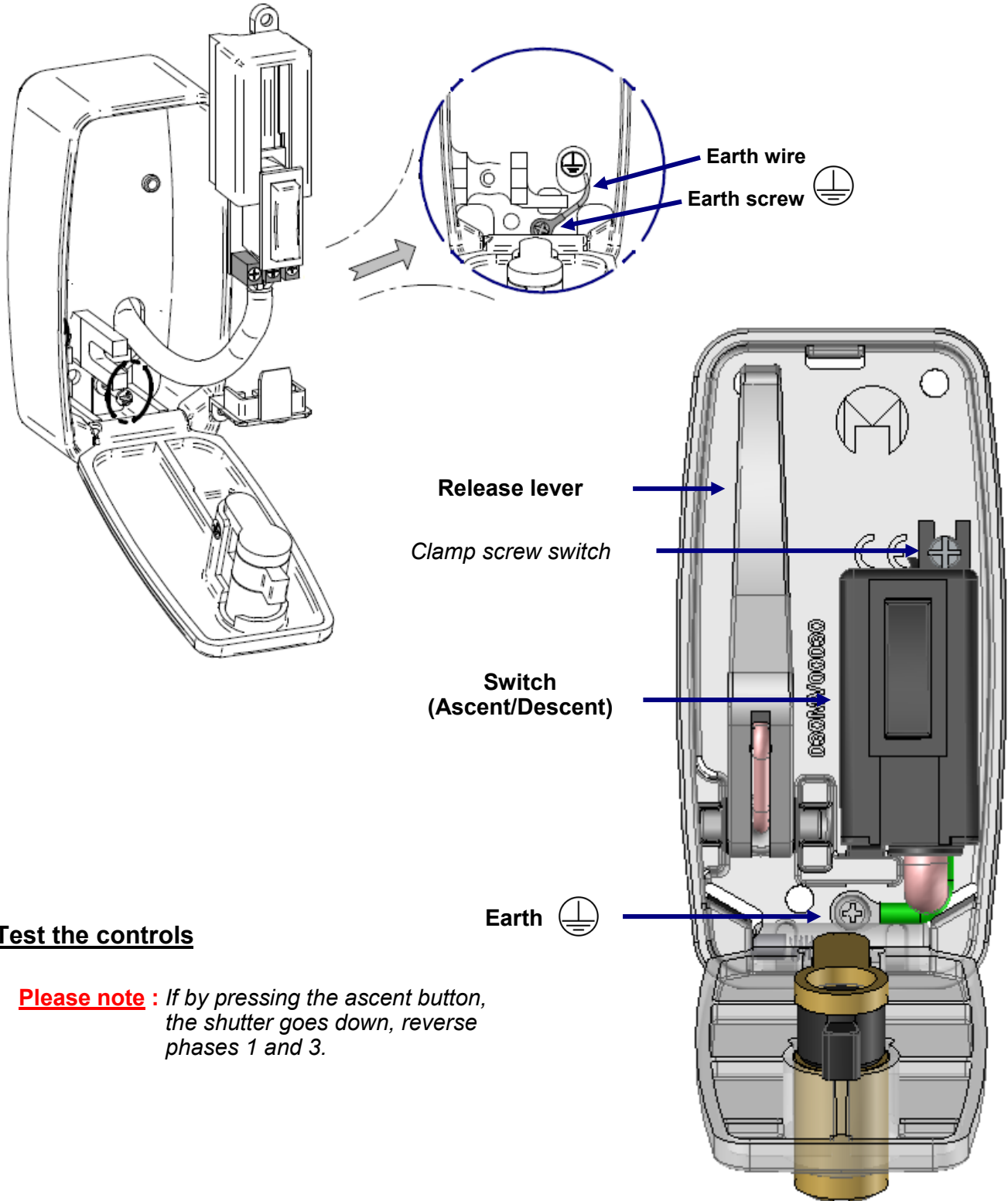


Electrical connection



IP40 box :

- Electrical connection only for indoor installation.
- If installed outdoors, use a control device such as a sealed key switch box.
- Connections must be made by authorized persons.



Test the controls

Please note : *If by pressing the ascent button, the shutter goes down, reverse phases 1 and 3.*

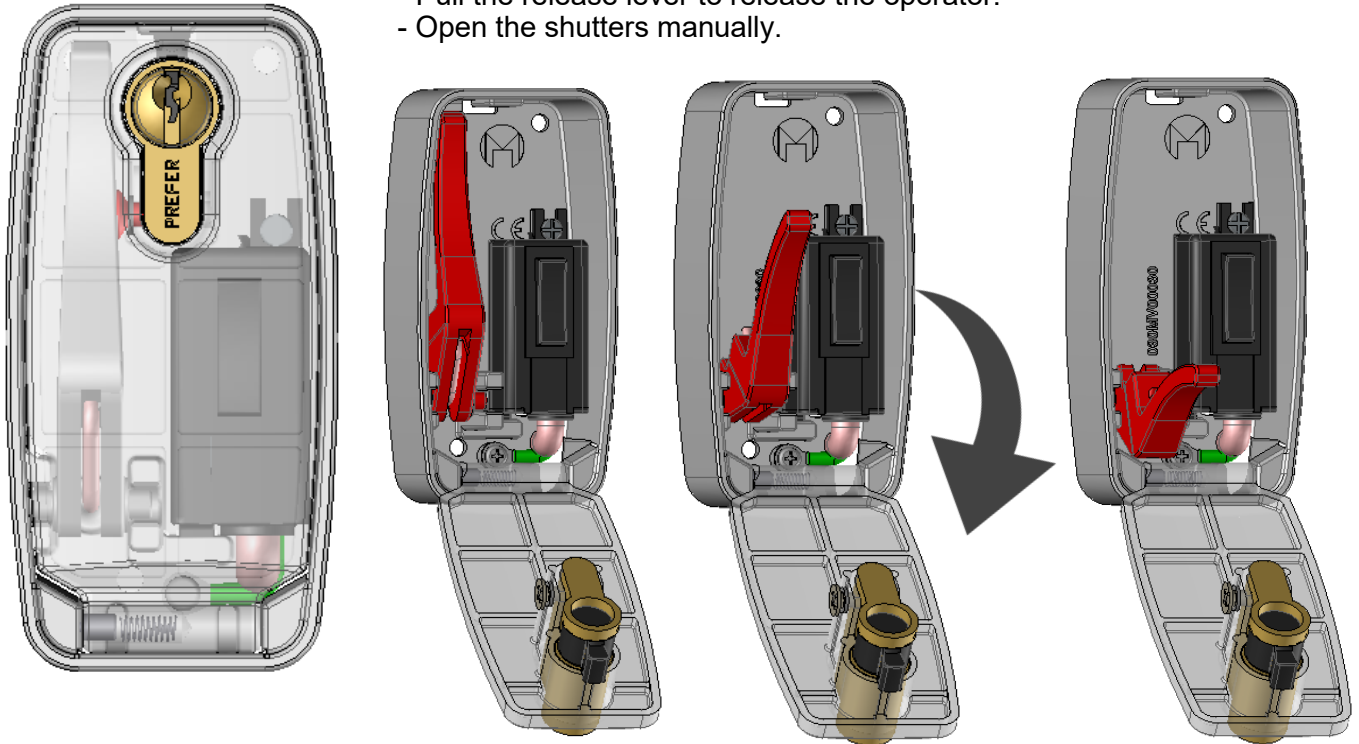
Changing the cylinder



- Unscrew and keep the TF M5x12 screw and the fan washer that holds the 30+10 cylinder .
- Install the 30+10 cylinder supplied as an accessory with the countersunk screw and washer previously removed.
The cylinder opens with the product's other cylinders.

Release mechanism

- Insert the key into the cylinder on the front of the box .
- Turn the key and open the front of the box.
- Pull the release lever to release the operator.
- Open the shutters manually.



Engagement procedure

- Engage the operator by raising the release lever.
- Check that the ascent and descent controls are functional.
- Shut the front of the box and turn the key to close the box.

