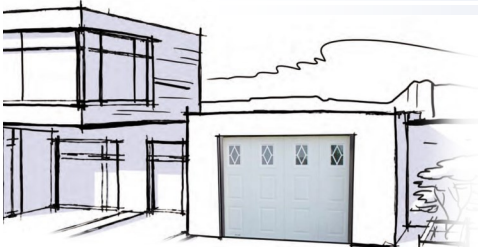
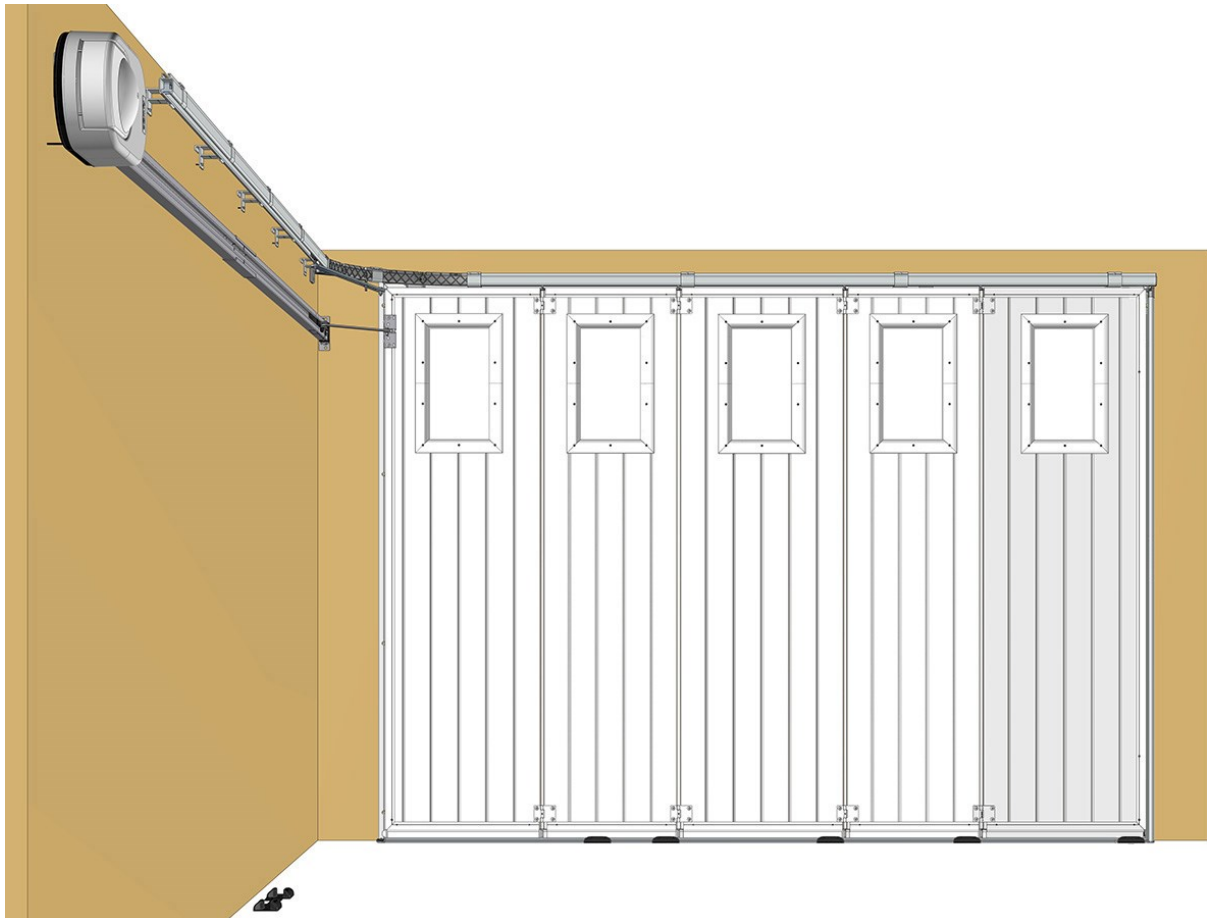


# Manual: No. 7079 **INSTALLATION**

## *Residential garage doors*



*Side-sliding with frame  
and without Wicket door*



**(Document reserved for installers)**

# Contents

Required equipment .....	p.2
Installation instructions .....	p.3
Checking of surfaces .....	p.4
Common assembly for all types of reservations .....	p.4 to p.21
- Support frame .....	p.4
- Opening frame.....	p.8
- Bay-side rail.....	p.9
- Shutter stop.....	p.13
- Shutter.....	p.14
- Installing the panels.....	p.18
- Opening.....	p.19
Assembly for reservation 175 (Motorized) or 225 (Manual) ≤ OSR ≤ 585 mm .....	p.22
- Multi-position arm.....	p.22
Assembly for reservation 585 ≤ OSR ≤ 1,000 mm. ....	p.23
- Extension.....	p.23
Finishes for all types of reservations .....	p.24 to p.30
- Bay side.....	p.24
- Opening side.....	p.28
- Options .....	p.28
Assembly for opening reservation 1,000 mm < OSR ≤ right-hand opening.....	p.31
- Preparing the motorization.....	p.31

## Required equipment

- |                                      |  |
|--------------------------------------|--|
| - Spirit level or laser level        | - Electric screwdriver with torque limiter       |
| - Tape measure                       | - Square end-piece SQ2 (provided)                |
| - Lubricant spray                    | - Cross-head, Hexagonal Torx end-pieces of 30 mm |
| - Utility knife                      | - Screwdriver                                    |
| - Mallet                             | - 2 Trestles                                     |
| - Silicone sealant (recommended)     | - Ladder   |
| - Clamps                             | - Shims provided (kit no. 601): 15 x 8.5 mm      |
| - Hammer drill                       | - Shim not provided: thickness 10 mm             |
| - Drill bits                         | - Flat wrenches                                  |
| - Suitable pins and screws           | - Pencil   |
| - Hammer                             | - Riveting pliers                                |
| - Steel drill bit: max. length 30 mm |  |

# Installation instructions

## **CAUTION!**



To ensure that this product is assembled, used and maintained in complete safety, it is important to follow the instructions provided in this document. For everyone's safety, please observe the precautionary measures below.



- \* Before beginning the assembly, read this manual carefully.
- \* This closure must be installed by a professional technician.
- \* All the parts delivered are specifically sized for this product. Adding and/or using other parts may be detrimental to safety and may affect the product's warranty.
- \* Any modification or improvement of this closure must be compliant with the standard EN 13241-1 + A2. In this case, a "modification/transformation" file must be created by the installer as per the standard EN 12635 annex C.
- \* Use the appropriate tools to install these products. Ensure that the work is carried out on a stable floor.
- \* Ensure that the assembly area is adequately lit, clear, clean and clearly marked out.
- \* Ensure that no other people are present at the assembly site apart from the installers. Non-authorized persons (children for example!) who are present at the site risk injury during assembly.
- \* All the components of this closure must be installed in compliance with the installation instructions provided in this manual.
- \* All the requirements of the standards EN 13241-1 + A2 must be met and verified if necessary.

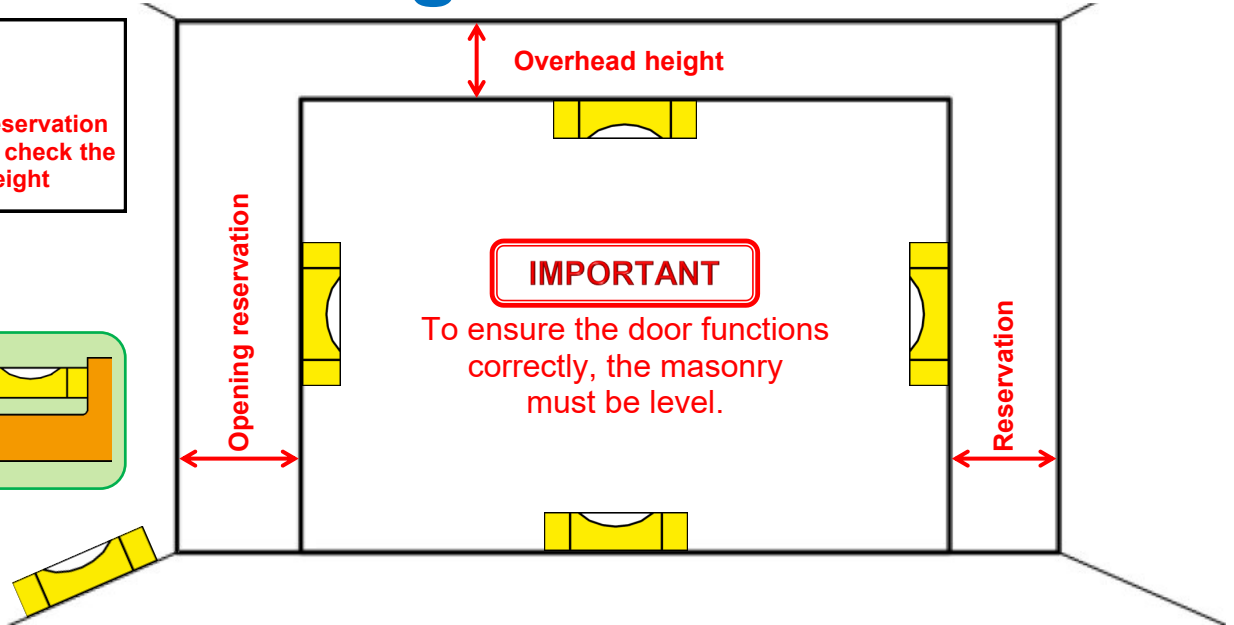
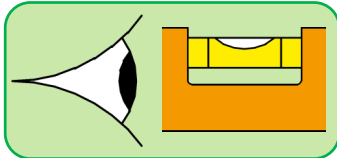
### **Max. locking torque:**

- Assembly screw: **10 Nm**
- Shutter assembly screw: **12 Nm**

### **Min. working load per square bracket: 40 daN**

# Checking of surfaces

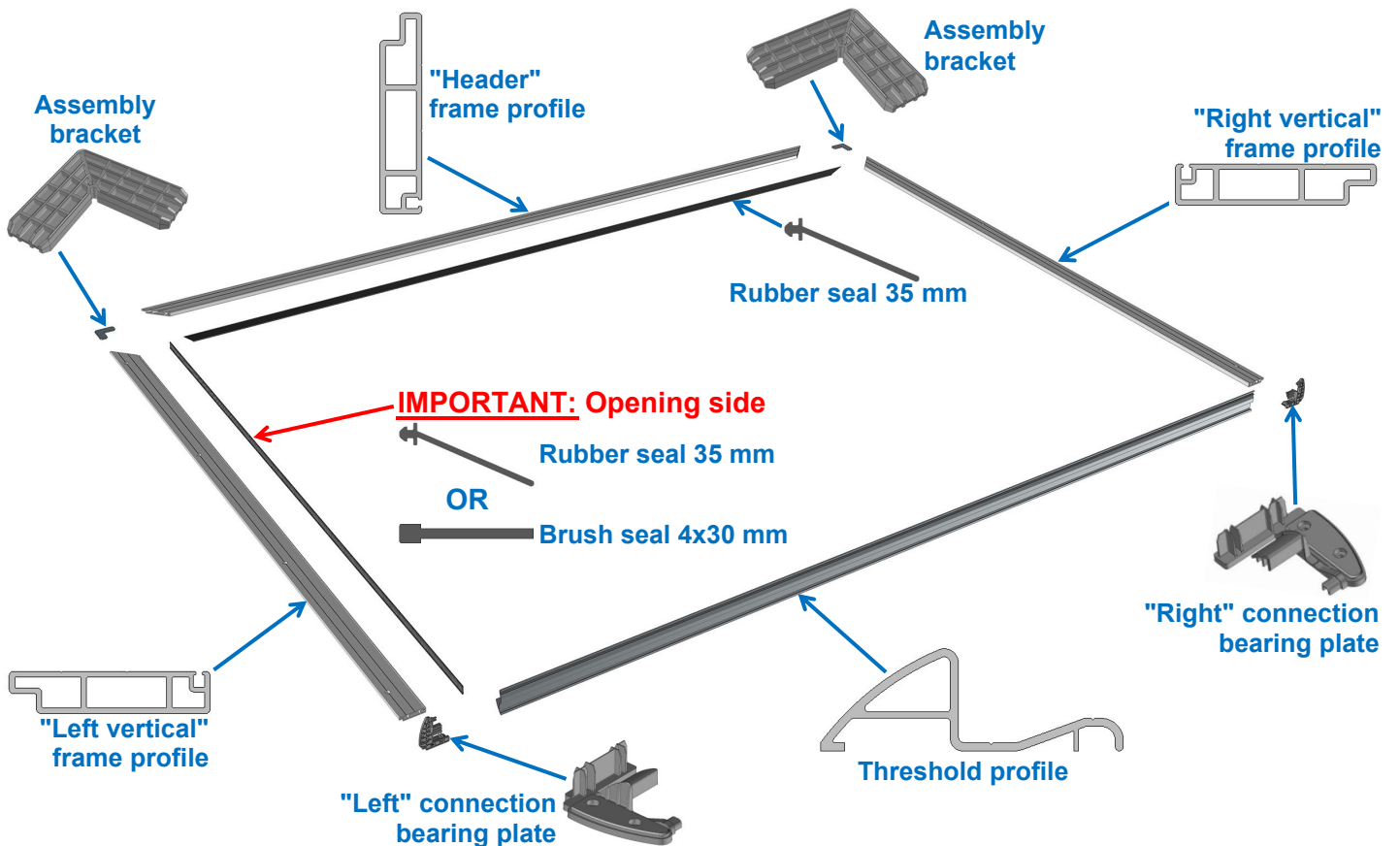
  
Check that the reservation areas are flat and check the overhead height



## Common assembly for all types of reservations

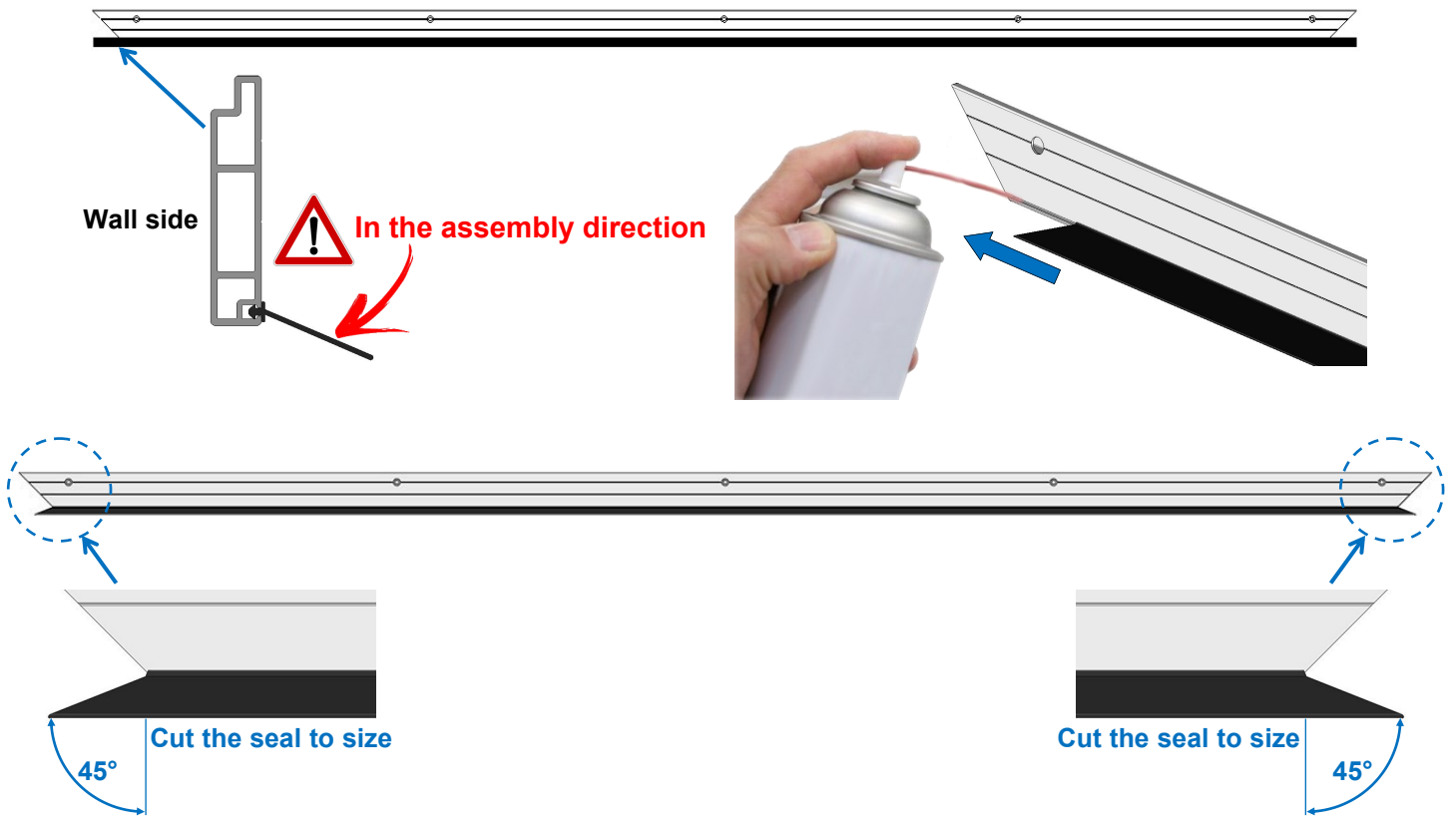
### Support frame

#### Parts required

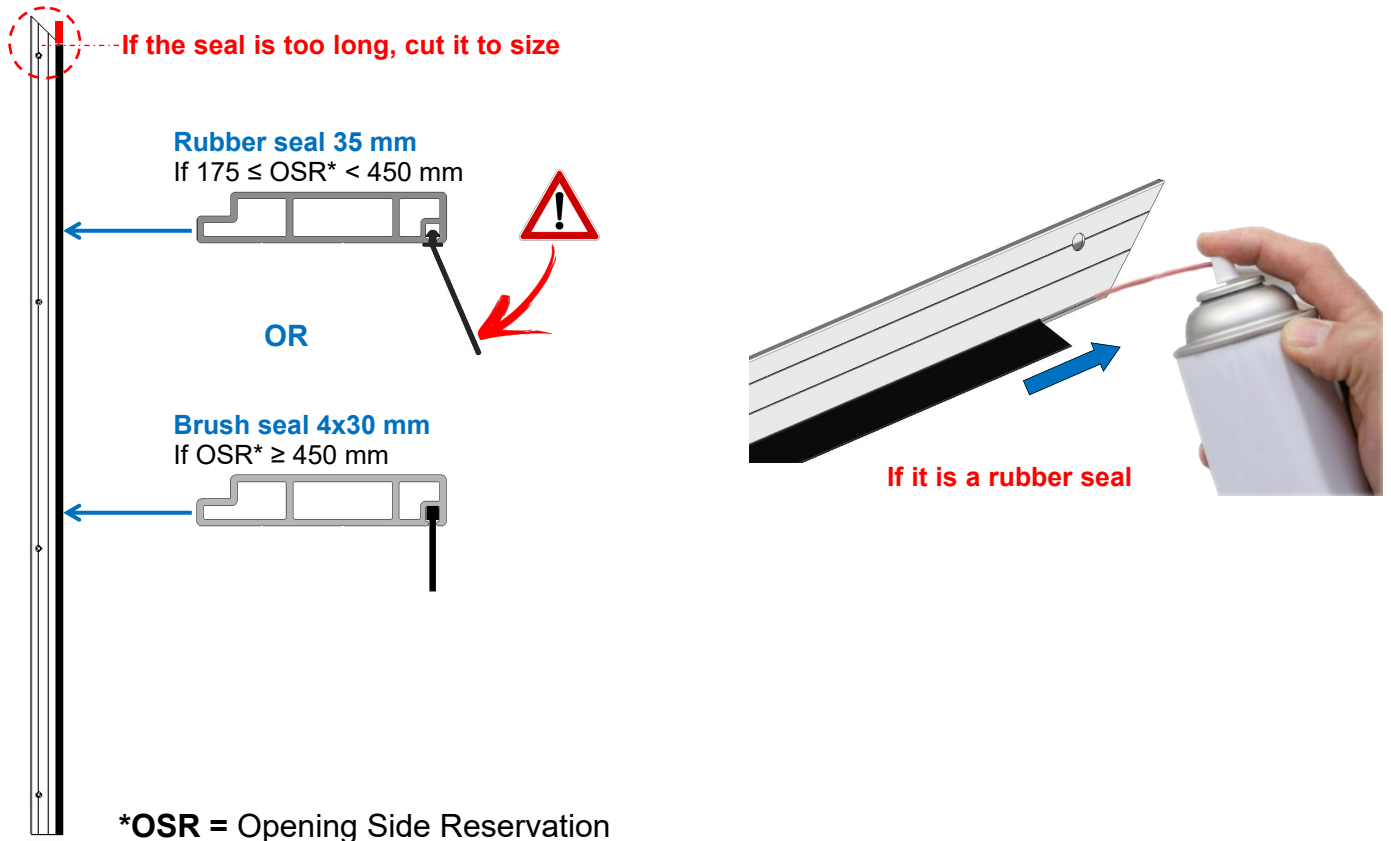


## Assembling and cutting the seals

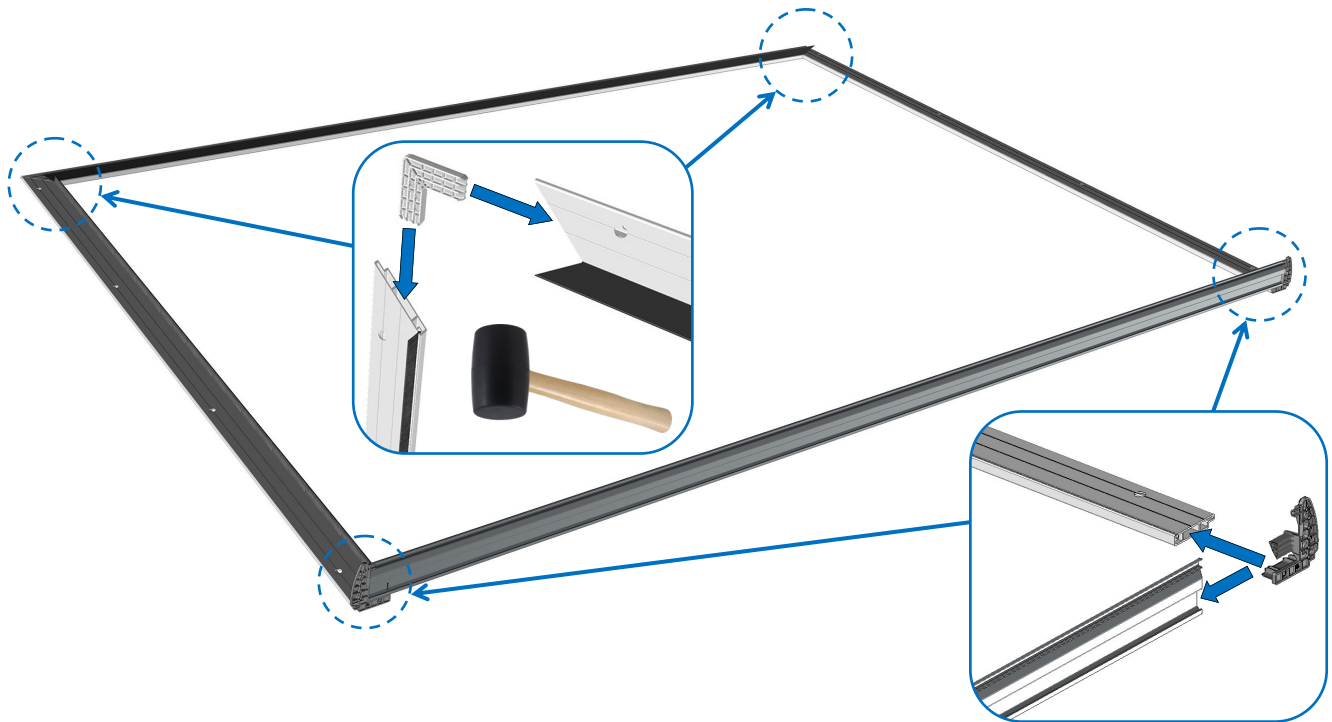
- **On the header:** Rubber seal 35 mm



- **Opening side:**



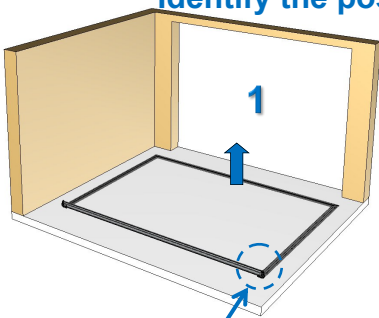
## Assembling the frame on the floor



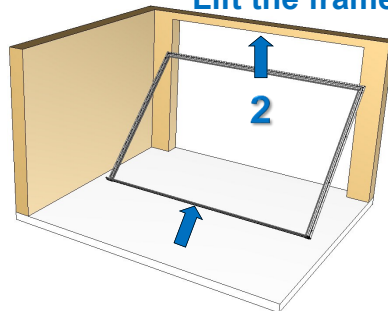
## Installing the frame

- Center the frame in the bay:

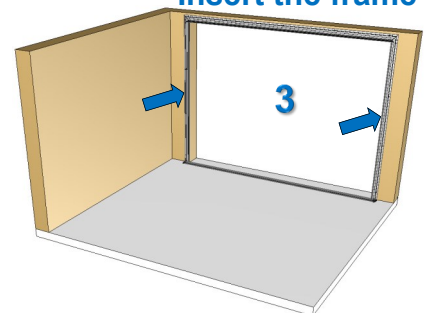
Identify the position



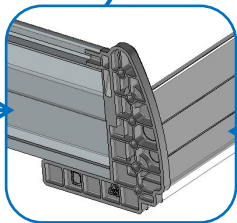
Lift the frame



Insert the frame



Threshold



Vertical profile

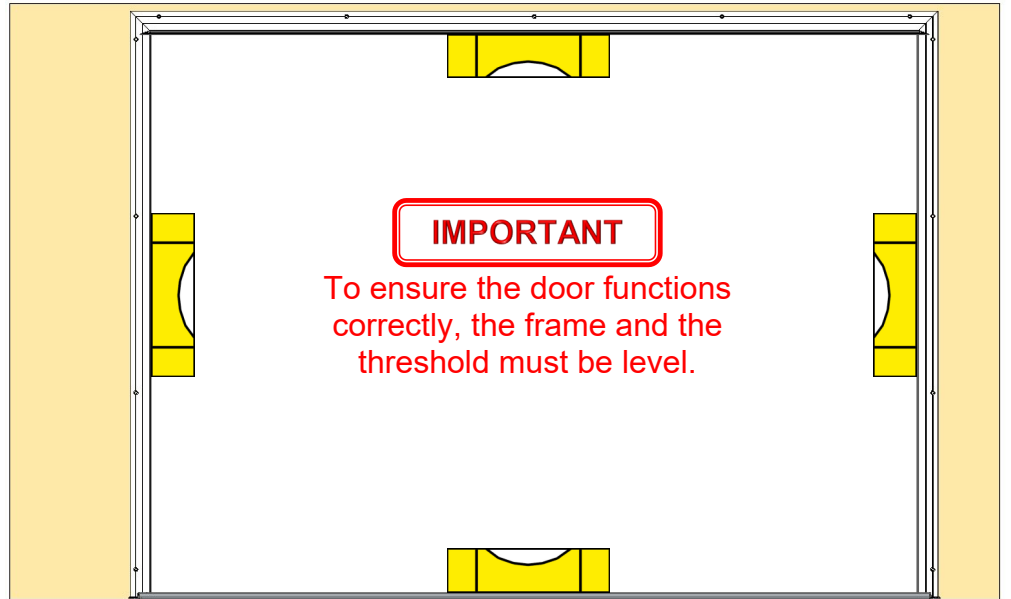
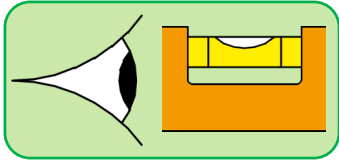


**Tip:**

Apply some **silicone sealant** to ensure it is properly sealed (silicone not provided).

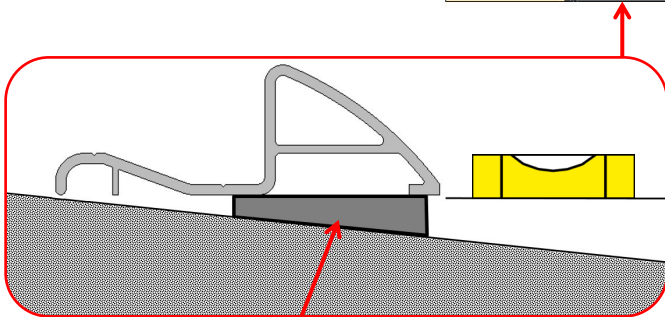


• **Position the frame and ensure it is level:**



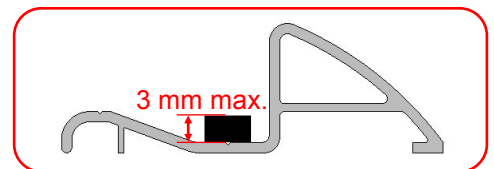
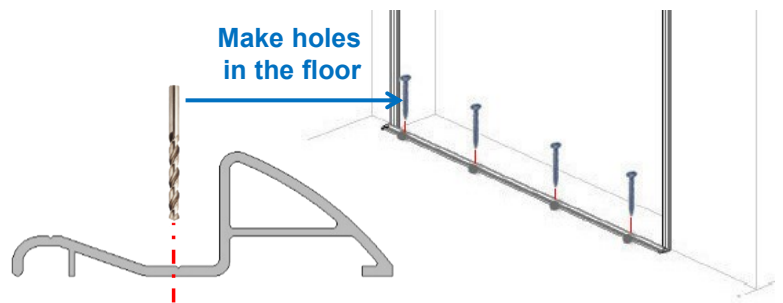
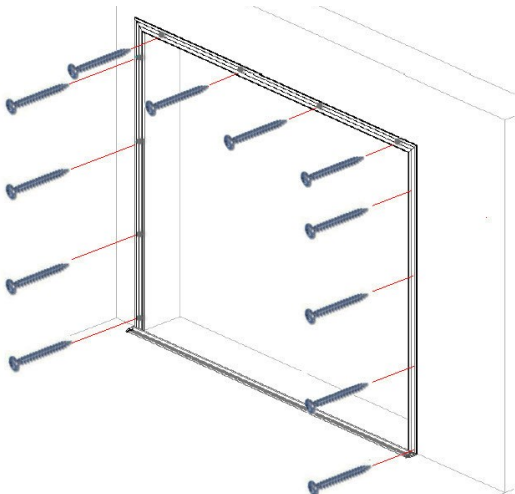
**IMPORTANT**

To ensure the door functions correctly, the frame and the threshold must be level.



Insert shims under the threshold if necessary.

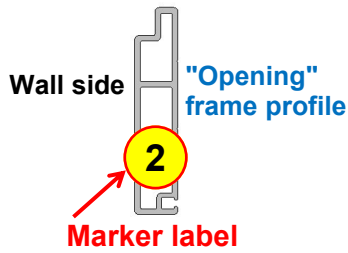
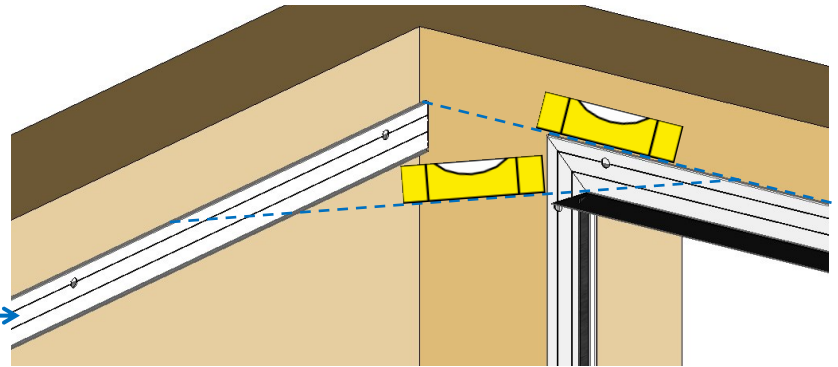
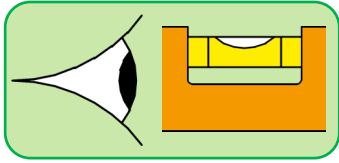
• **Attach the frame:** Screws not provided



The striking pins must not exceed a height of 3 mm.

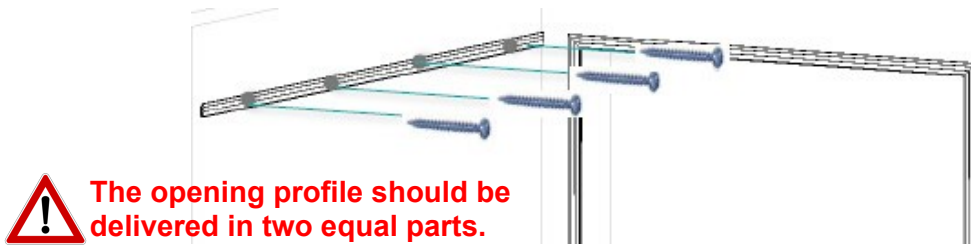
# Opening frame

- Position the opening profile and ensure it is level:

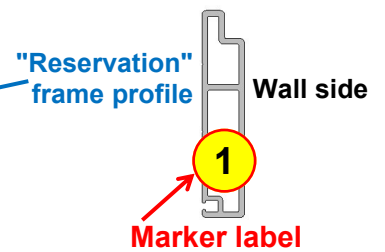
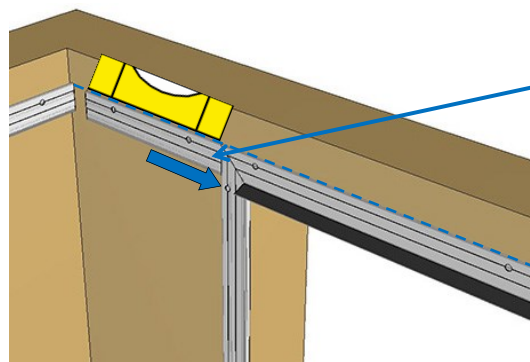
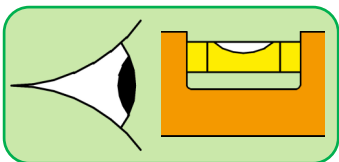


**Please note:** Does not apply to right-hand opening

- Attach the opening profile: Screws not provided

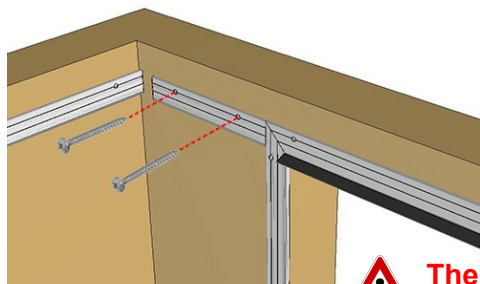


- Position the reservation profile and ensure it is level:



If OSR > 400 mm and Right-hand opening

- Attach the reservation profile: Screws not provided



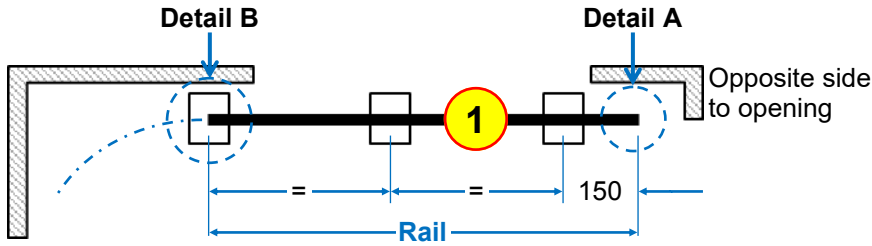
**The reservation profile should be delivered in two equal-sized parts.**



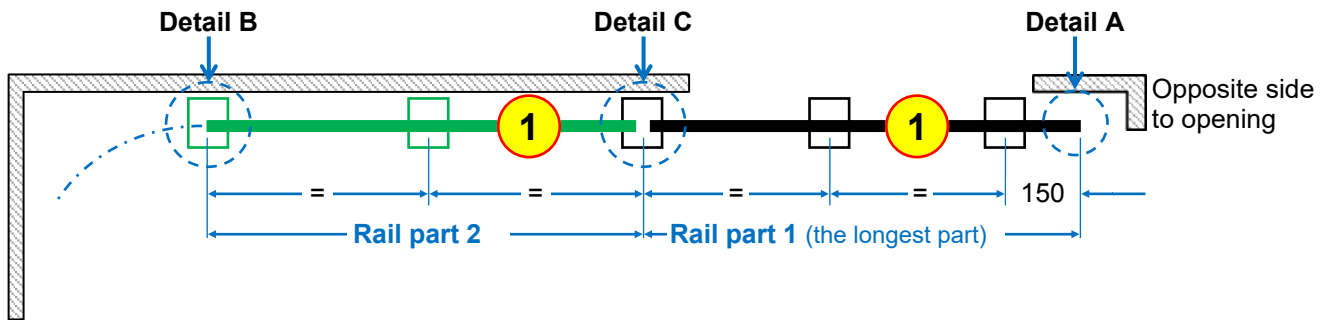
# Bay-side rail

## Assembling the "top guiding rail" on the floor

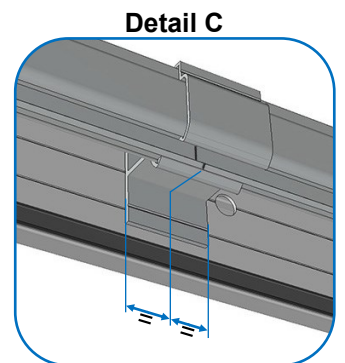
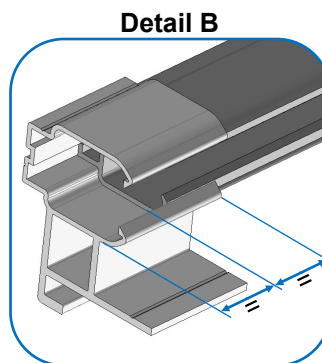
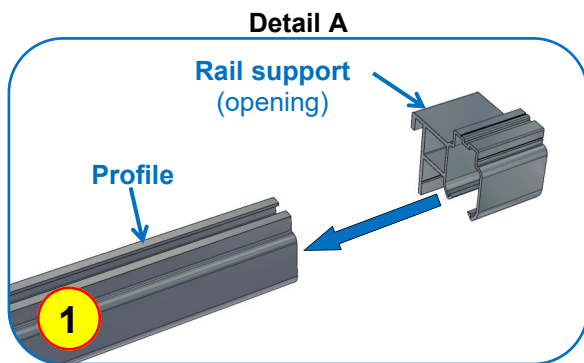
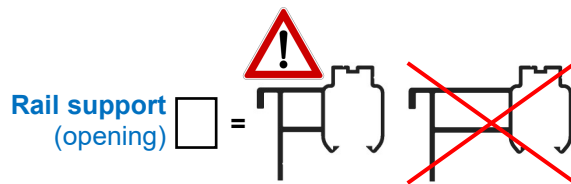
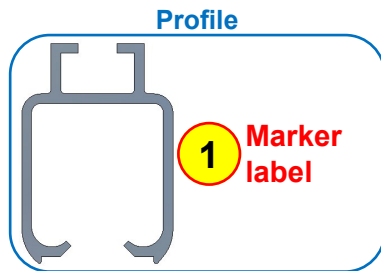
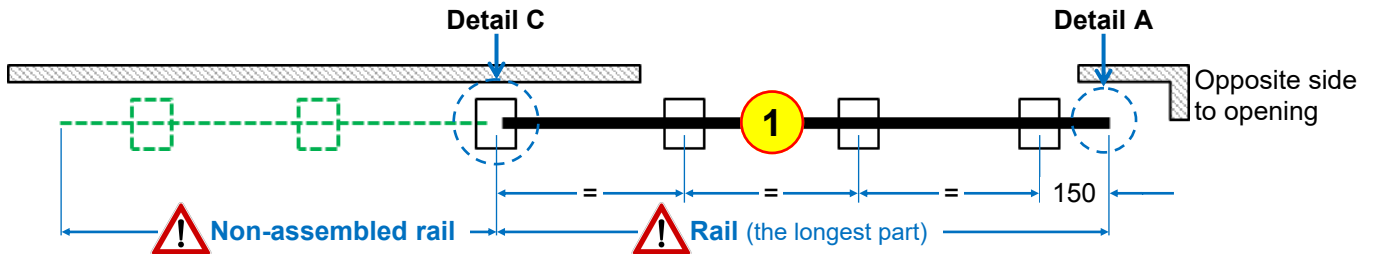
- **Opening to 90°:** Rail in 1 part



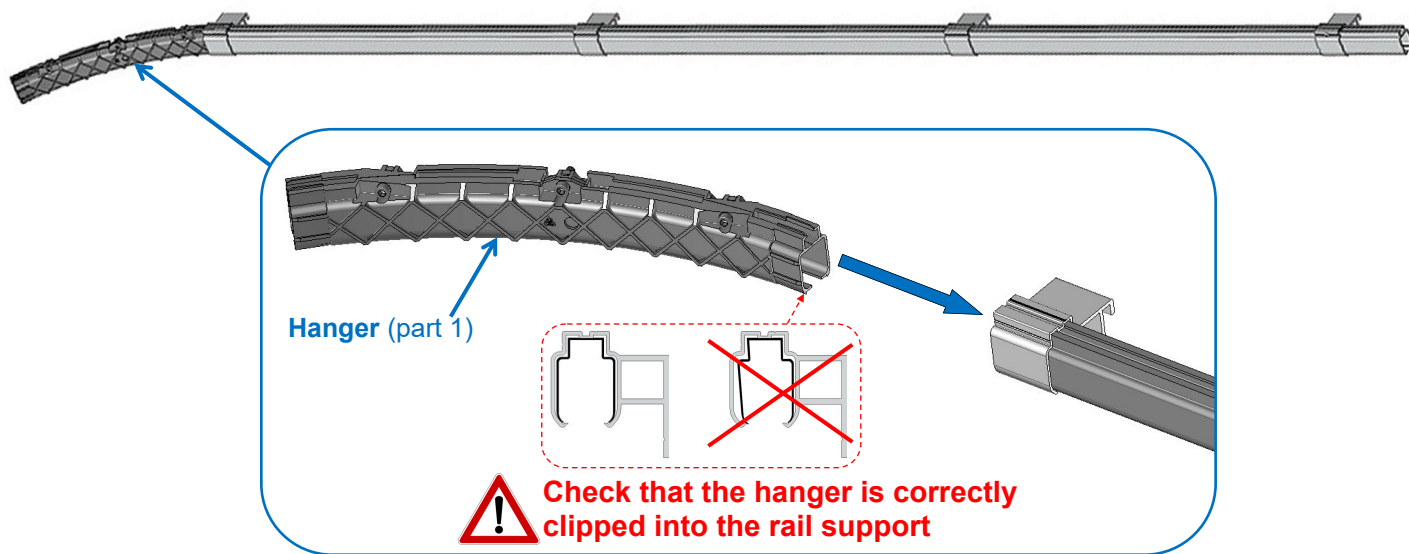
- **Opening to 90°:** Rail in 2 parts



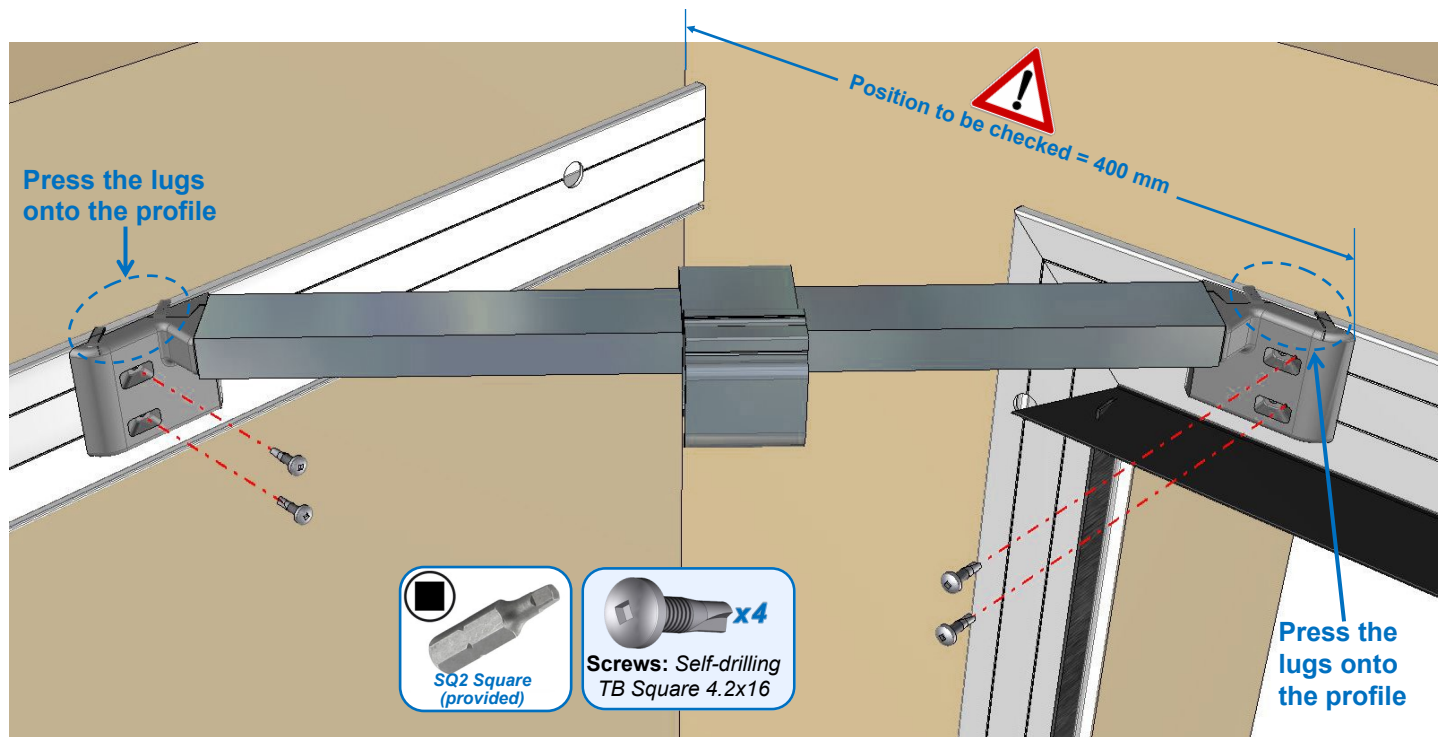
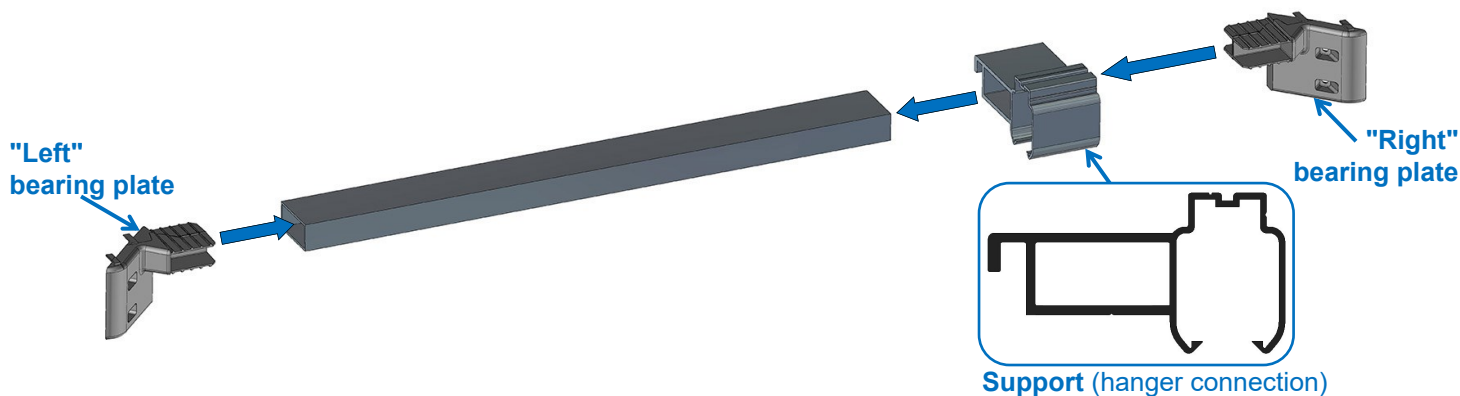
- **Right-hand opening:** In 2 parts only



### Assembling the hanger (Except for right-hand opening)

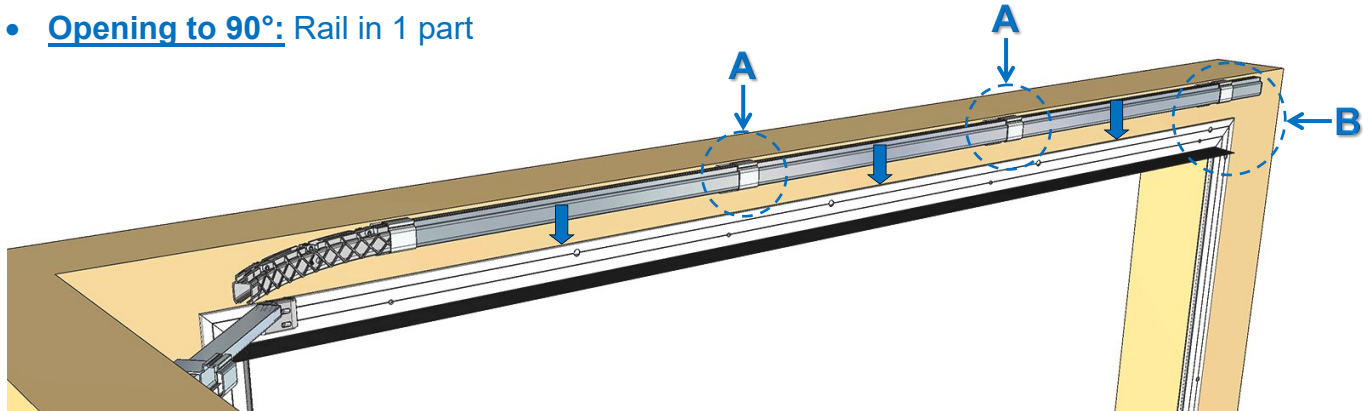


### Assembling and installing the hanger support (Except for right-hand opening)

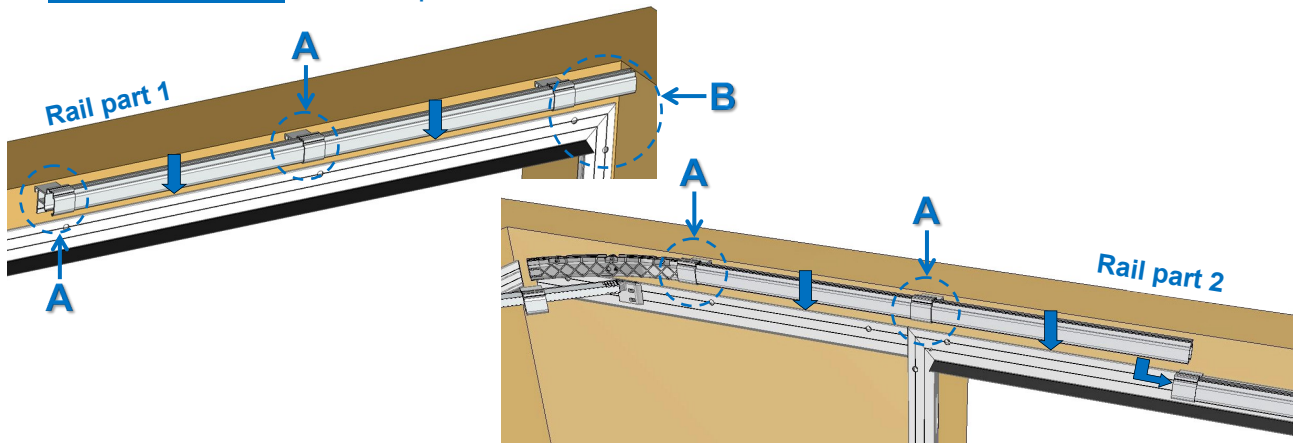


### Installing the guiding rail

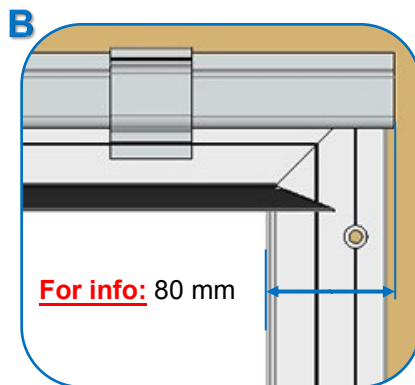
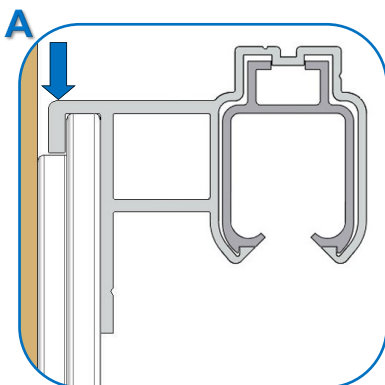
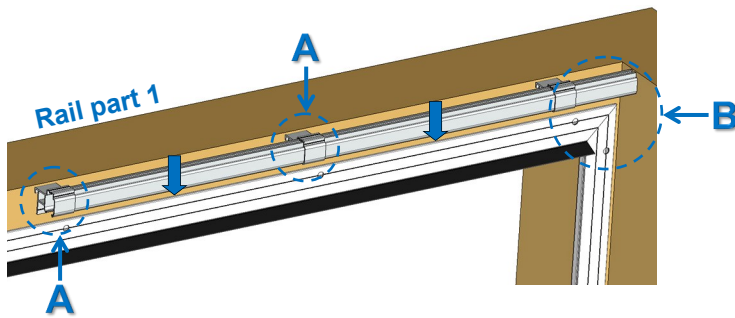
- Opening to 90°: Rail in 1 part



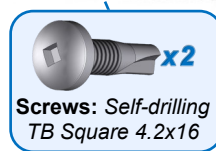
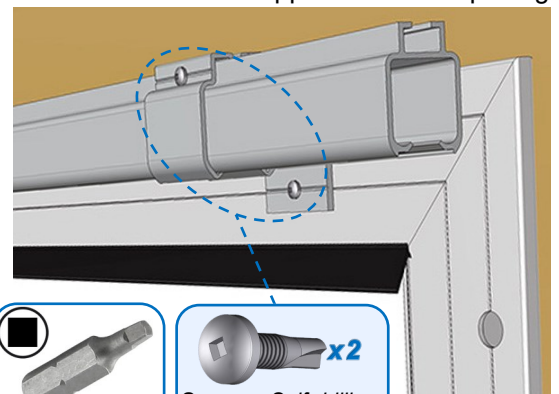
- Opening to 90°: Rail in 2 parts



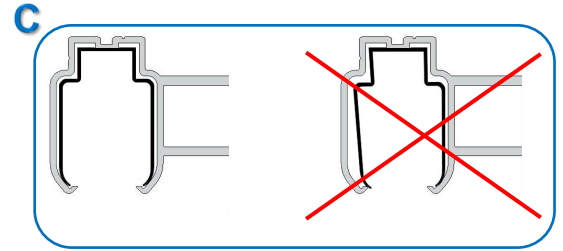
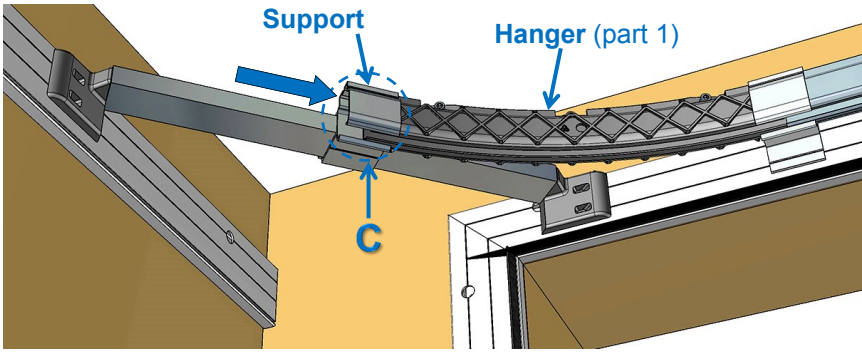
- Right-hand opening: Only install part 1 (Rail in 2 parts)



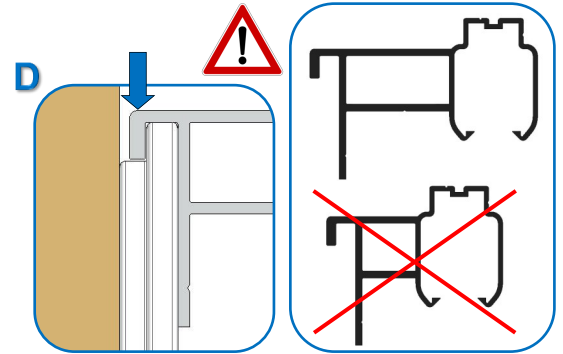
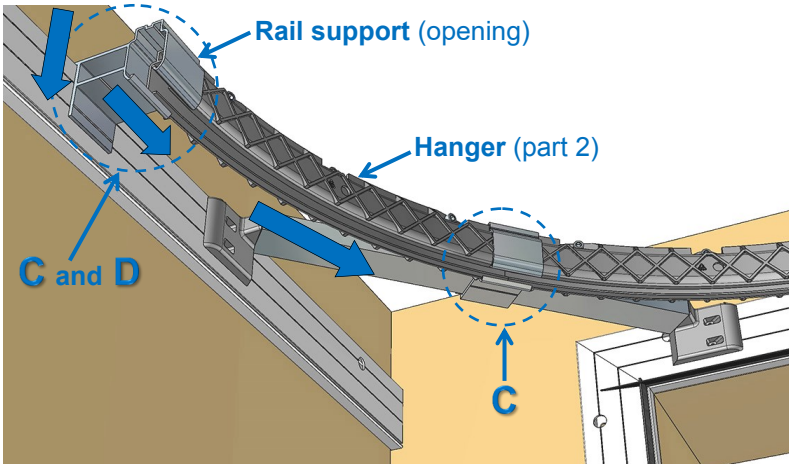
Opposite side to opening



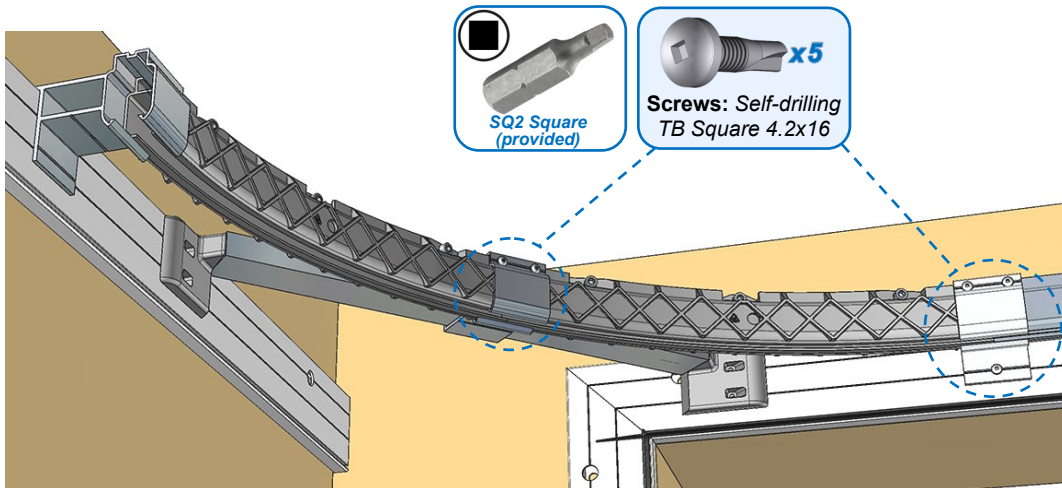
### Assembling the hanger (Part 2)



**!** Check that the hanger is correctly clipped into the rail supports

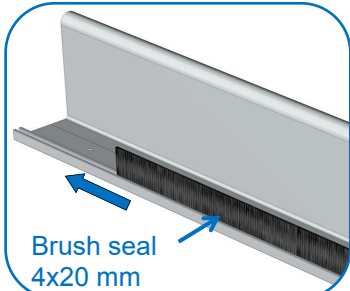


### Attach the 2 supports



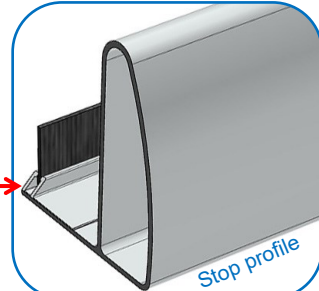
# Shutter stop

## Installing the seal and the stop



Brush seal  
4x20 mm

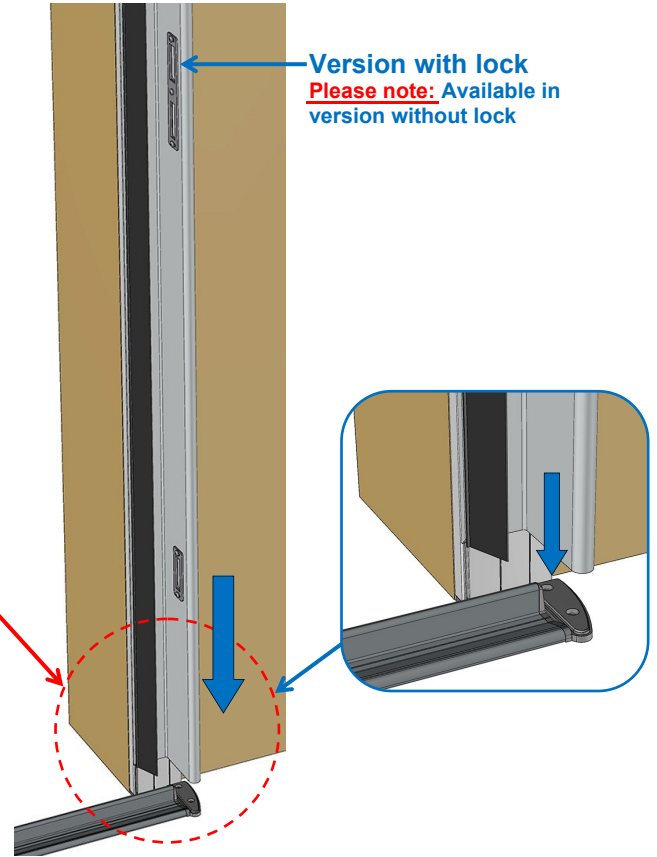
Cut off any excess, if necessary



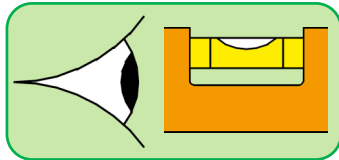
Stop profile



The chamfer is at the bottom of the stop



Version with lock  
**Please note:** Available in version without lock



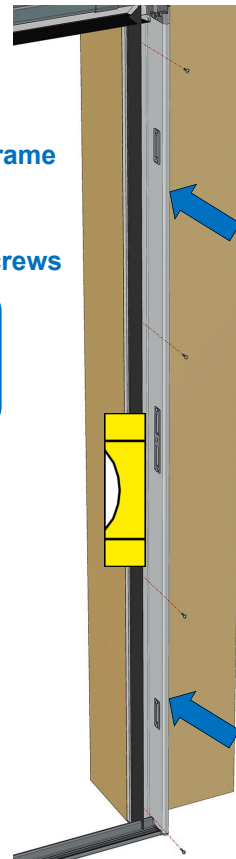
- 1- Press the profile against the frame
- 2- Ensure the profile is level
- 3- Attach the profile using the screws



SQ2 Square  
(provided)

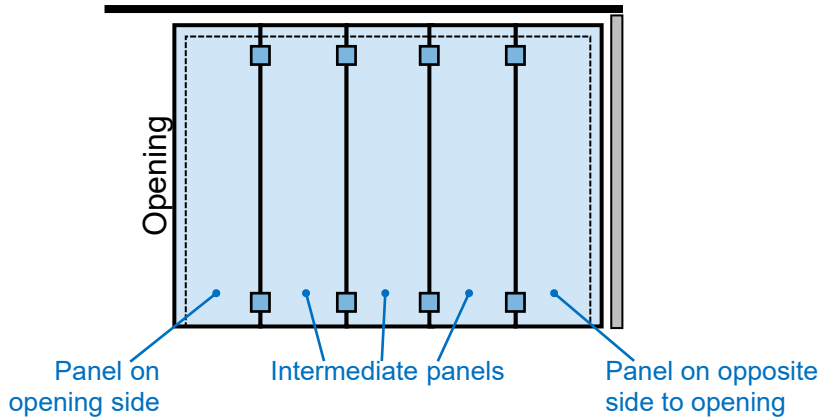


x4 to 6  
Screws: Self-drilling  
TB Square 4.2x16



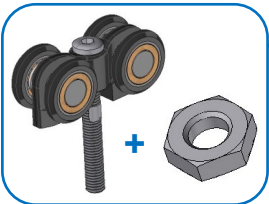
# Shutter

## Overall view



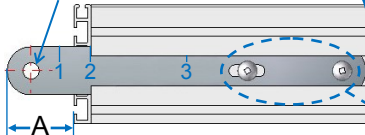
## Preparing the panel on the opening side

**! To install, if: OSR > 585 mm**

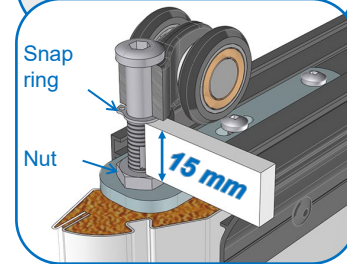
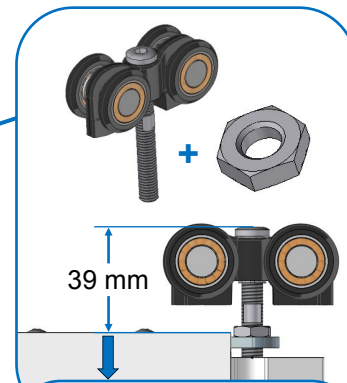


### Adjust the carriage support

Hole drilled from the outside

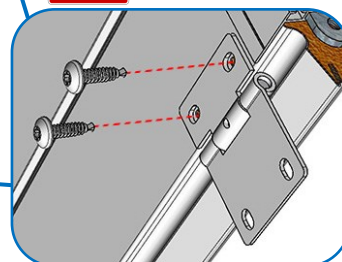


OSR (mm)	Position	A (mm)
$175 \leq OSR < 500$	2	28
$500 \leq OSR \leq 585$	3	63
$OSR > 585$	1	16

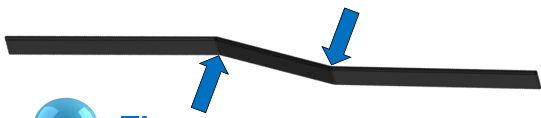
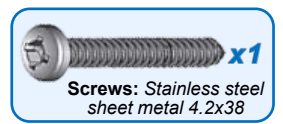
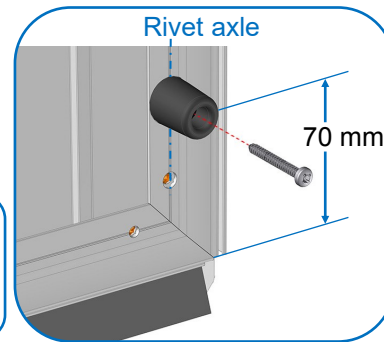
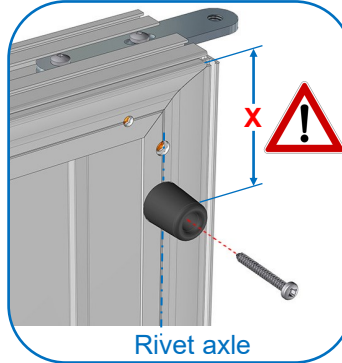
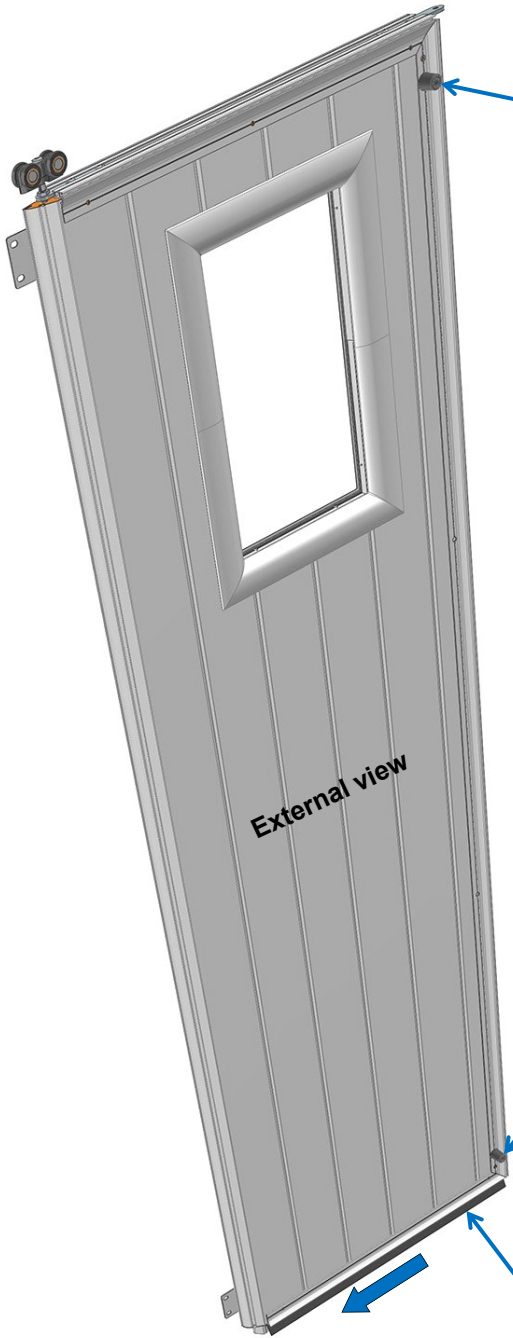


Internal view

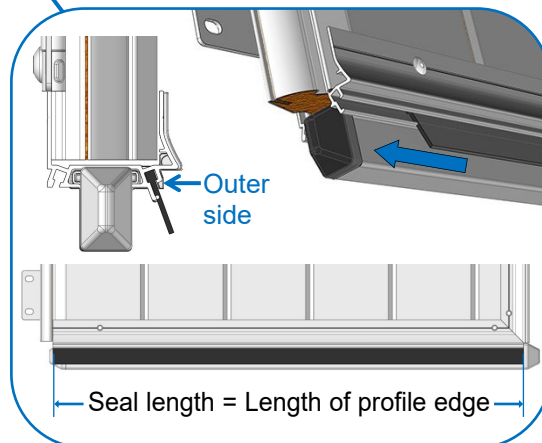
**! The direction of the hinge knuckle**



- Install the rubber stops:  $175 \leq \text{OSR} \leq 585 \text{ mm}$

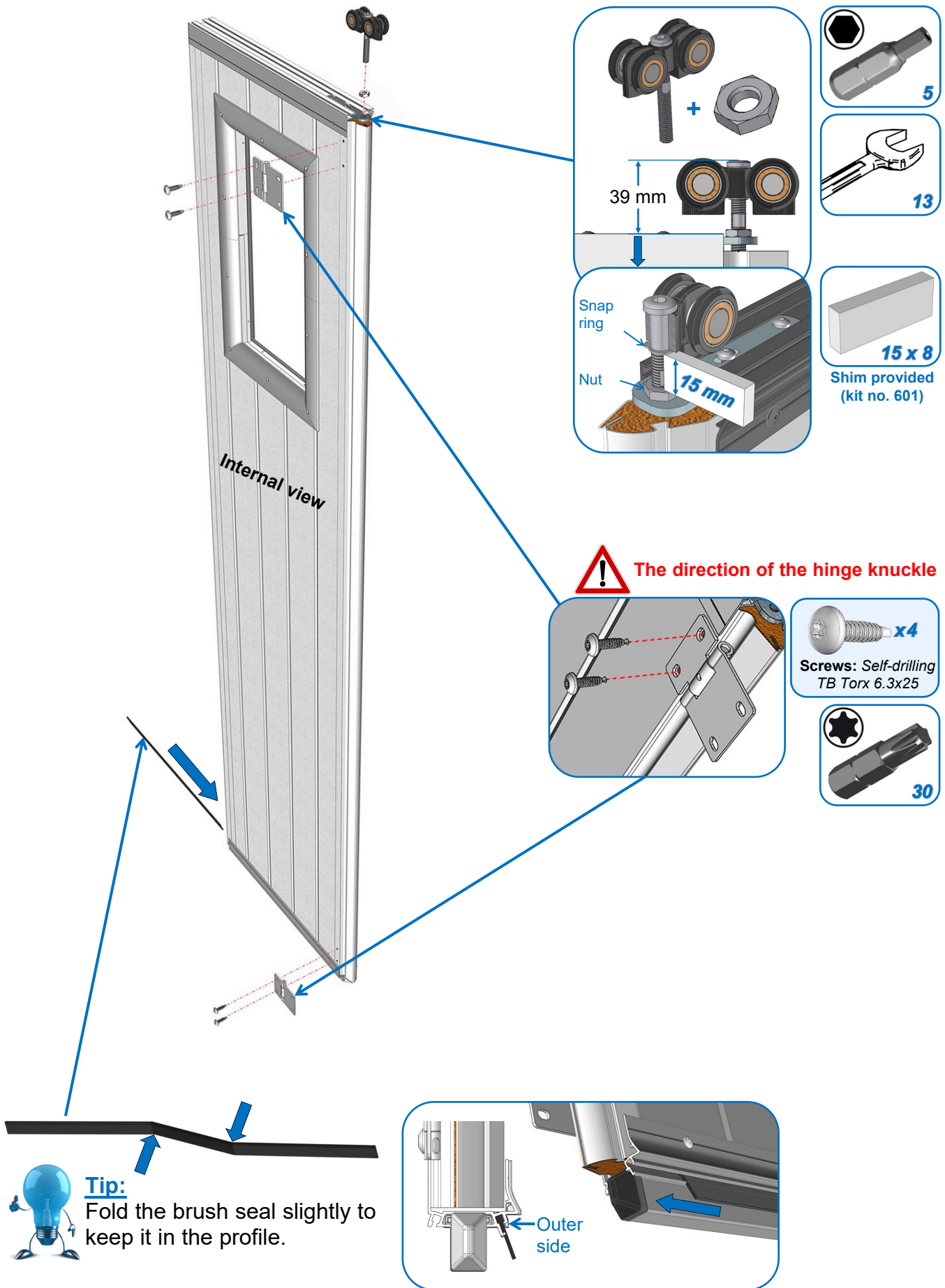


**Tip:** Fold the brush seal slightly to keep it in the profile.



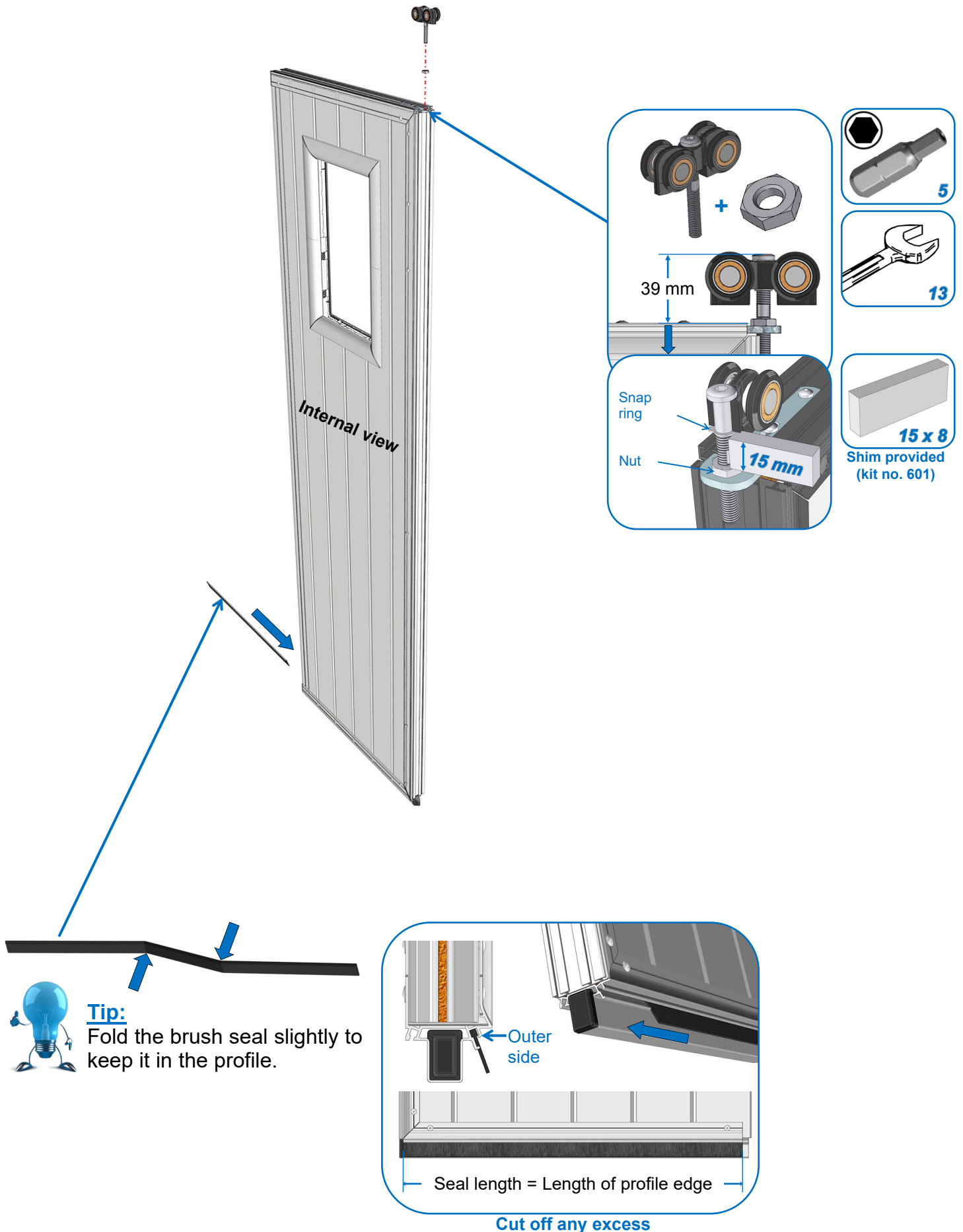
**Cut off any excess**

## Preparing the intermediate panels





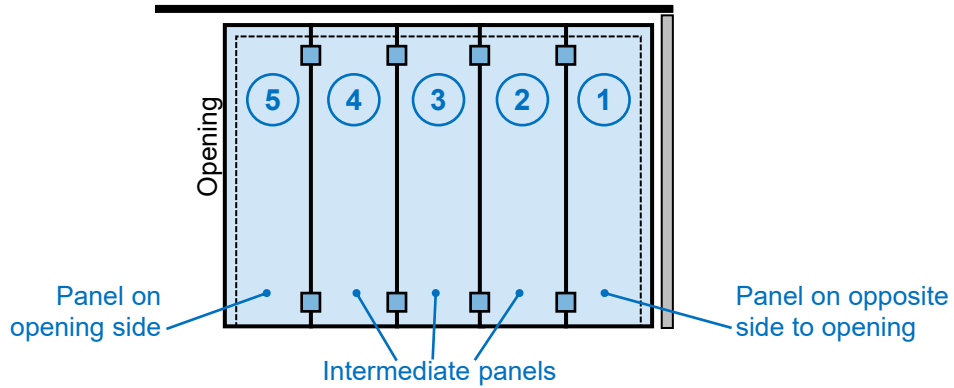
**Preparing the panel on the opposite side to the opening**



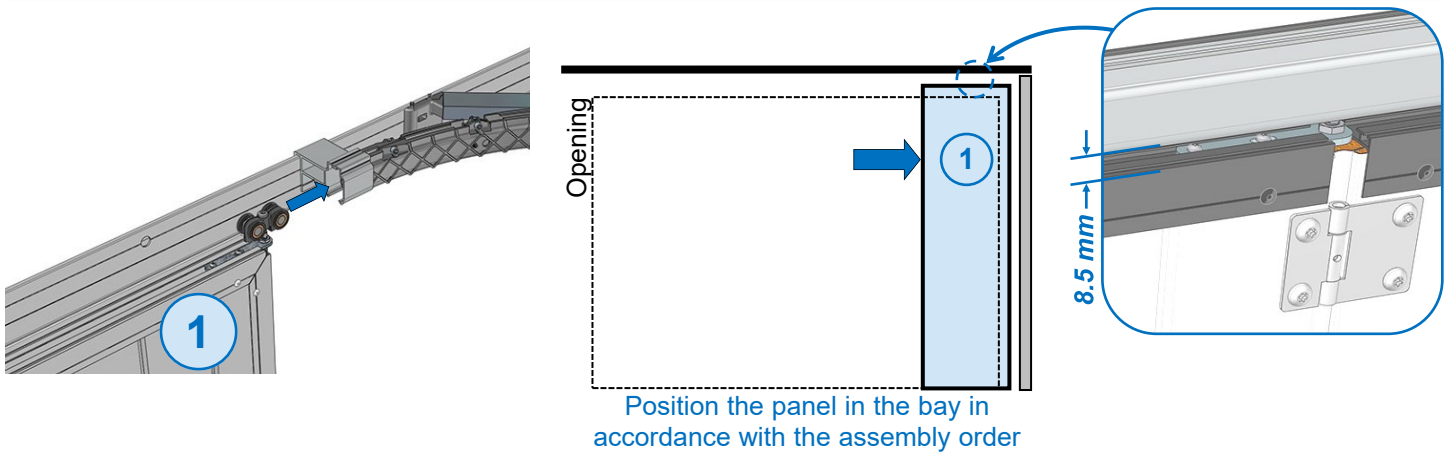
**Tip:**  
Fold the brush seal slightly to keep it in the profile.

# Installing the panels

## Assembly order of panels



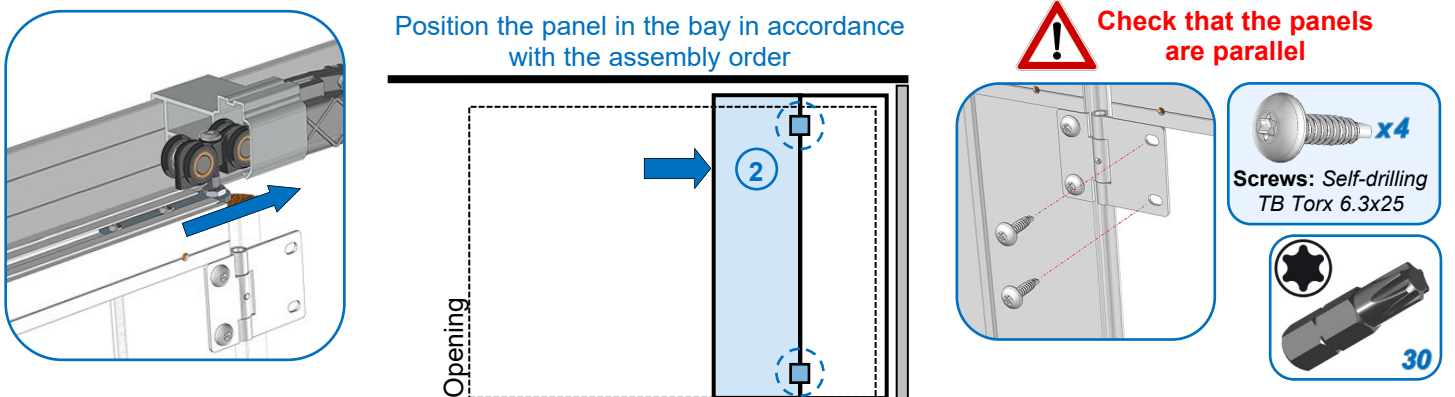
## Panel on opposite side to opening

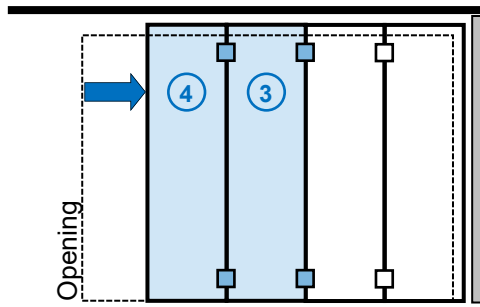


**IMPORTANT**

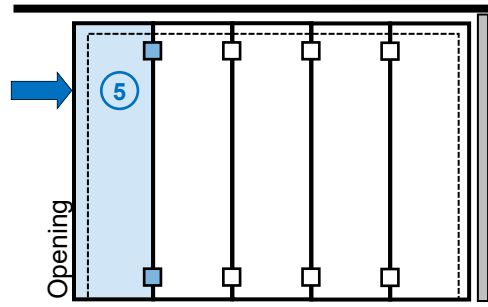
**Check that there is a gap of 8.5 mm between the top of the panel and the guiding rail. This process must be carried out for each panel being installed.**

## Intermediate panels and panel on opening side





Repeat the previous process for the subsequent "intermediate" panels



Repeat the previous process for the panel on the "opening side"

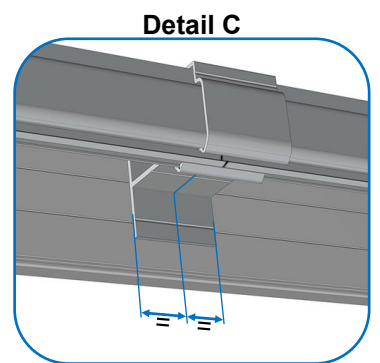
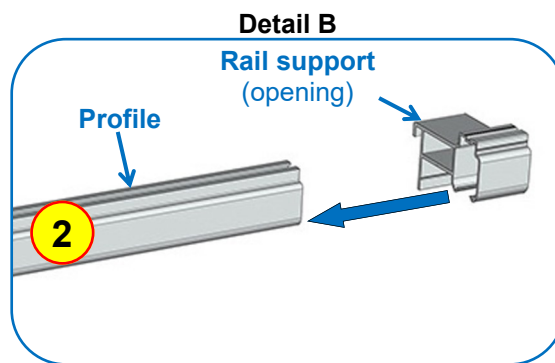
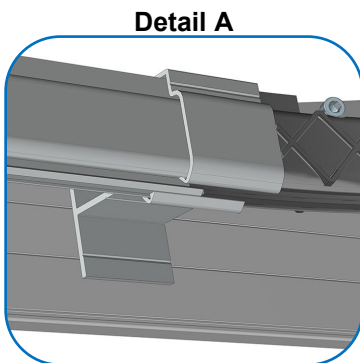
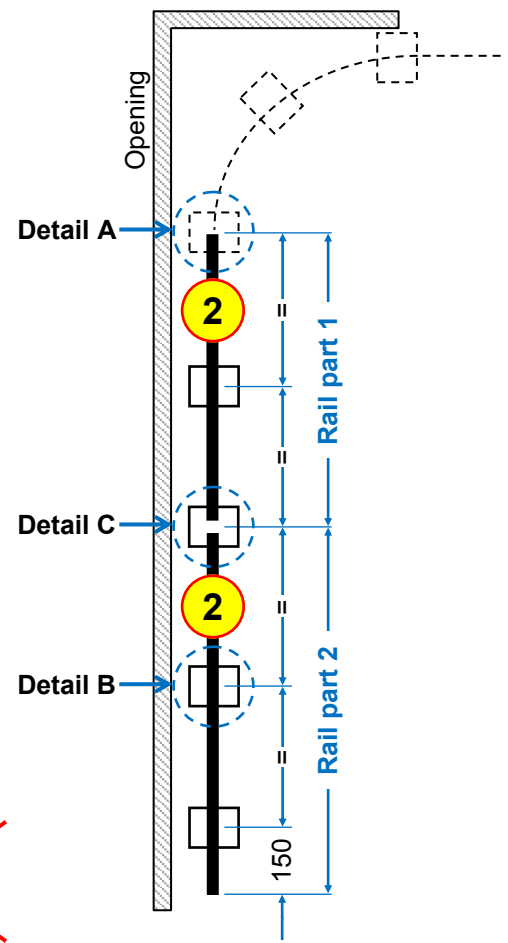
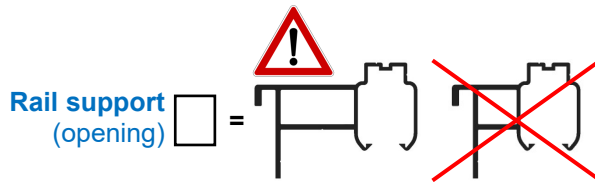
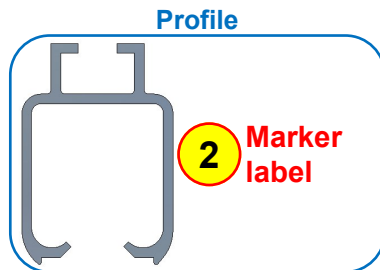
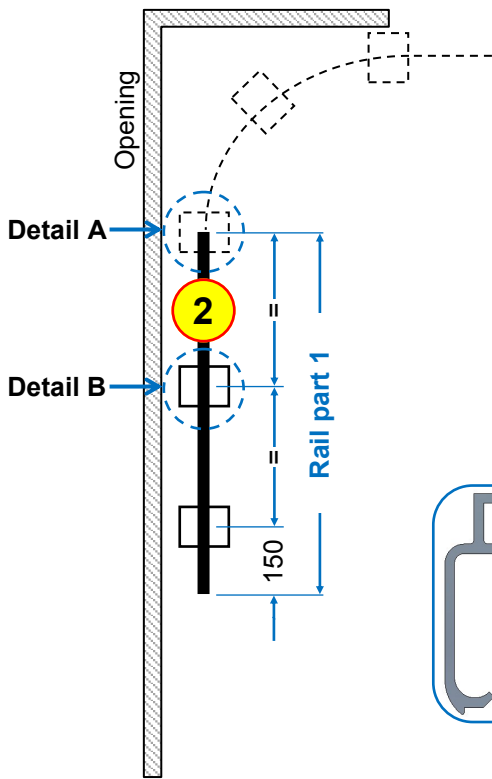
# Opening

## Assembling the "top guiding rail" on the floor

• Opening to 90°: Rail in 1 part

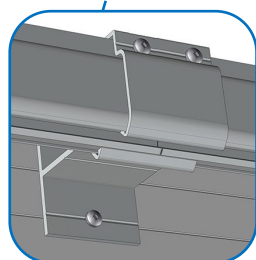
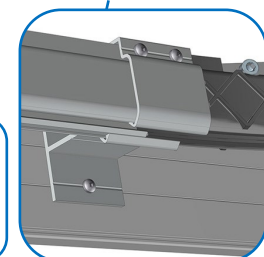
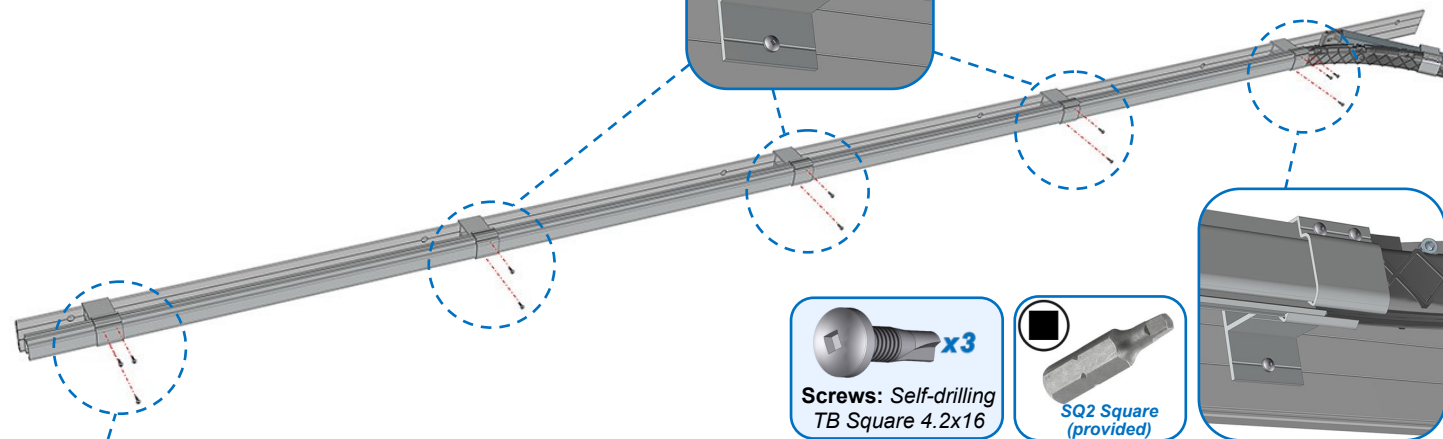
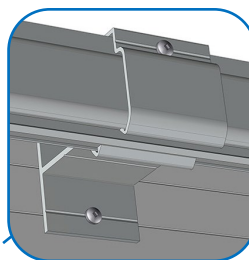
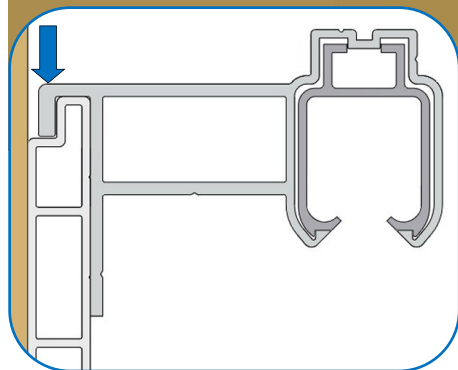
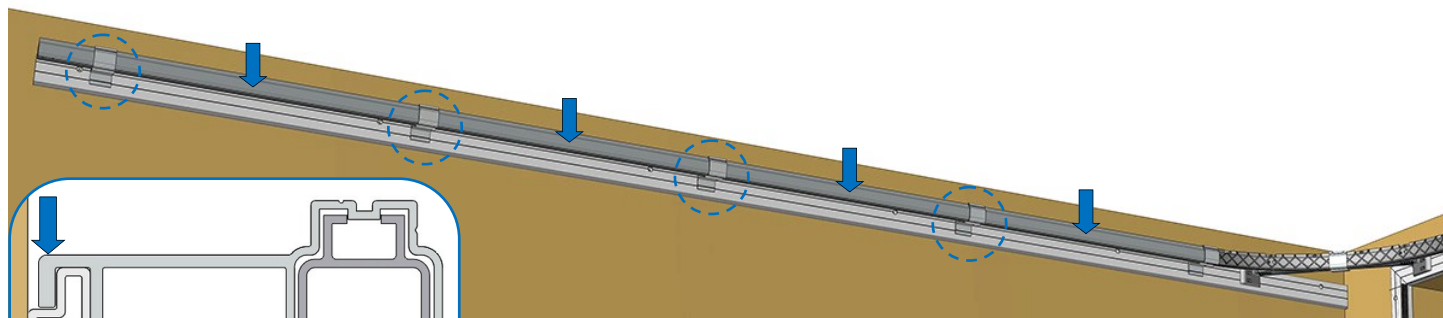
OR

• Opening to 90°: Rail in 2 parts



## Installing the guiding rail

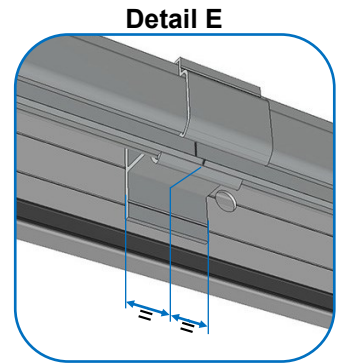
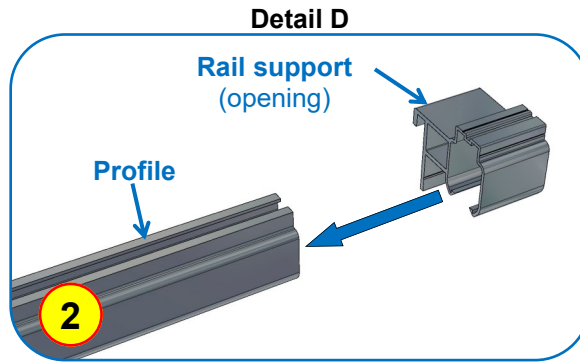
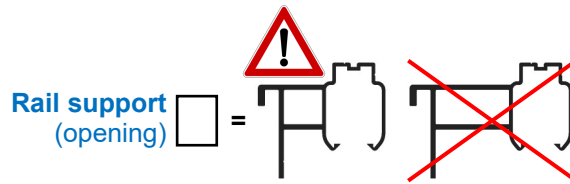
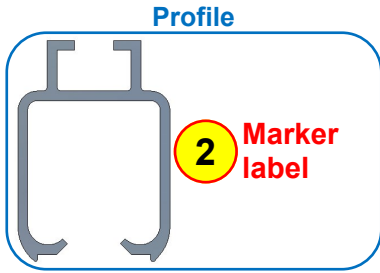
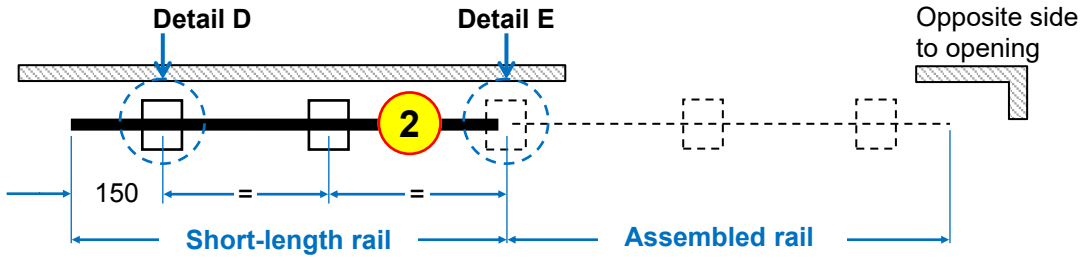
- Opening to 90°: Rail in 1 or 2 parts



Rail connection

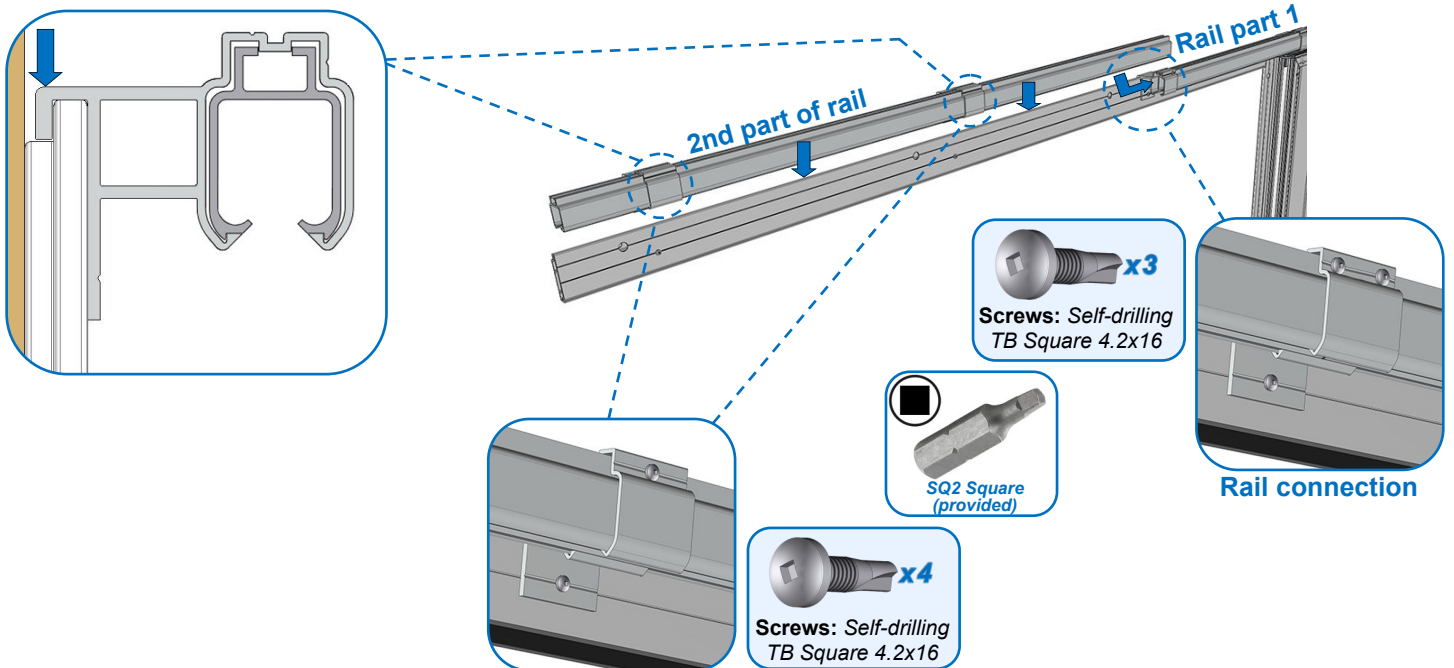
## Assembling the "top guiding rail" on the floor

- **Right-hand opening:** In 2 parts only



## Installing the guiding rail: 2nd part (Part 1 already assembled)

- **Right-hand opening:** In 2 parts only



# Assembly for reservation

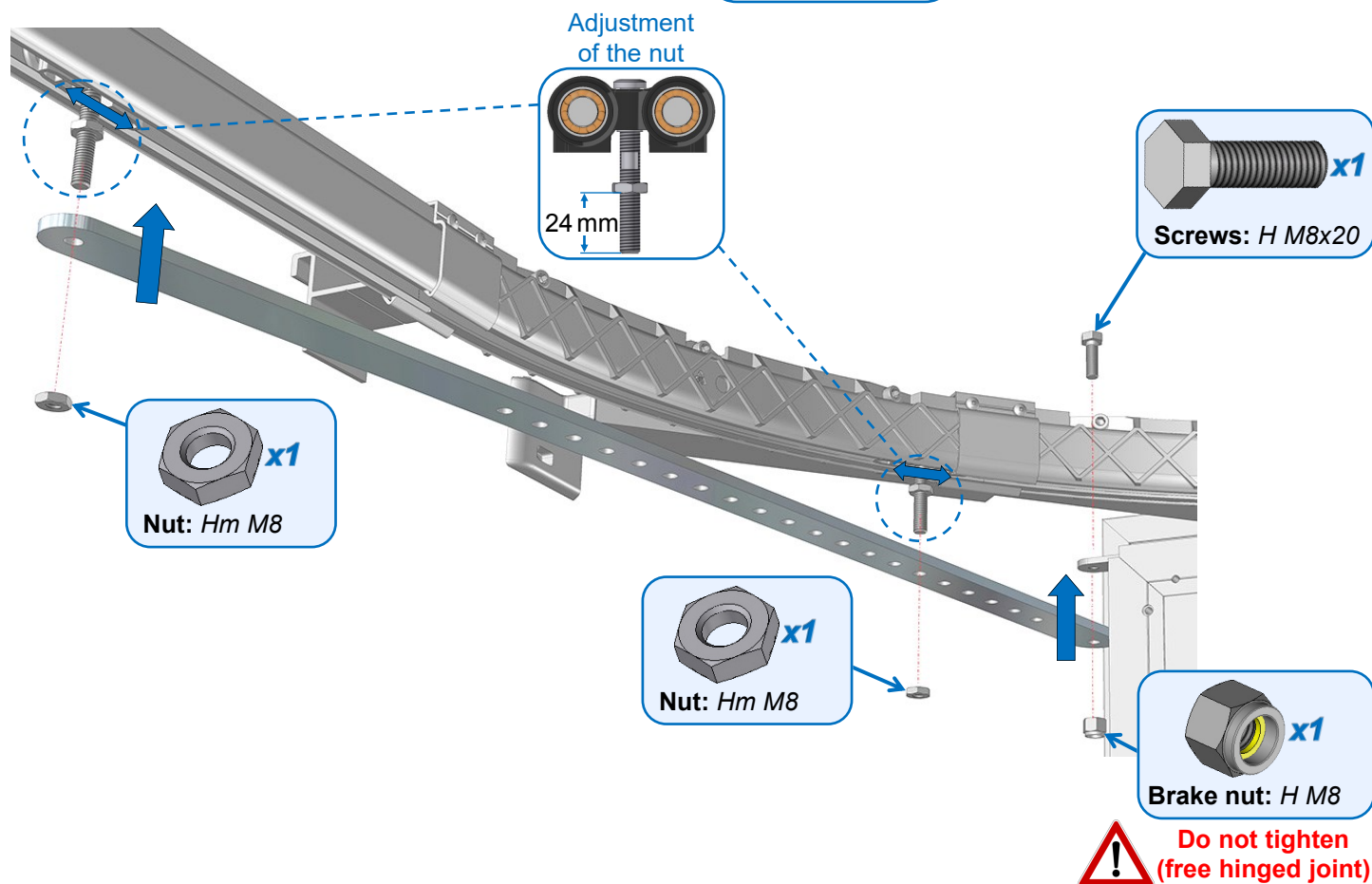
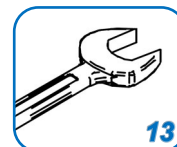
175 ≤ OSR ≤ 585 mm (motorized)

225 ≤ OSR ≤ 585 mm (manual)

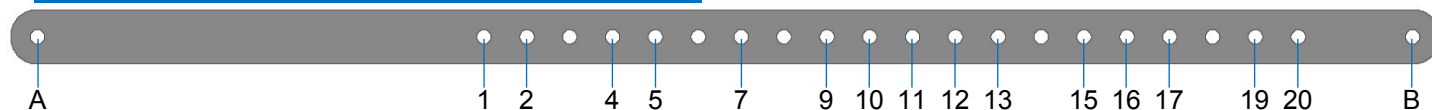
## Multi-position arm

### Installing the arm

- Slide the two carriages into the guiding rail:



- Install the arm according to the reservation:



Arm ends	Complete arm							Cut arm								
	A and B							B and 2	B and 4	B and 4	B and 1	B and 5	B and 9	B and 11	B and 13	B and 16
* Hole no.	7	9	10	12	15	17	19	19	18	19	20	20	20	20	20	20
Reservation (mm)	175	200	225	250	300	350	400	415	425	450	500	515	535	550	560	585

\* If a reservation falls in between two hole numbers, use the lower hole number.

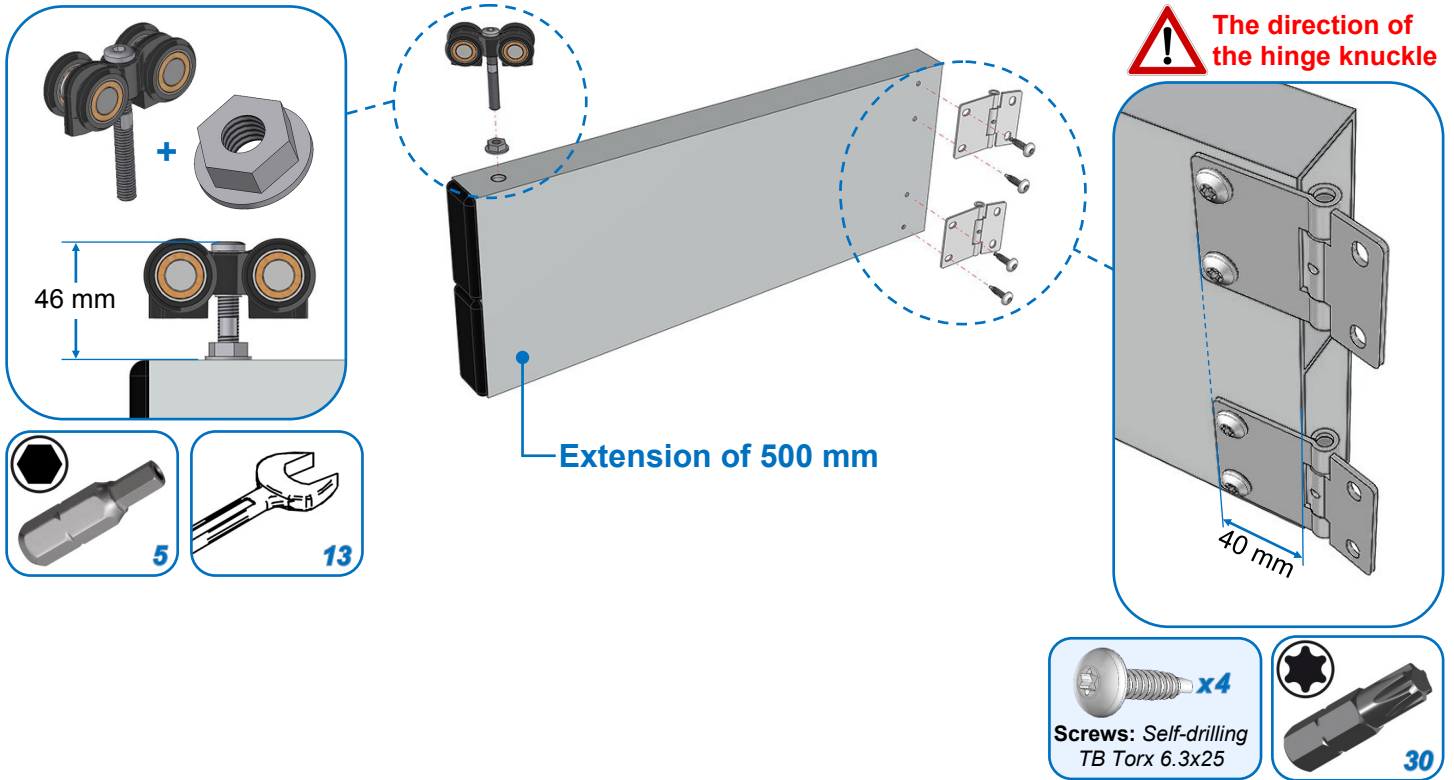
# Assembly for opening reservation

585 < OSR ≤ 1,000 mm

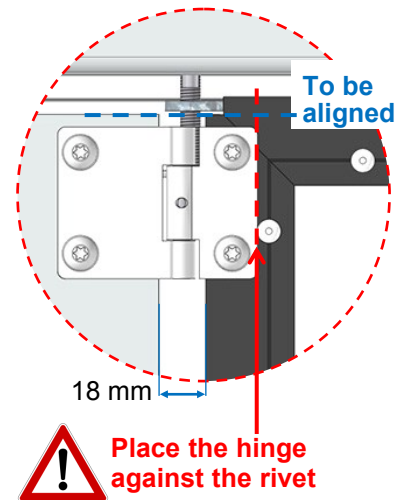
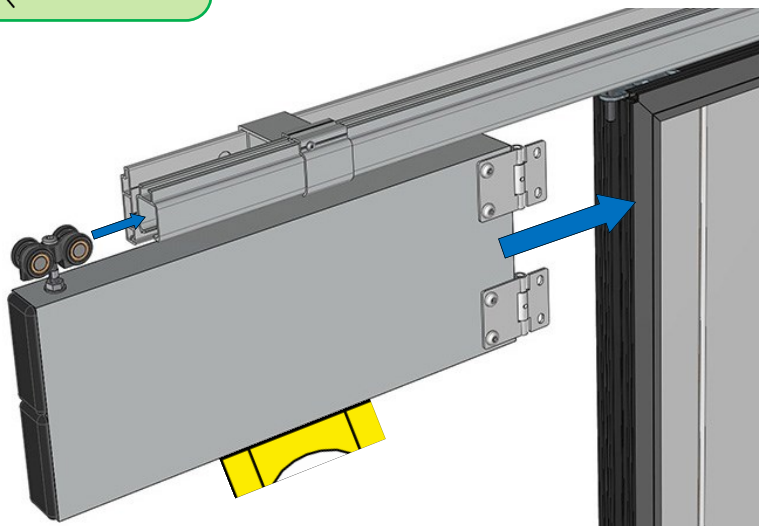
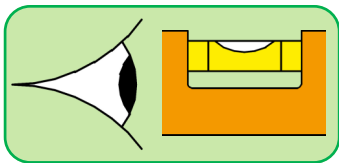
## Extension

### Preparing the extension

**IMPORTANT:** Bottom H base plate nut M8

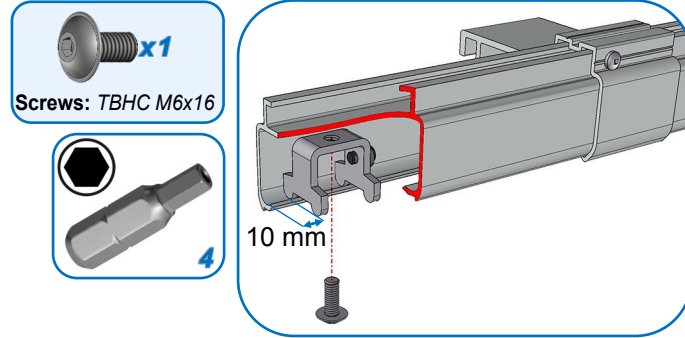


### Installing the extension



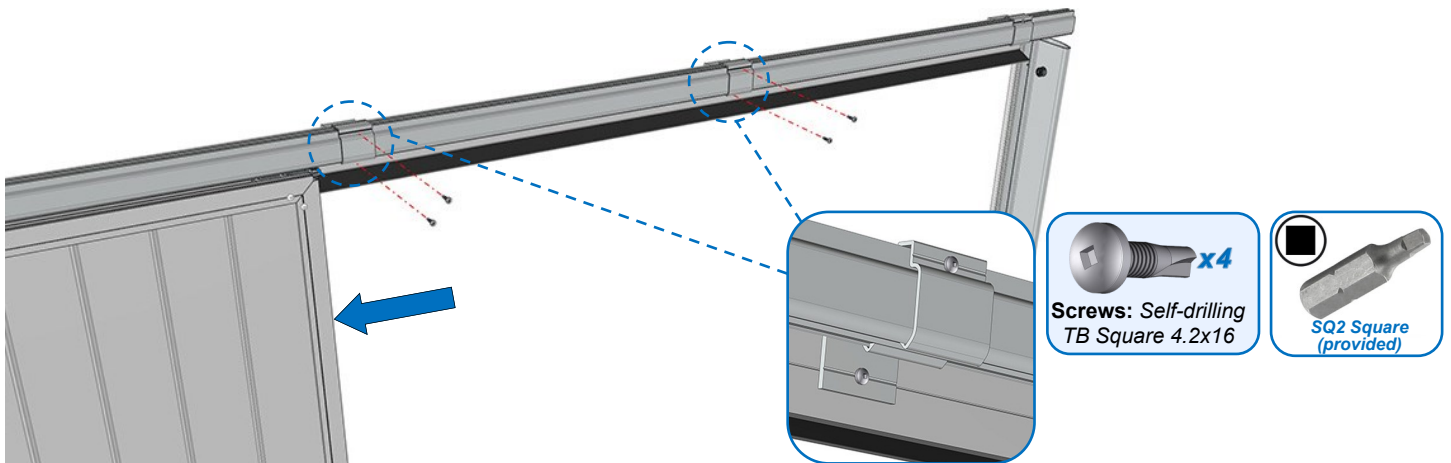
# Finishes for all types of reservations

## Installing the end position stop

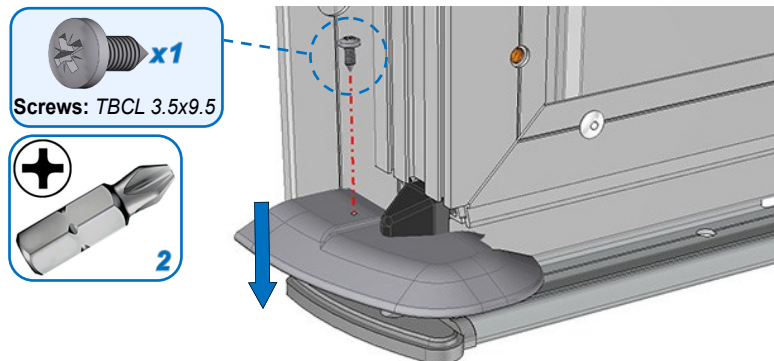


## Bay side

### Attach the intermediate rail supports



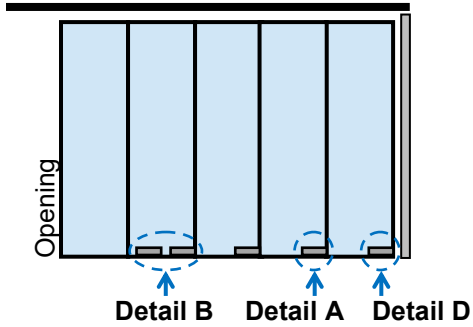
### Installing the ramp



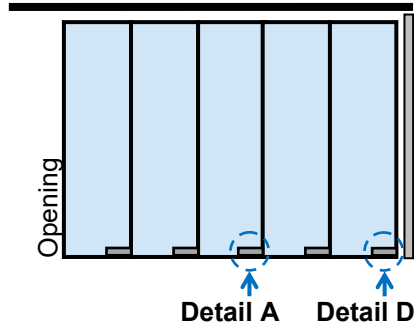


## Installing the runners

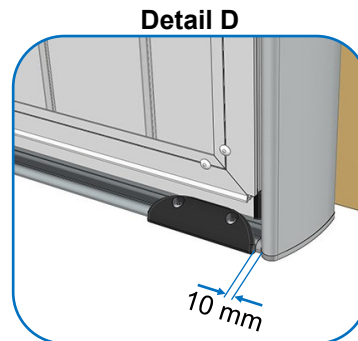
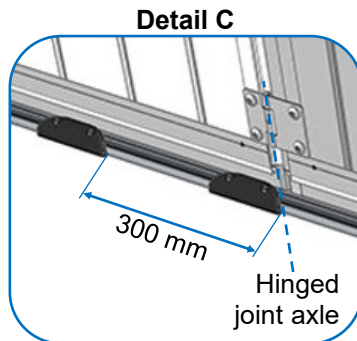
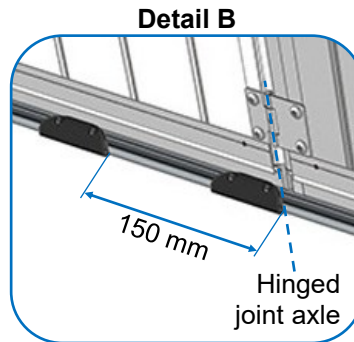
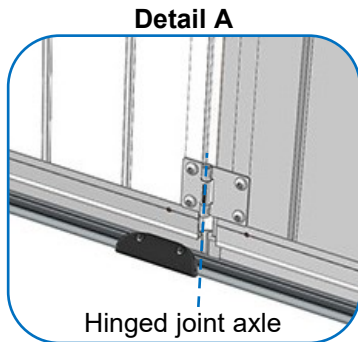
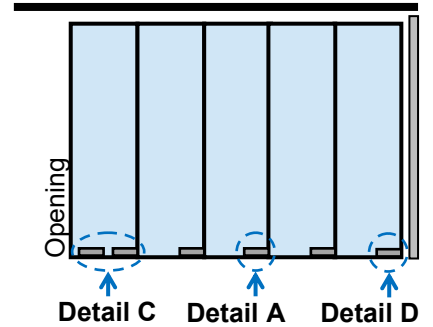
Opening to 90°:  $175 \leq \text{OSR} \leq 550 \text{ mm}$



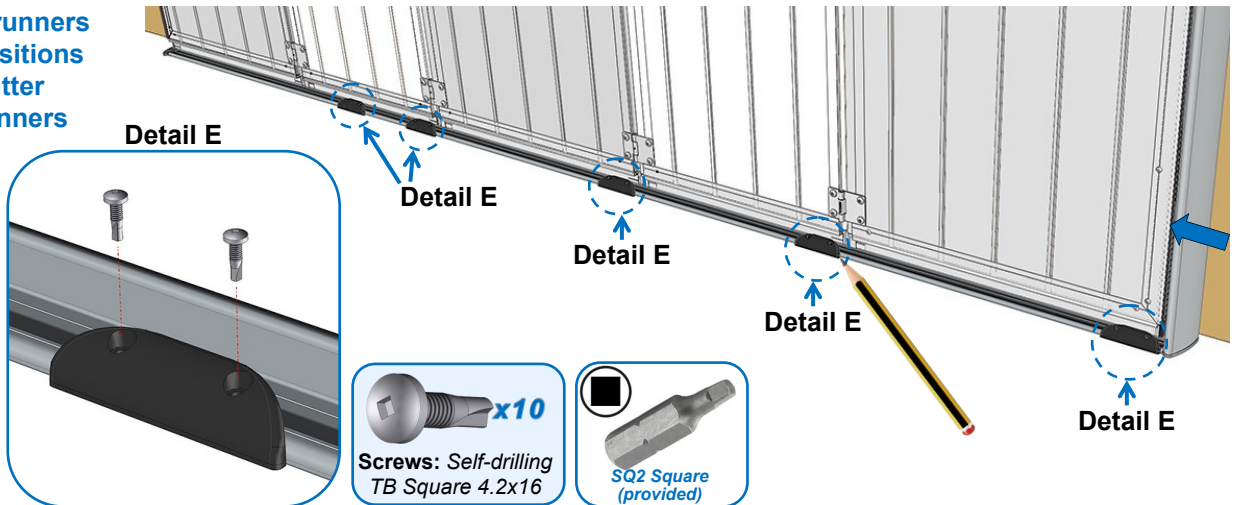
Opening to 90°:  $550 < \text{OSR} \leq 1,000 \text{ mm}$



Opening to 90°:  $\text{OSR} > 1,000 \text{ mm}$   
or Right-hand opening

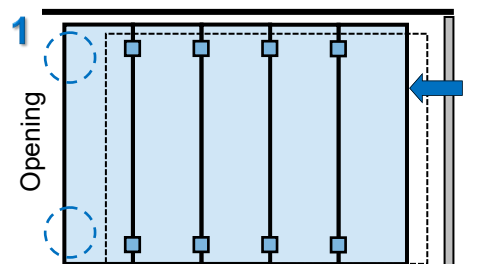


- 1 - Position the runners
- 2 - Mark their positions
- 3 - Open the shutter
- 4 - Attach the runners



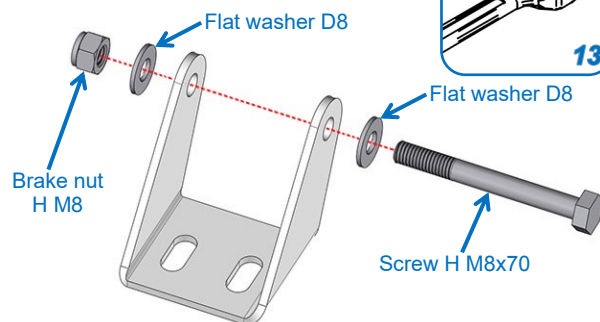
## Covering the shutter (Panel on opening side)

- **Covering system:**  $225 \leq \text{ECR} < 600 \text{ mm}$

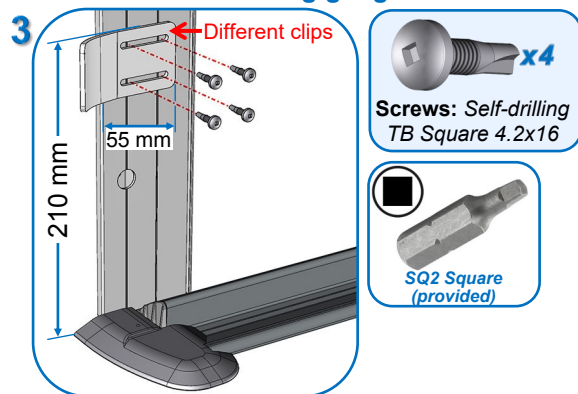


- 1 Motorized or manual system (if PH  $\leq 2,500 \text{ mm}$ )
- 2 Manual systems (if PH  $> 2,500 \text{ mm}$ )

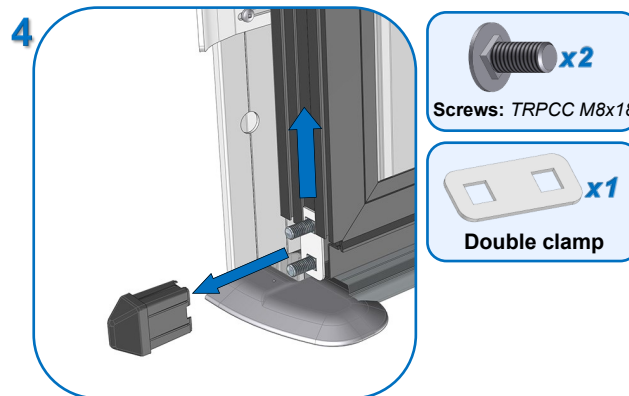
### 2 - Assemble the support clevis



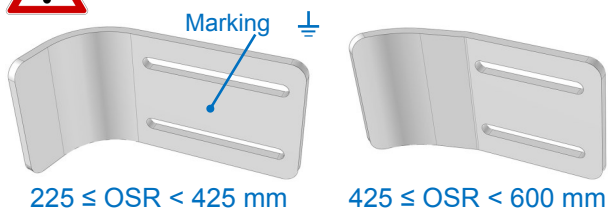
### 3 Screw on the marking gauge axes



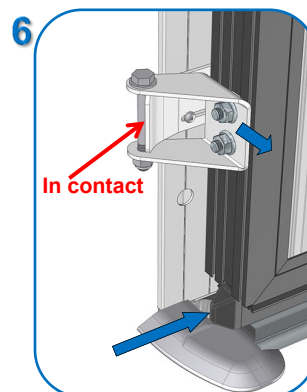
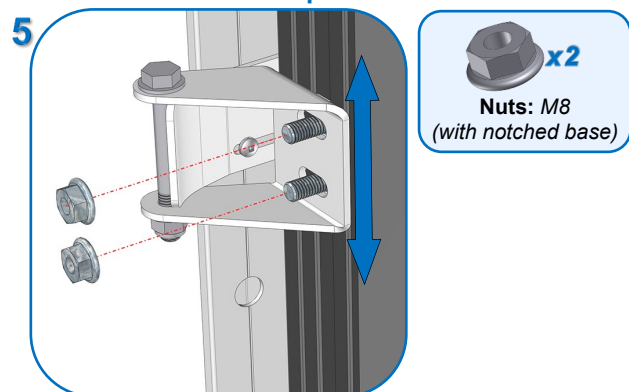
### 4 Close the shutter



**! Different clips according to the reservation**

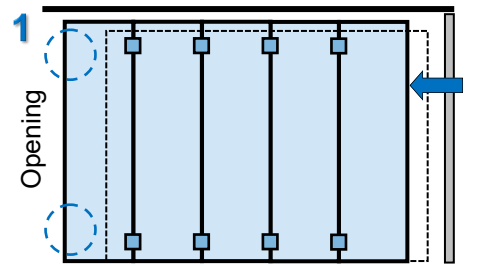


### Place in the center of the wound clips



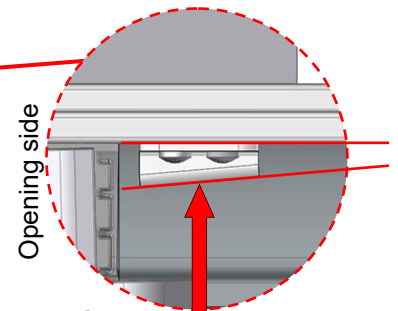
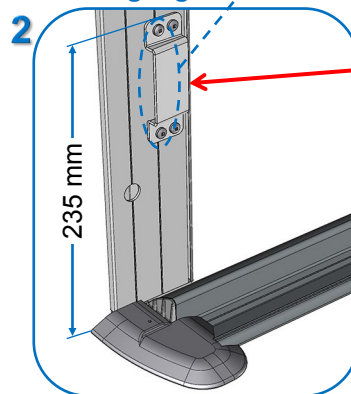
- 1 - Press down on the bottom of the panel.
- 2 - Pull the support clevis.
- 3 - Lock the nuts in place.

• **Covering system:**  $OSR \geq 600$  mm

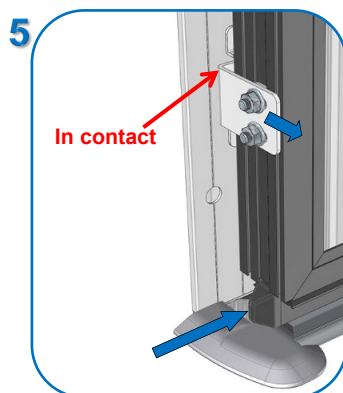
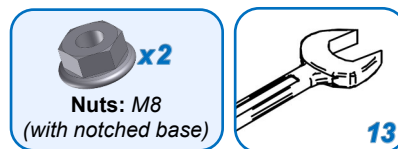
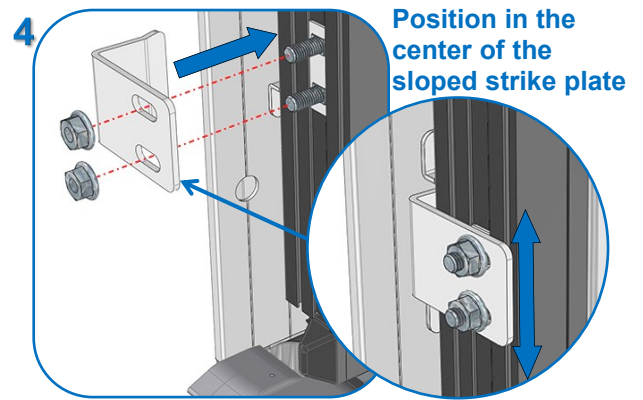
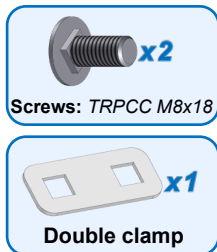
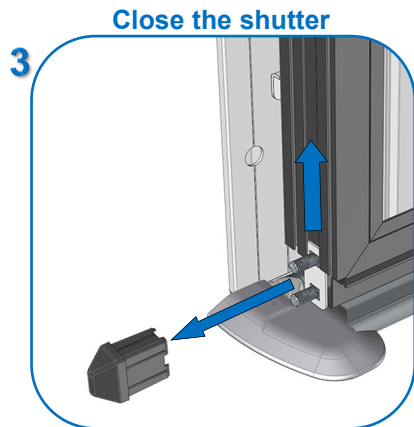
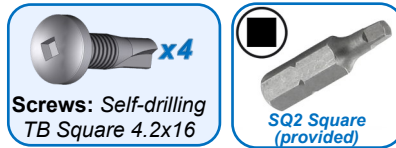


- 1 Motorized or manual system (if PH  $\leq$  2,500 mm)
- 2 Manual systems (if PH  $>$  2,500 mm)

**Screw on the marking gauge axle**



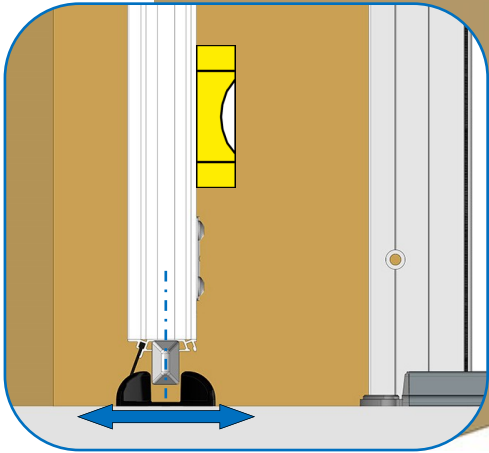
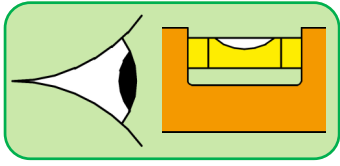
**Follow the direction of the slope**



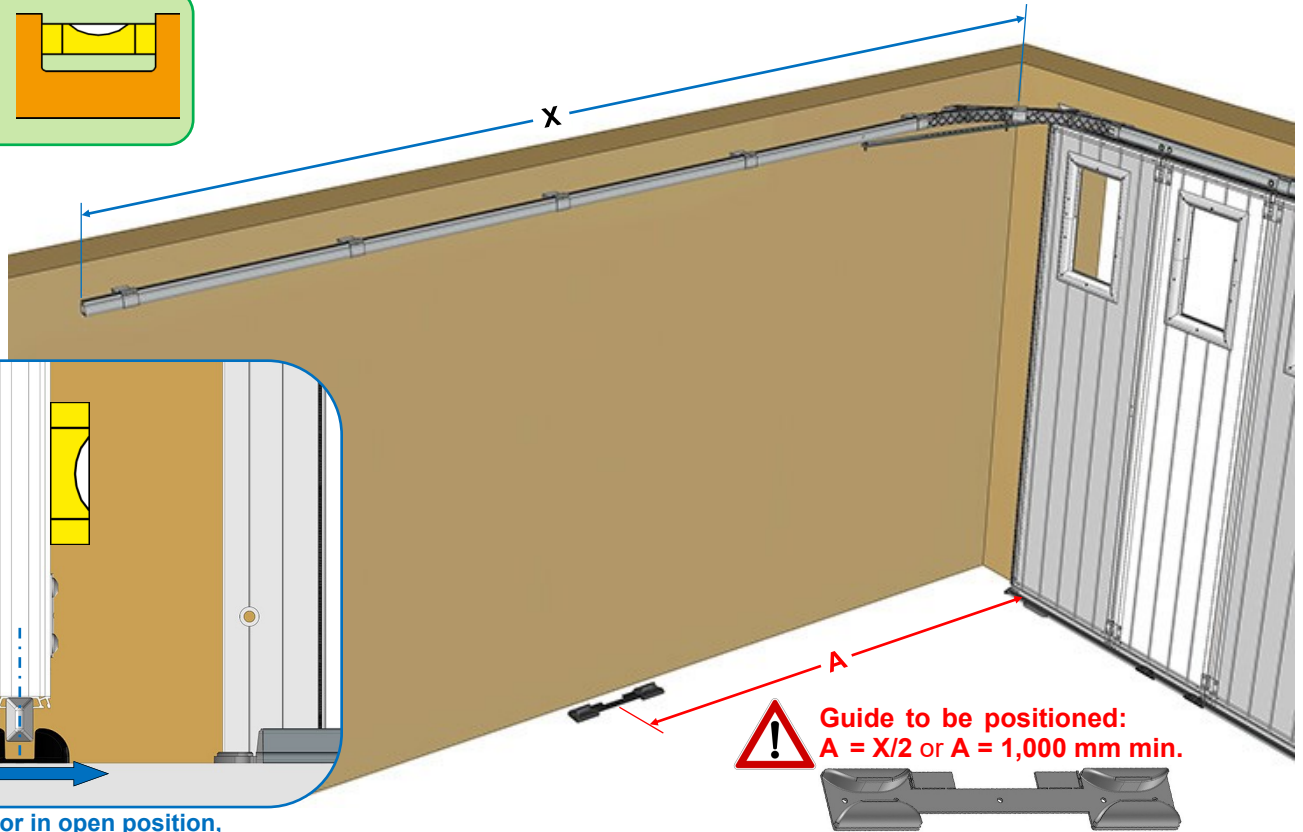
- 1 - Press down on the bottom of the panel.
- 2 - Pull the angular clip.
- 3 - Lock the nuts in place.

# Opening side

## Installing the guiding rail

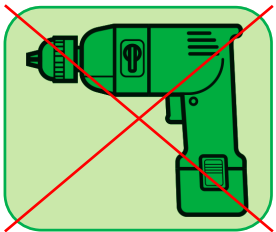


Door in open position, place the guide in the center and attach it (screws not provided)



# Options

## Lock: Installing the escutcheon



Use a screwdriver



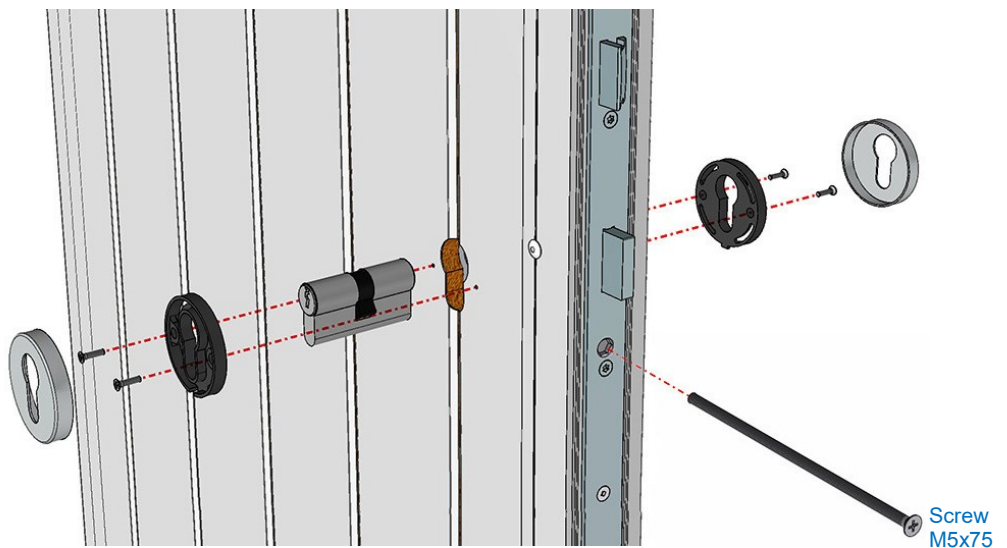
Ø2 mm blind



Screws: Self-drilling TB Square 4.2x16

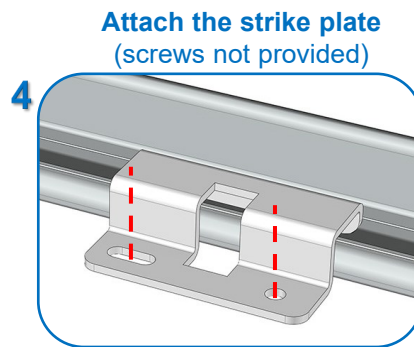
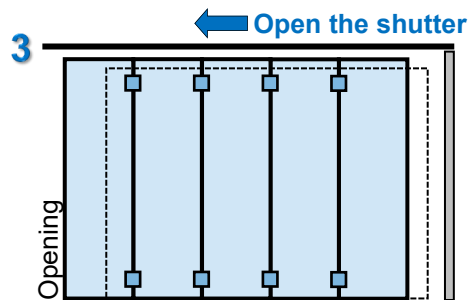
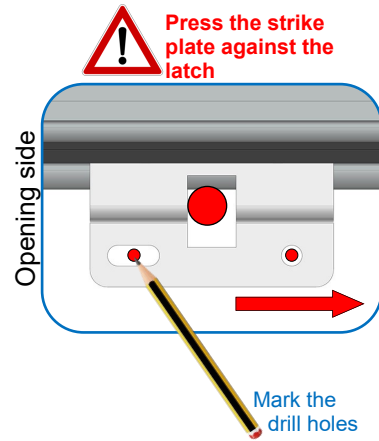
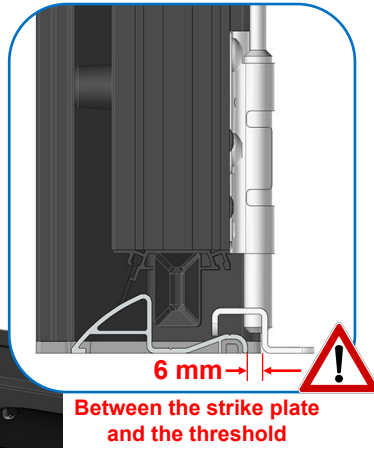
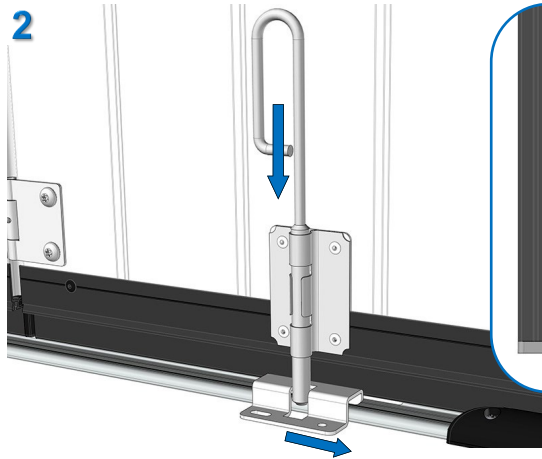
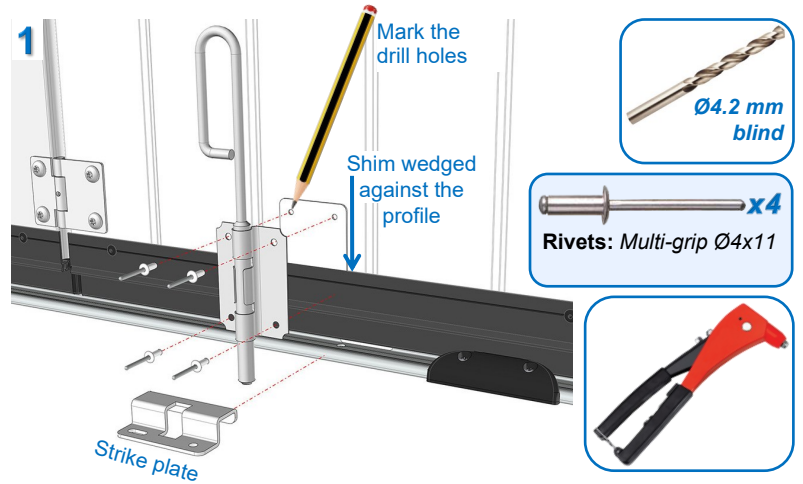
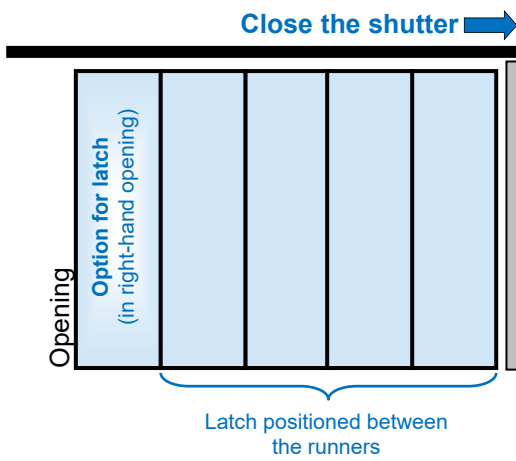


SQ2 Square (provided)



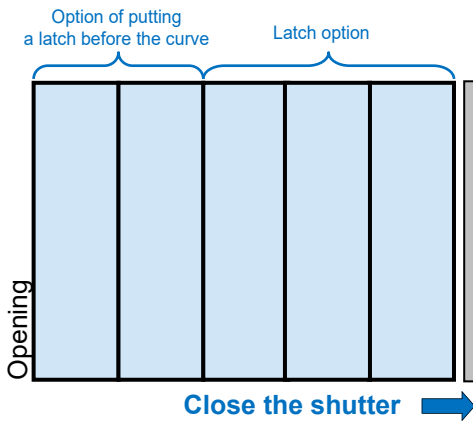
Screw M5x75

## Installing the bottom latch

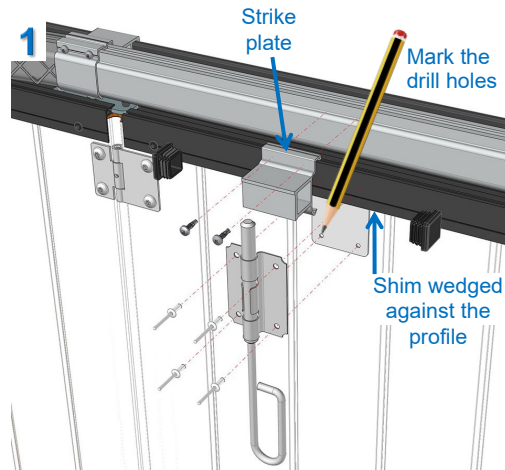


Close the shutter and test the lock function

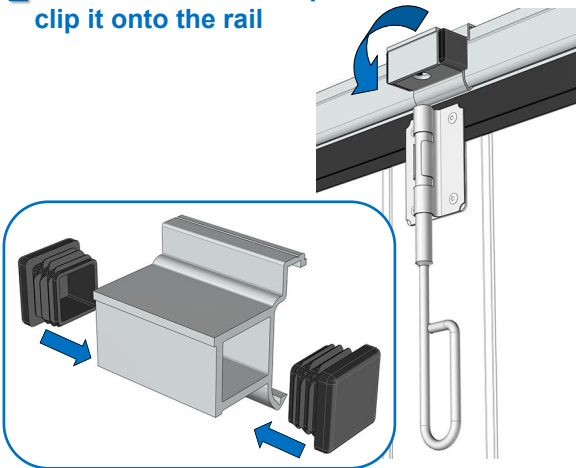
## Installing the top latch (PH = 2,200 mm max.)



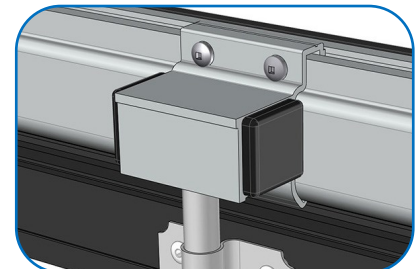
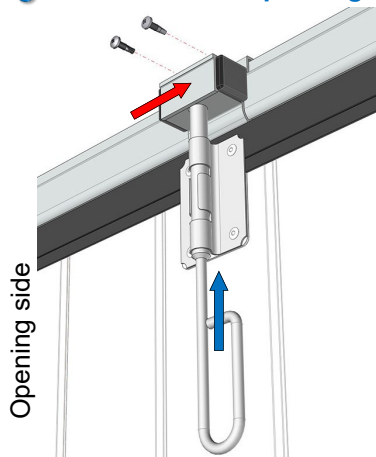
**! No latch:**  
If the operator is attached to the ceiling or header.



### 2 - Assemble the strike plate and clip it onto the rail

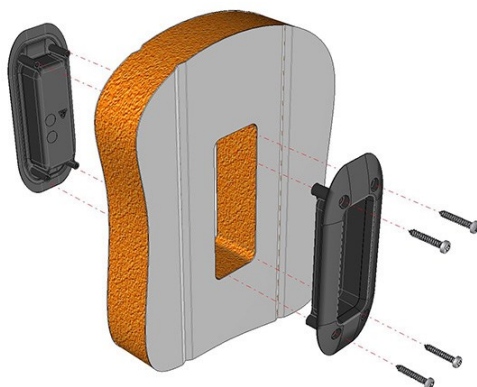


### 3 - Press the strike plate against the latch



Test the lock function

## Installing the built-in handle



**! The screws are on the inside**



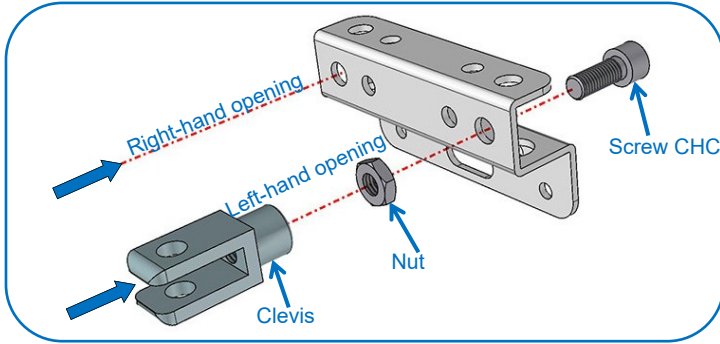
# Assembly for opening reservation

1,000 mm < OSR ≤ right-hand opening

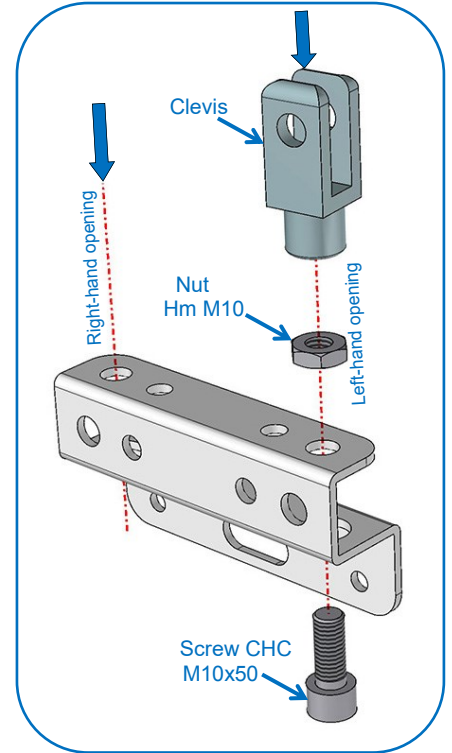
## Preparing the motorization

### Preparing the multi-operator support

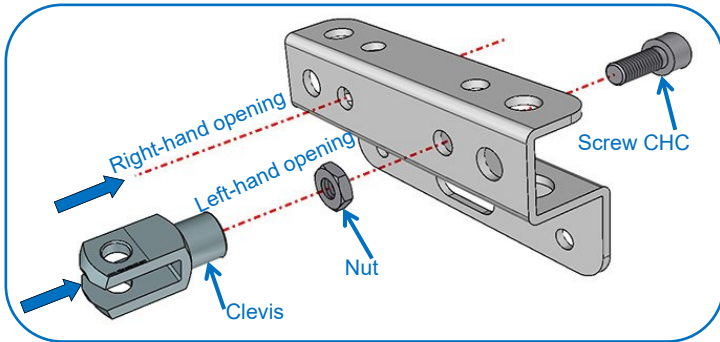
If SOMMER operator attached to ceiling



If SOMMER operator attached to header



If SOMFY operator attached to ceiling



### Installing the multi-operator support

- **SOMMER Operator** (Attached to ceiling or header) or **SOMFY Operator** (Attached to ceiling)

Opening at 90° or right-hand

