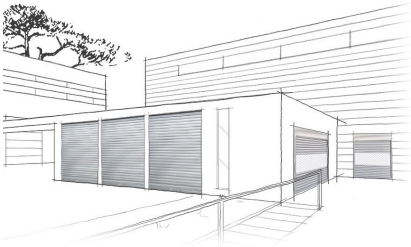


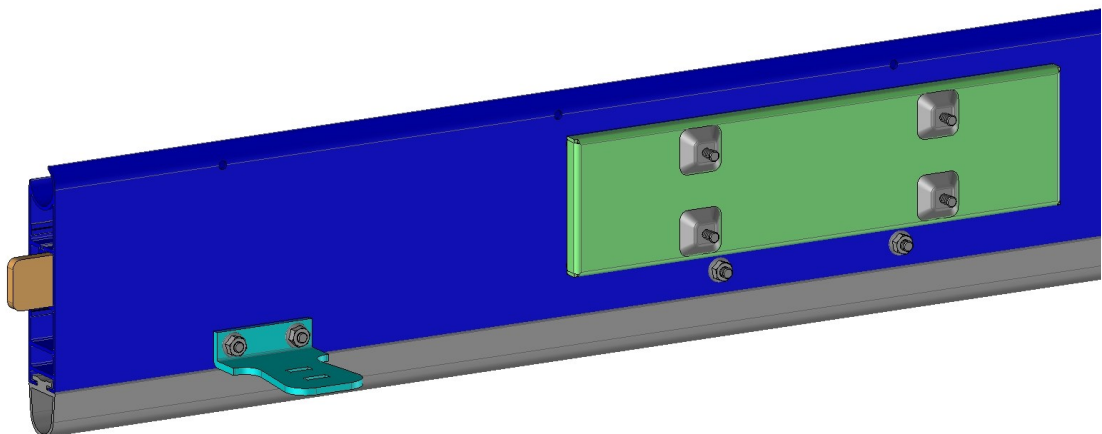
Manual : N° 1408

INSTALLATION

Murax GranVision Shutters **A2P R3**



*V.A.K safety
pump lock*



(Document reserved for installers)

Please note : The V.A.K safety pump lock is **to be assembled on site**.





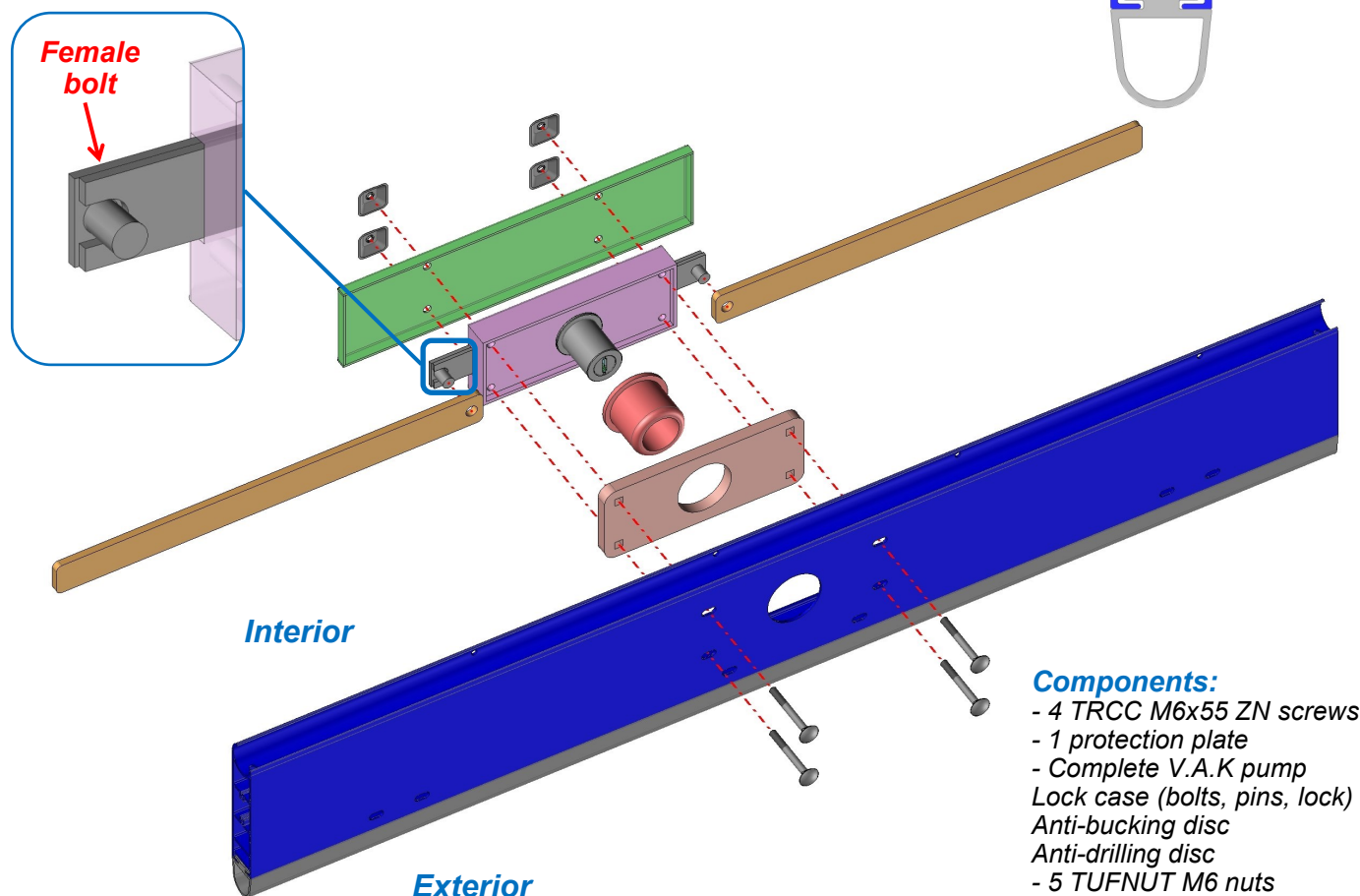
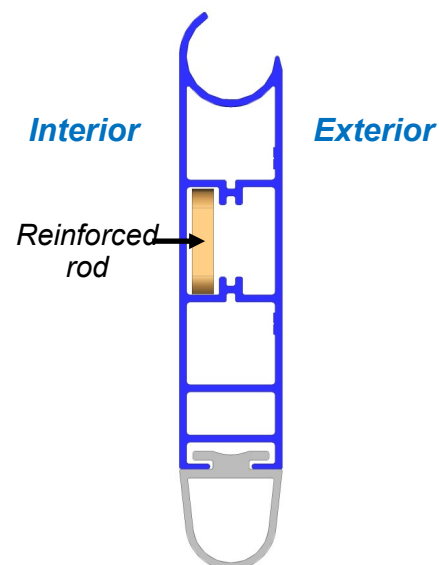
Keep and deliver to the end customer "The Ownership Card", on which are written the codes that allow the keys to be reproduced.
(Without this card, reproduction of the keys is impossible).

Info : The lock is delivered with **4 keys**.


Lock assembly

Please note : The end-slat is delivered with the lock rods assembled.

- 1 **Check :** The rods are in the chamber on the inside of the end-slat.
 If this is not the case, install them as shown opposite by pulling the end-slat out from the guiding rails.
- 2 **Identify :** The direction of the lock.
 Position the female bolt, right inside view as below (zoom).
 The pins are aligned with the holes of the rods.
- 3 Fasten the whole with the screw kit, included in the lock package and the accessory package.



- Components:**
- 4 TRCC M6x55 ZN screws
 - 1 protection plate
 - Complete V.A.K pump Lock case (bolts, pins, lock)
 - Anti-bucking disc
 - Anti-drilling disc
 - 5 TUFNUT M6 nuts
 - V.A.K pump housing*
 - 1 protective sleeve*

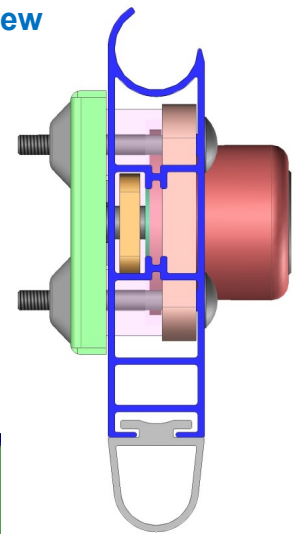
 *** Delivered in the shutter package**

TUFNUT nuts

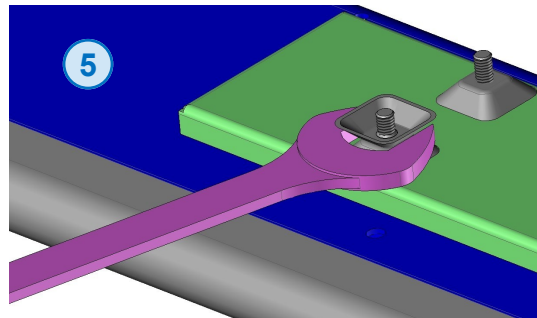
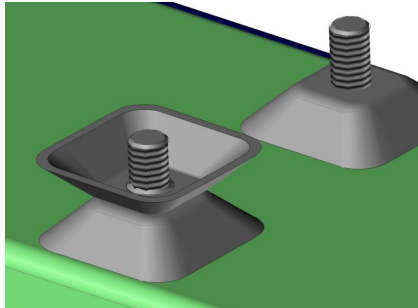
Your lock is assembled, as shown opposite, with the nuts loose.

Tufnut operation :

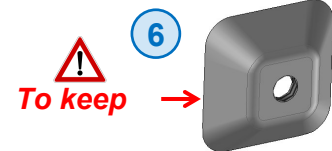
Side view



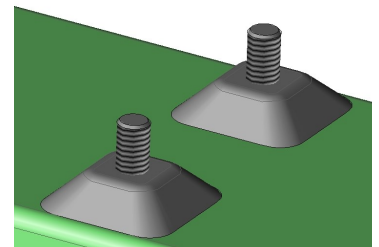
- ④ **Tightening :** Using the additional Tufnut, screw it upside, down from the first one, until contact with the first nut. Loosen the nut by 1/4 turn.



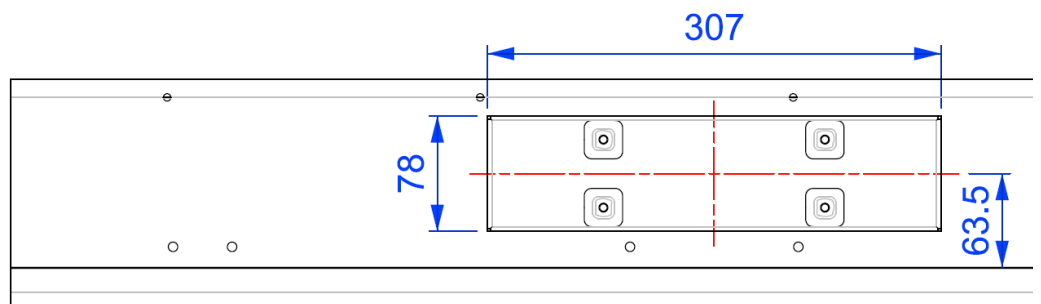
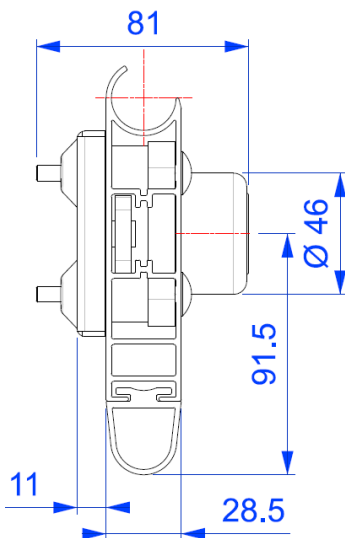
- ⑤ Using a 21 (min.) open-end wrench or an adjustable wrench, tighten the cover on the end-slat.
- ⚠ Check that the lock works properly when all the nuts are tightened.



- ⑥ Remove and hand over to the end customer, the nut which enables intervention on the lock block.



Dimensions (in mm)



Interior view

