

# Manual

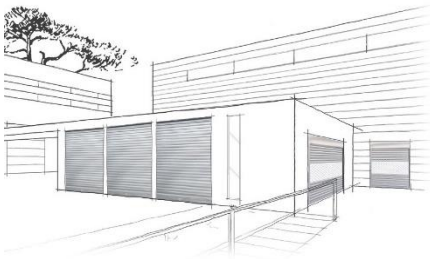
## N° 1801

01/20

# INSTALLATION

## *Security Roller Shutter*

### *MiniMax motorized*



**HOUSING 205**

*(47 step)*



(Document reserved for installers)

# Contents

Installation instructions .....	3
Before installation .....	3
Required equipment.....	3
Layout .....	4
Product presentation.....	4
Product installation .....	5
Dimensional checks .....	5
Spotting & Drilling of fastener points .....	6
Fixing the roller shutter .....	9
Accessory placement.....	10
Setting the shutter.....	11
Standard connection.....	11
Prior verification .....	11
Setting the limit-switches .....	12
Verification of proper operation.....	13
Network management.....	13
Options .....	15
Add a shutter to the master remote control "Zoe" .....	15
Control plug .....	16
Box Calyps'HOME .....	17
Using the control .....	18
Resolution of problems linked to motorization .....	19
Reset .....	19
Other problems.....	20

## Installation instructions



**Read the manufacturer's instructions before using the product**

**Important safety instructions for installation :**

**Improper installation can lead to serious injury.**

**Follow all of these instructions and those in the enclosed package inserts and keep them.**

**No changes in the design or configuration of the equipment shall be made without prior consultation with the manufacturer or their authorized representative.**

**User Warning : Important safety instructions.**

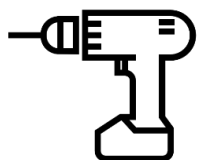
**WARNING!**

**It is important for personal safety to follow these instructions and keep them.**

- Do not allow children to play with the controls.
- Keep the remote control out of the reach of children.
- Check the installation frequently for signs of wear or damage to the cables.
- Do not use the fence element if repair is required.
- For fence elements that can be operated out of sight of the shutter; the user must take the necessary measures to prevent any operation of the fence element during maintenance operations (window cleaning).
- For inspection or maintenance of electrical parts, the lock must be safely disconnected from the power supply.
- In frosty weather : Do not operate the roller shutters; Deactivate the programming of opening and closing times by timer.

## Before installation

### Required equipment



Screwdriver



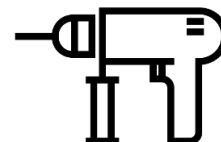
Tape meter



Spirit level



Plumb bob



Drill



Screwdriver -  
cross-head



Square  
end-piece



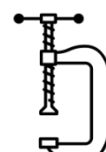
Cross-head  
tip



Mallet

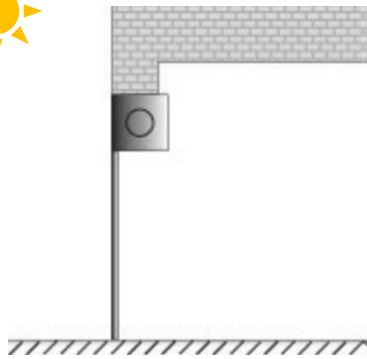


Pencil



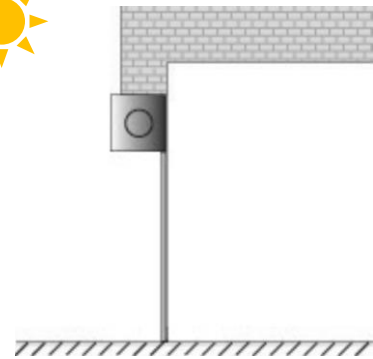
Clamps

## Layout

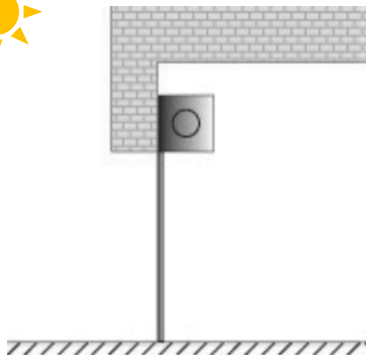


*Inner rolling*

### INTER-WALL INSTALLATION

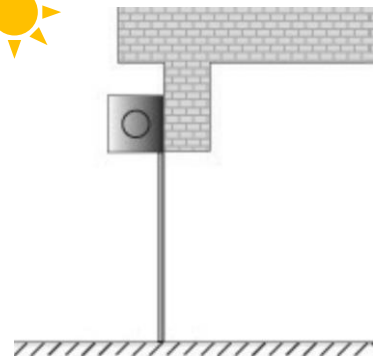


*Outer rolling*



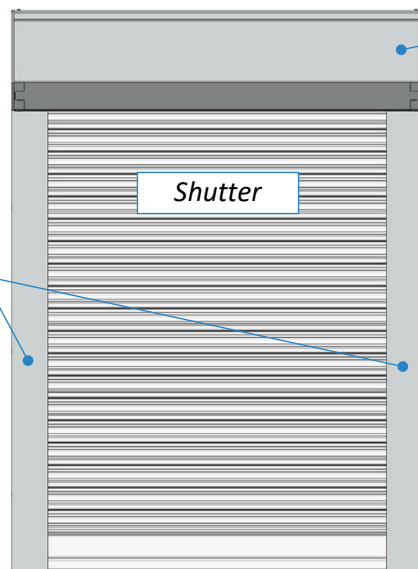
*Inner rolling*

### WALL-MOUNTED INSTALLATION



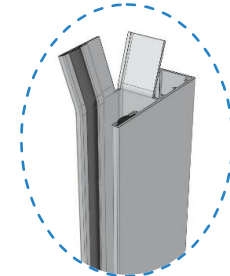
*Outer rolling*

## Product presentation



*Housing 205 ; Shutter delivered*

*The pair of guiding rails is made with 2 start curves to set up during mounting*

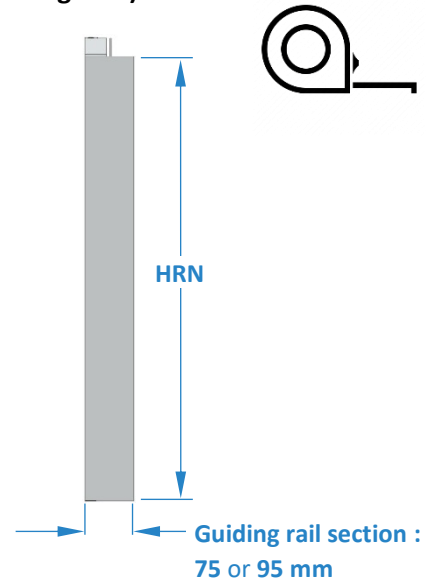
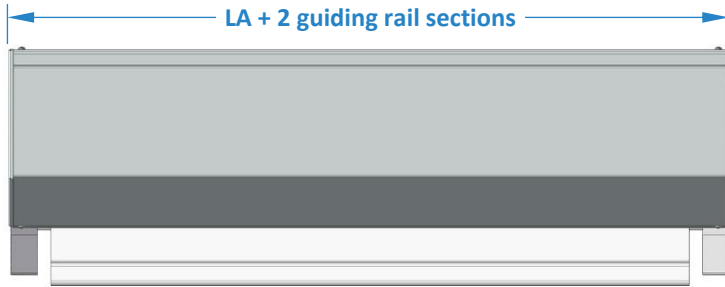


*Accessory pack*

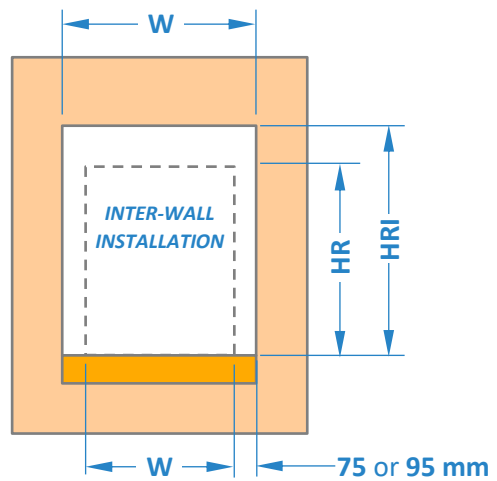
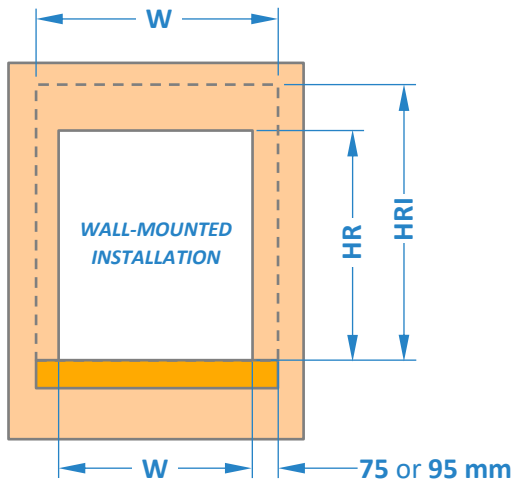
# Product installation

## Dimensional checks

1. Check the dimensions of the supplied roller shutter (casing and guiding rails).

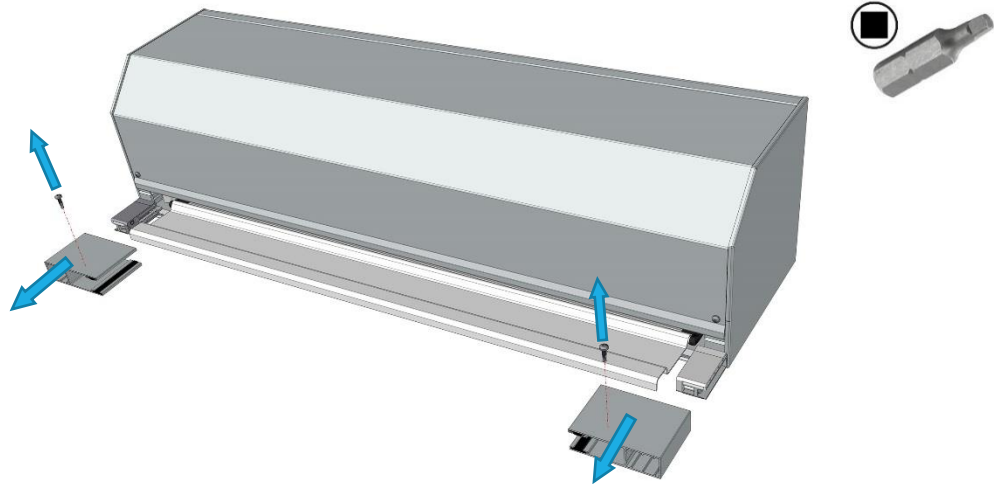


2. Check the dimensions of the masonry.

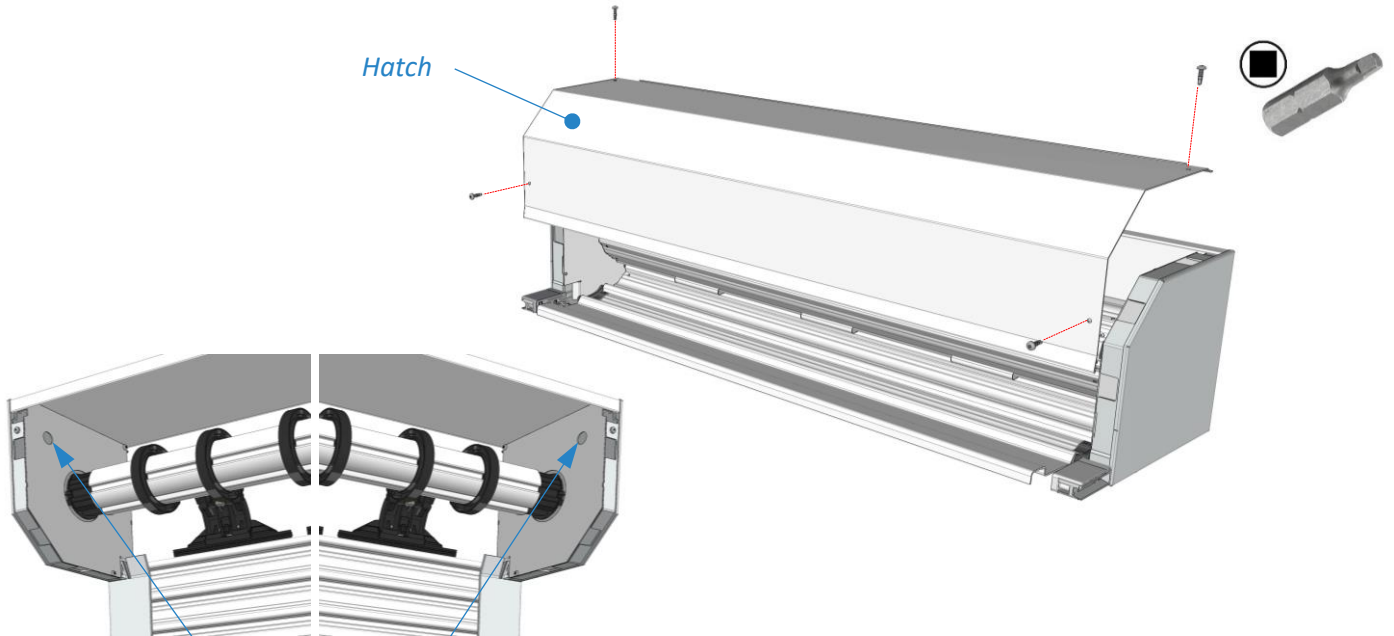


## Spotting & Drilling of fastener points

1. Remove the screws and transport shims from the housing.

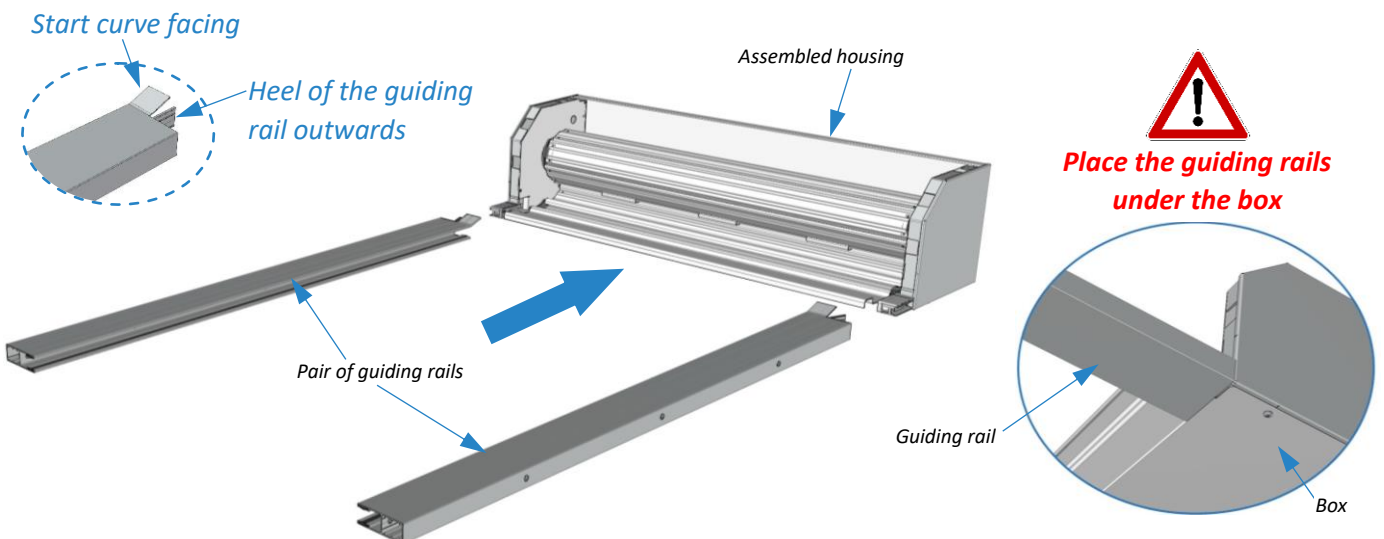


2. Disassemble the inspection hatch of the housing.

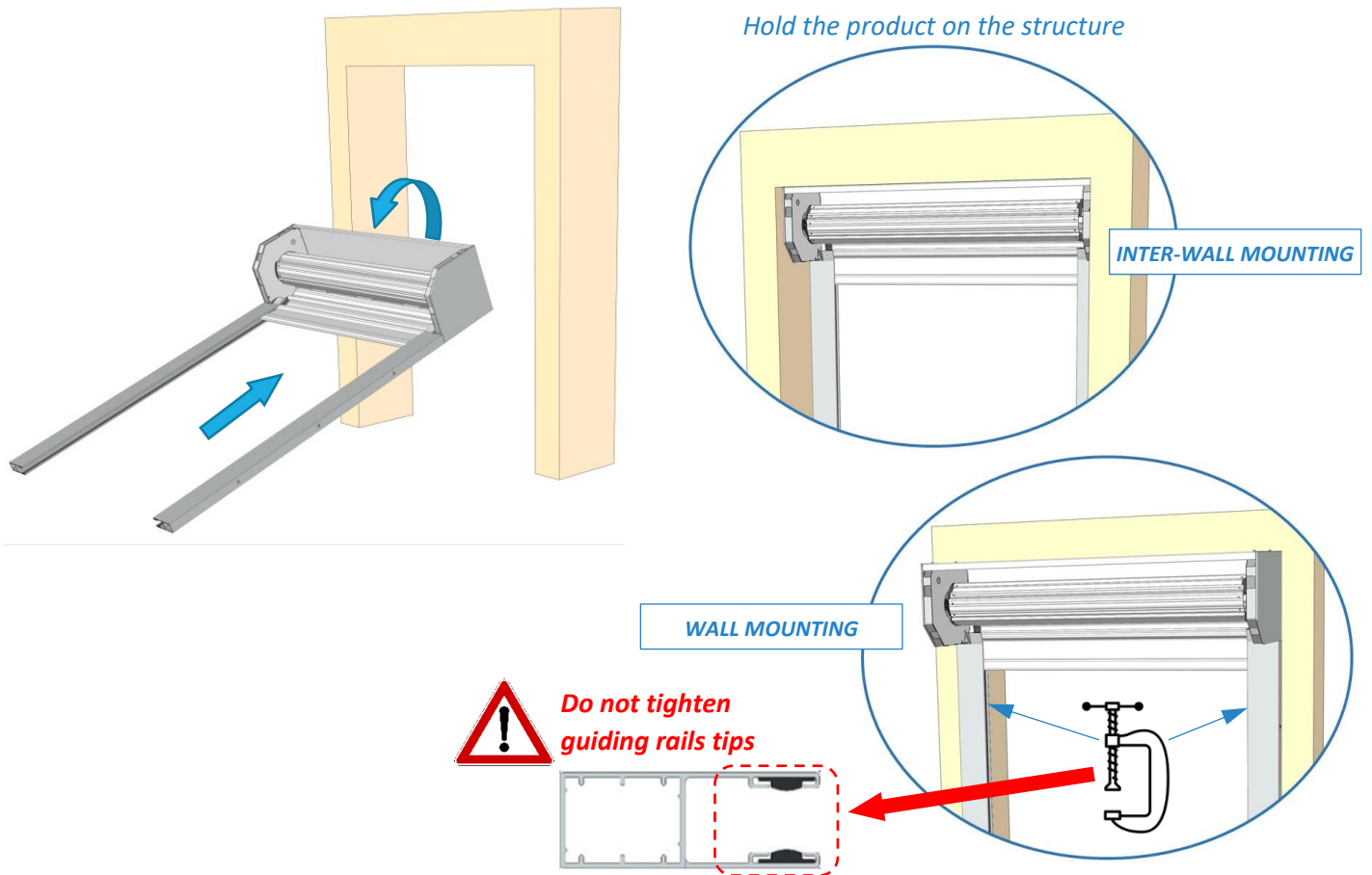


**Please note :** In the case of inter-wall installation, drill the panels ( $\varnothing 8$  mm) in the flange holes.

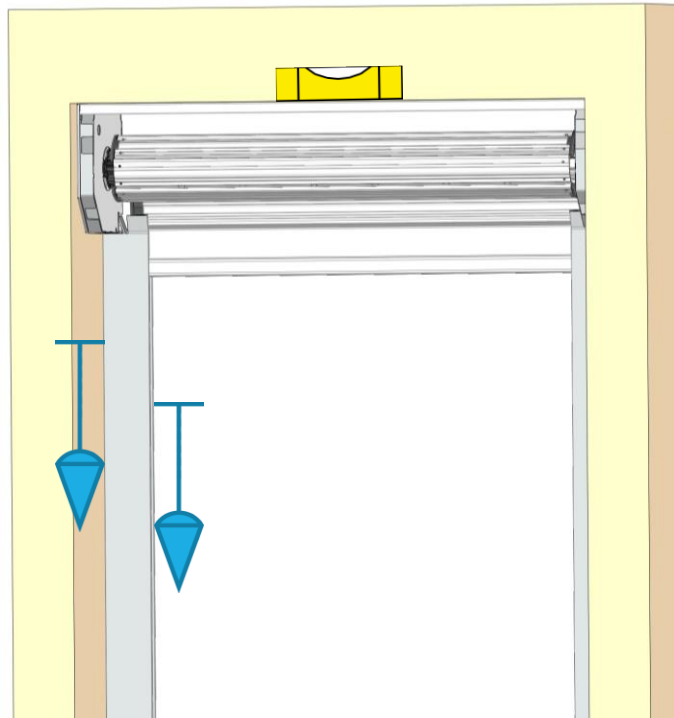
3. Insert guiding rails on assembled housing.



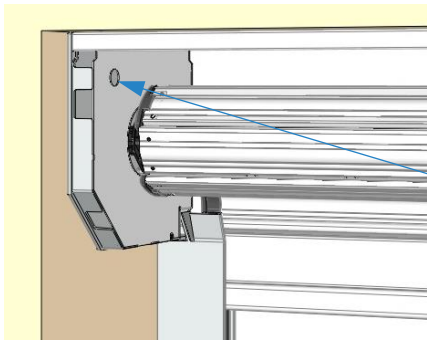
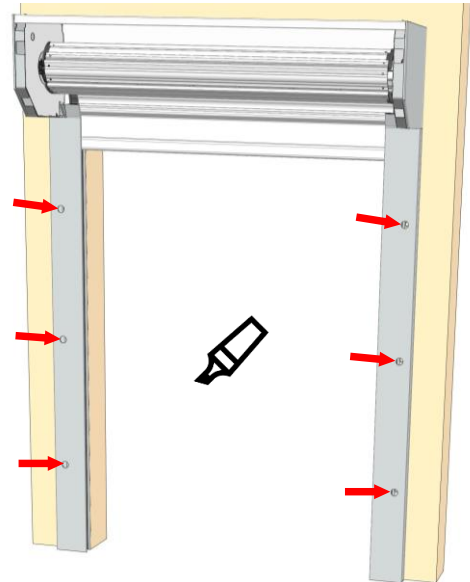
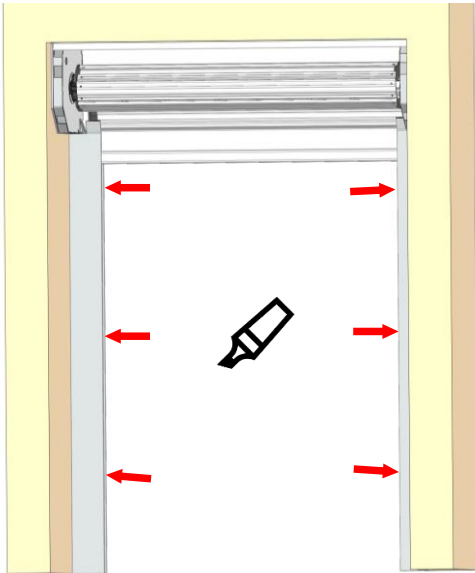
**4. Present the assembly, according to the type of installation, at the intended location.**



**5. Check guiding rail and box levels.**

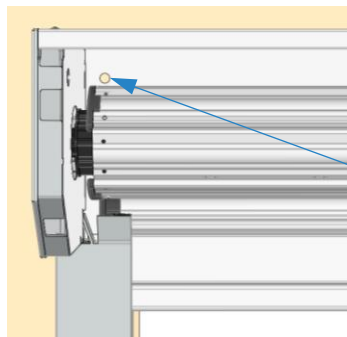
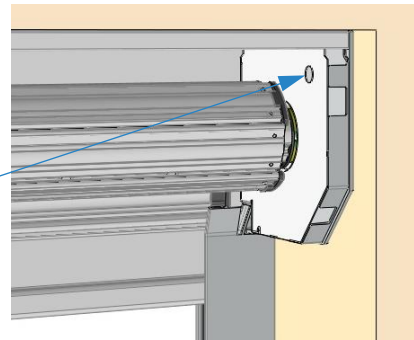


6. Mark the fixing points for the guiding rails and the housing.



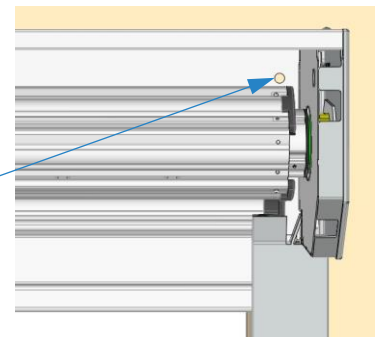
**INTER-WALL MOUNTING**

Mark on the wall,  
the panel attachment points



**WALL MOUNTING**

Mark on the wall,  
the housing attachment points



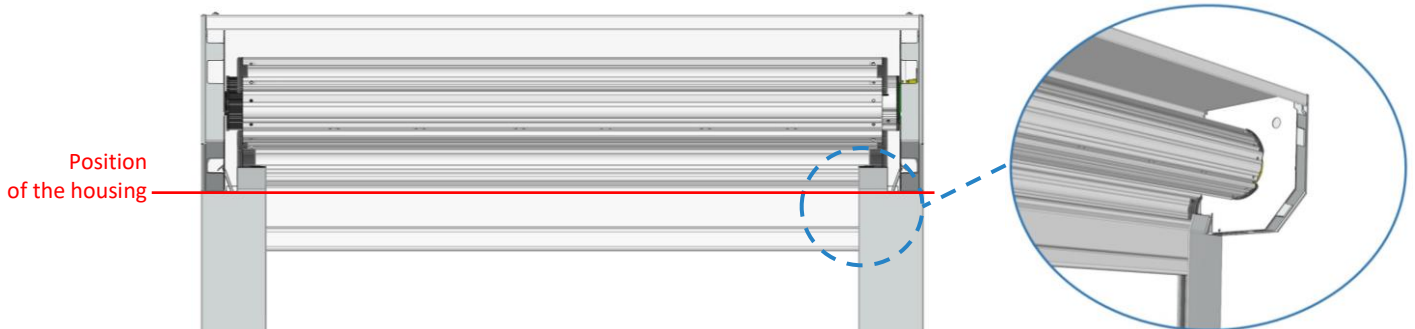
**Please note :** If the attachment points are not reachable ;  
Lower the shutter until you reach the fixing points :  
See chapter "**Shutter setting** → **Standard connection**".



**Info :** If the shutter doesn't react :  
See chapter "**Resolving problems linked to motorization** → **Reset**".

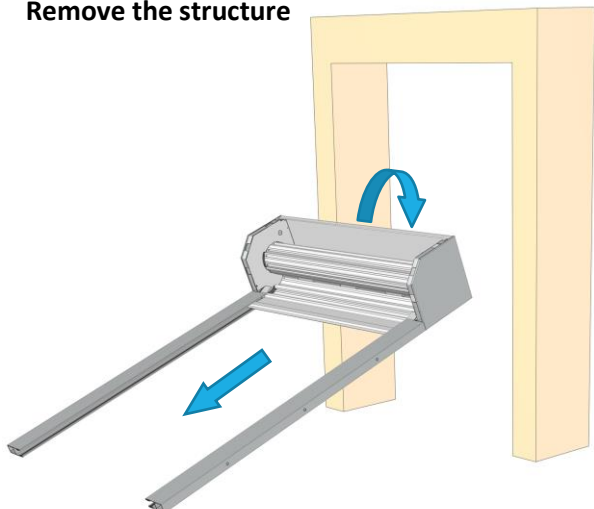
Then mark the fixing points.

Reassemble the shutter until the end-slat protrudes approximately 60 mm from the housing.

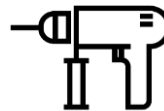




## 7. Remove the structure

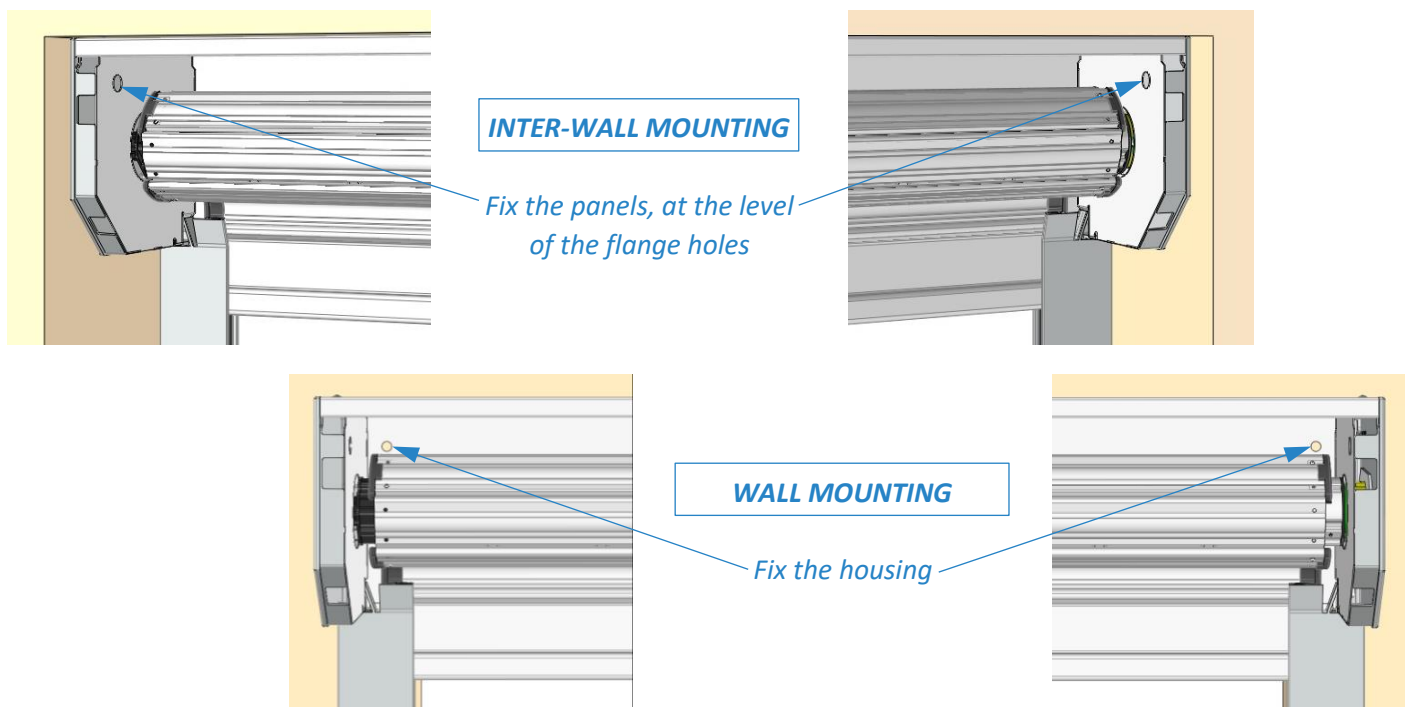


then drill the mounting holes in the wall.



## Fixing the roller shutter

1. Reposition the structure on the masonry.
2. Fix the slides to the masonry ( $\varnothing 8$  screws not supplied).
3. Attach the housing (Screws not provided)

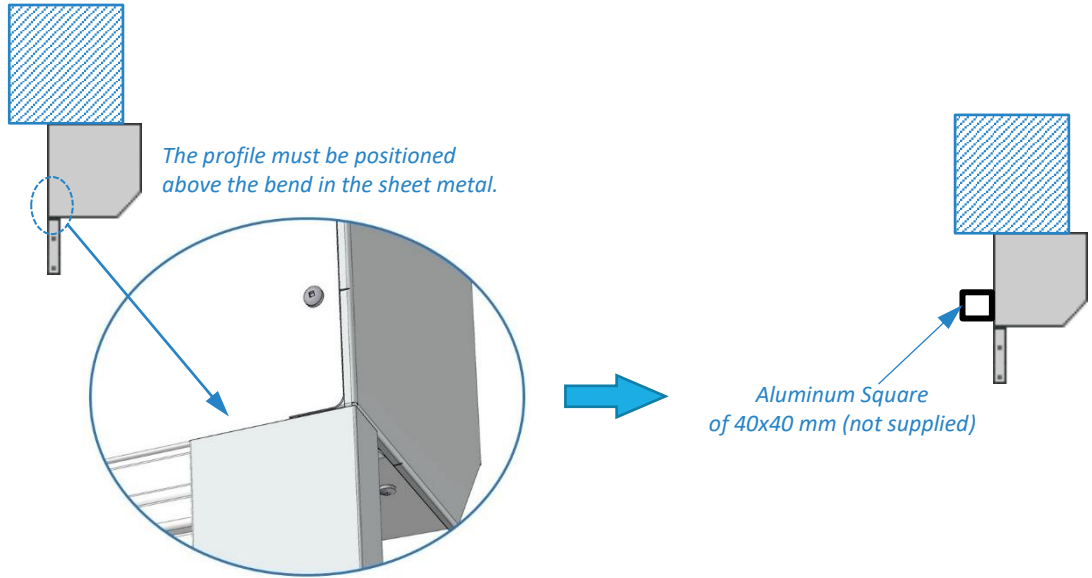


**Securely fasten the housing to the wall, as it will support the weight of the shutter.**

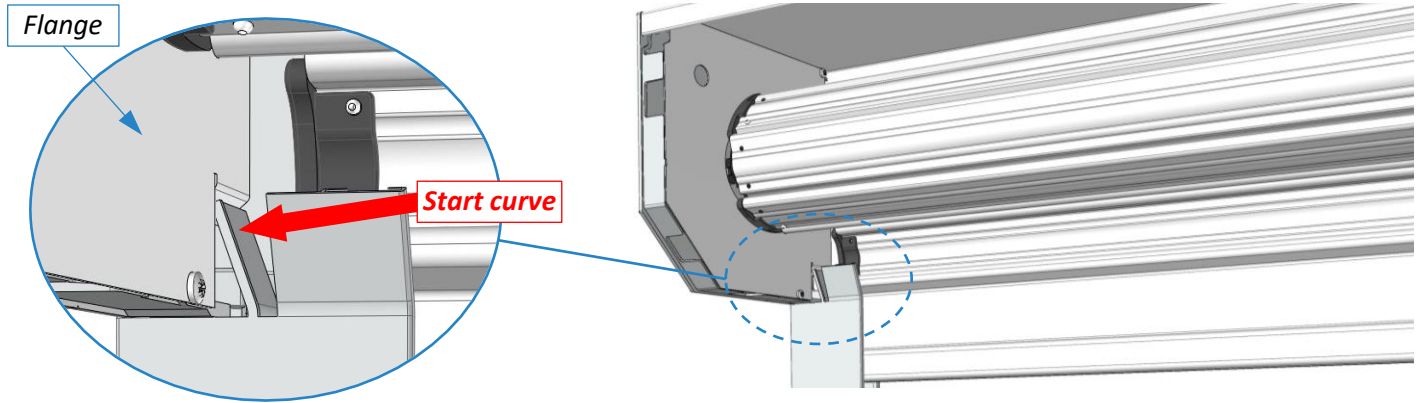


**In the case of installation under the overhead or wall-mounted installation with an overhead height < 250 mm, a profile (not supplied) must be fitted along its entire length to fix and stiffen the rear sheet of the housing to ensure correct locking of the shutter.**

**Sample profile :**



**4. Twist side start curves, inside flanges.**

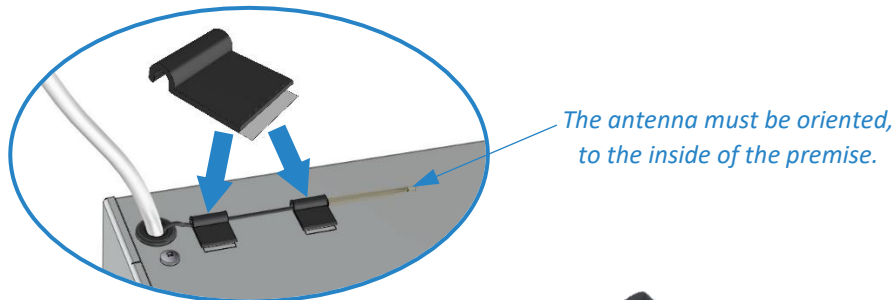


**5. Reassemble the inspection hatch, using the 4 self-drilling screws TBC Ø4.2x16.**

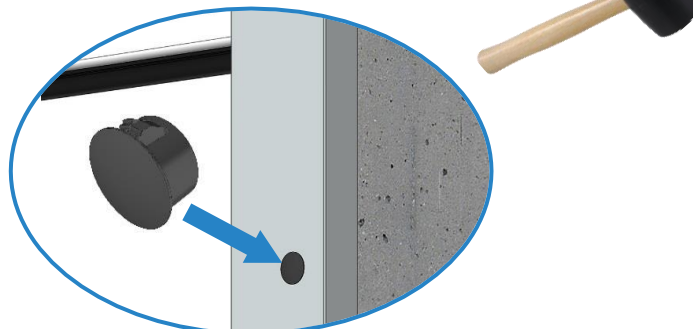


## Accessory placement

**1. Stick the adhesive supports, to hold the radio antenna.**

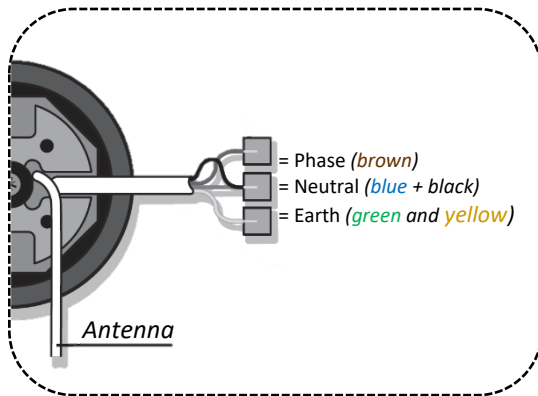


**2. Insert finishing plugs, if wall-mounted.**



# Setting the shutter

## Standard connection



**Connect the wires**  
**Blue + Black**

## Prior verification

### Pairing of remote control :



**The wall or handheld remote control is factory paired with its operator ;  
It is in a white pouch, stapled to the accessory packet.**

After switching on the operator, press the remote control key :

**The shutter responds :** The remote control is paired with the operator → Switch to "**Limit switch setting**".

**The shutter does not react :** Set a **Reset** → See "**Resolution of problems linked to motorization** → **Reset**".

### Glossary :

**Network :** Name given to all the shutters and remote controls of a single installation.

Only integrated shutters, in the same network, can work together.

**Coordinator :** Function assigned to one of the shutters, of the same installation, during programming.

Each network requires the presence of a coordinating shutter.

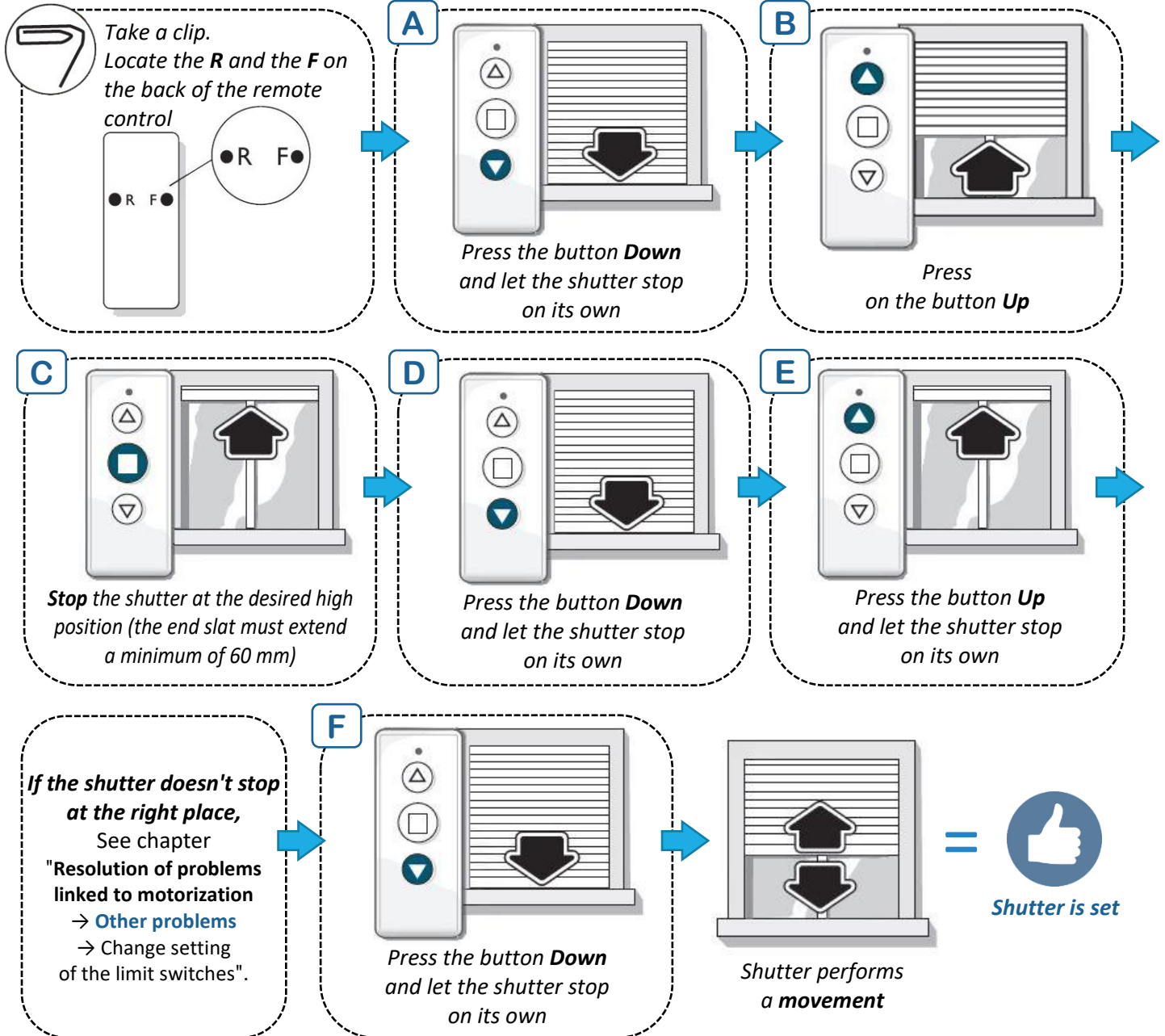
## Setting the limit-switches



**Before setting the limit switches, make sure that the rear sheet of the housing is rigid (rests on the overhead or the reinforcing bar in inter-wall installation).**

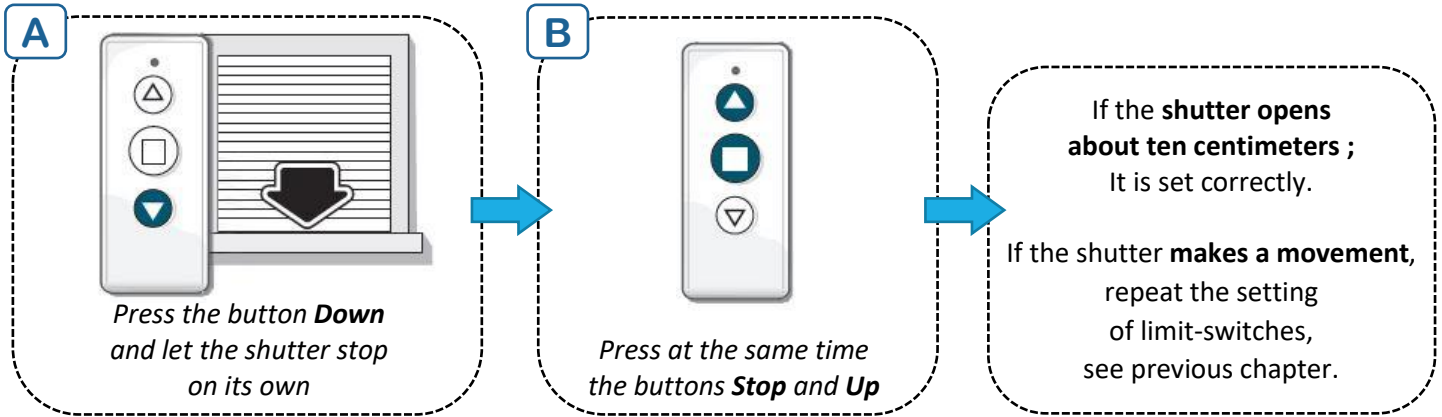


**Before setting the limit switches ; If the direction of rotation is incorrect,**  
See chapter "Resolution of problems linked to motorization → Other problems".



## Verification of proper operation

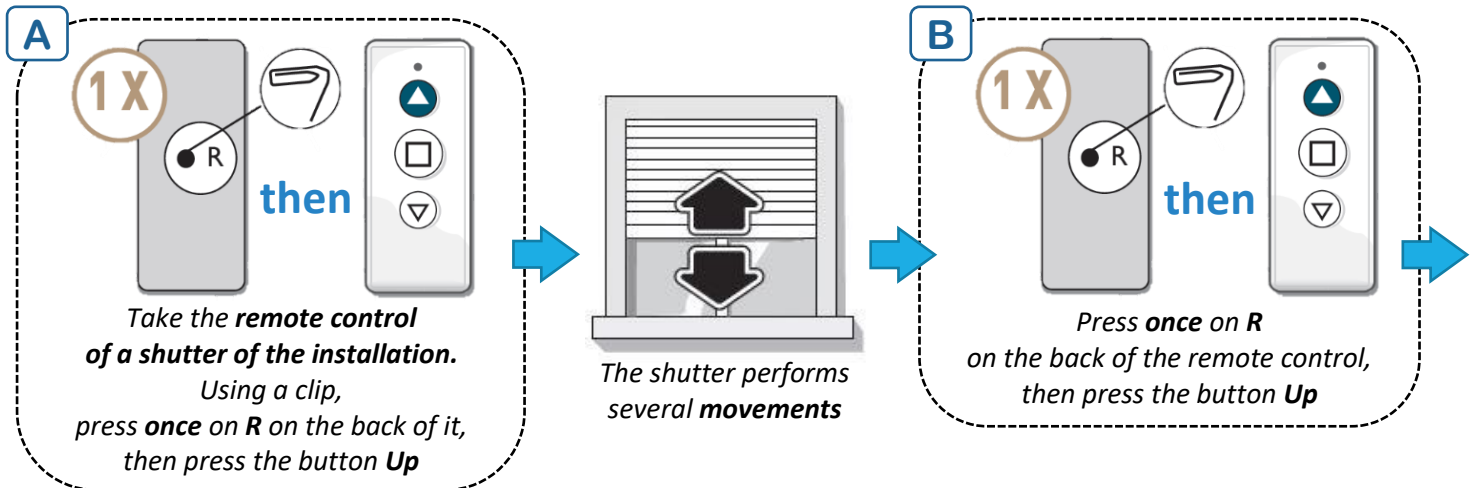
Test whether the limit switch setting has been saved correctly :



## Network management

**Please note** : If an installation has several roller shutters ; A network can be created.

Create a new coordinator :

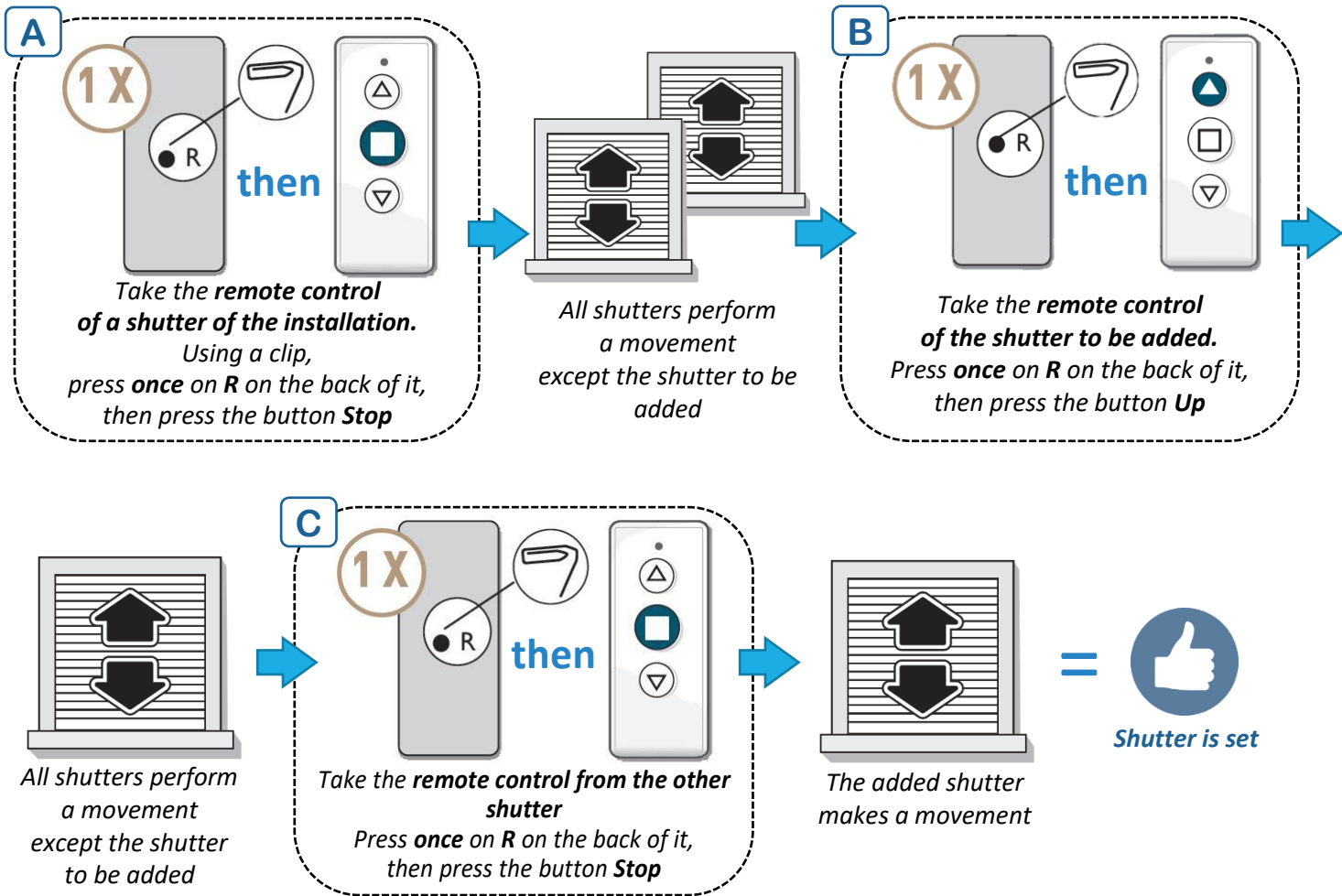


The shutter performs a **movement**

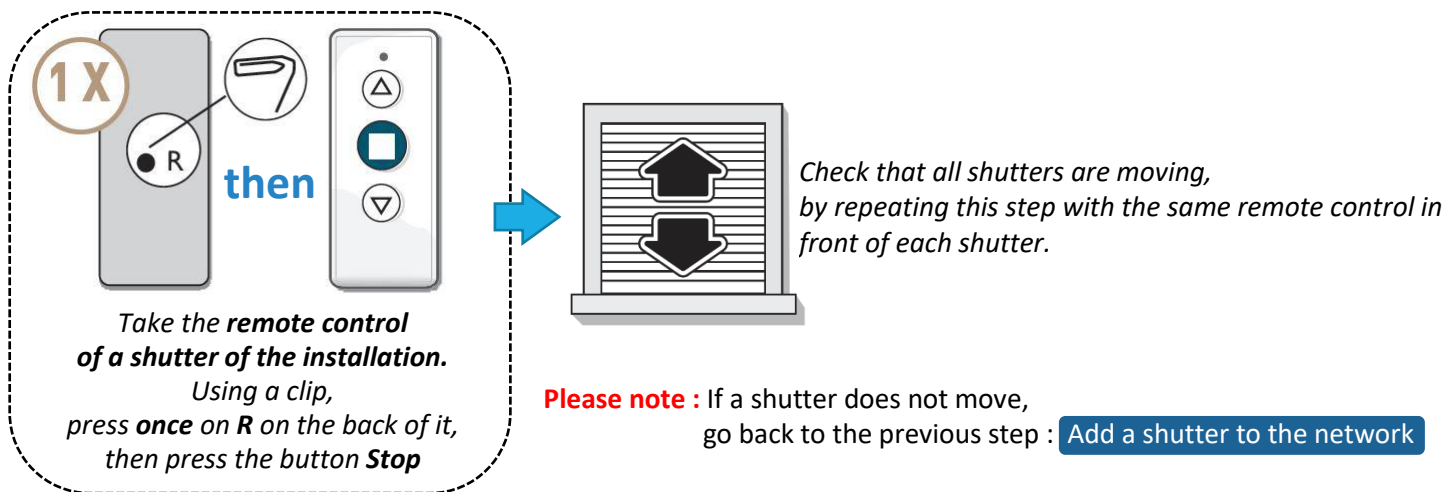
➔ Skip to the next chapter : **Add a shutter to the network**

Perform the steps **B** and **C** for each shutter of the installation.

Add a shutter to the network :



Check that all shutters are in the network :

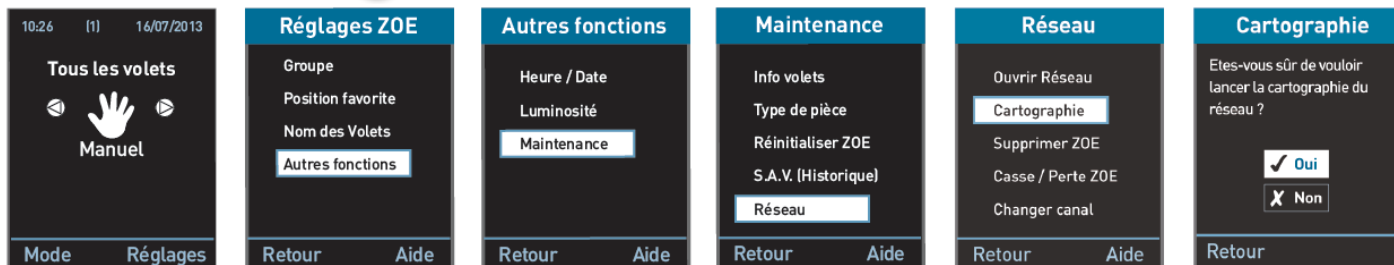


# Options

## Add a shutter to the master remote control "Zoe"

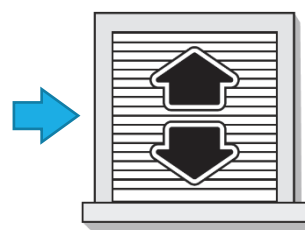
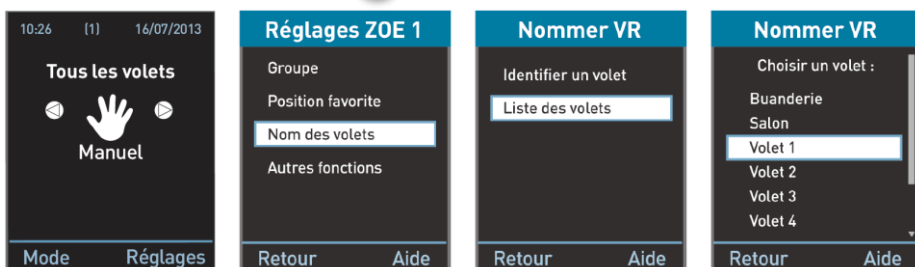
### 1. Find shutter :

Press the **Settings** button 



### 2. Name the shutters :

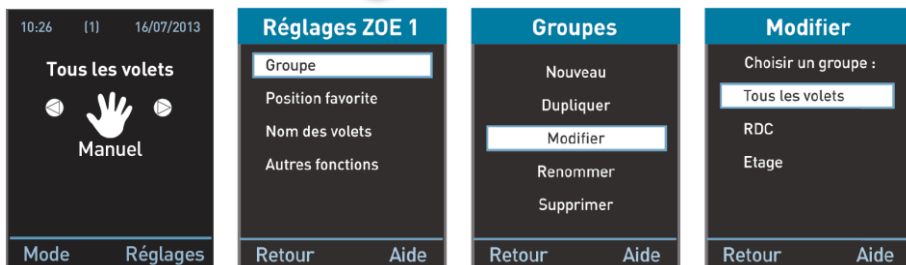
Press the **Settings** button 



The selected shutter makes a movement

### 3. Add the shutters to the group :

Press the **Settings** button 

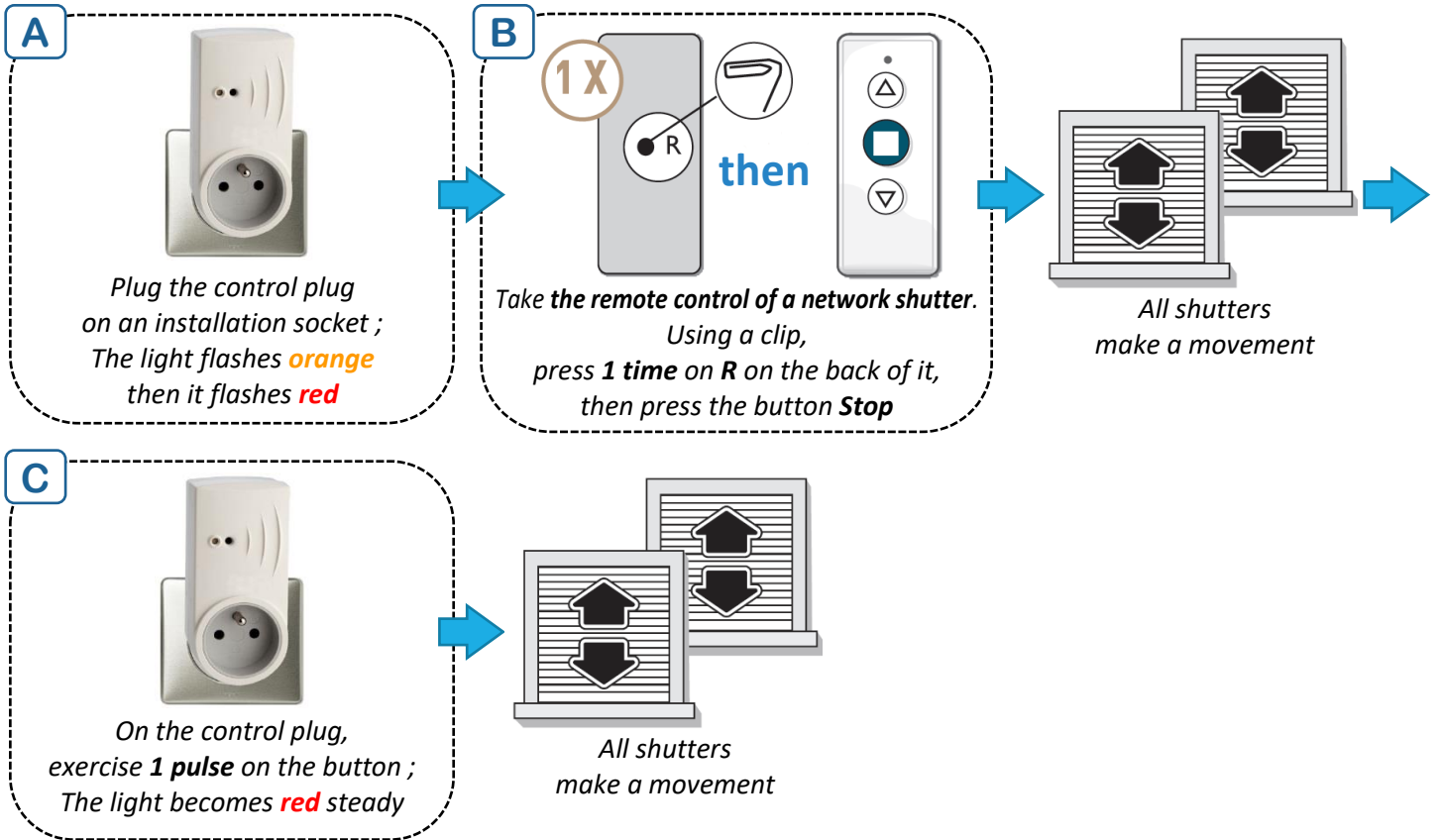


### 4. Scroll down the list of shutters until you reach "Save" then **validate**.

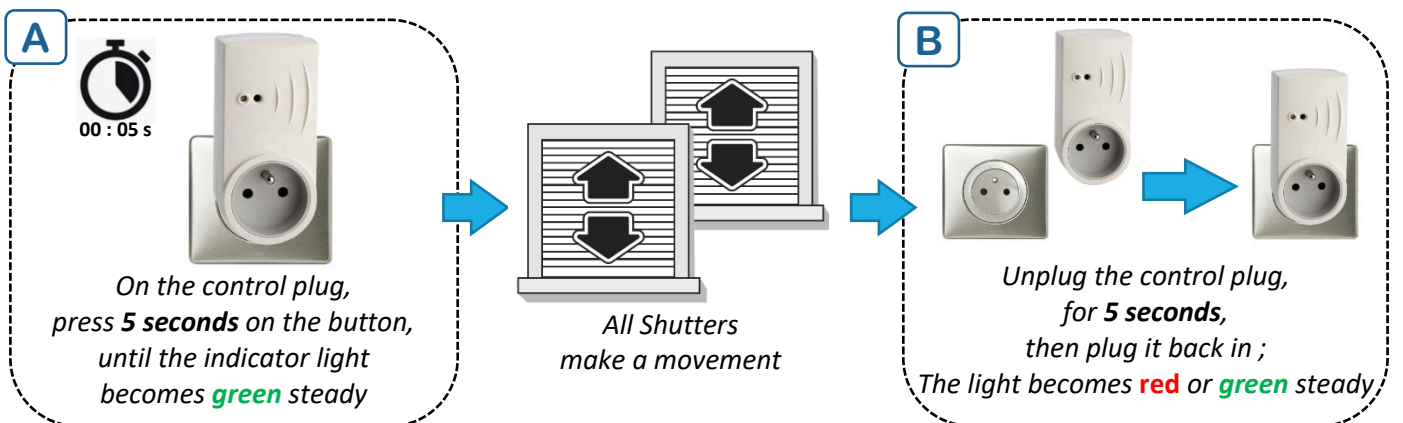
## Control plug

### Add the control plug to the network :

The control plug can be used as a repeater, when 2 shutters of the same installation are far apart.



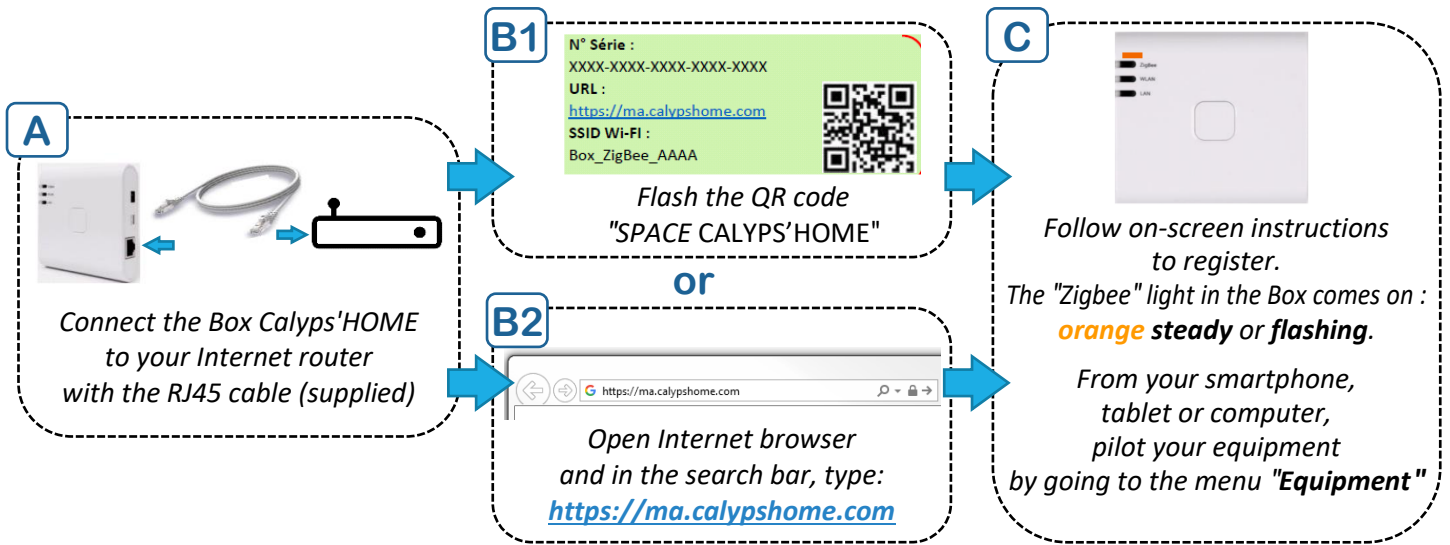
### Check that the control plug is in the network :



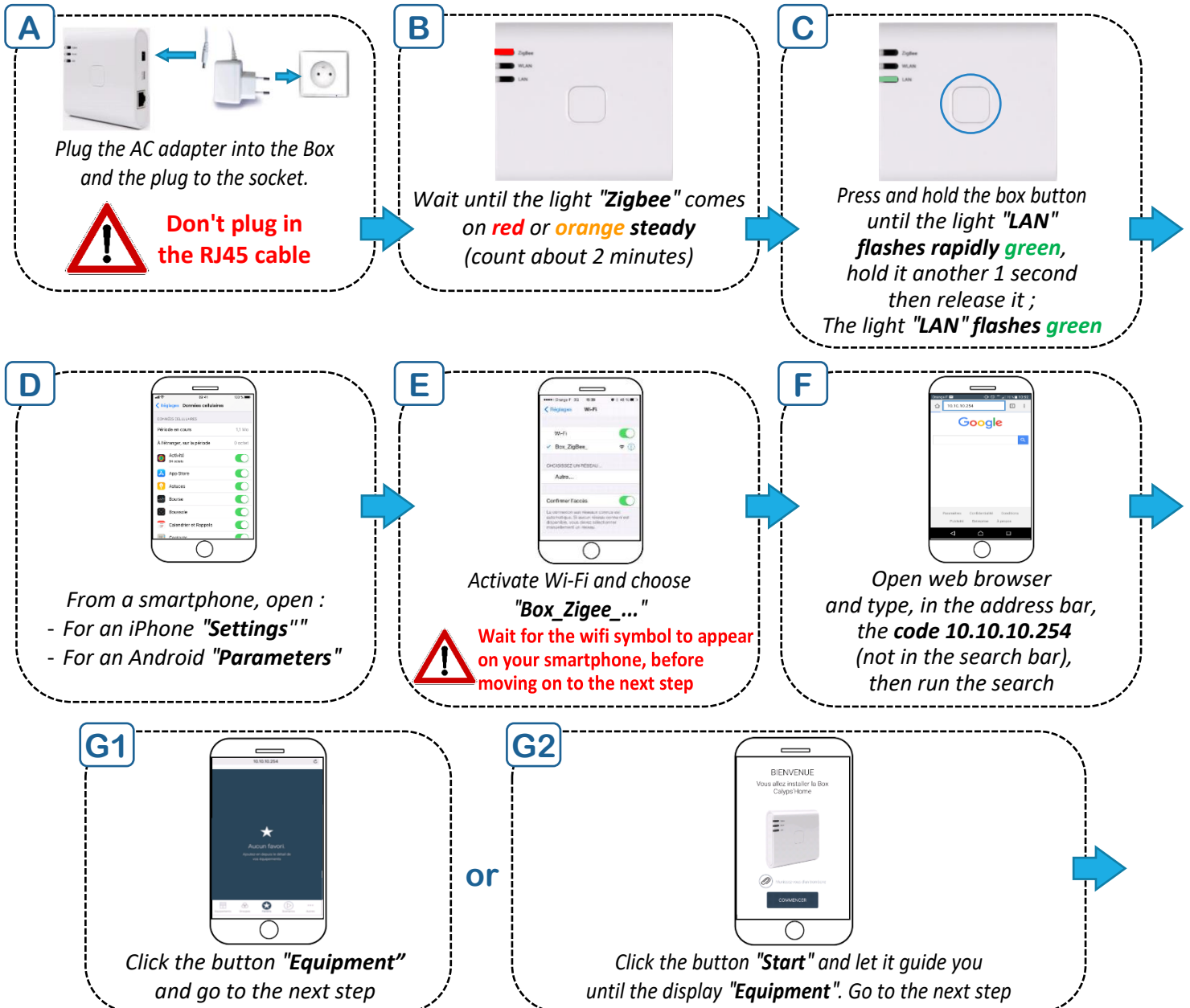


## Box Calyps'HOME

### Creating a user account :



### Installation of the Calyps'HOME Box :



H1



The equipment list is displayed.  
 Wait until the light "Zigbee" comes on **orange steady** :  
**The list is then complete.**  
 Equipment can now  
 be maneuvered for 30 minutes.  
**Beyond 30 minutes, the installation phase must be  
 restarted, repeating the steps from C to H**

H2



The equipment list is not displayed.  
 Click on "Others", then "Reinstall".  
 Resume step **G**

or

## Using the control

Via the button



**1 pulse** on the button,  
 controls the socket ;  
 The light changes color  
 - **Red = OFF**  
 - **Green = ON**

or

Via Calyps'HOME"

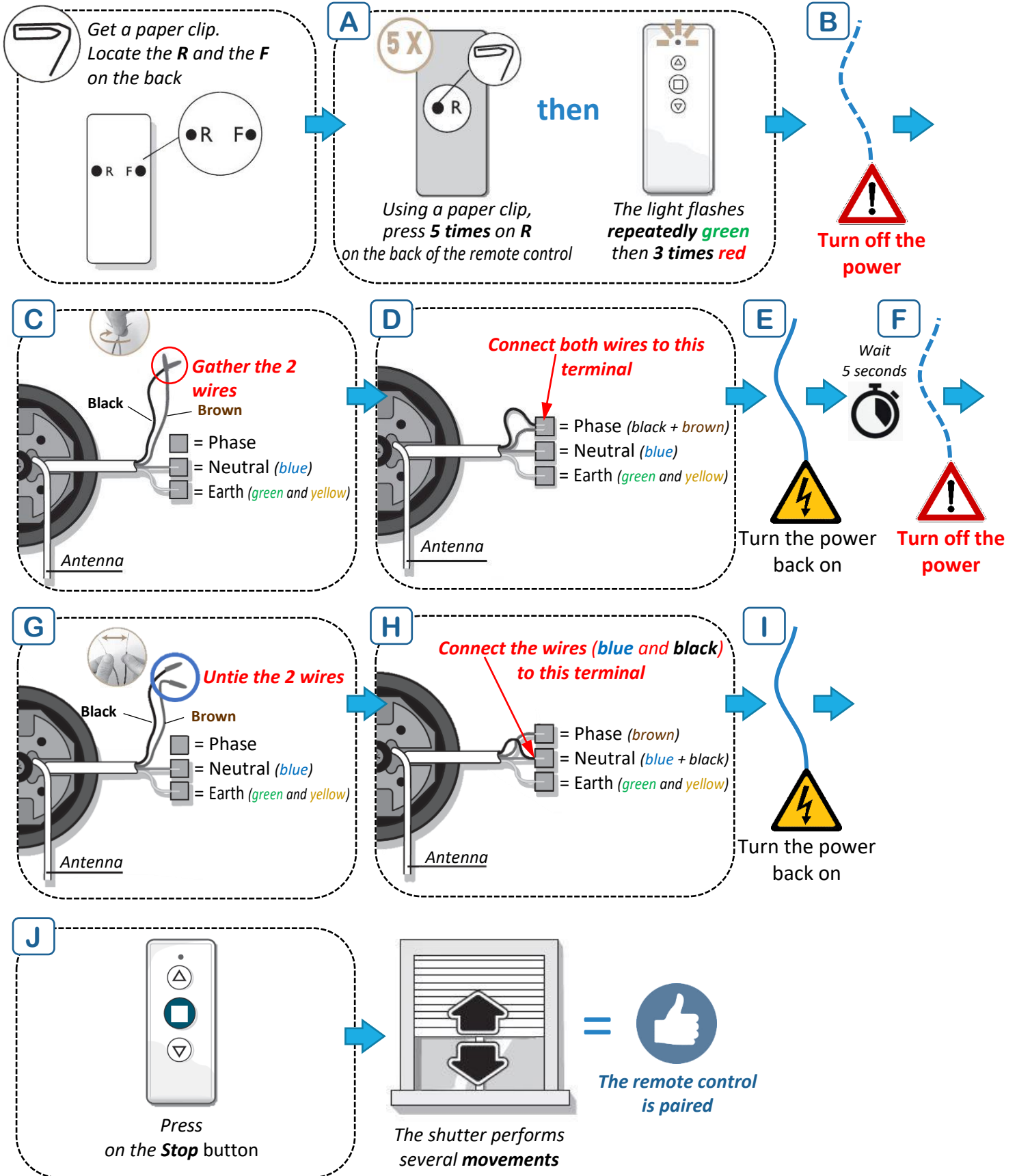


The control  
 plug can be remotely controlled,  
 with consumption measurement,  
 using the Calyps'HOME

# Resolution of problems linked to motorization

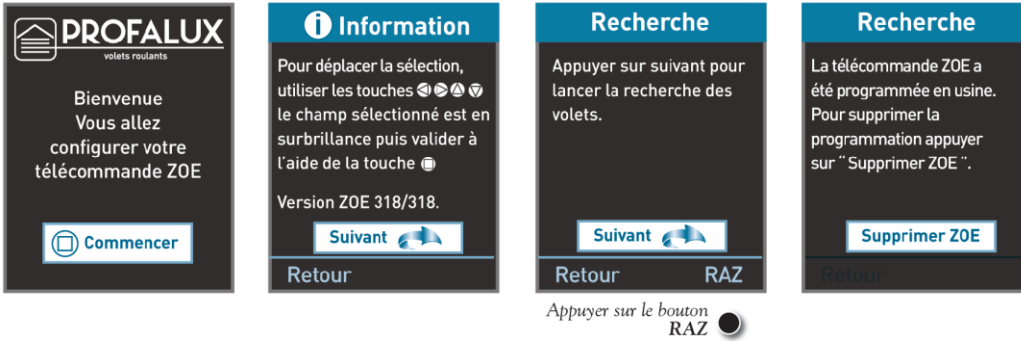
## Reset

### Reset (back to zero) "Remote Control and Operator" :



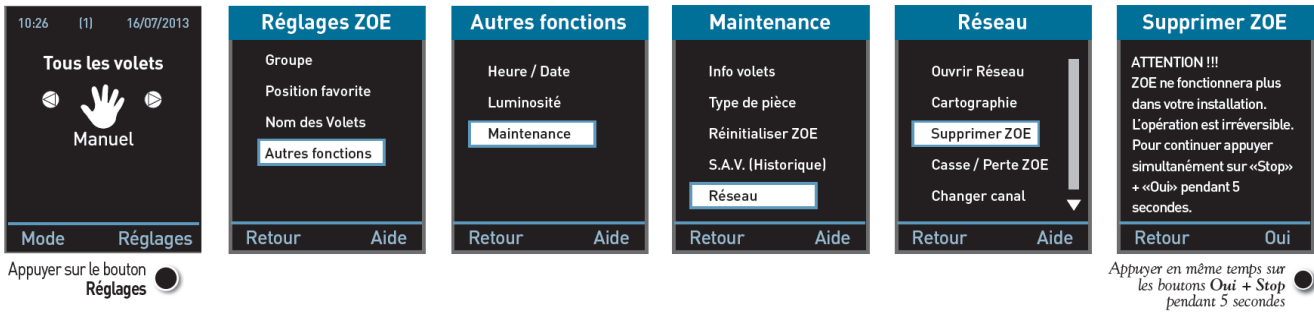
**Reset (back to zero) the master remote control "Zoe" :**

The remote control "Zoe" was never added to the installation



Appuyer sur le bouton RAZ

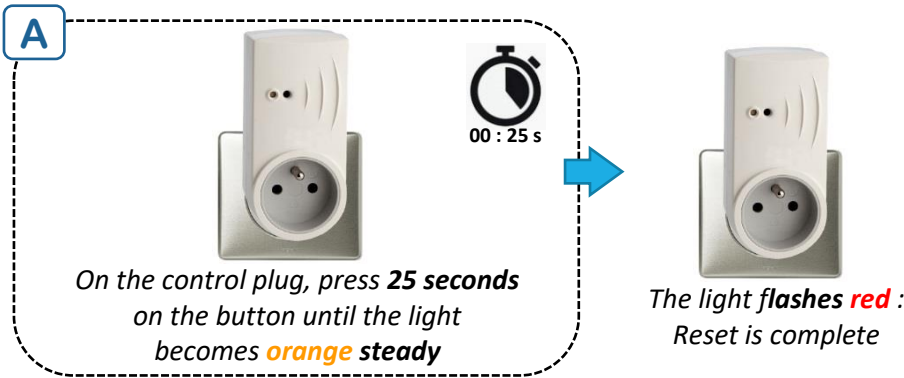
The remote control "Zoe" has already been added to the installation



Appuyer sur le bouton Réglages

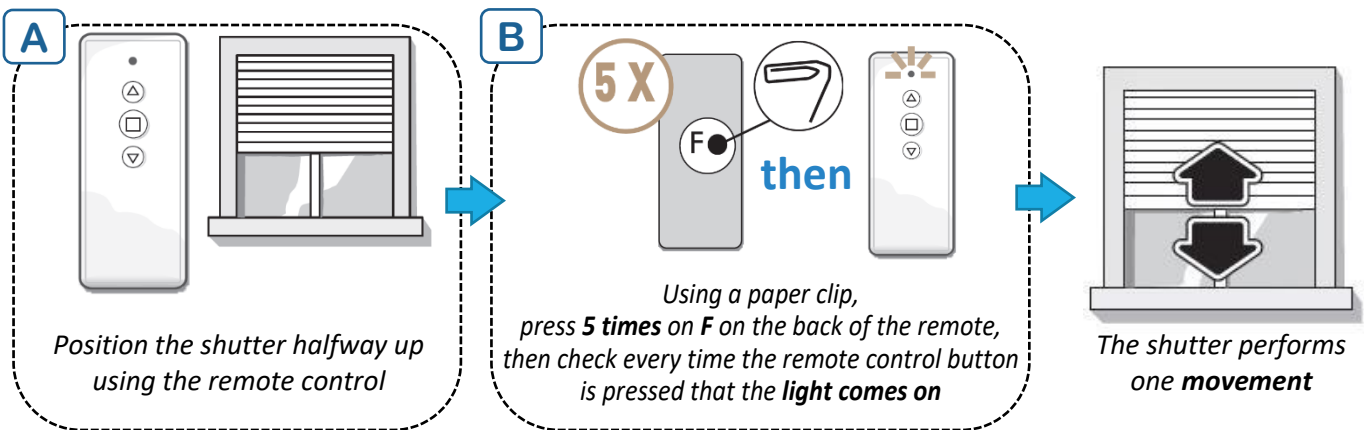
Appuyer en même temps sur les boutons Oui + Stop pendant 5 secondes

**Reset (back to zero) the control plug :**

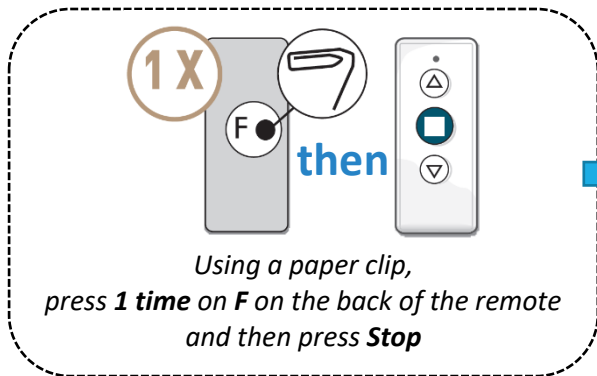


**Other problems**

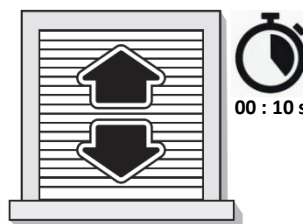
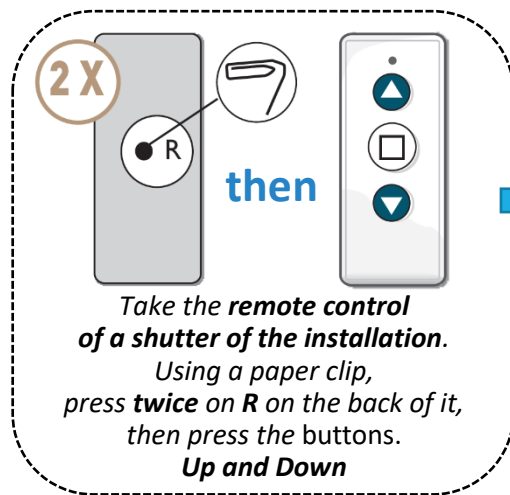
**Change limit switch setting :**



➡ Resume procedure "Limit switch setting", see chapter : Setting the shutter.

**Reverse the direction of rotation :**


**Please note :** Check direction of rotation

**Search for the coordinator shutter :**


Repeat the above step in front of each shutter.

**If no shutter in the installation moves :**

Check the operation of each shutter with its remote control, then repeat the procedure

**Create a new co-ordinator**

See chapter : **Shutter setting** → **Network Management**