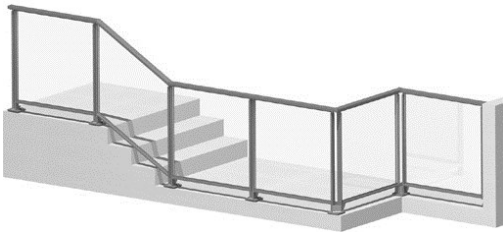


# Manual : N° 7430

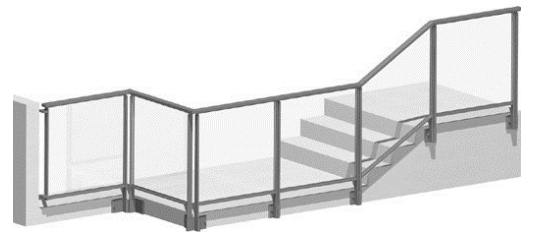
# INSTALLATION

## *Guardrail*

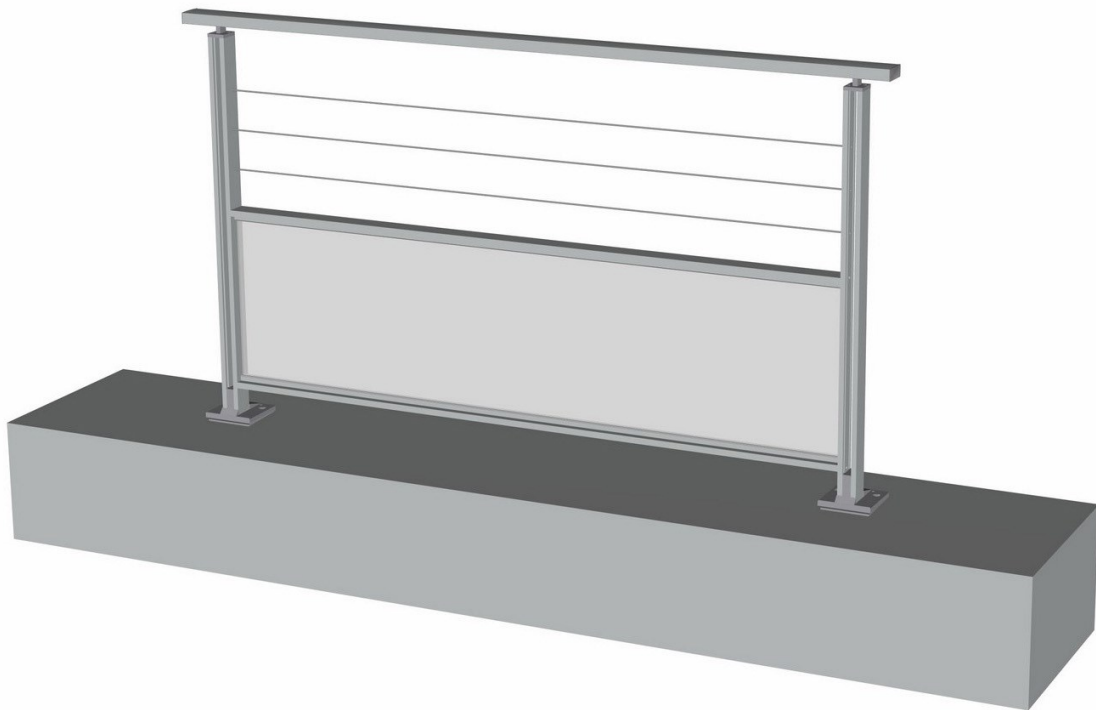


***On slab***

*or*



***Front of slab***



**(Document reserved for installers)**

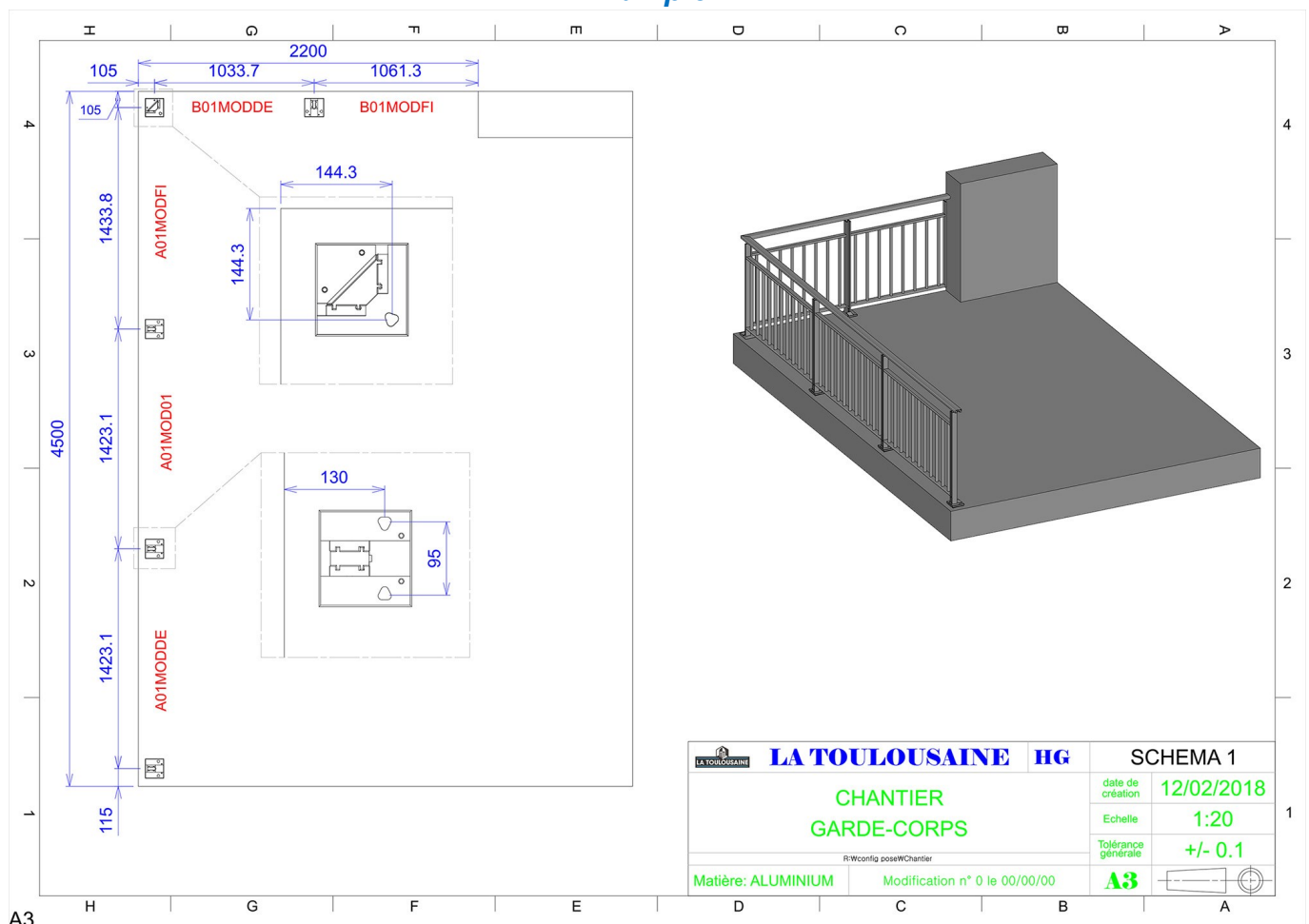
# Summary

Material needed .....	p.2
Installation instructions .....	p.3
Installation on slab .....	p.4
Installation front of slab .....	p.5
Mounting of wall hooks.....	p.6
Type of assembly : Under handrail infill .....	p.7
Type of assembly : Infill under smooth intermediate .....	p.8
Finishes .....	p.10

## Material needed

The plates layout plan is provided with the order acknowledgement and also in the parcel accessories.

*Example :*



- Ladder
- Trestles
- Clamps
- Crowbar-vice
- Laser or bubble level
- Plumb line
- Tape measure (8M)
- Hammer drill
- Screwdriver with torque limiter (with SR2 long tip provided)
- Hacksaw with miter box (handrail cut 45°/90° and clip 90°)

- Mill Ø19 mm
- Universal clamp
- Bit steel Ø9 mm and Ø13 mm
- Flat keys of 8 mm
- Allen keys of 3 mm, 4 mm and 5 mm
- Deburrer
- Silicone gasket
- Hammer
- Rubber mallet
- Necessary tools for floor fixing (drills, flat keys, etc...)
- Supplied of E aluminium shape

# Installation instructions

## **WARNING !**



To ensure that this product is assembled, used and maintained in complete safety, it is important to follow the instructions provided in this document. For everyone's safety, please observe the precautionary measures below.

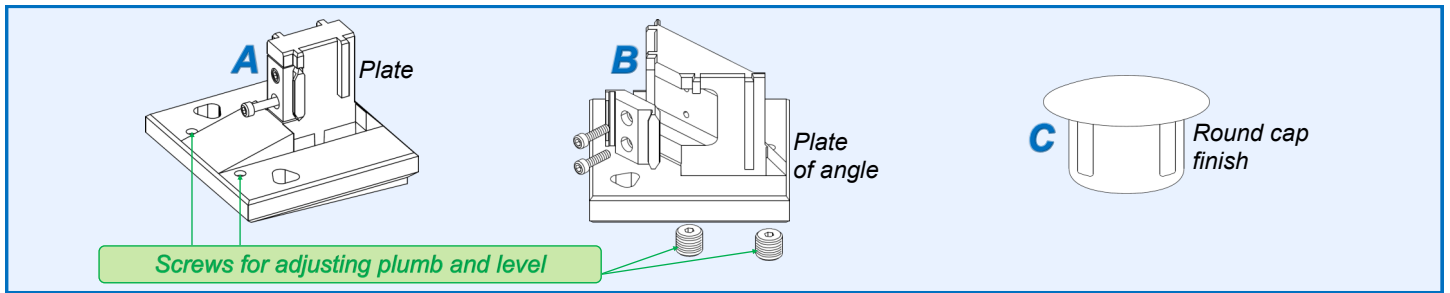


- \* Before proceeding with the assembly, read this instructions carefully.
- \* This guardrail must be installed by a professional installer.
- \* All parts delivered are calculated specifically for this product. Adding and/or using other elements may be detrimental to security and warranty of the product.
- \* Any modifications or improvements to this guardrail must conform to the standards NFP 01-012, NFP 01-013 et NF DTU 39. Disassembly interferes with product compliance.
- \* Work within safety guidelines. Use the necessary tools to implement the product. Ensure work on stable soil.
- \* Ensure that the mounting space is sufficiently bright, clear, clean and marked.
- \* Ensure that no other person than the installers is present on site. Unauthorized persons (children!) who may be present on the site may be injured during assembly.
- \* All components of this guardrail must be installed in accordance with the installation instructions specified in this manual.
- \* All requirements of the standards must be met and verified if necessary.

### **Maximum recommended tightening torque :**

- Connecting screw : **3 Nm**

# Installation on slab



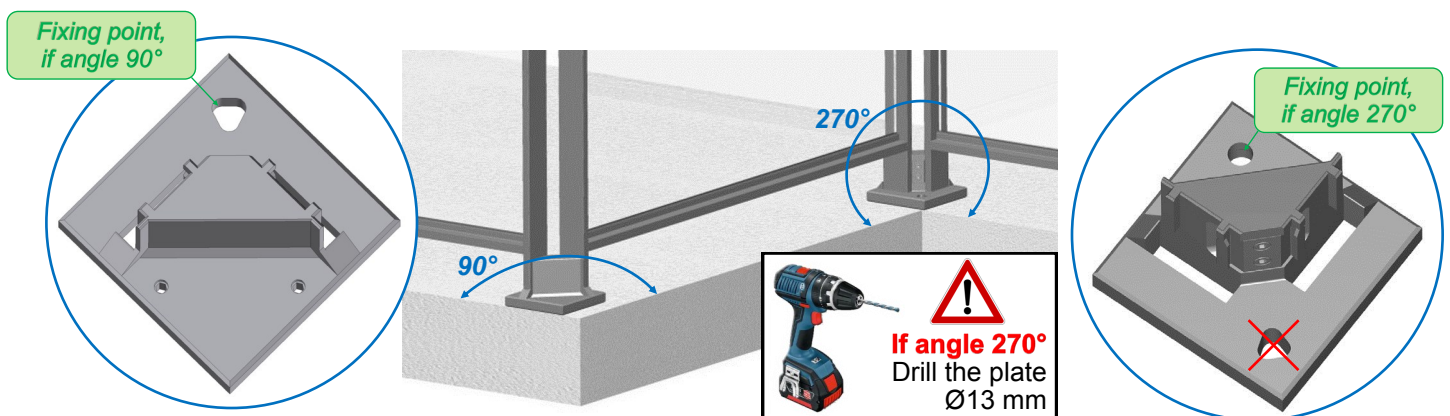
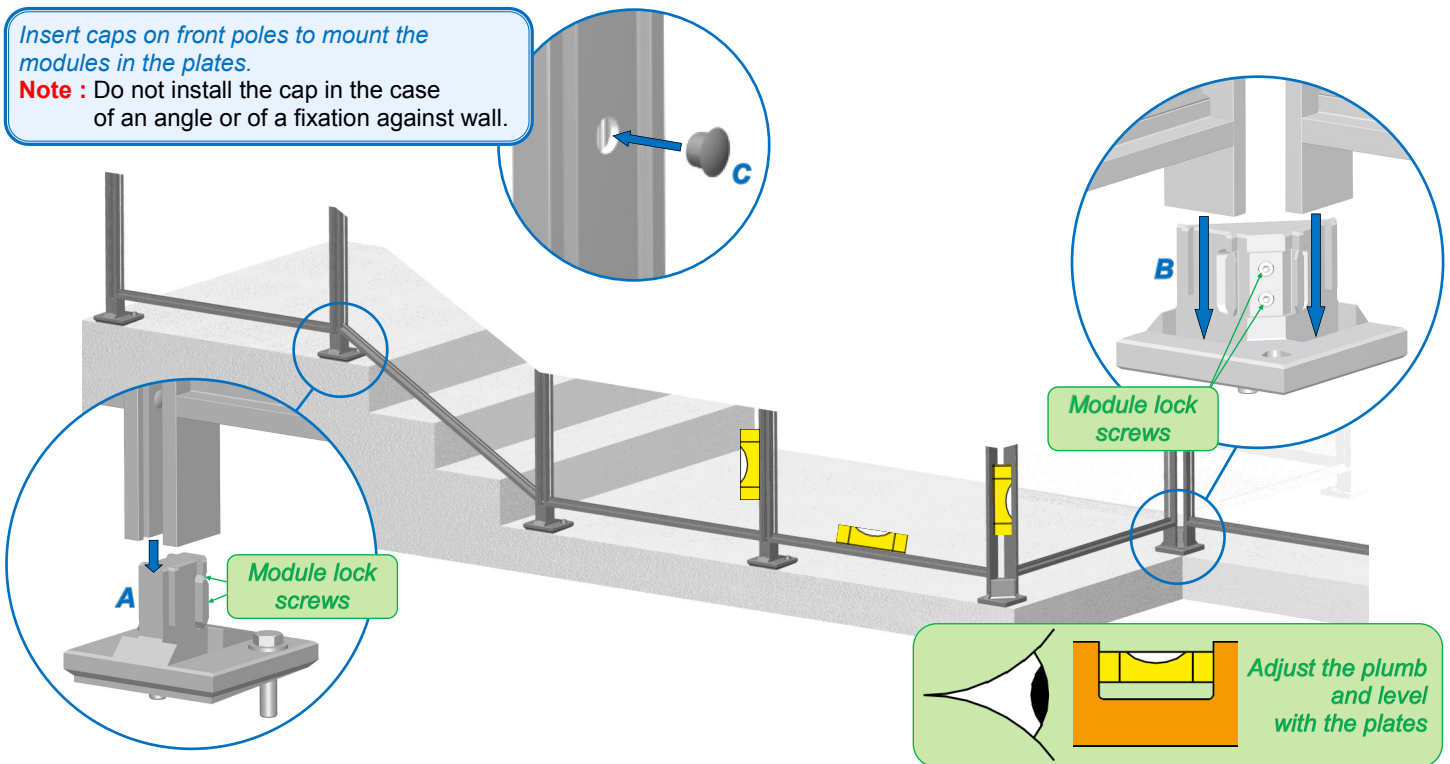
**Important :**

- To position the plates to the rating and the numbering of the modules, please refer to the plan provided with the order acknowledgement or in the ancillary package.
- To fix the plates, adapt fasteners (not provided) according to the support : See regulation.

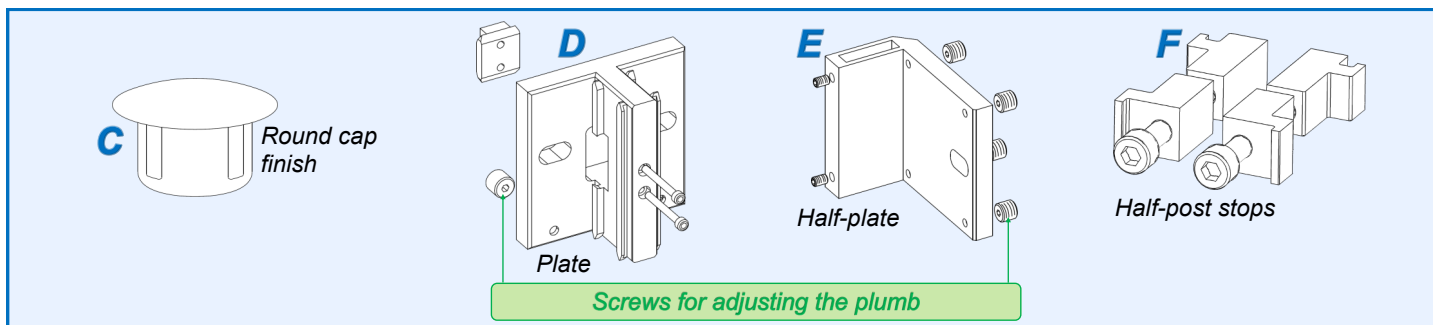
**Principle of installation :**  
 For your safety, mount the modules, one by one, in the plates fixed on the slab.

**Particular case (splints) :** See chapter "Under handrail infill".

**Particular case (angle spacer) :** See chapter "Return of flights".



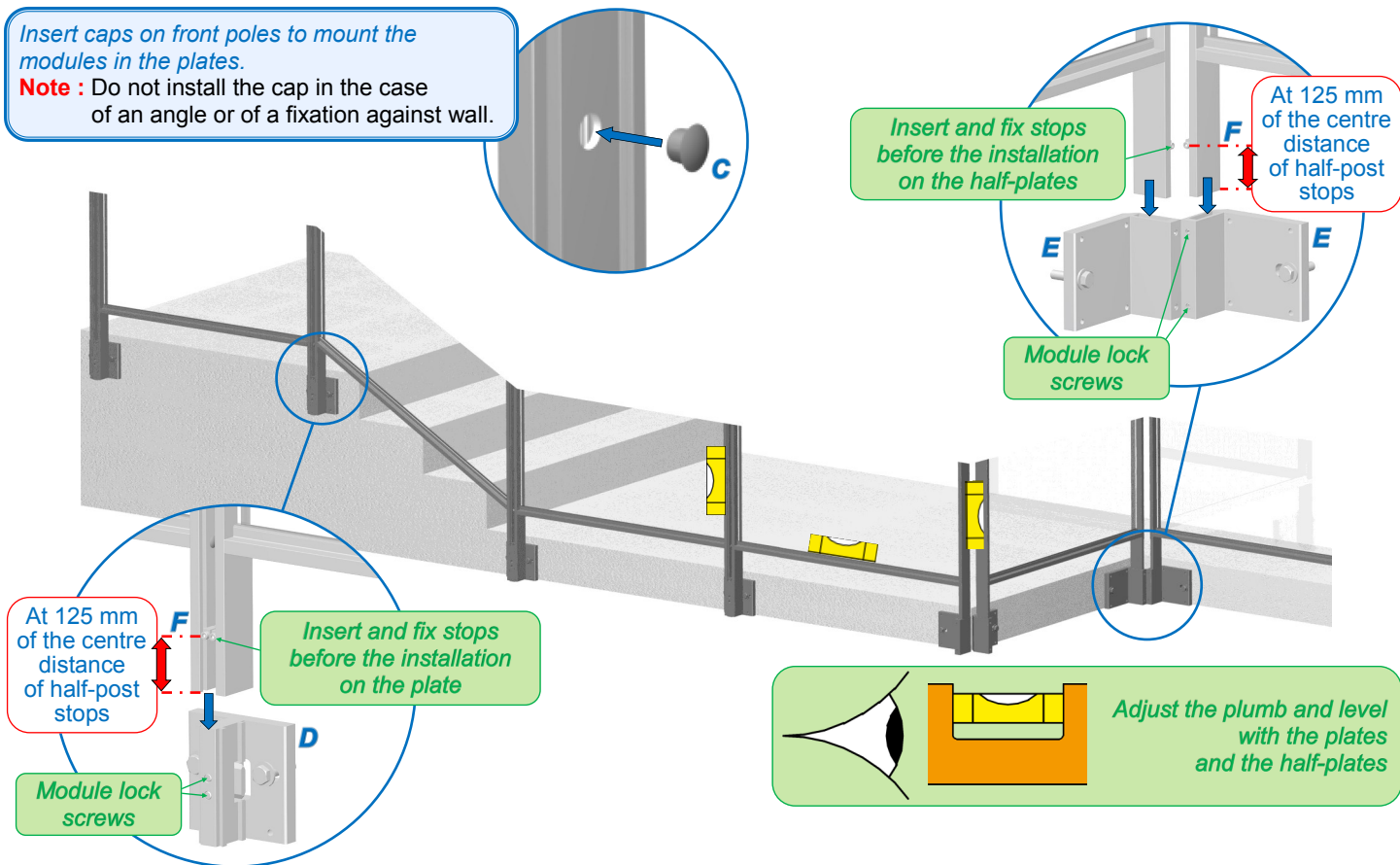
# Installation front of slab



**Important :**

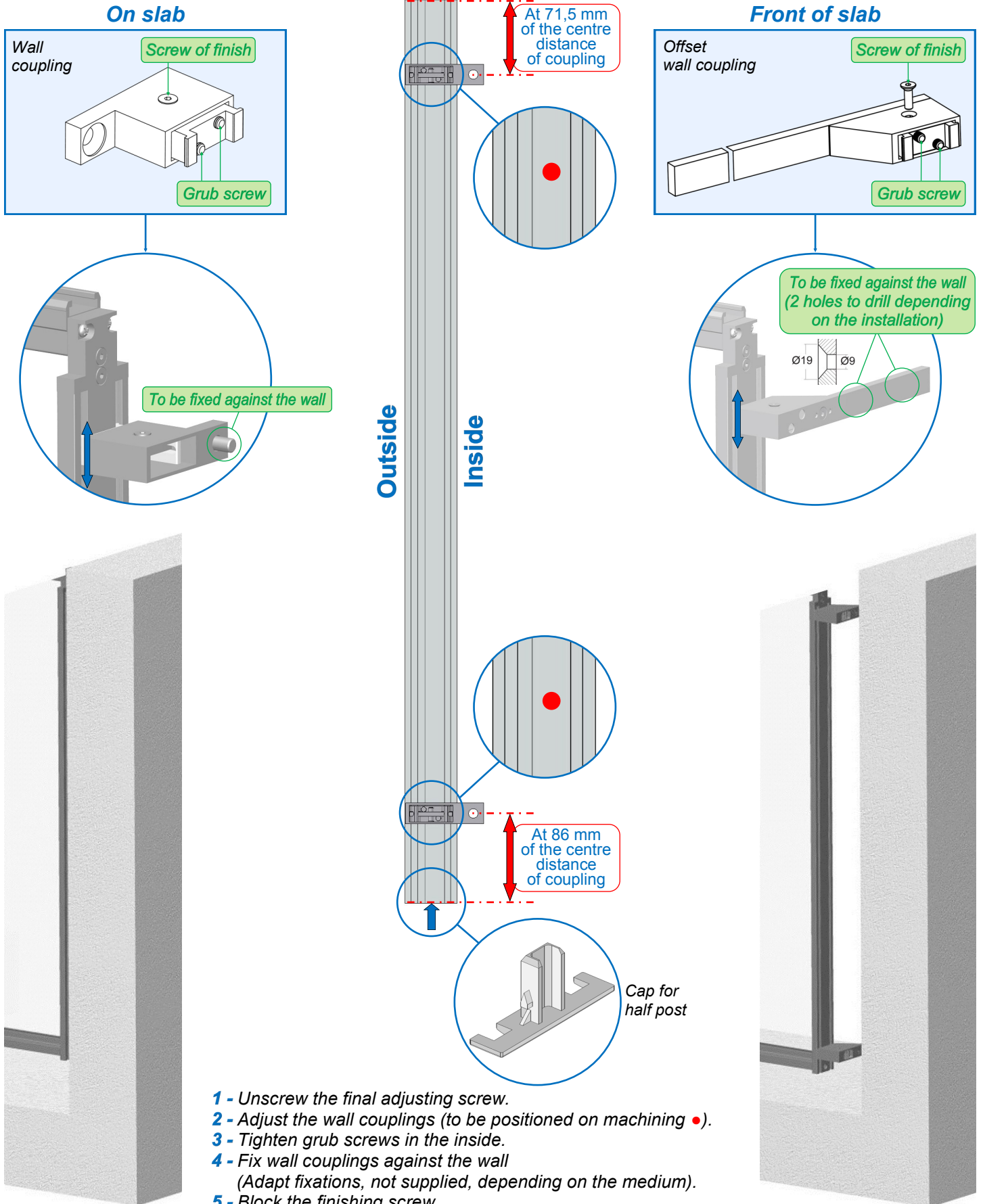
- To position the plates to the rating and the numbering of the modules, please refer to the plan provided with the order acknowledgement or in the ancillary package.
- To fix the plates, adapt fasteners (not provided) according to the support : See regulation.

**Principle of installation :**  
 For your safety, mount the modules, one by one, in the plates fixed in front of slab.  
**Particular case (splints) :** See chapter "Under handrail infill".



# Mounting of wall fitting

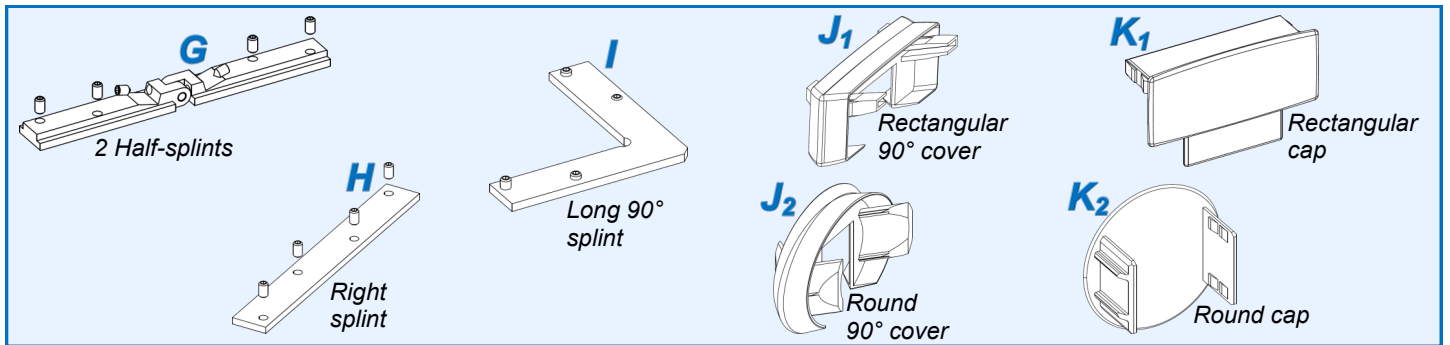
## Measure to follow




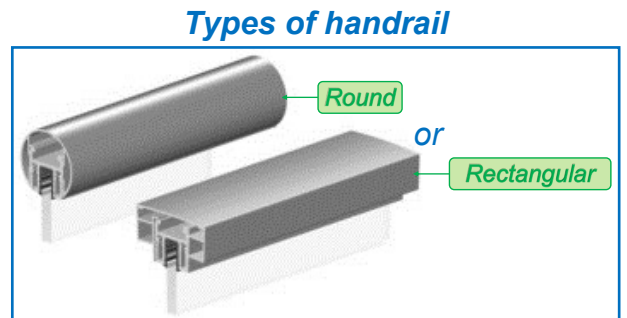
- 1 - Unscrew the final adjusting screw.
- 2 - Adjust the wall couplings (to be positioned on machining ●).
- 3 - Tighten grub screws in the inside.
- 4 - Fix wall couplings against the wall  
(Adapt fixations, not supplied, depending on the medium).
- 5 - Block the finishing screw.

# Type of coupling

## Under handrail infill



**Particular case (splints) :**  
 Insert the splints in each module, before mounting the modules in the plates.

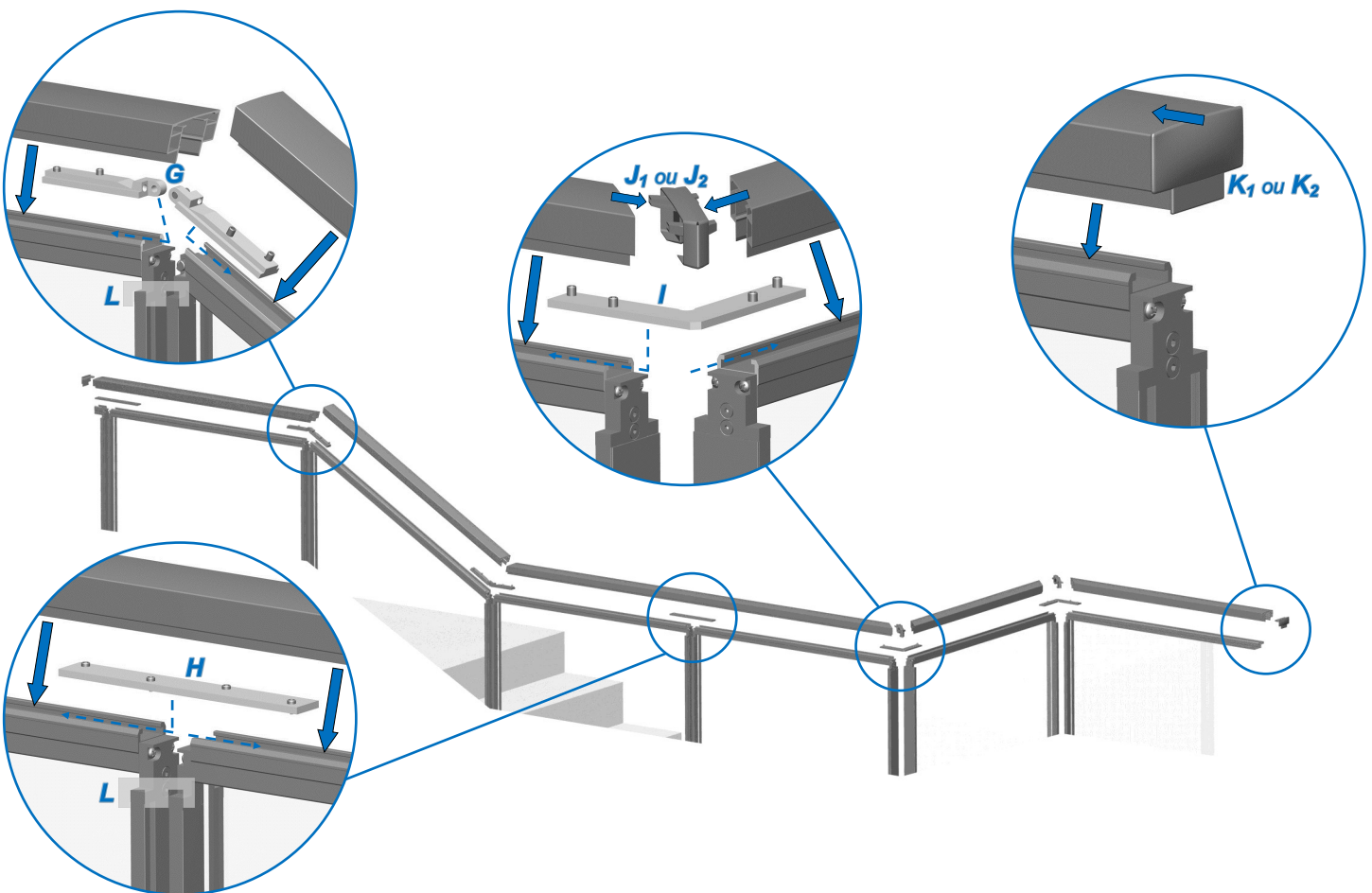


**L**

1- Position the installation aid tool between each module, assemble/center the splints then tighten the grub screws

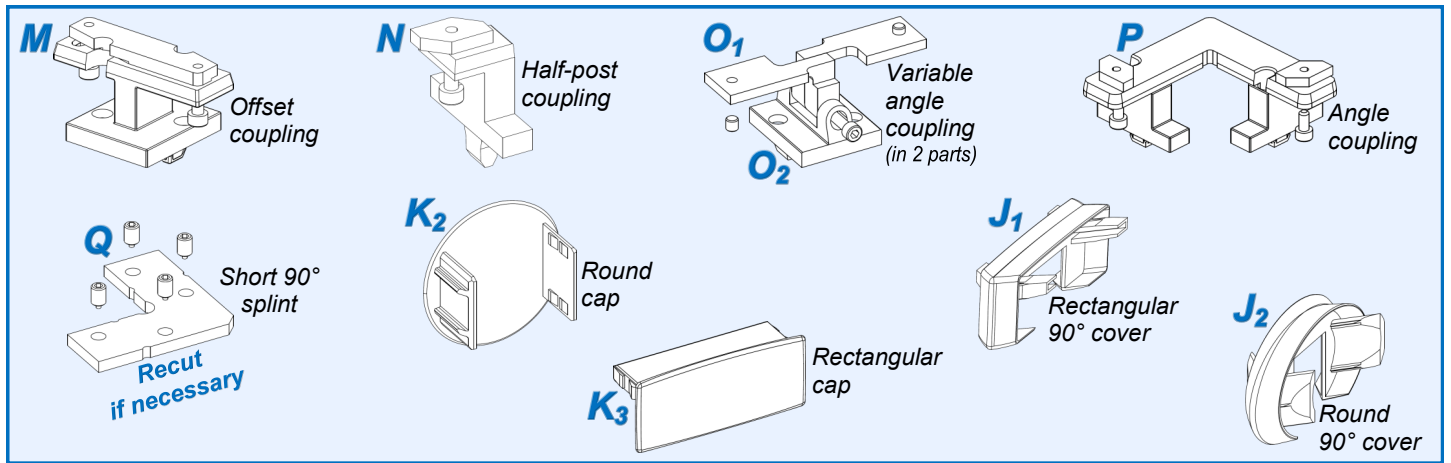
2- Adjust/Recut the handrails

3- Clip the handrails and caps

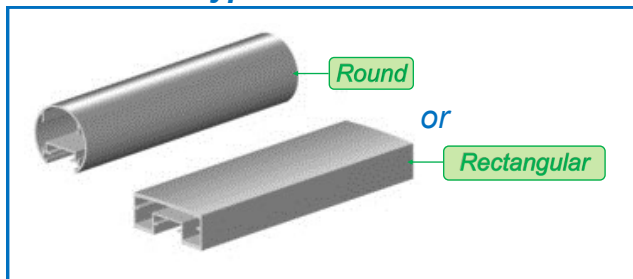


# Type of coupling

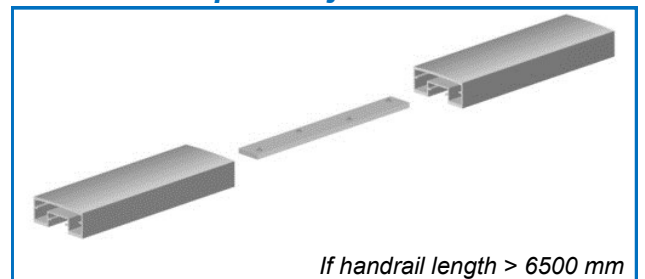
## Infill under smooth intermediate



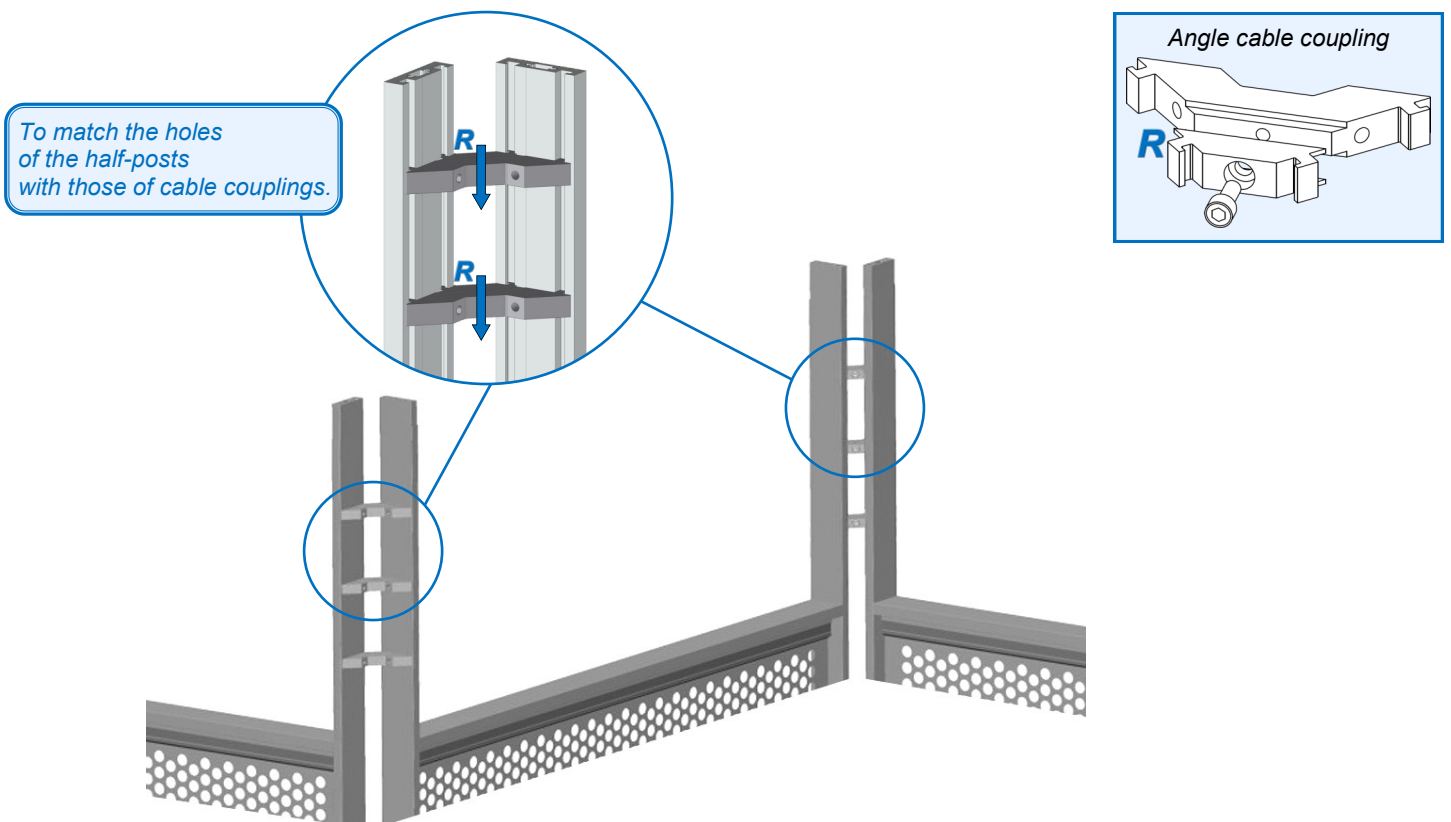
### Types of handrail



### Splint of junction

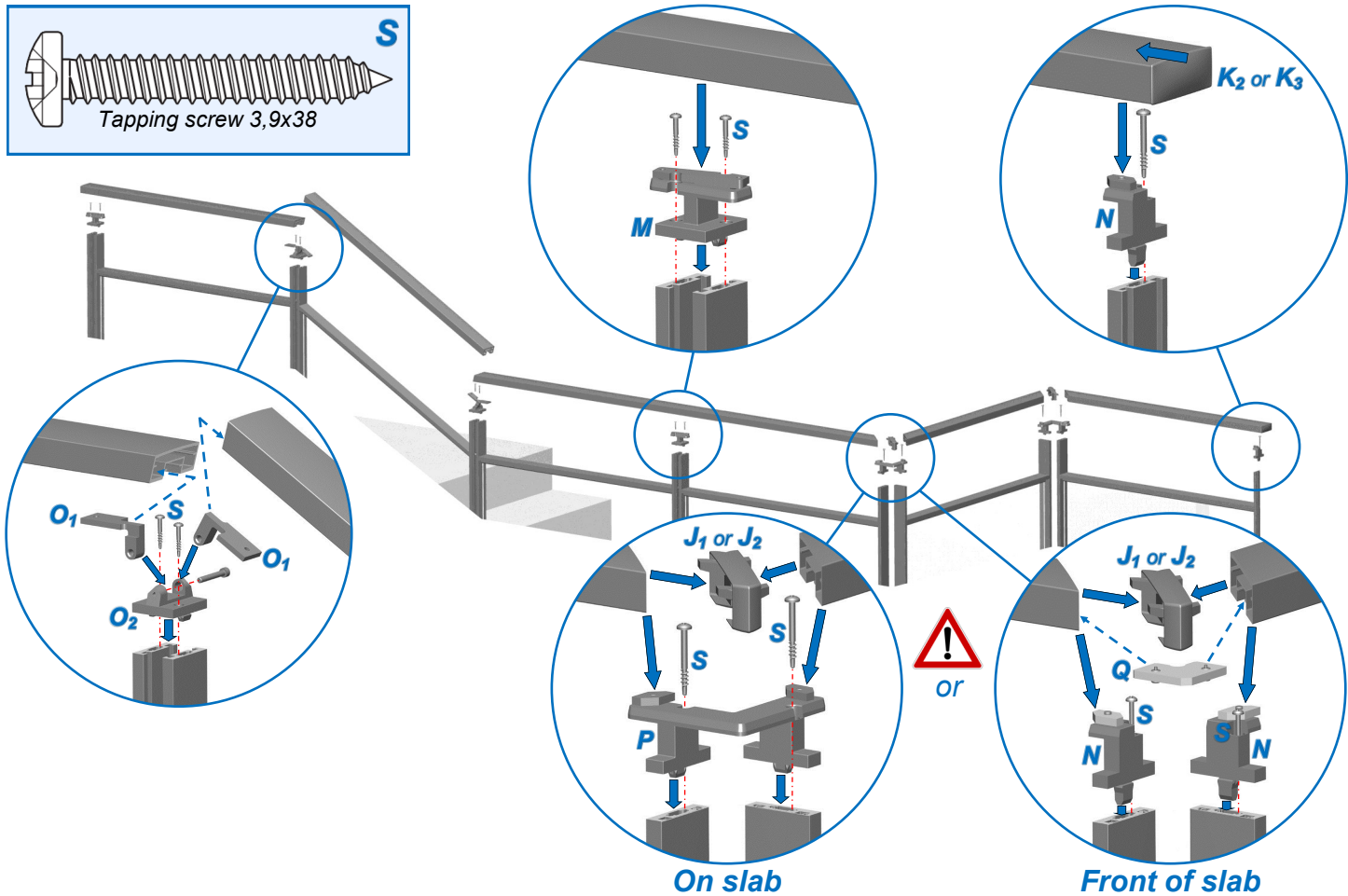


**If cable installation :** Insert and fix cable couplings in half-posts before mounting angle coupling.

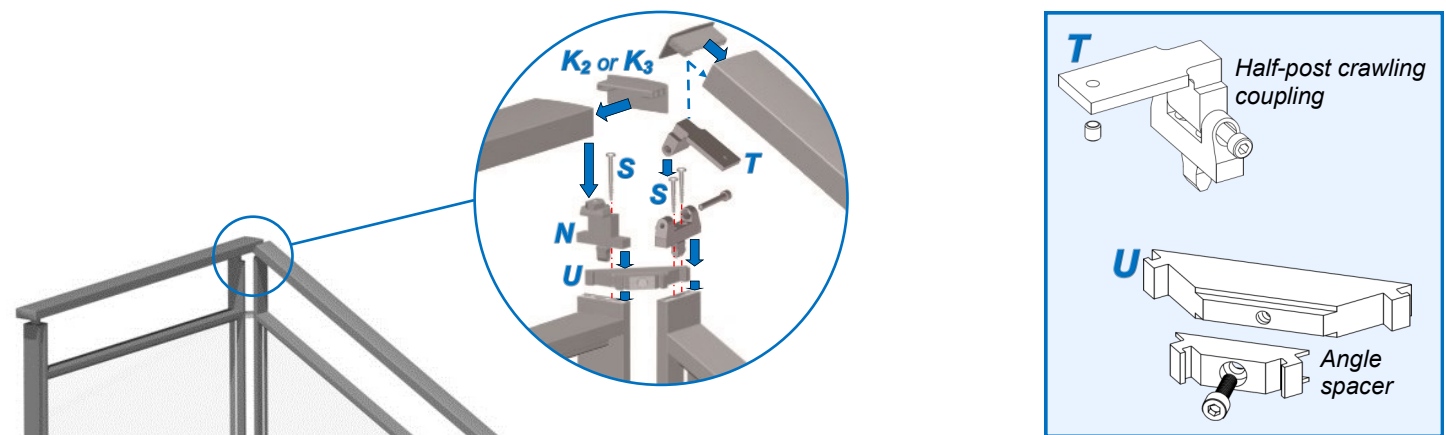




- 1- Screw coupling on the posts
- 2- Adjust/Recut the handrails
- 3- Clamping the handrails. Slide the coupling arms  $O_1$  in the handrails then assemble them on the coupling  $O_2$  by screwing them. Tighten all screws.
- 4- Clipper caps



**Particular case : 90° angle return.**

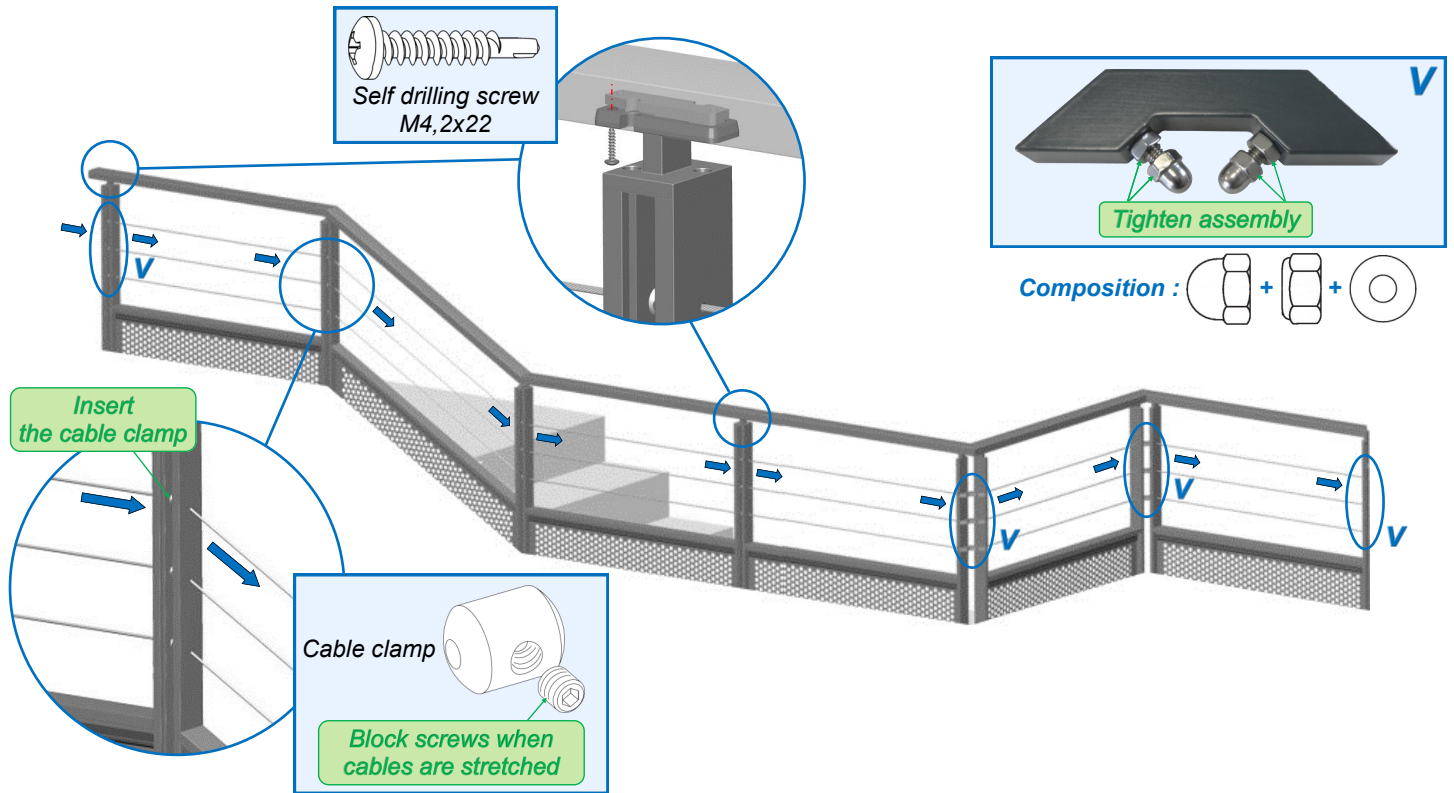


**Particular case (Under handrail infill) :**  
 Insert angle spacer in half-posts of modules from the bottom, before mounting the modules in the plates.

**If installation of cables :**

1- *Condemn the handrails*

2- *Install/Stretch the cables with moderation*



## Finish

Clipper clips on the angle posts.  
If necessary, adjust/recut depending on the case.

