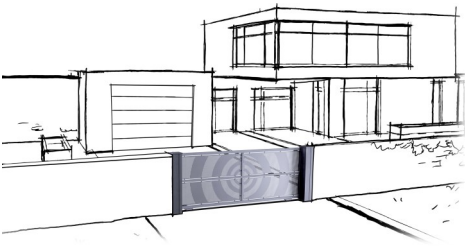
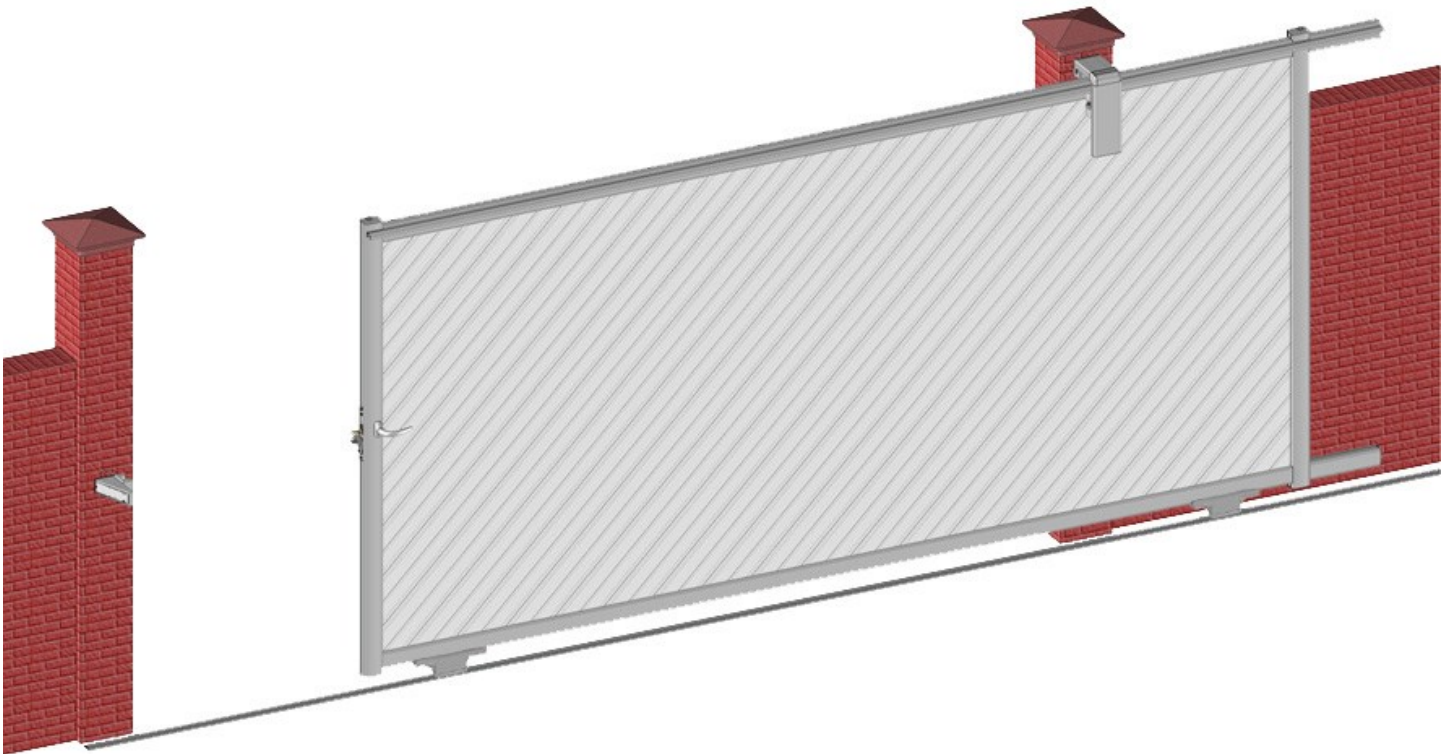


Manual : N° 7375 **INSTALLATION**

Aluminum sliding gate *manual or motorized*



*Existing posts
or on aluminum posts*



(Document reserved for installers)

Contents

Necessary equipment.....	p.2
Installation instructions	p.3
Wiring diagram (if motorized gate)	p.4
Installation on existing posts	p.4
Installation on aluminum posts	p.10

Necessary equipment

- Spirit or laser level
- Plumb line
- Tape measure
- Pencil
- Hammer drill
- Steel/Concrete drill bits
- Adapted dowels and screws
- Hammer/Chisel
- Wooden chocks
- Screwdriver with torque limiter
- Bits of screwdriver
- Screwdriver
- Allen/Flat wrenches
- Grinder
- Hacksaw
- Riveting pliers

Installation instructions




CAUTION !



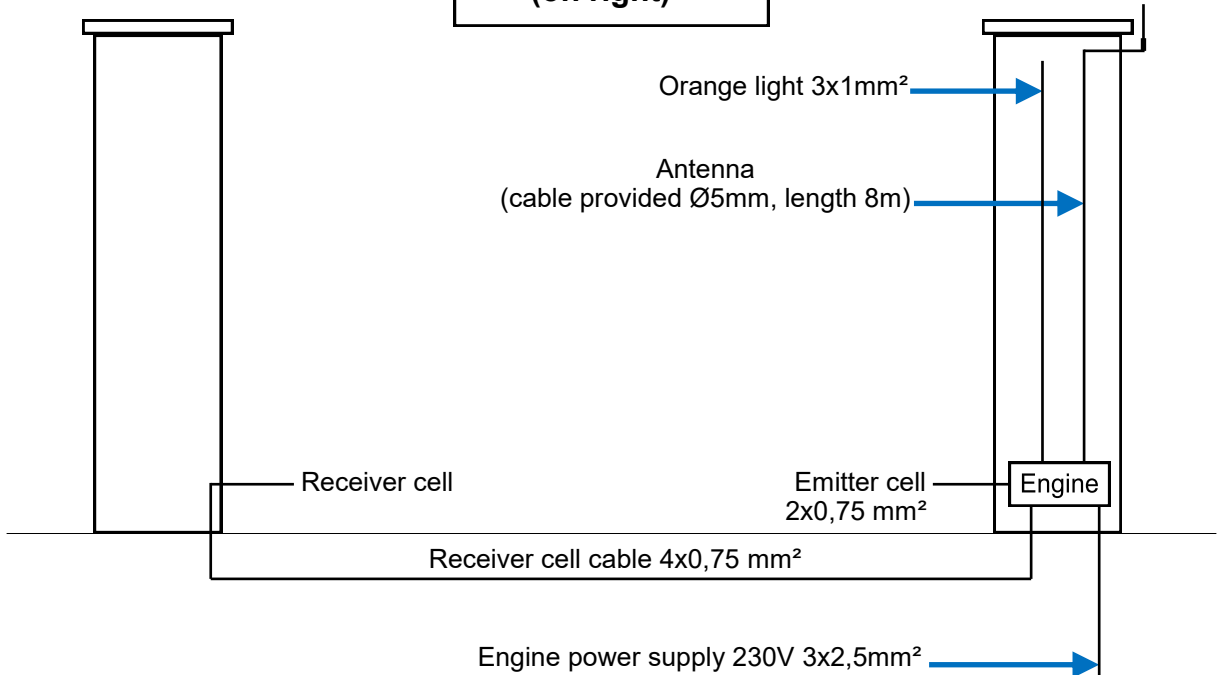
To ensure that this product is assembled, used and maintained in complete safety, it is important to follow the instructions provided in this document. For everyone's safety, please observe the precautionary measures below.

- * Before beginning the assembly, read this manual carefully.
- * This closure must be installed by a professional technician.
- * All the parts delivered are specifically sized for this product. Adding and/or using other parts may be detrimental to safety and may affect the product's warranty.
- * Any modification or improvement of this closure must be compliant with the standard EN 13241 + A2. In this case, a "modification/transformation" file must be created by the installer as per the standard EN 12635 annex C.
- * Use the appropriate tools to install these products. Ensure that the work is carried out on a stable floor.
- * Ensure that the assembly area is clear, clean and clearly marked out.
- * Ensure that no other people are present at the assembly site apart from the installers. Non-authorized persons (children for example !) who are present at the site risk injury during assembly.
- * All the components of this closure must be installed in compliance with the installation instructions provided in this manual.
- * All the requirements of the standards EN 13241 + A2 must be met and verified if necessary.

Wiring diagram (if motorized gate)

 Use the manual of the adapted motorisation

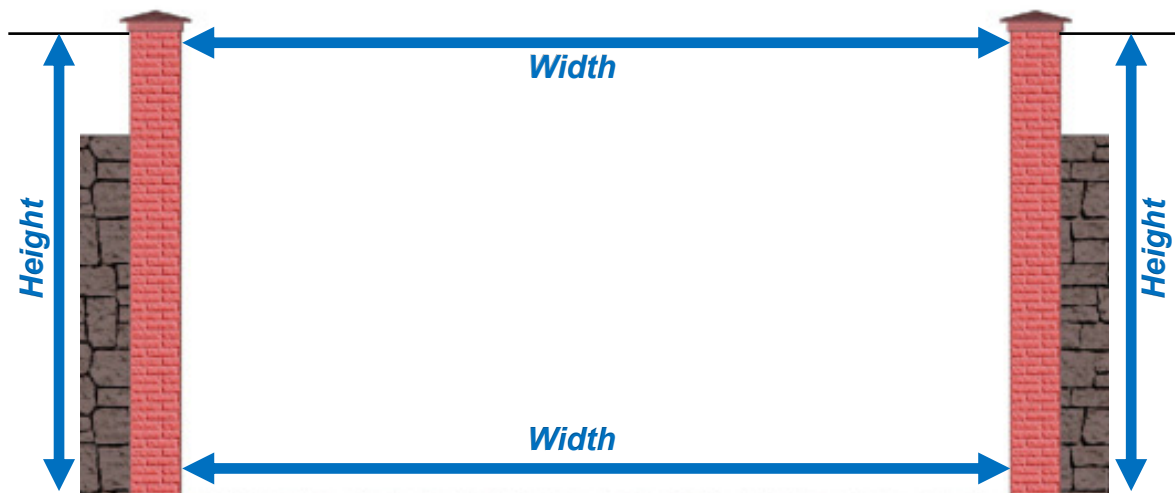
Example motor (on right) *



* If left motor, reverse layout.

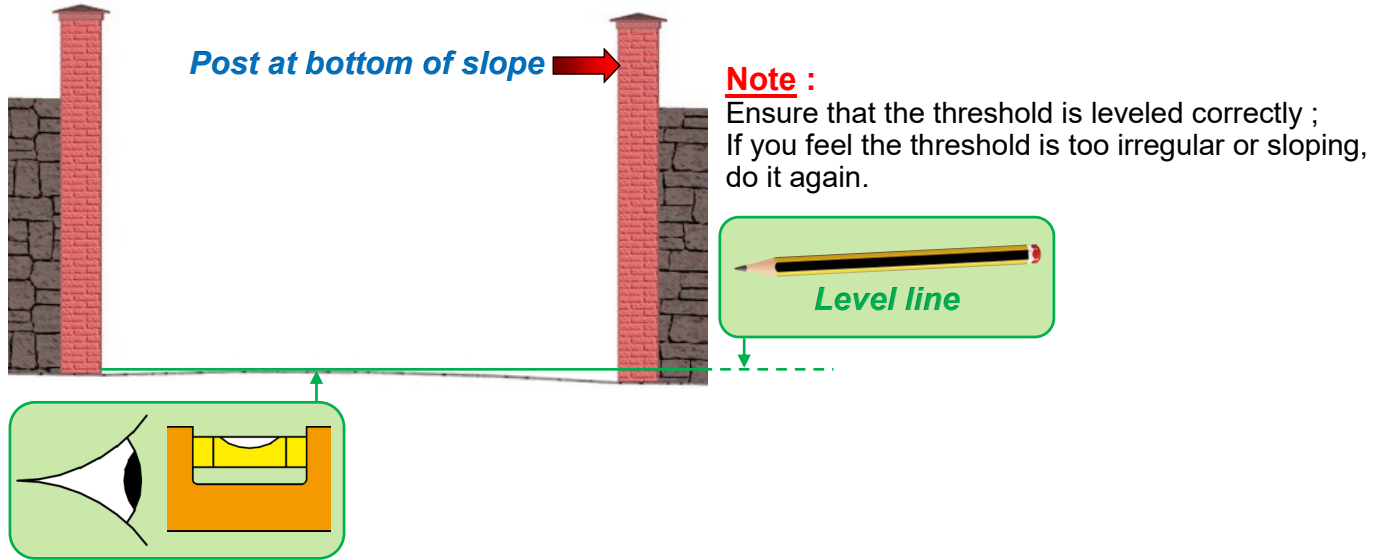
Installation on existing posts

1- Check the worksite dimensions :

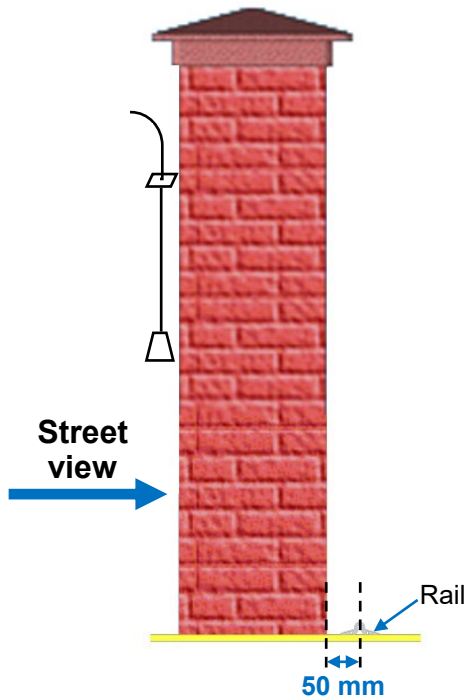


Check width between posts and height of posts under hat

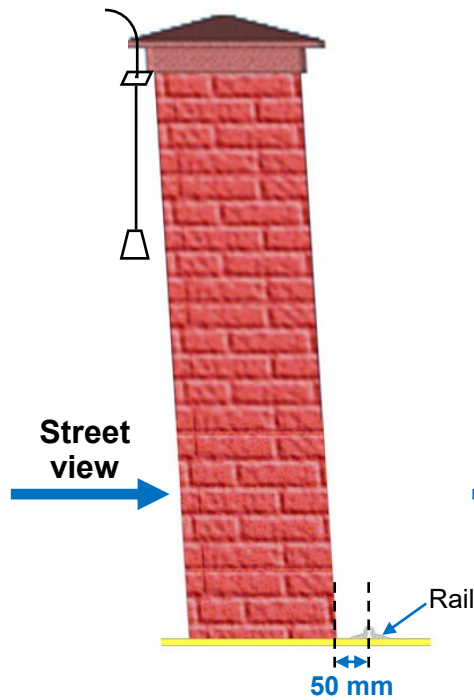
2- Check level 0, plumb and posts alignment :



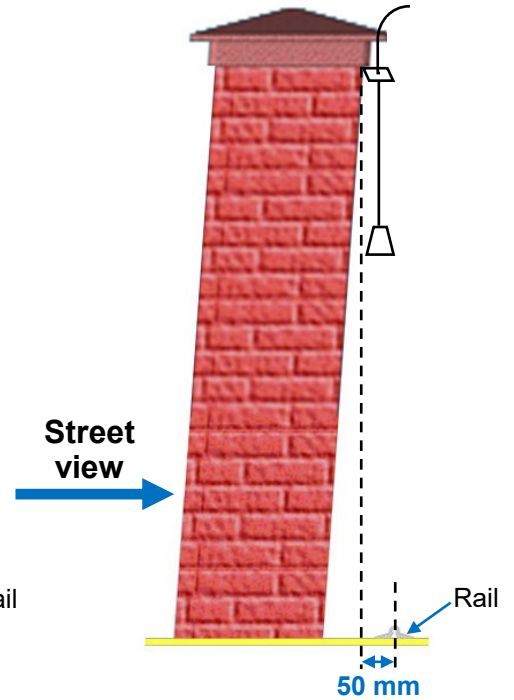
Straight post



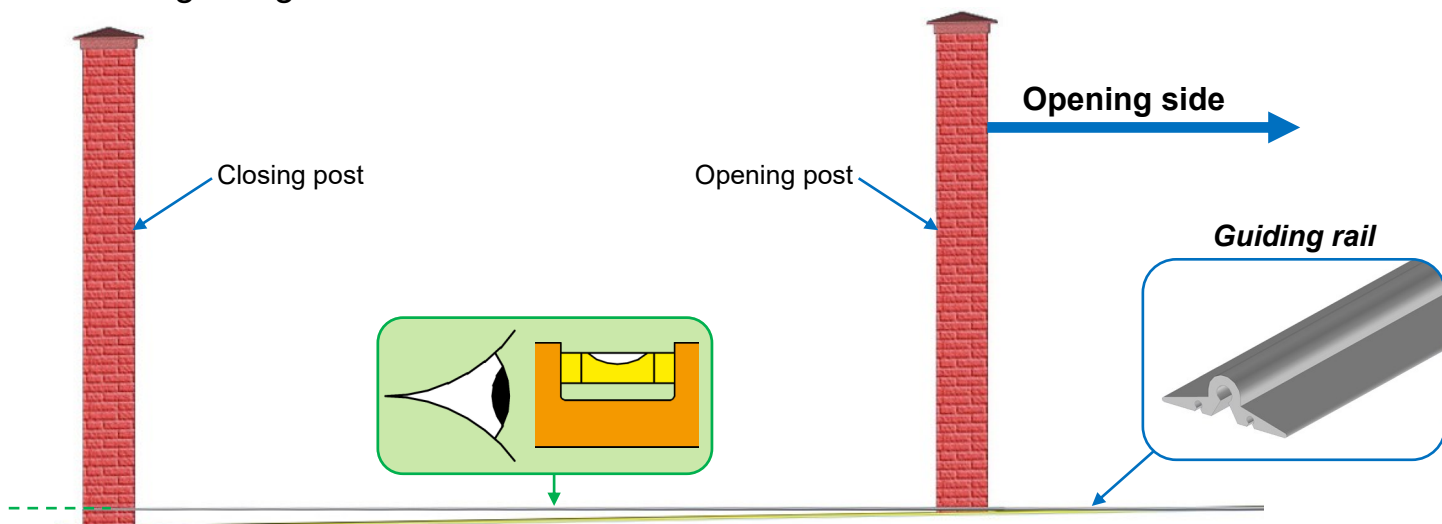
Outward leaning post



Inward leaning post



3- Fix the guiding rail :



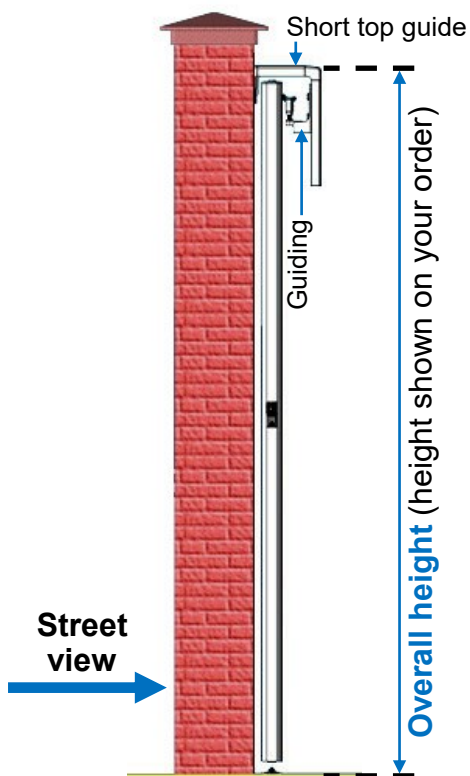
Note :

Fix the guiding rail starting from the closing post. Use 8 mm dowels and suitable screws (not supplied).

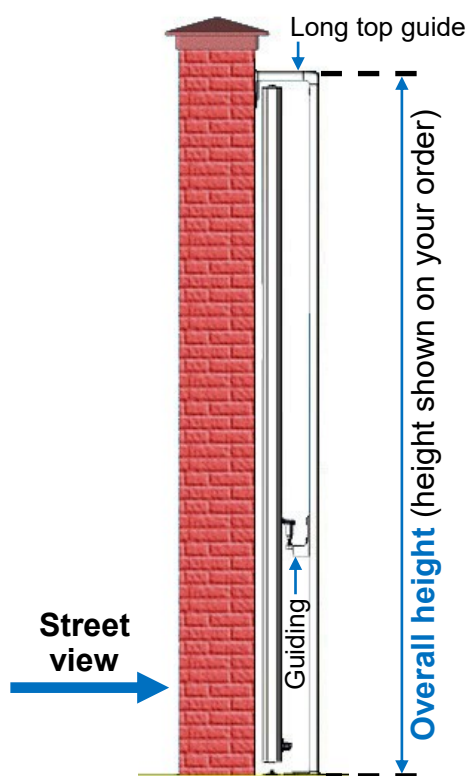
4- Fix the top guide on opening post :

Use the M10 hitting dowels or chemical seal + Suitable screws (not supplied)

Straight frame gate



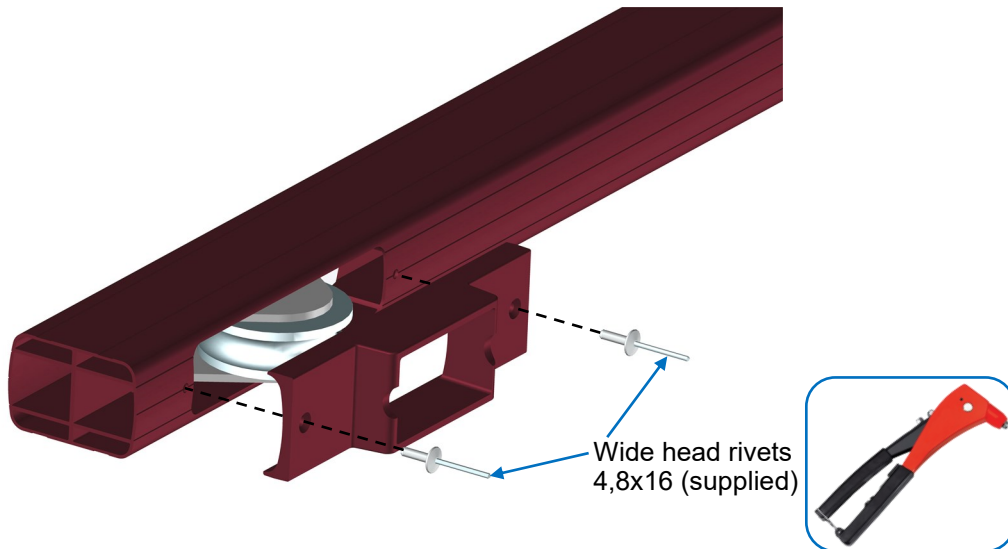
Shaped frame gate



Note :

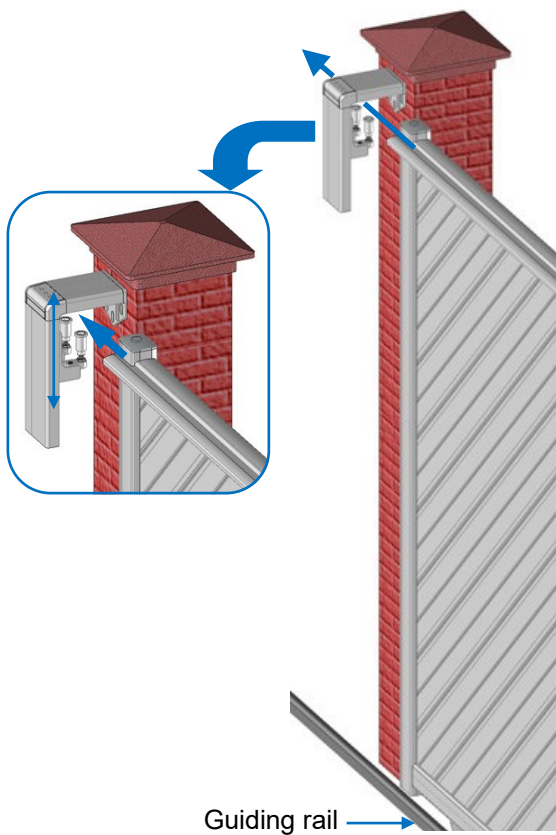
If the post is leaning outward at a significant angle, use shims for the top guide accordingly (The top guide can absorb a false plumb up to 20 mm).

5- Fix the caster covers :

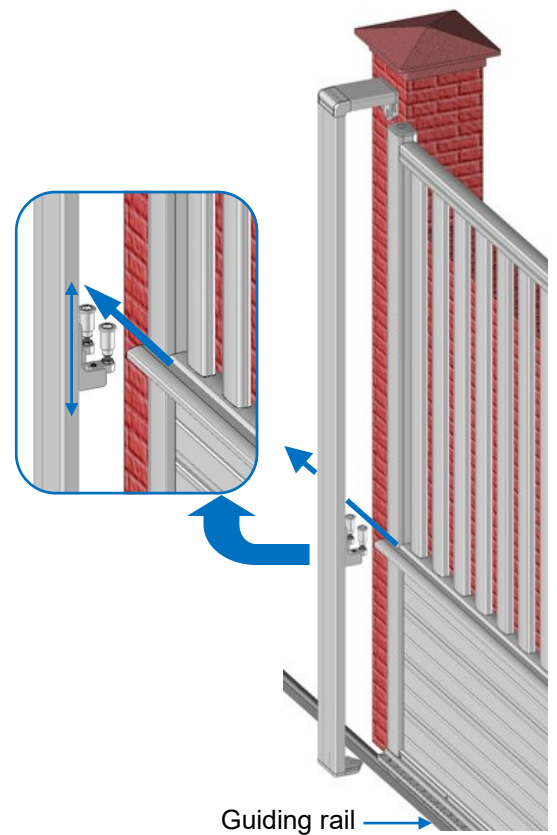


6- Install the gate :

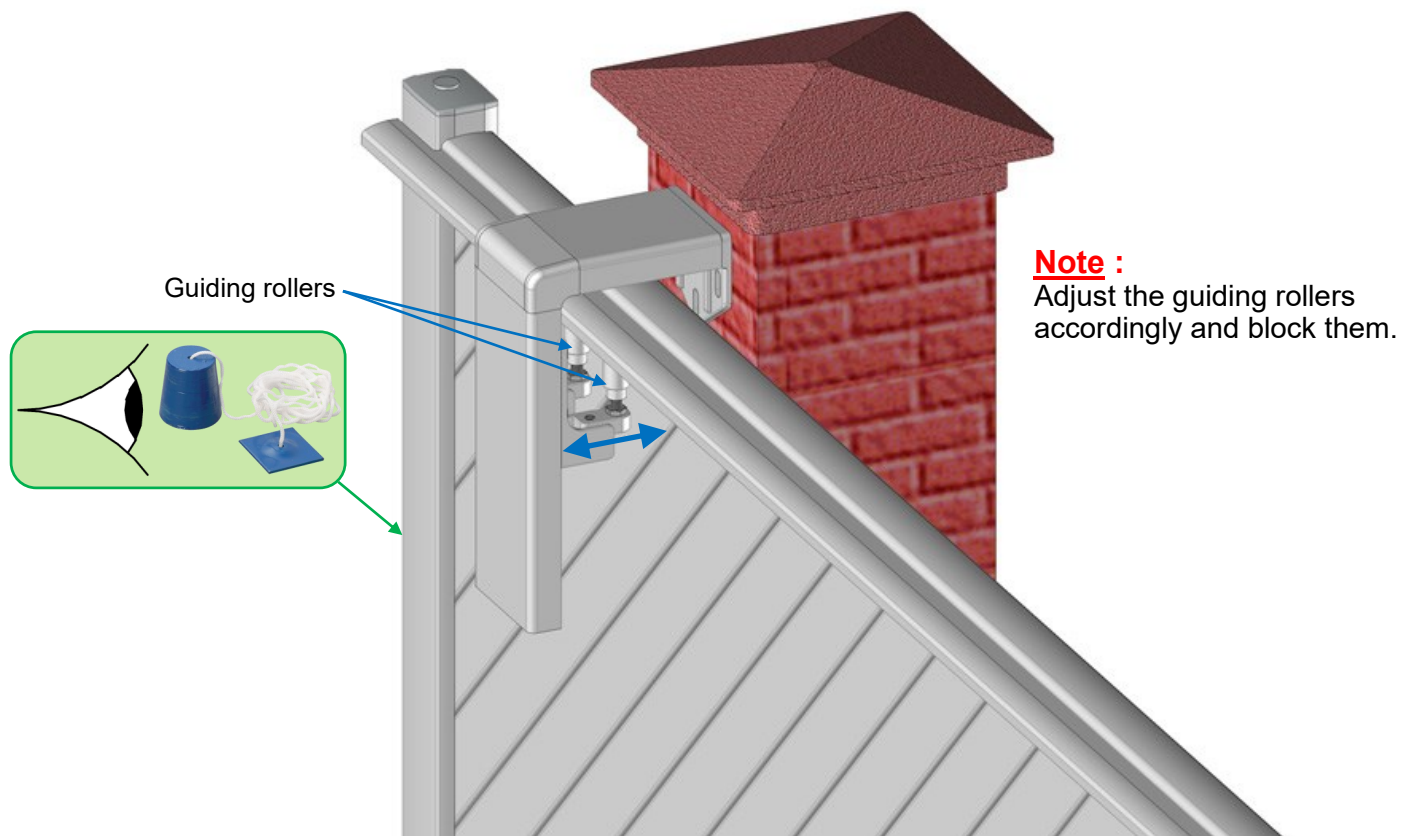
Straight frame gate



Shaped frame gate



7- Check the plumb of the gate :



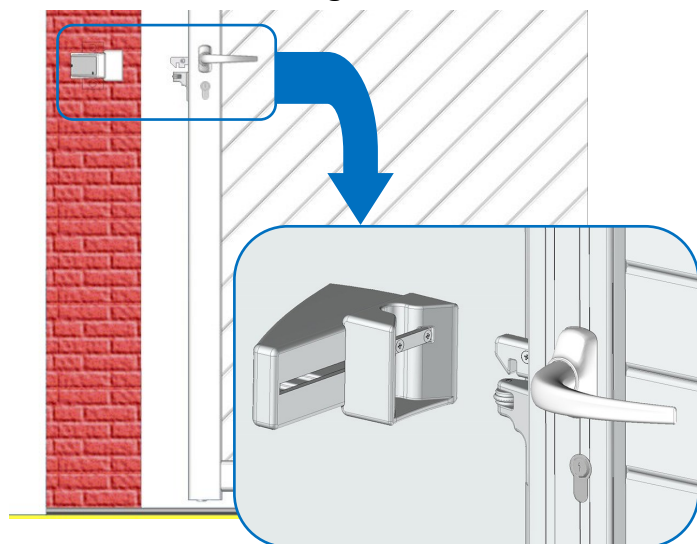
8- Adjust and fix the closing stop :

Use the M8 hitting dowels or chemical seal + Suitable screws (not supplied)



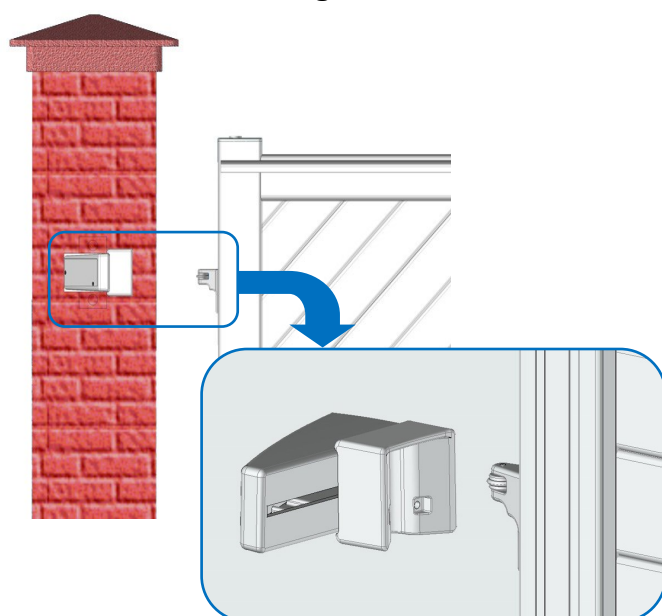
See below drawing for closing stop installation

Manual gate



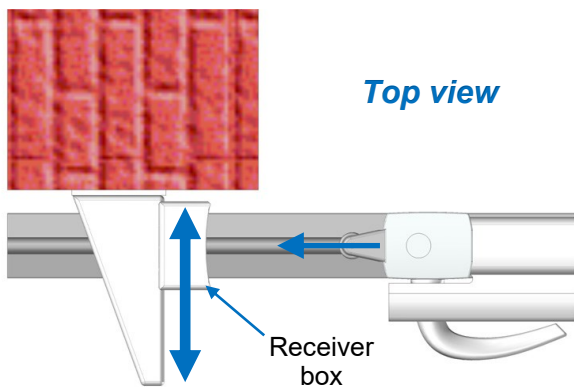
Closing stop
at the level of the lock

Motorized gate

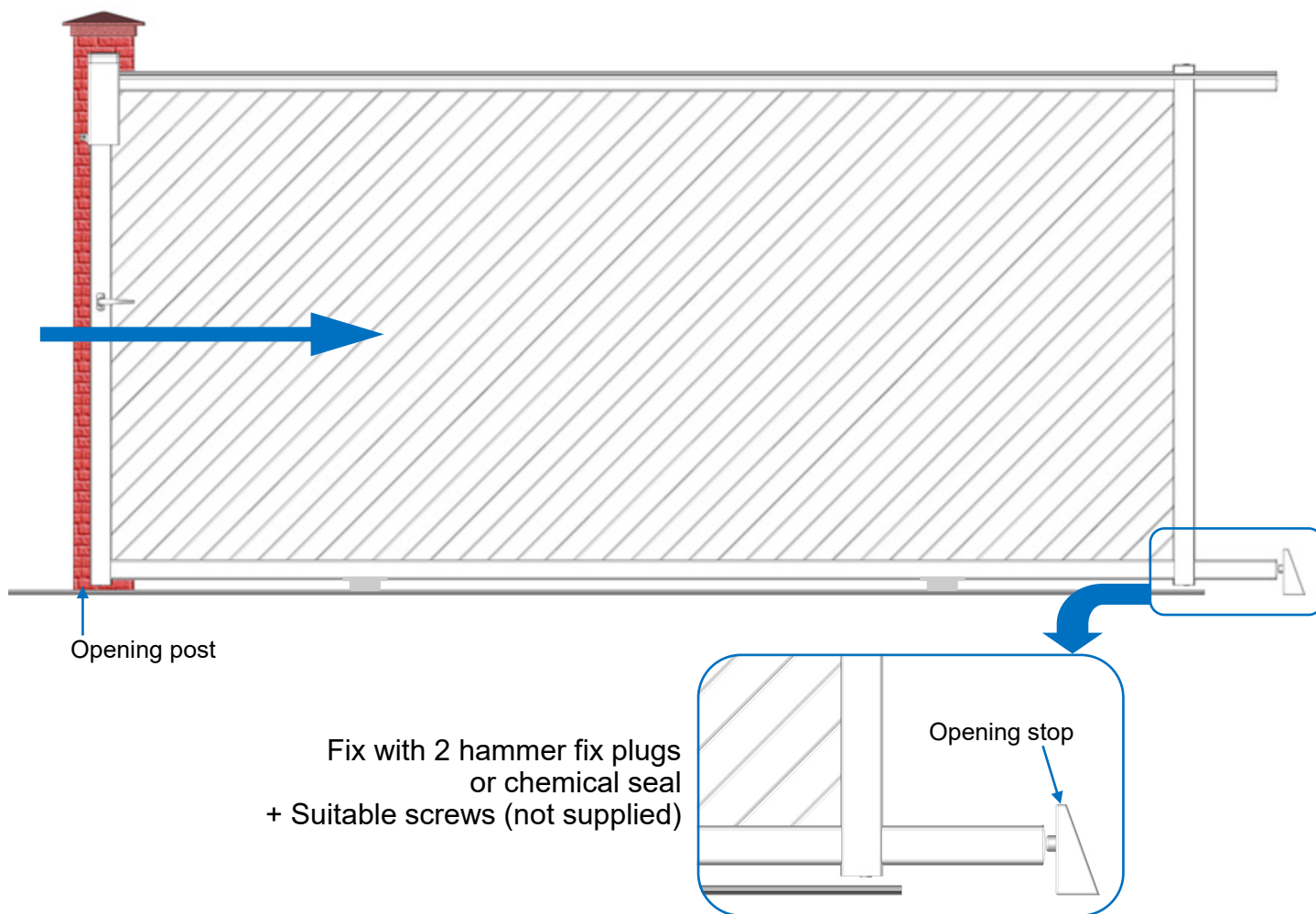


Closing stop
at the level of the centering finger

9- Adjust the receiver box :



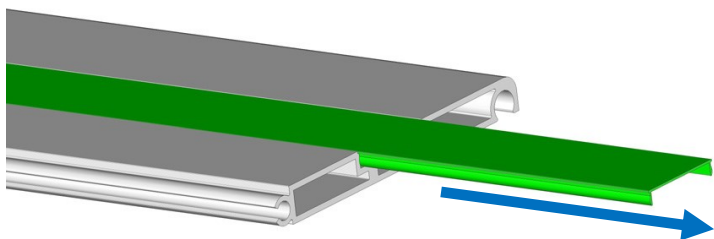
10- Fix the opening stop :



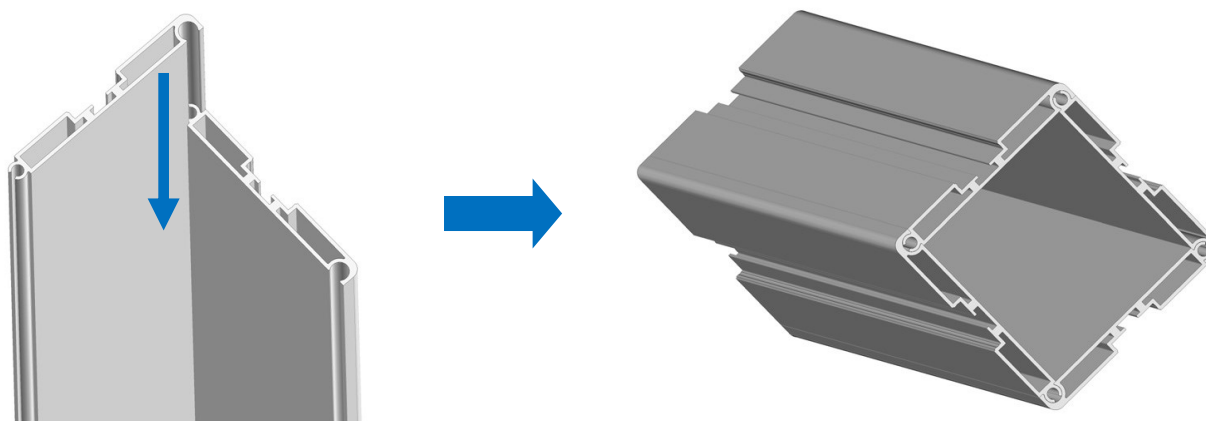
11- In the case of a motorized gate, see the installation manual for the motors used.

Installation on aluminum posts

1- Remove clips from profiles :

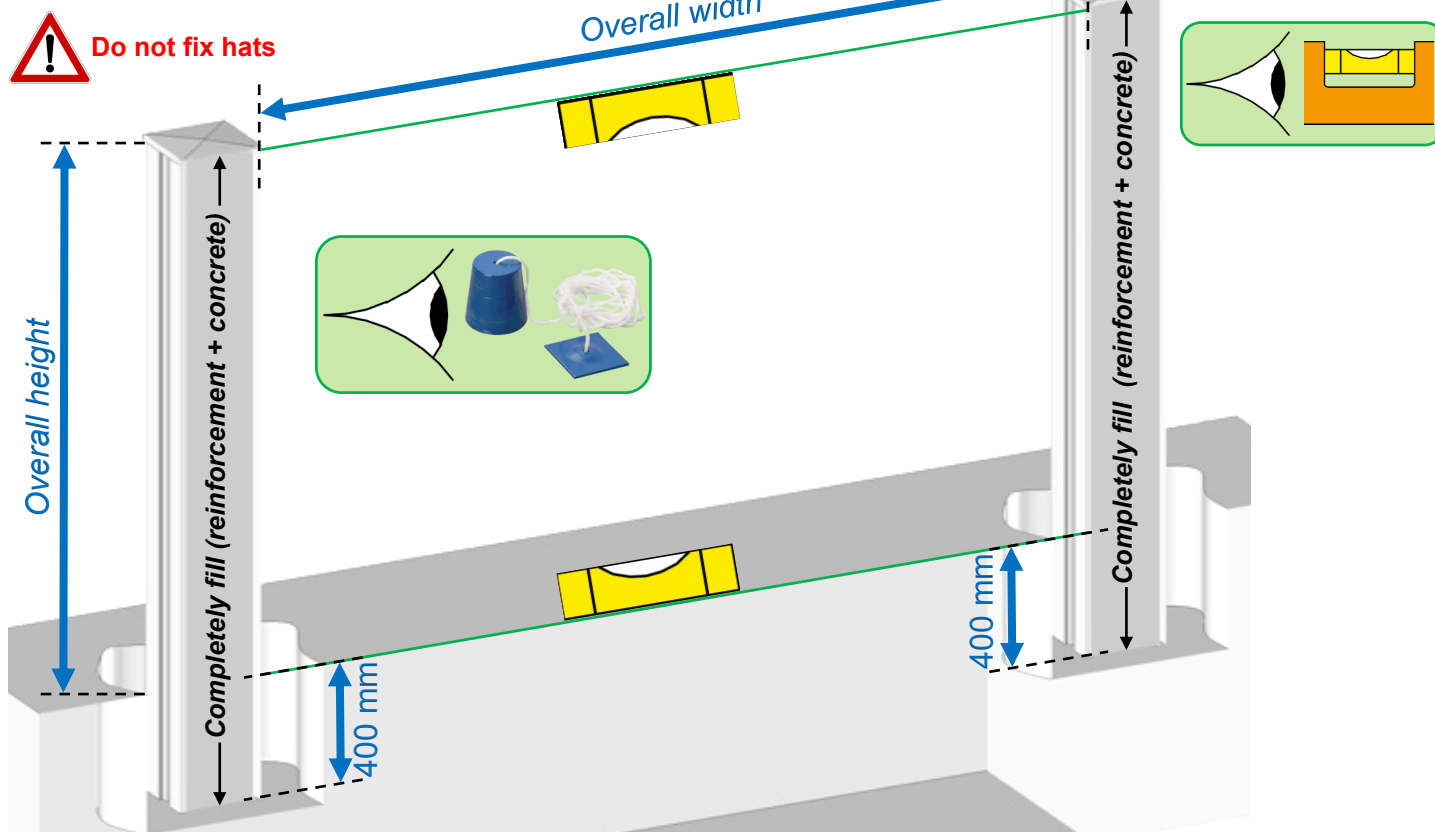


2- Assemble profiles :



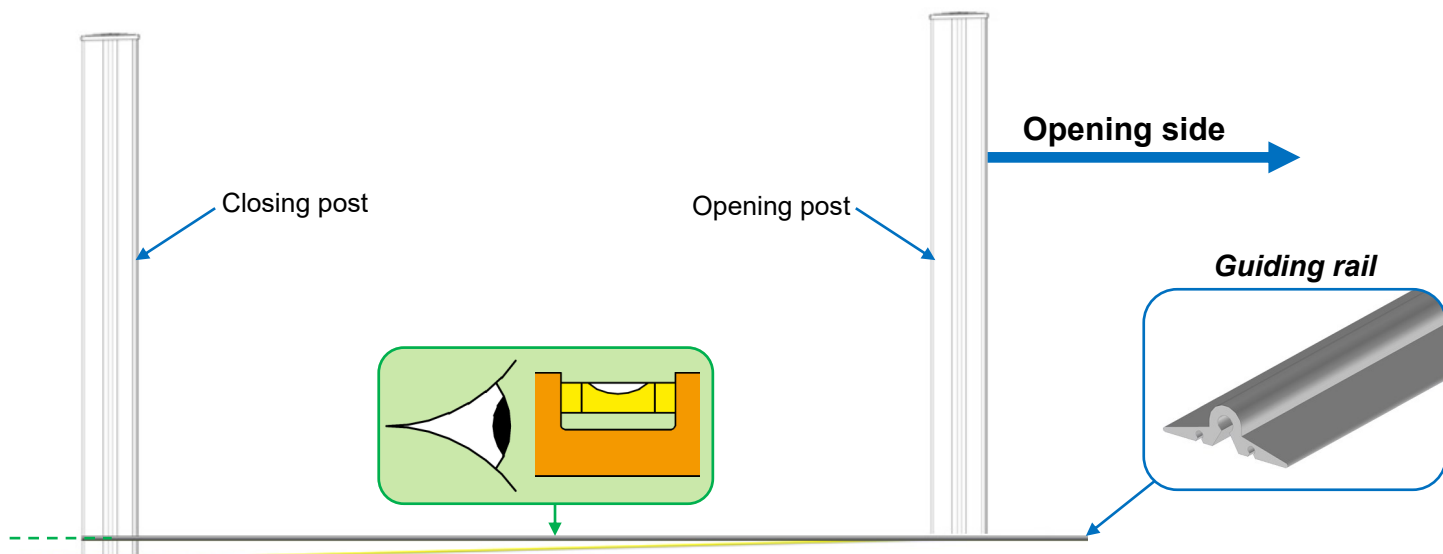
3- Cement the posts (see drawing below) :

Note : Overall width and height correspond to the dimensions provided



IMPORTANT : Before installing the gate, **check that the concrete/posts is well set** (average drying time : 21 days).

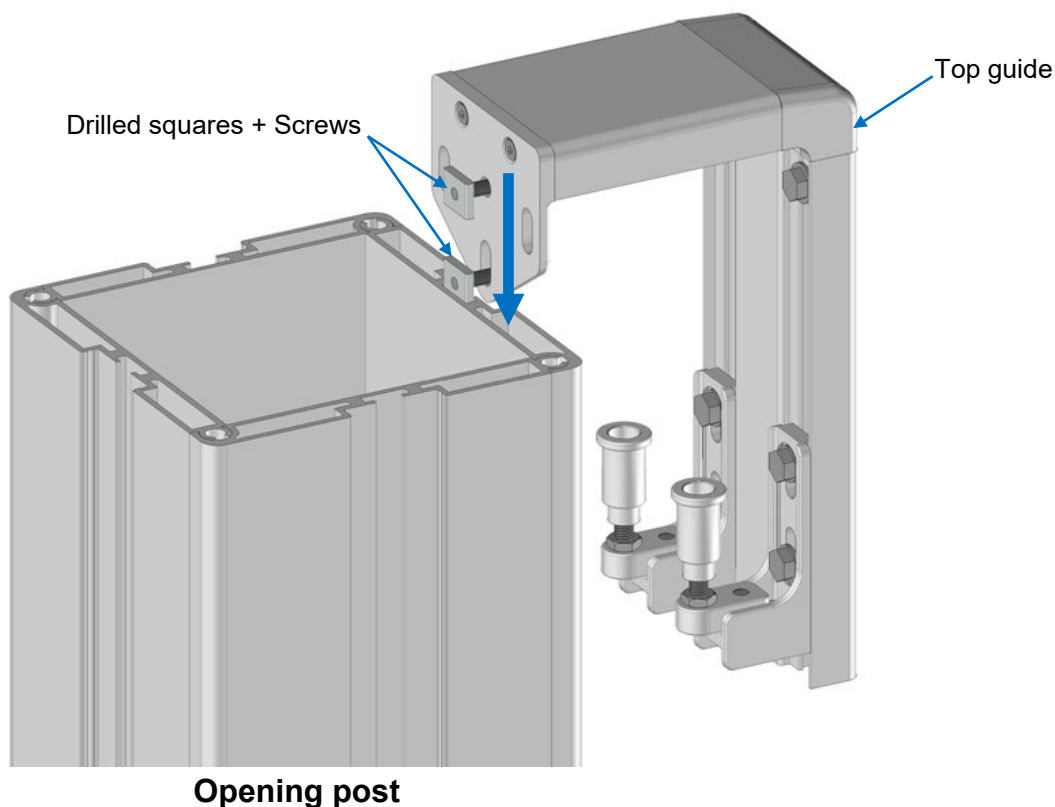
4- Fix the guiding rail :



Note :

Fix the guiding rail starting from the closing post. Use 8 mm dowels and suitable screws (not supplied).

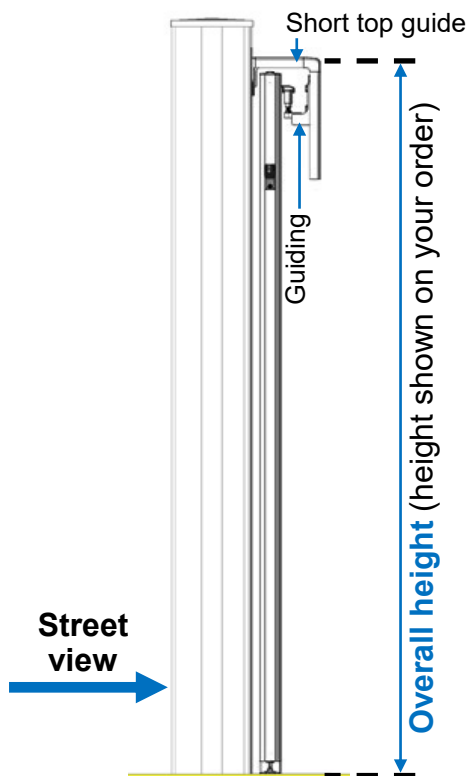
5- Opening post : Assemble the drilled squares with the screws (supplied) on the top guide :



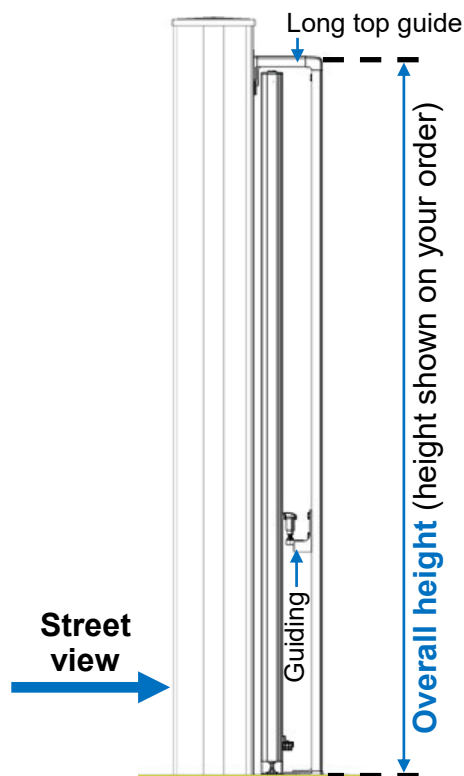
6- Slide the top guide into the T shape vertical groove of the opening post :

Note : After adjustment, tighten the immobilizer screws.

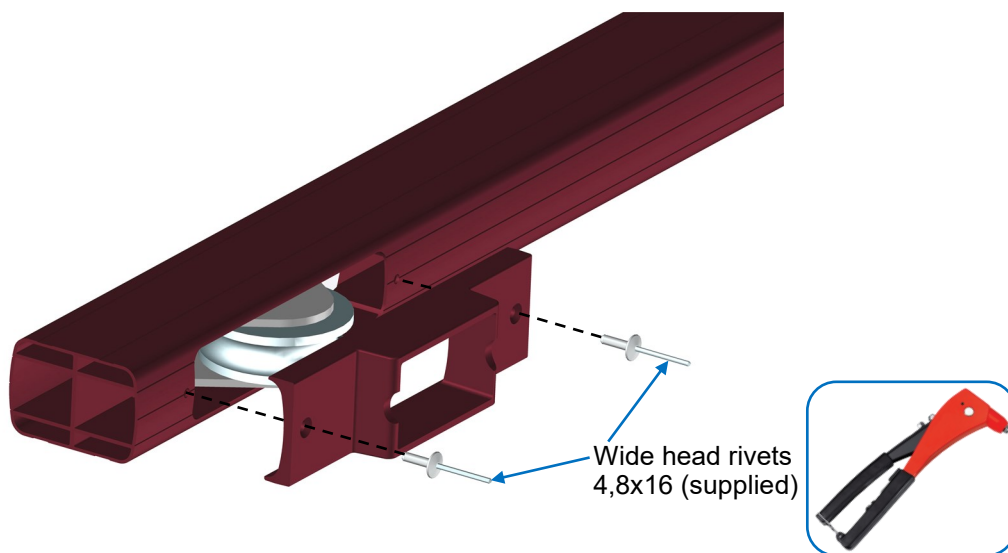
Straight frame gate



Shaped frame gate

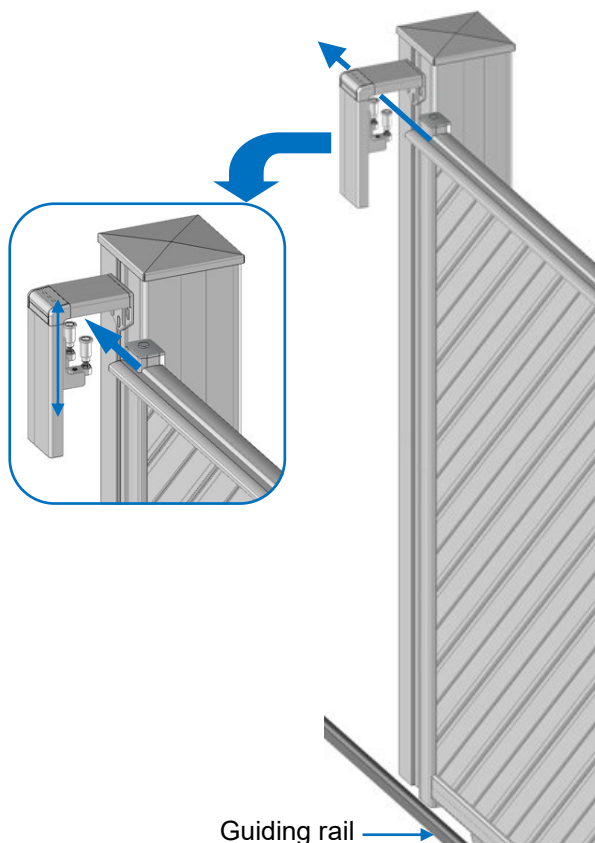


7- Fix the caster covers :

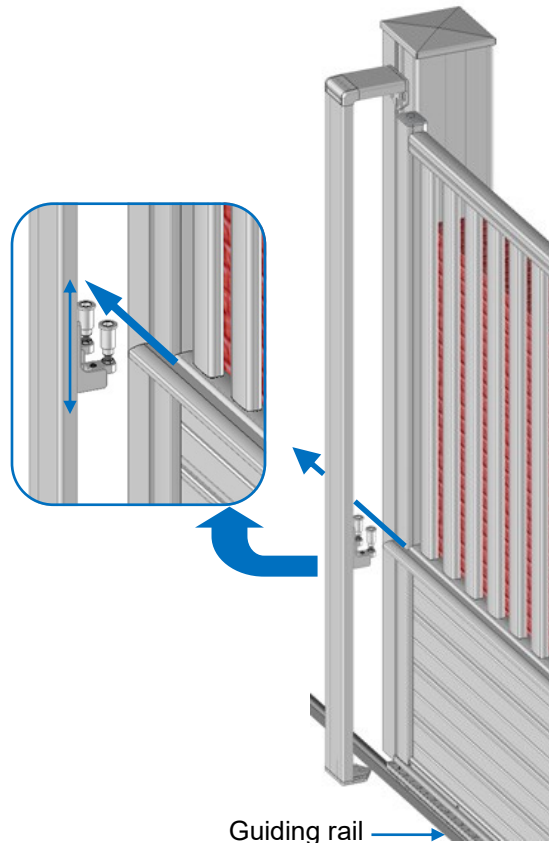


8- Install the gate :

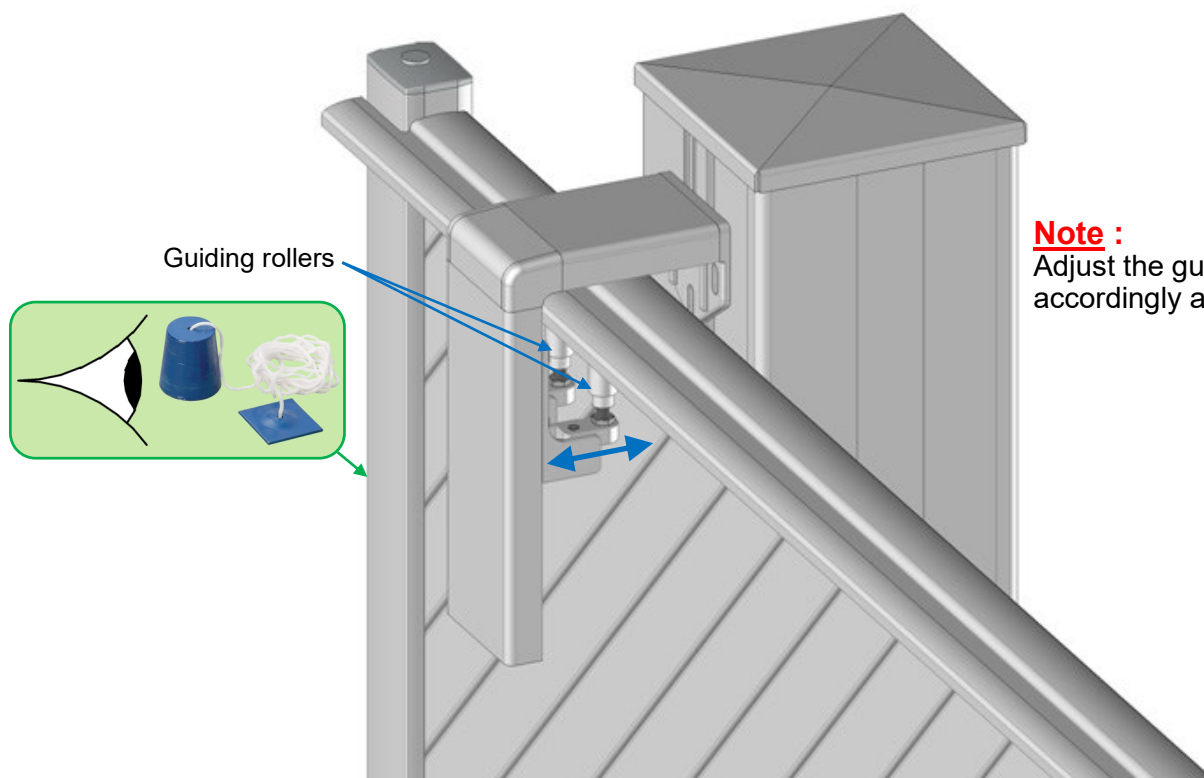
Straight frame gate



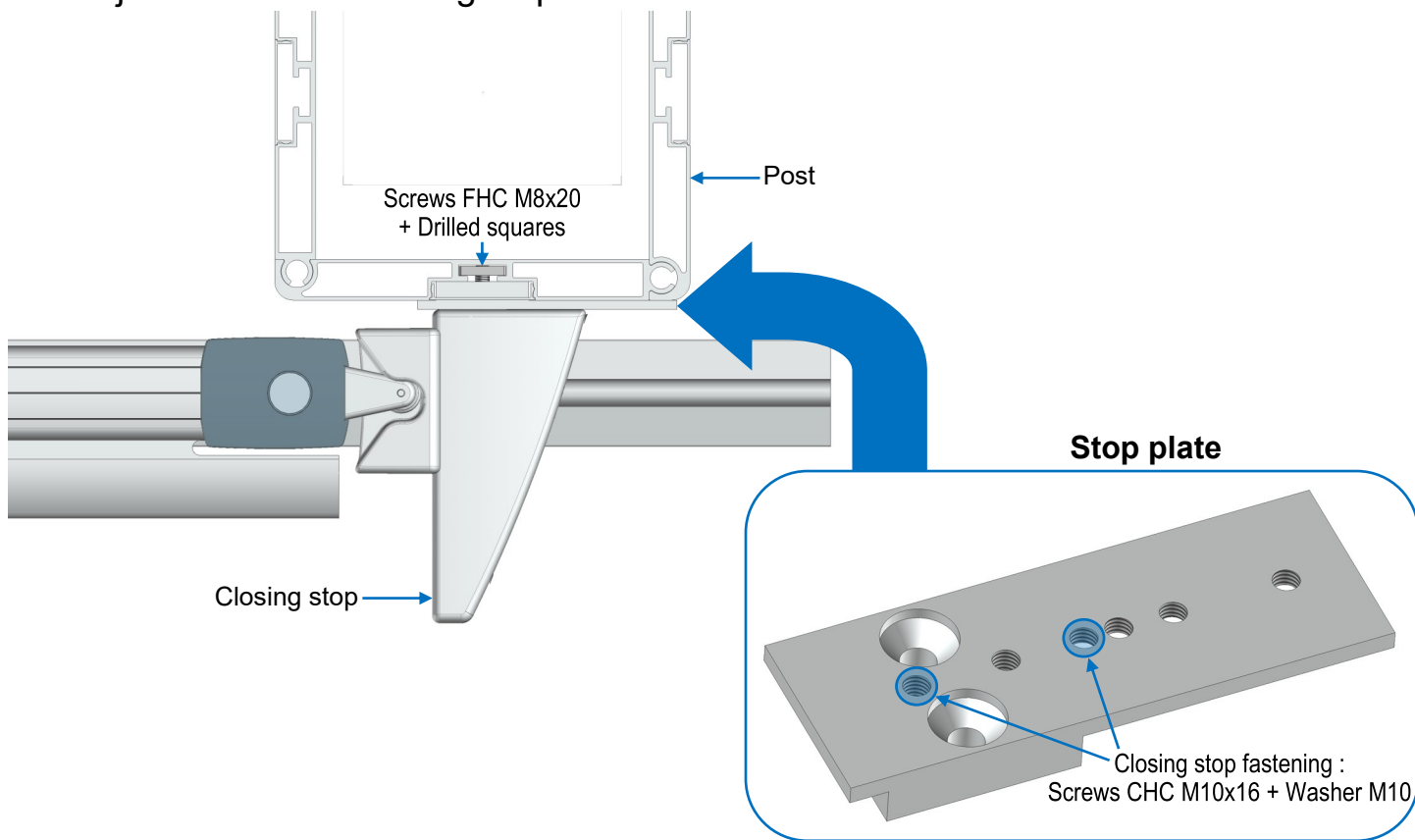
Shaped frame gate



9- Check the plumb of the gate :

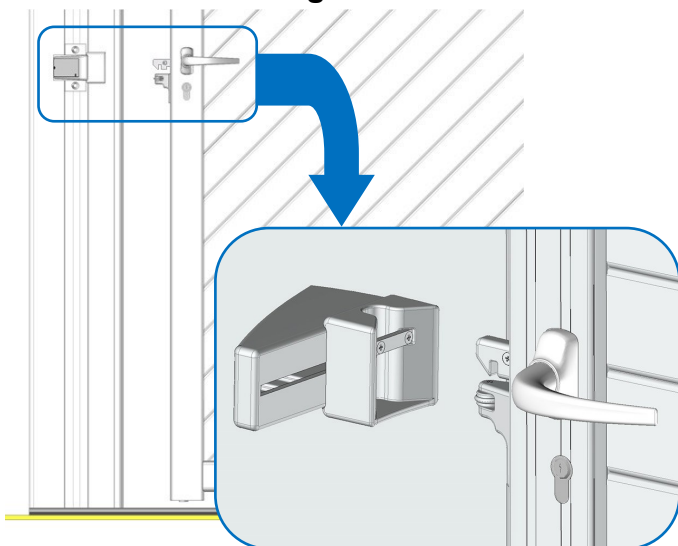


10- Adjust and fix the closing stop :



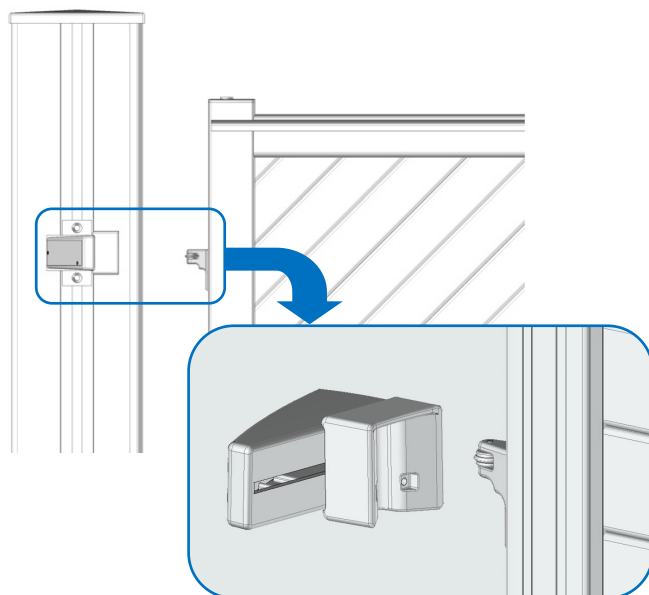
See below drawing for closing stop installation

Manual gate



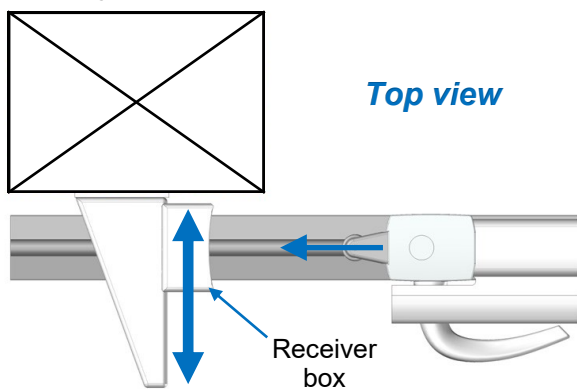
Closing stop
at the level of the lock

Motorized gate

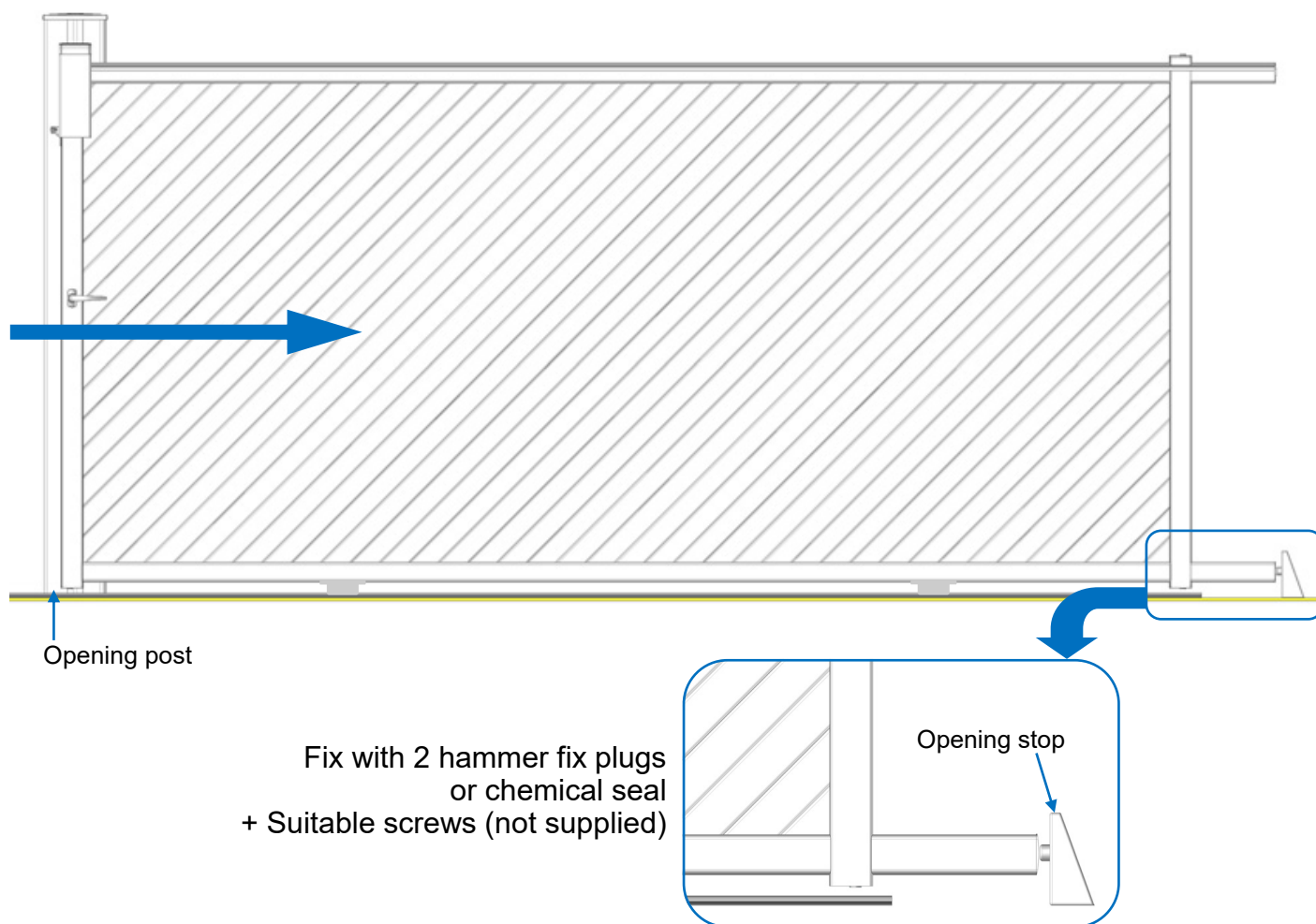


Closing stop
at the level of the centering finger

11- Adjust the receiver box :



12- Fix the opening stop :



13- In the case of a motorized gate, see the installation manual for the motors used.

