

N° 2120

12/19

Usage manual

MiniMax Shutter

47 step





WARNING !



**To ensure people's safety,
it is very important to follow
all the instructions below carefully and respect them.
If in doubt, contact your installer.**

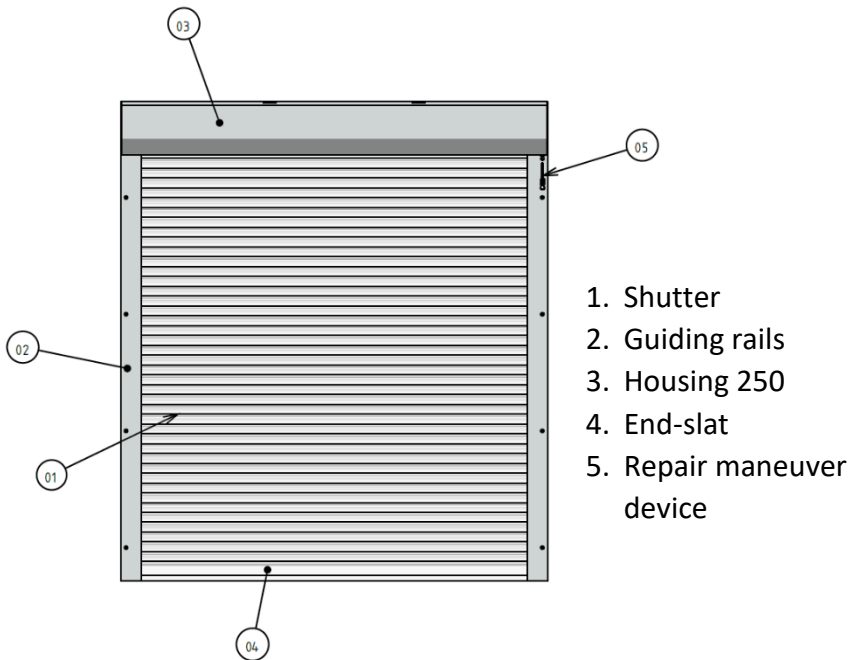
- Read this manual carefully before use.
- All the parts delivered are specifically sized for this product.
Adding or removing items may be detrimental to your safety and the product warranty.
- Operation of the door by untrained persons (especially children) is **strictly prohibited**.
- When using a remote control, do not leave it within reach of untrained people (children...).
- The door must be monitored as it moves.
Keep people away until the door is completely open or closed.
- **A moving door is a heavy product.**
Improper use, handling or malfunctioning can cause **serious accidents**.
- If you have any questions about this manual, please contact your installer.
- Always be very careful when using a door.

Contents

Description of the MiniMax shutter	3
Safety equipment	4
Operating principle	4
Types of operation	4
Emergency operation	6
Prohibited use	6
Repair, maintenance and breakdown	6

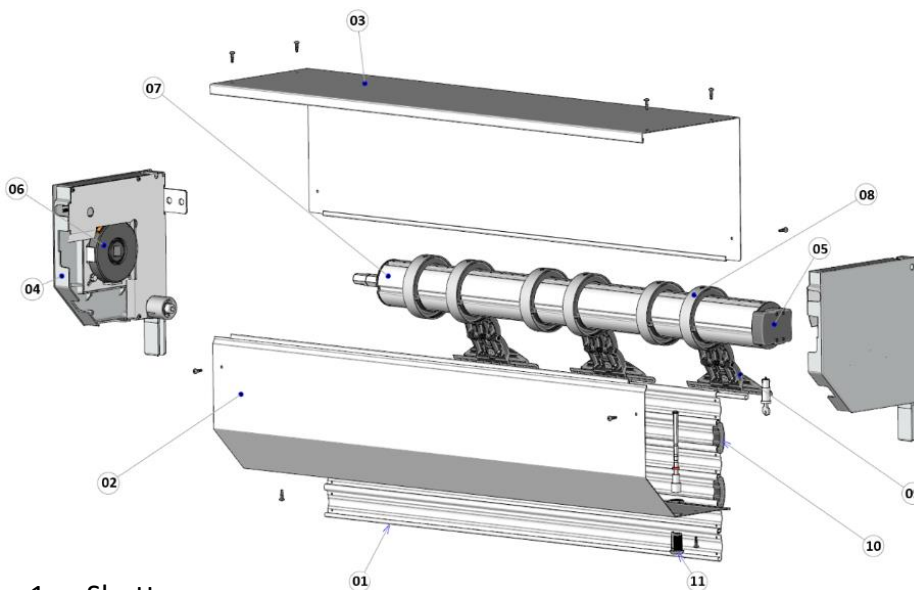
Description of the MiniMax shutter

Complete Product :



1. Shutter
2. Guiding rails
3. Housing 250
4. End-slat
5. Repair maneuver device

Housing assembly :



1. Shutter
2. Housing 250 hatch
3. Housing 250 top
4. Panel 250
5. Operator
6. Anti-fall guard
7. Axis Ø80
8. Automatic latch ring
9. Automatic 3-link lock
10. Noise reduction clip
11. Repair maneuver device



SAFETY INSTRUCTIONS FOR THIS DOOR

Poor installation or maintenance of this door can cause serious injuries. Make sure that the door is CE marked.

Observe the following instructions :

- A. Installation, maintenance and repairs can only be carried out by qualified fitters.
- B. Before any installation, maintenance or repair, the fitter should read the installation manual. This manual always comes with the door ; It must be available on site.
- C. **A moving door is a heavy product.** Misuse, poor manipulation or a malfunction can cause **serious accidents**.
- D. Children are not allowed to operate this door!
- E. Make sure you always look at the door when you operate it with the help of a remote control. People, children or objects may be in the way!
- F. Keep your fingers away from guiding rails, slats and other moving parts of the door. Only use the emergency crank handle to operate the doors manually.
- G. Make sure that the door is regularly inspected and serviced by a professional.
- H. If a safety device is engaged, no force must be used to open or close the door.
Contact your installer

Safety equipment

To comply with European regulations, a door must be equipped with safety devices, preventing the shutter from falling.

- **Anti-fall guard :**

The anti-fall guard prevents the shutter from falling in the event of a broken compensating element or imbalance. The axis is then blocked and the shutter can no longer be lowered.

The door will work again when the defective parts are replaced by your installer.



Do not touch the fence element when the anti-fall guard is engaged, secure the danger area and contact your installer!

The release or replacement of the anti-fall guard may only be carried out by competent personnel!

Never try to open or close a door with the anti-fall guard engaged.

Operating principle

The shutter is guided vertically by guiding rails ; It rolls up around an axis during opening and moves during closing.

- **Motorized doors :**

The weight of the shutter is entirely taken up by motorization (there is no spring to compensate for the shutter weight).



**Always watch the door when opening or closing.
Make sure that no person or object is in the doorway
or close to the guiding rails.**

**BE CAREFUL NOT TO BE TRAPPED,
never lock yourself inside a premise that has only one access.**

Types of operation

- **Motorized drive (electrically driven) :**

A door can be equipped with 2 different types of controls :

- **Hold to run :**

Control device that requires continuous manual operation to function.

- **Mixed :**

A control device that requires instantaneous action to initiate movement on ascent and continuous manual action on descent.

Two additional factors must be taken into consideration :

- **The user** : Trained or untrained.
- **Usage** : In a public area or not.

Please note : Users may be considered as "trained" when the employer, the supervisor or the owner of the premises has authorized them to use the fence element and given them information on how to use it.

The two above points determine the safety protocol to be followed.

- **Possible command types :**

- **2-button hold-to-run box :**



↑ **Opening** : Hold down the "Ascent" button to open the door.

↓ **Closing** : Hold down the "Descent" button to close the door.

⊙ **Stop** : Release the open or close button.

- **3-button box :**



↑ **Opening** : Press the "Ascent" button once to open the door.

↓ **Closing** : Hold down the "Descent" button to close the door.

⊙ **Stop** : During ascent, press the "Stop" button.
During descent, release the "Descent" button. ↓

- **Hold-to-run key switch box :**



▲ **Opening** : Turn the key and hold it in "Opening direction" to open the door.

▼ **Closing** : Turn the key and hold it in "Closing direction" to close the door.

⊙ **Stop** : Release the key.

➤ **Key box for mixed operation :**



▲ **Opening :** Turn the key momentarily in "Opening direction" to trigger the opening.

▼ **Closing :** Turn the key and hold it in "Closing direction" to close the door.

⊙ **Stop :** During ascent, turn the key in the same direction. During descent, release the key.

Emergency operation

For operation, see the explanatory sheet given to you by your installer.

Make sure you keep this information near the door.

Prohibited use



Never :

- **Lean against the shutter or the guiding rails.**
- **Add or remove weight from the shutter.**
- **Use the door as a hoist.**
- **Hold onto or hang from the shutter.**
- **Stand under a moving door.**



BE CAREFUL NOT TO BE TRAPPED ;

Never lock yourself inside a premise that has only one access.

Repair, maintenance and breakdown



European standards require frequent maintenance and inspection of locks.

For your safety, establish a service contract with a qualified company to determine the frequency and ensure the maintenance of the doors.

The maintenance of our products must be carried out according to our maintenance logs according to the number of daily uses.



Any work on a door must be carried out by a qualified professional installer.



If the shutter falls down by itself (of its own weight), the door must be checked and inspected by a professional installer.



Never clean a door with high-pressure washers or aggressive chemicals.



DECLARATION OF CONFORMITY



We, the undersigned, FTFM LA TOULOUSAINE, located in Escalquens (31676 Labège Cedex), declare that the product named below meets the requirements of the harmonized standard NF EN 13241 + A2, for products delivered as a single supply.

Accordingly, we declare the conformity of the product mentioned below with the provisions of the following European directives :

- 305/2011/EC : Construction Products Directive (manual and power-operated doors)
- 2006/42/EC : Machinery Directive (power-operated doors)
- 2014/35/EU : Low Voltage Directive (motorized doors)
- 2014/30/EU : Electromagnetic Compatibility Directive (power doors)

Product Performance Levels :

Water tightness	Class : 2
Resistance to wind load	Class : 2 to 4 depending on door characteristics
Thermal transmission	Class : PND*
Air permeability	Class : 0 Durability
of watertightness, thermal resistance and air permeability	Class : PND*
	(*) PND : Performance not determined

PRODUCT DESCRIPTION	
Place of manufacture	31750 ESCALQUENS - FRANCE
Model	MiniMax metal security shutters
Class of use	Motorized industrial, commercial and garage doors.
Notified Body	CSTB - 24, rue Joseph Fourier - 38400 ST-MARTIN D'HÈRES

Escalquens, September 25, 2019

Tugdual DAVID
Product Manager





Declaration of performance

N°1909-RPC-MX

We, the undersigned, FTFM LA TOULOUSAIN, located in Escalquens (31676 Labège Cedex), declare that the products listed below comply with Annex ZA of standard NF EN 13241 + A2. Doors and gates for industrial and commercial premises and garages. (Products without fire or smoke protection features).

The main intended use is to provide safe access to goods and vehicles that are accompanied or driven by persons in commercial or industrial premises, or in public or residential buildings.

- The products concerned : The CSTB n°0679 carried out the tests required by the standard according to system 3
- Test report n° BV19-1204 issued by the CSTB (Shutter 2400 x 2000 mm).

Essential characteristics	Performances	Technical specifications
Water tightness	2	Complies with § 4.4.2 of standard NF EN 13241 + A2
Emission of dangerous substances	Passed	Complies with § 4.2.9 of standard NF EN 13241 + A2
Resistance to wind load	2 to 4	Class 4 : 2400x2000 mm, 6/10th
Thermal resistance (if applicable)	NPD	
Air permeability	0	Complies with § 4.4.6 of standard NF EN 13241 + A2
Opens in complete safety	Passed	Complies with § 4.3.3 of standard NF EN 13241 + A2
Definition of the geometry of glass components	NPD	
Mechanical resistance and stability	Passed	Complies with § 4.2.3 of standard NF EN 13241 + A2
Operating forces (for motorized doors)	Passed	Complies with § 4.3.3 of standard NF EN 13241 + A2
Durability of water tightness, thermal resistance and air permeability with regard to deterioration	NPD	

September 25, 2019

Tugdual DAVID
Product Manager

