

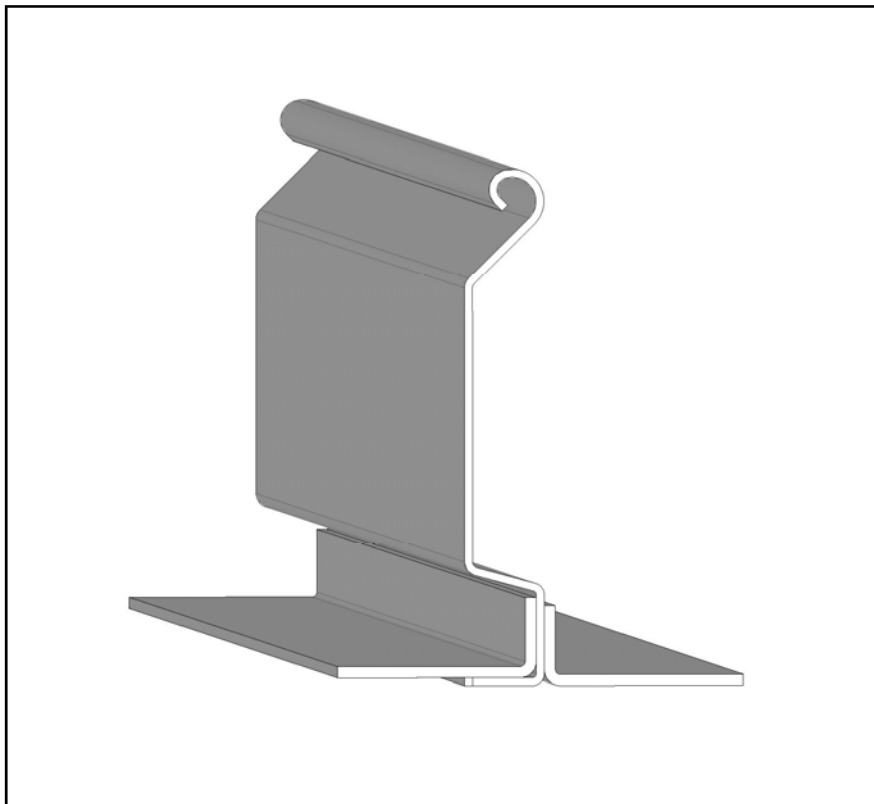
Installation manual

No. 1951

05/05

MURAX P110 SHUTTERS AND DENTEL GRILLE

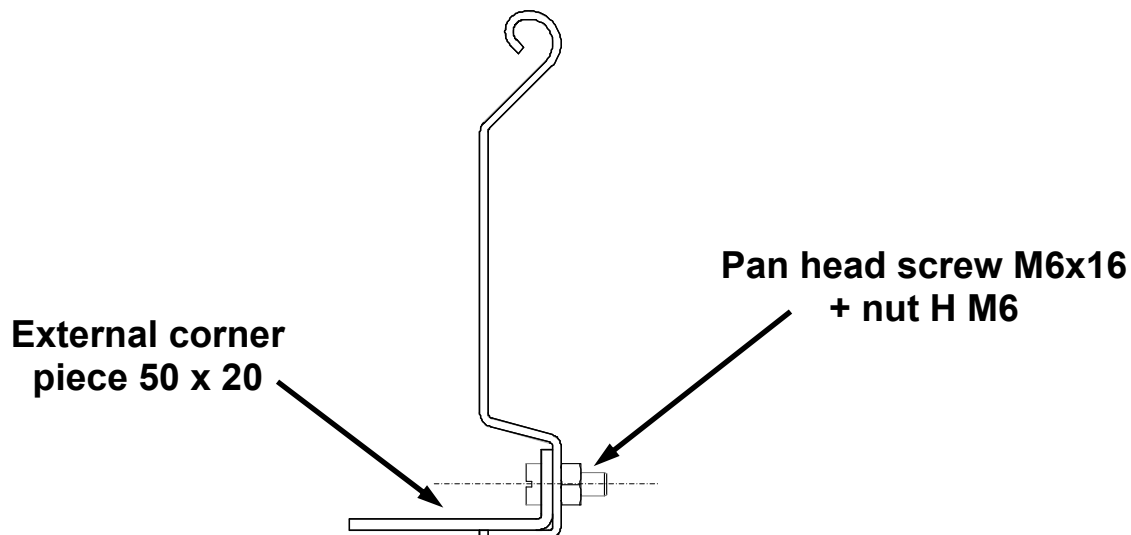
End-slat supports



(Document reserved for installers)

1 Corner piece 50 x 20 for the end-slats in the following cases:

- * Galva Murex 110 if $4,000 \leq \text{BAY WIDTH} < 5,000$ mm
- * Laquered Murex 110 if $3,000 \leq \text{BAY WIDTH} < 5,000$ mm



2 Corner pieces 50 x 20 for the end-slats in the following cases:

- * Galva Murex 110 if $\text{BAY WIDTH} < 5,000$ mm
- * Laquered Murex 110 if $3,000 \leq \text{BAY WIDTH} < 5,000$ mm
- * Dentel if $\text{BAY WIDTH} \geq 5,000$ mm

