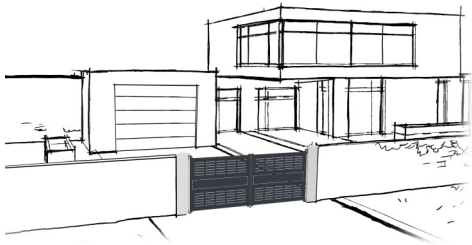


# Manual : N° 7409

## OPTION

### *2-leaf Gate*



## *Multi-operation plate*



On 220 aluminum post to screw

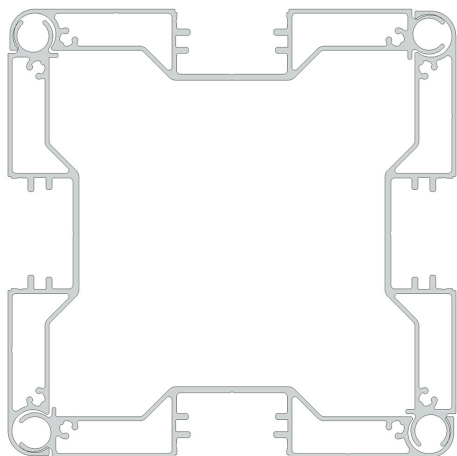


On 220 aluminum post to seal

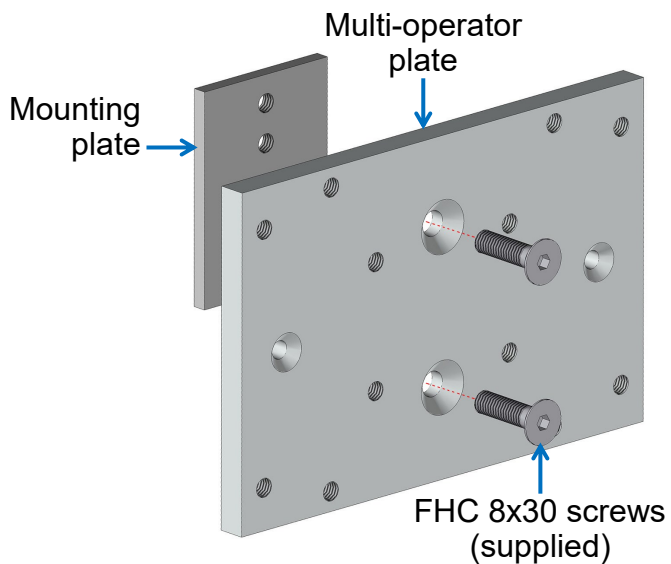
(Document reserved for installers)

# Plate assembly

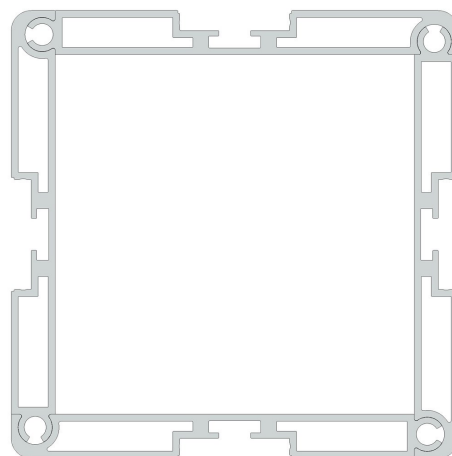
**Post to screw**



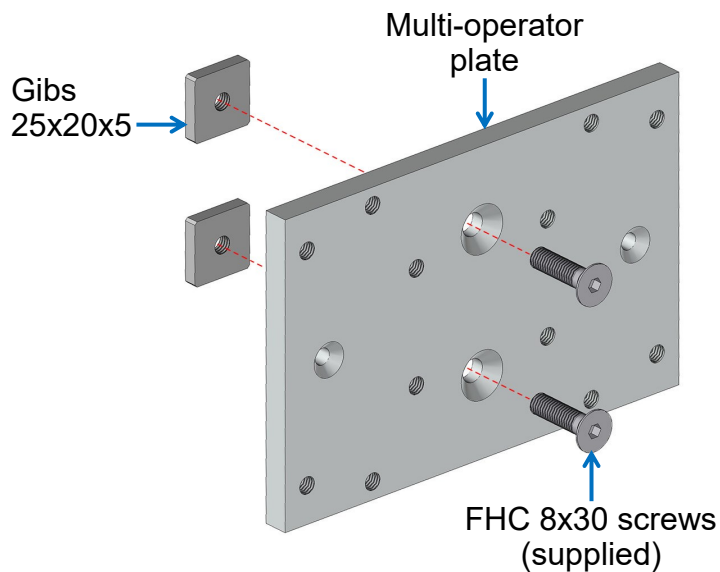
Assemble the multi-operator plate and the fixing plate with 2 FHC 8x30 screws (supplied)



**Post to seal**

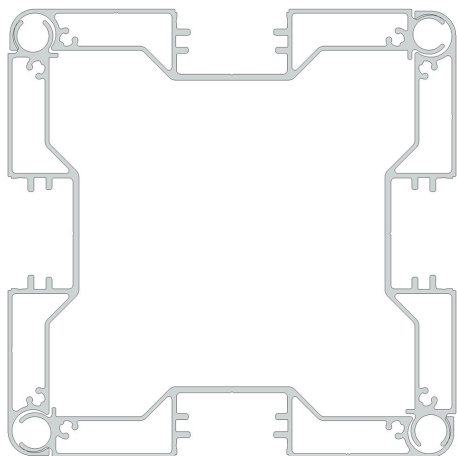


Assemble the multi-operator plate and the 2 25x20x5 gibs with 2 FHC 8x30 screws (supplied)

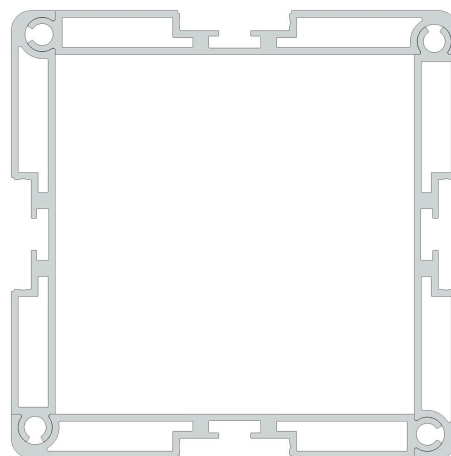


# Insert the plate in the post

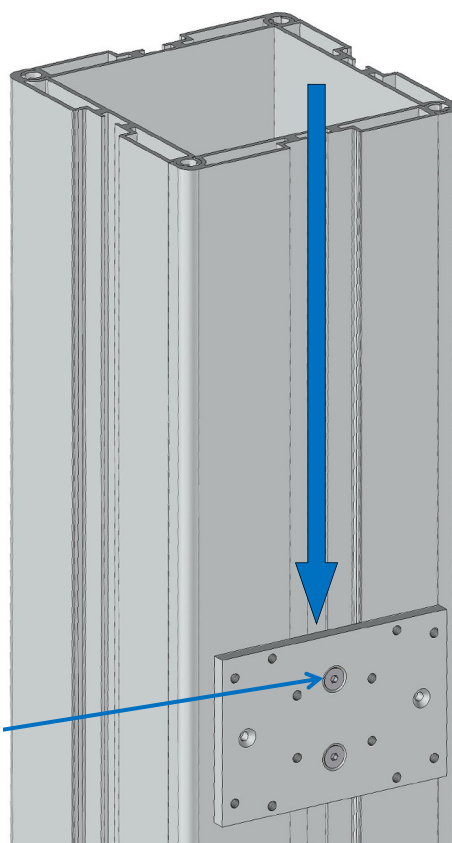
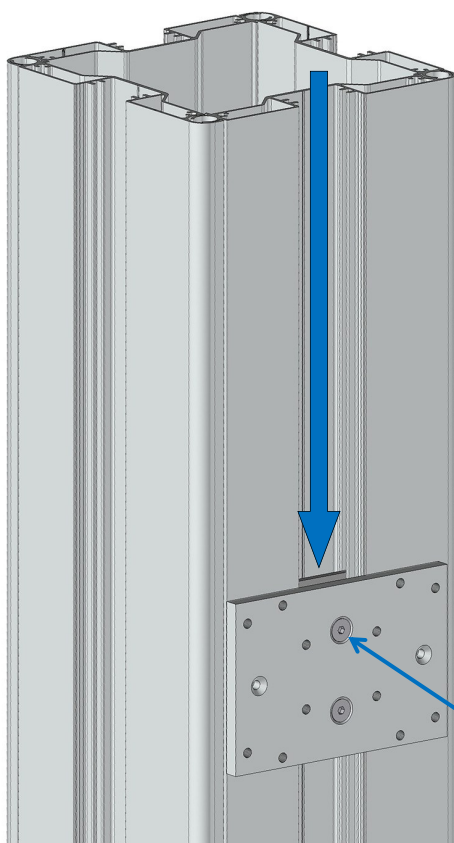
Post to screw



Post to seal



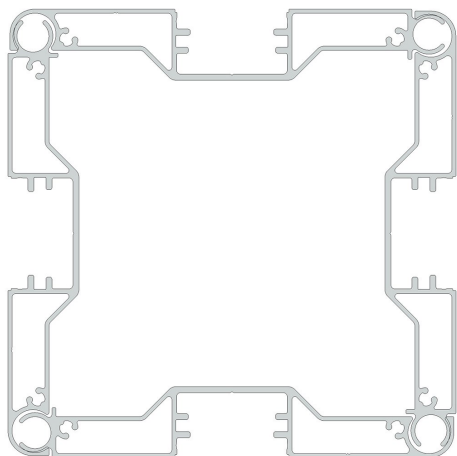
Slide on the multi-operator plate assembly in the groove of the post and place it at the desired height. Provisionally lock the plate by tightening the 2 FHC 8x30 center screws.



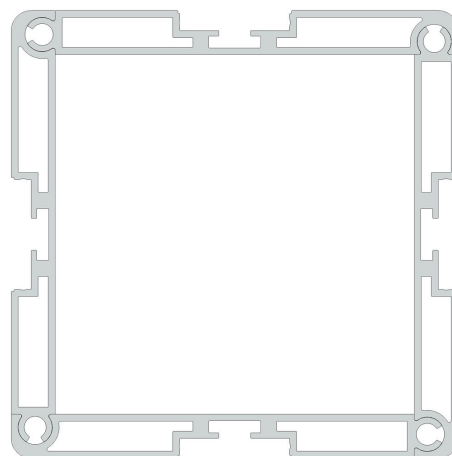
FHC 8x30 screws (supplied)

# Attach and lock the plate

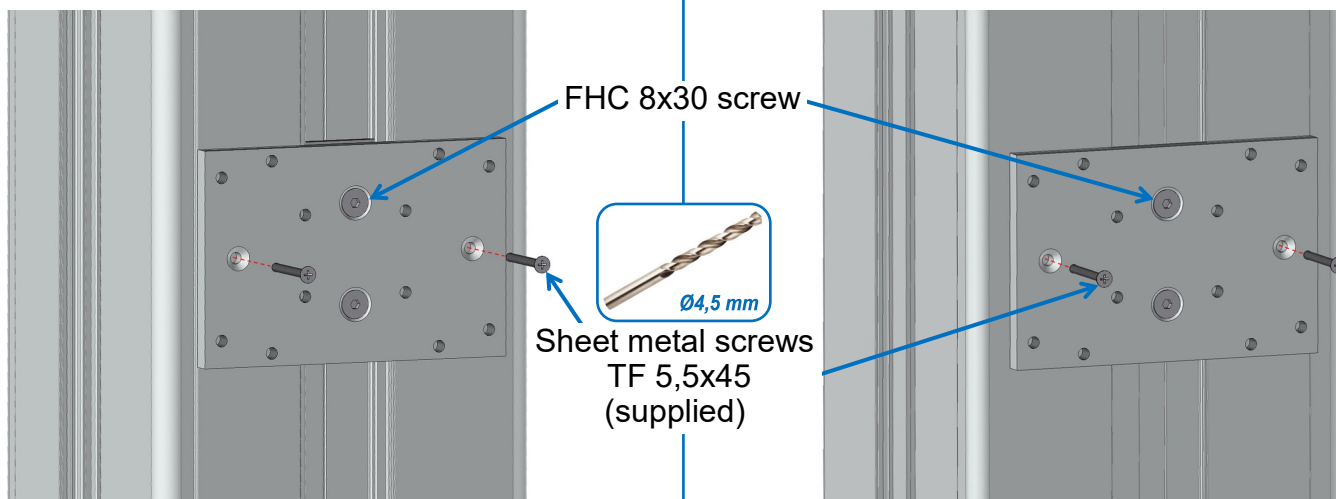
Post to screw



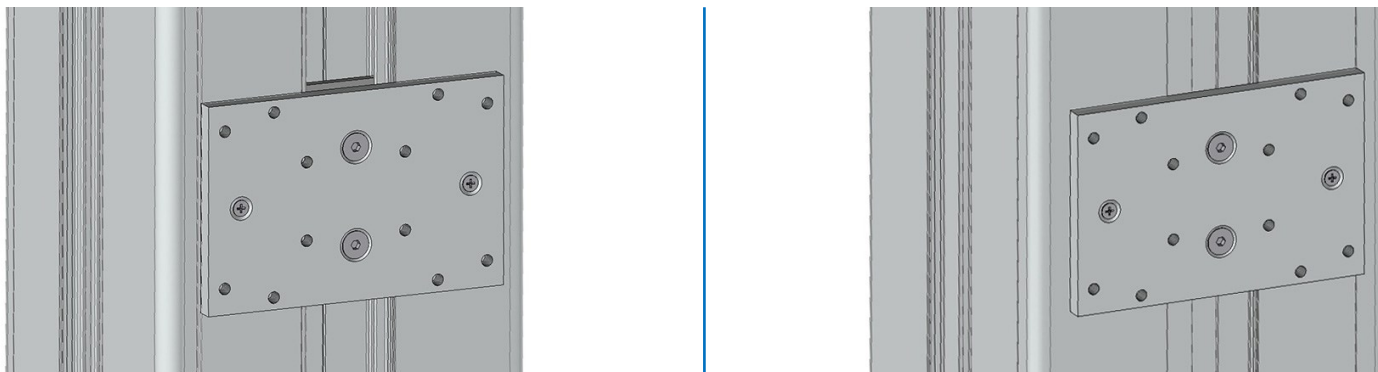
Post to seal



Make 2  $\text{Ø}4,5$  mm holes on the post where the milled holes of the plate are located.  
 Fix it with 2 sheet metal screws TF 5,5x45 (supplied).  
 Lock it definitively, using the 2 FHC 8x30 center screws.



Final visual



Position the operator on the plate and screw it onto the threaded holes provided for this purpose :

- **LT100 and Somfy Multipro operators** : 4 screws TH 8x15 (supplied) + 4 washers M8.
- **Somfy Axovia operator** : 4 screws TH 8x25 (supplied) + 4 washers M8.