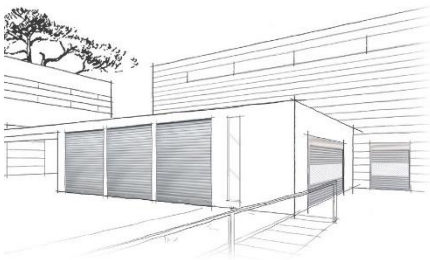


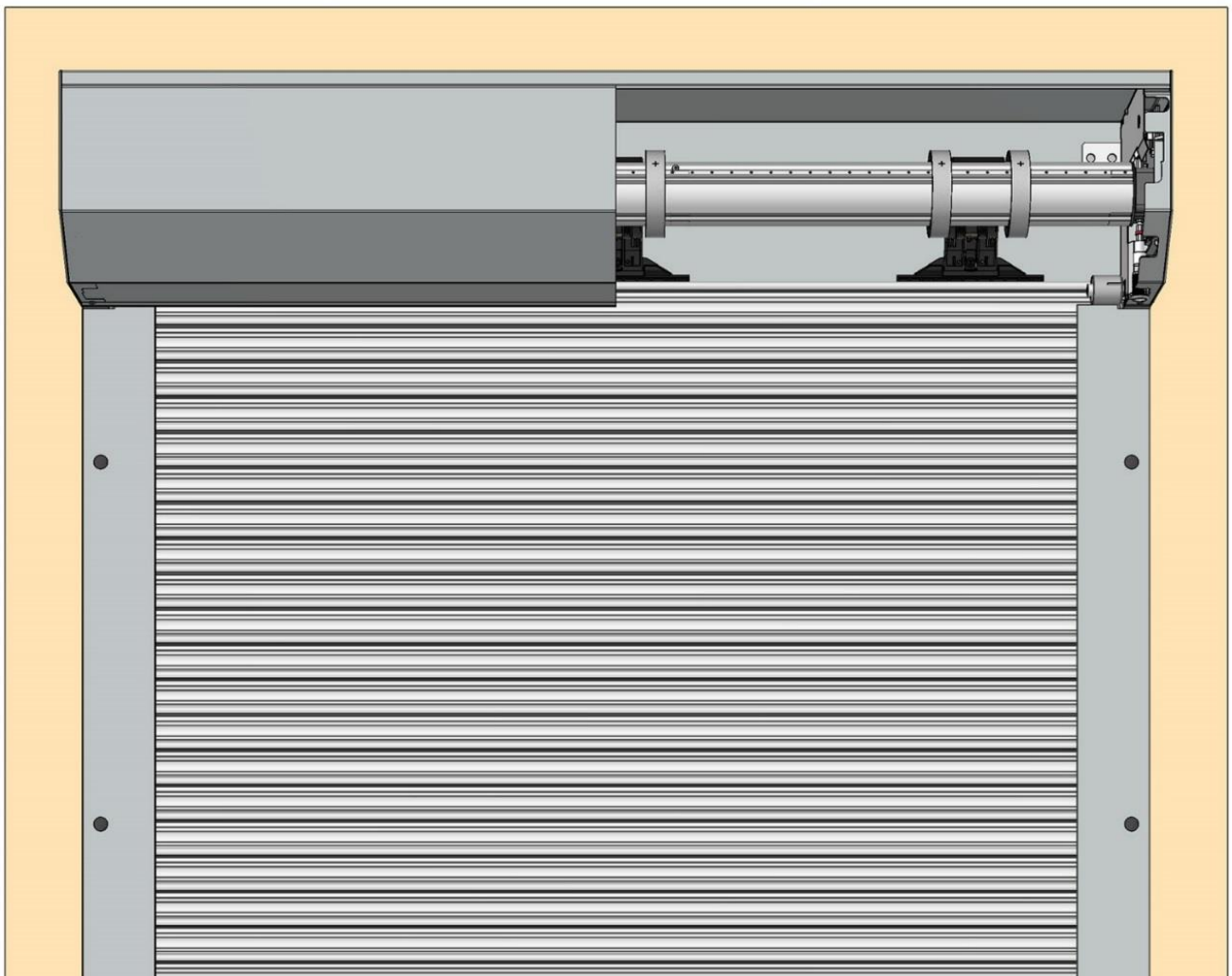
INSTALLATION

Motorized MiniMax Shutter



HOUSING 250

(47 step)



(Document reserved for installers)

Contents

Installation instructions	3
Before installation	3
Required equipment.....	3
Layout	4
Product presentation.....	4
Installation of the structure.....	5
Dimensional checks	5
Spotting & Drilling of fastener points	6
Fixing the MiniMax shutter.....	9
Connecting the operator	10
Principle	10
Button box	11
2-button box	11
Key switch box	11
Button box with key switch box.....	11
Shutter	12
Attaching the shutter.....	12
Guiding rail shutter passage	15
Setting the limit-switches	15
Shutter check.....	17
Assembly of the emergency maneuver.....	18
Standard Vertical Maneuvering.....	18
Secure maneuver: OPTION	18
Corner drive maneuver: OPTION	19
Finishes	20
Use of the emergency maneuver	21

Installation instructions



To ensure that this product is assembled, used and maintained in complete safety, it is important to follow the instructions provided in this document. For everyone's safety, please observe the precautionary measures below.

- Before beginning the assembly, read this manual carefully.
- This fence element must be installed by a professional technician.
- All the parts delivered are specifically sized for this product. Adding and/or using other parts may be detrimental to safety and may affect the product's warranty.
- Any modification or improvement of this fence element must be compliant with the standard EN 13241 + A2. In this case, a "modification/transformation" file must be created by the installer as per the standard EN 12635 Annex C.
- This work must therefore be carried out in accordance with the safety instructions. Use the appropriate tools to install these products. Ensure that the work is carried out on a stable floor.
- Ensure that the assembly area is adequately lit, clear, clean and clearly marked out.
- Ensure that no other people are present at the assembly site apart from the installers. Non-authorized persons (children for example!) who are present at the site risk injury during assembly.
- All the components of this fence element must be installed in compliance with the installation instructions provided in this manual.
- All the requirements of the standards EN 13241 + A2 must be met and verified if necessary.

Max. locking torque :

Assembly screw : 10 Nm

Shutter clip screw : 12 Nm

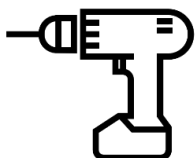
Min. working load per attachment point :

Plates : 300 daN

Guiding rails : 40 daN

Before installation

Required equipment



Screwdriver



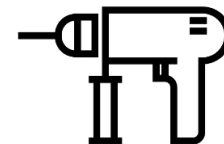
Tape meter



Spirit level



Plumb bob



Drill



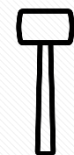
Screwdriver cross-head



Square end-piece



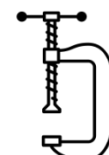
Cross-head tip



Mallet

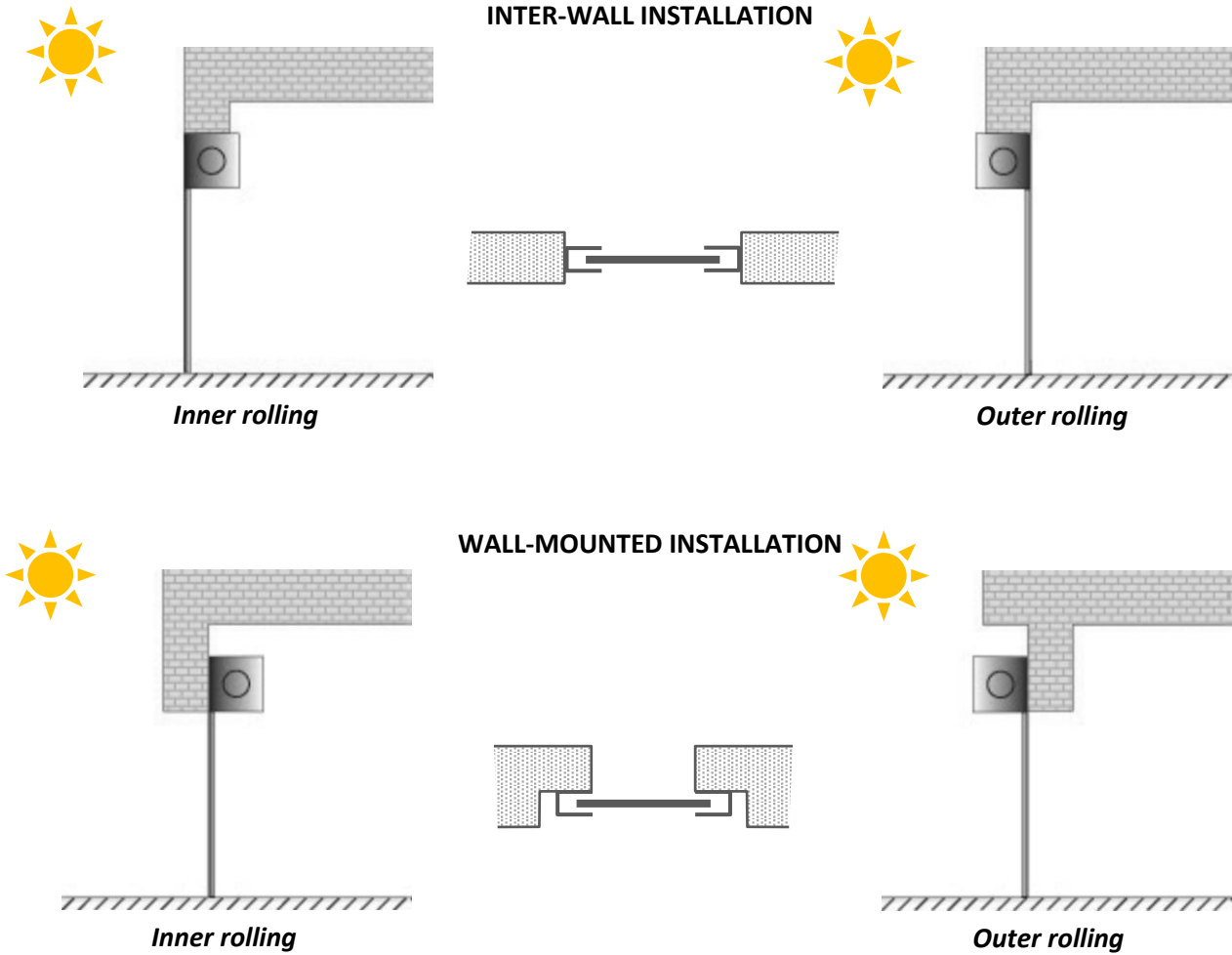


Pencil

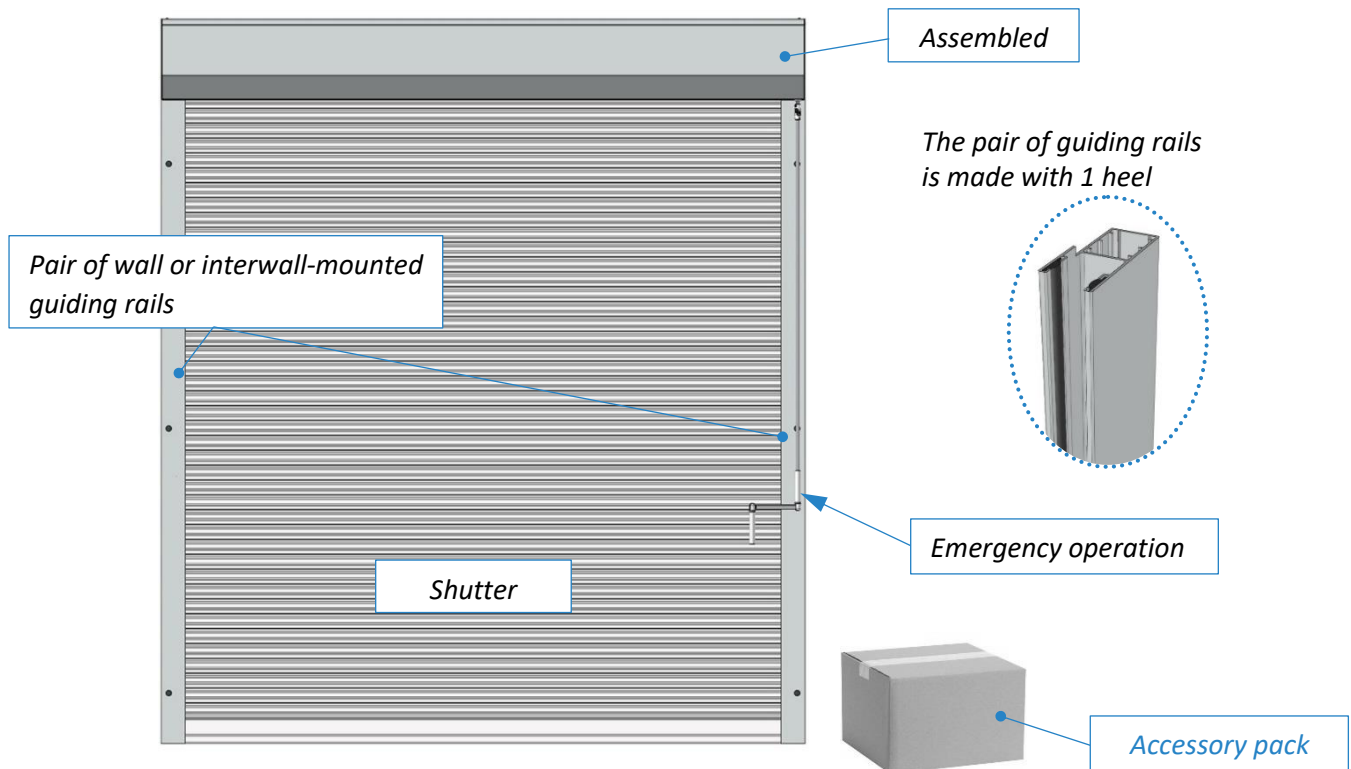


Clamps

Layout



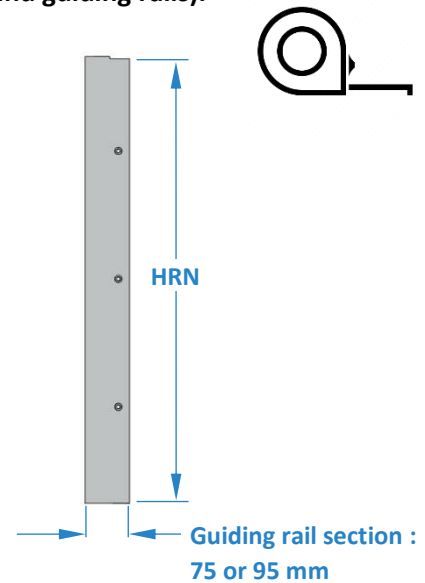
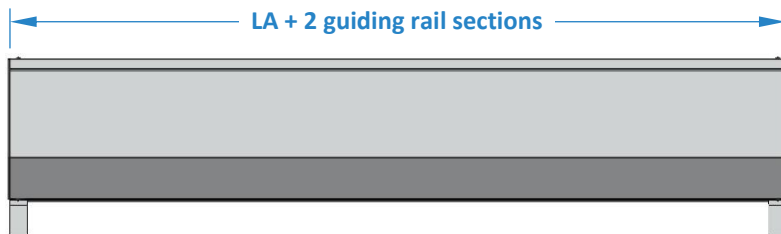
Product presentation



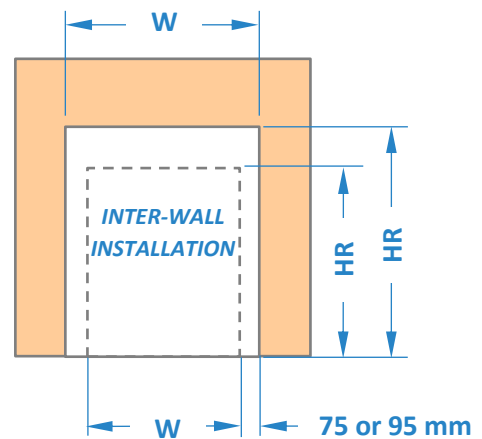
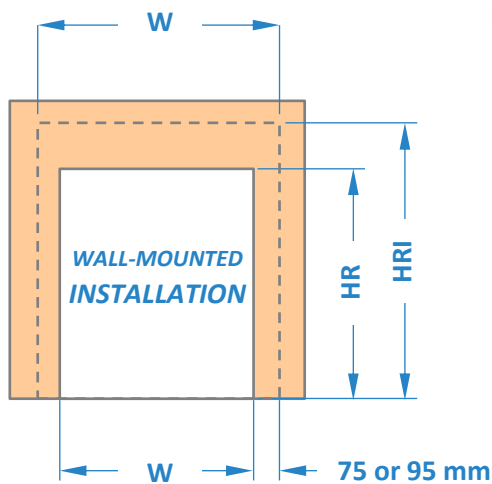
Installation of the structure

Dimensional checks

1. Check the dimensions of the supplied MiniMax shutter (housing and guiding rails).



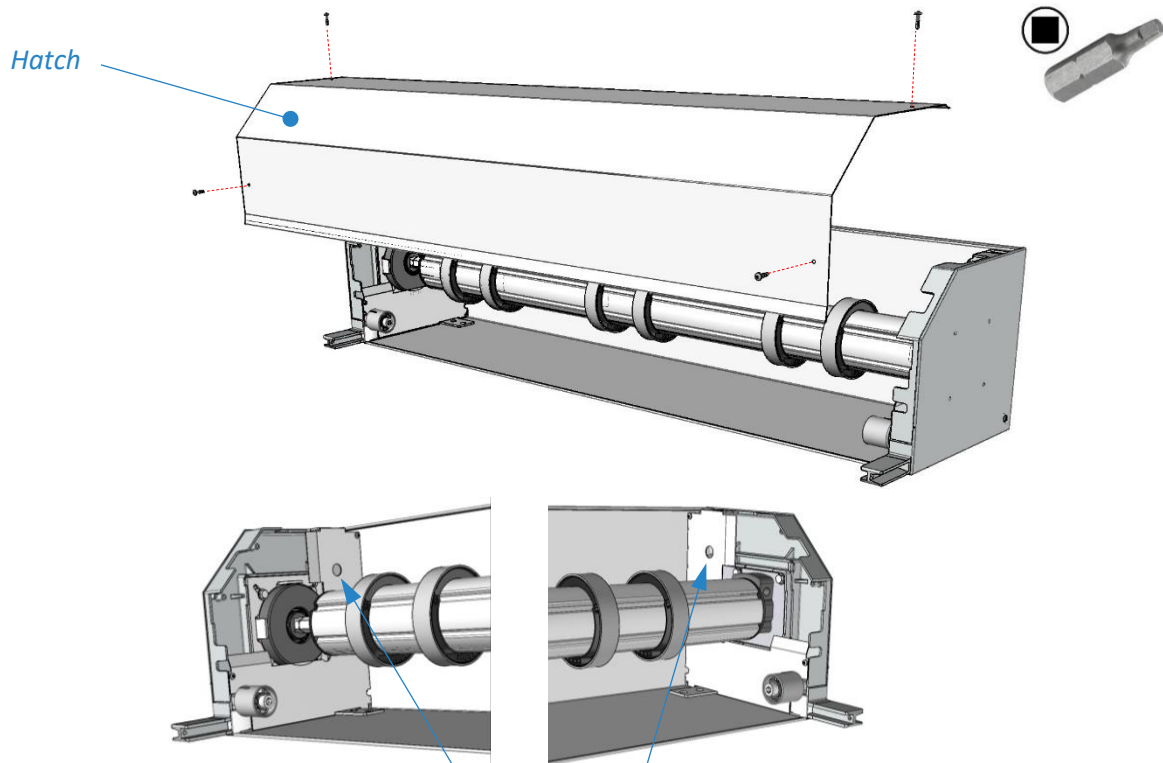
2. Check the dimensions of the masonry.



**Do not connect the operator until the product is mounted on the wall.
Risk of blockage of the anti-fall guard, in horizontal position.**

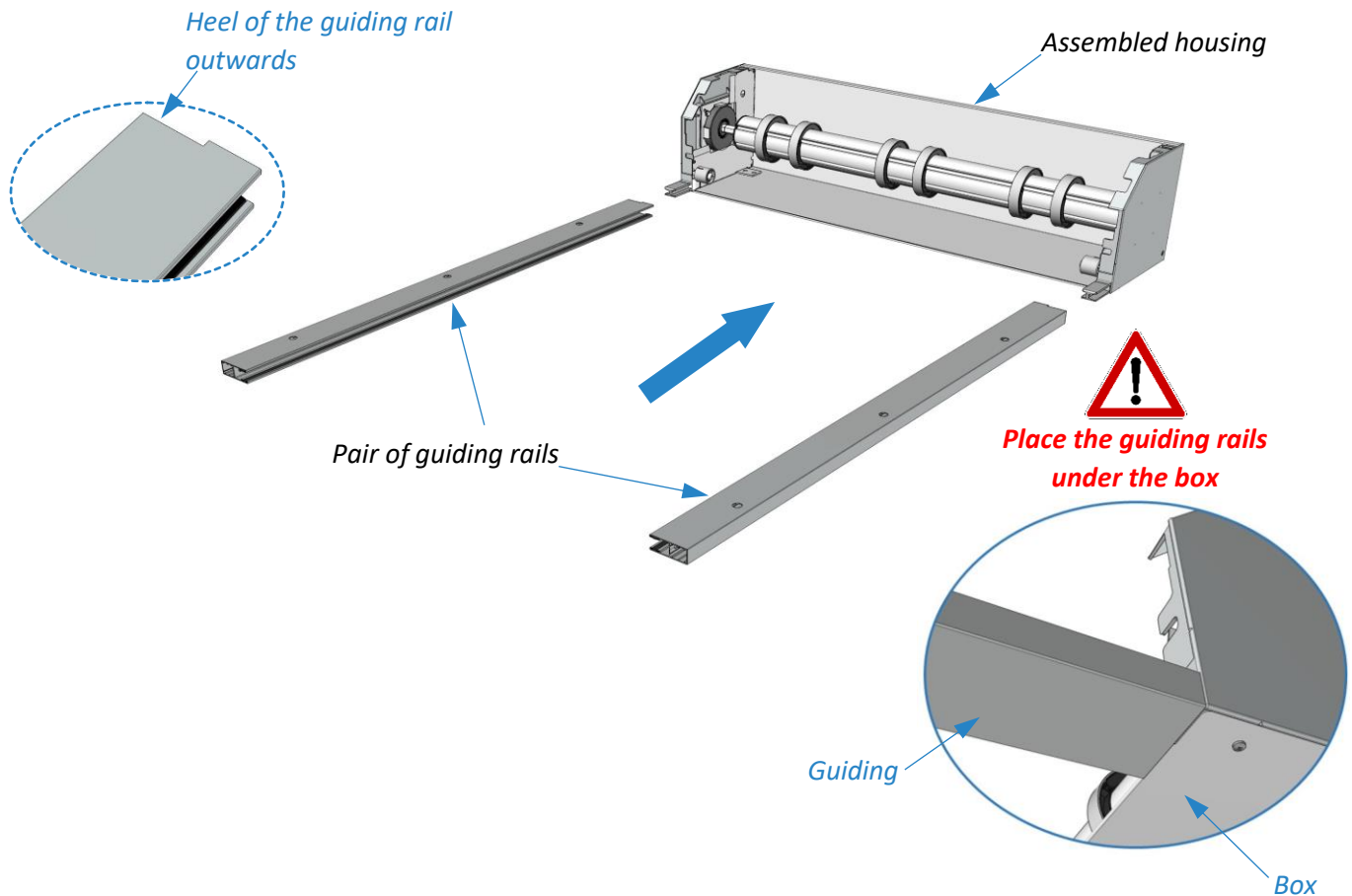
Spotting & Drilling of fastener points

1. Disassemble the inspection hatch.

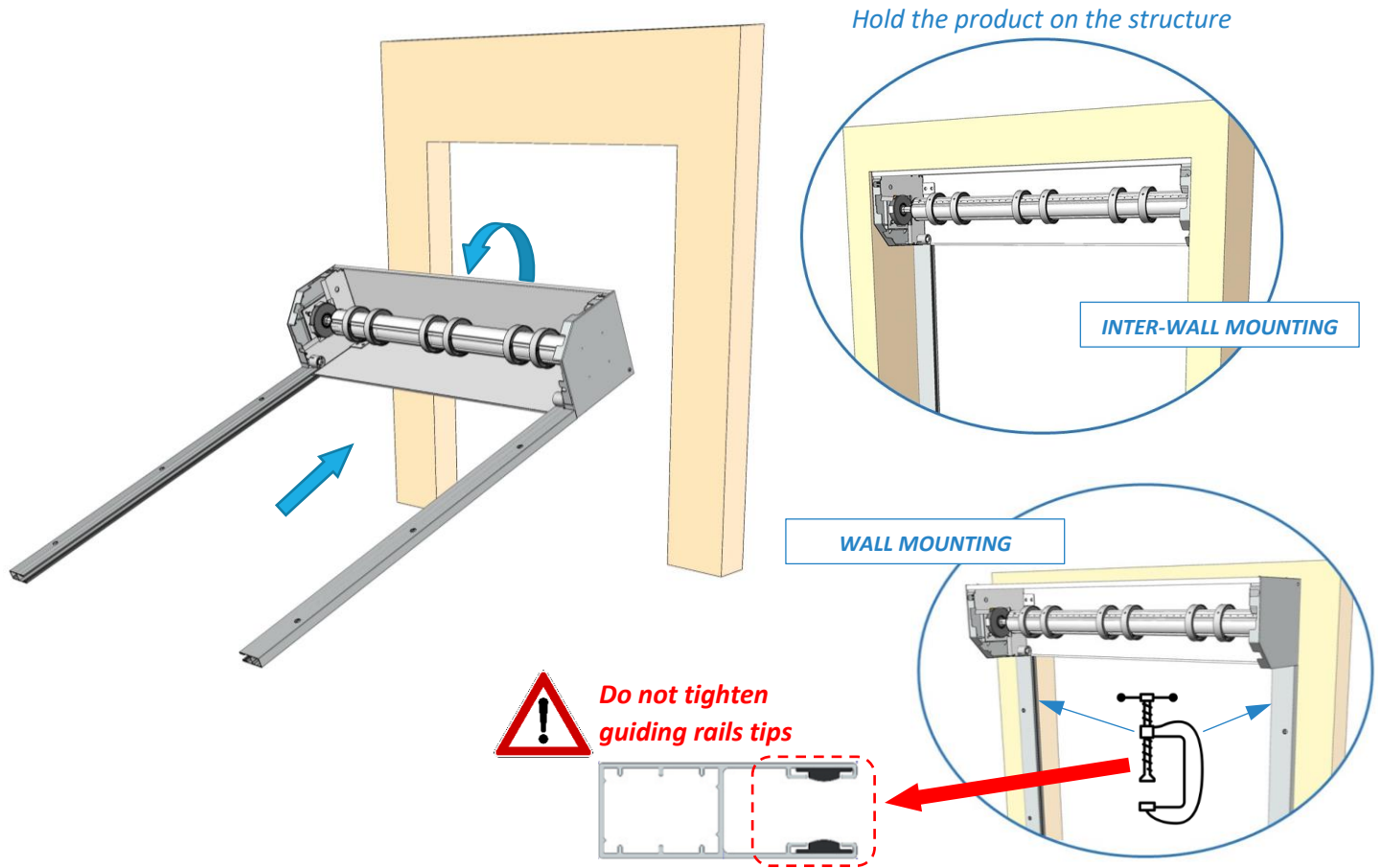


Please note : In the case of inter-wall installation, drill the panels ($\varnothing 8$ mm) in the flange holes.

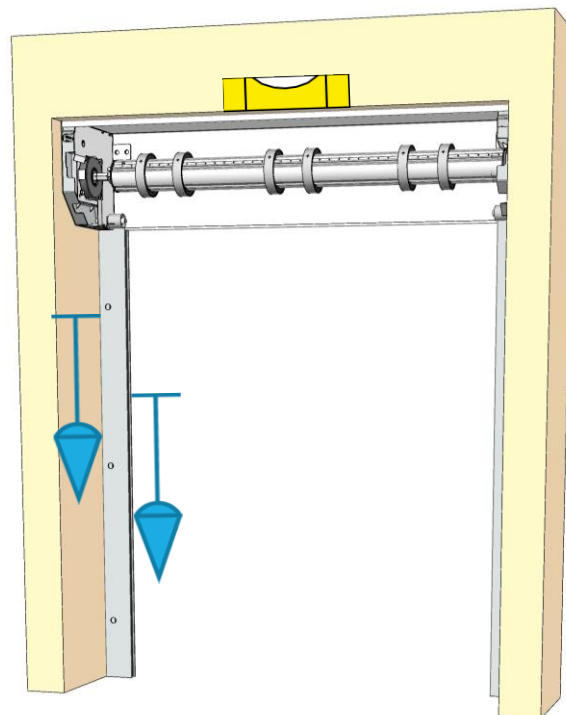
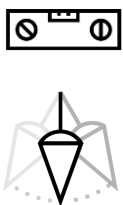
2. Insert guiding rails on assembled housing.



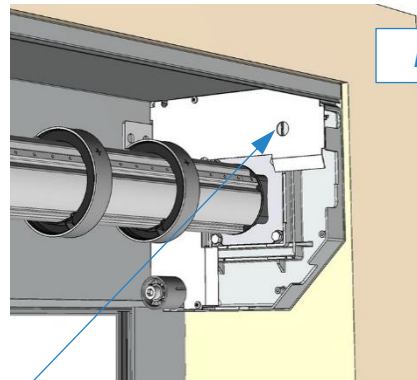
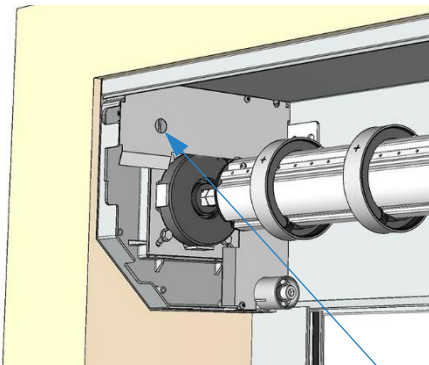
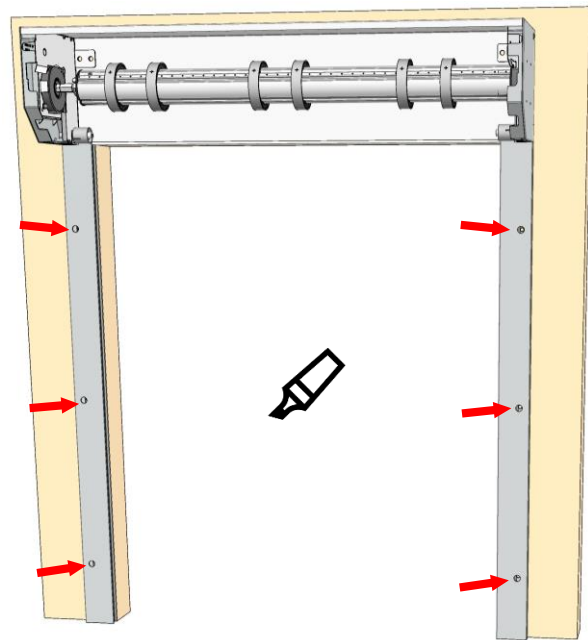
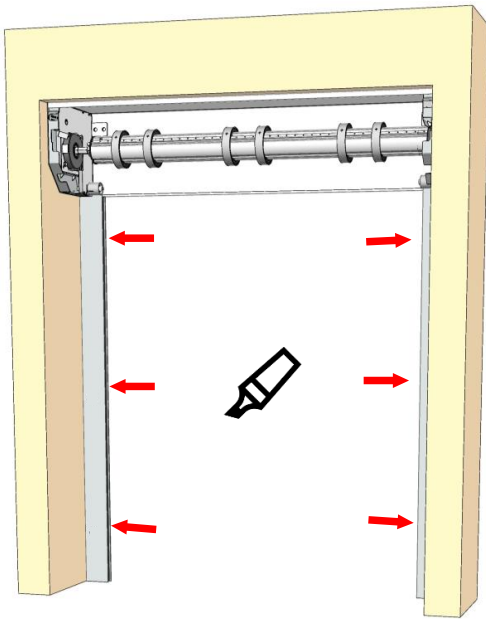
3. Present structure according to the type of installation at the intended location.



4. Check guiding rail and box levels.



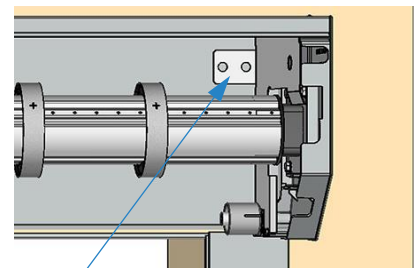
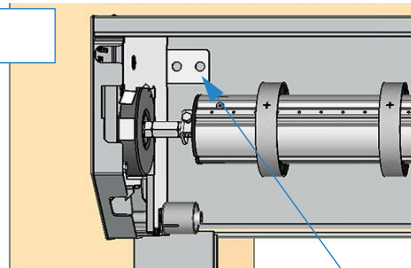
5. Mark the fixing points for the guiding rails and the housing.



INTER-WALL MOUNTING

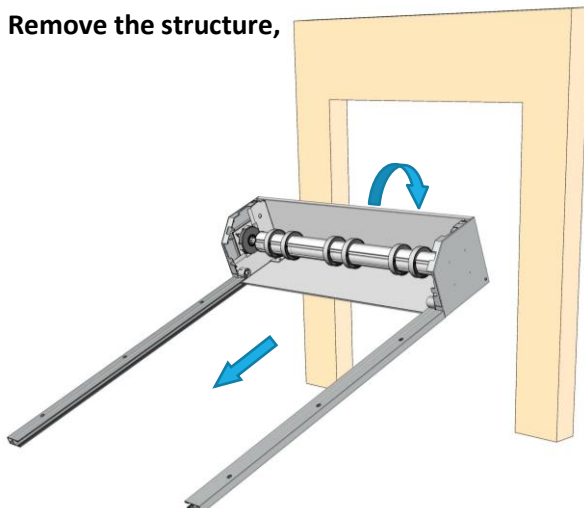
Mark on the wall, the points where the panels are attached

WALL MOUNTING

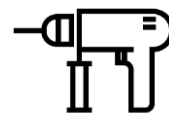


Mark on the wall, the fixing points of the brackets

6. Remove the structure,

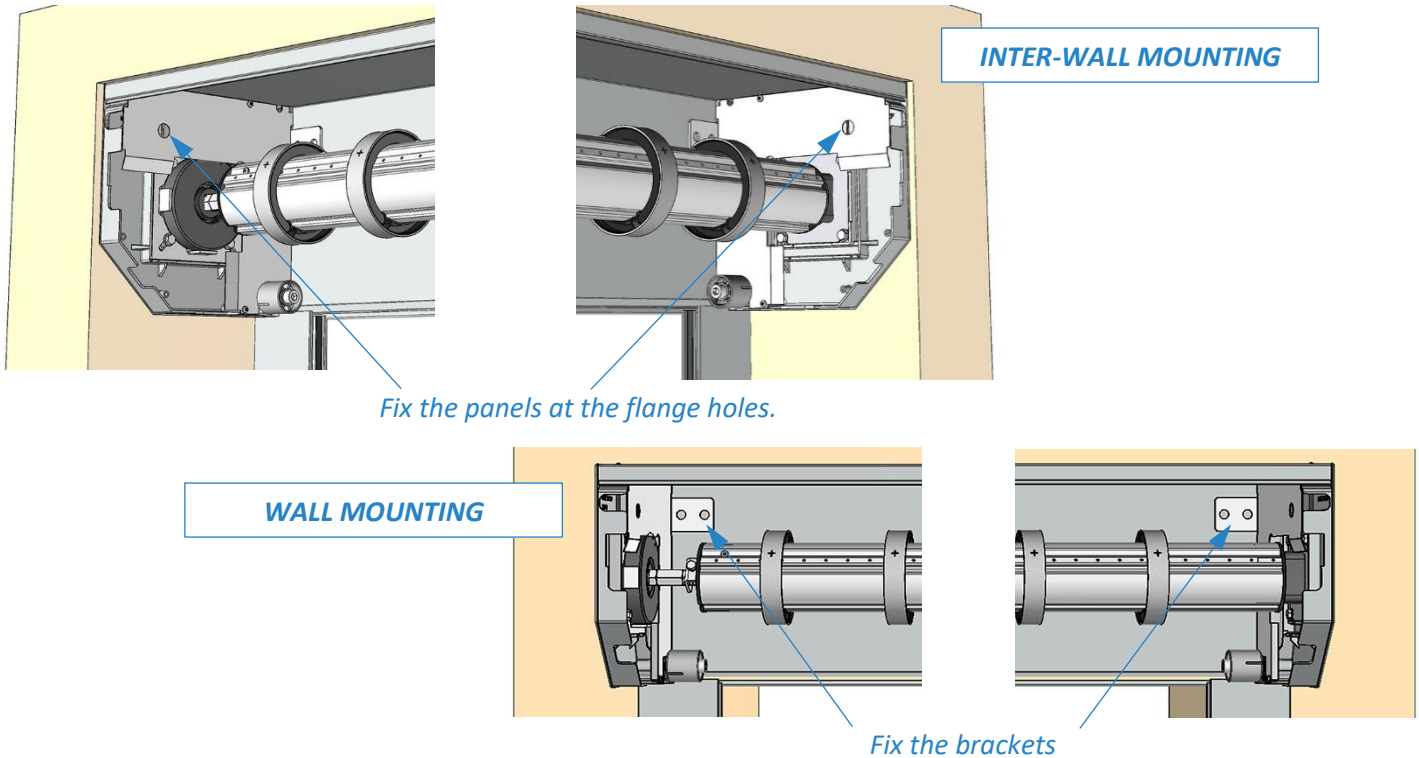


then drill the mounting holes in the wall.



Fixing the MiniMax shutter

1. Reposition the structure on the masonry.
2. Fix the guiding rails to the masonry ($\varnothing 8$ screws not supplied).
3. Attach the housing ($\varnothing 8$ screws not provided)

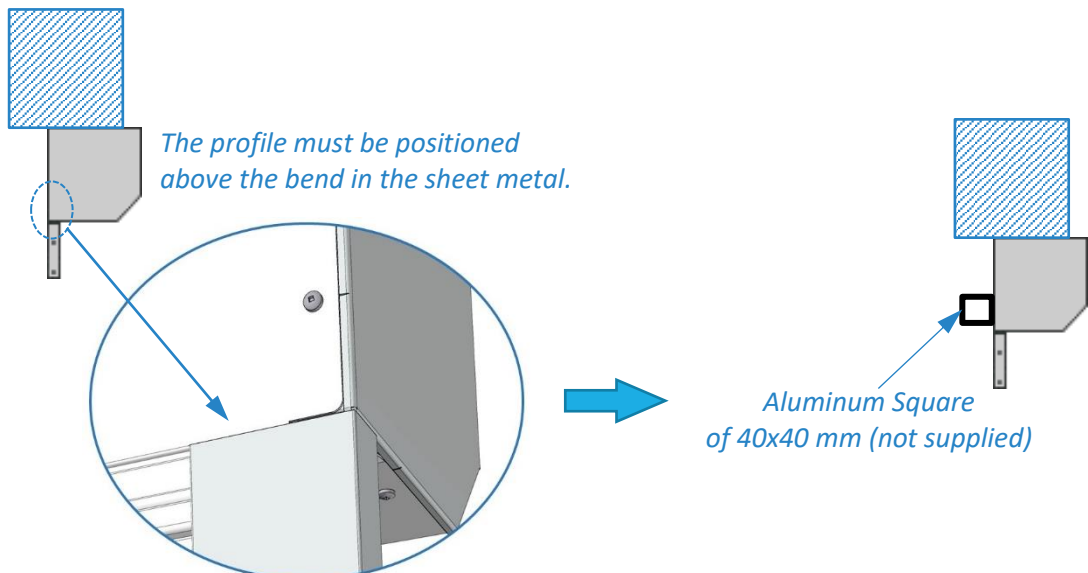


Securely fasten the housing to the wall, as it will support the weight of the shutter.



In the case of installation under the overhead or wall-mounted installation with an overhead height < 250 mm, a profile (not supplied) must be fitted along its entire length to fix and stiffen the rear sheet of the housing to ensure correct locking of the shutter.

Sample profile :



Connecting the operator



**Do not connect the operator until the product is mounted on the wall.
Risk of blockage of the anti-fall guard, in horizontal position.**

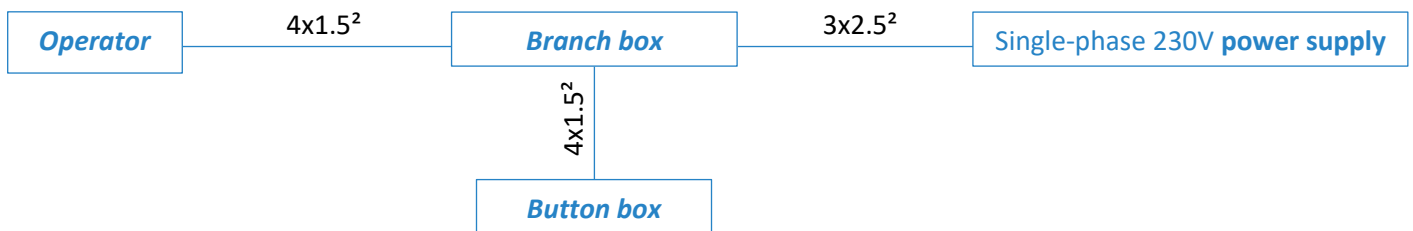


Fixed controls must be installed in view of the door but away from the moving parts and at a height of at least 1.5 m above the ground.

Each operator must be controlled independently. It is prohibited to connect several operators to a single monopolar switch at the same time.

In continuous contact operation, only the control requiring sustained action should be installed and/or used.

CABLES NEEDED



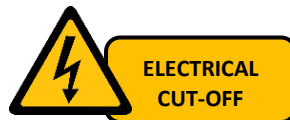
Ensure the power line is protected using an upstream differential circuit-breaker.

Ensure that in close proximity to the operator, there is :

- A thermal protection device for the operator.
- A power cut-off system, which is accessible to the user.

Principle

1. Turn off the power



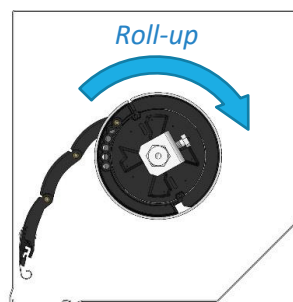
2. Connect the 4 operator wires => see sections :

- Button box
- 2-button box
- Key switch box
- Button box with key switch box

3. Turn the power back on.



4. Check the direction of rotation of the operator.

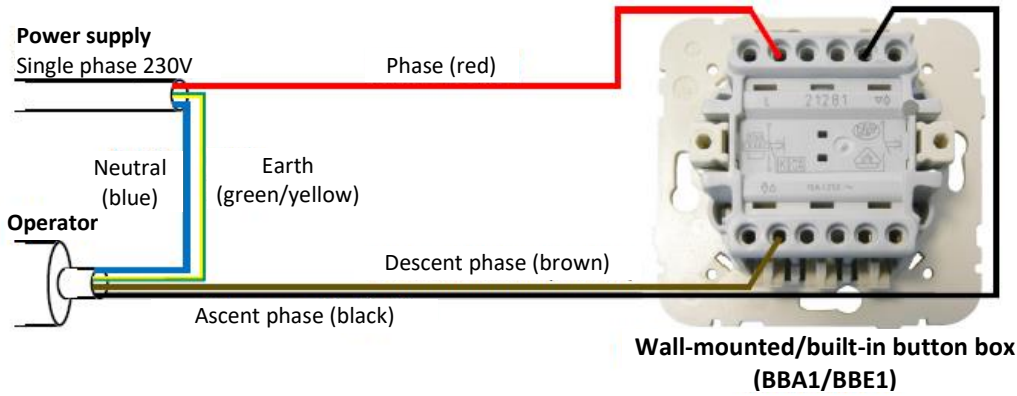


Ascent

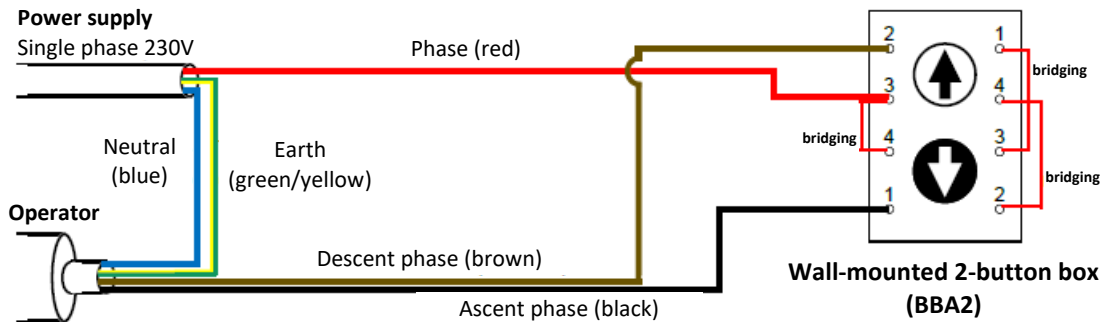


To reverse the direction of the operator, switch round the BROWN and BLACK wires of the operator.

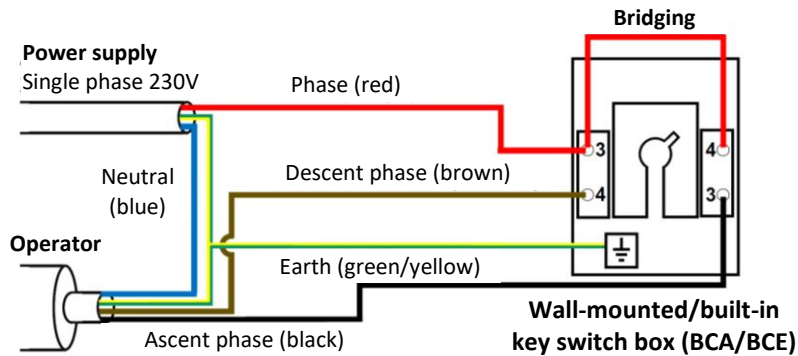
Button box



2-button box



Key switch box



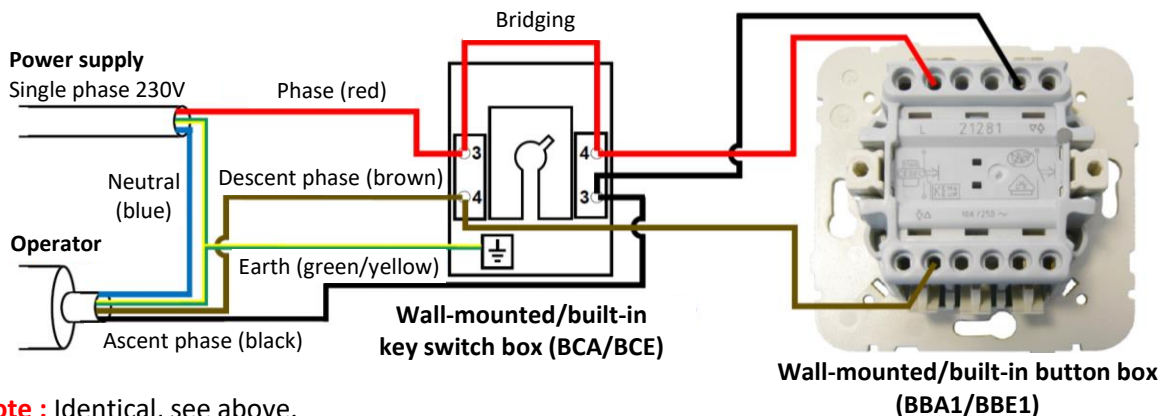
Please note : To install the key switch box cover, the cylinder lug must be positioned opposite the top corner of the box.

IMPORTANT:

The earth wire must be connected to the metal body of the key switch box using a clamp screw.

Ensure the box is well sealed in relation to the wall support using a flexible sealant.

Button box with key switch box



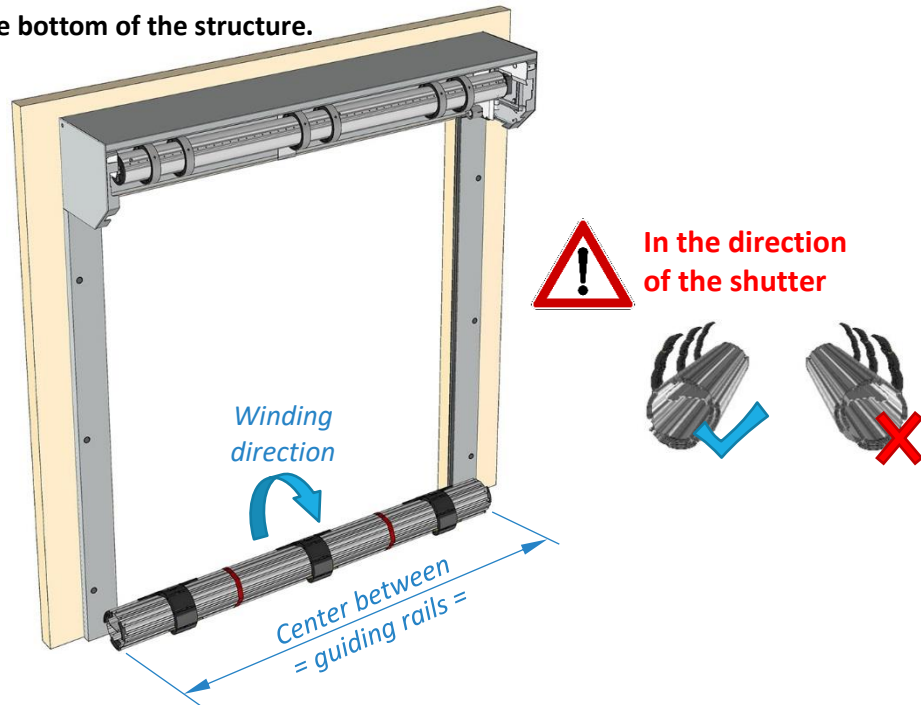
Please note : Identical, see above.

IMPORTANT : Identical, see above.

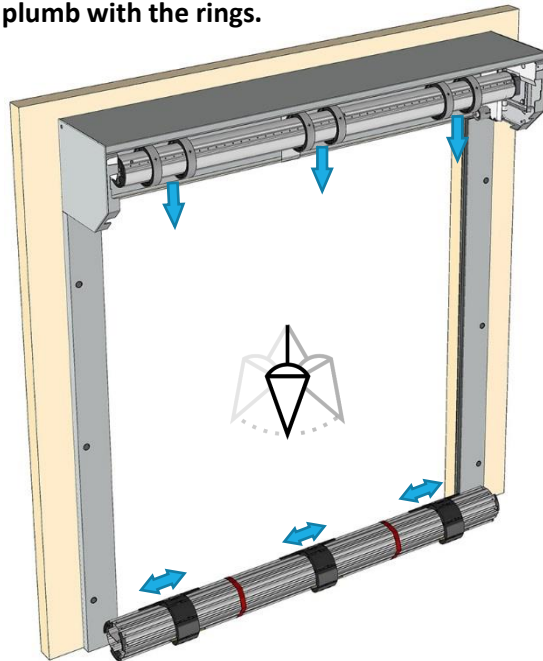
Shutter

Attaching the shutter

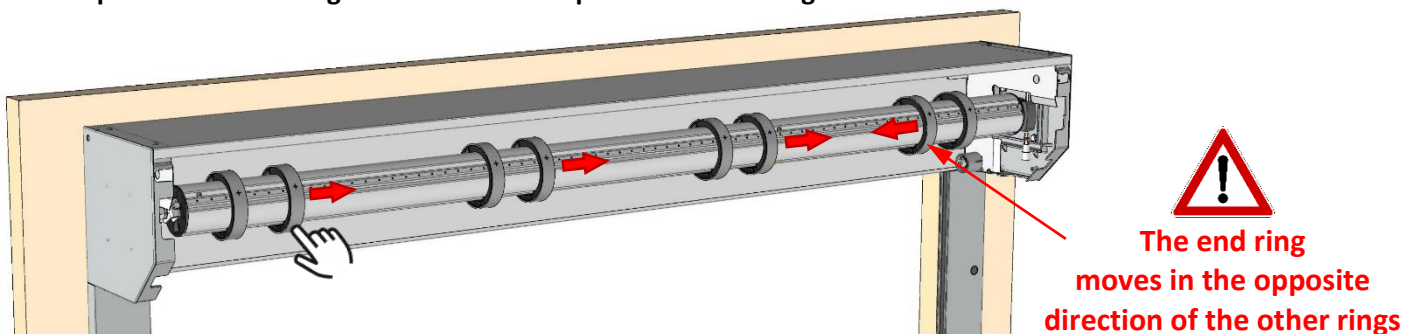
1. Put the shutter at the bottom of the structure.



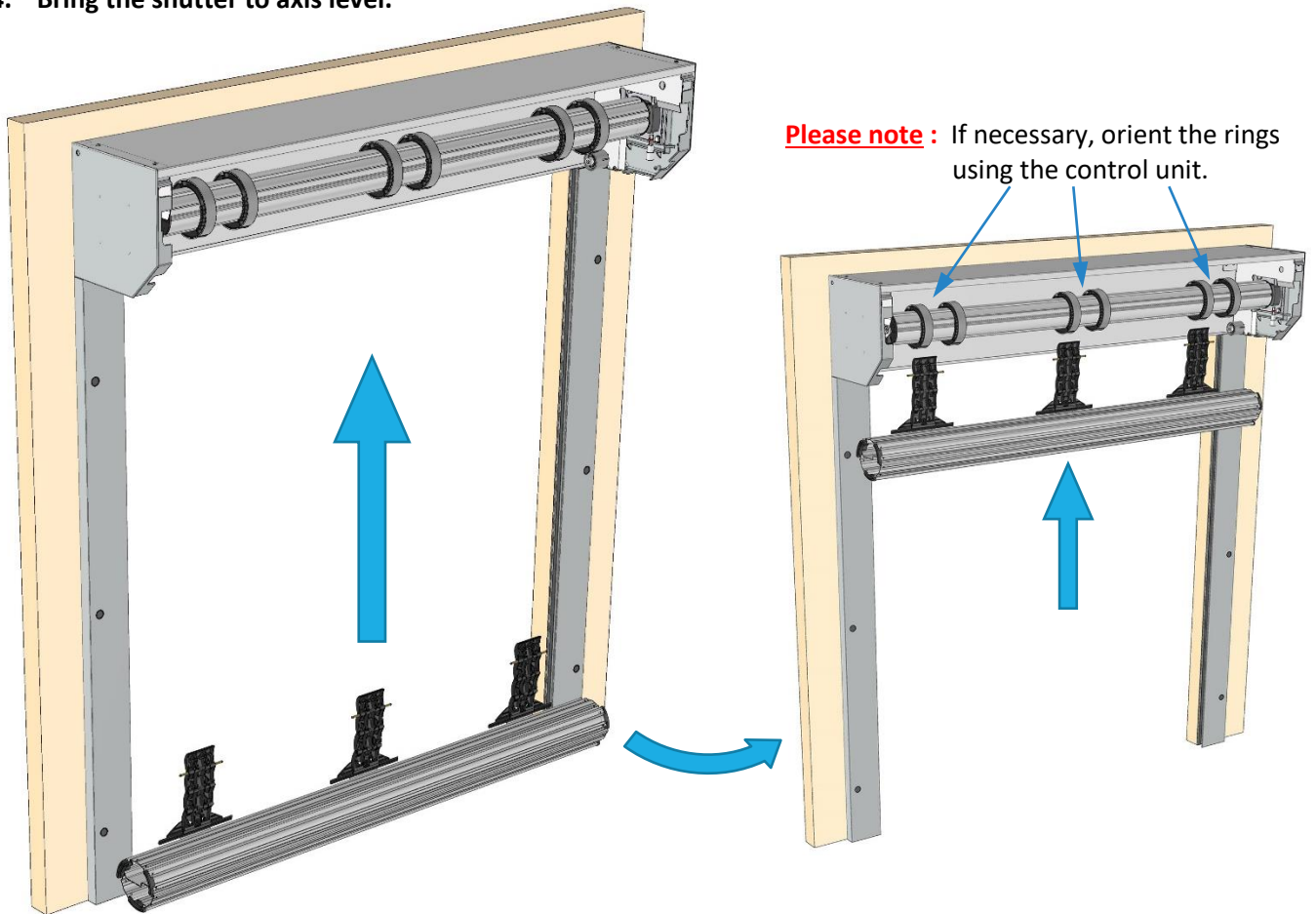
2. Position the DVAs plumb with the rings.



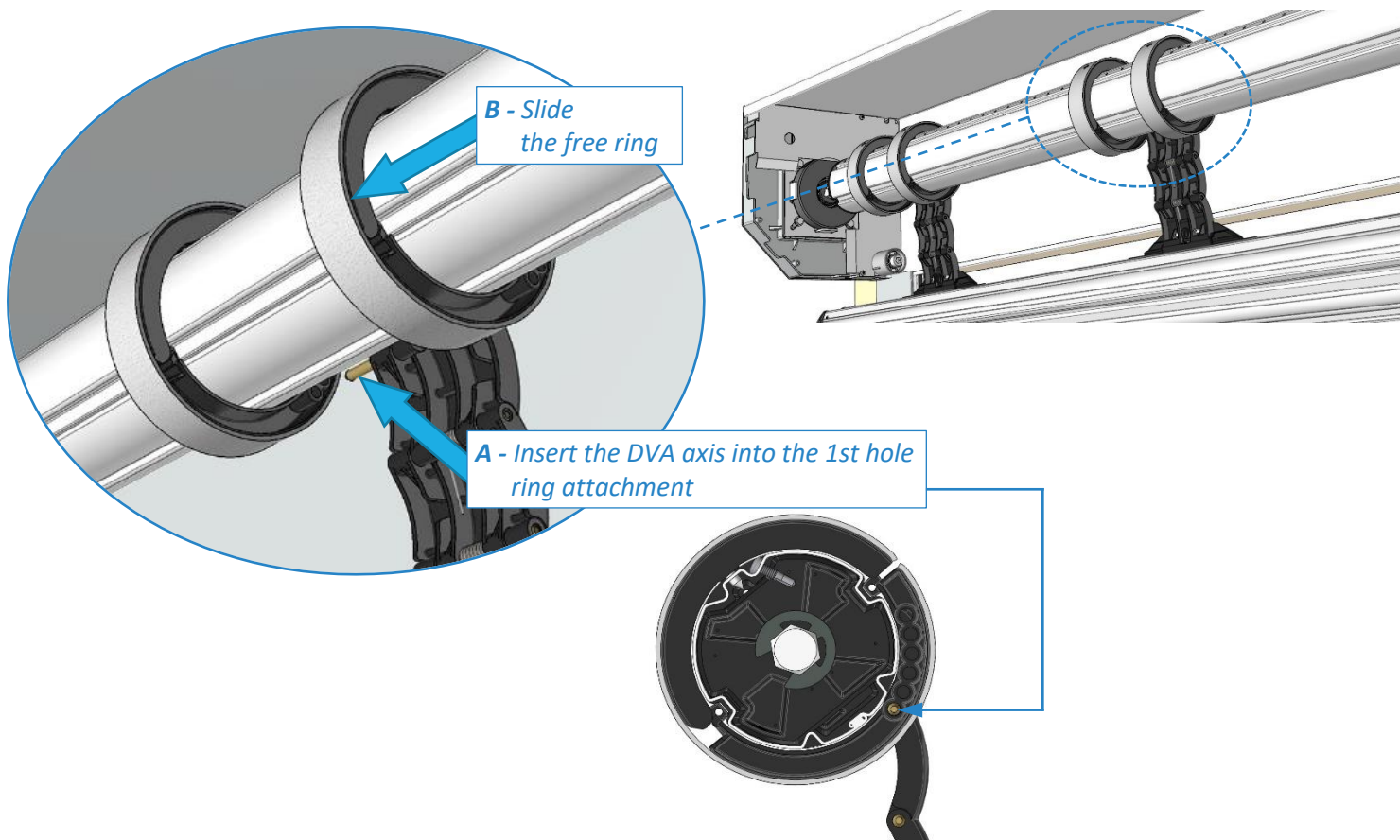
3. Spread the loose rings about six inches apart on the winding axis.



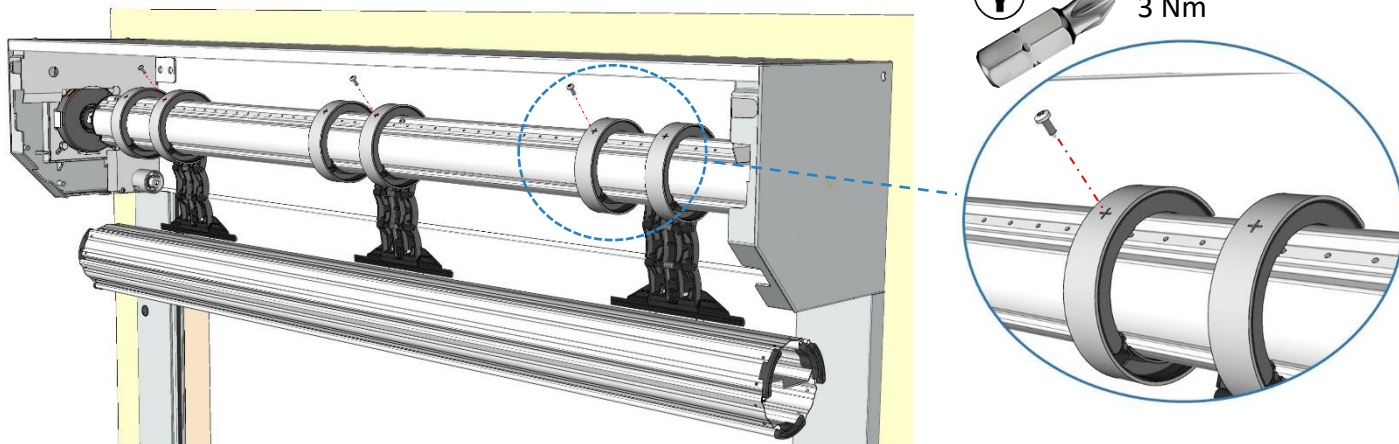
4. Bring the shutter to axis level.



5. Hook the DVAs, while holding the shutter against the axis.



6. Fix the loose rings.



The screws are supplied in the accessories pack (TBCL Ø4.2x13 Phillips head tapping screws).



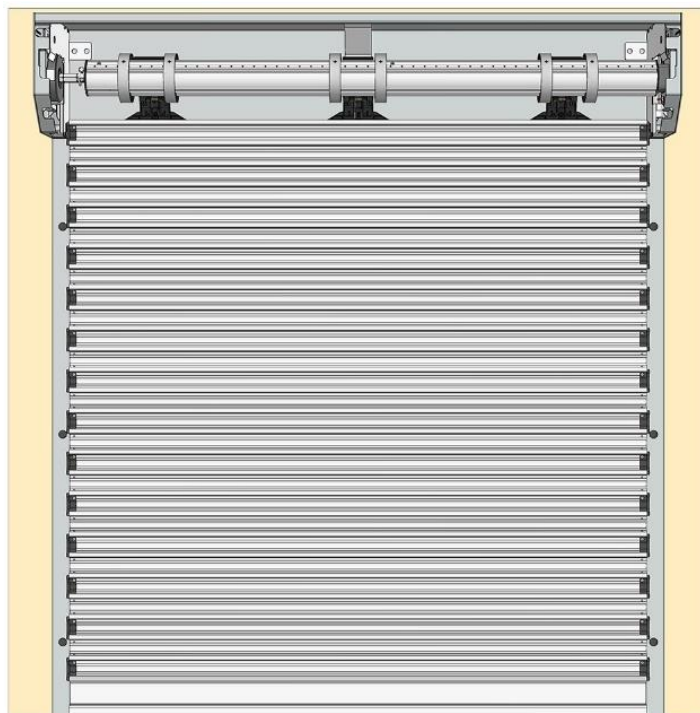
Do not use other screws "Risk of drilling the operator".

7. Unroll the shutter outside of the guiding rails, guiding it by hand.



Check noise reduction clips and rivets

If required, 2 clips are supplied in the accessories pack.



8. Roll up the shutter with the operator by operating the button box, guiding it manually.



Ascent

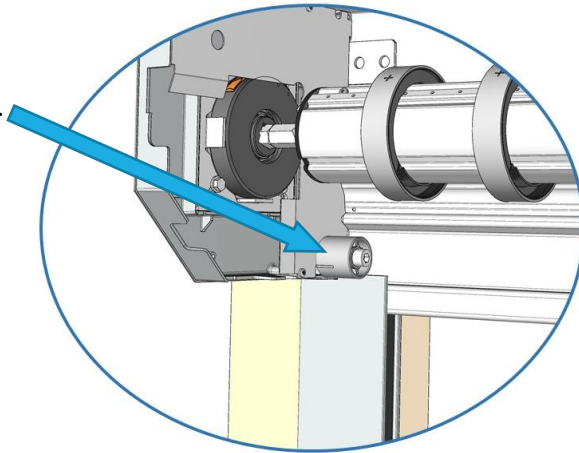
Guiding rail shutter passage

1. Insert the end-slat into the guiding rails.

Please note : If necessary, remove the rollers.



Screw the front rollers back on to lower the shutter.



2. Unwind the shutter.



Descent

Please note : If the low limit switch is reached before locking the shutter ;
See chapter : [Setting the limit-switches.](#)



Setting the limit-switches



Hexagon head screwdriver

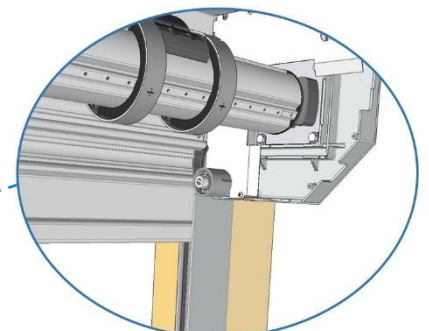
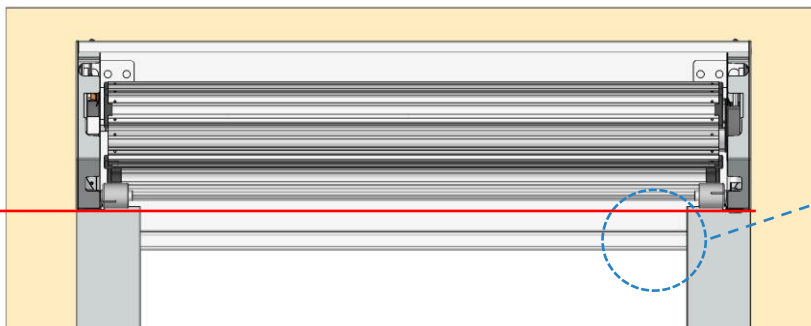


Limit switch settings must be made only with this supplied screwdriver.

1. **Top limit switch :**

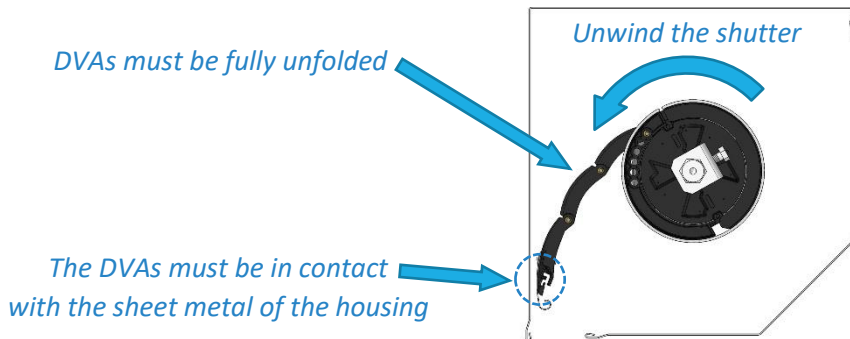
- Turn the operator in the "**upward direction**" by actuating the control unit.
- Adjust the position of the shutter by turning the upper limit switch adjusting screw :
+ **increases stroke** (higher)
- **reduces stroke** (lower)
- The upper limit switch is correctly set when the end slat protrudes 60 mm from the housing.

Position of the housing



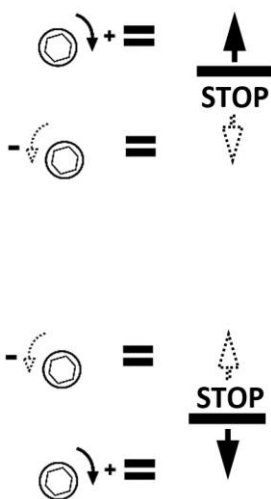
2. Bottom limit-switch :

- Turn the operator in "**down direction**" by actuating the control unit.
- Adjust the position of the shutter by turning the low limit switch adjusting screw :
 - + **increases stroke** (lower)
 - **reduces stroke** (lower)
- Lower the shutter, checking the thrust of the DVA (without excess) on the sheet metal of the housing.



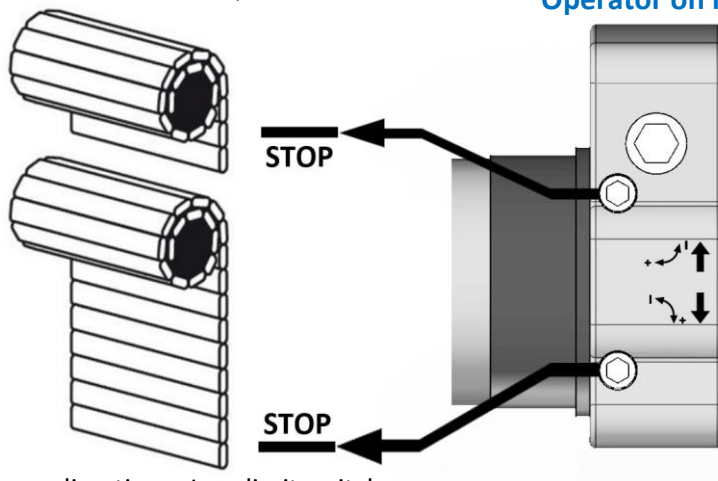
IMPORTANT Information

Motorization 50 Nm = 2 white adjusting screws 



Upward direction = Top limit switch

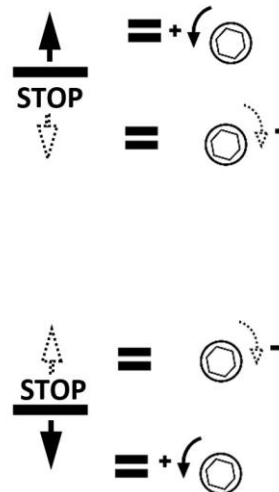
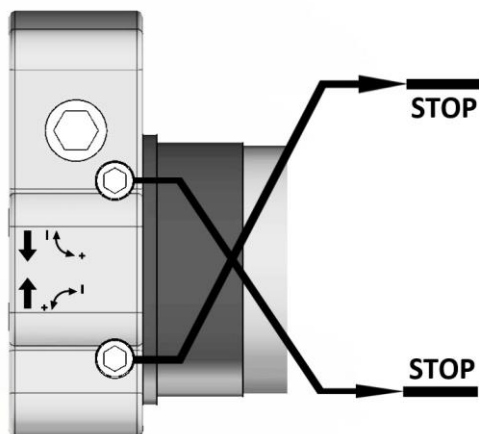
Operator on right



Down direction = Low limit switch

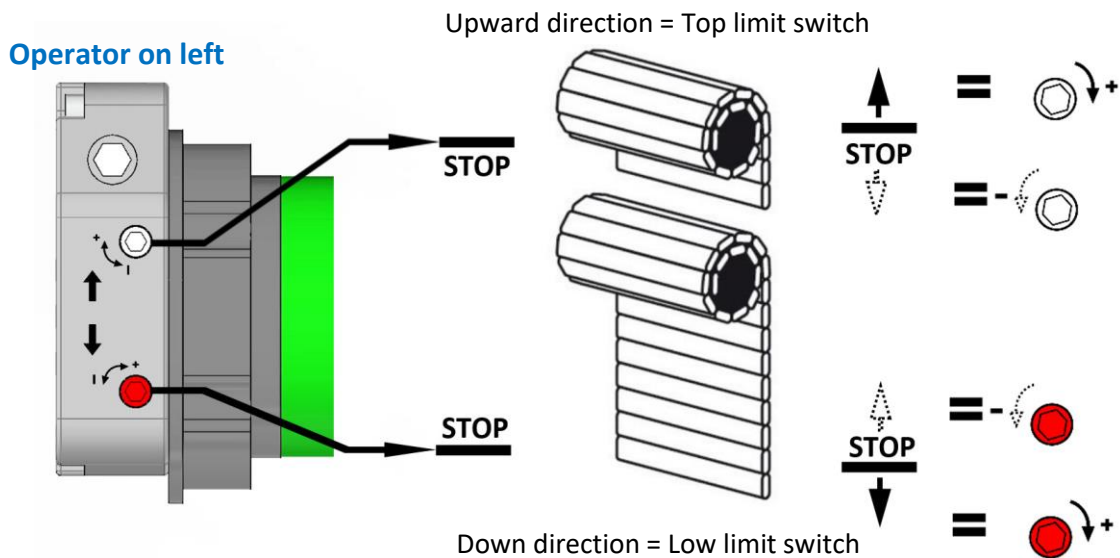
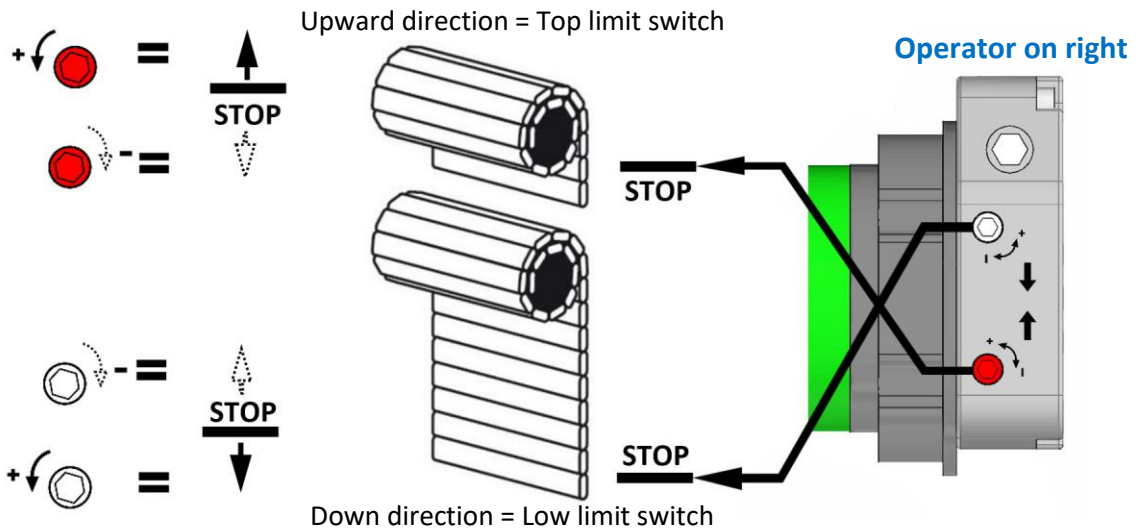
Operator on left

Upward direction = Top limit switch






Down direction = Low limit switch

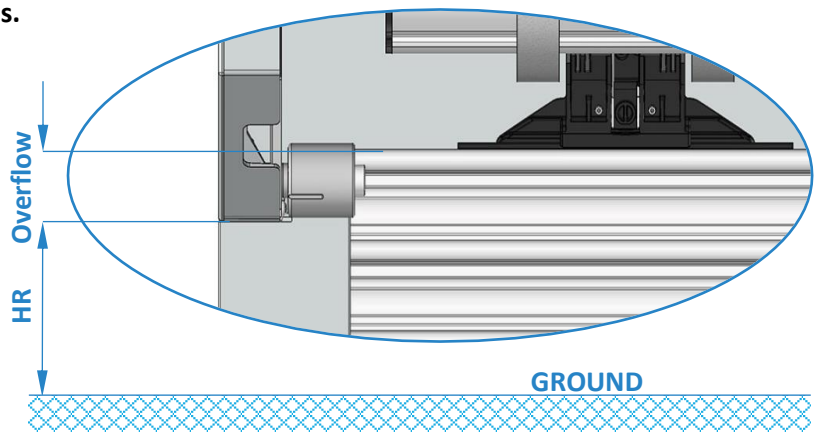
Motorization 100 Nm = 1 red  adjusting screw + 1 white adjusting screw 



Shutter check

1. Close the shutter
2. Check shutter overflow from guiding rails.
Min. overflow = 20 mm
Maximum overflow = 1 slat
3. In the event of an overflow out of bounds, go back to the previous step
“Setting the limit-switches”
4. Raise the inspection hatch, using the four self-drilling screws
TBC Ø4.2x16.   

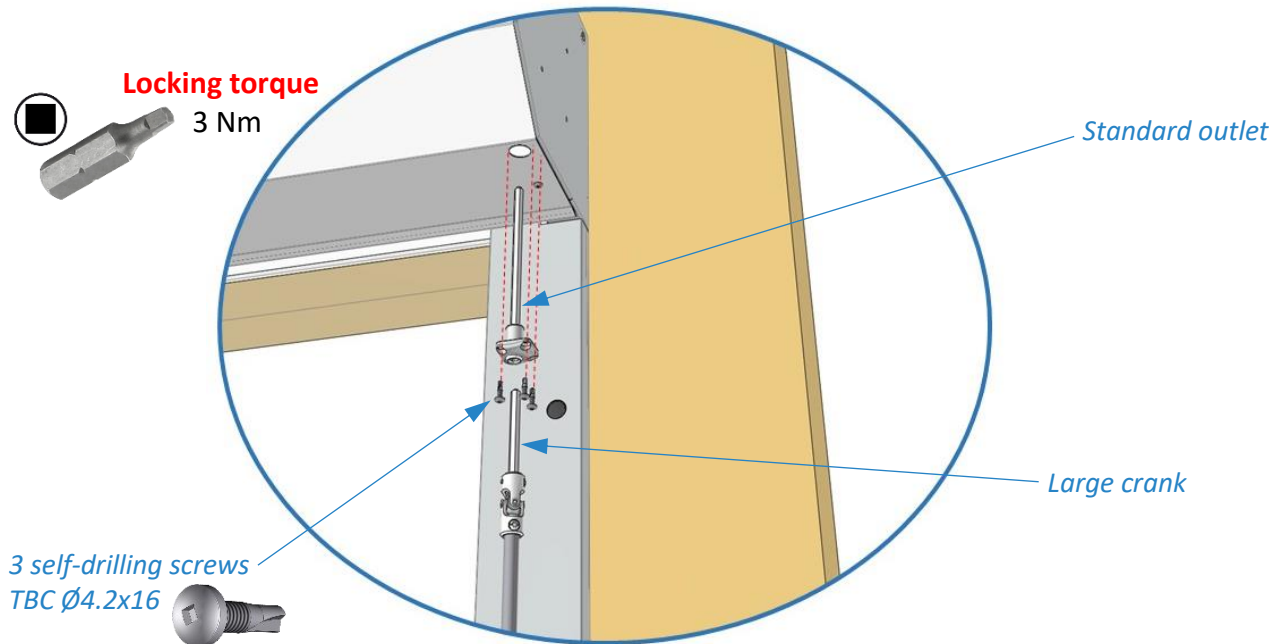
Locking torque : 3 Nm



Assembly of the emergency maneuver

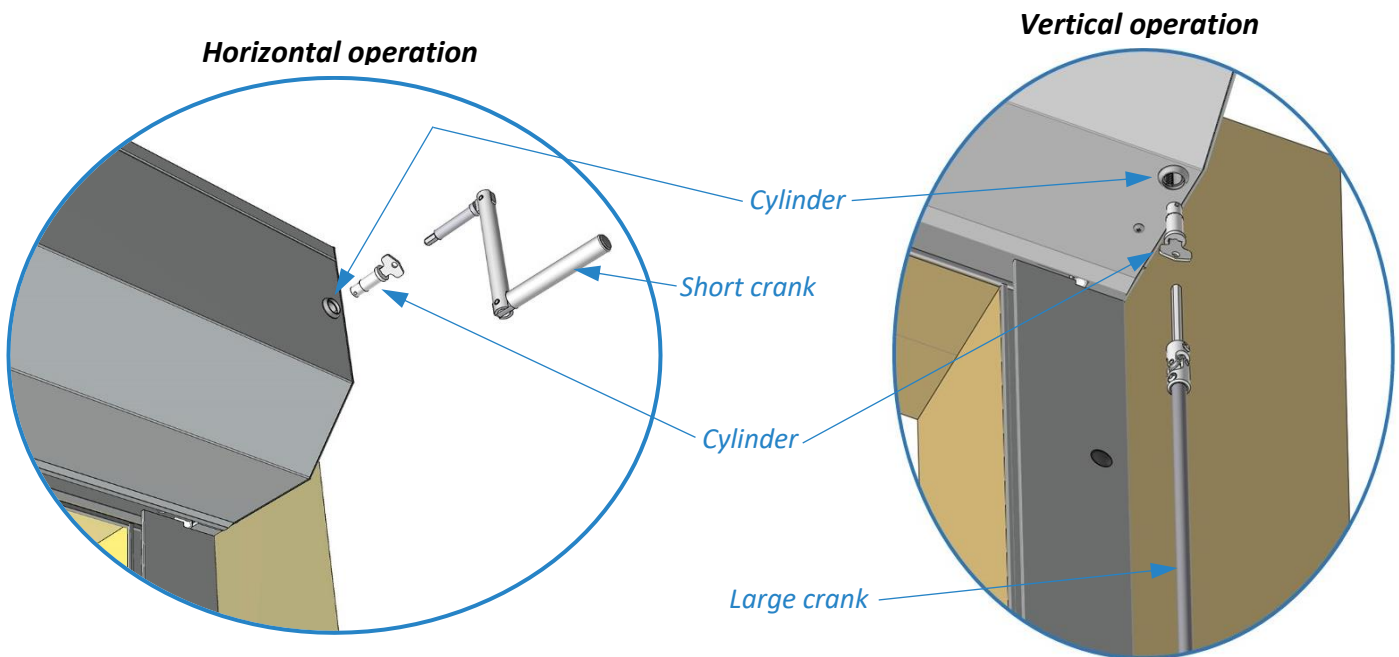
Standard Vertical Maneuvering

Inside rolling - Standard Vertical Outlet (example : Operator on the right)



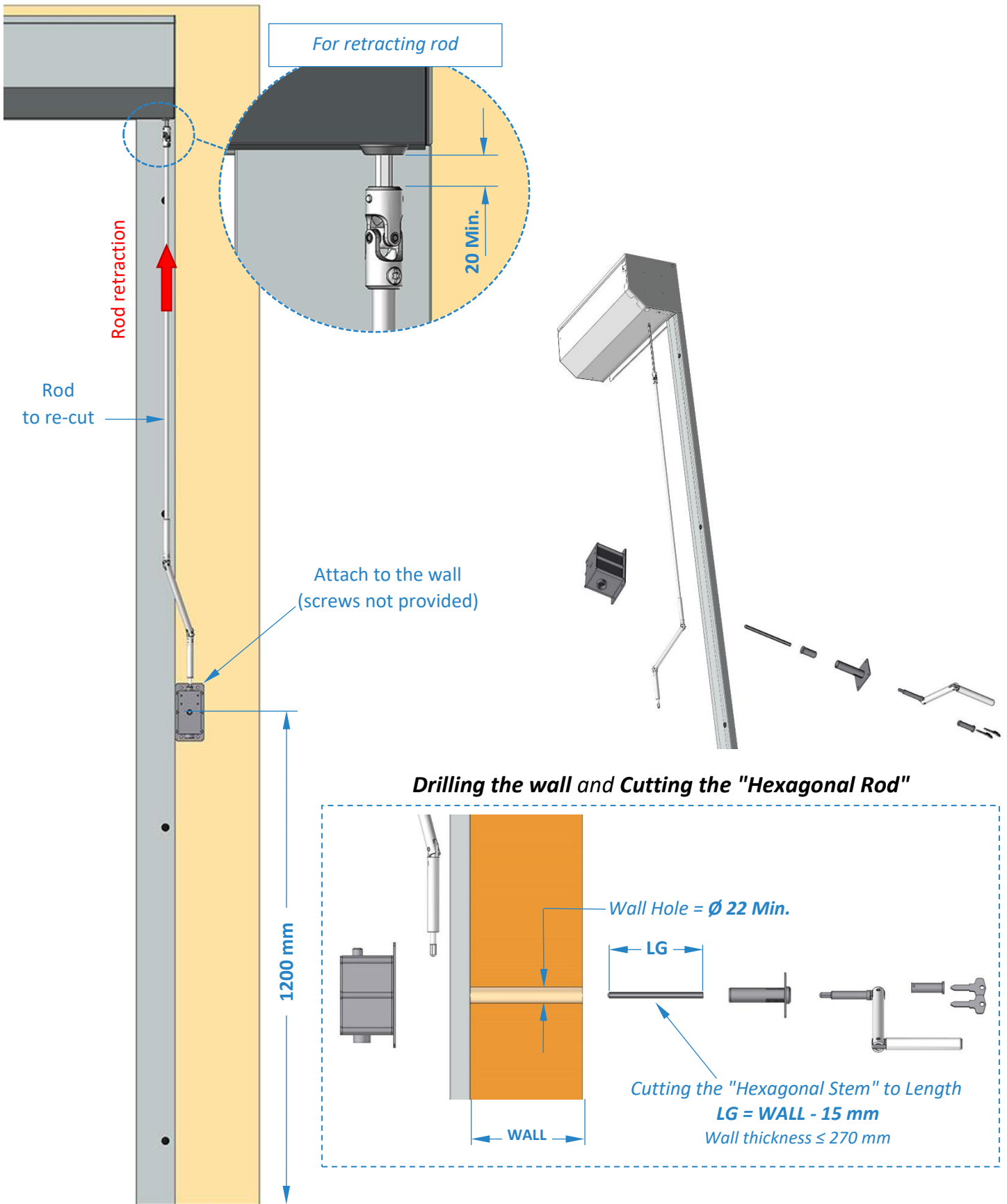
Secure maneuver : OPTION

Winding inside or outside (example : Operator on the right)



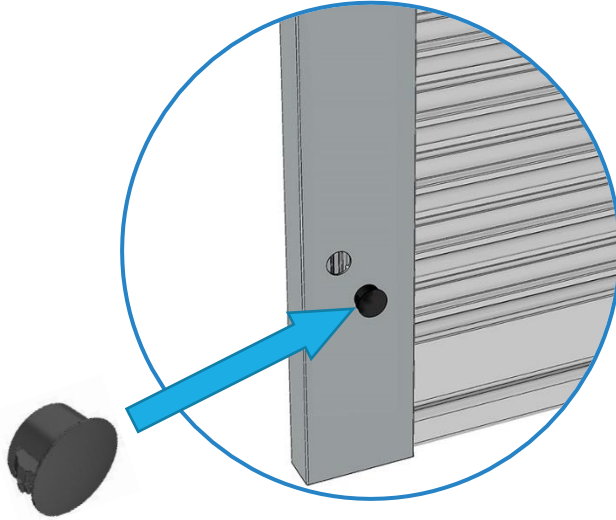
Corner drive maneuver : OPTION

Winding inside - Vertical outlet (example : Right-hand operator)



Finishes

1. Insert the plugs on the guiding rails (wall-mounted version only).



Use of the emergency maneuver

