

# Manual No. 7033

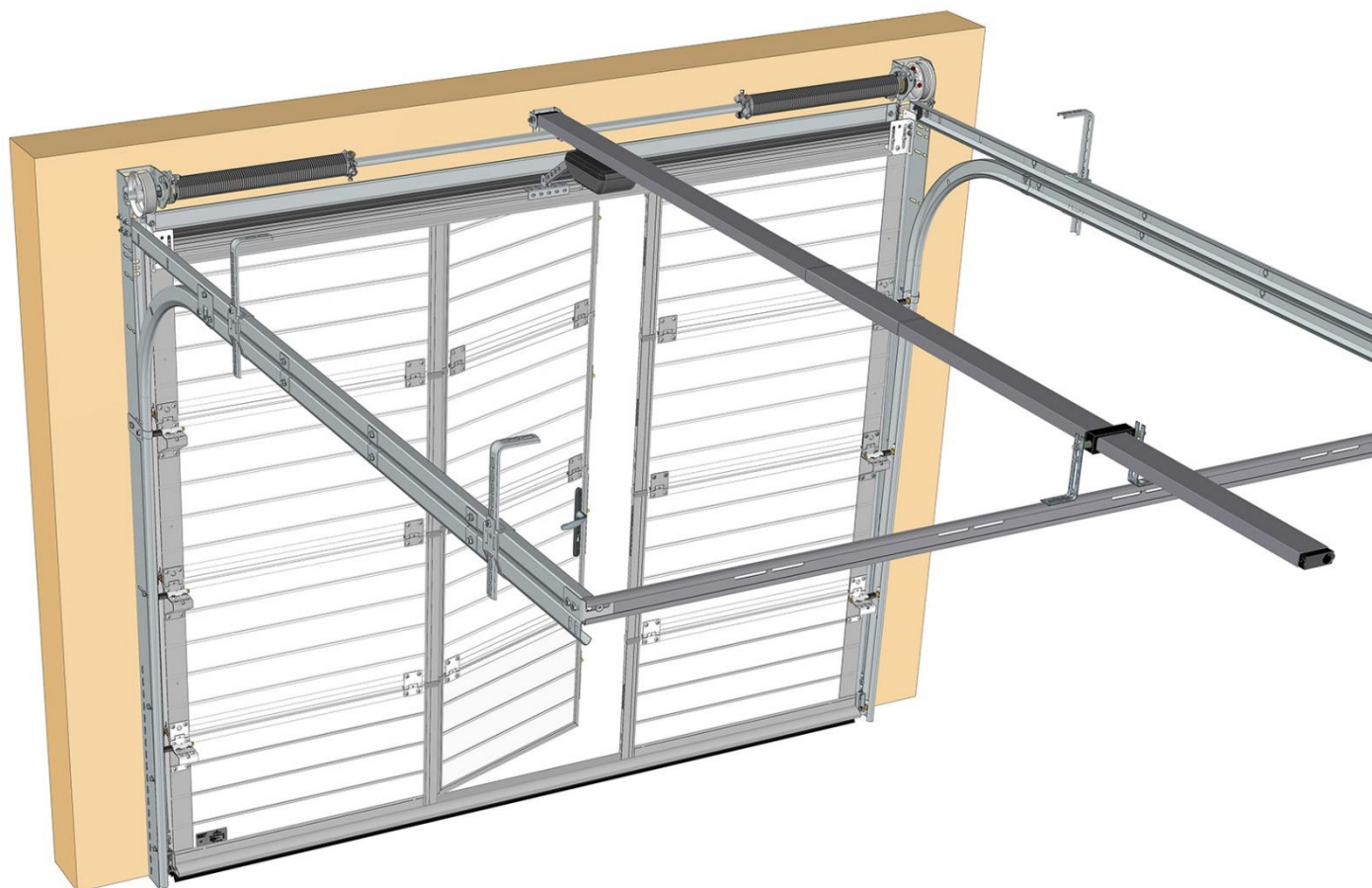
02/23

## INSTALLATION

### Residential garage doors Manual or Motorised



**RT200 with Wicket Door**  
with reduced 30 mm  
or standard 60 mm threshold



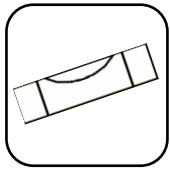
(Document reserved for installers)

# Contents

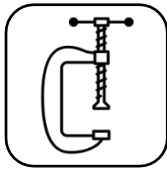
Before installation .....	3
Required equipment .....	3
Installation instruction.....	4
Kit contents for each door configuration/option .....	5
Kits for MOTORISED and MANUAL doors.....	5
Kits for MOTORISED doors .....	6
Kits for MANUAL doors .....	6
Wicket door parts.....	7
Vertical rail installation.....	8
Checking the bay .....	8
Assembling the vertical joints .....	8
Assembling the fascia seal.....	9
Assembling the fascia.....	9
Fixing the fascia to the floor.....	9
Assembling the spring assembly on the floor .....	10
Layout of the frame.....	11
Fixing the vertical rails.....	11
Horizontal rail installation .....	12
Assembling the curves .....	12
Fixing the horizontal rails .....	13
Assembling the back bar brackets.....	15
Installing the back bar .....	15
Installing the hangers.....	16
Back bar extension (option) .....	16
Checking the diagonals.....	17
Installing the spring mounting bracket ("operator support" in "motorised door" version).....	18
Panel preparation .....	18
Identifying the opening direction.....	18
Grease all roller shafts.....	18
Bottom panel .....	19
Intermediate panel(s).....	19
Shutter assembly .....	21
Bottom panel installation illustrated with standard 60 mm threshold.....	21
See specific information for reduced 30 mm threshold .....	21
Installing the intermediate panel(s) .....	26
Installing the top panel .....	29
Wicket door finalization.....	31
Adjusting the stop module .....	31
Remove the shim .....	31
Installing the door cable.....	32
Activating the lock.....	35
Box operation test.....	36
Tip test 2.....	37
Adjusting the door closure .....	37
Solution « if the lock is stuck » .....	38
Finishes : Plugs, split hinges and strike plates.....	39
Cable installation .....	40
Positioning the cable drums.....	40
Routing the cables around the cable drums .....	41
Checking the tension of the cables .....	42
Spring adjustments .....	43
Spring tension .....	43
Table for number of spring tension turns .....	43
Adjusting the rollers.....	44
Checking the balance .....	45
Finishes .....	45
Leveling the shutter .....	45
Adjusting and fixing the fascia .....	46
Fixing the upper roller supports.....	46
Fixing the end position clips (manual door) .....	46
Assembling the handle .....	47
Assembling the latch (optional on motorised doors).....	47
Installing the pull cord (if manual door).....	48
Weather seal (optional) .....	48
Greasing the bottom of the rails .....	48
Fixing the « SOMMER » operator to the back bar .....	49
Micro switch & contact radio .....	50
Connecting the safety micro switch to the TD operator (wiring).....	50
Installing the safety contact radio (wireless) on the top panel of the wicket door .....	51
Connection.....	52
Safety contact radio (wireless) with the TD operators (SOMMER).....	52
Safety contact radio (wireless) or switch (wired) with Pro+ (SOMMER) operators .....	52
Safety contact radio (wireless) with the Dexxo Smart io 800 operator (SOMFY) .....	53
Safety contact radio (wireless) with the Dexxo Optimo RTS operator (SOMFY).....	53

# Before installation

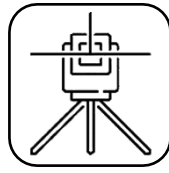
## Required equipment



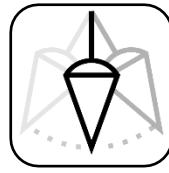
Spirit level



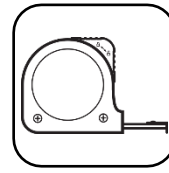
Clamp



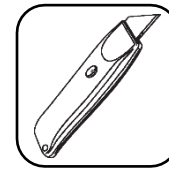
Laser level



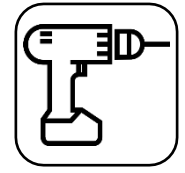
Plumb bob



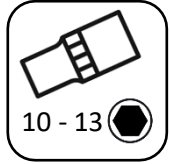
Tape measure



Utility knife



Electric screwdriver



10 - 13

Socket

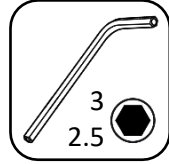


Cruciform bit



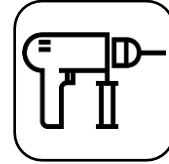
10 - 13

Flat wrench

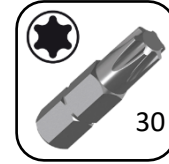


3  
2.5

Allen key



Perforator



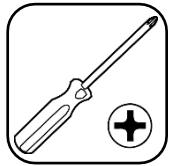
30

Torx bit



SQ2

Square end-piece



Phillips screwdriver



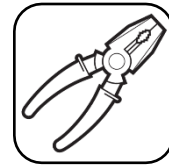
Flat screwdriver



Pencil



Grinder



Combination pliers



Cutting pliers



Locking pliers



Steel drill bit  
Ø2-4.2-4.5-10-13



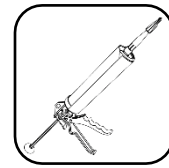
Hammer



Rivet gun



Hacksaw



Silicone sealant



Ladder



Brush



Pot of grease

# Installation instruction



## **CAUTION !**



To ensure that this product is assembled,  
used and maintained in complete safety,  
it is important to follow the instructions provided in this document.  
For everyone's safety, please adhere to the precautionary measures below.

- Before beginning assembly, read this manual carefully.
- This closure must be installed by a professional technician.
- All the parts delivered are specifically sized for this product.  
Adding and/or using other parts may be detrimental to safety and may affect the product's warranty.
- Any modification or improvement of this closure must be compliant with the standard BS EN 13241:2003+A2:2016.  
In this case, a "modification/transformation" file must be created by the installer as per the standard BS EN 12635:2002+A1:2008 annex C.
- Considerable force is exerted by the torsion springs ; carry out work in accordance with the safety instructions.  
Use the appropriate tools to install these products. Ensure that all work is carried out on a stable floor.
- Ensure that the assembly area is adequately lit, clear, clean and clearly marked out.
- Ensure that no other people are present at the assembly site apart from the installers.  
Non-authorized persons (children for example !) who are present at the site risk injury during assembly.
- All the components of this closure must be installed in compliance with the installation instructions provided in this manual.
- All the requirements of the standards BS EN 13241:2003+A2:2016 must be met and verified if necessary.

### **Max. tightening torque :**

- Assembly screws : **10 Nm**
- Shutter mounting screws : **12 Nm**

### **Min. working load per attachment point :**

- Compensating shaft : **300 daN**
- Rails : **40 daN**

# Kit contents for each door configuration/option

## Kits for MOTORISED and MANUAL doors



Kit supplied for reduced 30 mm threshold

For 60 mm threshold only

**Kits for MOTORISED doors**

**KIS-028**

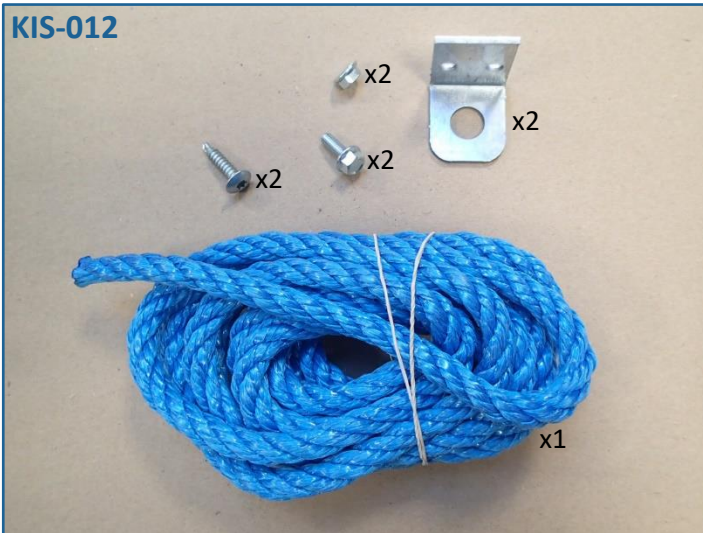


**KIS-828**



**Kits for MANUAL doors**

**KIS-012**



**KIS-828**

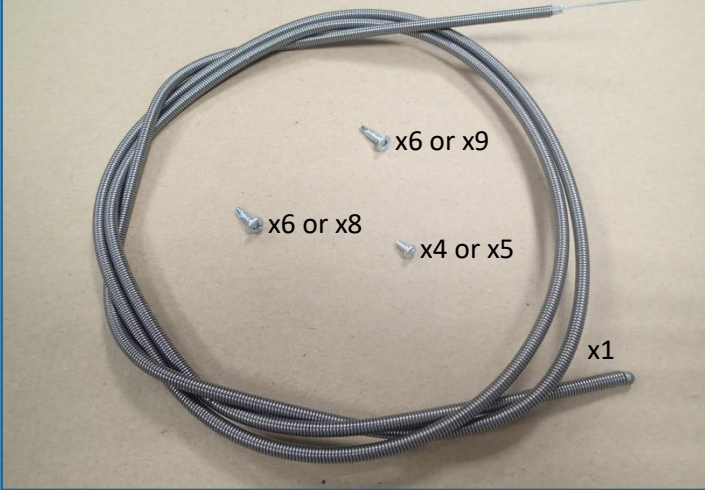


**KIS-017**

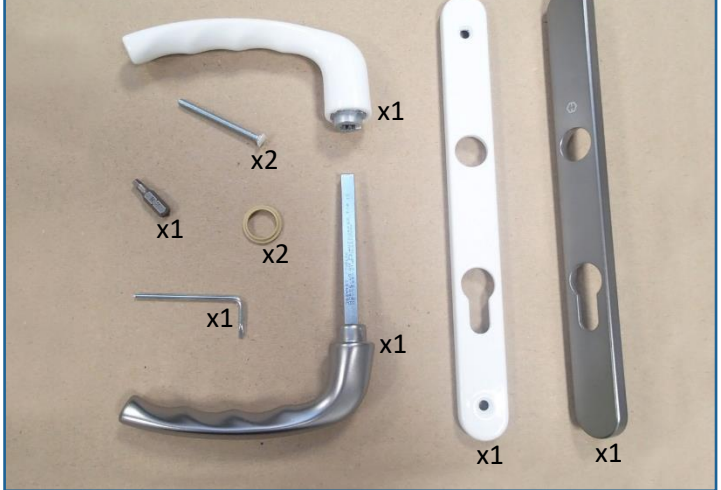


**Wicket door parts**

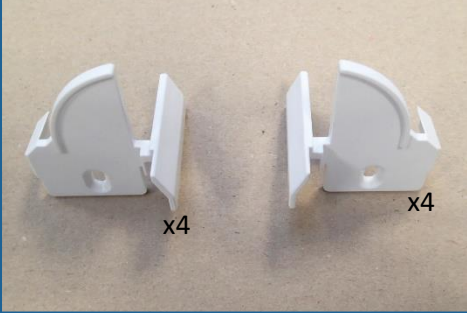
**KIS-725 or 730 or 732**



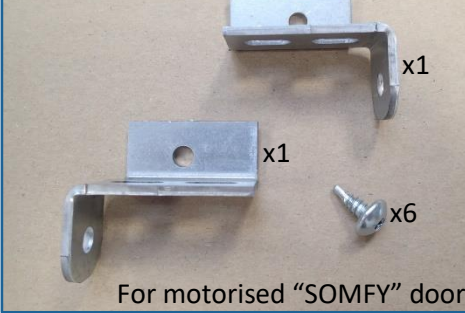
**KIS-741**



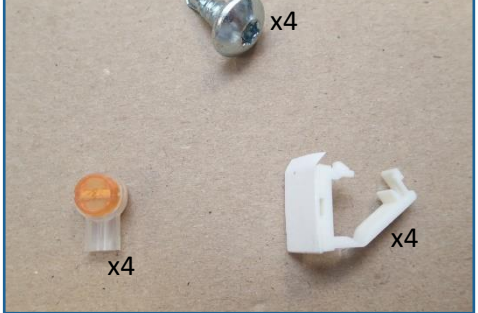
**KIS-750**



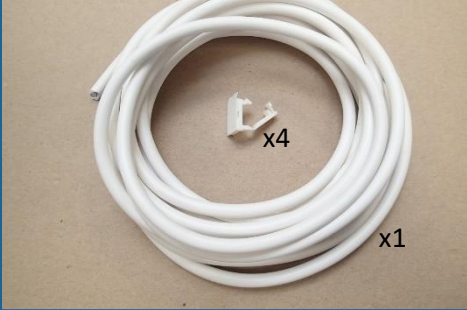
**KIS-845**



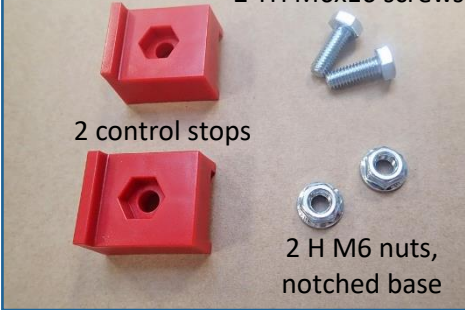
**KIS-910**



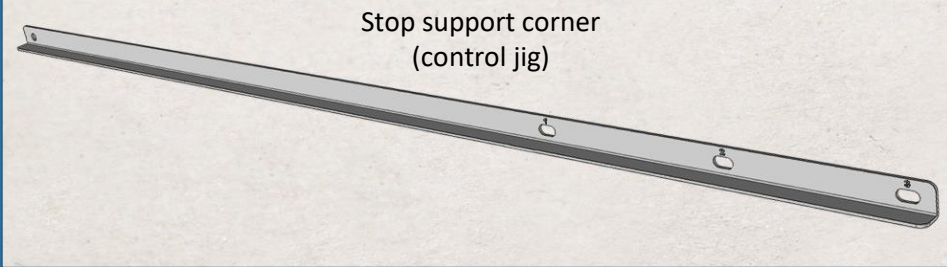
**KIS-915**



**KIS-760**

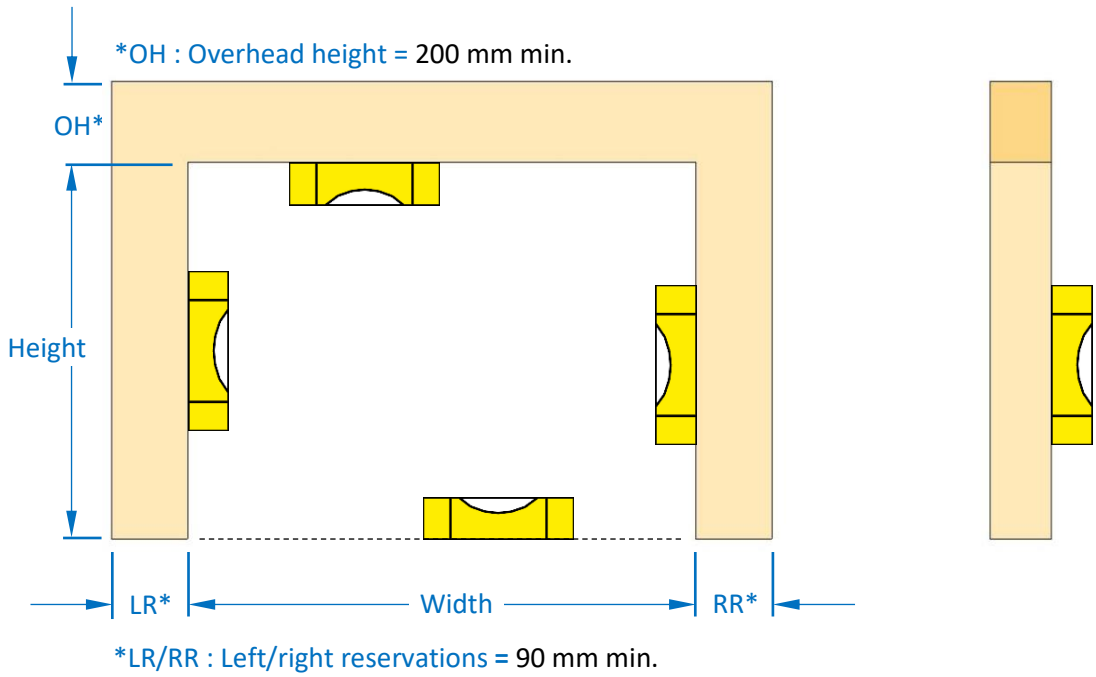
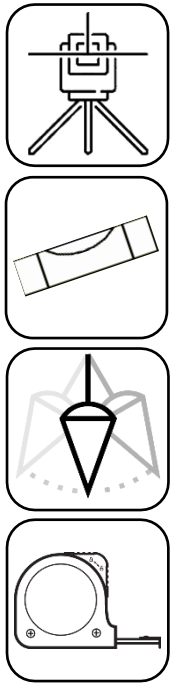


**EQU-031**

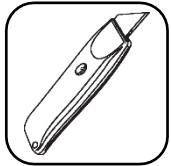


# Vertical rail installation

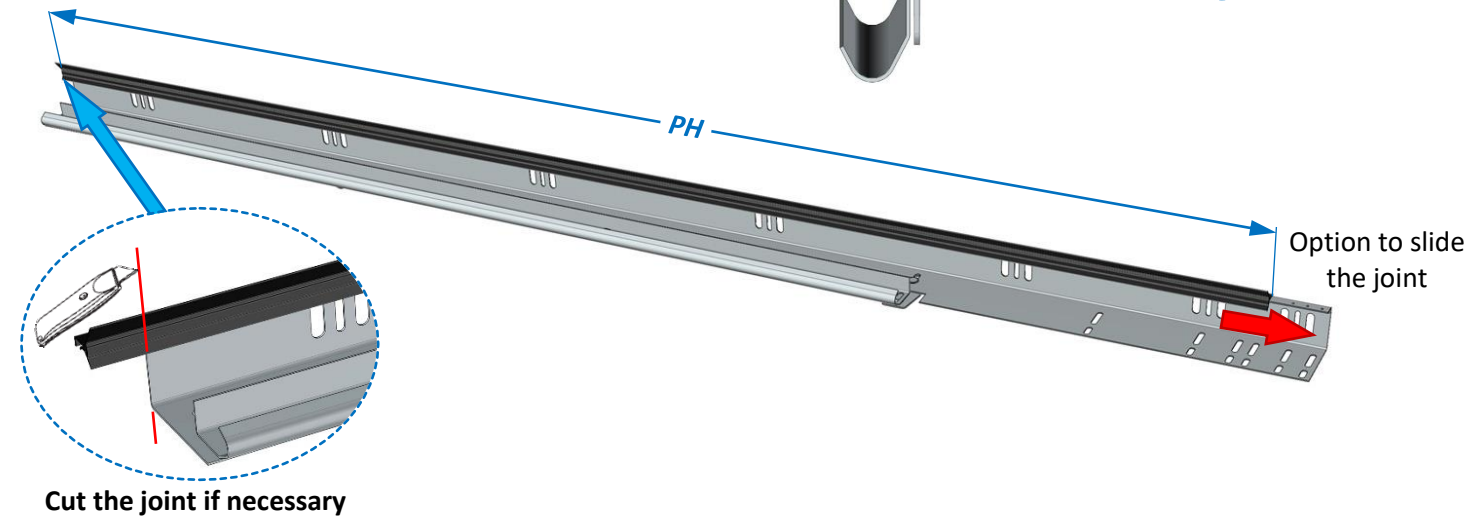
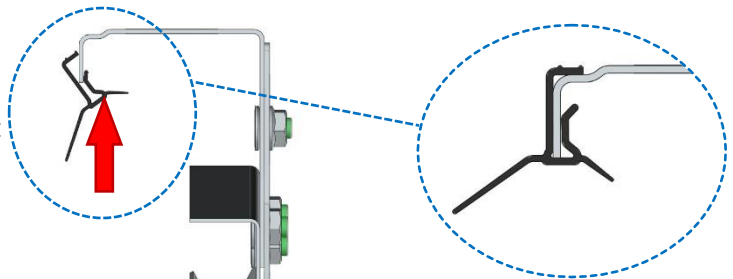
## Checking the bay



## Assembling the vertical joints

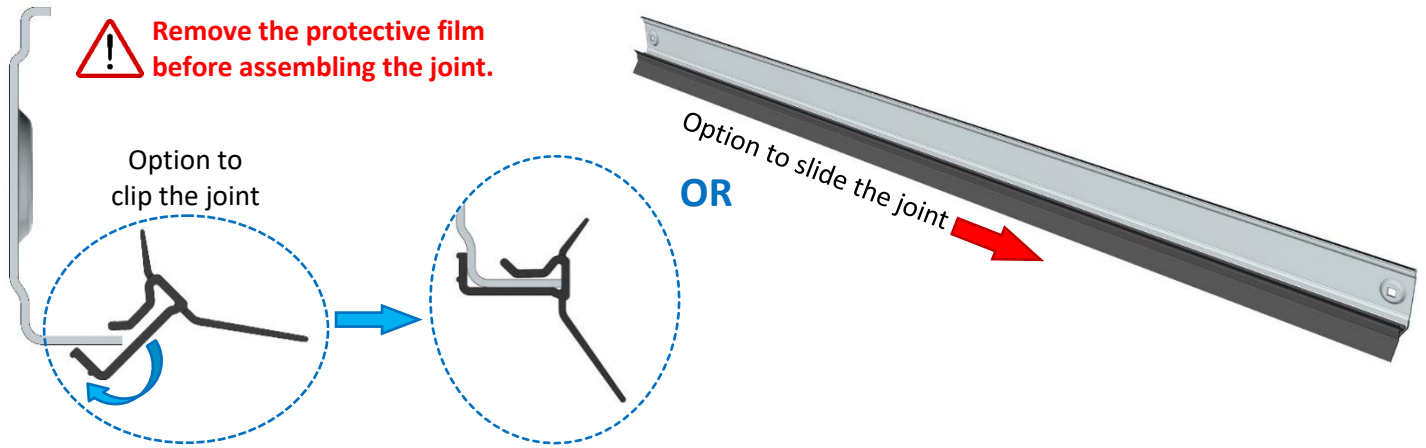


Option to clip the joint





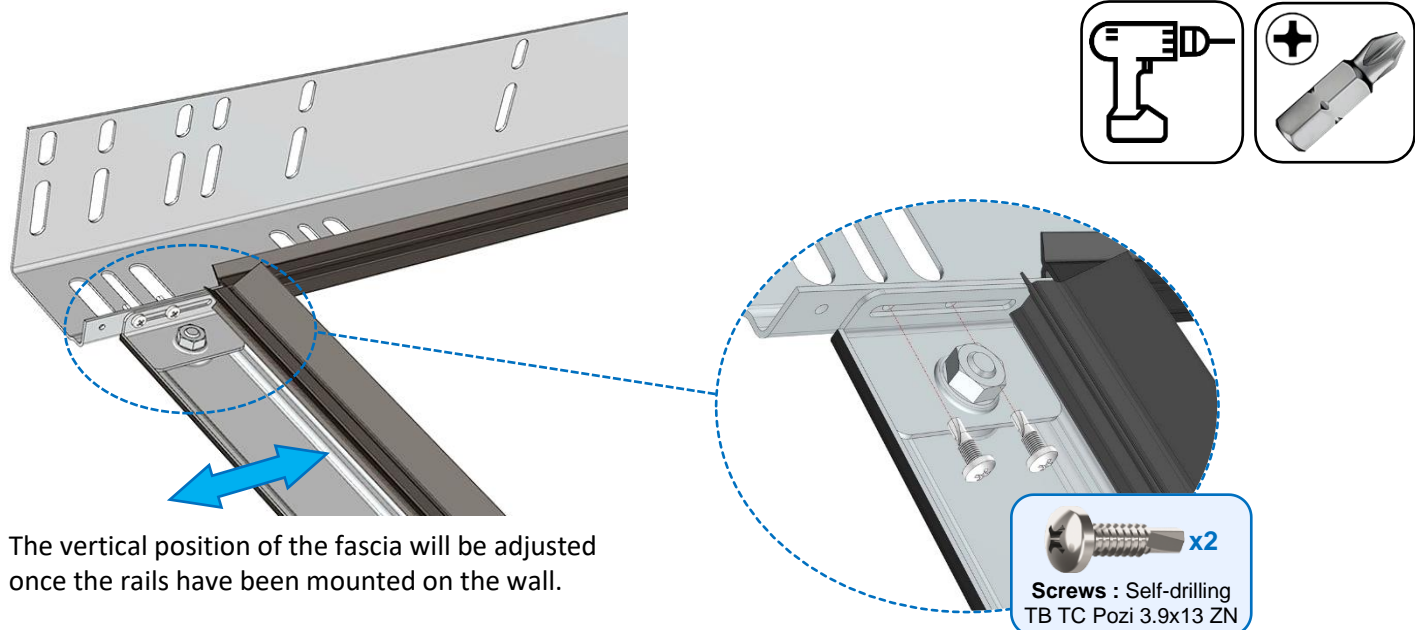
## Assembling the fascia seal



## Assembling the fascia

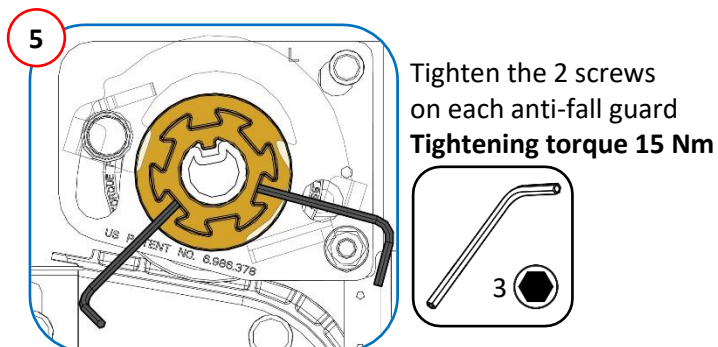
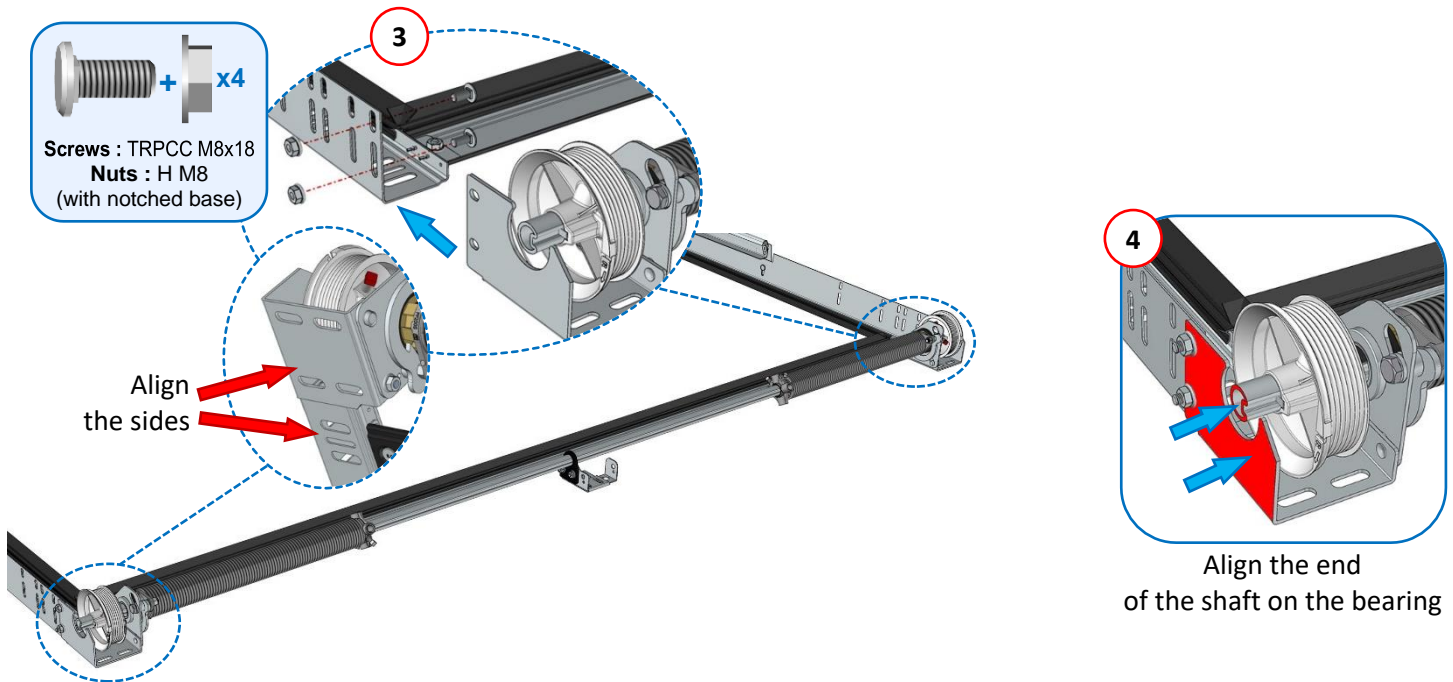
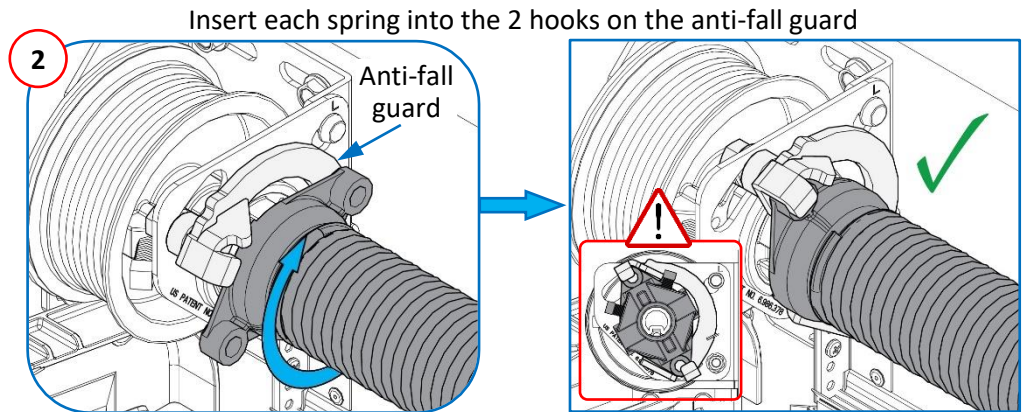
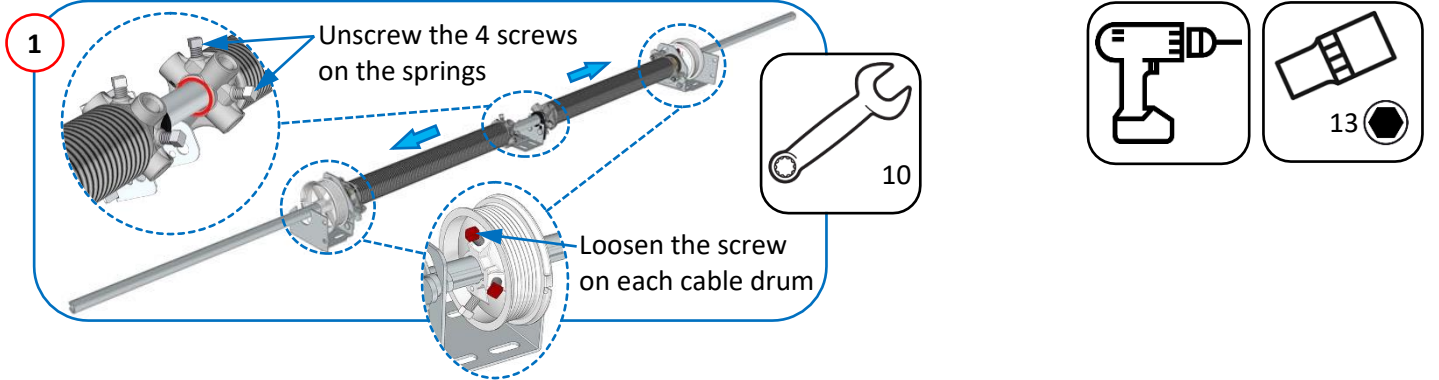


## Fixing the fascia to the floor

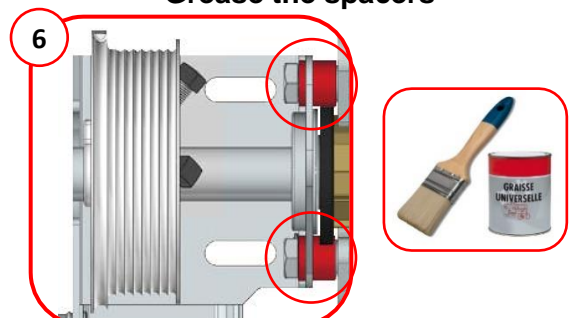


Repeat the process with the other vertical rail.

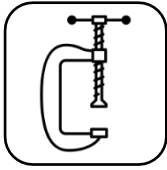
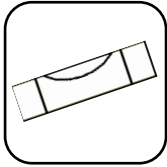
## Assembling the spring assembly on the floor



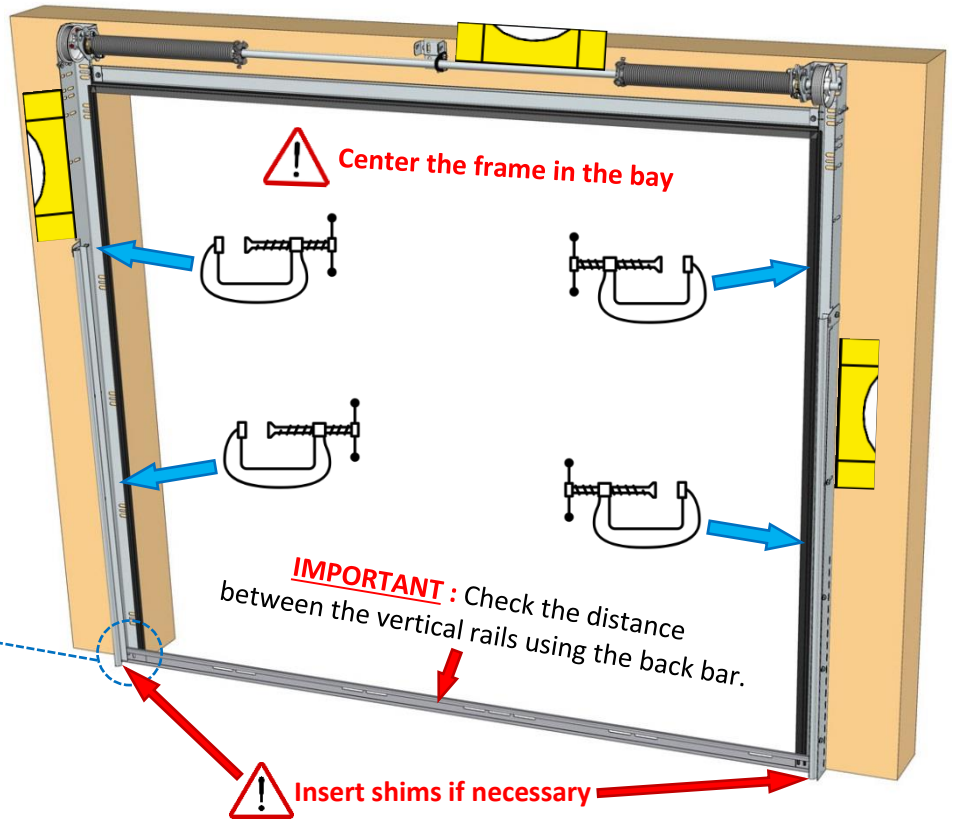
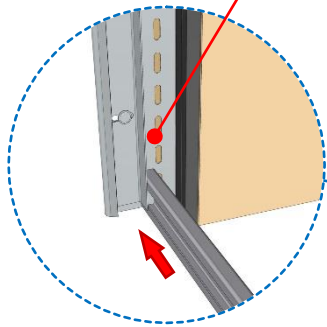
**IMPORTANT**  
Grease the spacers



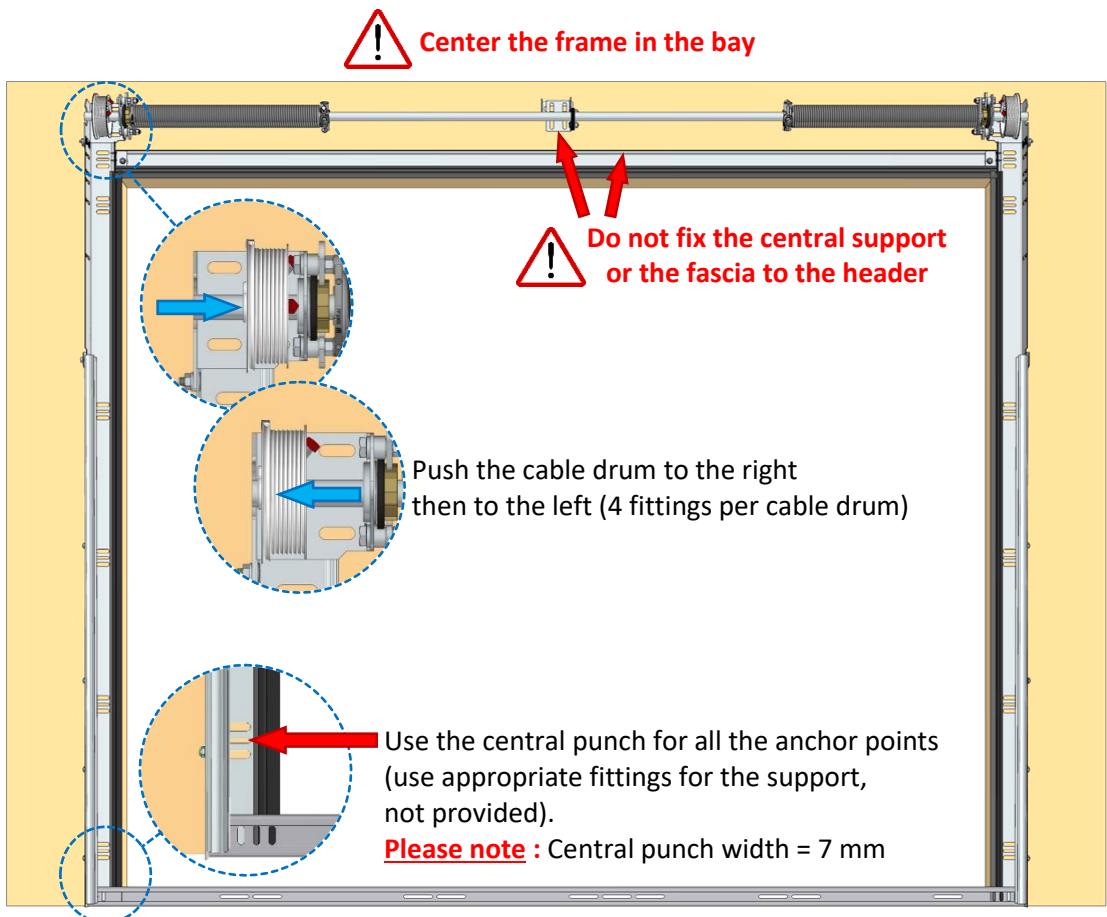
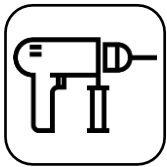
## Layout of the frame



The back bar must be in contact with the backstop



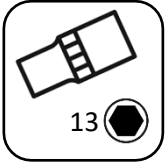
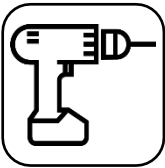
## Fixing the vertical rails



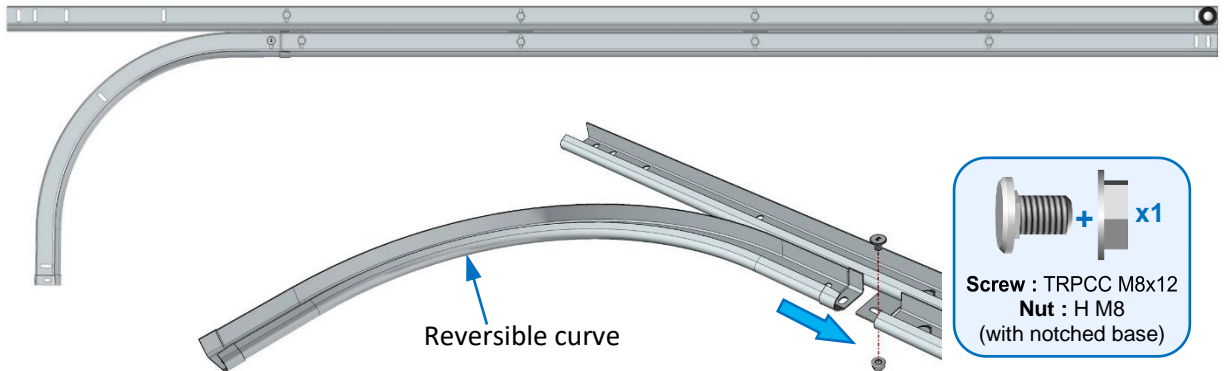
**Repeat the process on the opposite side.**

# Horizontal rail installation

## Assembling the curves

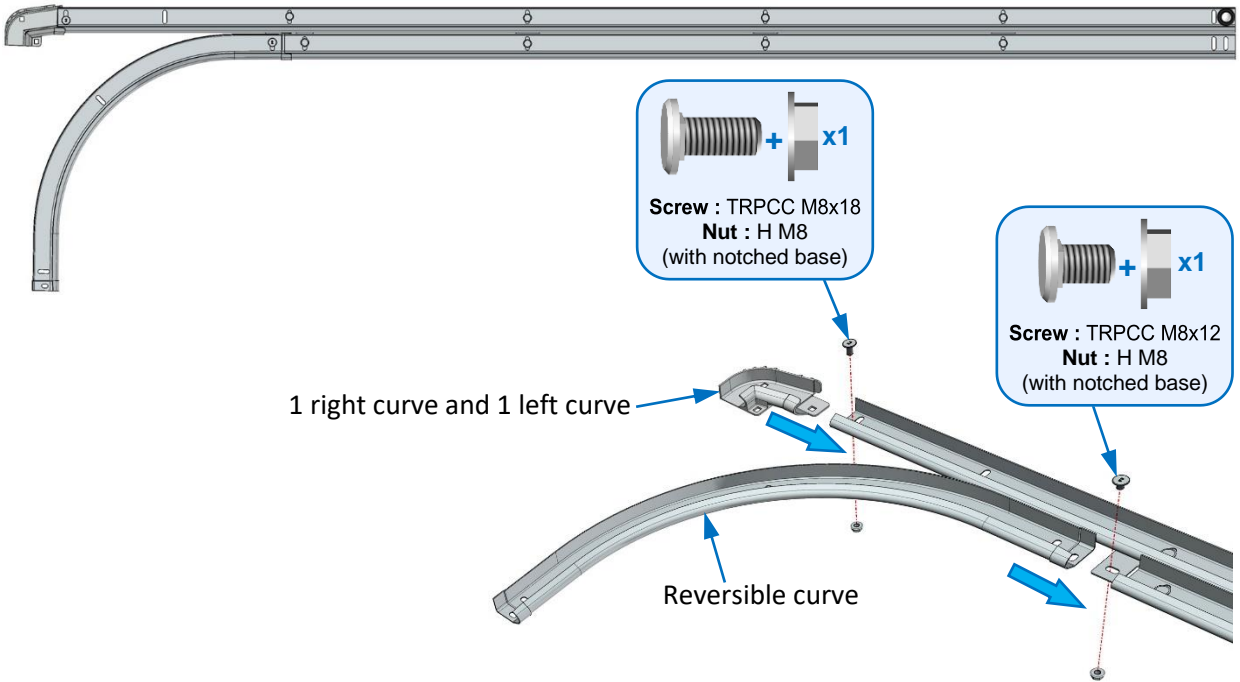


### HORIZONTAL RAILS for Motorised doors



OR

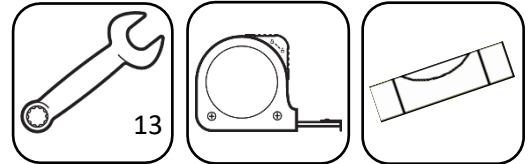
### HORIZONTAL RAILS for Manual doors



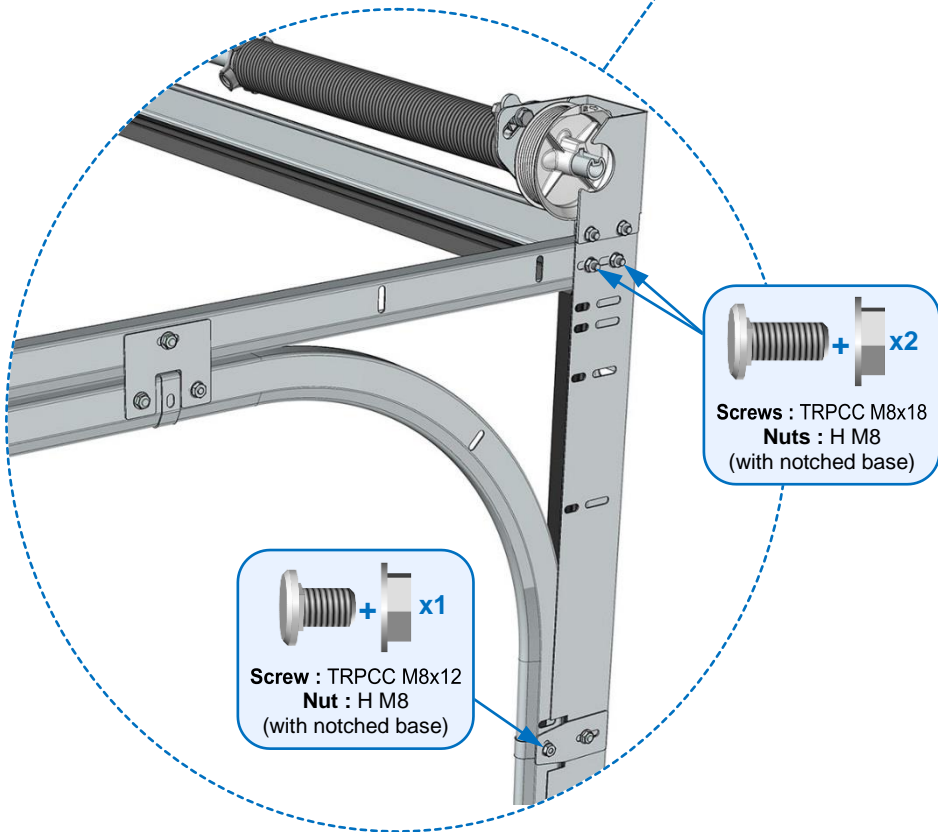
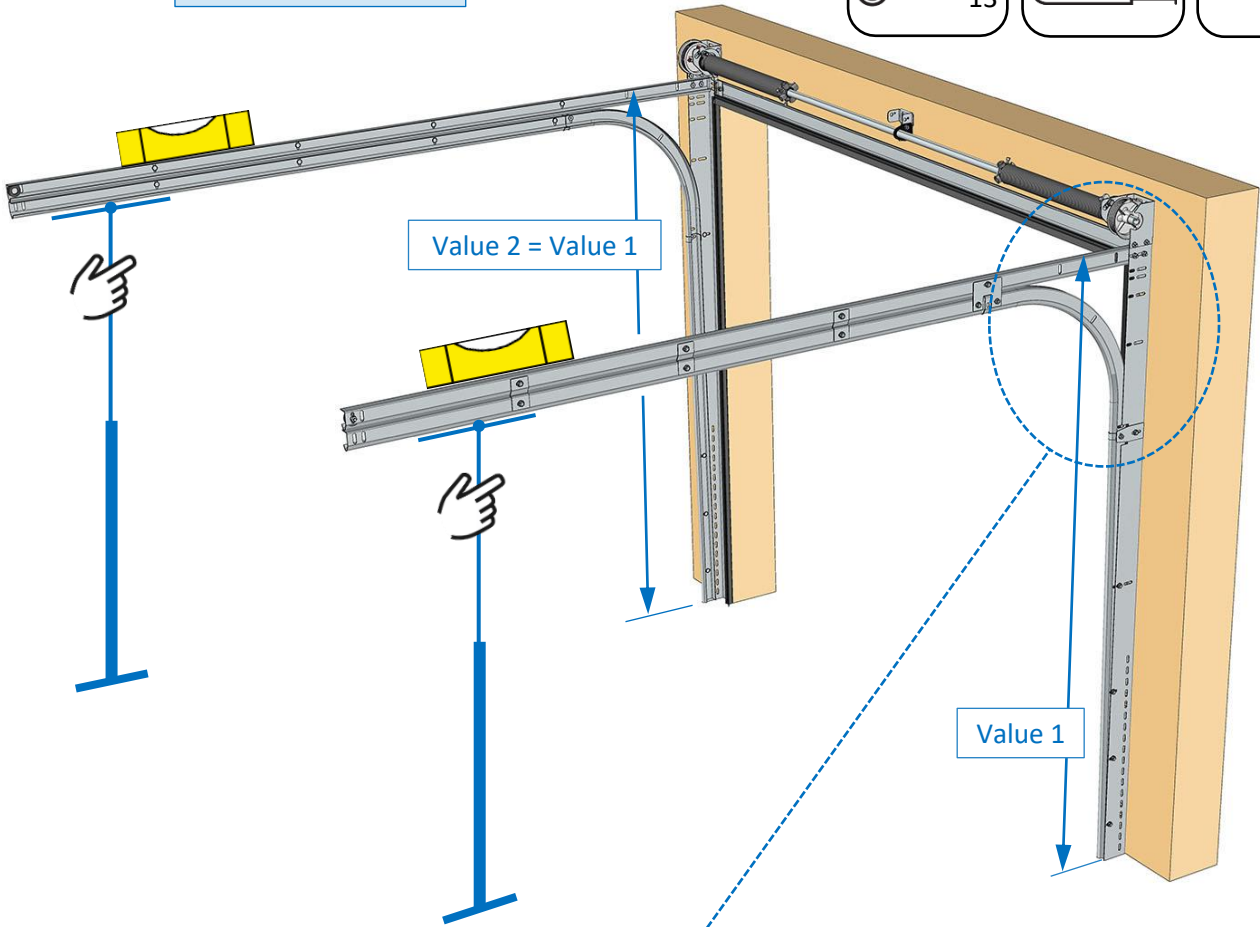
To make adjustment simpler during assembly, do not fully tighten the screws with nuts.

# Fixing the horizontal rails

**MOTORISED door**



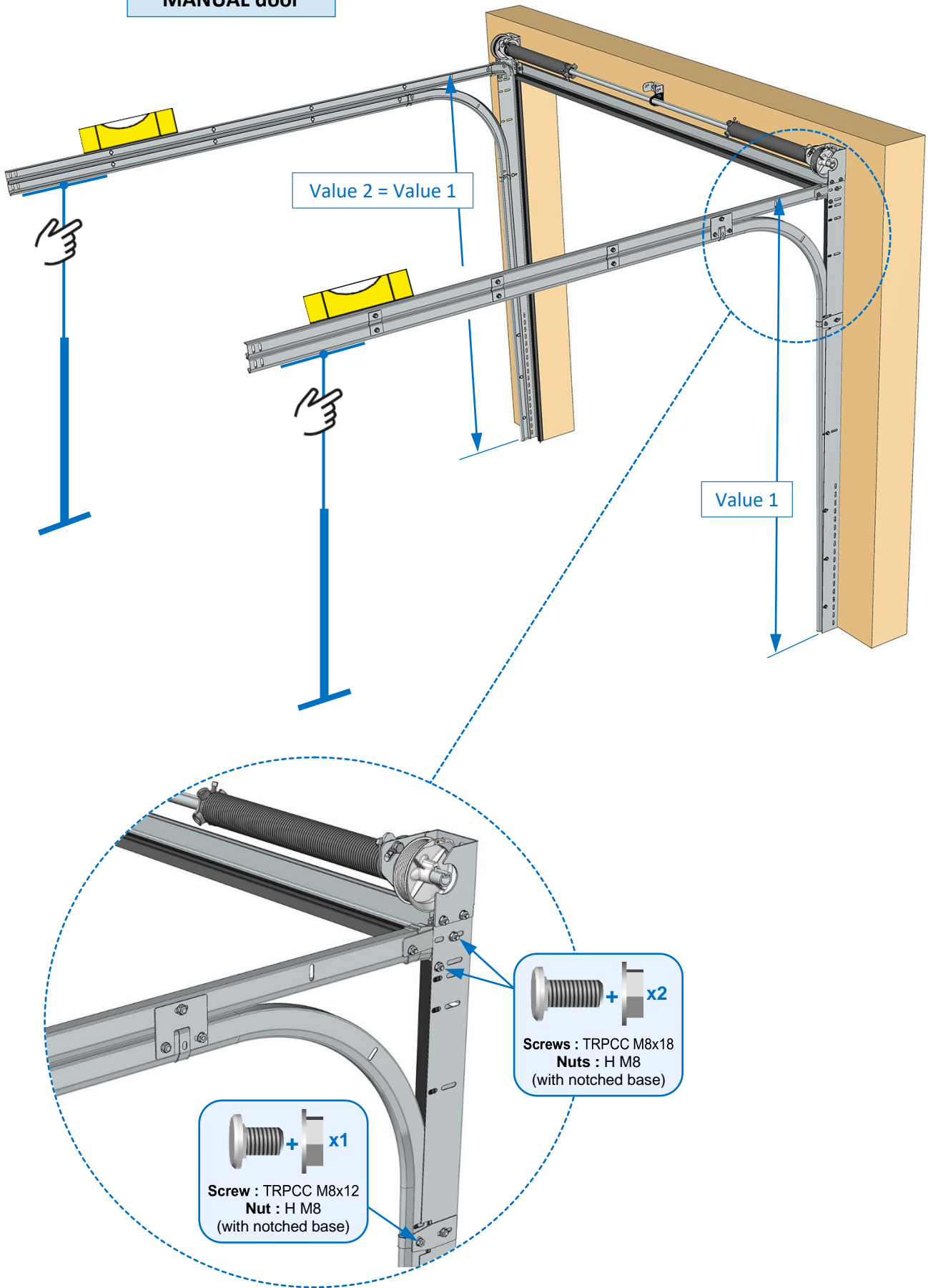
13



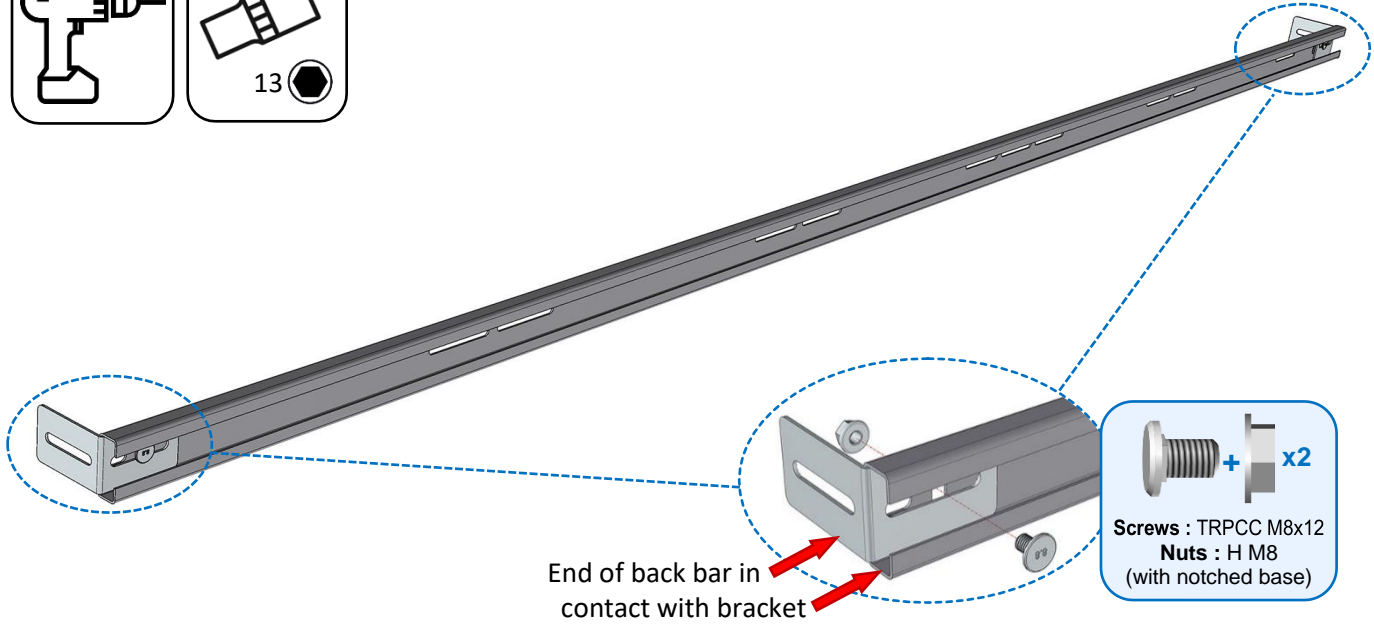
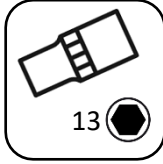
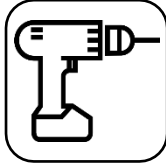
**Screw : TRPCC M8x12**  
**Nut : H M8**  
 (with notched base)

**Screws : TRPCC M8x18**  
**Nuts : H M8**  
 (with notched base)

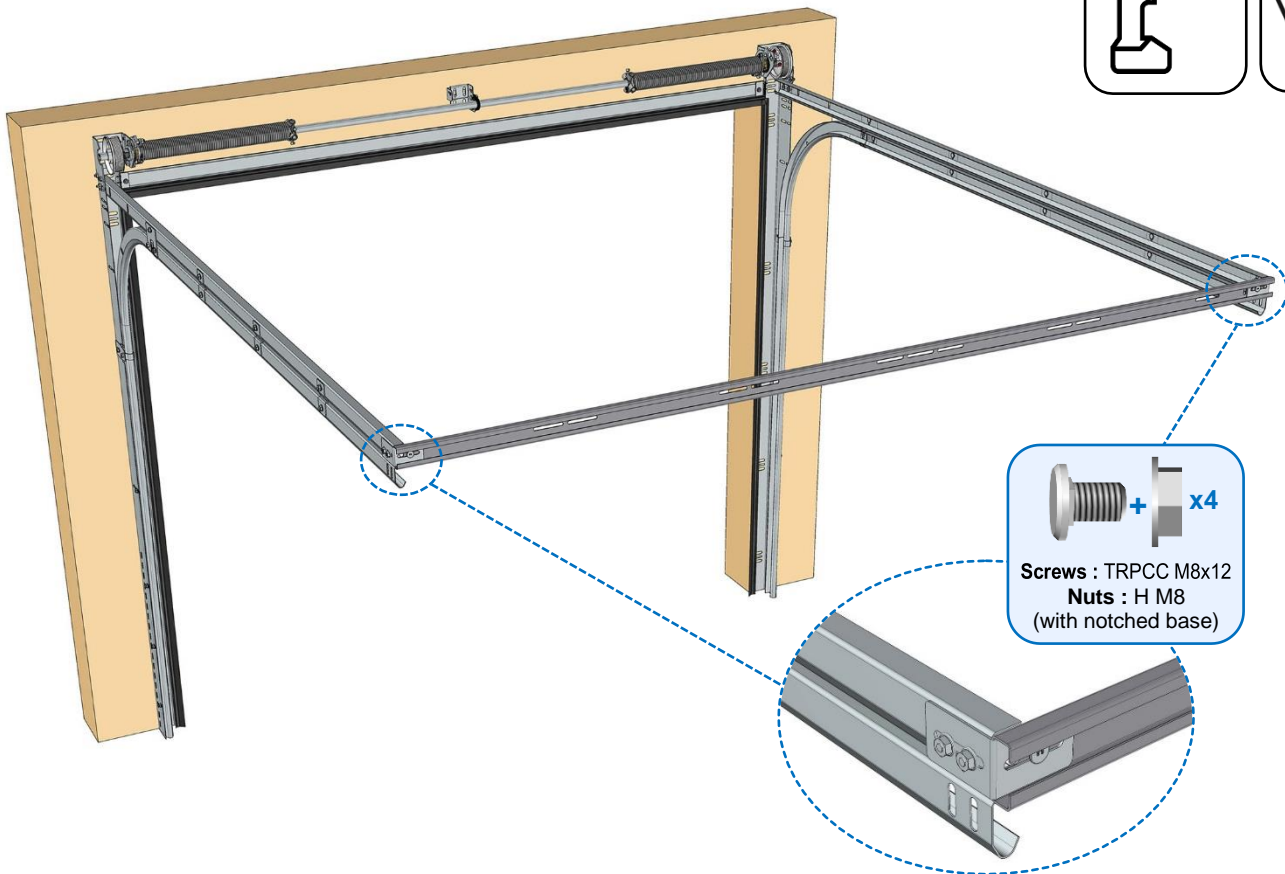
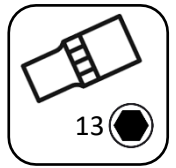
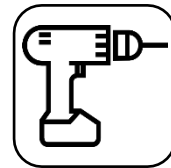
**MANUAL door**



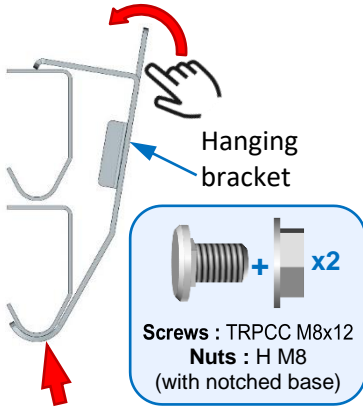
## Assembling the back bar brackets



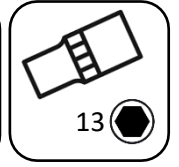
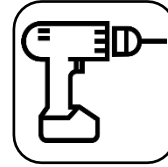
## Installing the back bar



## Installing the hangers



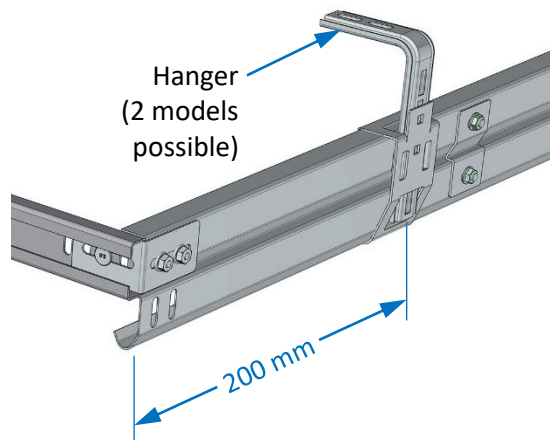
**Do not fasten the hangers to the masonry.  
Do not fully tighten the screws with nuts.**



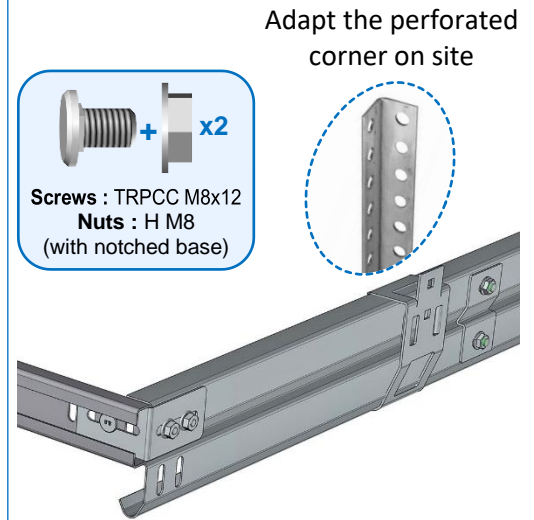
**Adapt the number of hangers to the dimensions of the doors :**

- 2 hangers, if  $PW \leq 3,000$  or  $PH \leq 2,150$  mm
- 4 hangers, if  $PW > 3,000$  or  $PH > 2,150$  mm

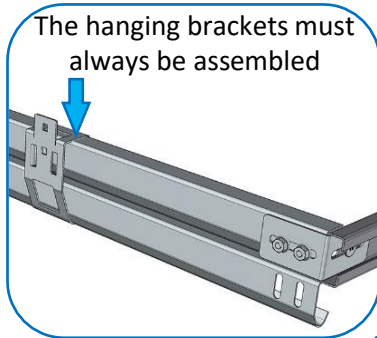
**Assembly :  $200 \text{ mm} \leq OH \leq 440 \text{ mm}$**



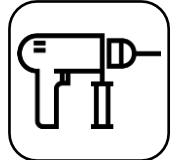
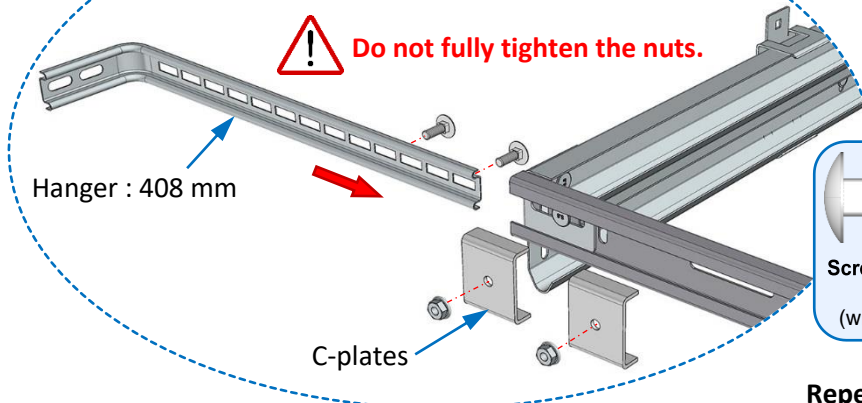
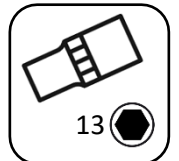
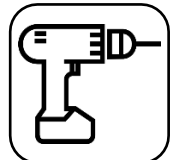
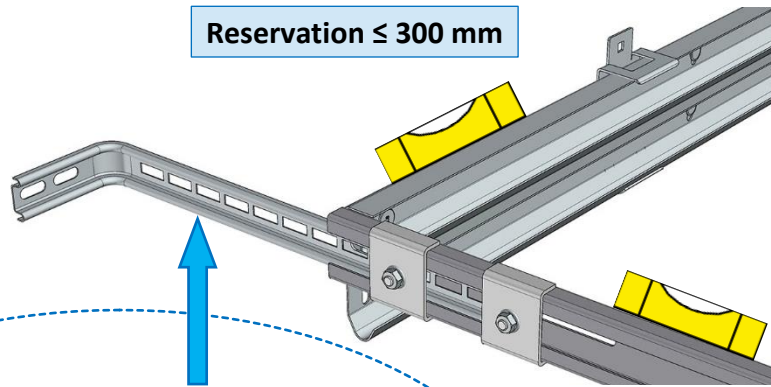
**Assembly :  $OH > 440 \text{ mm}$**



## Back bar extension (option)



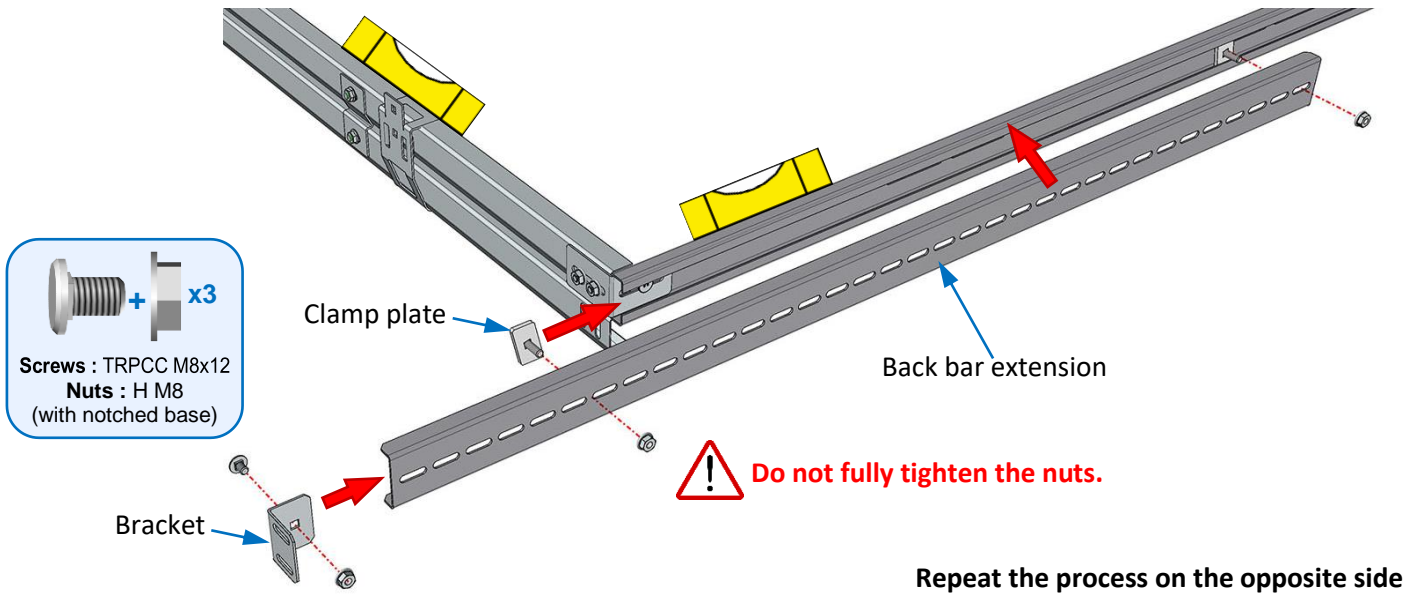
**Reservation  $\leq 300 \text{ mm}$**



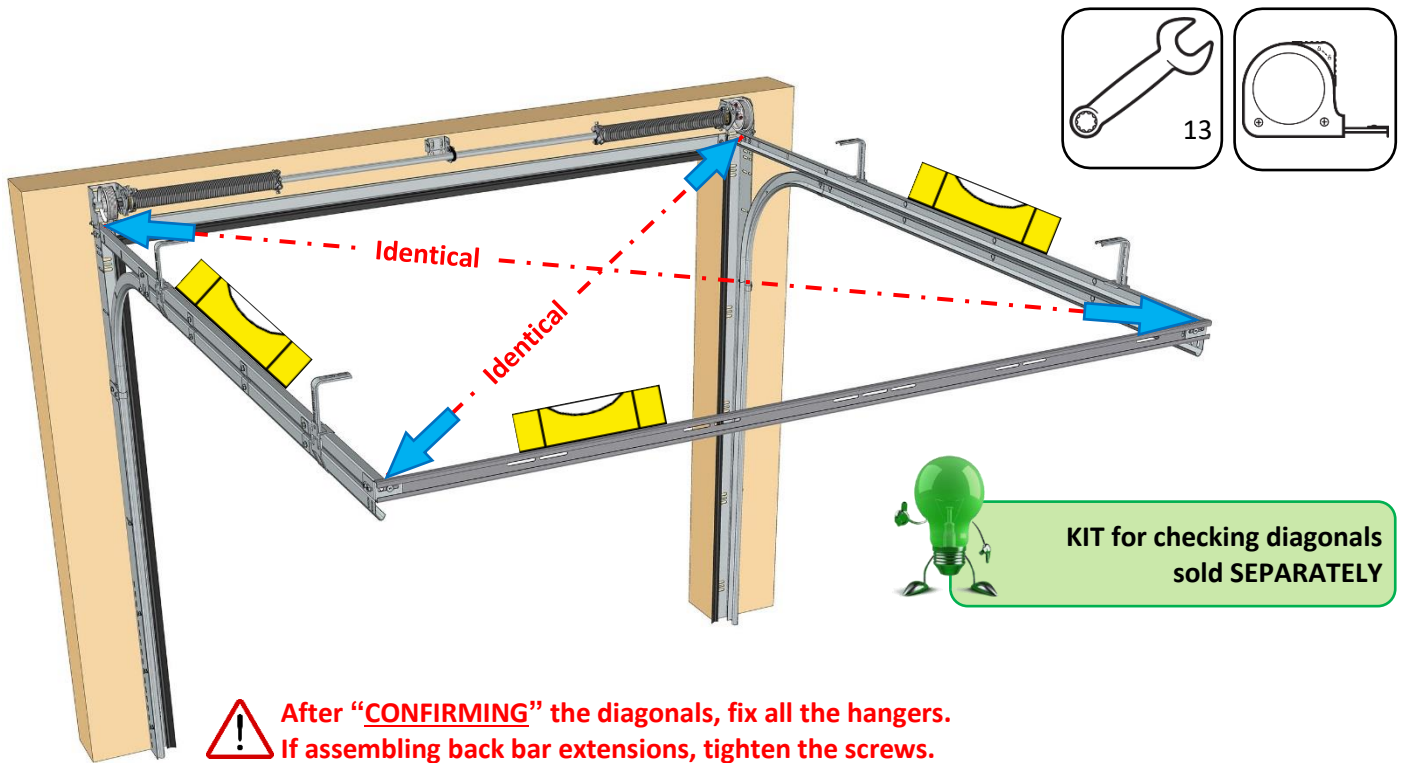
**Repeat the process on the opposite side**



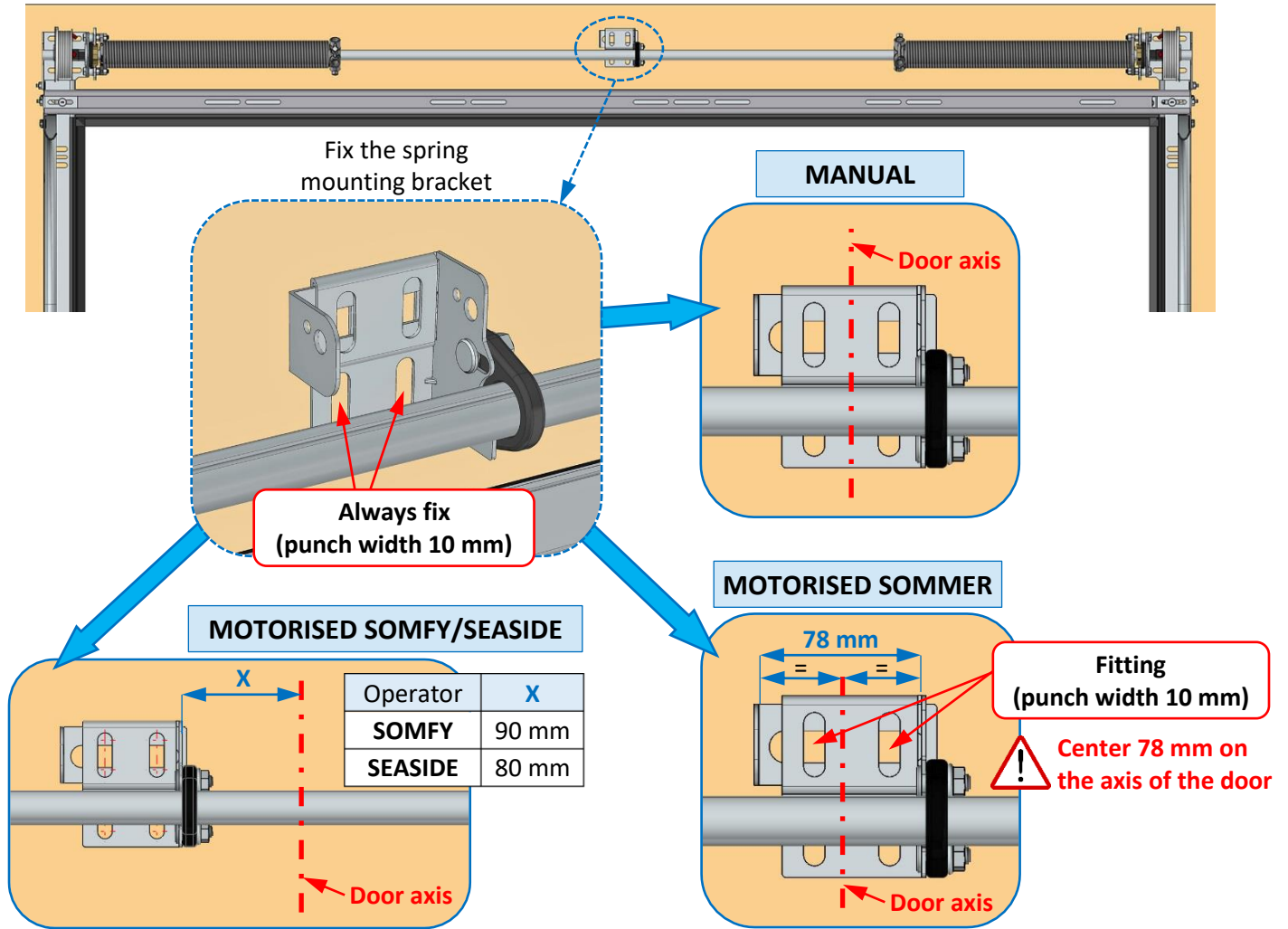
300 mm < Reservation ≤ 1,000 mm



### Checking the diagonals

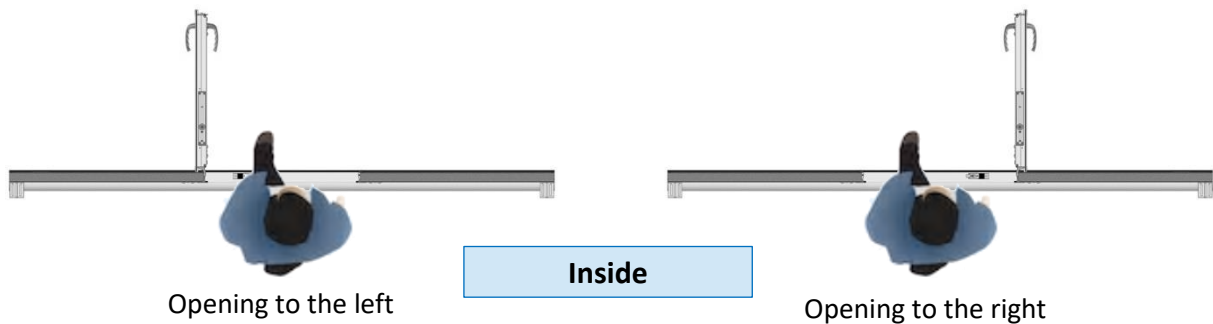


## Installing the spring mounting bracket ("operator support" in "motorised door" version)

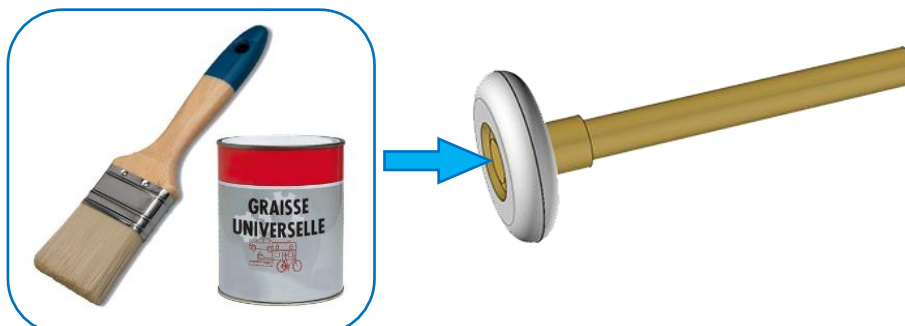


## Panel preparation

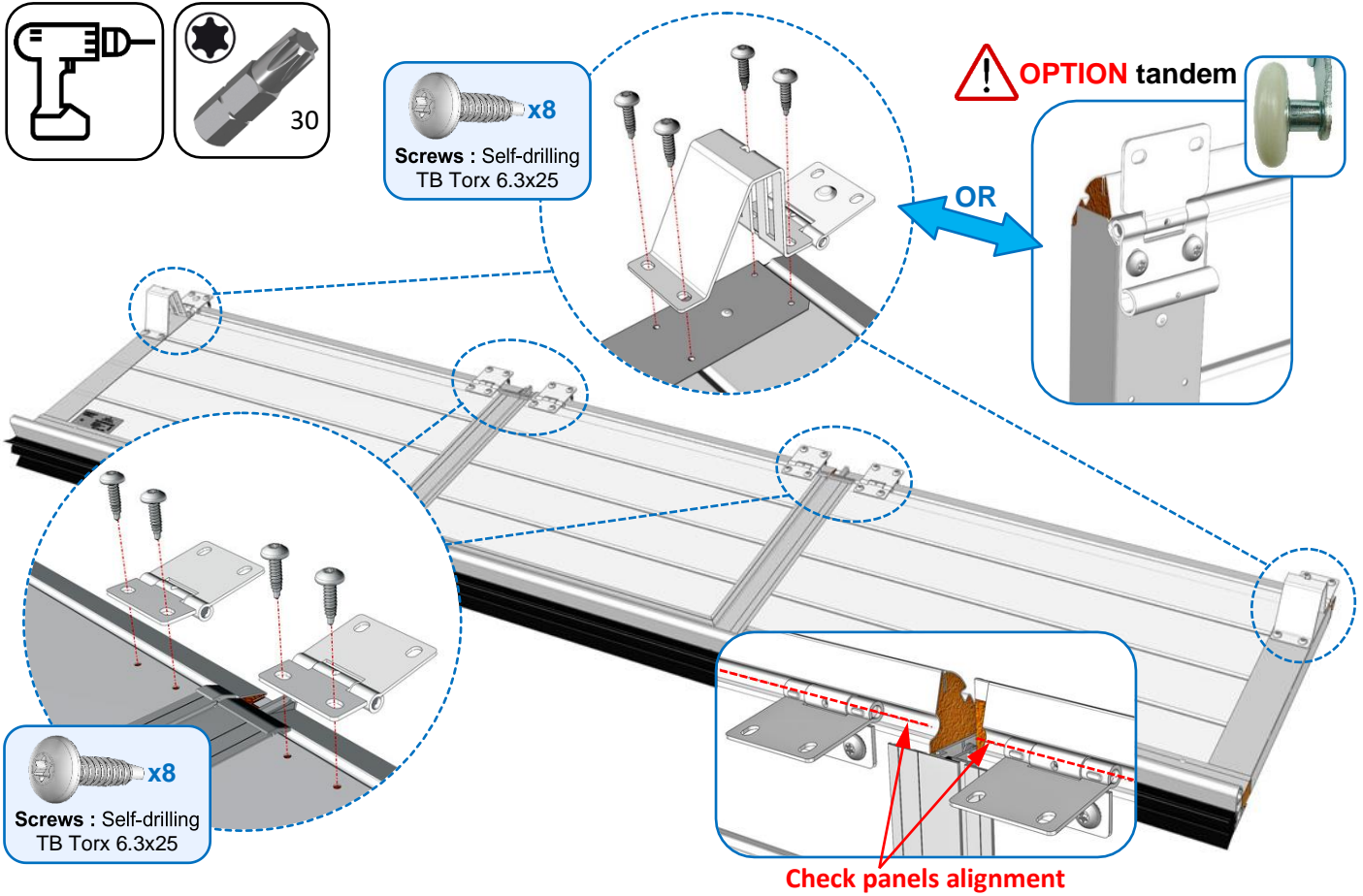
### Identifying the opening direction



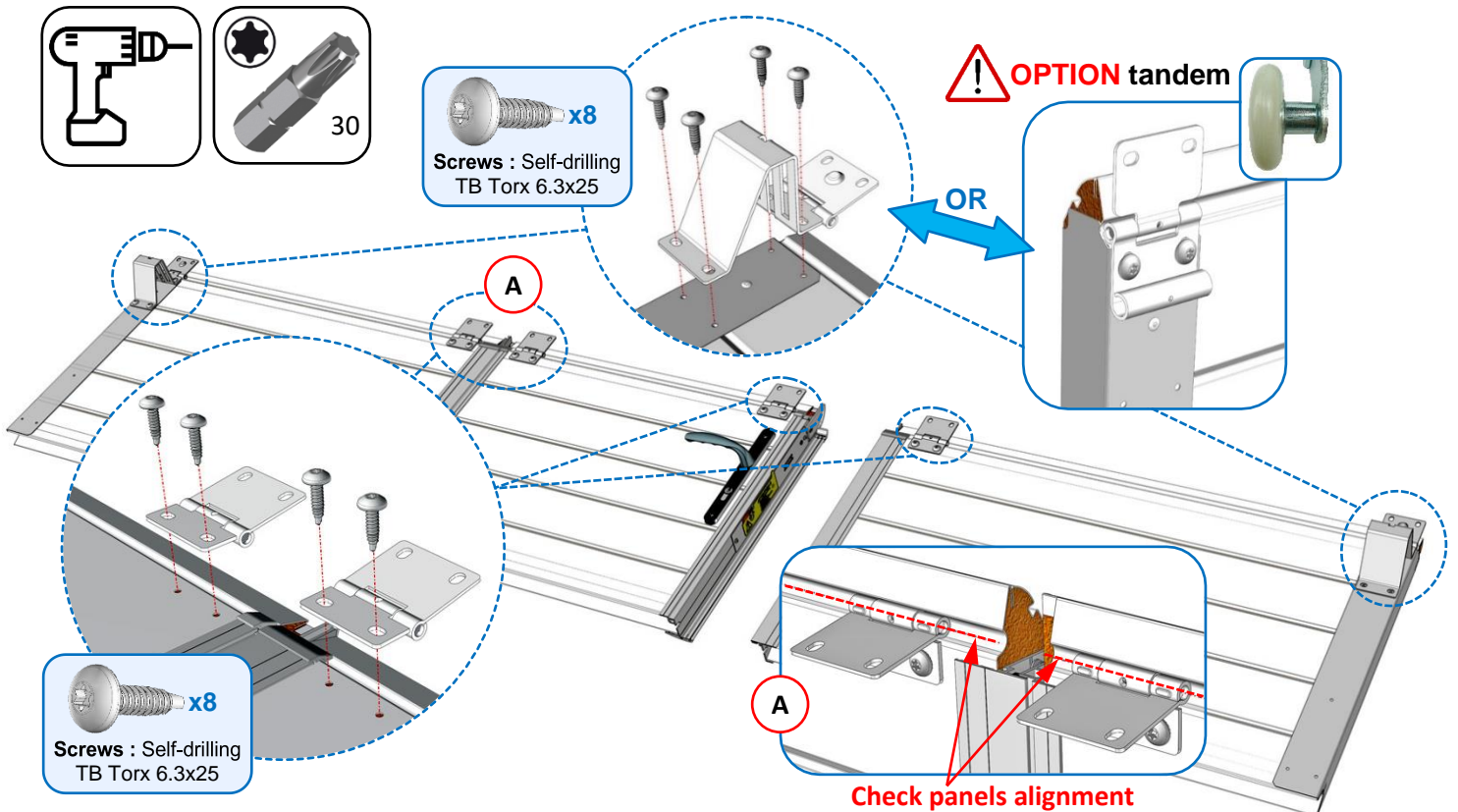
### Grease all roller shafts



### Bottom panel

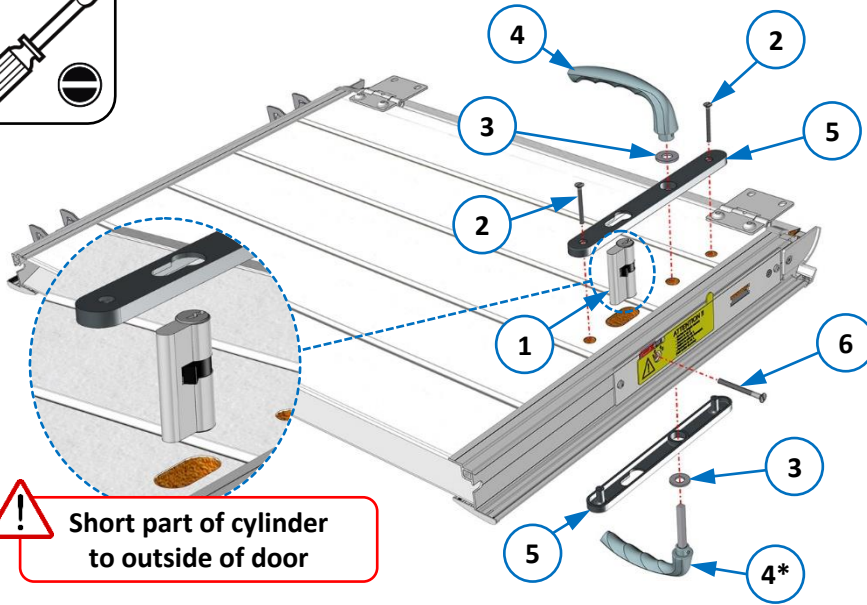


### Intermediate panel(s)





**Assembling the handle and cylinder on intermediate panel no. 1 (recommended) :**



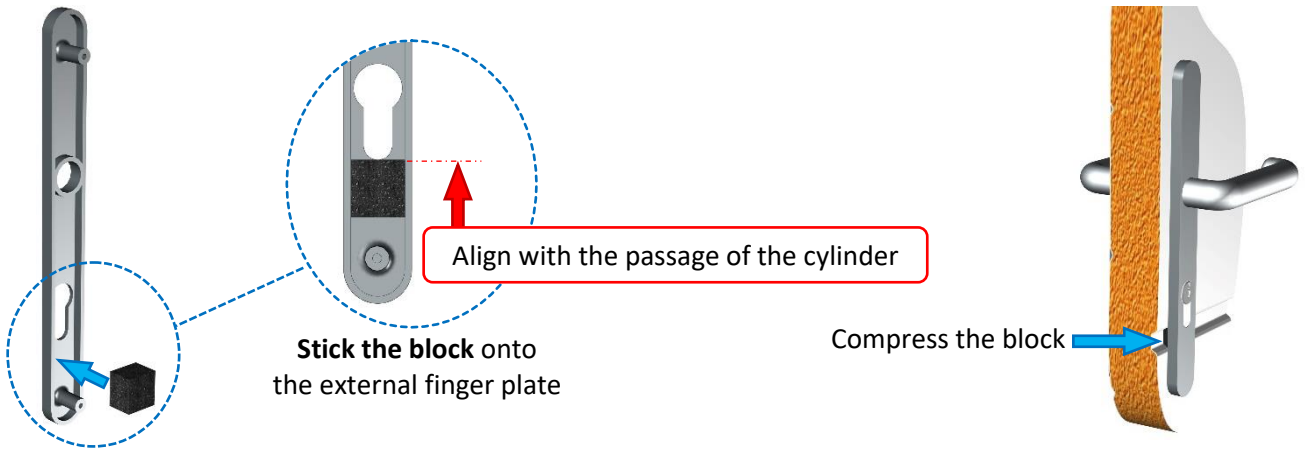
**! Fix the finger plate screws on the inside of the door.**

1. Bushing
2. Flat TF screws M4x50 (x2)
3. Shimming washer (x2)
4. Handle (x2)
5. Finger plate (x2)
6. M5x75 screws (adjust if necessary)

**! If OH ≤ 130 mm, assemble the reduced handle 4\* on the outside.**

**! Short part of cylinder to outside of door**

**Specific case : Single-grooved panel**



Align with the passage of the cylinder

Stick the block onto the external finger plate

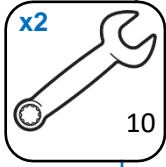
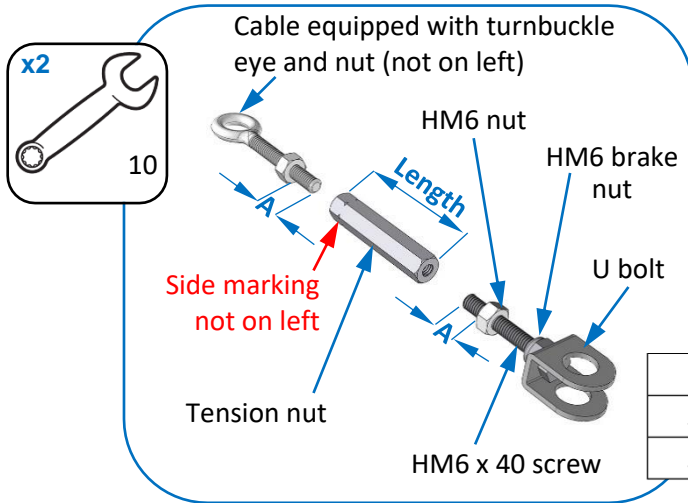
Compress the block

# Shutter assembly

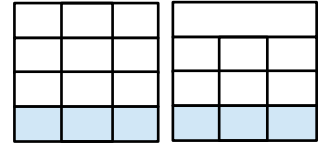
Bottom panel installation illustrated with standard 60 mm threshold

 See specific information for reduced 30 mm threshold

**Prepare the turnbuckles :**

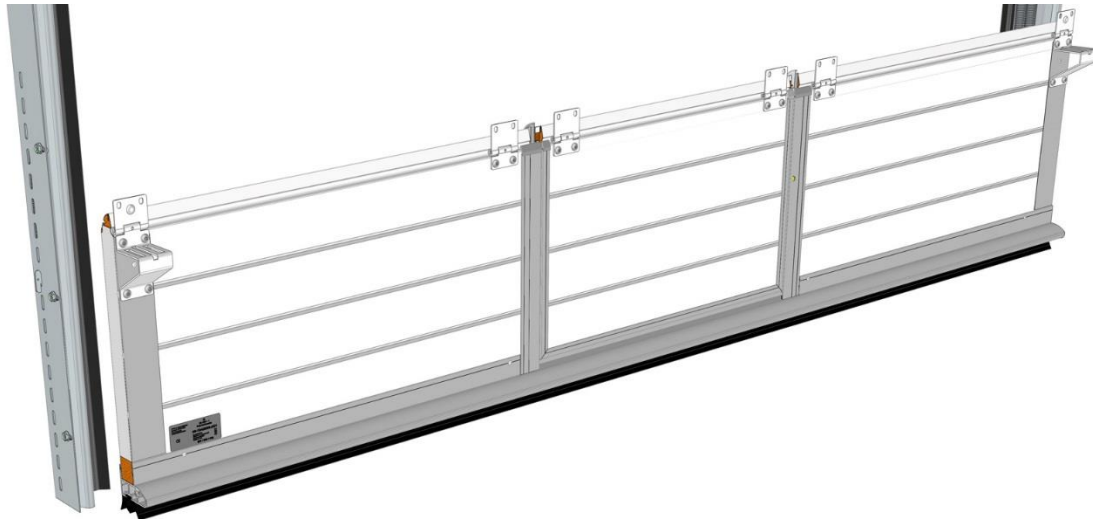


The turnbuckle eye must be adjusted in an identical manner for each cable.

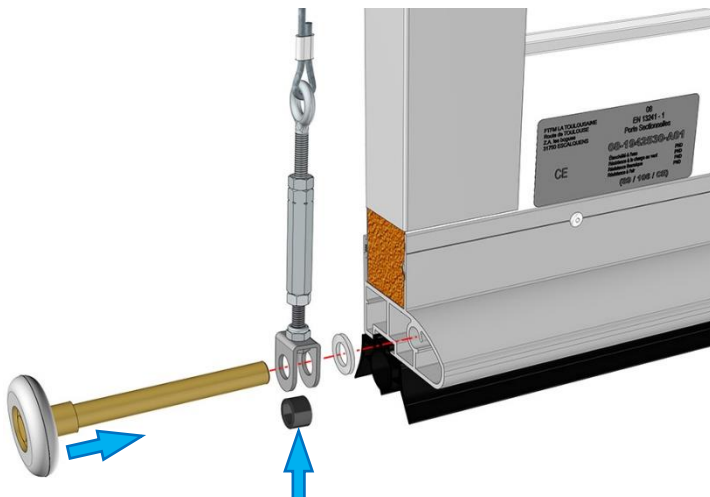


Length	A
30 mm	12 mm
50 mm	15 mm

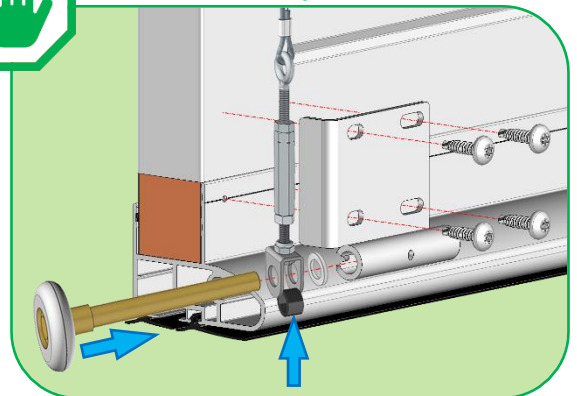
**Position the panel in front of the rails :**



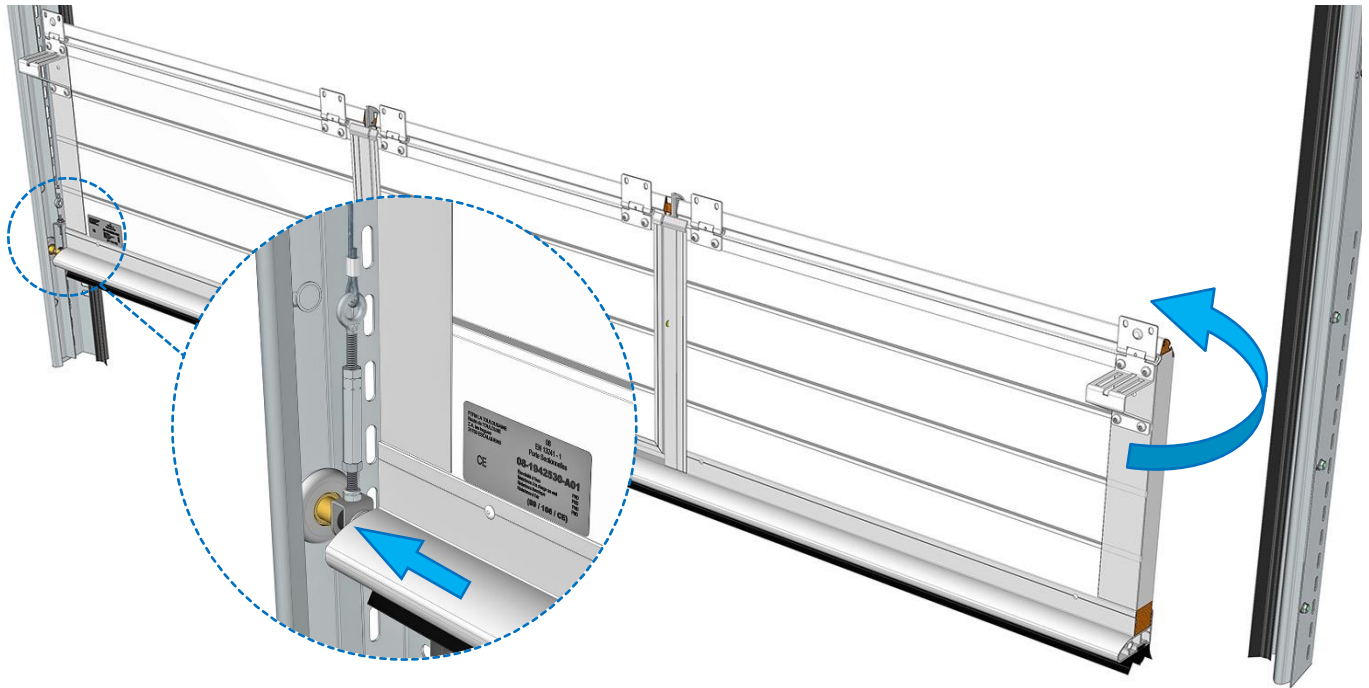
**Insert the « cable hook » and « roller » in the LEFT side of the threshold :**



If reduced 30 mm threshold = Low suspension



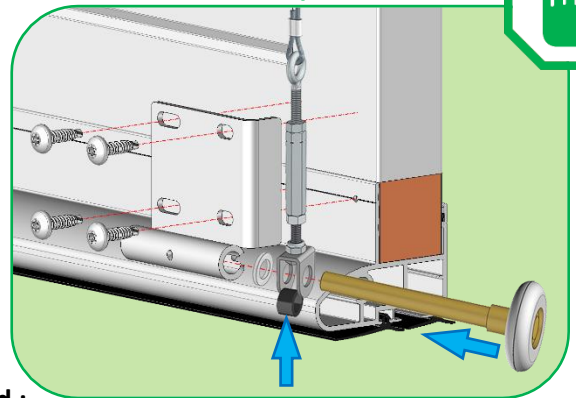
**Insert the roller « equipped with the tensioner » in the LEFT vertical rail :**



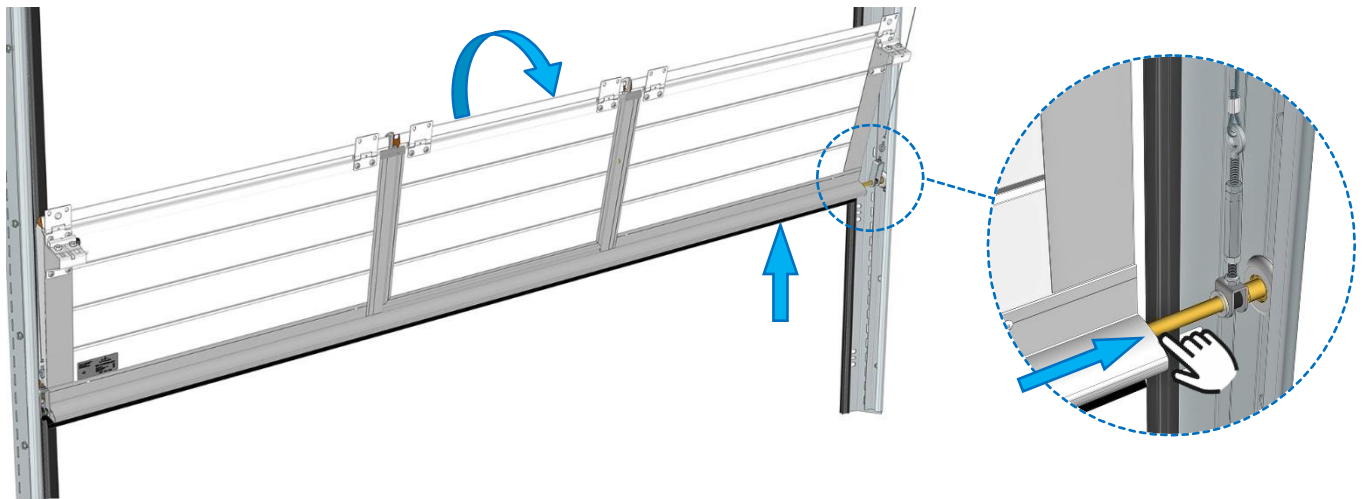
**Insert the « roller » and « assembled tensioner » in the RIGHT vertical rail :**



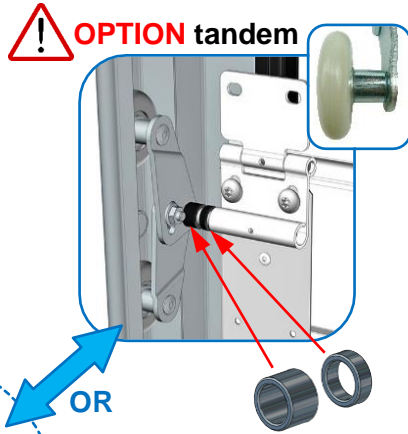
If reduced 30 mm threshold  
= Low suspension



**Insert the roller « equipped with the tensioner » in the threshold :**



**Insert shims and finalize the guides :**

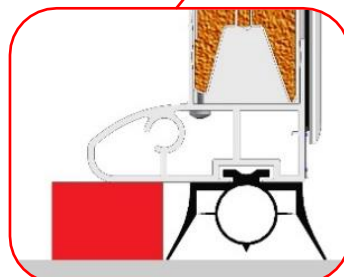


**Screws : TRPCC M8x15**  
**Nuts : H M8**  
(with notched base)

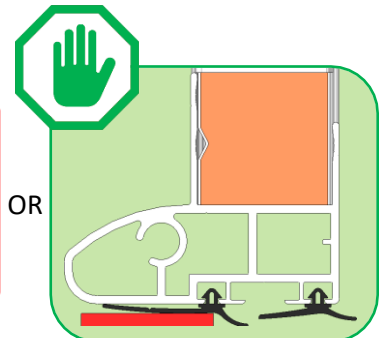
**Center the panel in the bay**

**Center the shim on the wicket door**

**To install the bottom panel at the correct level, place shims (not supplied) high enough under the threshold, to avoid flattening the bottom seal when assembling the panels.**



**Standard 60 mm threshold = Shim height 40 mm**



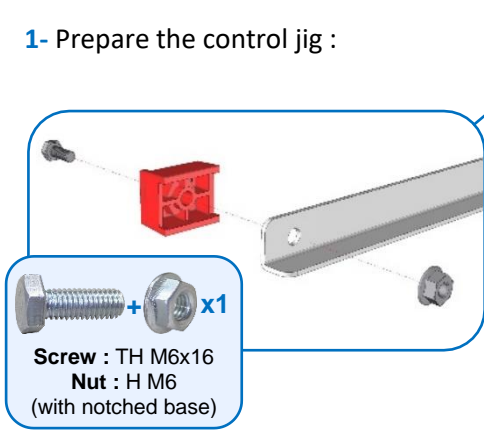
**If reduced 30 mm threshold = Shim height 10 mm**

**Please note :** If the wicket door is off center, add 1 shim under the longest side.



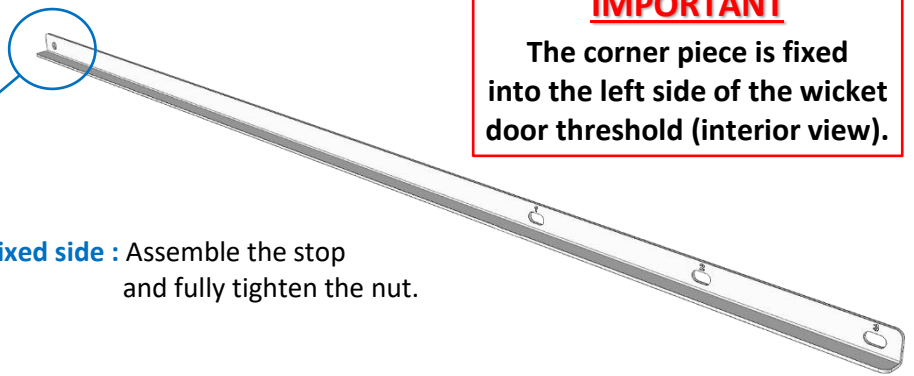
**Insert shims and check the wicket door :**

1- Prepare the control jig :

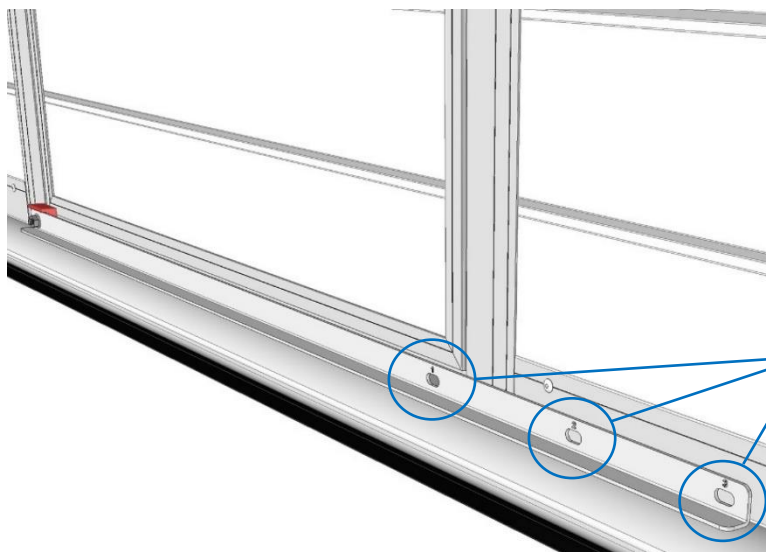


**Fixed side :** Assemble the stop and fully tighten the nut.

**IMPORTANT**  
The corner piece is fixed into the left side of the wicket door threshold (interior view).



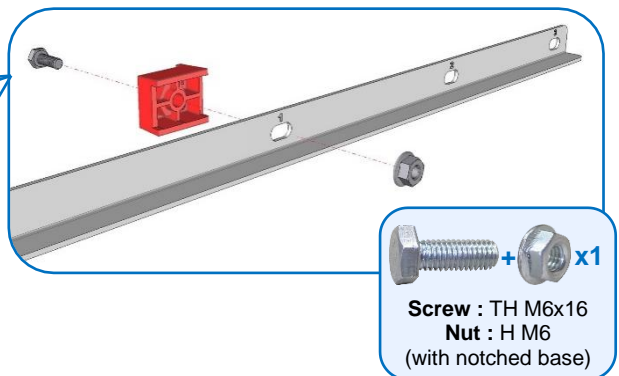
2- Position the jig on the threshold of the wicket door :



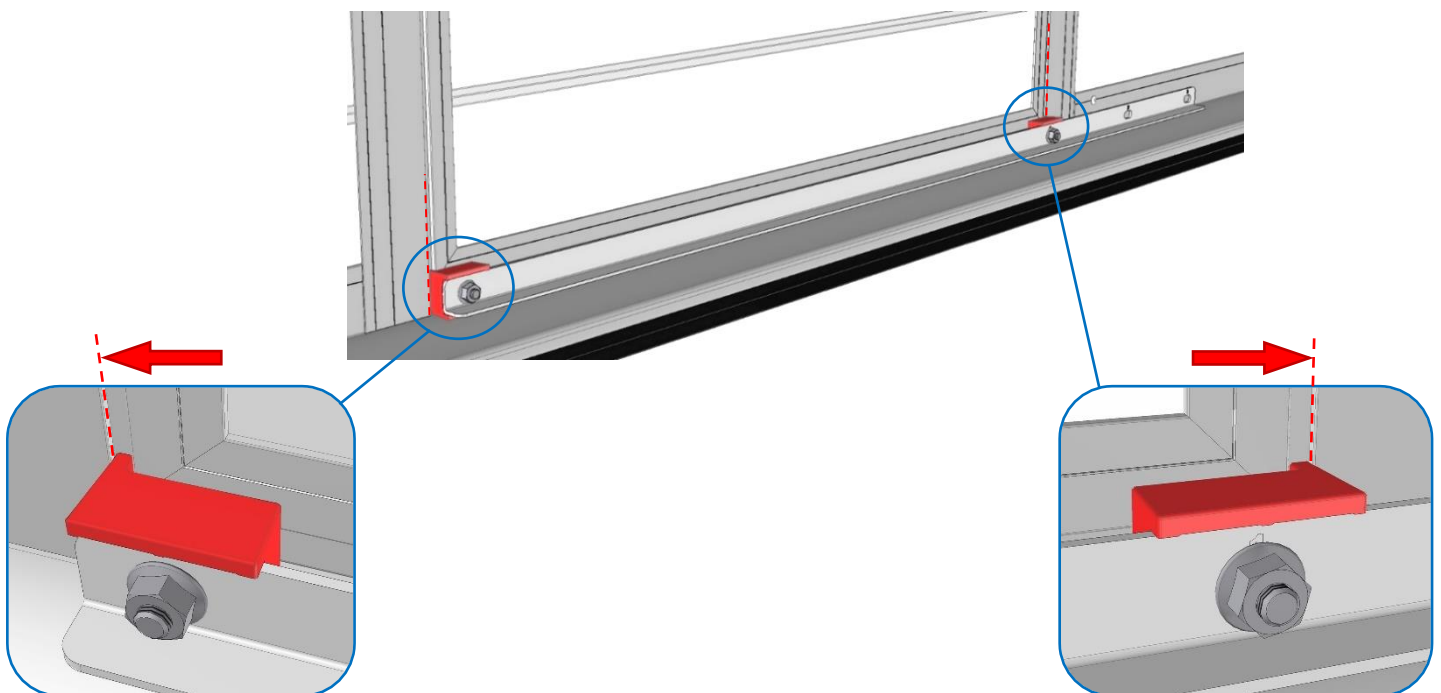
**Mobile side :**

Position the stop on the corner piece according to the wicket door width ; assemble and fully tighten the nut.

Wicket door width	Position of the stop
L (659 mm)	1
XL (789 mm)	2
XXL (900 mm)	3



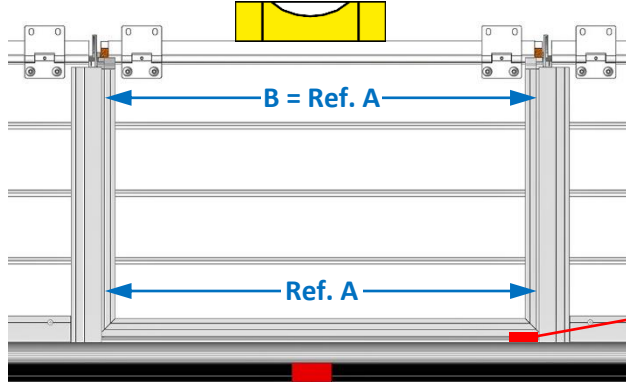
**Please note :** The stops must but up against the frame :



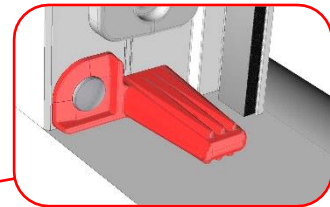


3- Use the jig to check the distance between the frames :

 Check top and bottom profile spacing

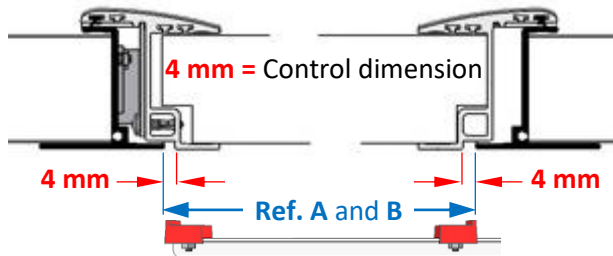


8 mm shim,  
present on lock side

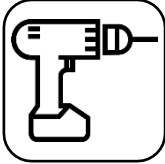


Do not remove

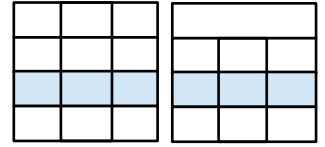
 For B = Reference A, adjust the thickness of the shim.



## Installing the intermediate panel(s)



**INTERMEDIATE (except last intermediate panel)**



**! OPTION tandem**

**OR**

**! !**

**Screws : TRPCC M8x15**  
**Nuts : H M8**  
 (with notched base)

**x2**

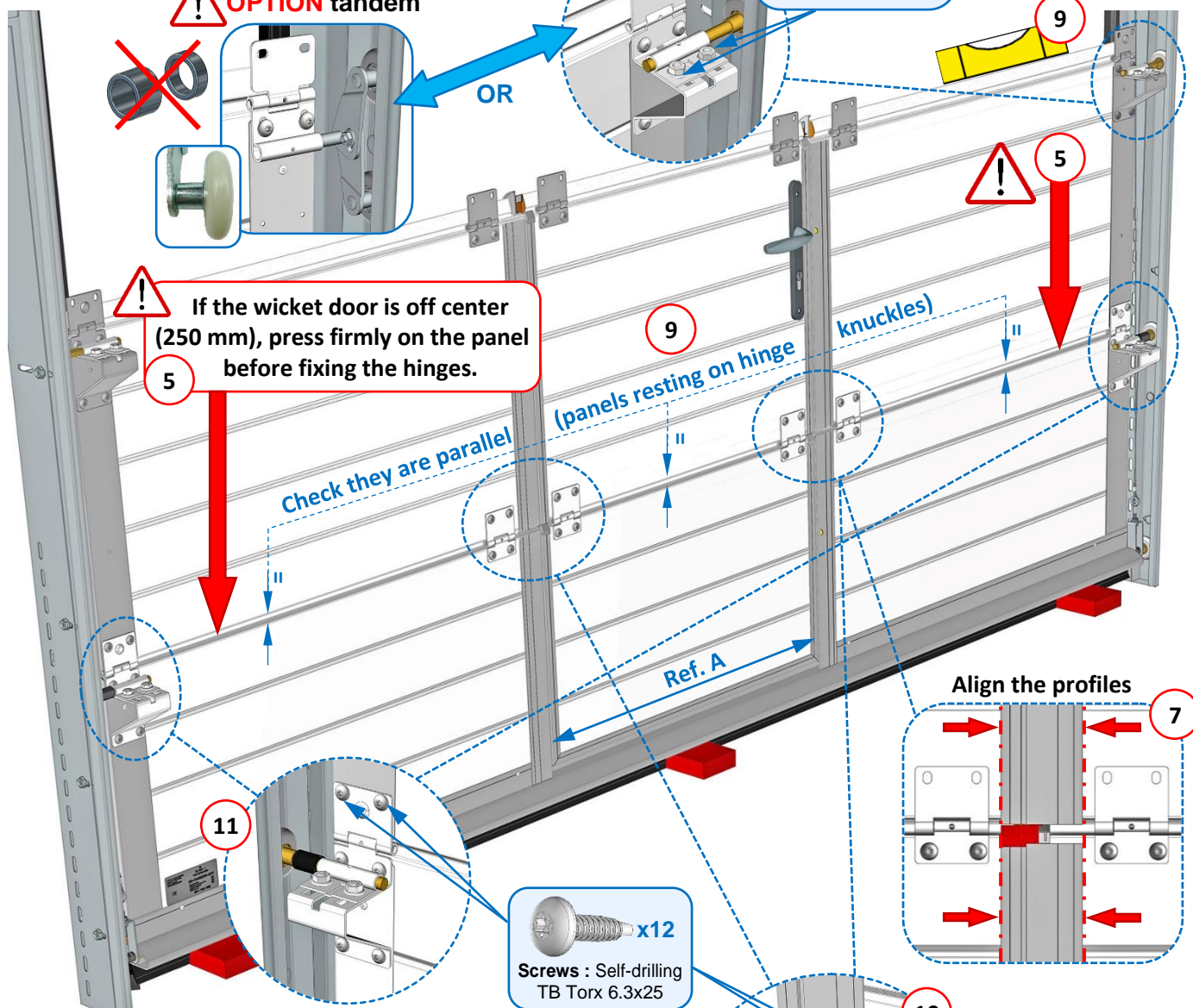
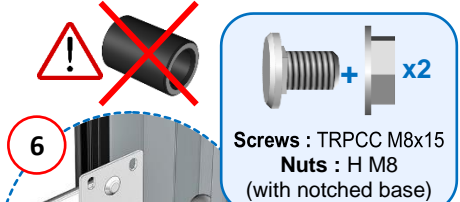
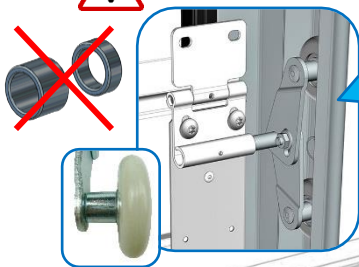
**! Gently lower the panel** **1**

**! The plugs** **2**

**! Align the profiles** **3**



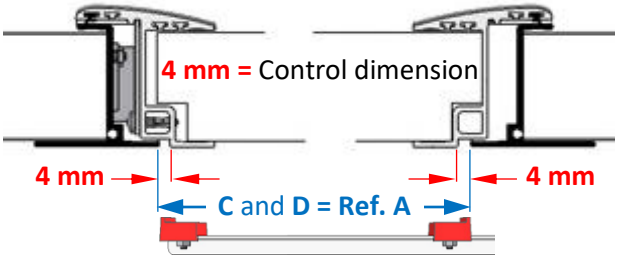
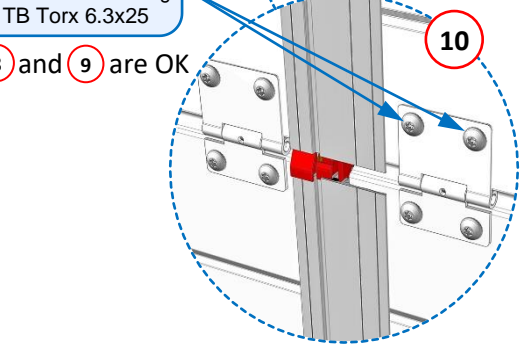
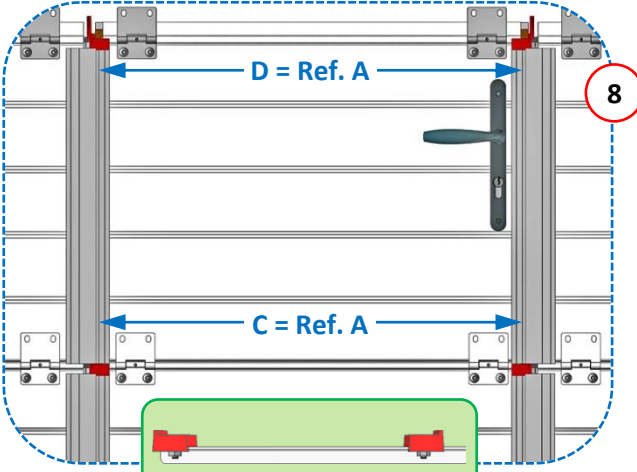
**OPTION tandem**



**!** If the wicket door is off center (250 mm), press firmly on the panel before fixing the hinges.

**Screws : Self-drilling TB Torx 6.3x25**

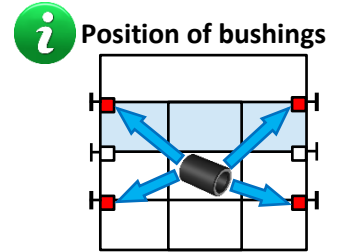
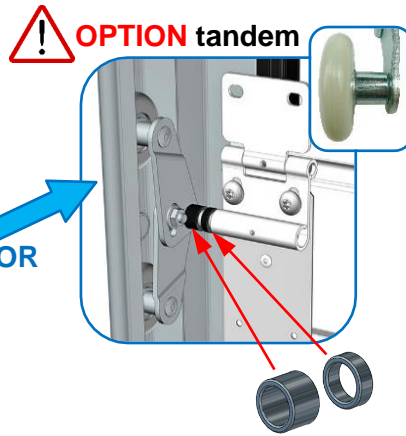
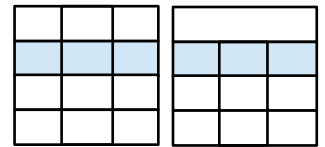
If **8** and **9** are OK



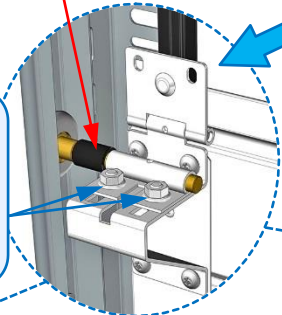
**!** Check top and bottom profile spacing



Last INTERMEDIATE panel



Screws : TRPCC M8x15  
Nuts : H M8  
(with notched base)

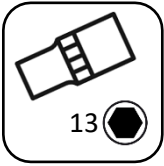
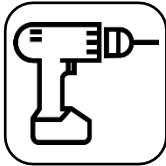


**Please note :** Installation of the « last intermediate panel » is identical to that of the other intermediate panels, except that bushings are added to the shafts of the rollers or tandems.

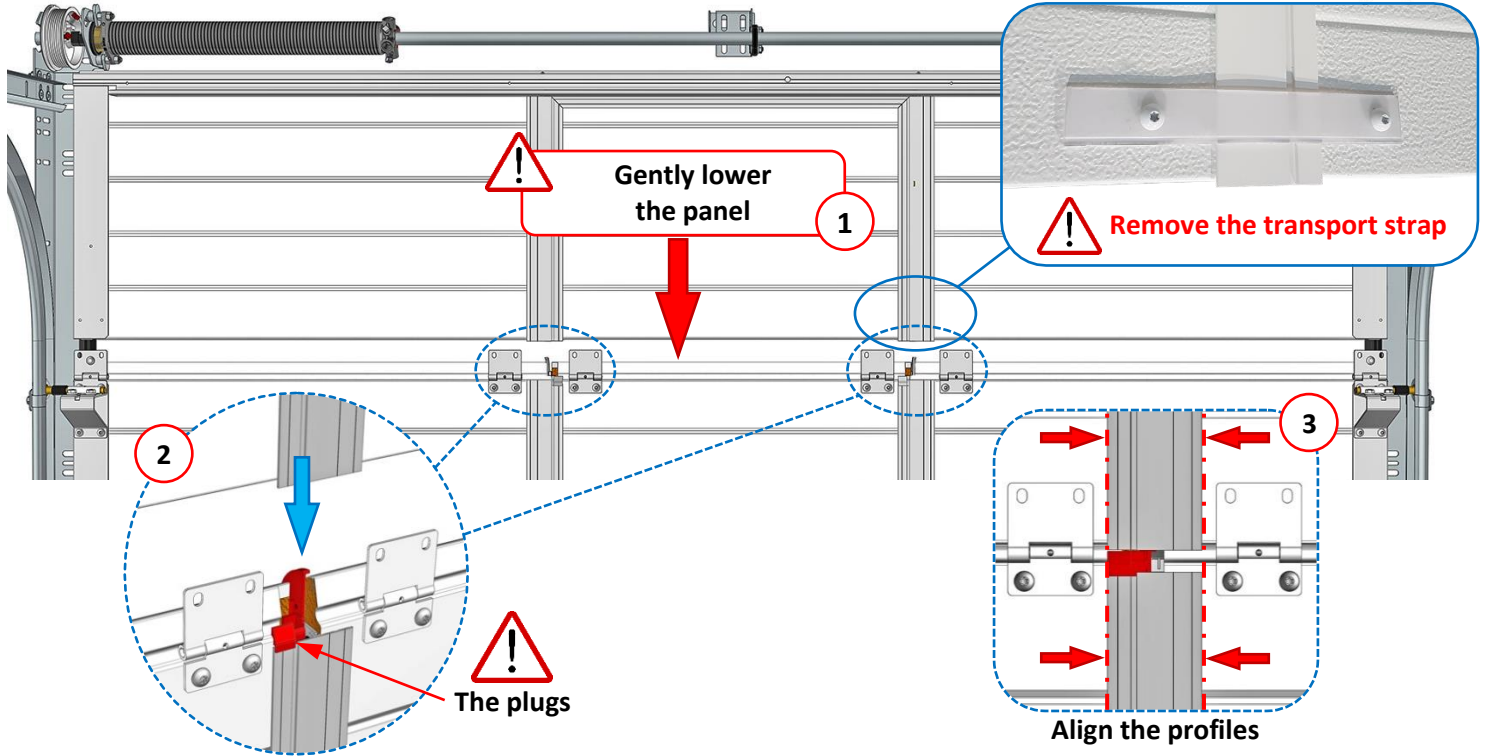
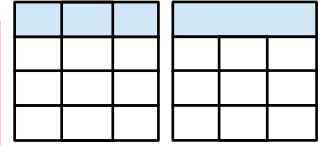
Screws : Self-drilling  
TB Torx 6.3x25

If 8 and 9 are OK

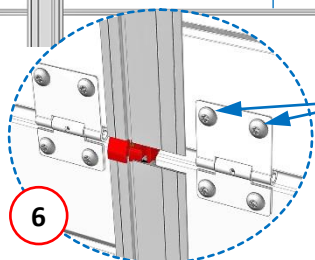
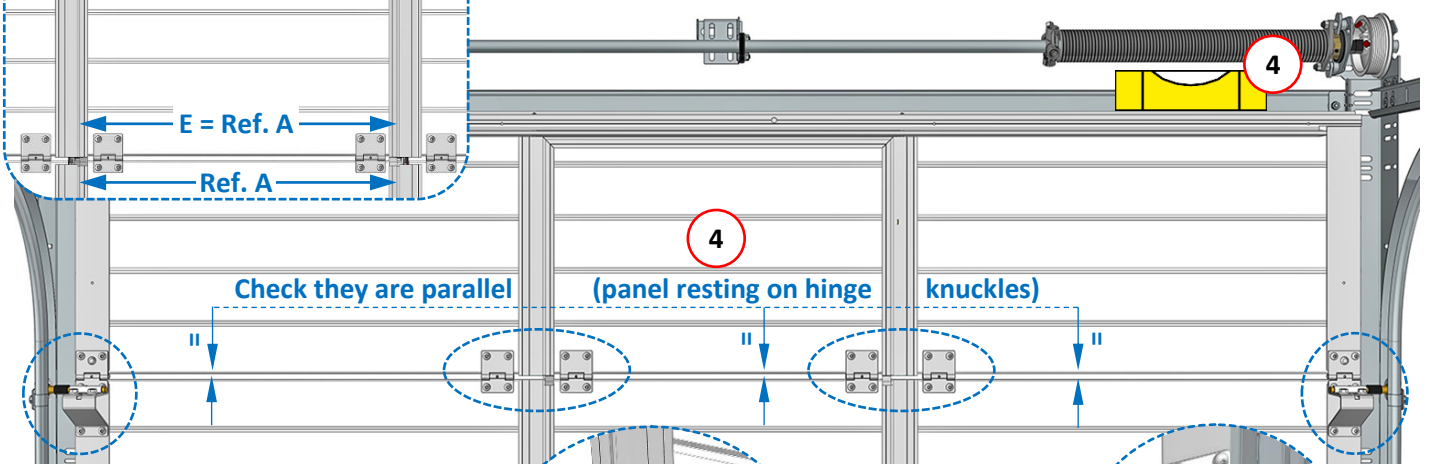
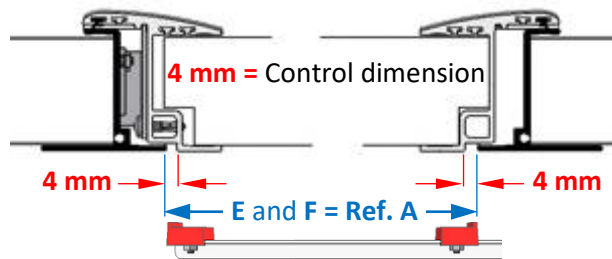
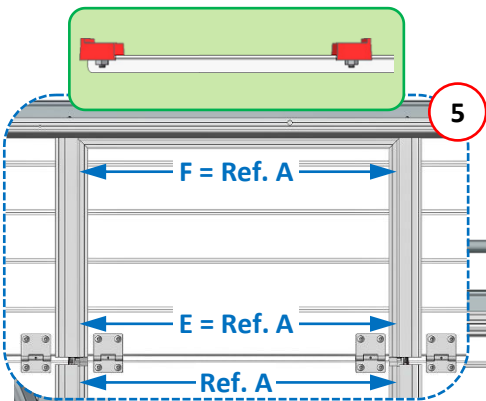
## Installing the top panel



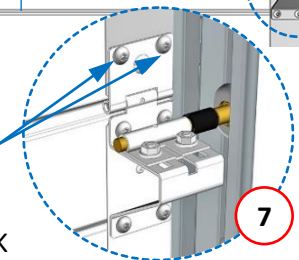
**!** If the wicket door opener is less than 50 mm from the header, adjust the door closure before assembling the wicket door top panel. Refer to the « WICKET DOOR FINALIZATION | Door closure adjustment » section.



**!** Check top and bottom profile spacing



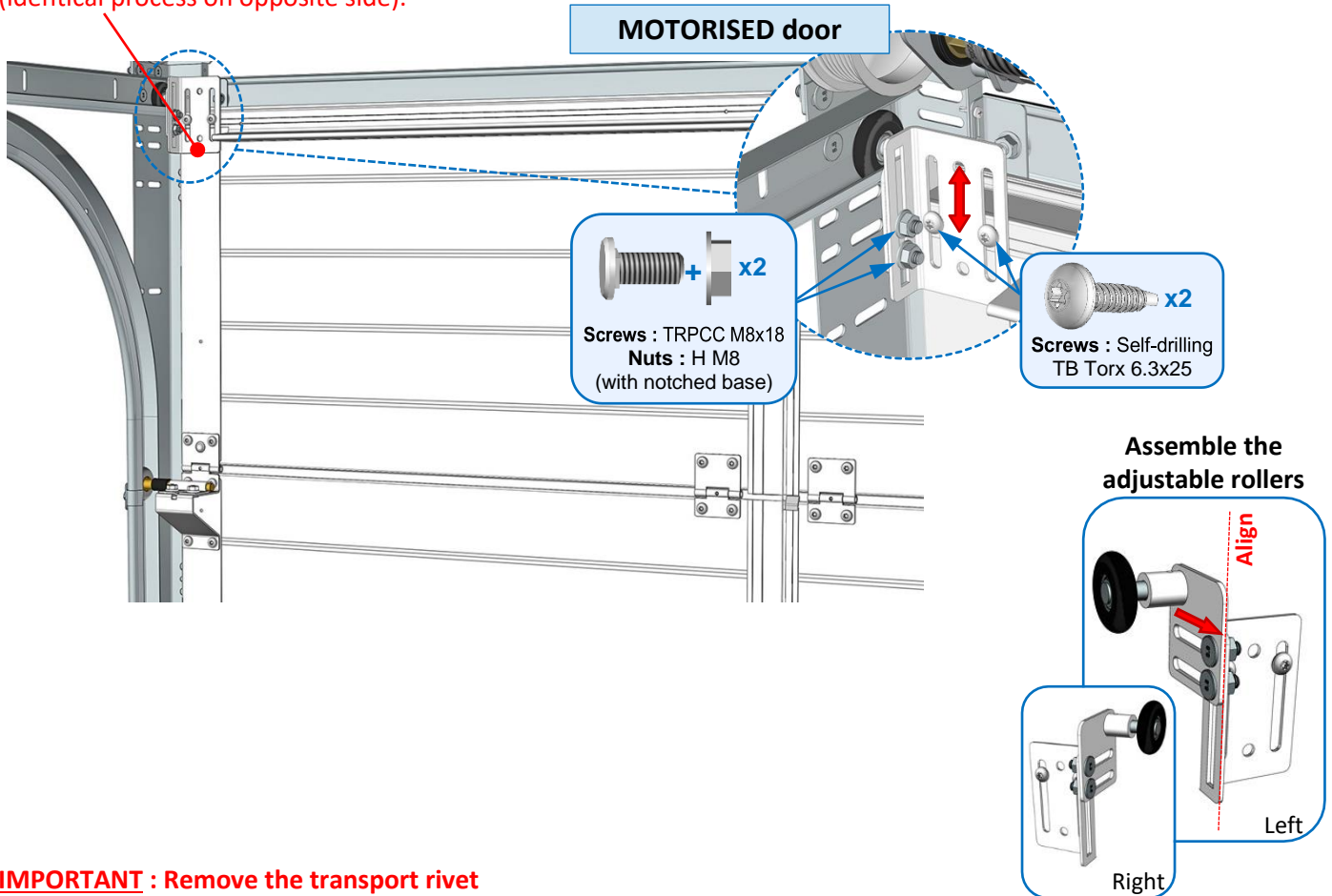
**x12**  
Screws : Self-drilling TB Torx 6.3x25



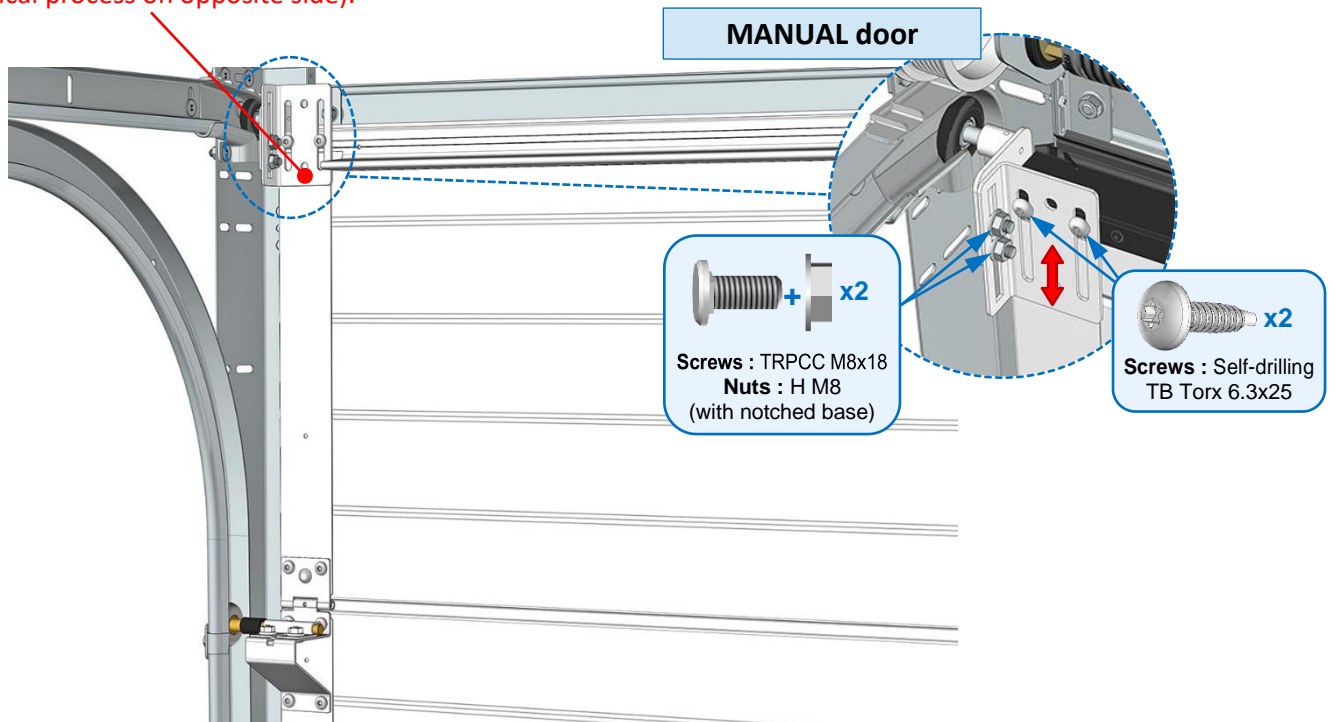
If **4** and **5** are OK



**IMPORTANT :** Remove the transport rivet from the edged column, so that the top roller support rests on a flat surface (identical process on opposite side).



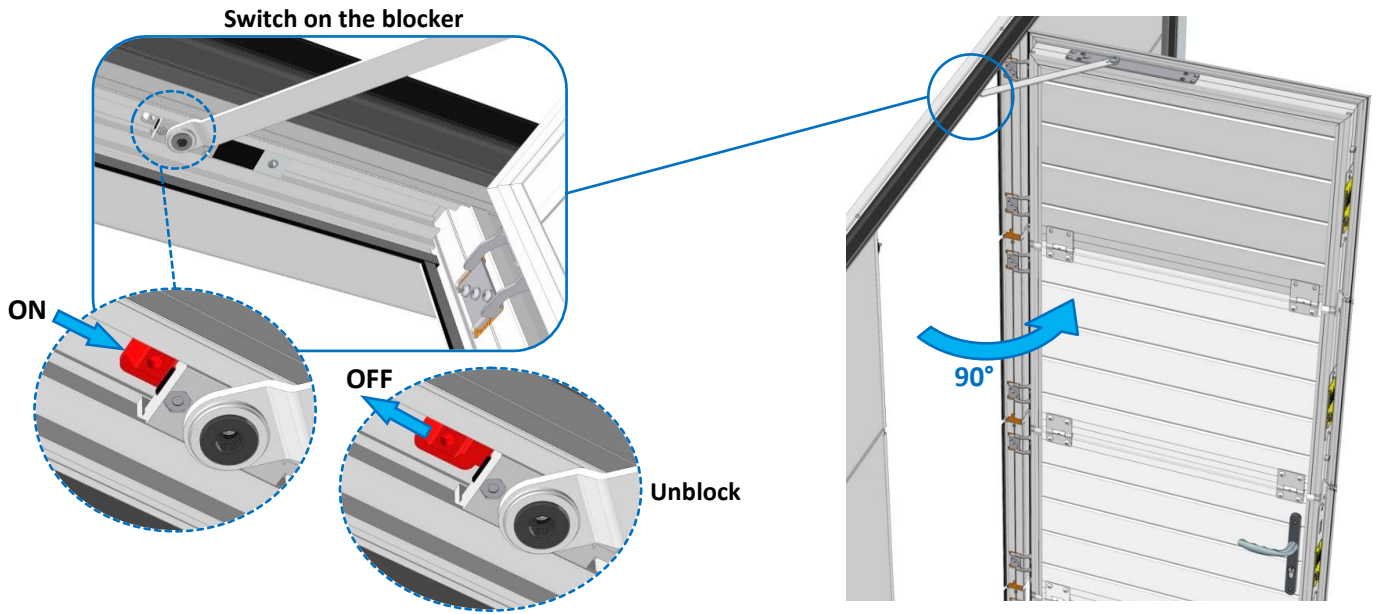
**IMPORTANT :** Remove the transport rivet from the edged column, so that the top roller support rests on a flat surface (identical process on opposite side).



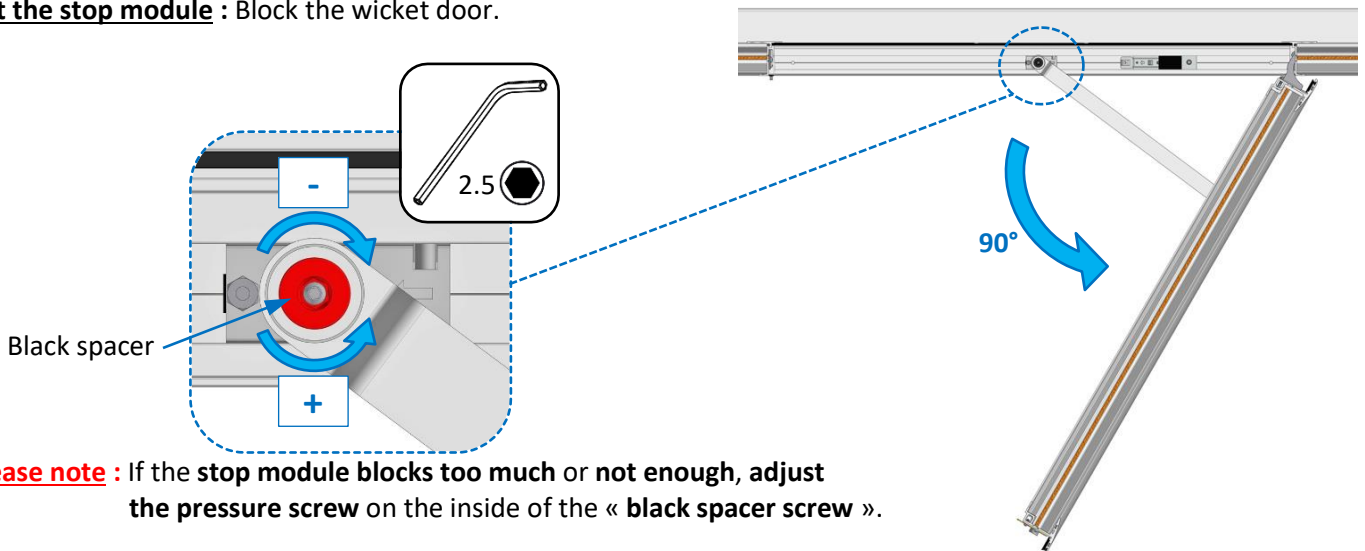
Repeat the process on the opposite side.

# Wicket door finalization

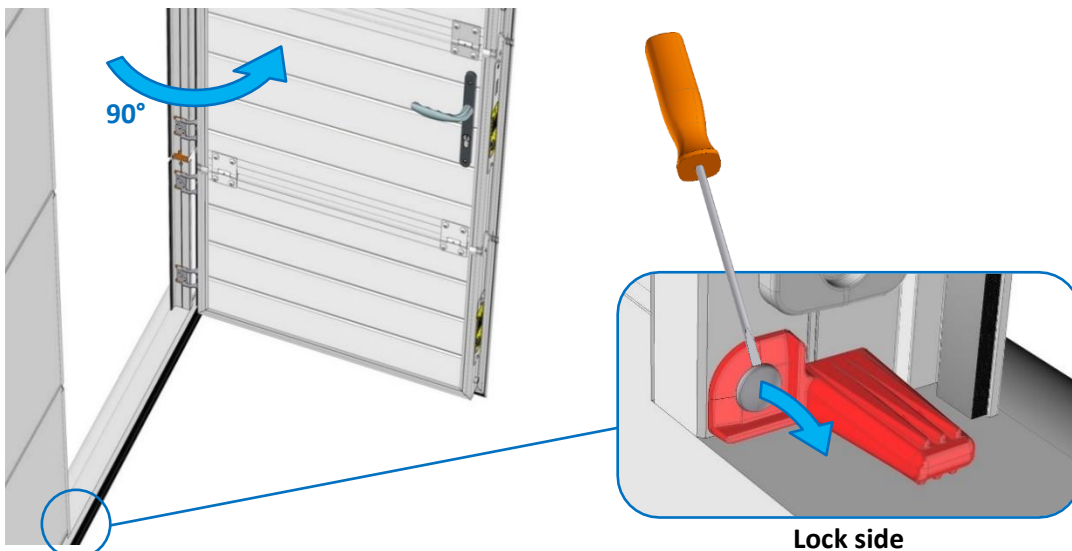
## Adjusting the stop module



**Test the stop module :** Block the wicket door.

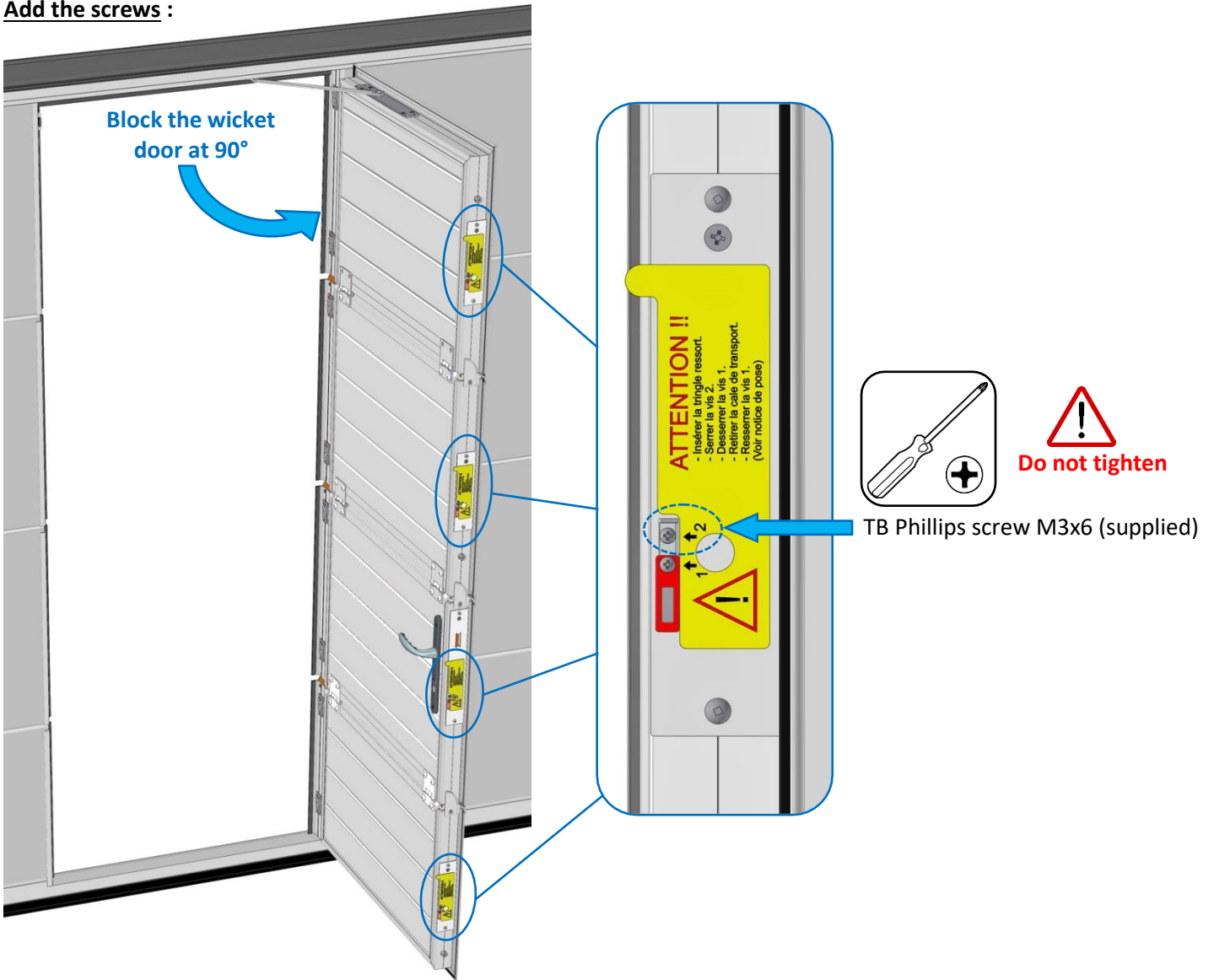


## Remove the shim

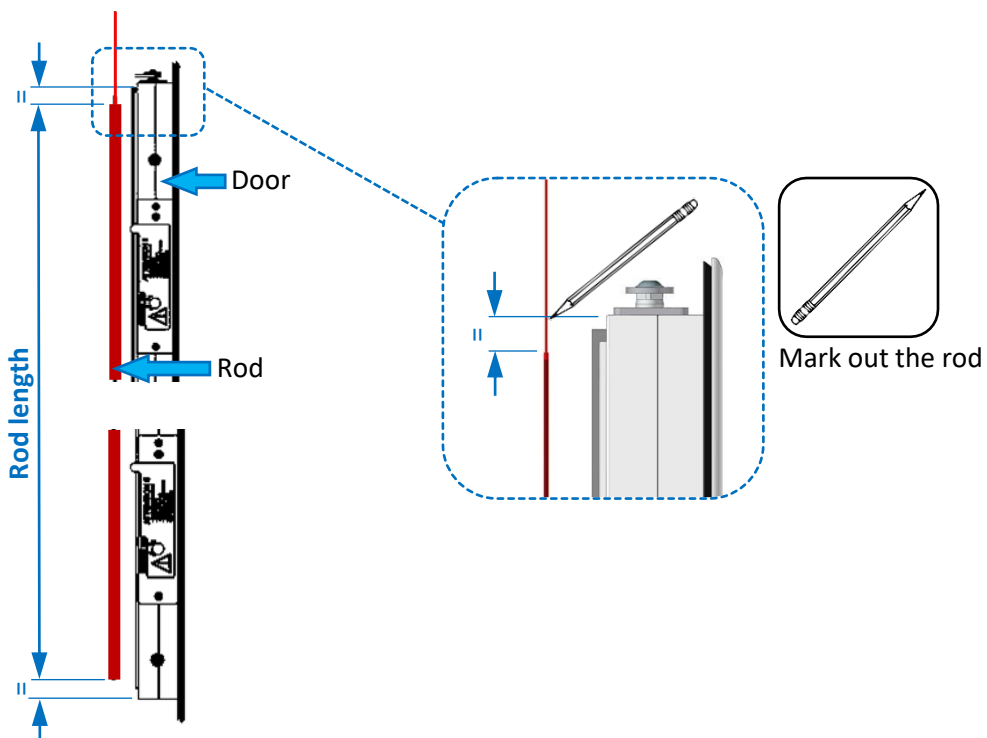


## Installing the door cable

**Add the screws :**

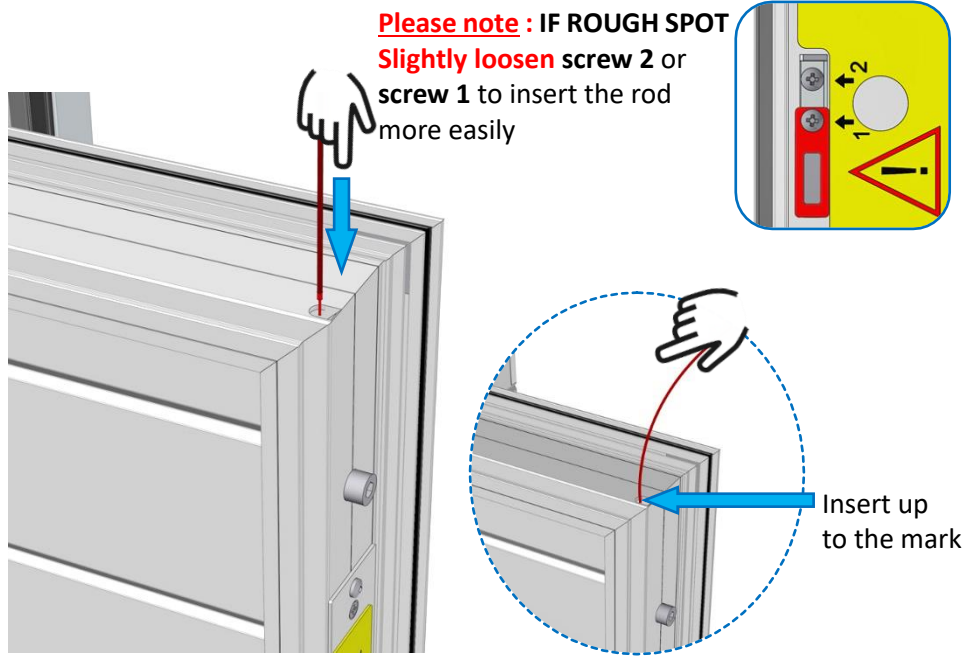


**Mark out the rod :**

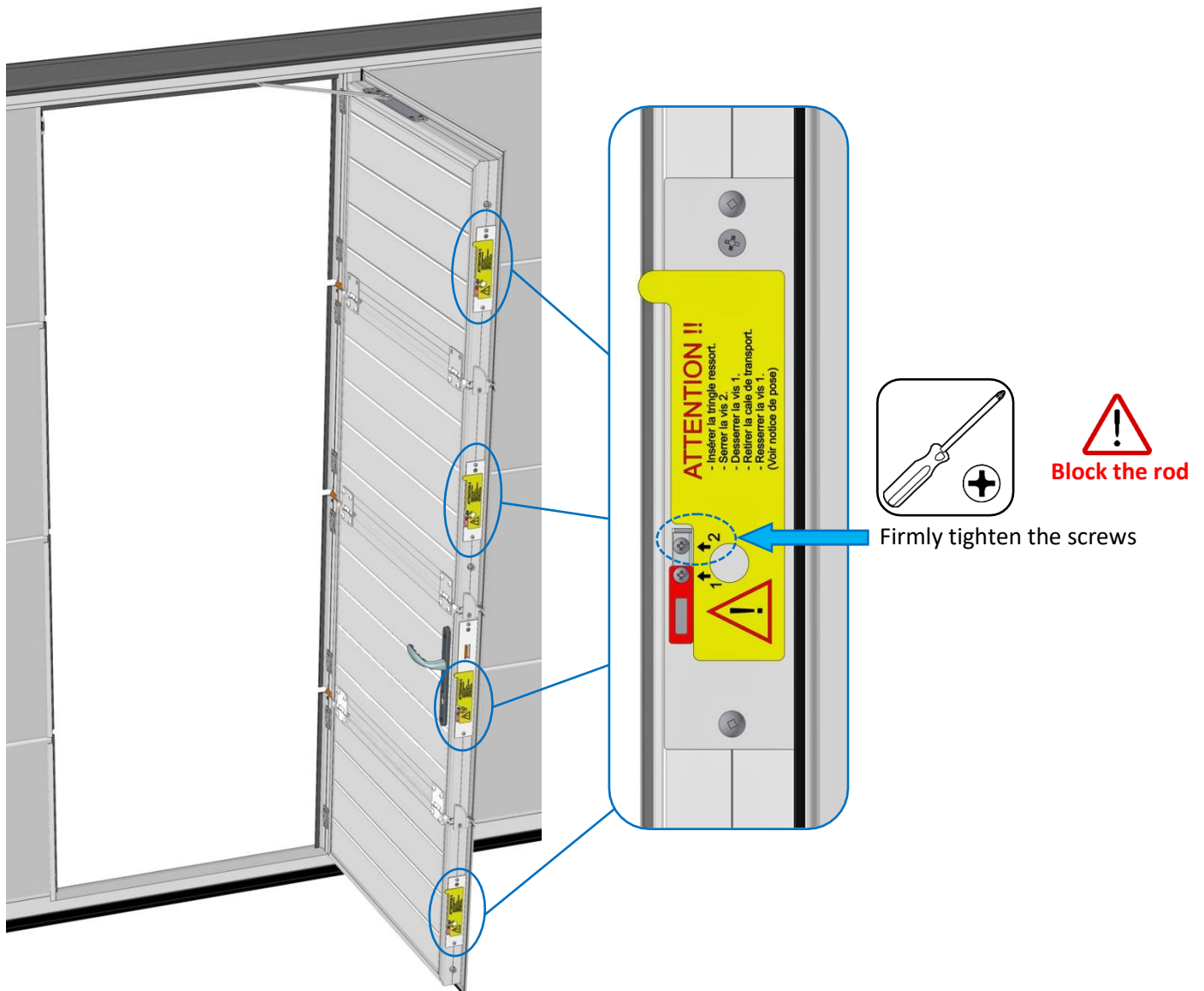




**Insert the rod :**

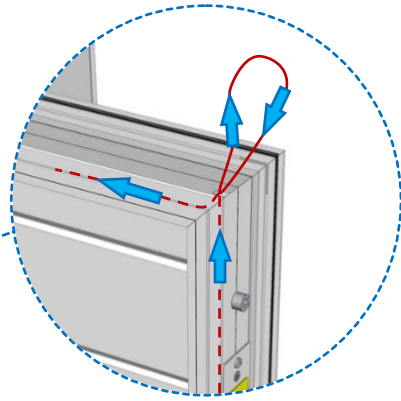


**Tighten the screws :**

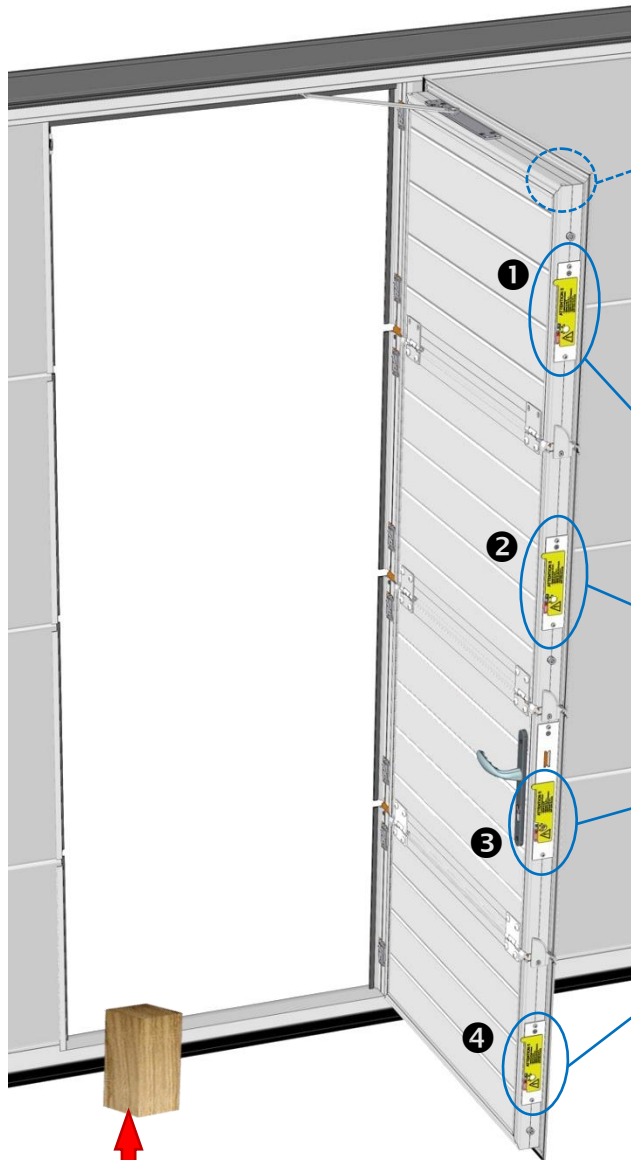




Reinsert the cable

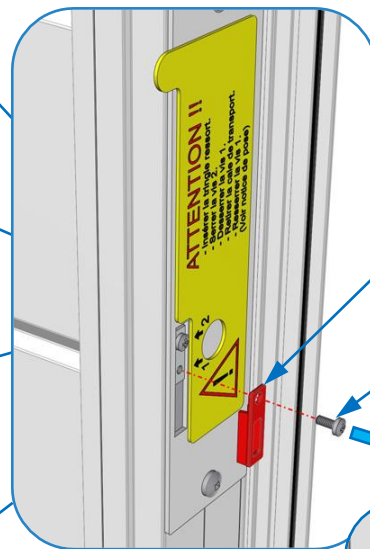


**IMPORTANT :** For points ①, ②, ③ and ④, carry out steps A and B for each shim.



**IMPORTANT :** Place an obstacle in the wicket gate's path, to prevent its closure. Leave it there until completing the « box operation tests ».

**A - Remove the locking shim**



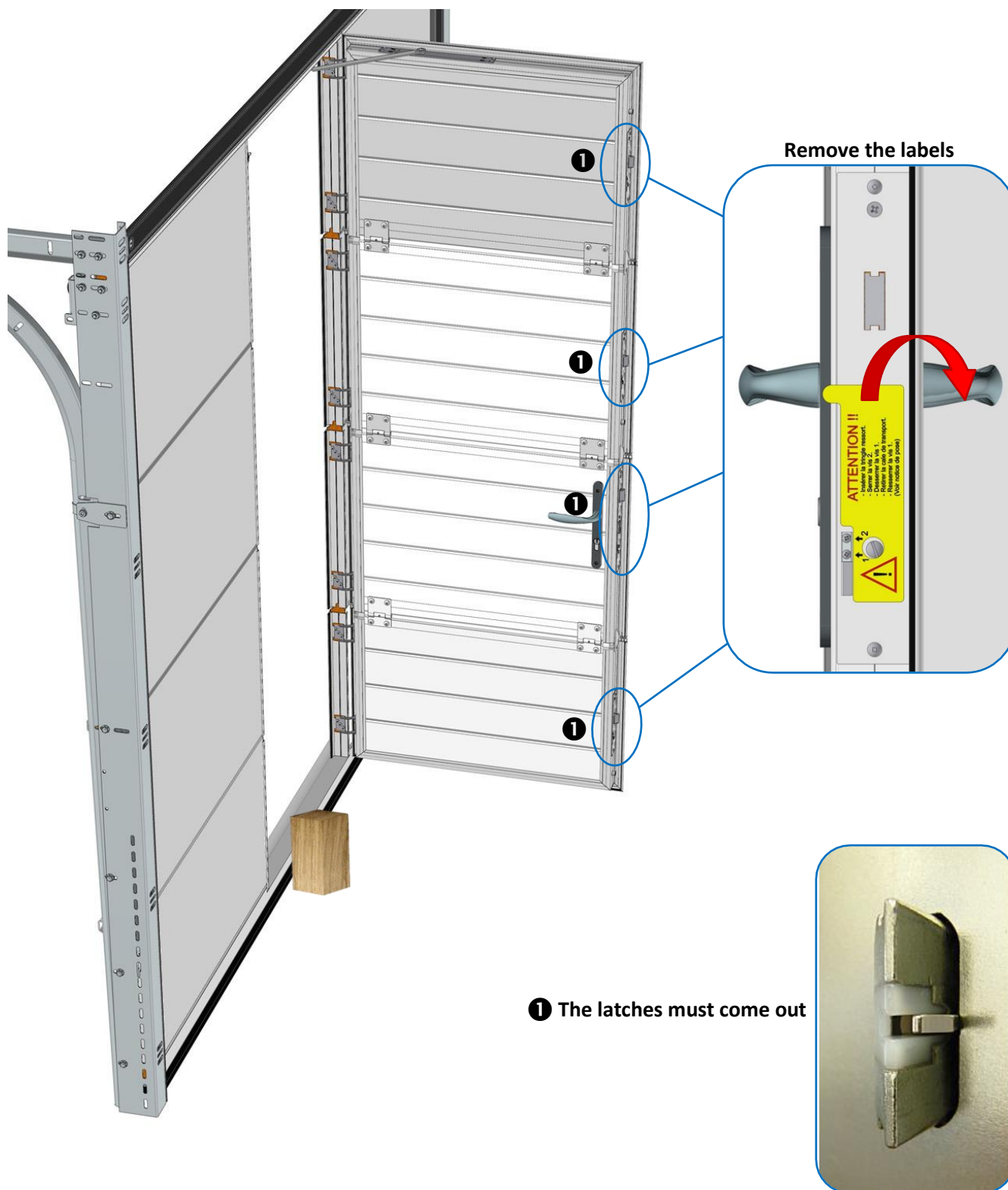
Locking shim

TB Phillips screw M3x6

**B - Screw back in and fully tighten**



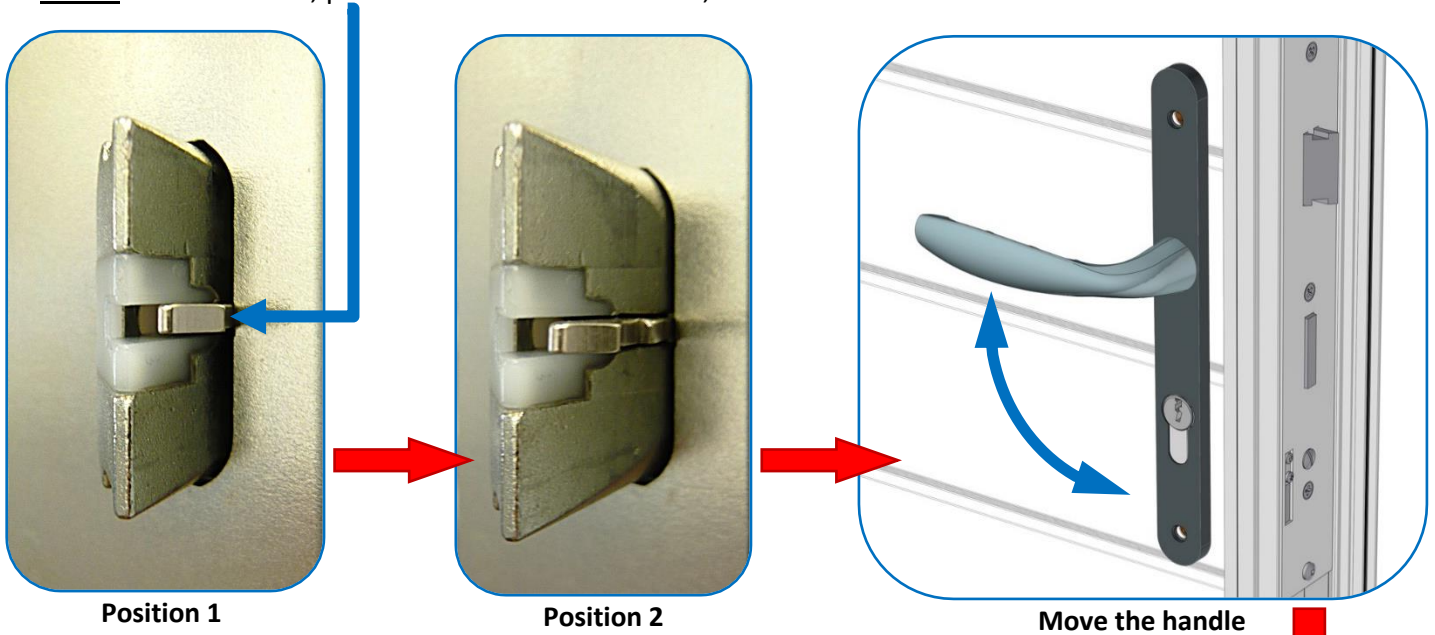
## Activating the lock



**DO NOT CLOSE THE WICKET DOOR**  
Proceed to the following section to test whether it is operating correctly...

## Box operation test

- **Test 1 :** For all boxes, press the release mechanism, the latches must come out at **POSITION 2**.



**IMPORTANT :**

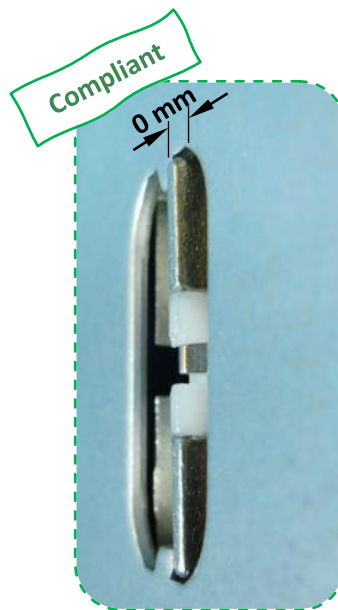
All the latches must go in and come out simultaneously and then return to POSITION 1.

Repeat the test 2 to 3 times...

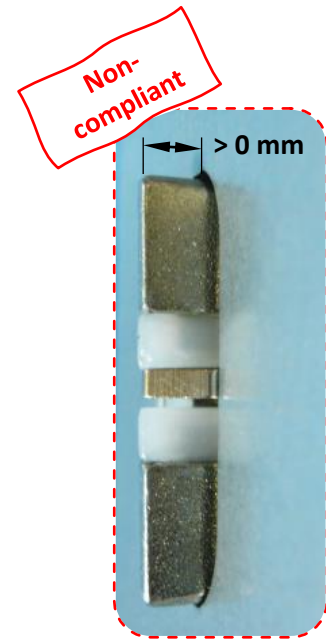
- **Test 2 :**



Move the handle and hold it down



The latches must be flush



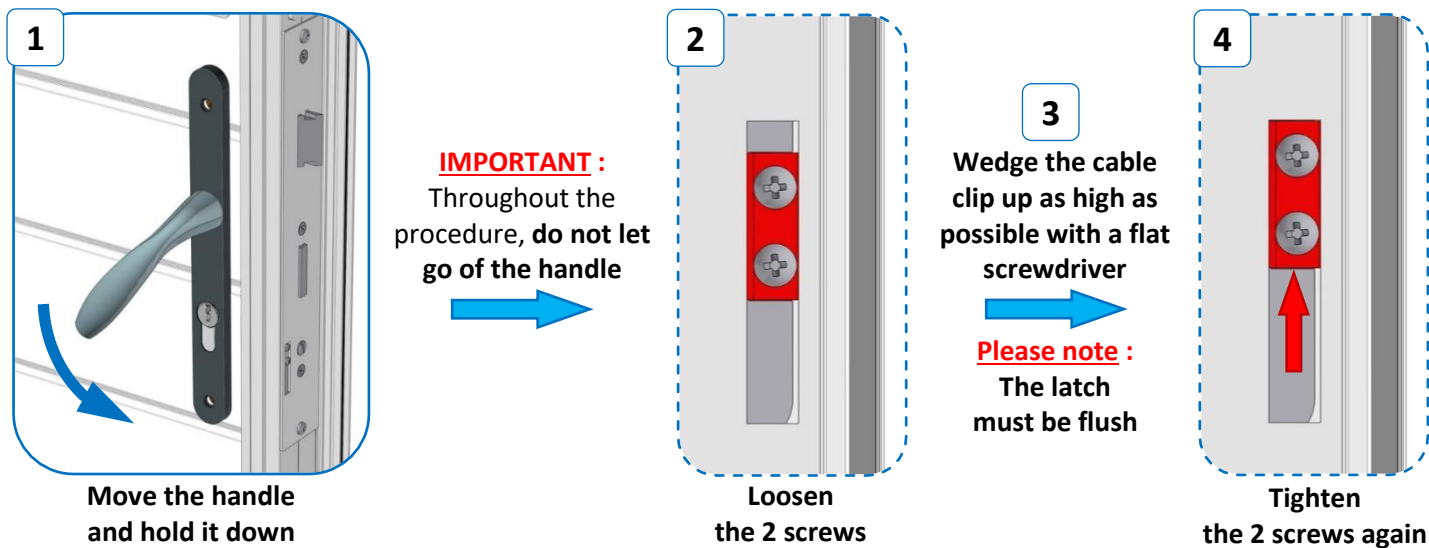
**!** If latch > 0 mm, go to « Tip test 2 »

**!** If the latches are not all functioning correctly, do not shut the wicket door, call Customer Services. **!**

**IF YOU SHUT THE WICKET DOOR, IT WILL BE IMPOSSIBLE TO OPEN IT AGAIN.**

## Tip test 2

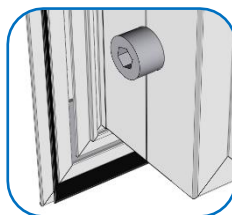
If one or all of the latches are not flush, follow the procedure below :



Before closing the wicket door, **check** that the latches are flush when holding the handle down.

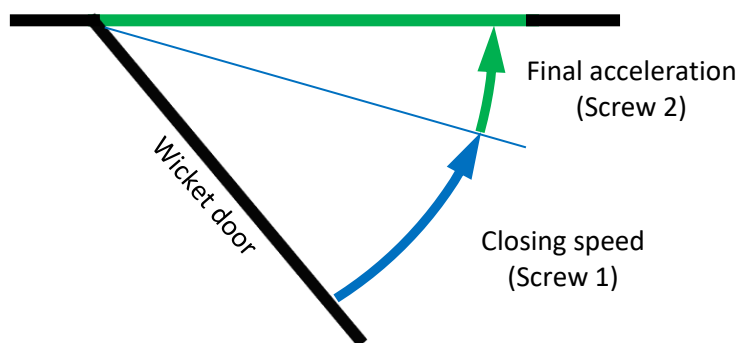
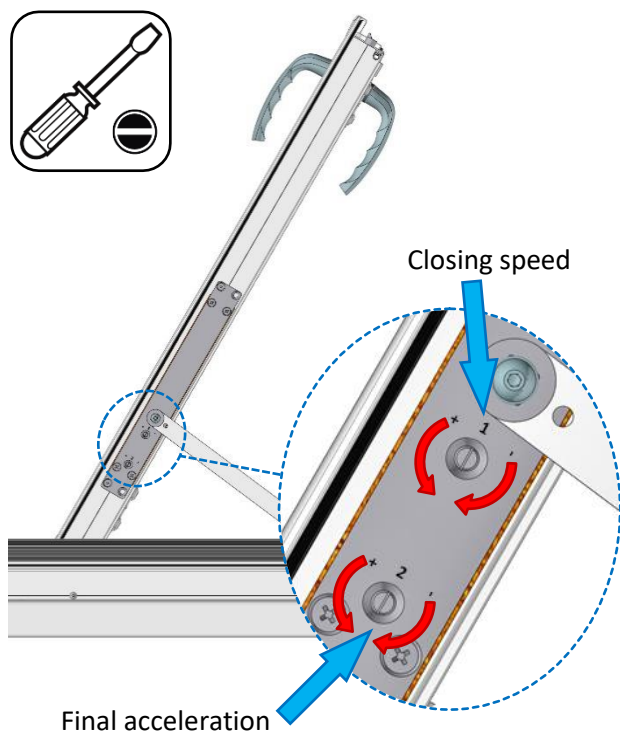
**Please note :** If the wicket door becomes stuck after closure, refer to the « **Solution** » section on the following page.

If necessary, **check** and **tighten** the centralizers again.



## Adjusting the door closure

Adjust the settings if necessary :



**Please note :** If there is not much space (wicket door/header) at the top, use the flat Allen key provided.



**Solution « if the lock is stuck »**

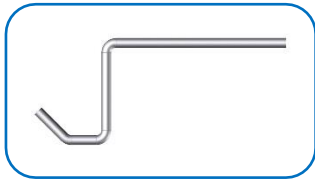


Depending on the specific case, it may be necessary to cut the spring rod between the panels.

**Identify the blocked part inside :**

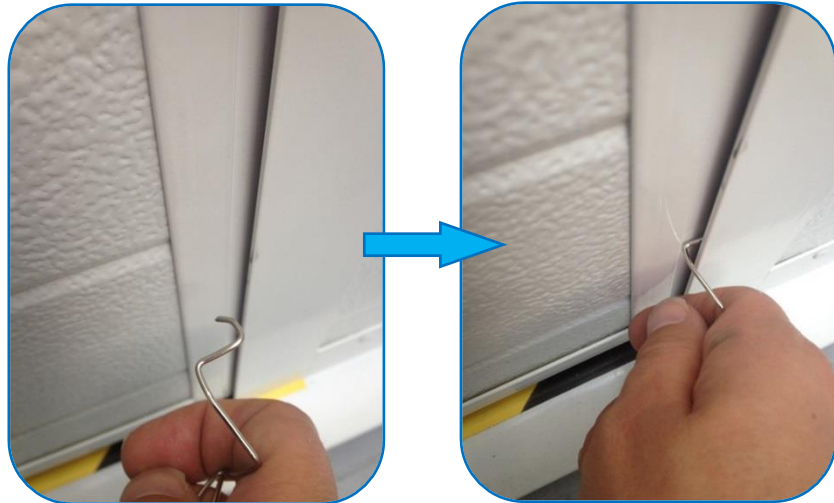
Lower the handle and gently push the door on each panel to identify the blocked area.

**Make the hook**

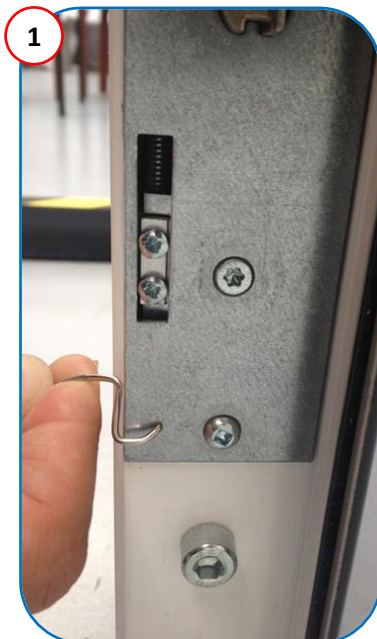


Actual size

**Slide the hook into the opening of the wicket door (lock side)**

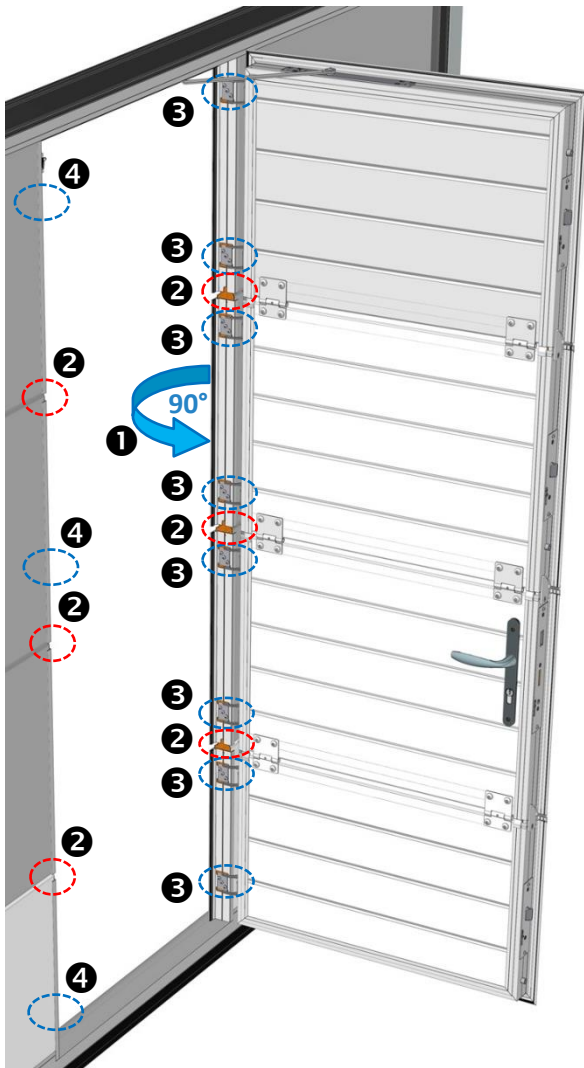


Then carry out the steps below, to hook one of the locks while holding the handle down.



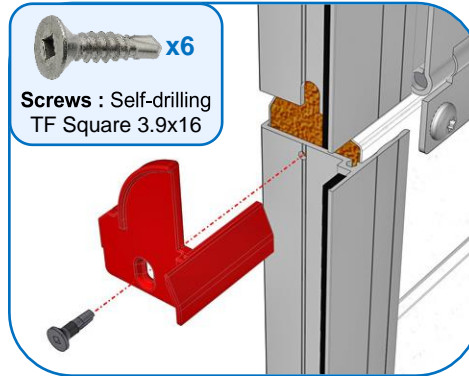
Once open, return to the « **Box operation test** » section and set the latches correctly by following the test steps.

## Finishes : Plugs, split hinges and strike plates

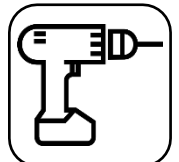


### 2 PLUGS

Assemble them on the frame profiles



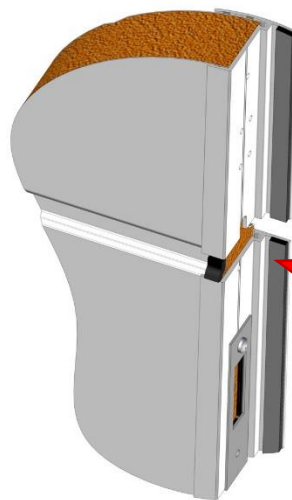
**Screws : Self-drilling TF Square 3.9x16**  
x6



### SPECIFIC CASE

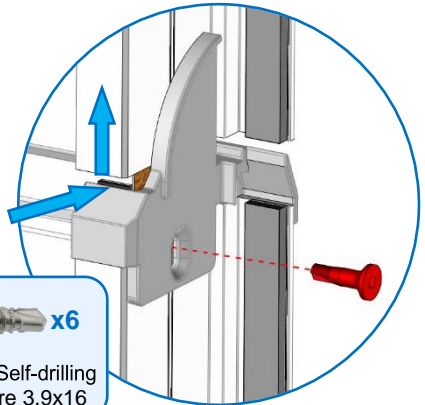
#### 2 PLUGS : Single-grooved panel

Move the guides away slightly



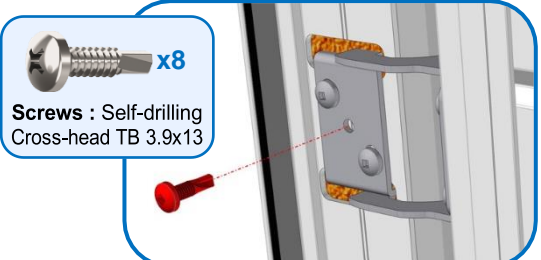
**Fragile part**

**Please note :** The seal should protrude slightly at the top but not at the side.



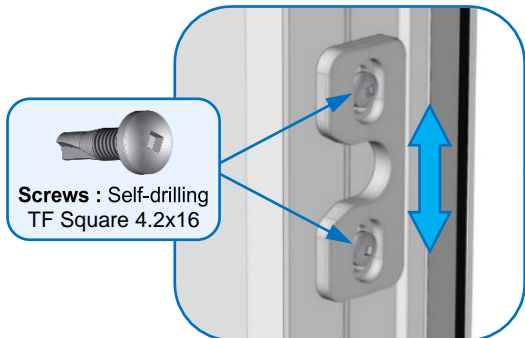
**Screws : Self-drilling TF Square 3.9x16**  
x6

### 3 SPLIT HINGES

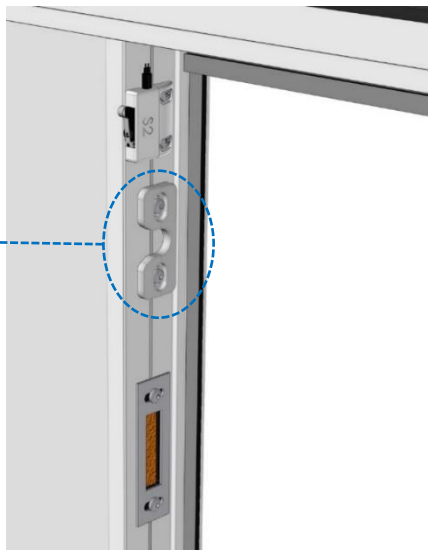


**Screws : Self-drilling Cross-head TB 3.9x13**  
x8

### 4 STRIKE PLATES



**Screws : Self-drilling TF Square 4.2x16**

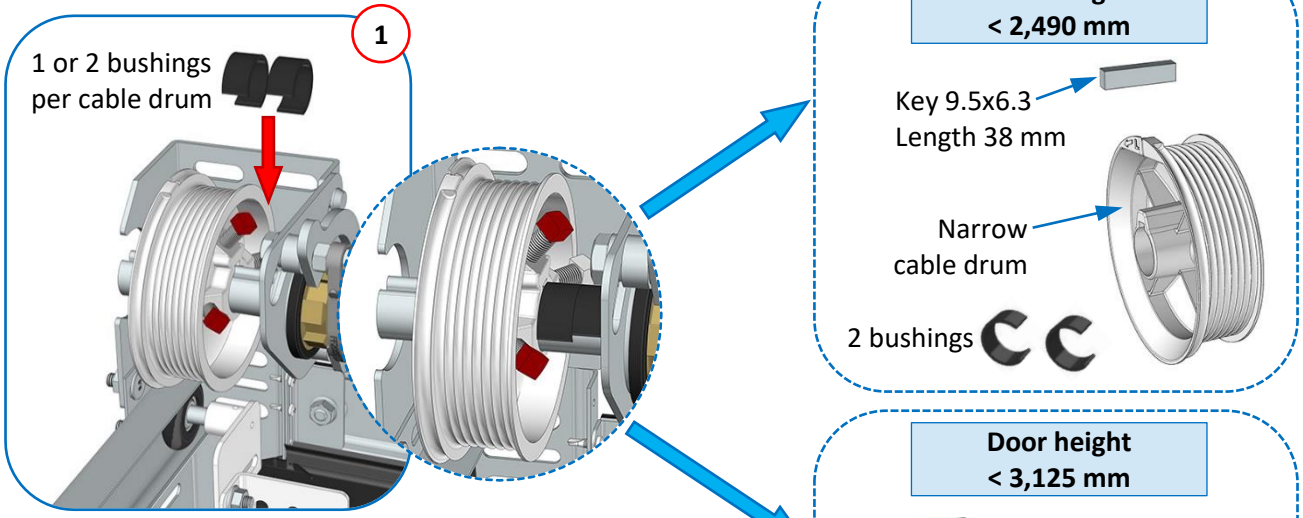


Tighten the screws so that the strike plates move slightly. Close and reopen the wicket door ; the strike plates will move into position. Fully tighten the screws.

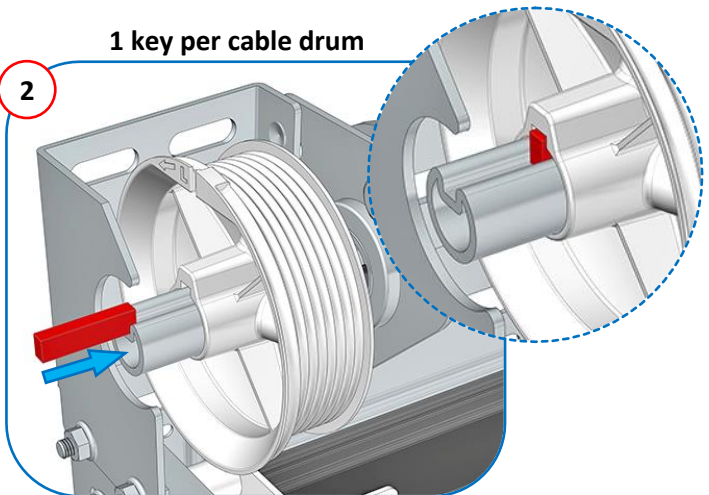
# Cable installation

## Positioning the cable drums

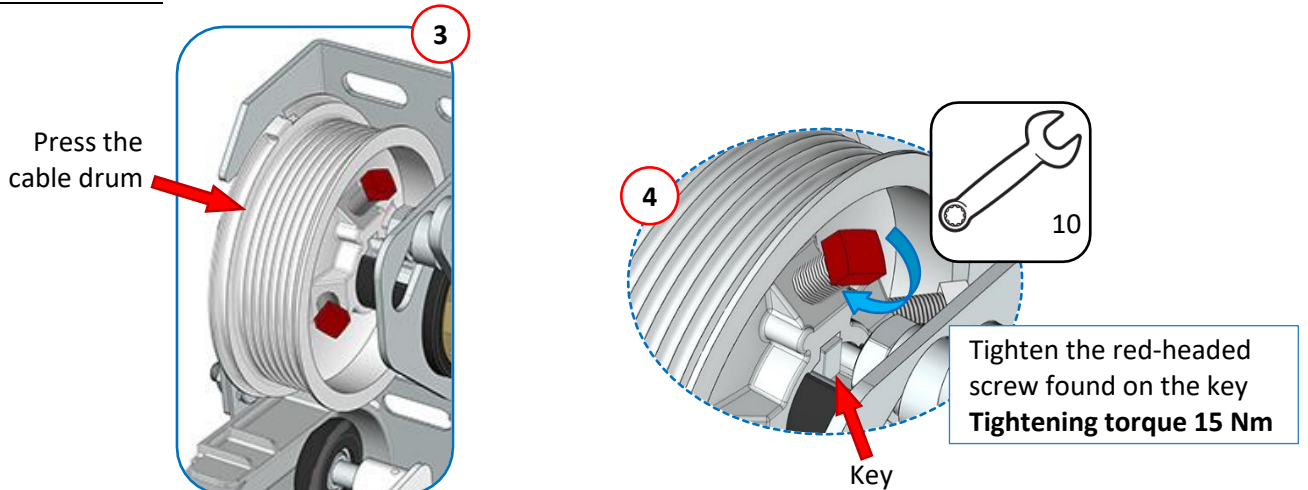
### Installing the bushings for the 2 cable drums :



### Installing the keys on the cable drums :

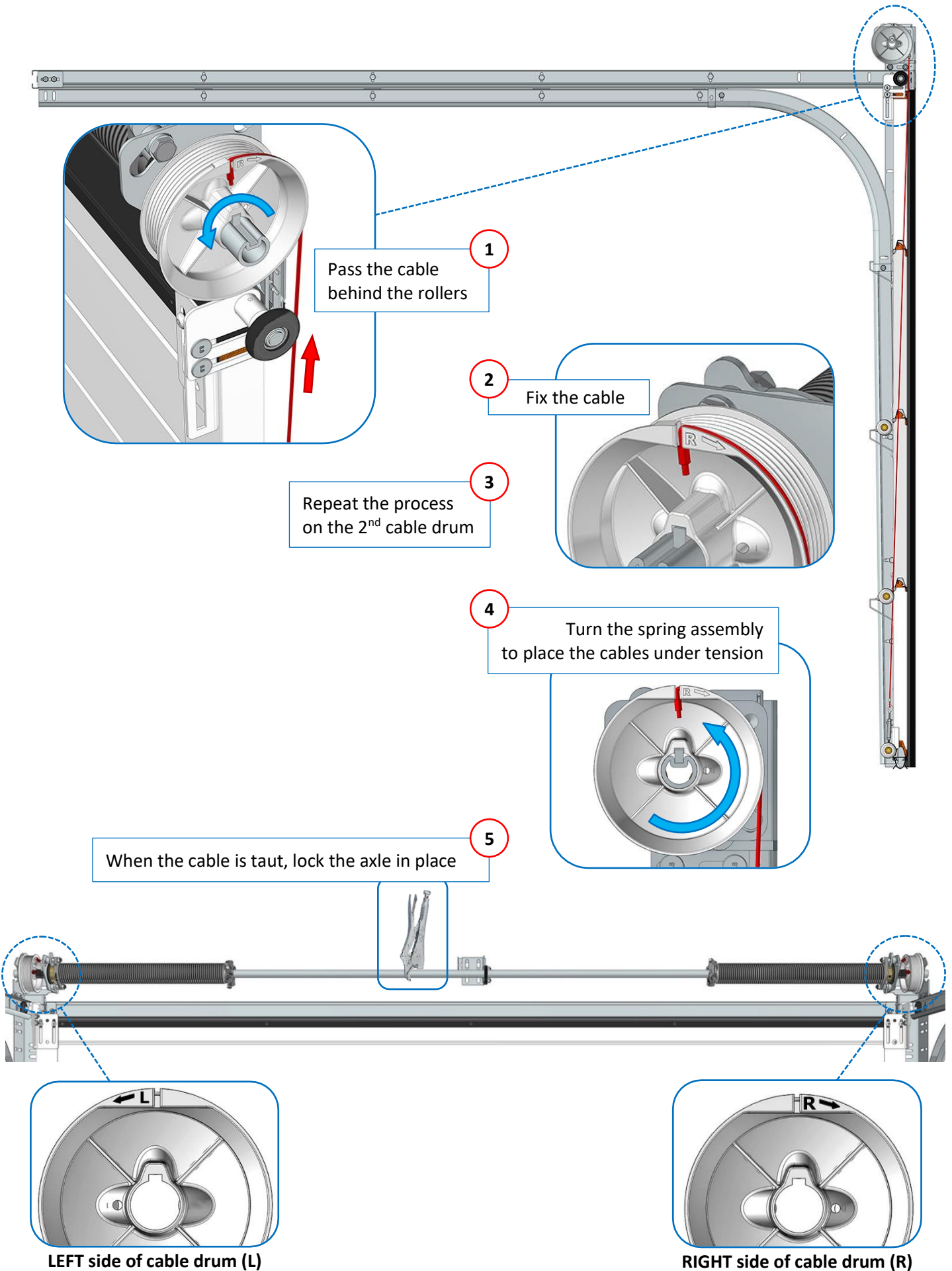


### Block the cable drums :





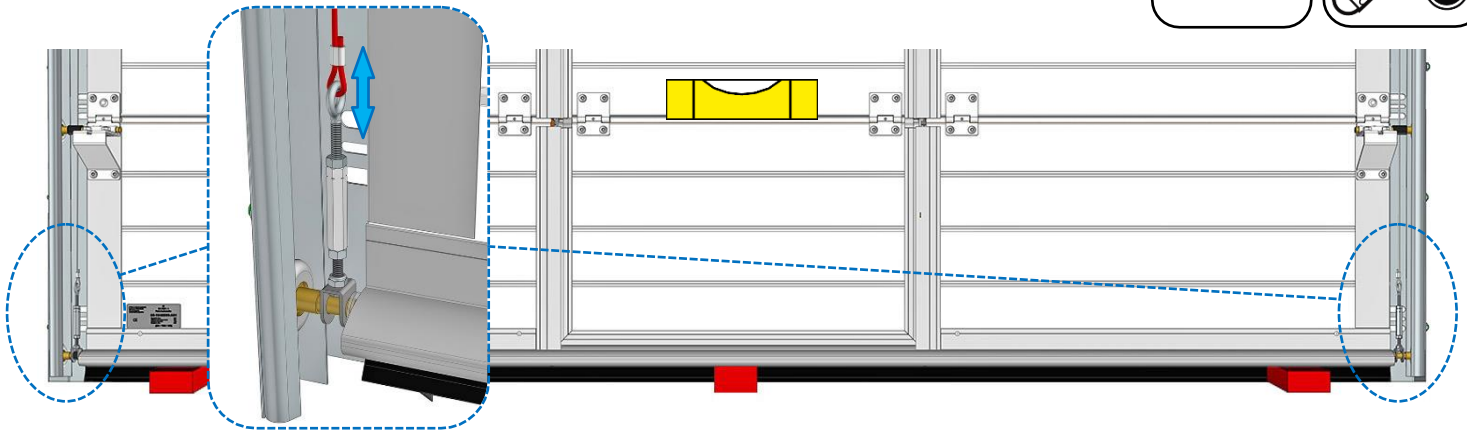
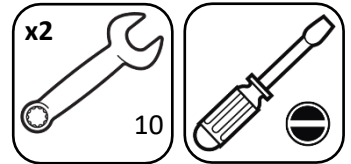
## Routing the cables around the cable drums



## Checking the tension of the cables

**Compare the tension of both cables, adjust if necessary** (standard 60 mm threshold shown) :

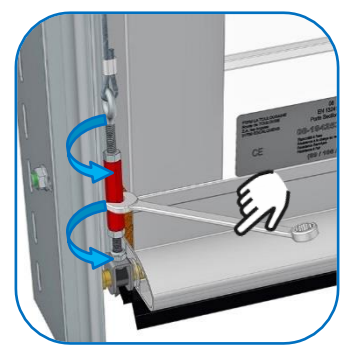
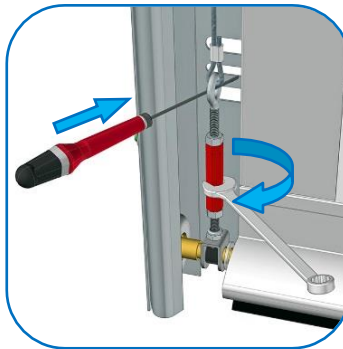
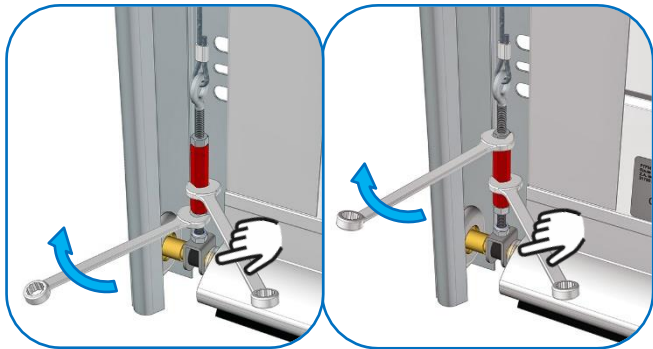
**Information** : Adjustment is identical for a reduced 30 mm threshold.



**1** Loosen the nuts

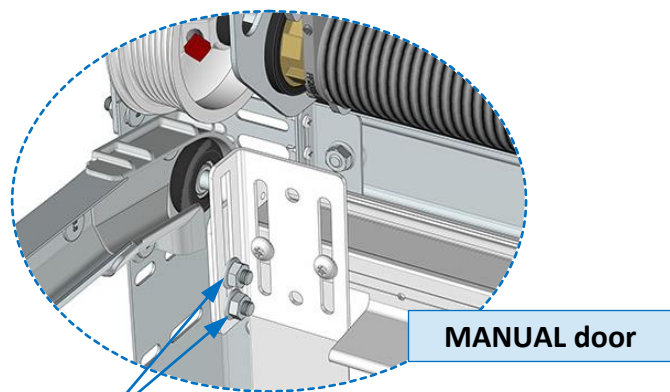
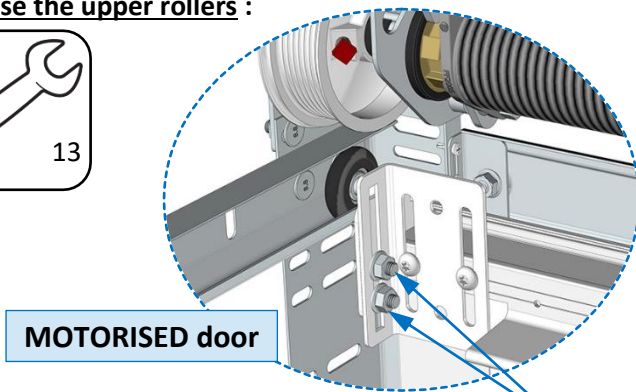
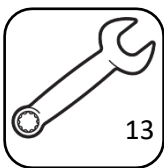
**2** Tension the cable

**3** Tighten the nuts



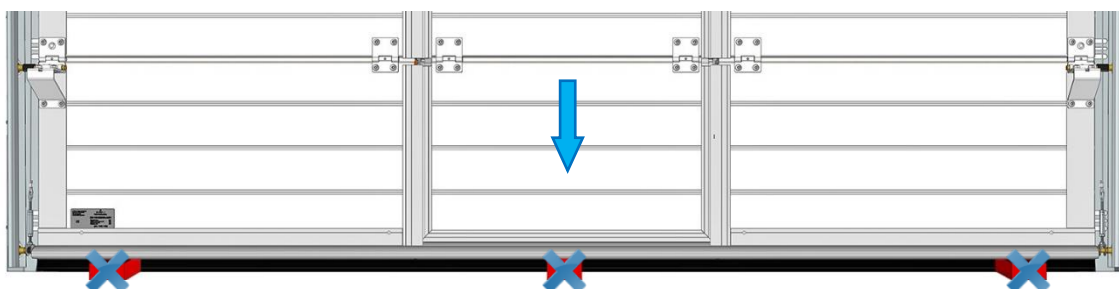
**Do not over tension the cable, see**

### Release the upper rollers :



Loosen the nuts

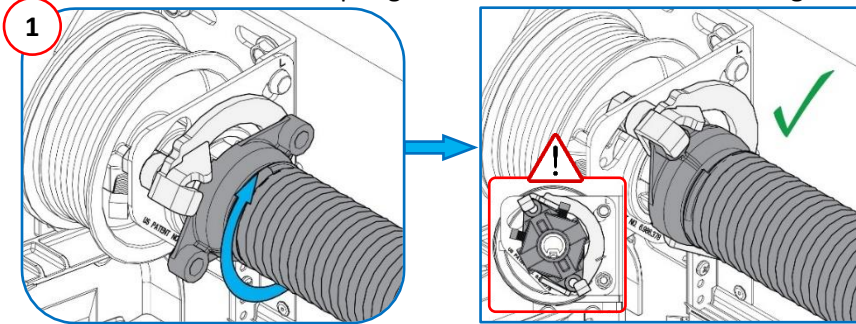
### Remove the shims and lower the shutter :



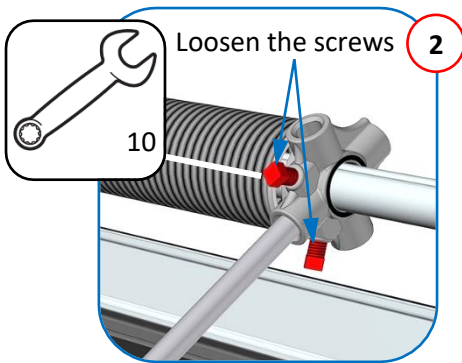
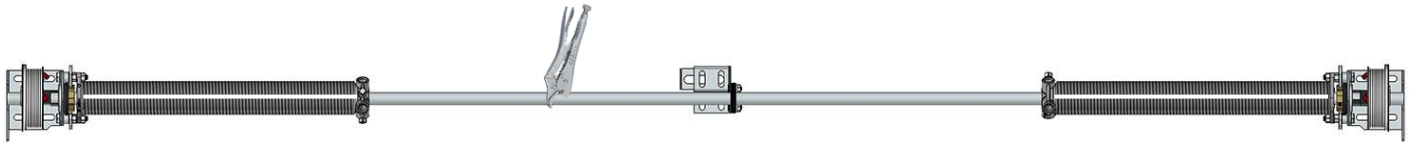
# Spring adjustments

## Spring tension

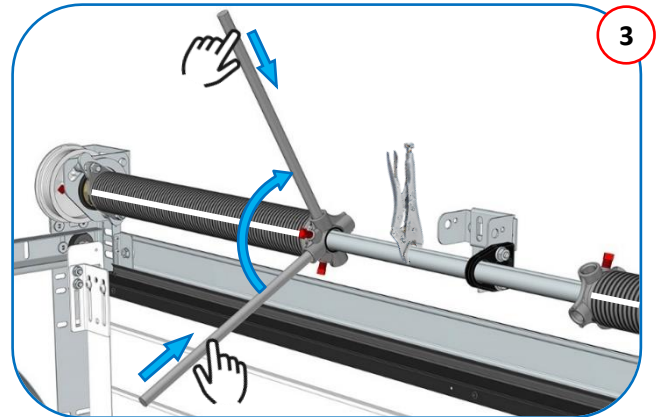
**Reminder :** Insert each spring into the 2 hooks on the anti-fall guard



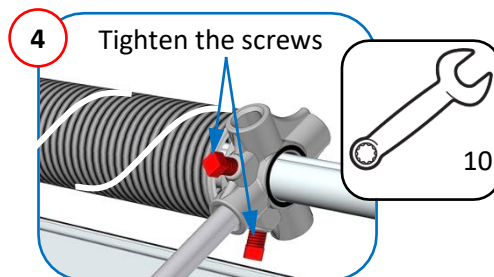
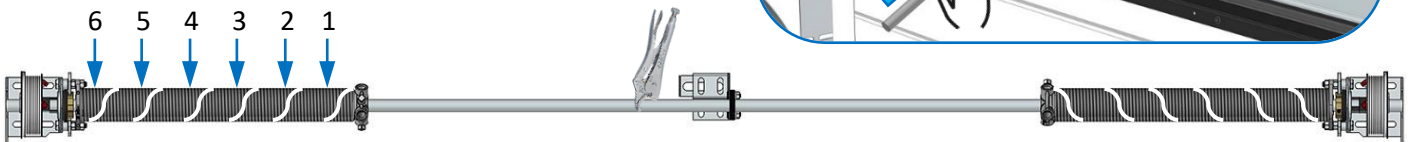
**Check both springs are positioned correctly inside the anti-fall guard supports before tensioning the springs.**



**Tighten the bottom springs towards the top, according to the number of turns shown on the label stuck to the axle.**



**For example :** Number of turns



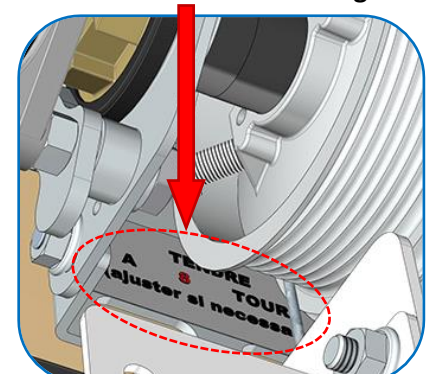
**Tightening torque 20 Nm**

## Table for number of spring tension turns

Passage height (mm)	Number of tension turns
≤ 1,820	6
From 1,821 to 1,998	6.5
From 1,999 to 2,209	7
From 2,210 to 2,347	7.5
From 2,348 to 2,519	8
From 2,520 to 2,714	8.5
From 2,715 to 2,885	9
From 2,886 to 3,000	9.5

**Adjust the settings if necessary**

**Number of turns shown on the right bearing**



## Adjusting the rollers

**1** Close the shutter

**2** **MOTORISED door**

Adjust the upper rollers

**2** **MANUAL door**

Adjust the upper rollers

**3** **Lateral hinges**

Locking screw

**3** **OPTION tandem**

Locking screw

**4**

**OR**

**3**

**4**

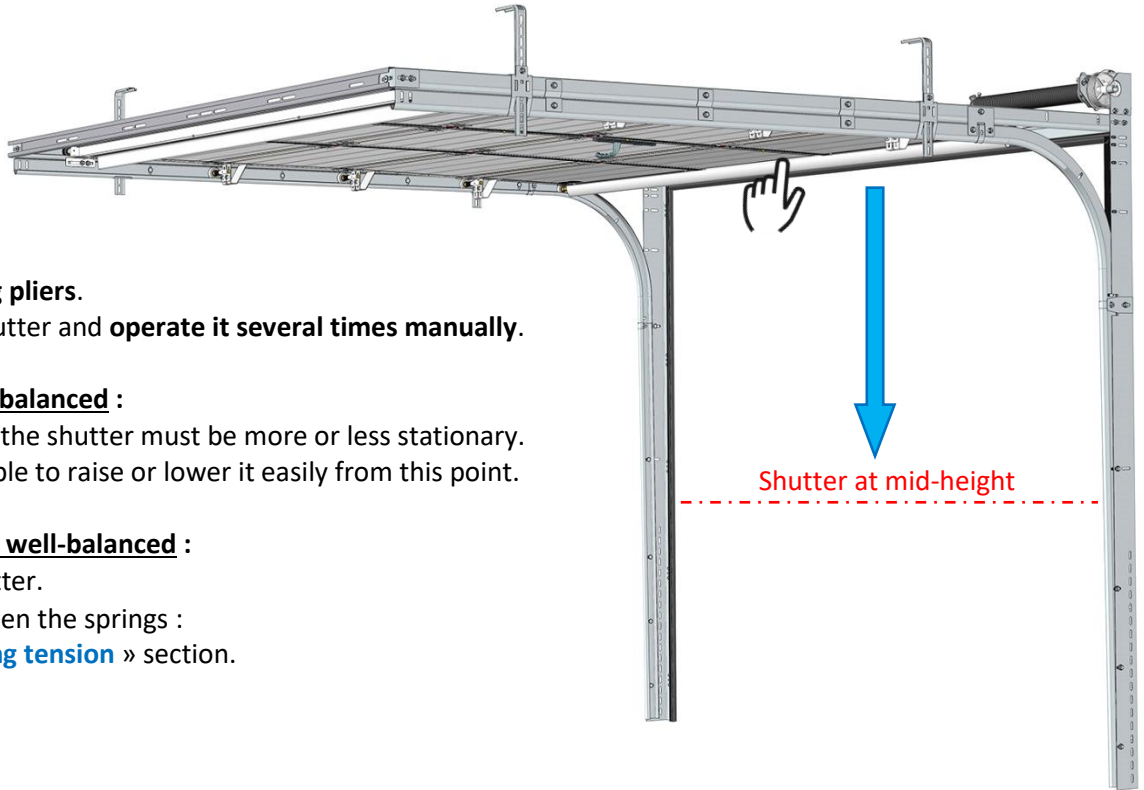
**Tools:** Power drill, 30mm hex key, 13mm wrench

**Warnings:**

- The roller rod must be able to turn freely.
- Do not flatten the vertical seals of the shutter.

**Please note :** If the shutter jams at the end of the closing operation, move the bottom of the rails apart slightly.

## Checking the balance



Remove the **locking pliers**.  
Gently close the shutter and **operate it several times manually**.

### The shutter is well-balanced :

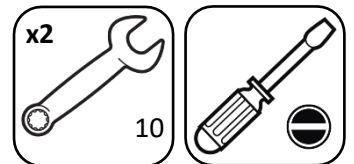
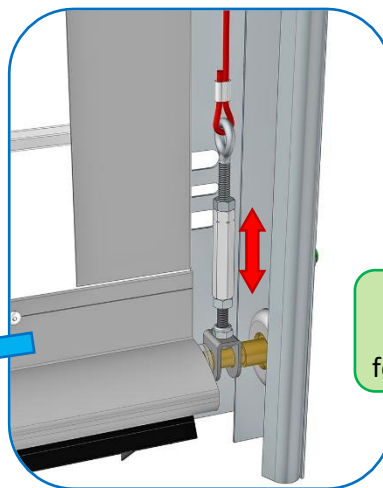
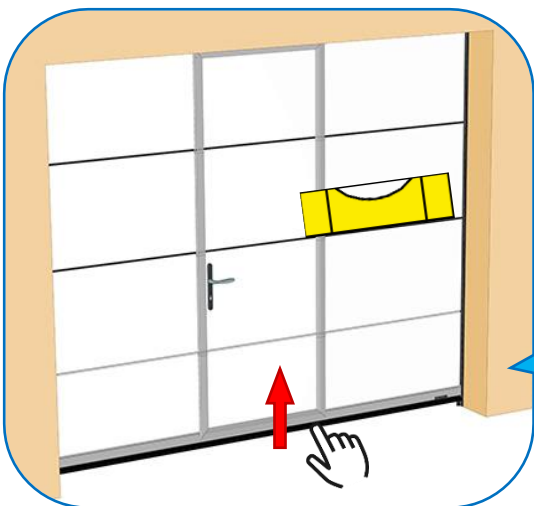
- At mid-height, the shutter must be more or less stationary.  
You must be able to raise or lower it easily from this point.

### If the shutter is not well-balanced :

- Lower the shutter.
- Tighten or loosen the springs :  
See the « **Spring tension** » section.

## Finishes

### Leveling the shutter

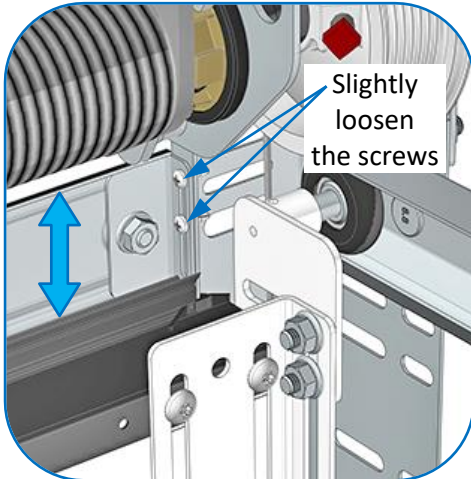


**Information :**  
Adjustment is identical  
for a reduced 30 mm threshold.

To adjust the tensioner, see the « **Checking the tension of the cables** » section.

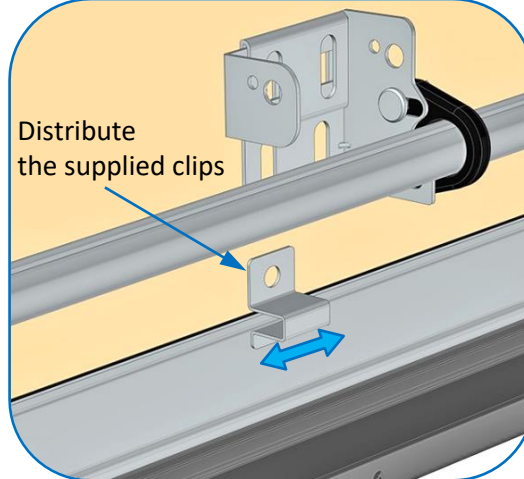
## Adjusting and fixing the fascia

### Adjusting the fascia

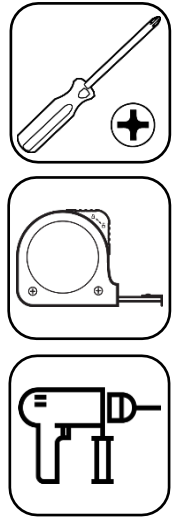


Repeat the process on the opposite side

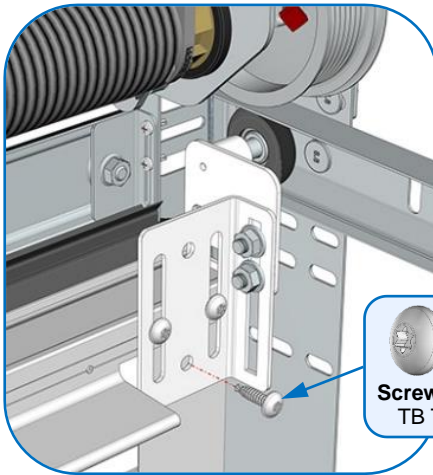
### Fixing the fascia



Use appropriate fittings for the support (screws and pins not supplied)



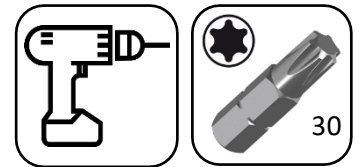
## Fixing the upper roller supports



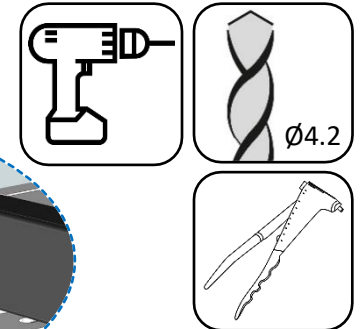
Add



Repeat the process on the opposite side.

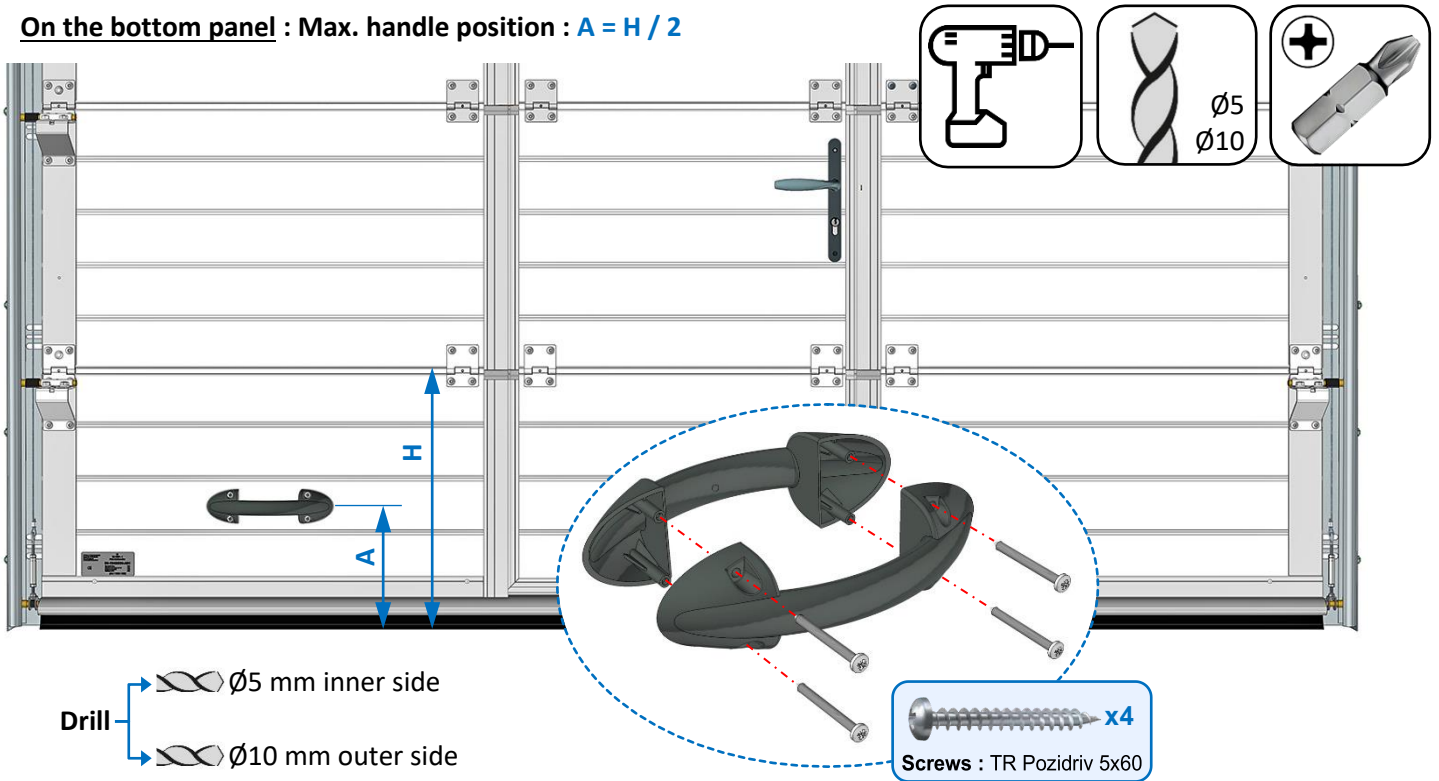


## Fixing the end position clips (manual door)



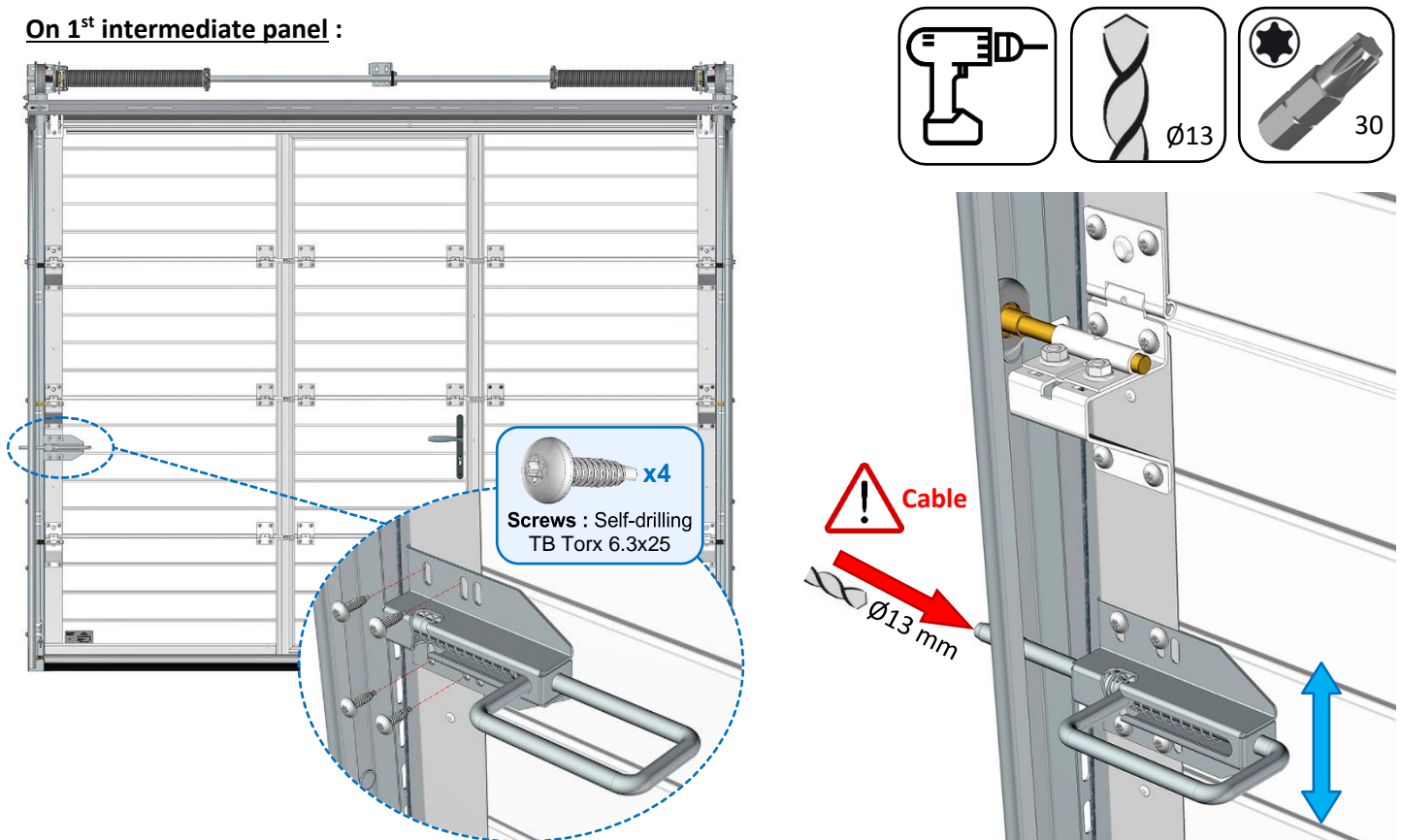
## Assembling the handle

On the bottom panel : Max. handle position :  $A = H / 2$

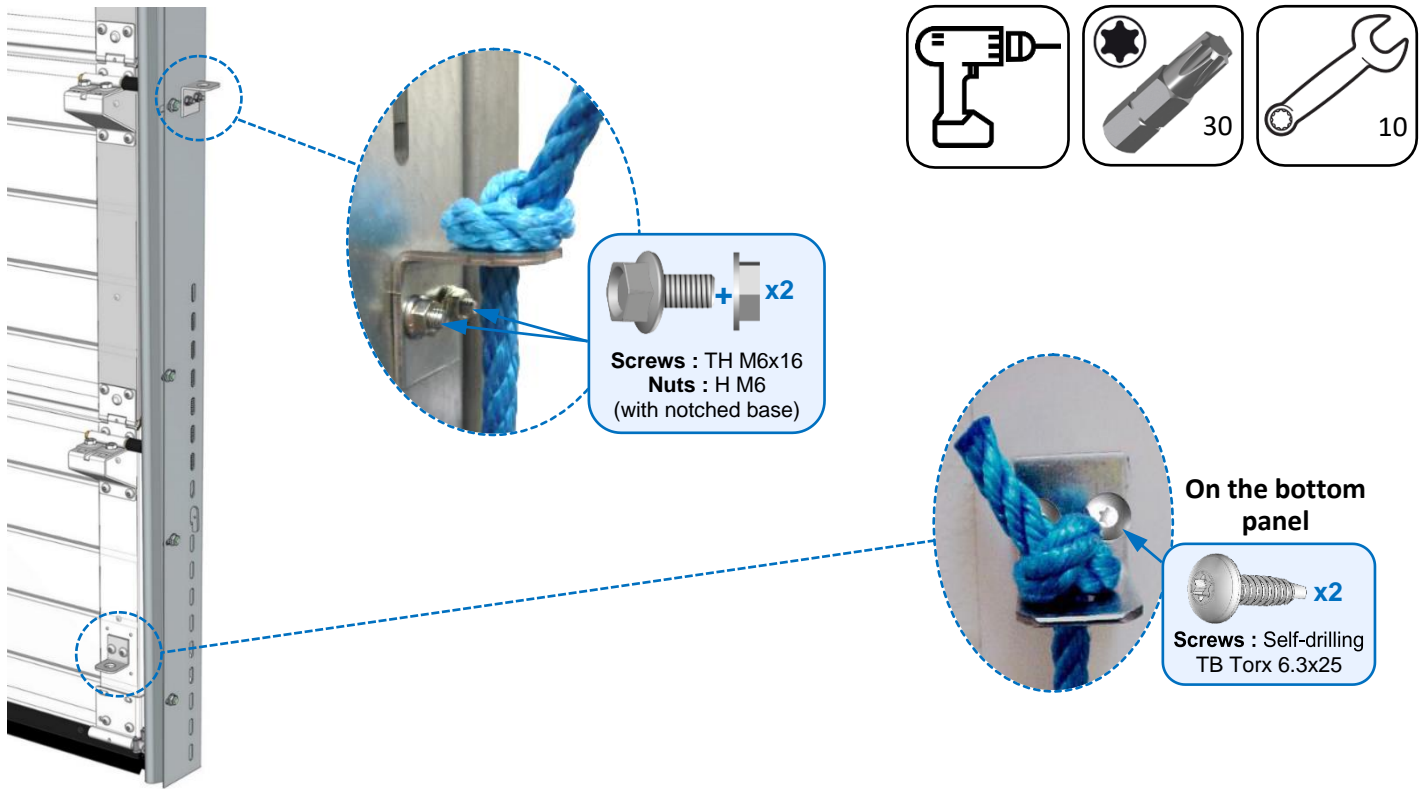


## Assembling the latch (optional on motorised doors)

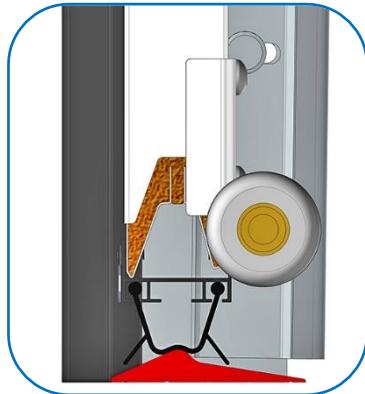
On 1<sup>st</sup> intermediate panel :



## Installing the pull cord (if manual door)



## Weather seal (optional)



Weather seal section to be glued to the floor between the rails.

Refer to manual : Weather seal.

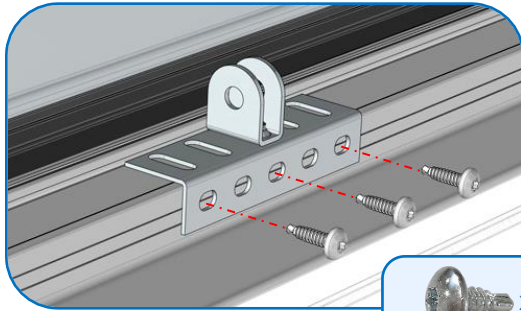
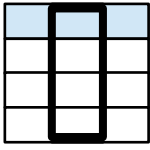
## Greasing the bottom of the rails





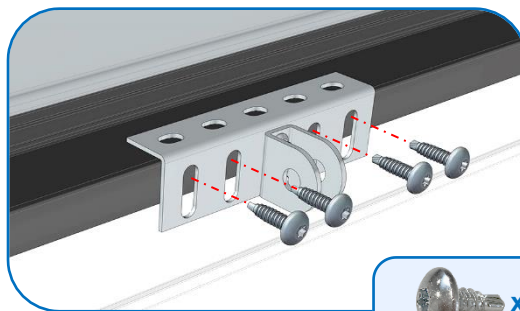
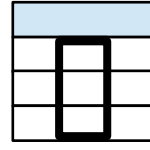
## Fixing the « SOMMER » operator to the back bar

Full-height wicket door

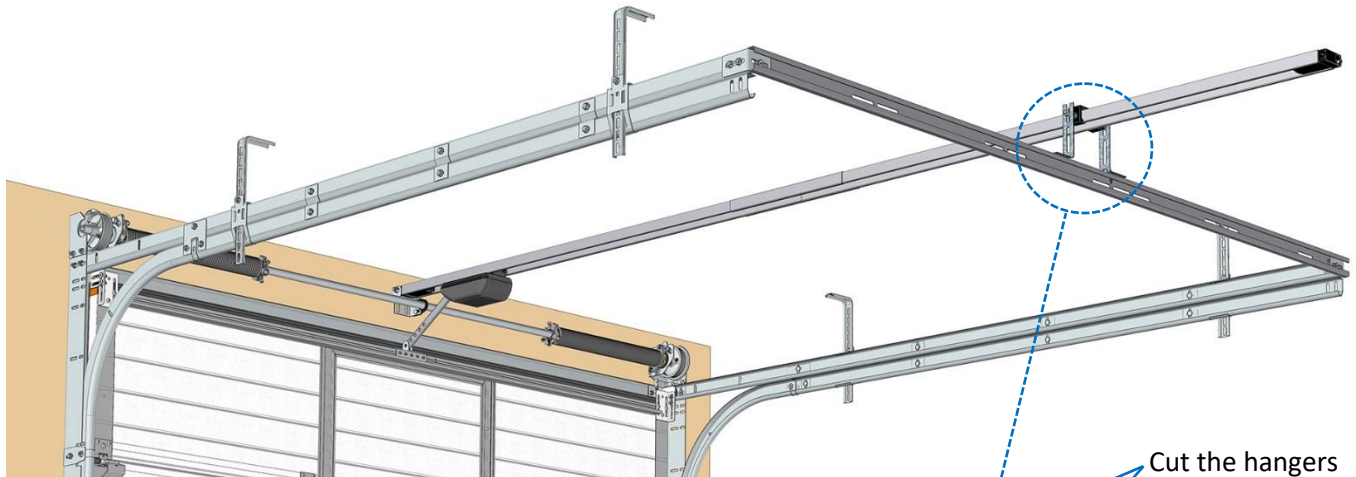
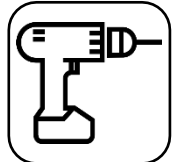


Screws : Self-drilling  
TB Torx 6.3x16

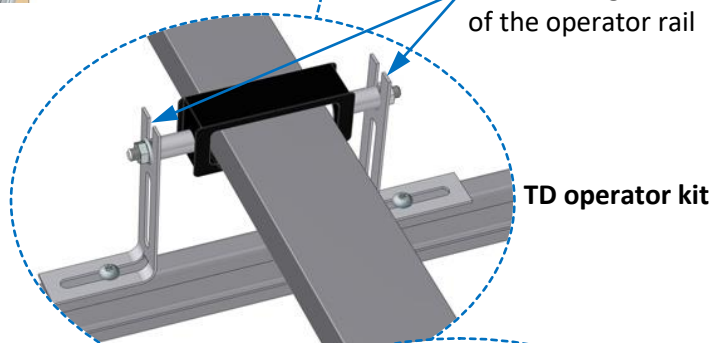
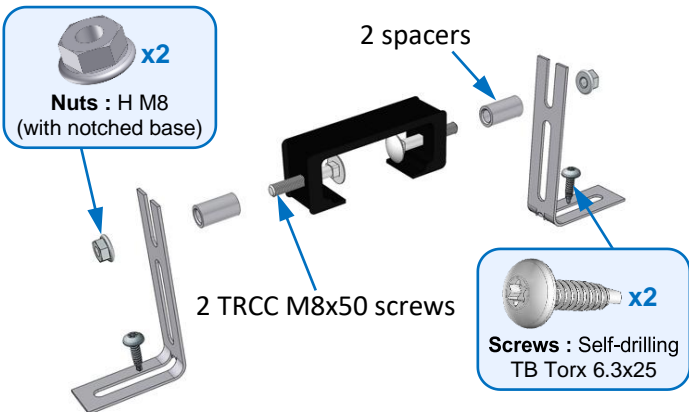
Intermediate wicket door



Screws : Self-drilling  
TB Torx 6.3x16



Cut the hangers  
of the operator rail

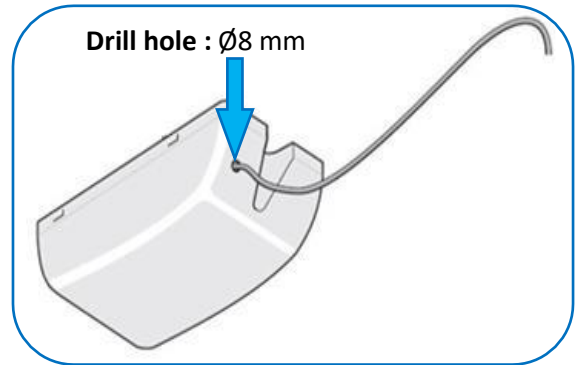
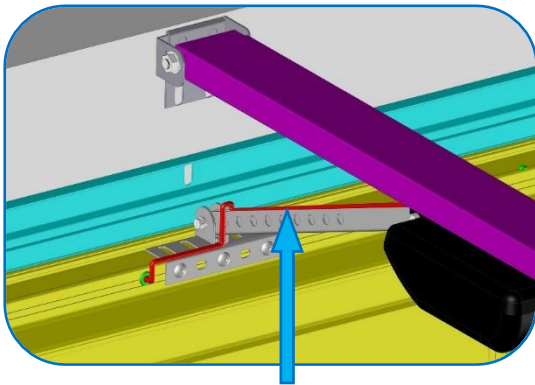


Pro<sup>+</sup> operator kit



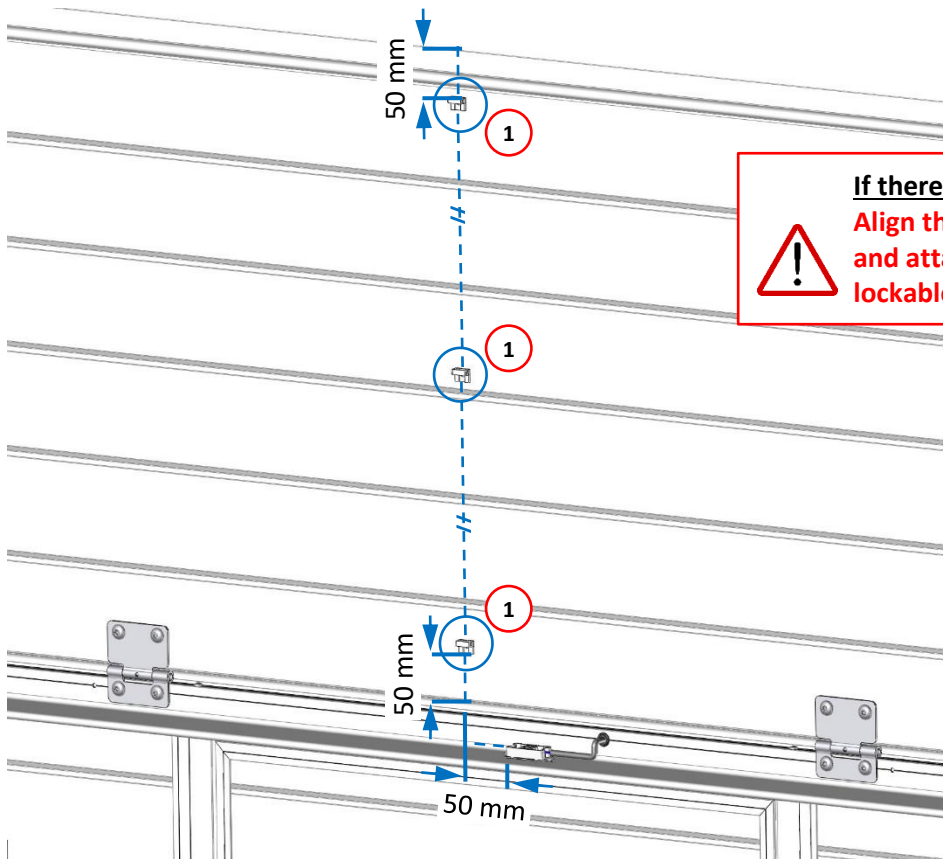
# Micro switch & contact radio

## Connecting the safety micro switch to the TD operator (wiring)

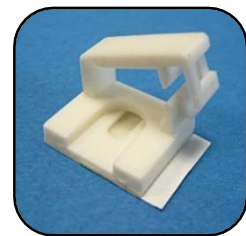


**If there are 3 or 4 panels :** Pass the electric cable of the micro switch along the length of the operator arm.

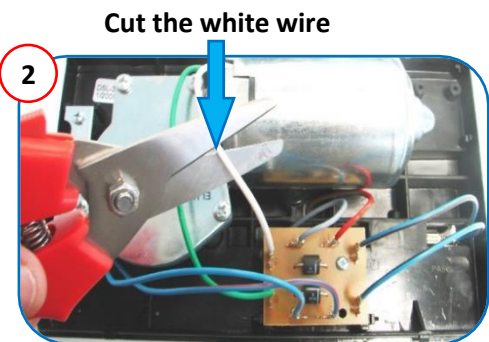
Unclip the cover



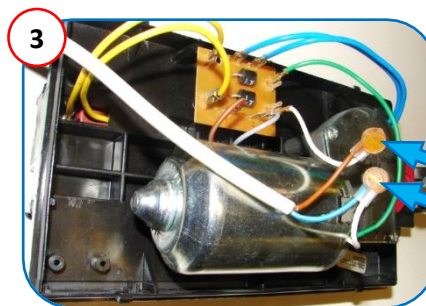
**If there are more than 4 panels :**  
 ⚠️ **Align the cable towards the operator arm and attach it to the panels using the lockable adhesive cable-clamps (provided).**



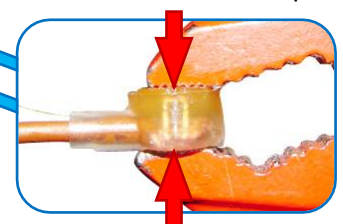
Lockable adhesive cable-clamp



**2** Cut the white wire



Connect the 2 white wires on the operator in sequence with the 2 micro switch wires. 2 scotchlock connectors provided.



**4** Check that the micro switch is working, then clip the operator cover back on.

## Installing the safety contact radio (wireless) on the top panel of the wicket door

**Transmitter module**  
(Left push wicket door)

OR

**Transmitter module**  
(Right push wicket door)

**1 Drill the box**

**2**

**Fix the parts on the opener and frame**

**x3**  
Screws : Self-drilling TF Square 4.2x25

**x1**  
Screw : Self-drilling TF Square 4.2x16

**SQ2**

**Fittings**

Screw 1

Screw 2

**3**

**Reinstall the board**

Terminal block, magnet side

**4**

**Remove the battery isolator**

**5**

**Check the position of the switches**

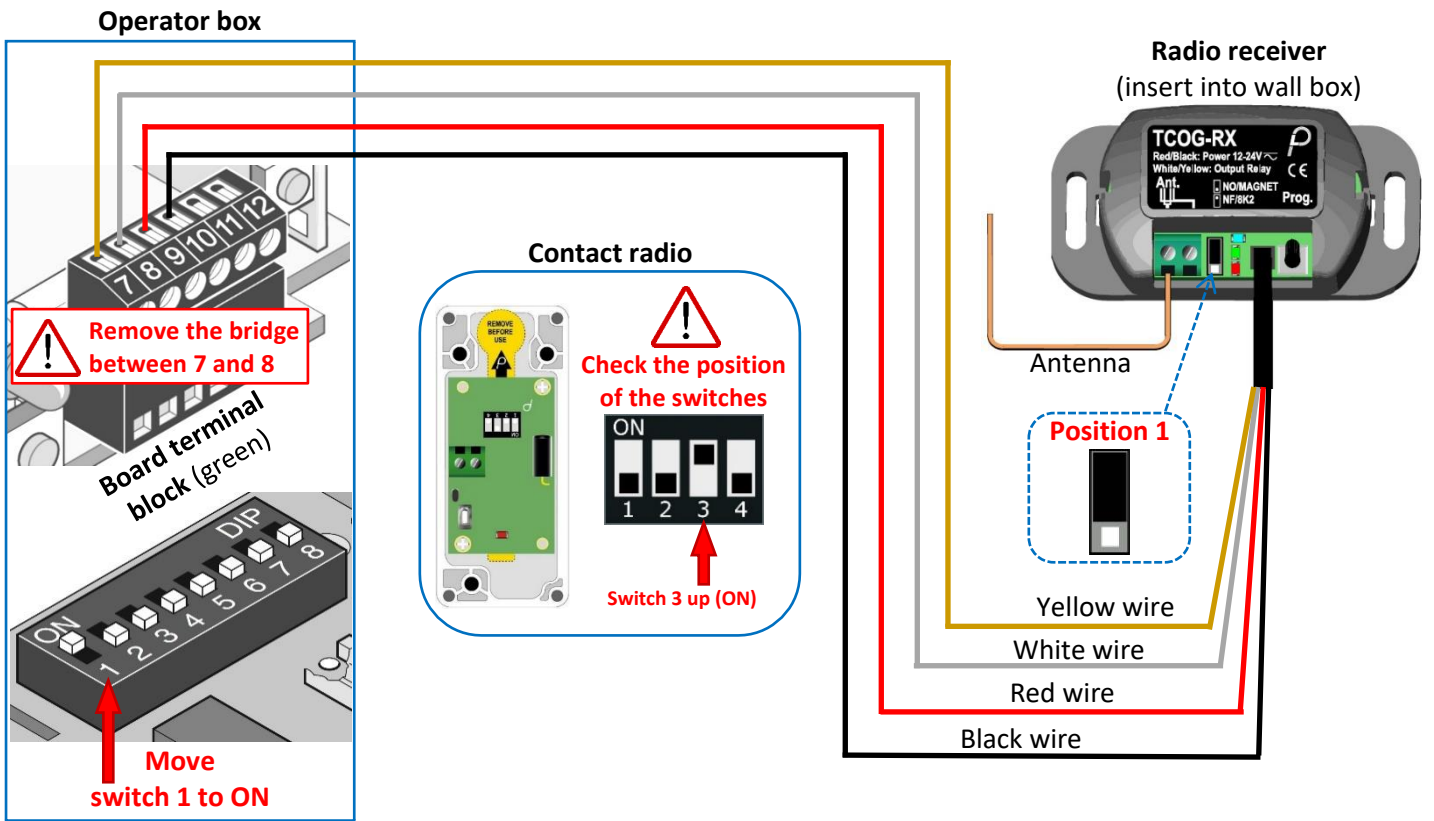
**6**

**Close the box**

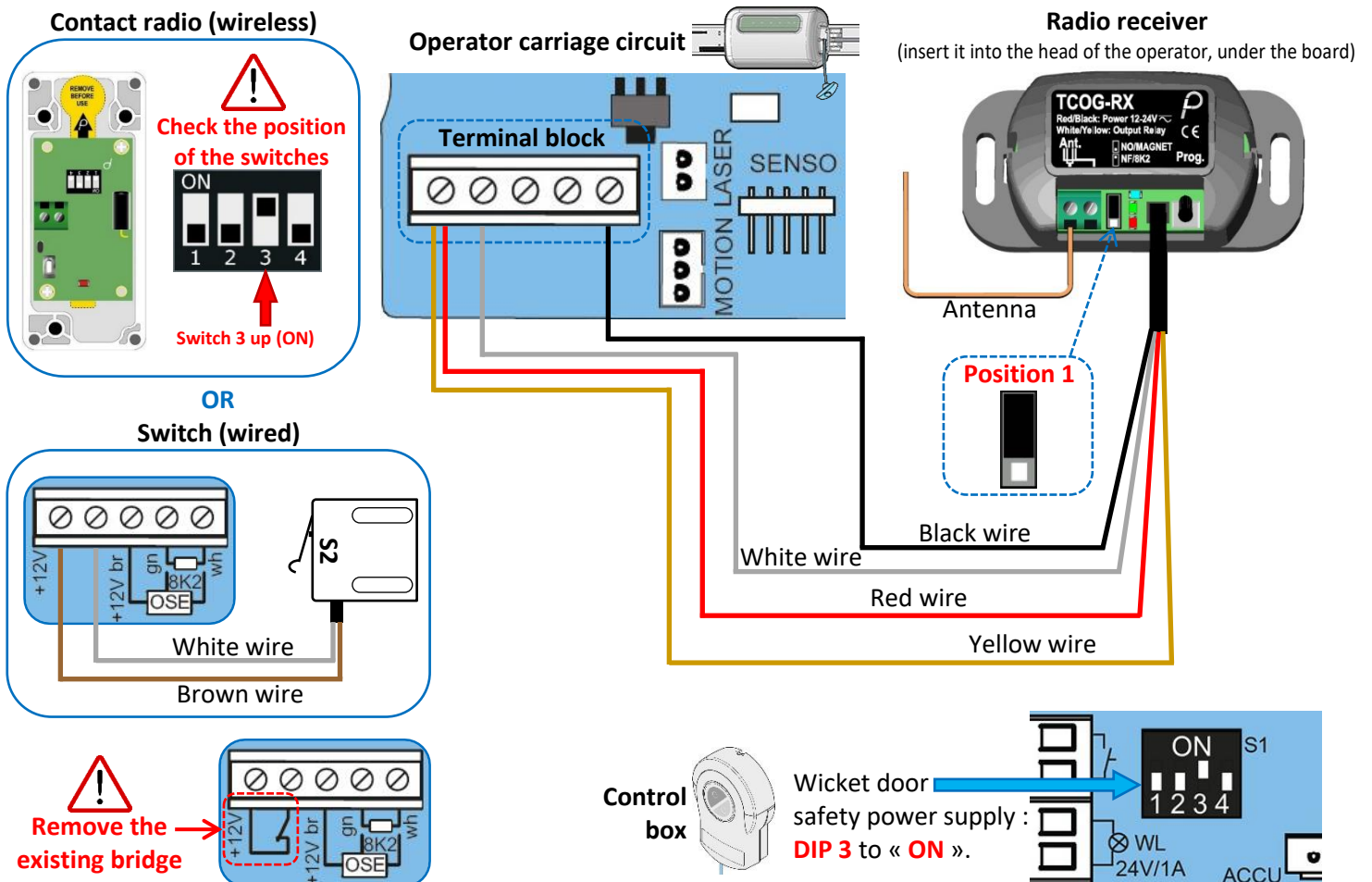
**!** The contact radio is programmed at the factory. It is ready to use.  
**Please note :** In case of failure, refer to the transmitter documentation.

# Connection

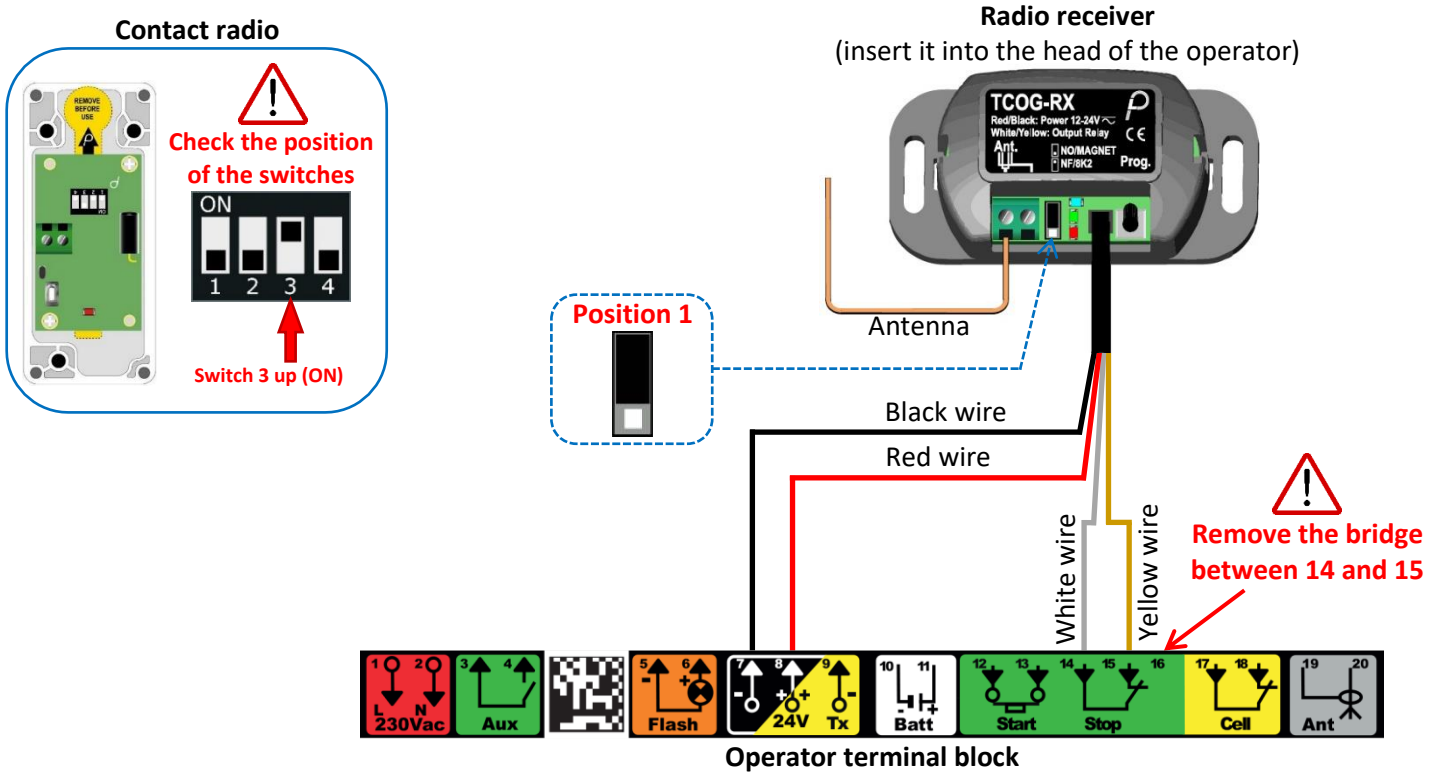
## Safety contact radio (wireless) with the TD operators (SOMMER)



## Safety contact radio (wireless) or switch (wired) with Pro+ (SOMMER) operators



### Safety contact radio (wireless) with the Dexxo Smart io 800 operator (SOMFY)



### Safety contact radio (wireless) with the Dexxo Optimo RTS operator (SOMFY)

