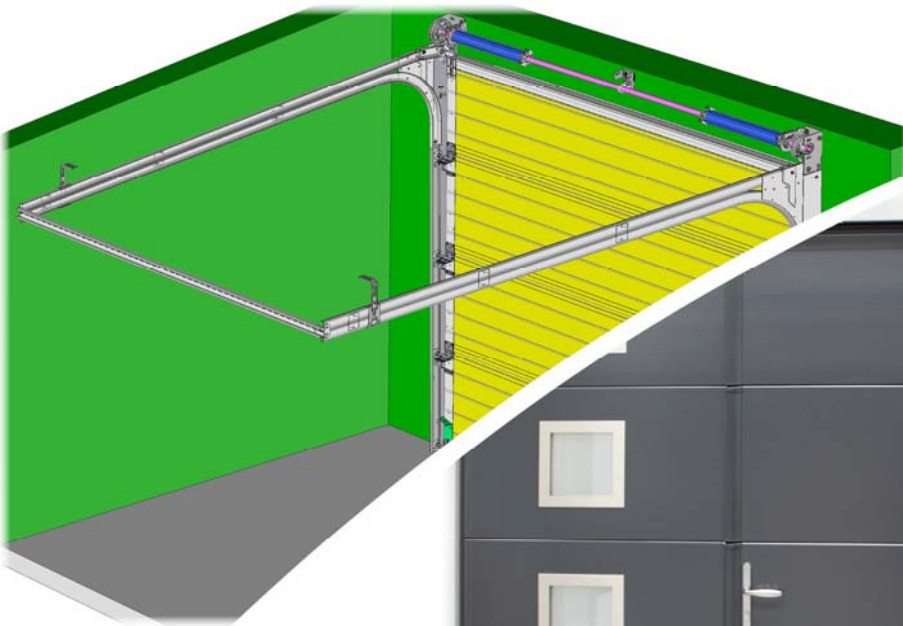


Manual: No. 7030 **INSTALLATION**

Residential garage doors



*Overhead Discharge
with Wicket door*



(Document reserved for installers)

Contents

Required equipment	p.2
Installation instructions	p.3
Preparing the rails	p.4
Installing the vertical rails and the balance line	p.5
Content of packs (wicket door)	p.6
Identifying the opening direction	p.7
Preparing the panels (bottom panel, intermediate panels 1 and 2)	p.7 to p.8
Installing the shutter (positioning the bottom panel, intermediate panel 1)	p.9 to p.11
Installing the horizontal rails (+ Installing and positioning the spacer rod)	p.12 to p.13
Installing the hangers (+ Checking the diagonals and attaching the hangers to the ceiling).....	p.13
Rod extension (option).....	p.14
Installing the header seal and the operator support	p.14
After having installed the shutter (installing the top panel)	p.15
Setting the stop module.....	p.16
Installing the rod.....	p.17 to p.19
Activating the lock.....	p.20
Box operation text (test 1, 2, tip: test 2).....	p.21 to p.22
Adjusting the door closure.....	p.22
Solution: If the lock is stuck.....	p.23
Wicket door finishes.....	p.24 to p.25
Installing the cables.....	p.26
Spring tension.....	p.27
Table for number of spring tension turns	p.28
Settings for the door (setting of the horizontal level and the roller guides).....	p.28
Door finishes (attaching the end position clips, adjusting the header seal, greasing the bottom of the rails, if motorized operation, installation of the handle, the latch, the lock (option) and the pull cord (manual door)	p.29 to p.31
Electric drive (option) (attaching the operator arm, connecting the safety micro switch to the TD Operator (wiring), installing the safety contact radio (wireless) and connecting the TD operators, Dexxo Pro 800 io and Dexxo Optimo RTS)	p.32 to p.36
In case of incorrect manual functioning	p.37

Required equipment

- | | |
|---|---|
| <ul style="list-style-type: none"> - Ladders + 2 trestles - Clamps and locking pliers - Spirit level or laser level - Plumb bob - Cord - Tape measure (5M or 8M) - Hammer drill - Pins for screws (Ø6 max.) and concrete drill bits - Hammer - Hacksaw - Universal clamp - Wooden shims: 5 mm | <ul style="list-style-type: none"> - Steel drill bit with Ø4.2 mm, max. length of 30 mm - Steel drill bit with Ø6, Ø10, Ø11 and Ø16 mm - Electric screwdriver with torque limiter equipped with Torx end-piece of 30 mm - Flat wrenches: 10 mm, 13 mm, 15 mm and 17 mm - Socket wrenches: 10 mm, 13 mm, 15 mm and 17 mm - Screwdriver - Angle grinder - Lubricant spray - Grease and brush - Can of oil - Silicone sealant |
|---|---|

Installation instructions



CAUTION!

To ensure that this product is assembled, used and maintained in complete safety, it is important to follow the instructions provided in this document.
For everyone's safety, please observe the precautionary measures below.



- * Before beginning the assembly, read this manual carefully.
- * This closure must be installed by a professional technician.
- * All the parts delivered are specifically sized for this product. Adding and/or using other parts may be detrimental to safety and may affect the product's warranty.
- * Any modification or improvement of this closure must be compliant with the standard EN 13241-1 + A1.
In this case, a "modification/transformation" file must be created by the installer as per the standard EN 12635 annex C.
- * Considerable force is exerted by the torsion springs.
This work must therefore be carried out in accordance with the safety instructions.
Use the appropriate tools to install these products.
Ensure that the work is carried out on a stable floor.
- * Ensure that the assembly area is adequately lit, clear, clean and clearly marked out.
- * Ensure that no other people are present at the assembly site apart from the installers.
Non-authorized persons (children for example!) who are present at the site risk injury during assembly.
- * All the components of this closure must be installed in compliance with the installation instructions provided in this manual.
- * All the requirements of the standards EN 13241-1 + A1 must be met and verified if necessary.

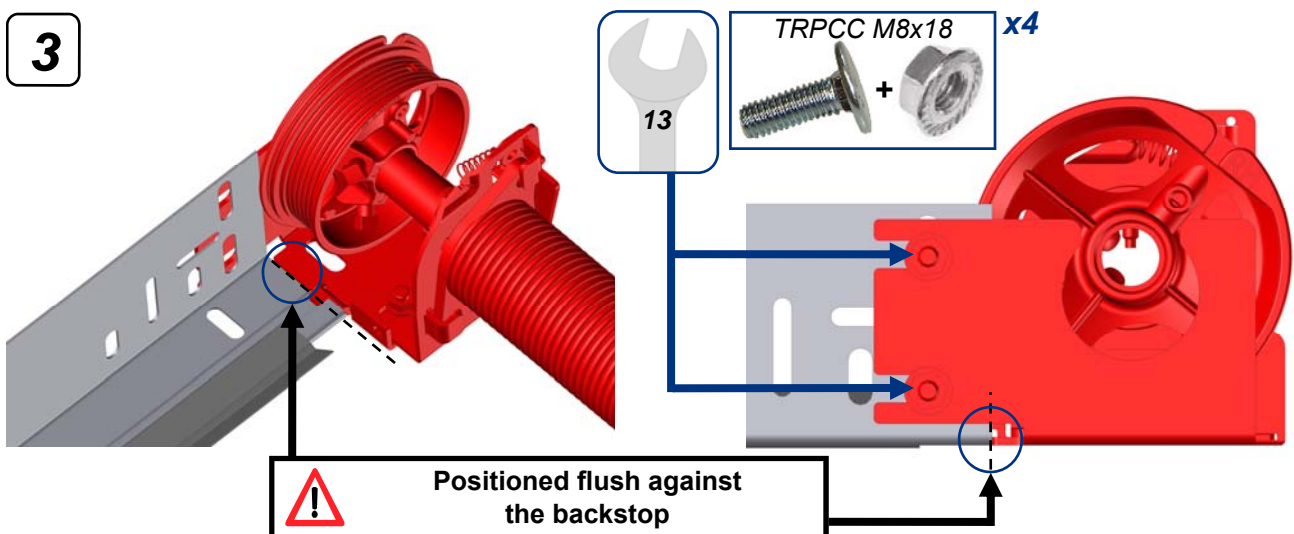
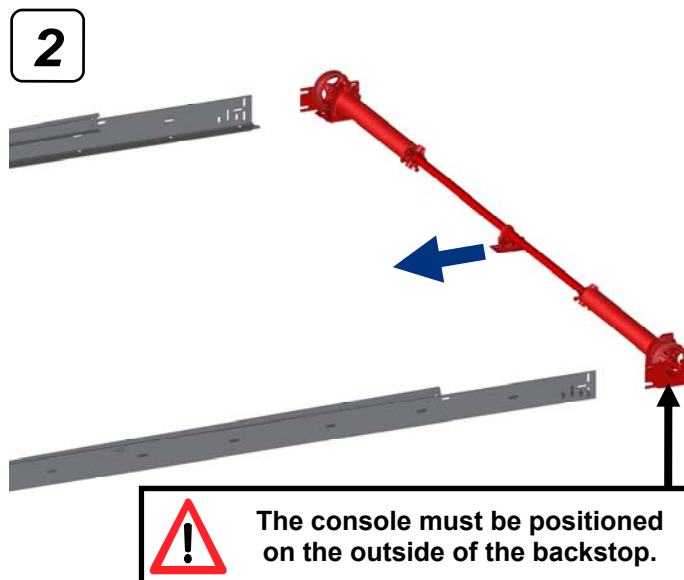
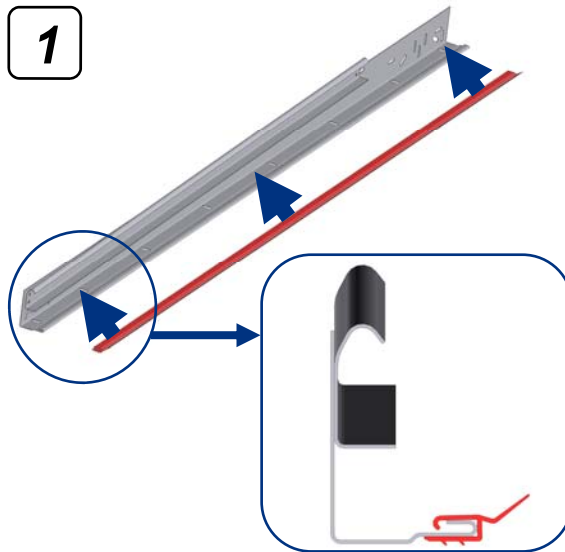
Max. locking torque:

- Assembly screw: **10 Nm**
- Shutter assembly screw: **12 Nm**

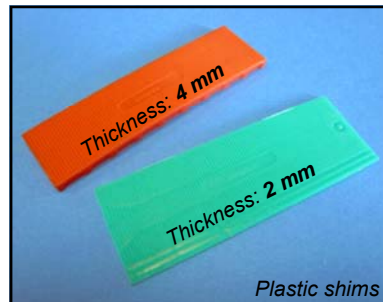
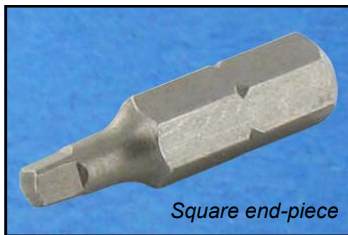
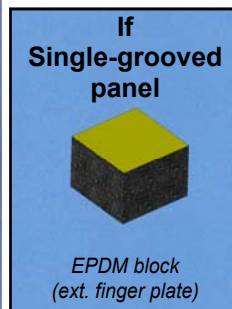
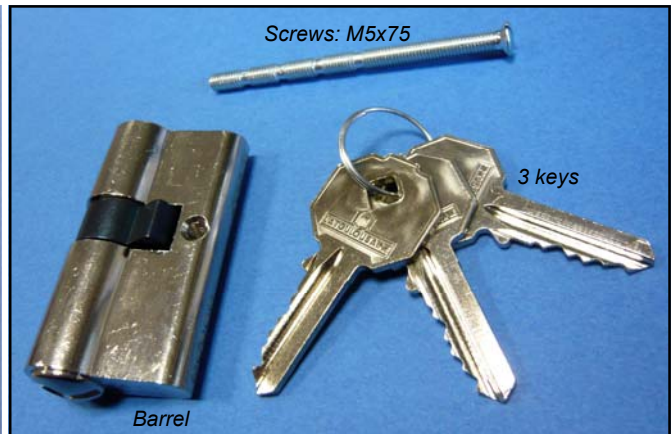
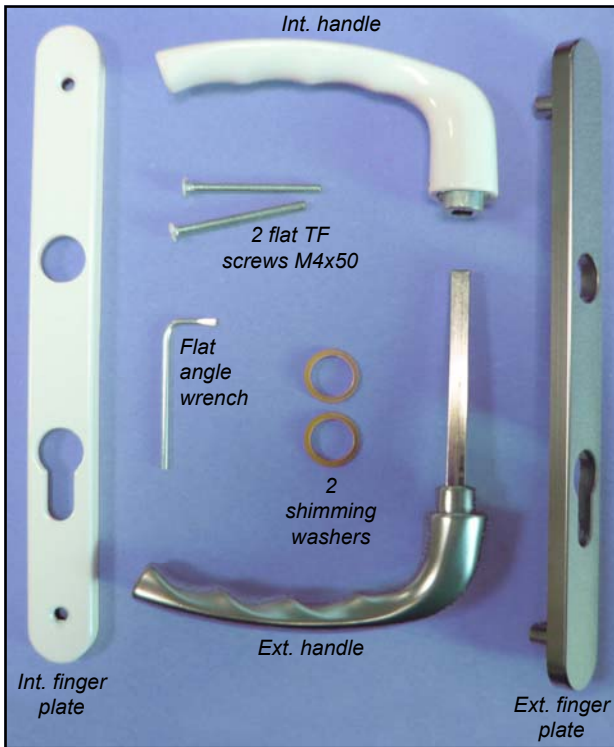
Min. working load per attachment point:

- Compensating shaft: **300 daN**
- Rails: **40 daN**

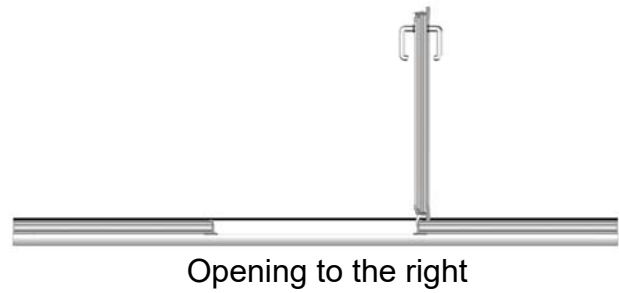
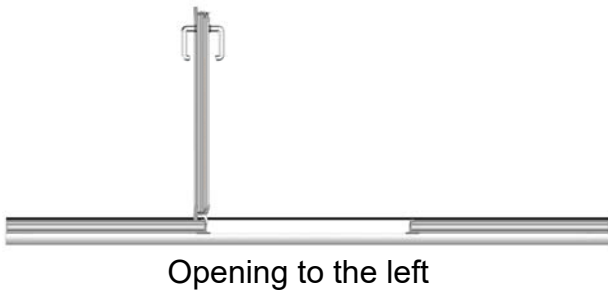
Preparing the rails



Content of packs (wicket door)



Identifying the opening direction



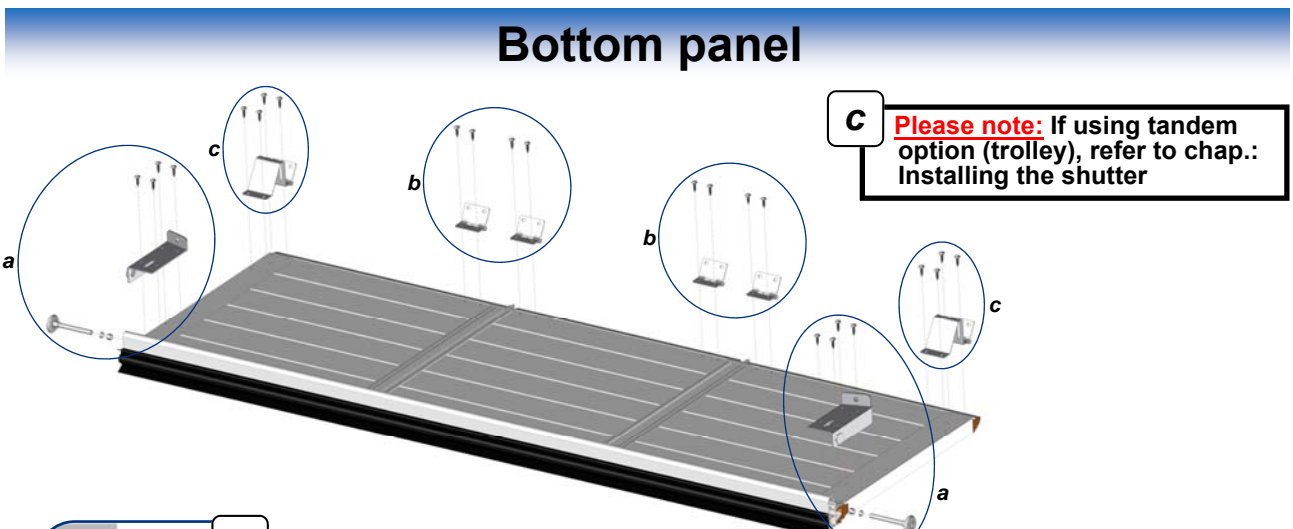
Internal side view

Preparing the panels

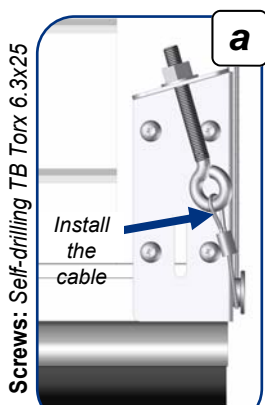
Example: Internal view of assembly for opening the wicket door to the right.

Bottom panel

C **Please note:** If using tandem option (trolley), refer to chap.: Installing the shutter



a

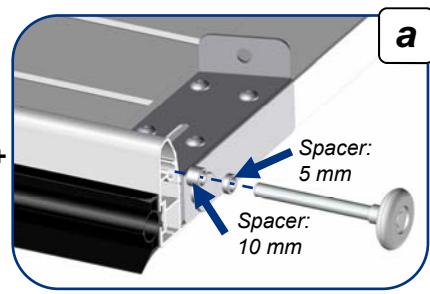


Screws: Self-drilling TB Torx 6.3x25

Install the cable

Low suspension


a



Spacer: 5 mm
Spacer: 10 mm

Roller and spacers


b



Screws: Self-drilling TB Torx 6.3x25

Intermediate hinge

c

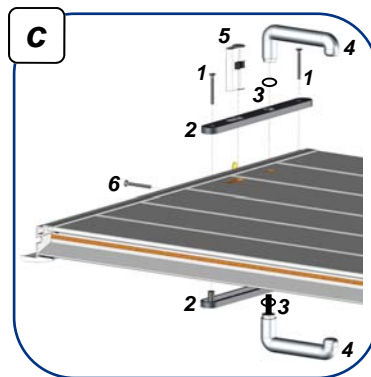
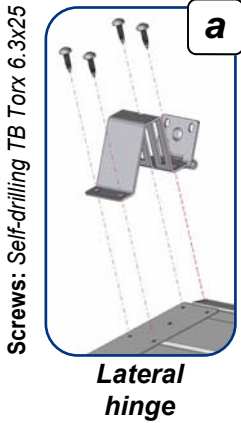
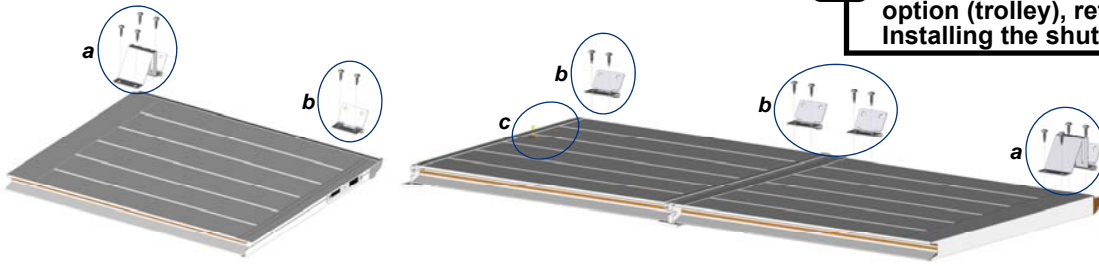


Screws: Self-drilling TB Torx 6.3x25

Lateral hinge

Intermediate panels 1 and 2

a **Please note:** If using tandem option (trolley), refer to chap.: Installing the shutter

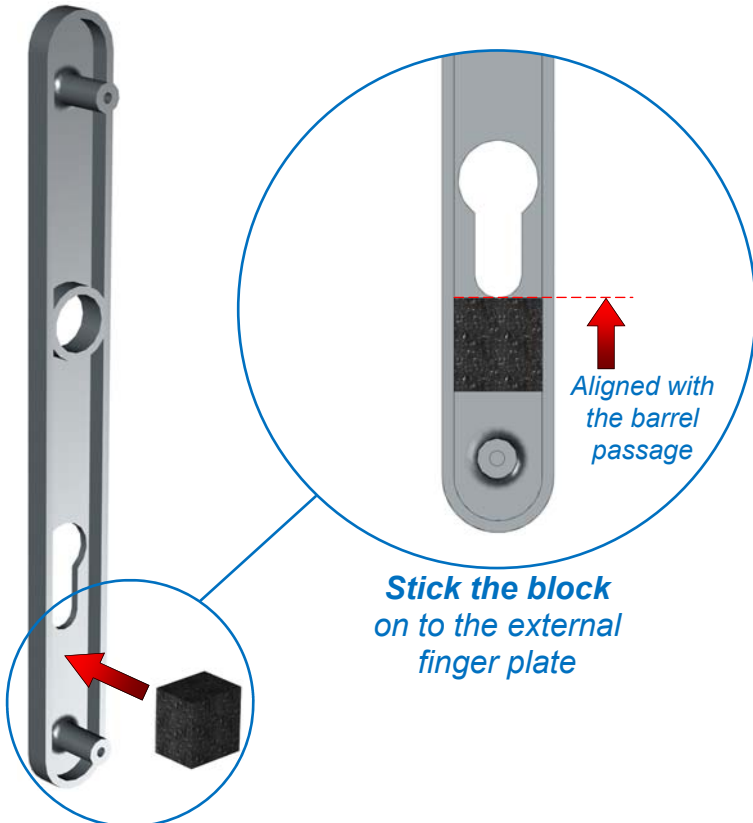


Handle unit + Barrel
(only on inter. panel 1)

- 1 = Flat TF screws M4x50 (x2)
- 2 = Finger plate x 2
- 3 = Shimming washer x 2
- 4 = * Handle x 2
- 5 = Locking barrel
- 6 = Screws M5x75 (barrel)

* The white handle must always be on the inside.

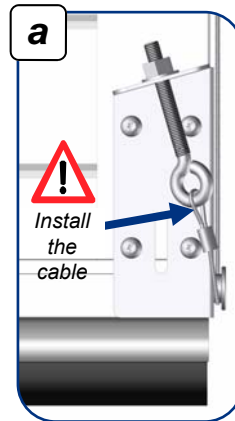
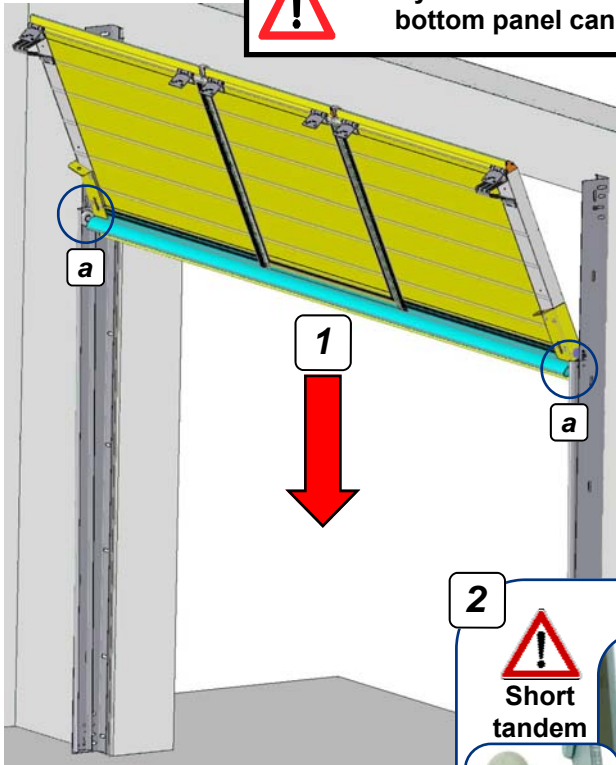
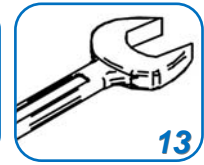
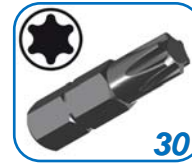
Specific case: Single-grooved Panel



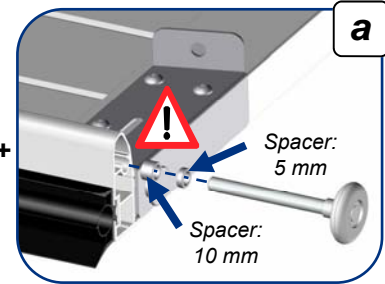
Assembling the shutter

Installing the bottom panel

! Only install the vertical rails, so the bottom panel can pass through



Reminder

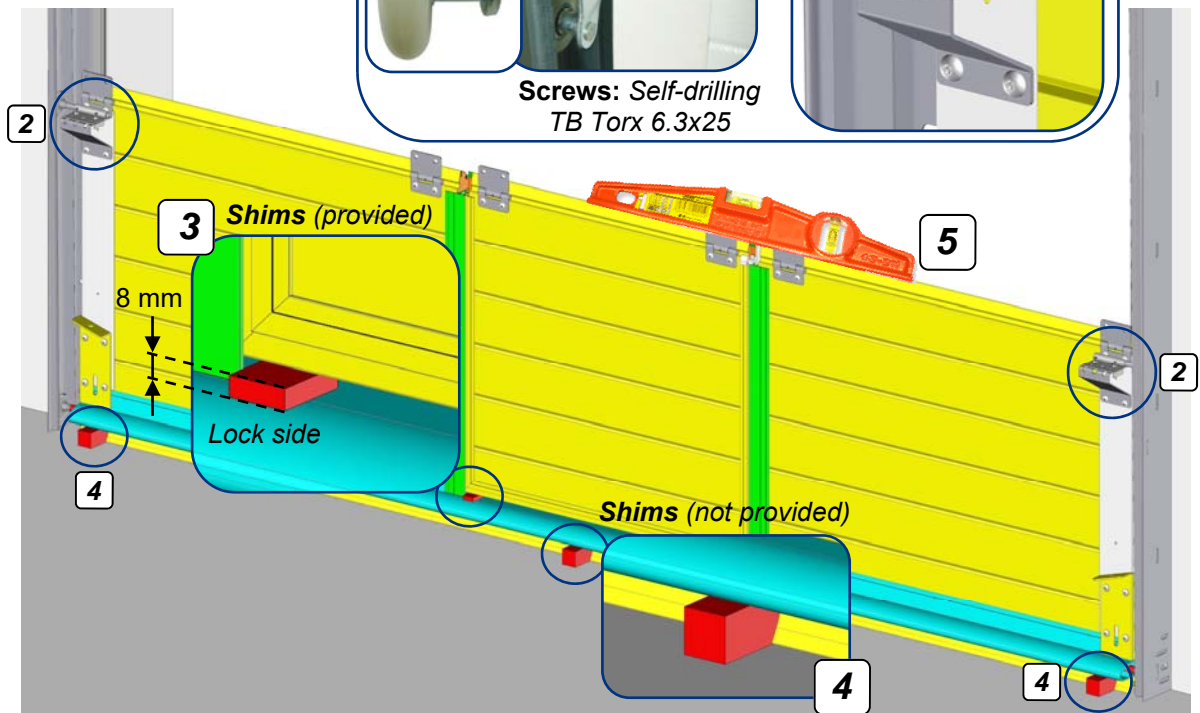


2

! Short tandem

as an option or as standard

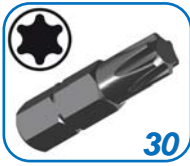
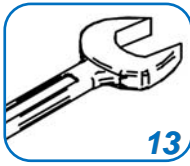
Screws: Self-drilling TB Torx 6.3x25



4

5 **!** To install the bottom panel at the correct level, place shims high enough under the threshold to avoid flattening the bottom seal when assembling the other panels.

Installation of intermediate panel 1



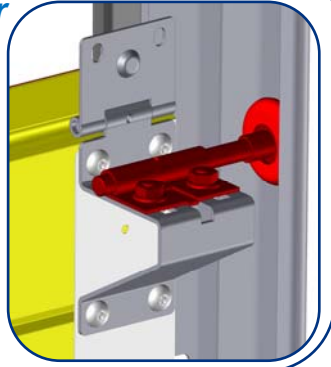
2



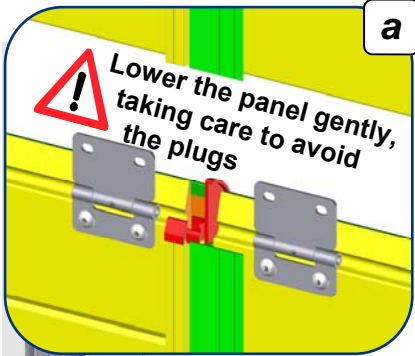
as an option

or

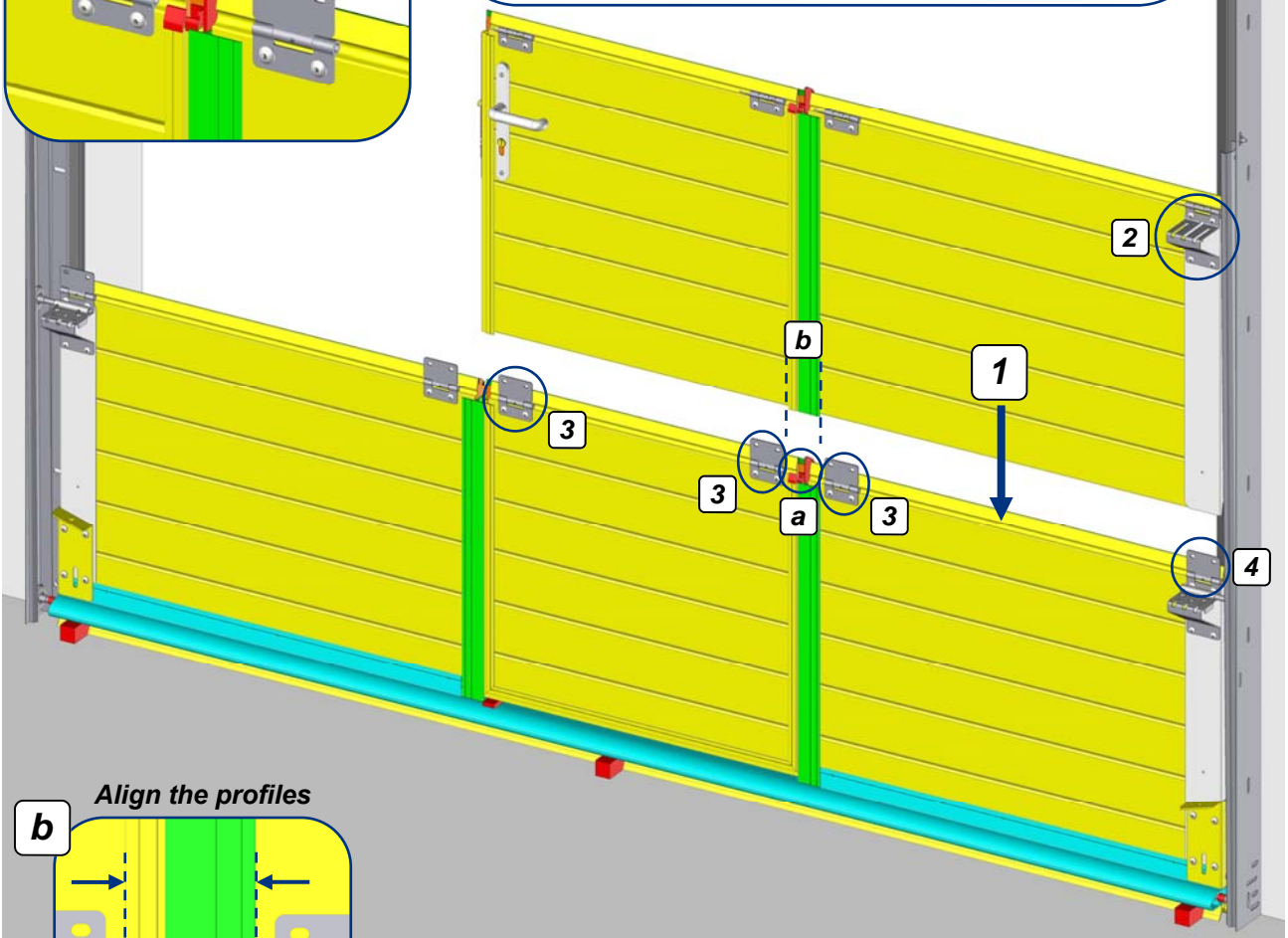
as standard



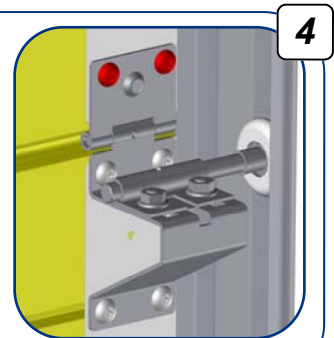
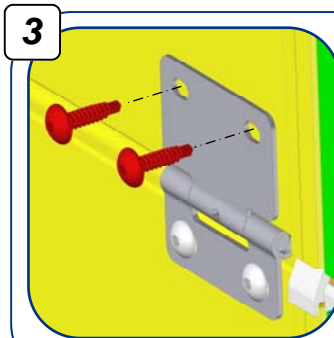
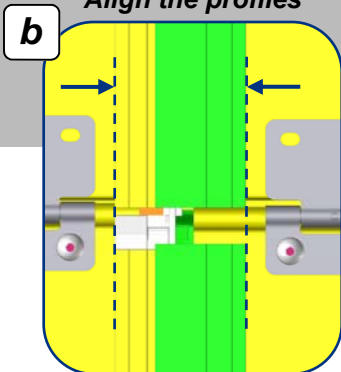
Screws: Self-drilling TB Torx 6.3x25



a



Align the profiles



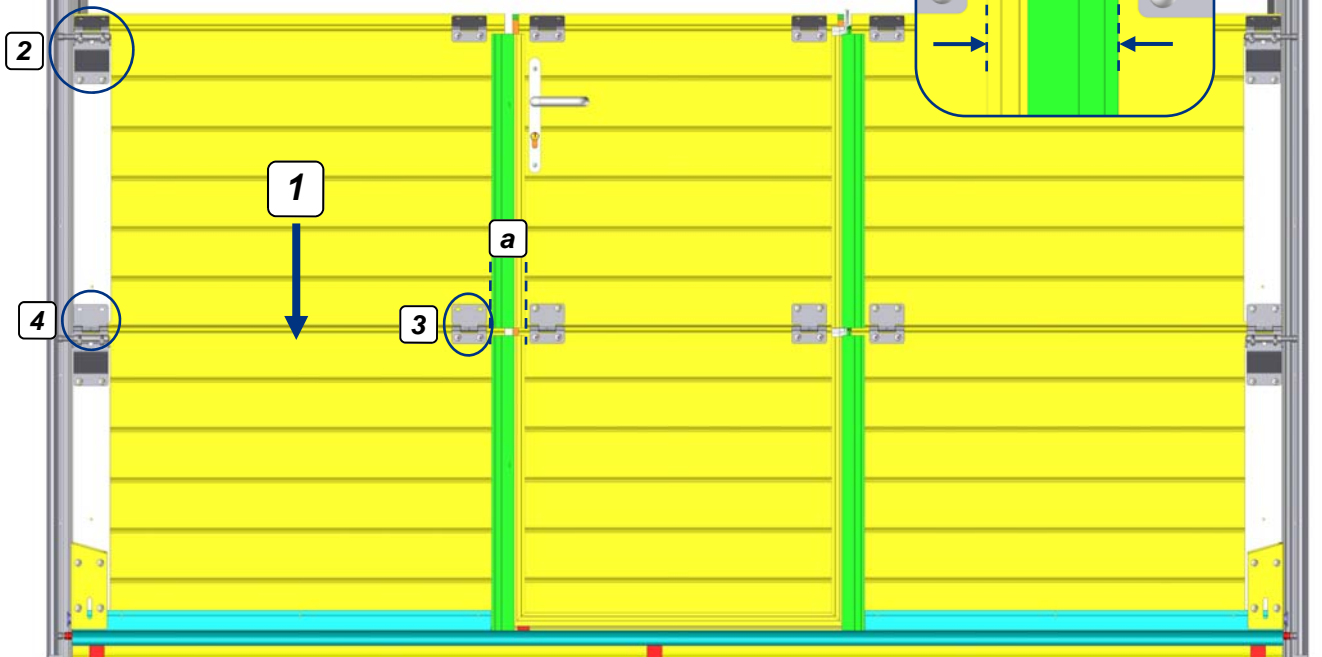
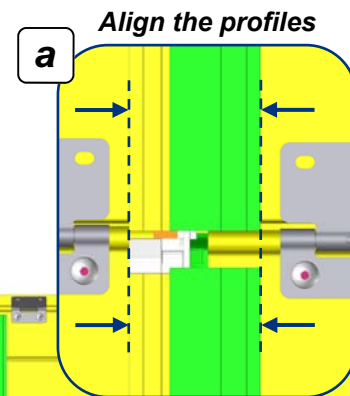
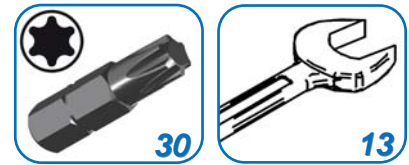
Screws: Self-drilling TB Torx 6.3x25

2

Short tandem

as an option or *as standard*

Screws: Self-drilling TB Torx 6.3x25




3

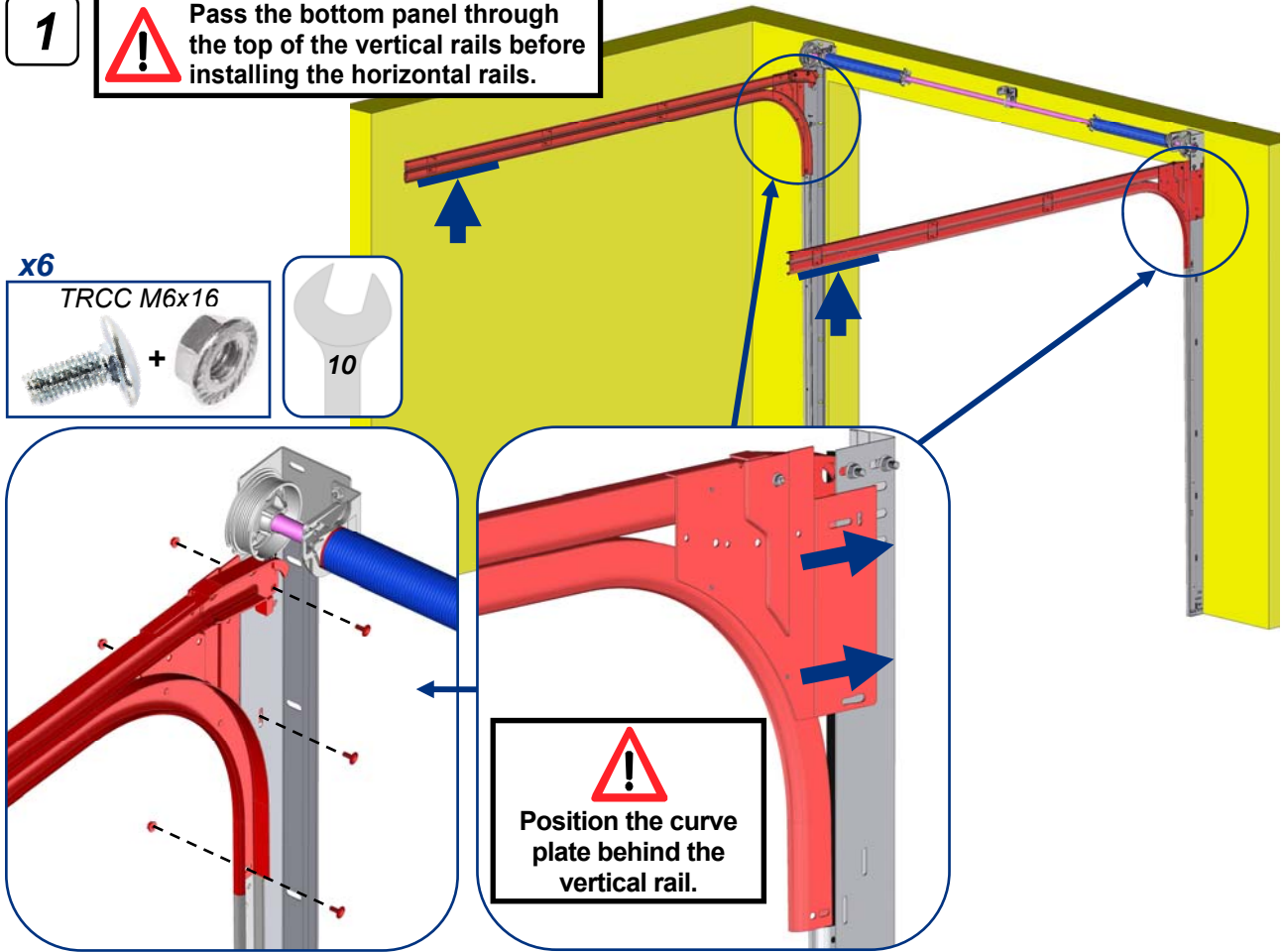
4

Screws: Self-drilling TB Torx 6.3x25

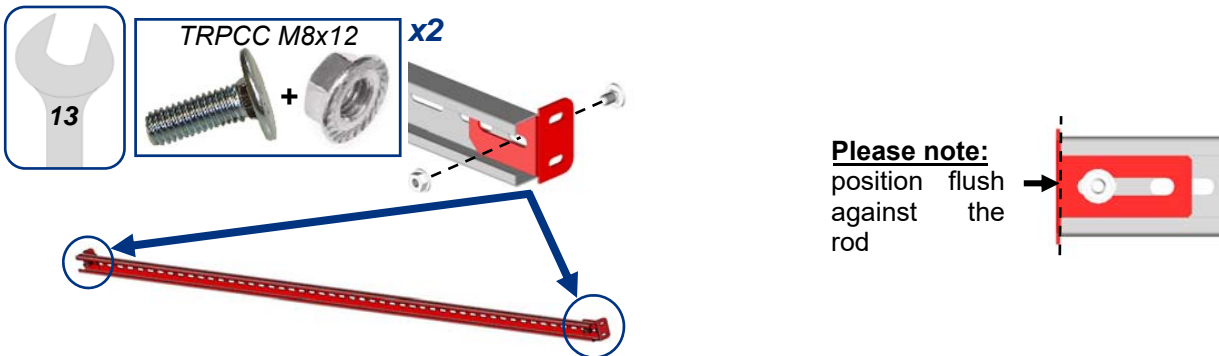
Please note: If installing intermediate panel 2, follow the same procedure as for intermediate panel 1.

Installing the horizontal rails

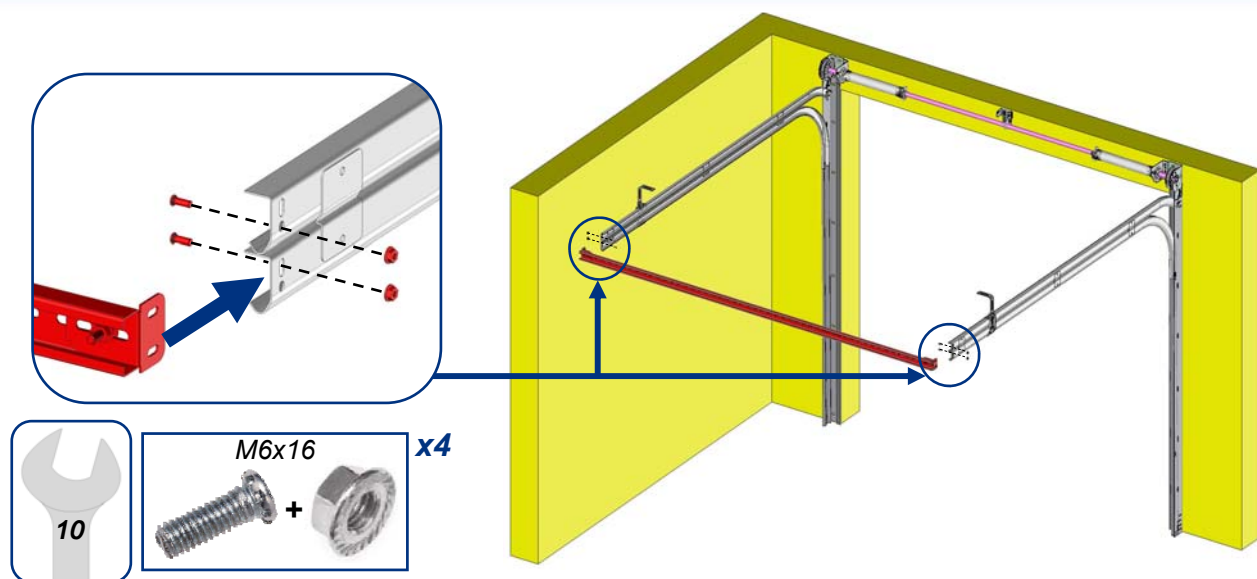
1  Pass the bottom panel through the top of the vertical rails before installing the horizontal rails.



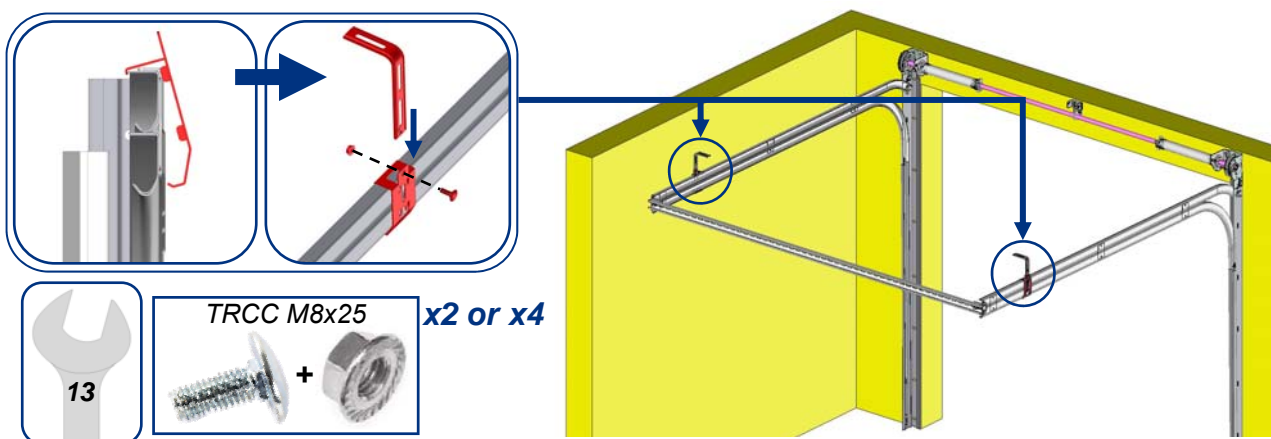
Installing the spacer rod



Installing the spacer rod



Installing the hangers



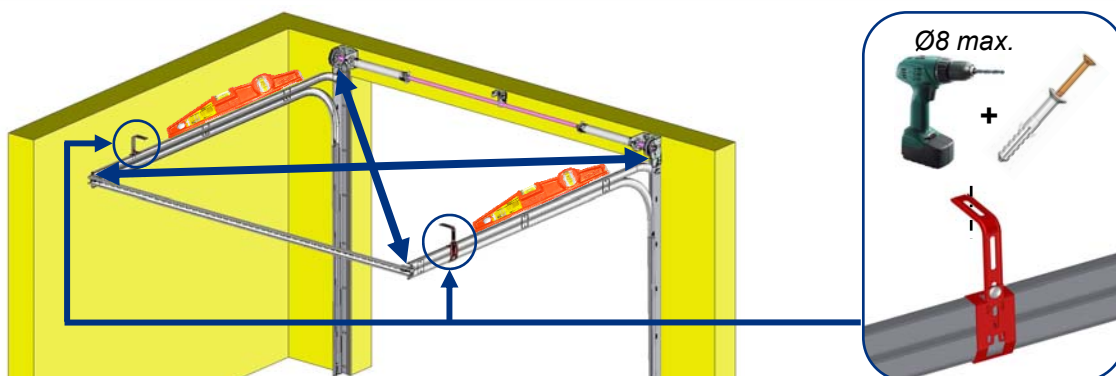
The number of hangers depends on the dimensions of the doors:

- 2 hangers for a door of 3,000 x 2,150 mm max.
- 4 hangers above these dimensions.

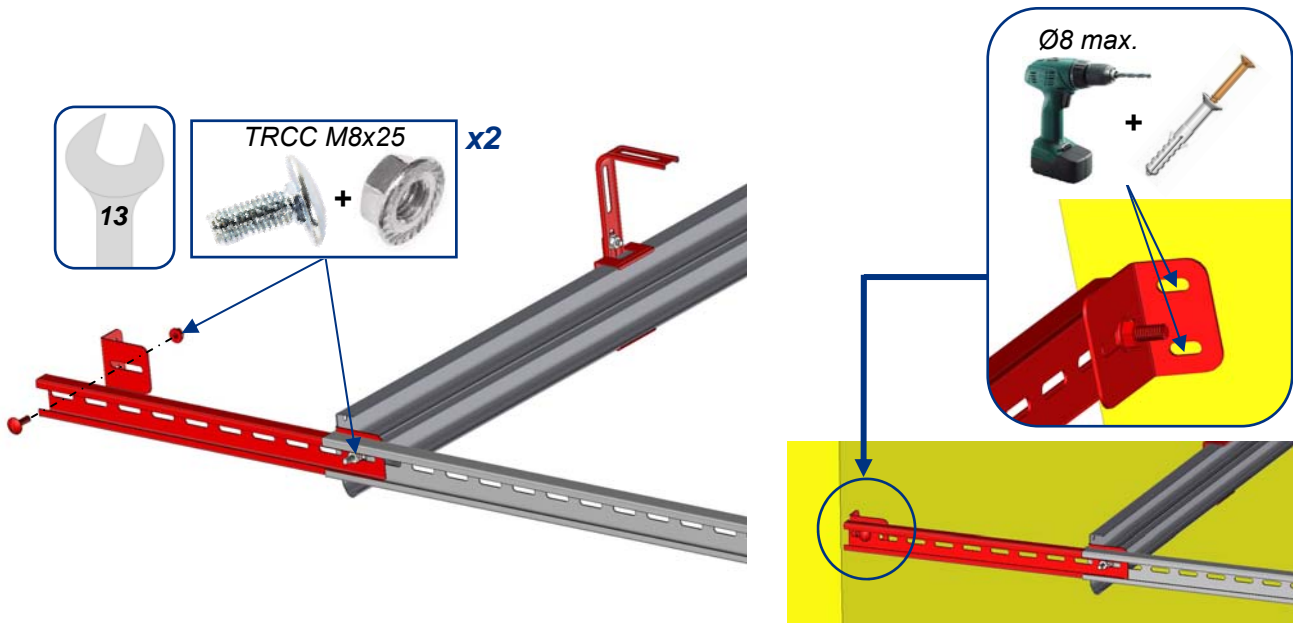
Please note:

- If OH (Overhead Height) \leq 245 mm: Hanger dimensions = 180 mm.
- If 245 mm < OH \leq 440 mm: Hanger dimensions = 380 mm.

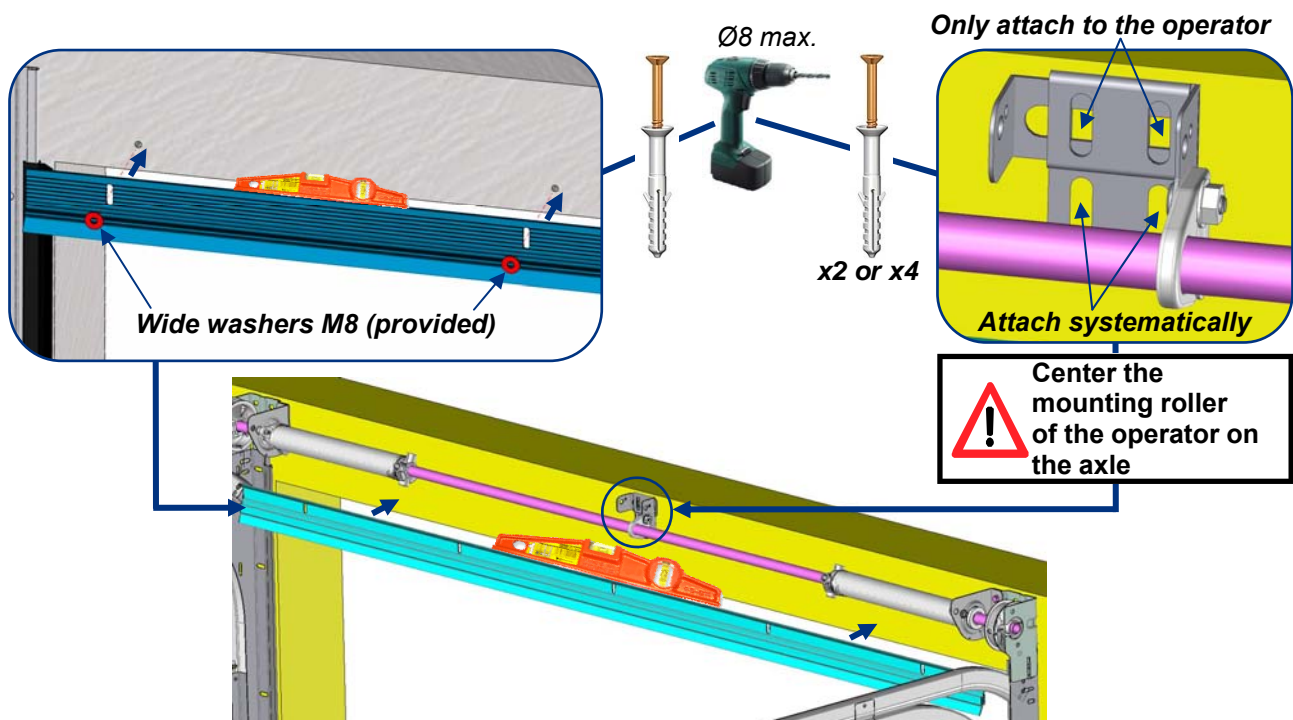
Checking the diagonals and attaching the hangers to the ceiling



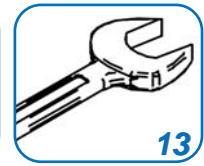
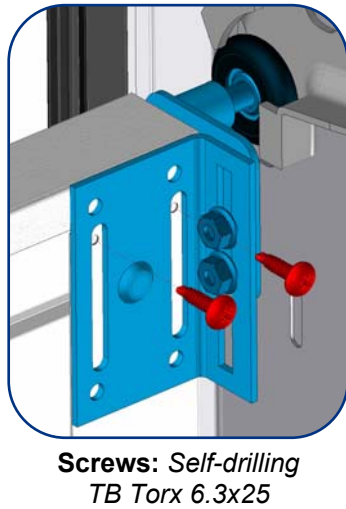
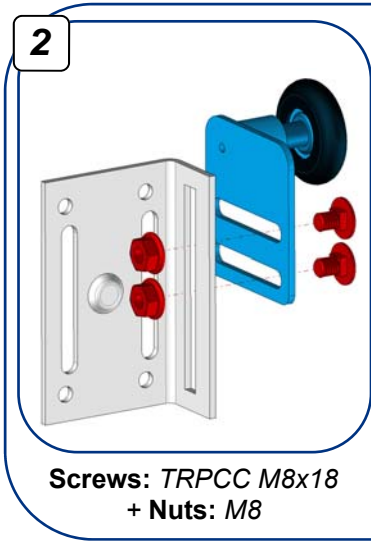
Rod extension (option)



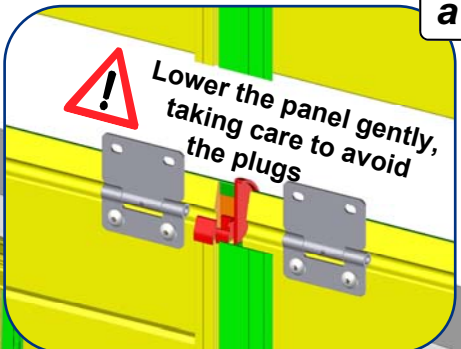
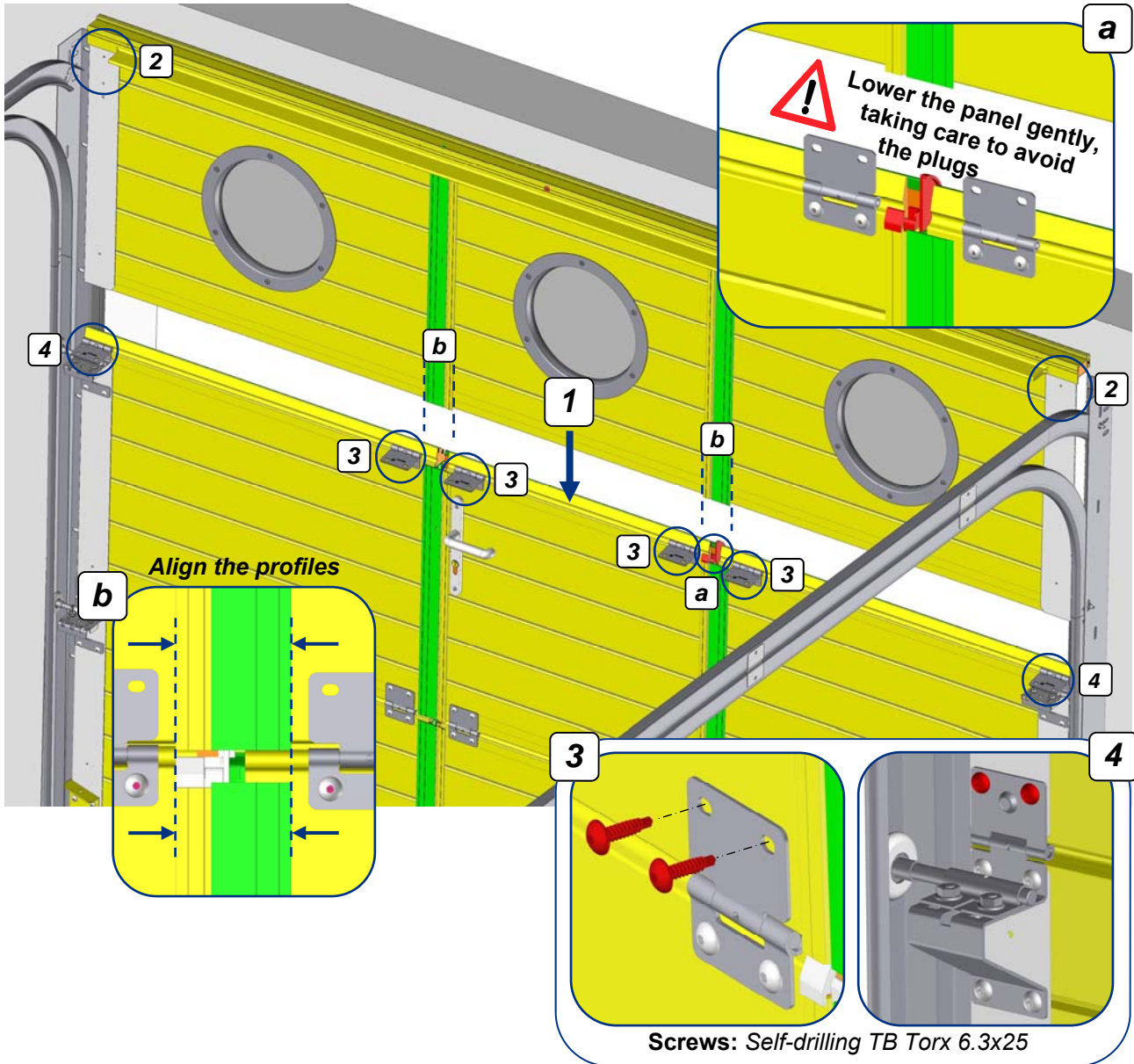
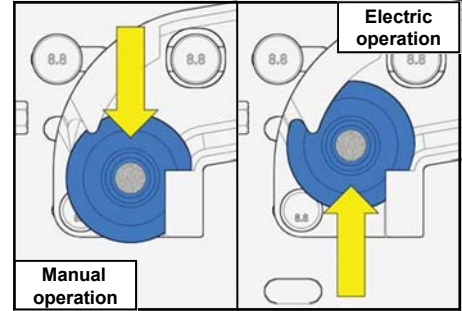
Installing the header seal and the operator support



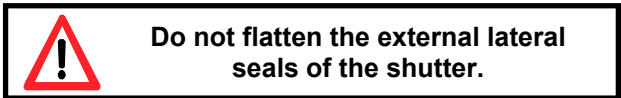
Installing the top panel



Position of the top roller guide

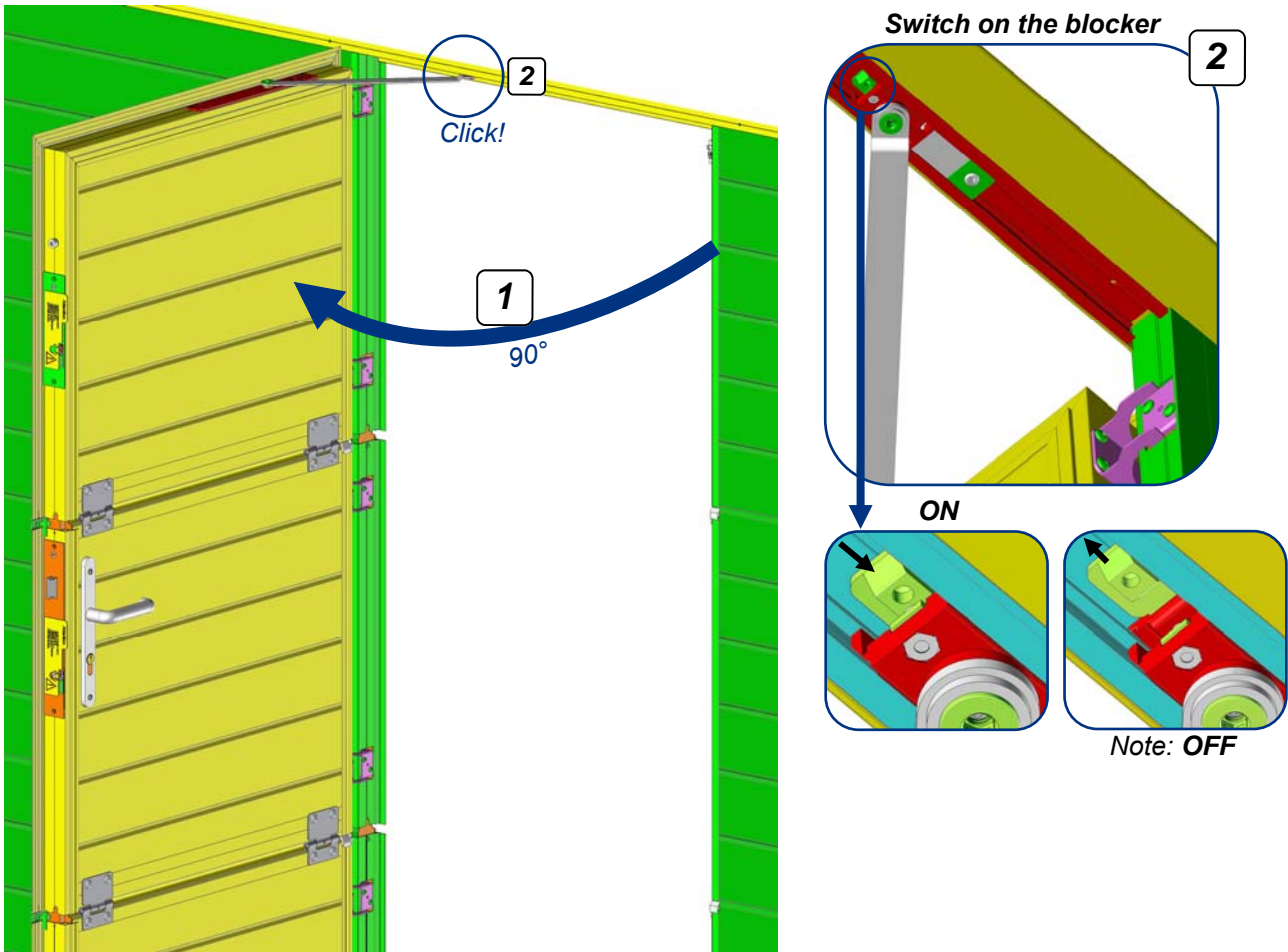


Adjust the rollers on the lateral hinges so that the shutter is perfectly horizontal.

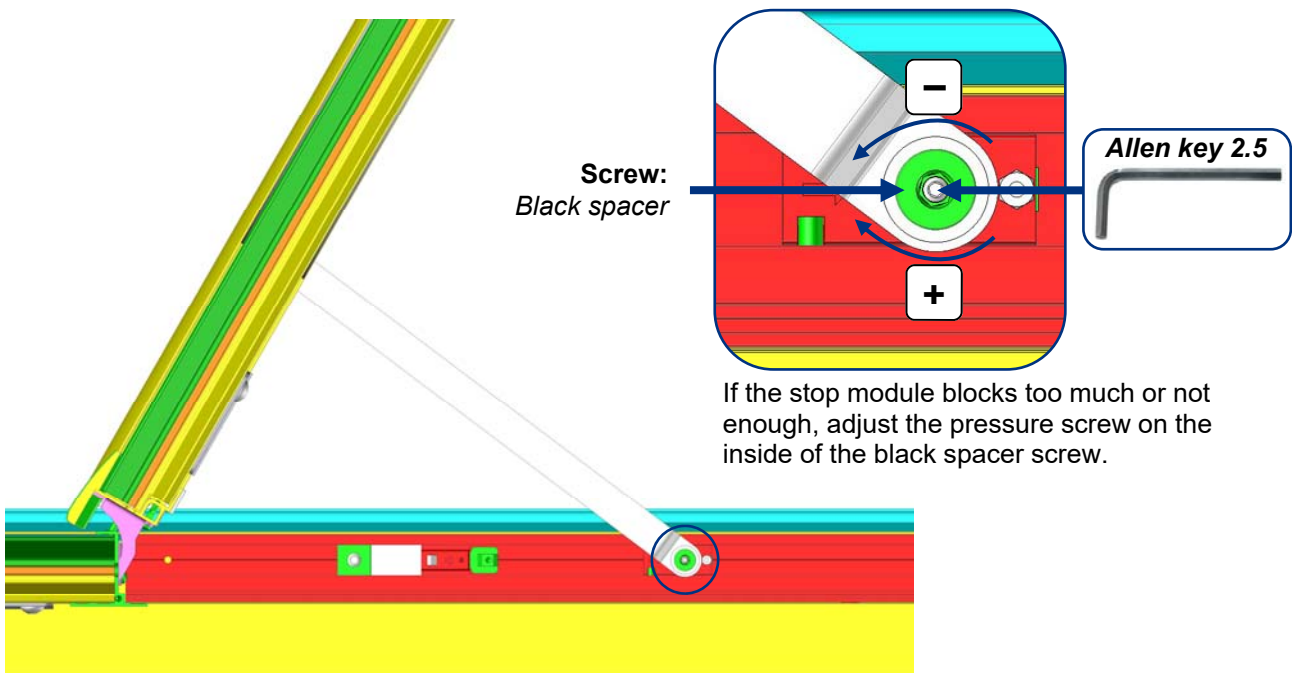


Setting the stop module

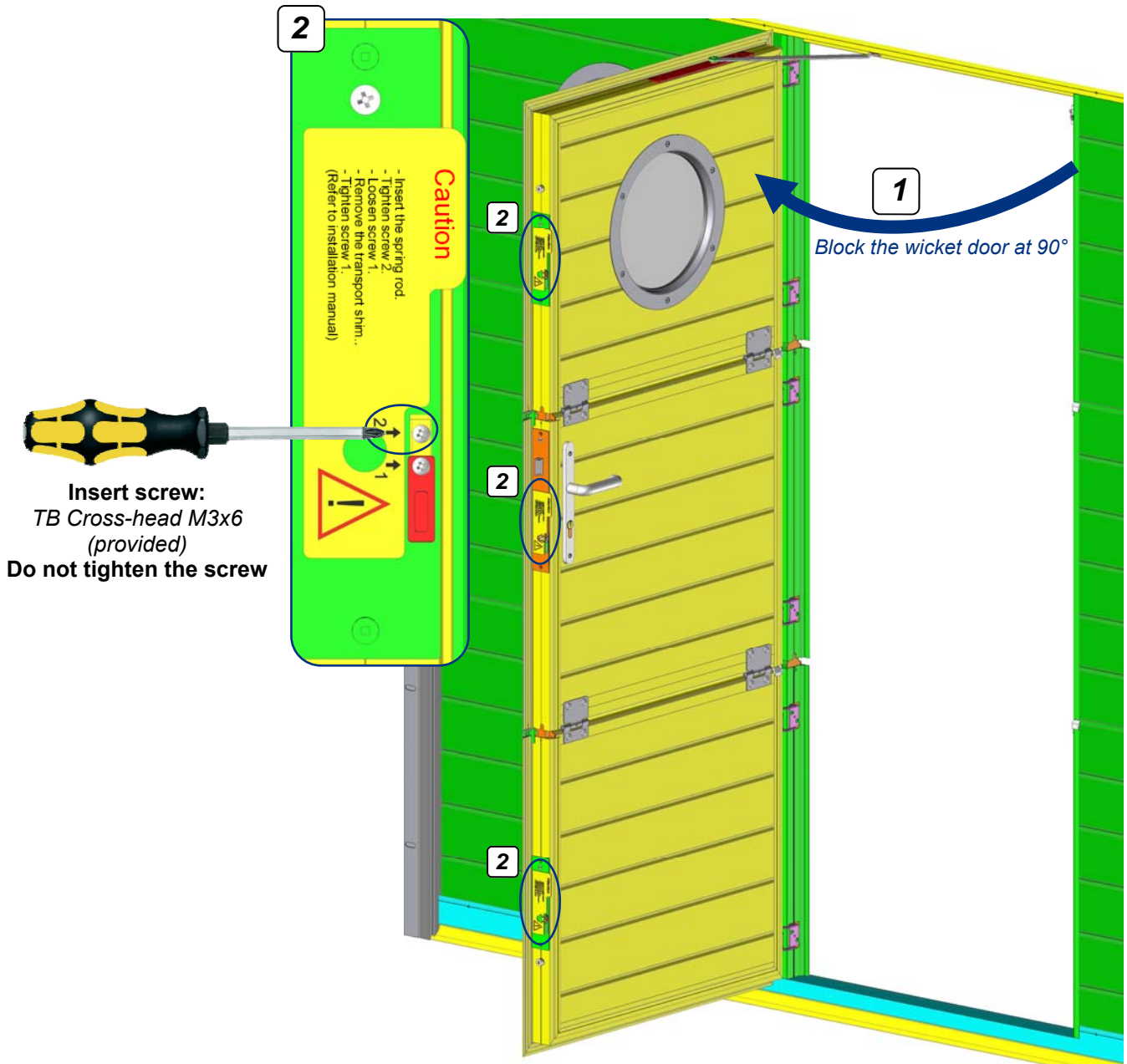
Remove the shims (provided) from below the wicket door.

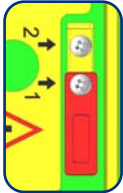
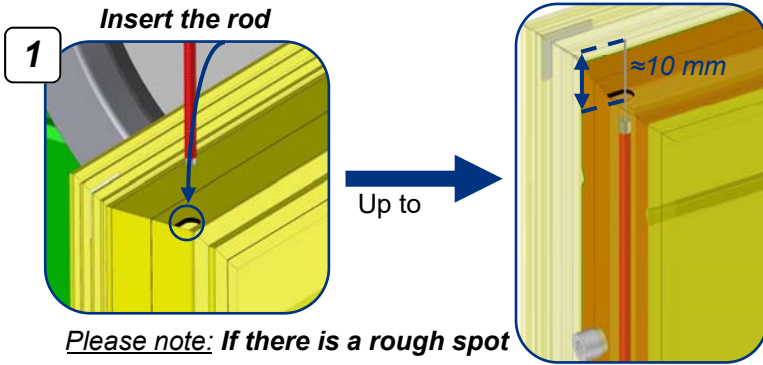


Test the stop module: (blocking of wicket door at 90°)

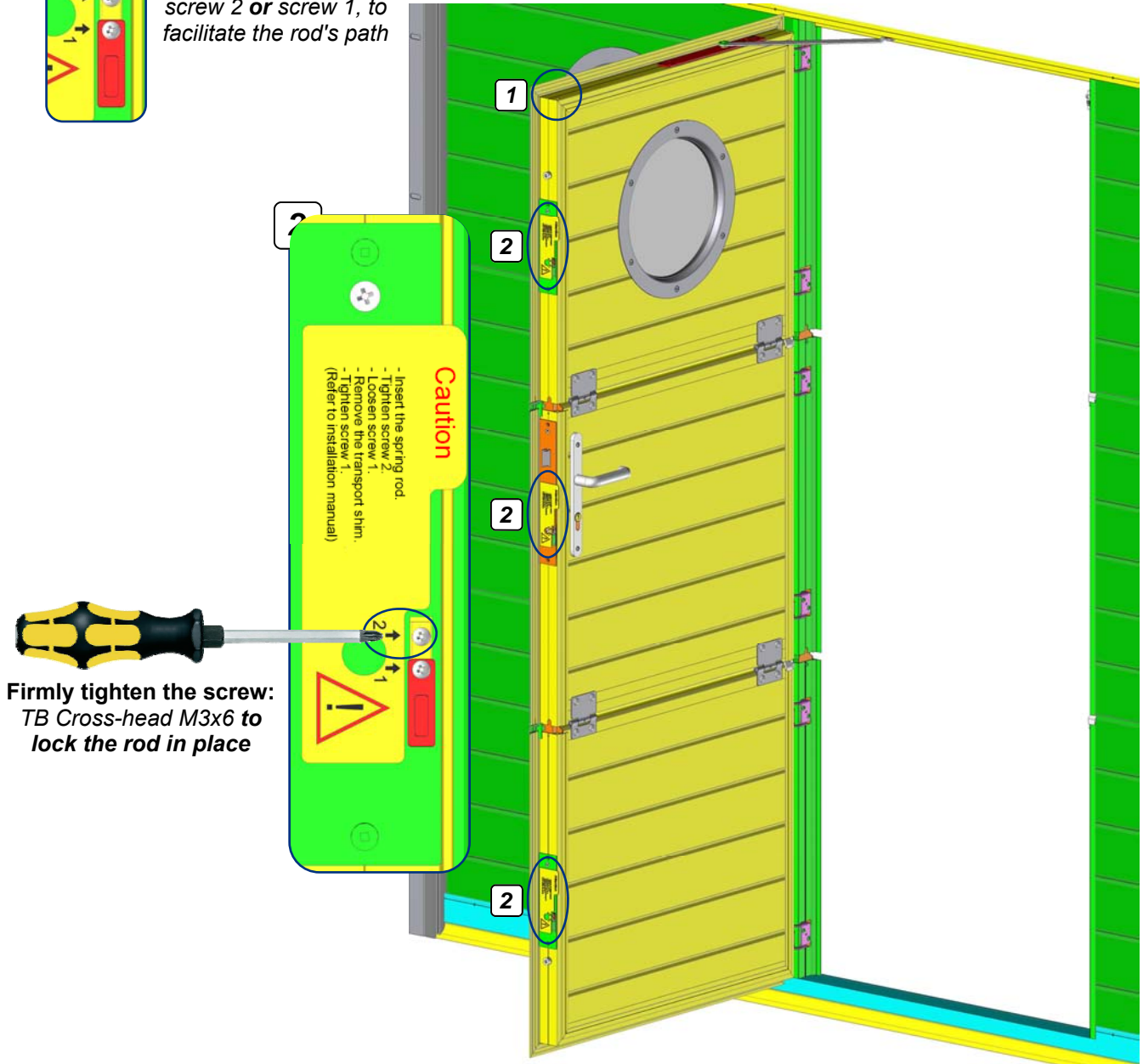


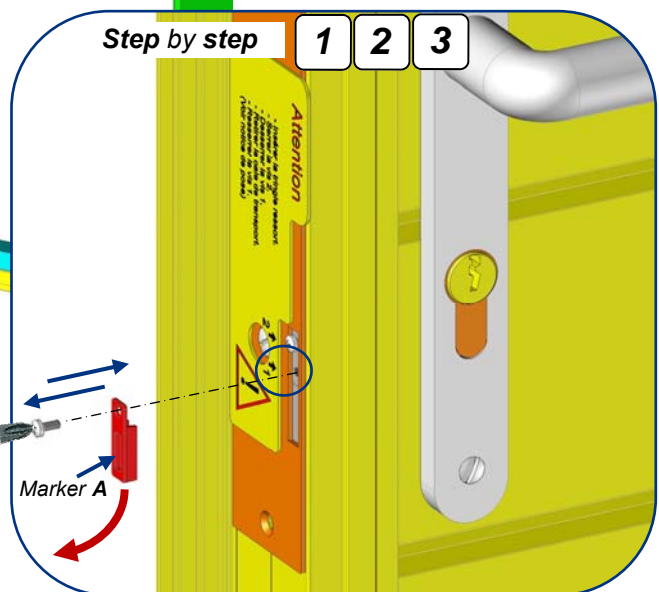
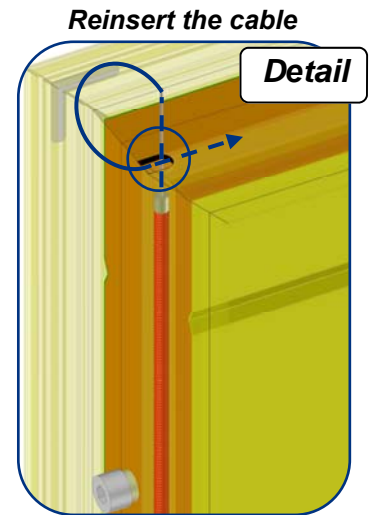
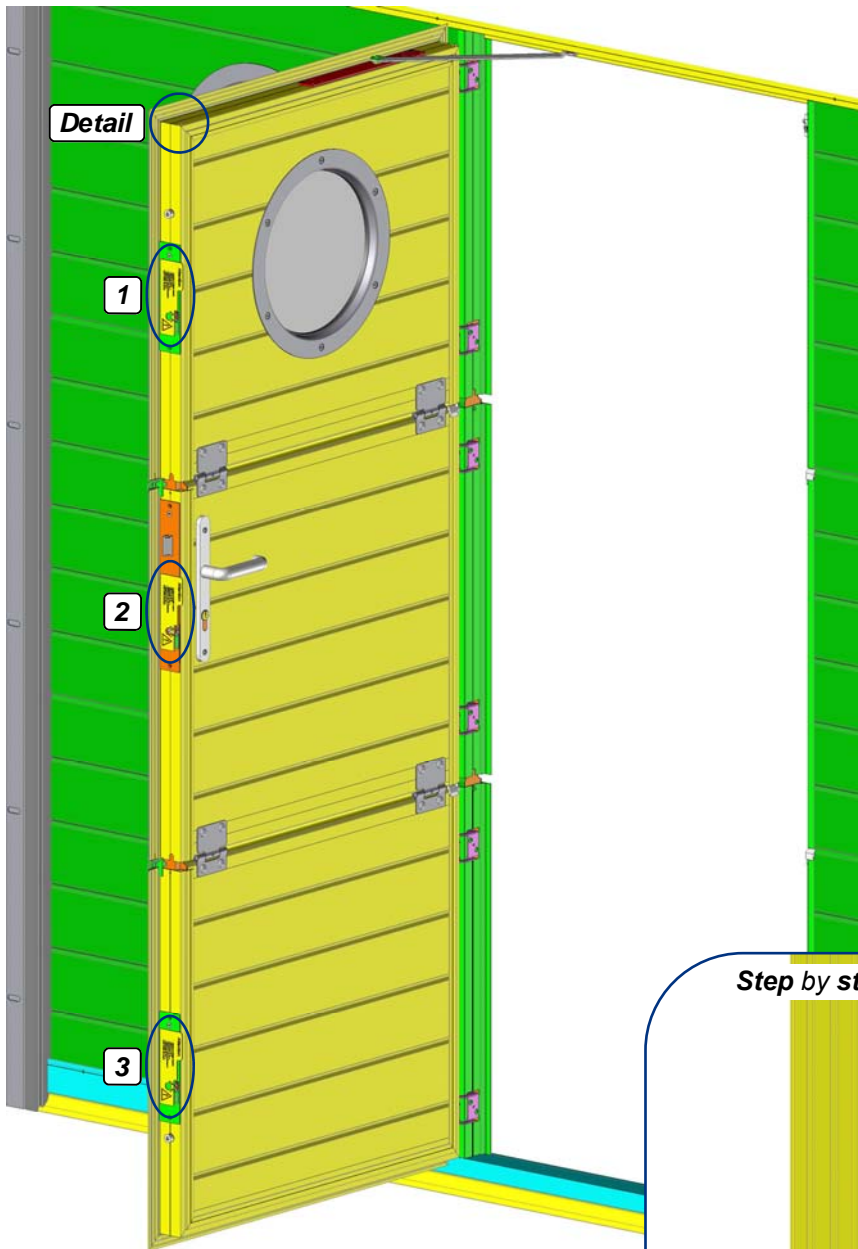
Installing the rod





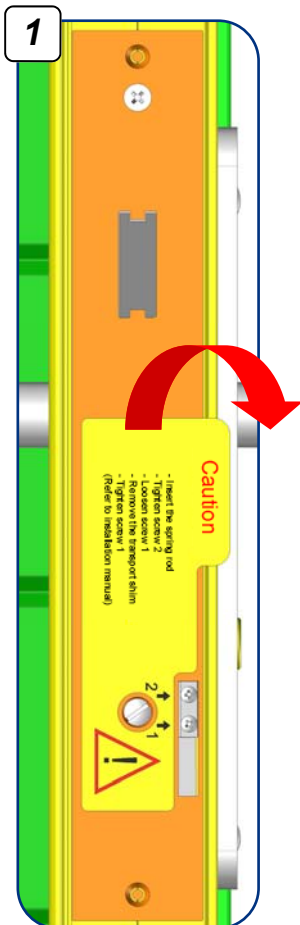
Slightly unscrew:
screw 2 **or** screw 1, to
facilitate the rod's path





Remove the screw:
 (1) TB Cross-head M3x6 with the transport shim (marker A) then fully tighten the screw (1)

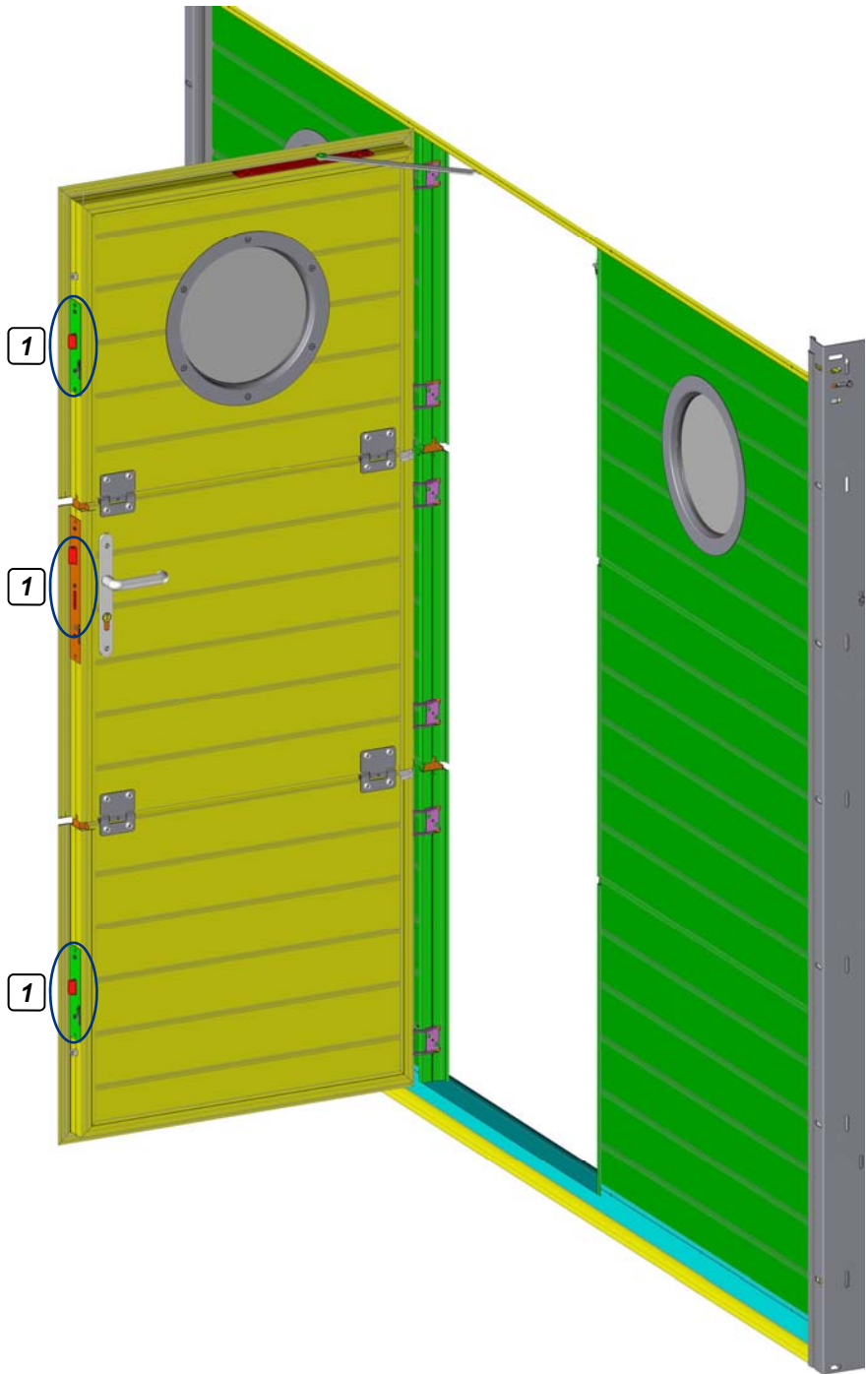
Activating the lock




Remove the label:
The latch must come out at position 1



Latch in position 1



 **Do not close the wicket door, proceed to the following chapter to test whether it is operating correctly**



Box operation test



Test 1

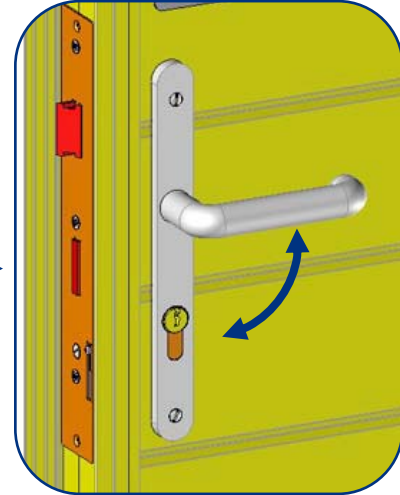
For all the boxes:
Press the release mechanism, the latches must come out at position 2.



Position 1



Position 2



Move the handle

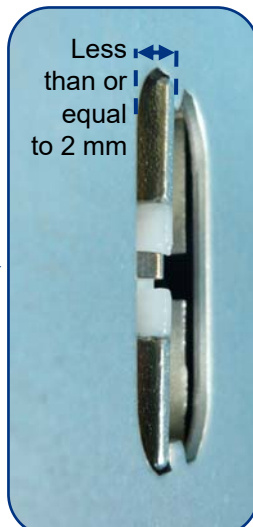
All the latches must go in and come out simultaneously and then return to position 1

Repeat the test 2 to 3 times

Test 2



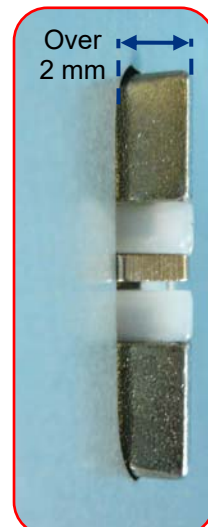
Move the handle and hold it down



Less than or equal to 2 mm

The latches should only come out as far as 2 mm or less

Non-compliant



Over 2 mm



If a latch comes out further than 2 mm, follow the recommendation in Test 2.

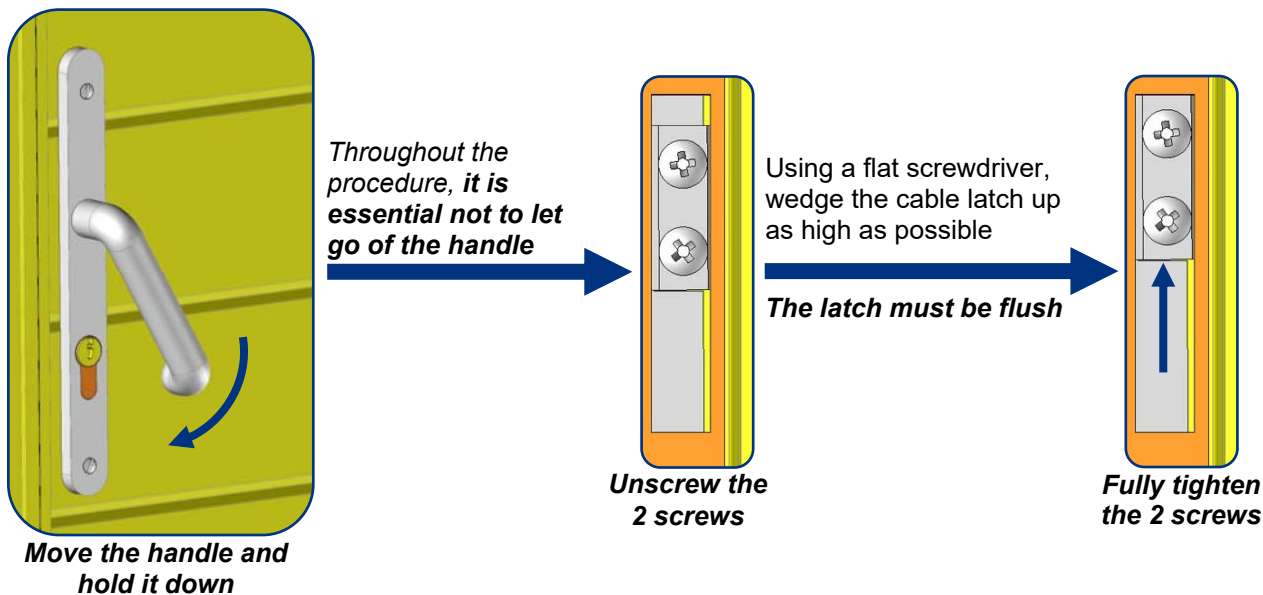


If not all of the latches are functioning correctly, do not shut the wicket door, call Customer Services. If you shut the wicket door, it will be impossible to open it again.



Tip: Test 2

If one or all of the latches comes out further than 2 mm, follow the procedure below:

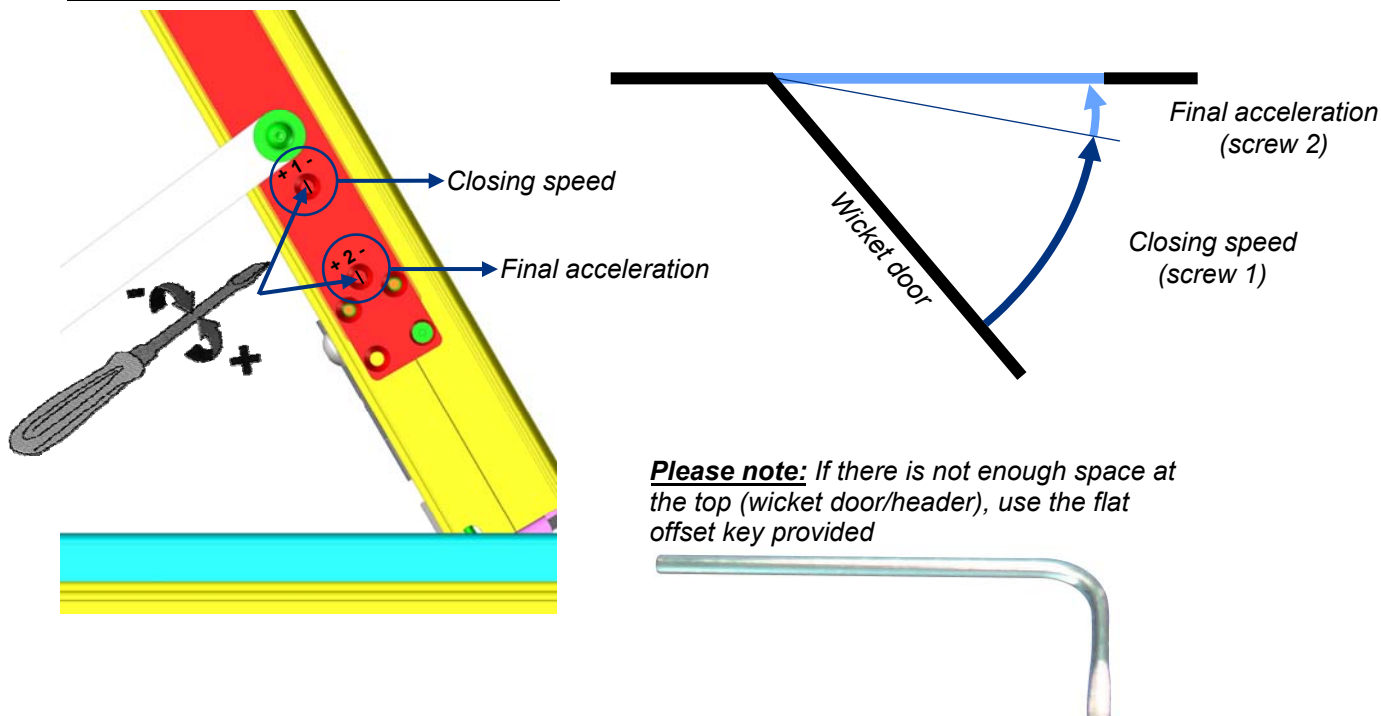


Check that when holding the handle down, the latches do not come out further than 2 mm, before closing the wicket door.

Please note: If the wicket door becomes stuck after closure, refer to the "SOLUTION" chapter on the following page.

Adjusting the door closure

Adjust the settings if necessary:



During closing, the latches must be engaged.

Solution: If the lock is stuck

! Depending on the specific case, it may be necessary to cut the spring rod between the panels.

Identify the blocked part inside:

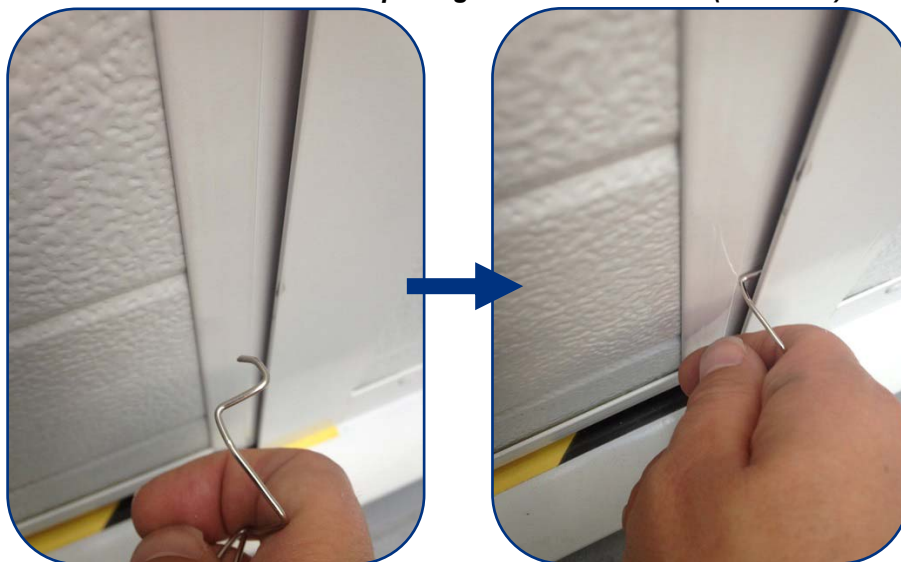
- Lower the handle and gently push the door onto each panel to identify the blocked area.

Make the hook



Actual size

Slide the hook into the opening of the wicket door (lock side)

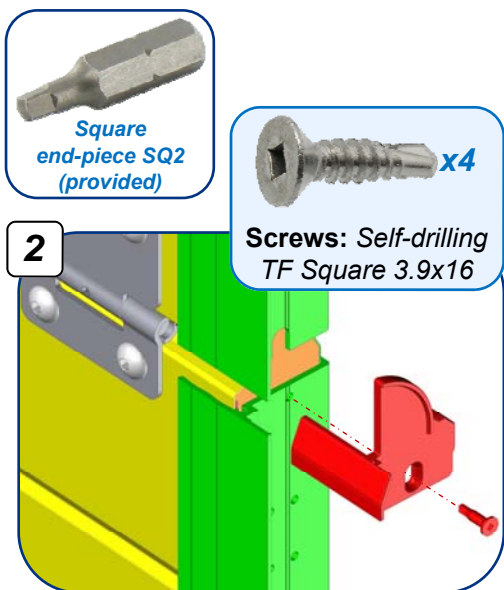


Then, carry out the steps described below, in order to hook one of the locks, while holding the handle down.



Once open, refer back to the chapter 'Box operation test' and set the latches correctly by following the steps of the test.

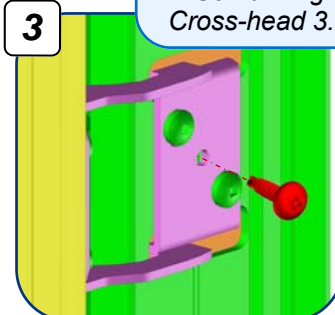
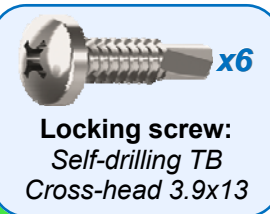
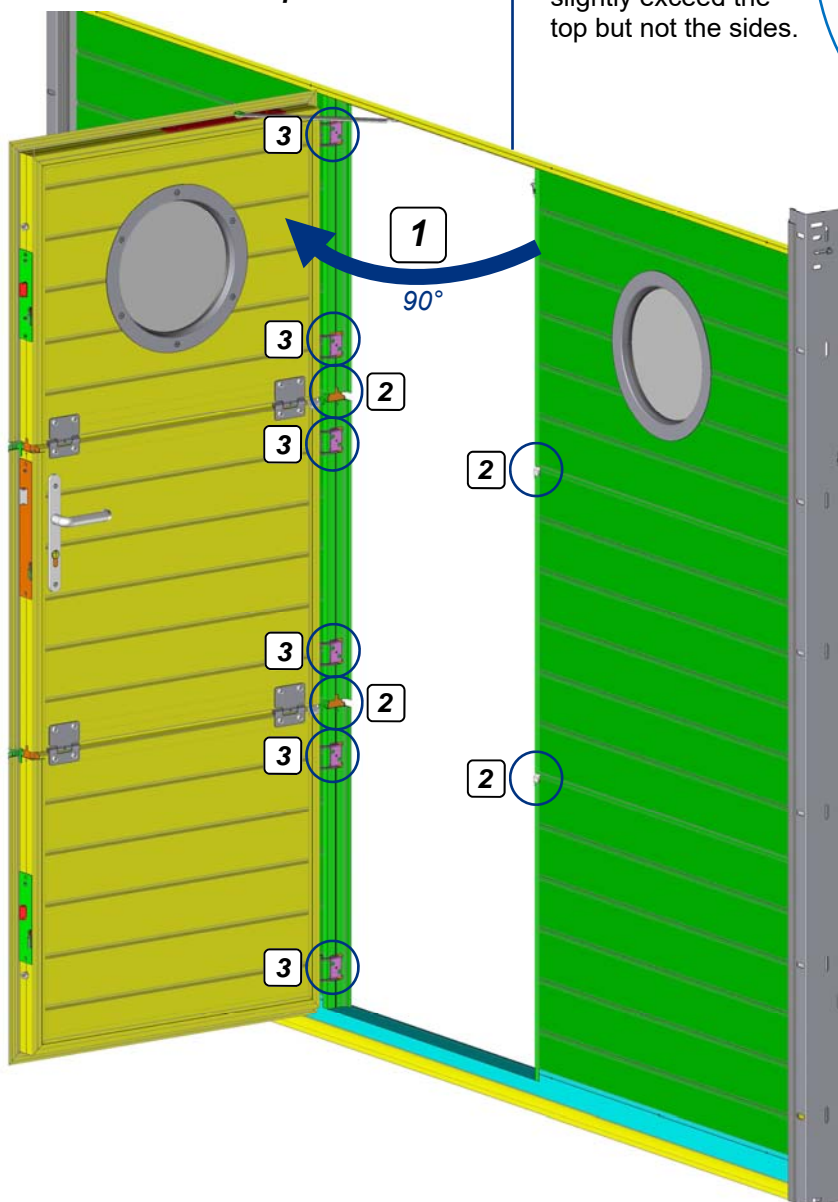
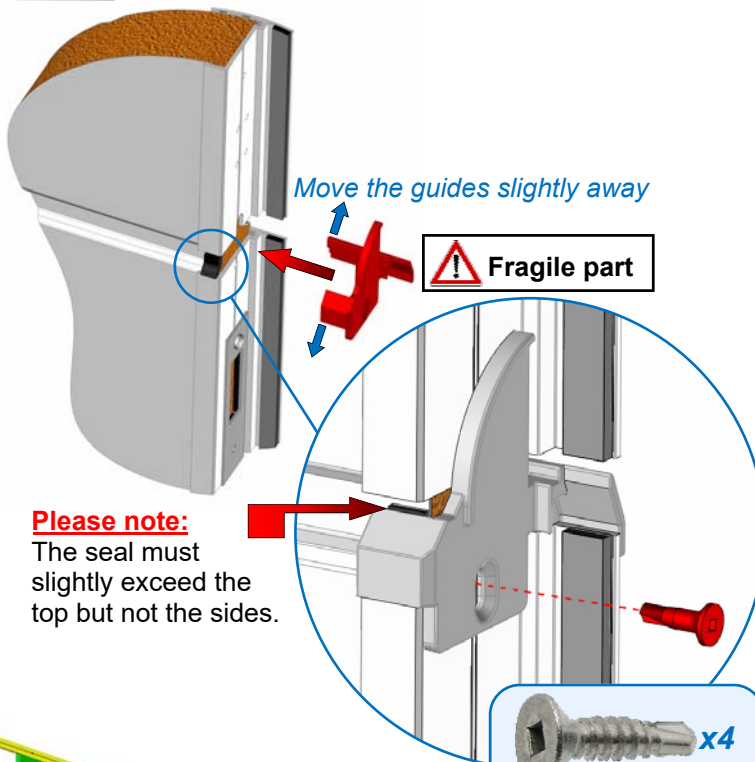
Wicket door finishes

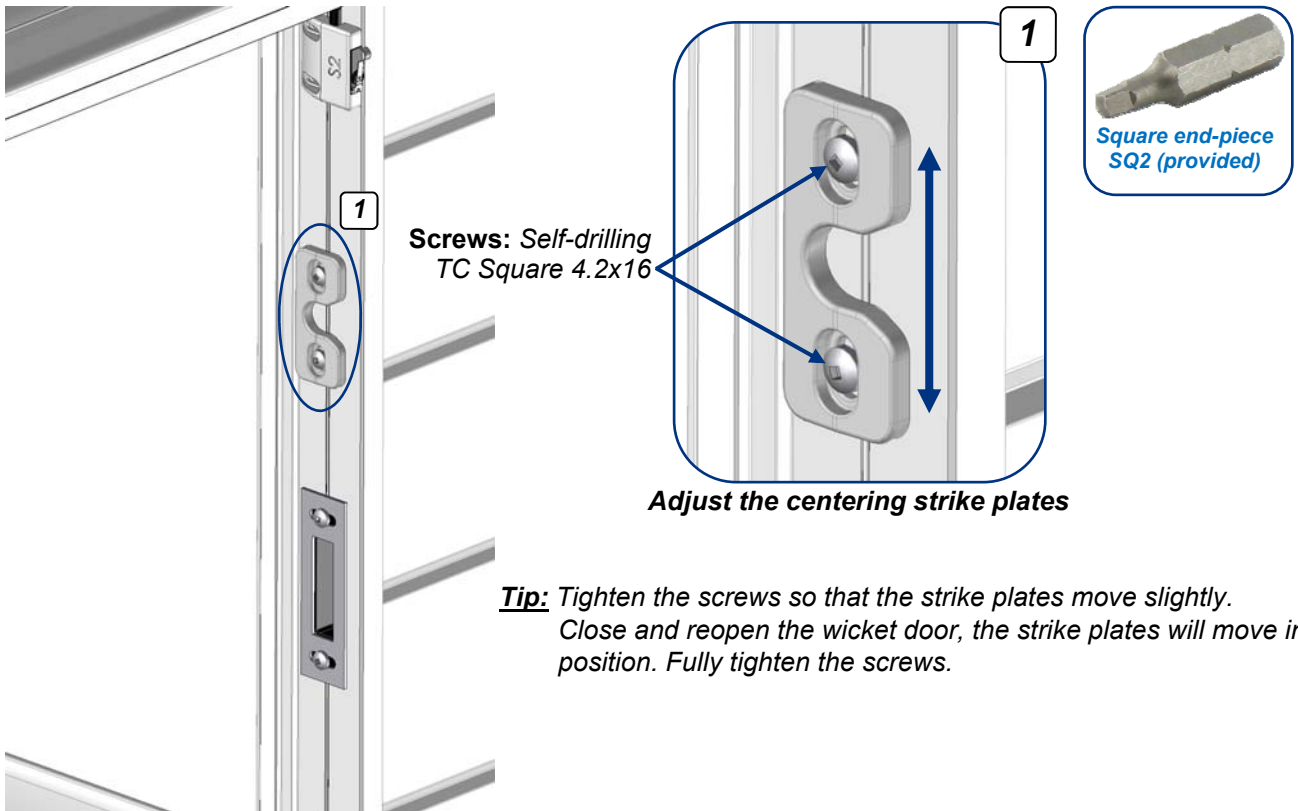


Install the plugs on the dead profiles

2a

Specific case: Single-grooved Panel

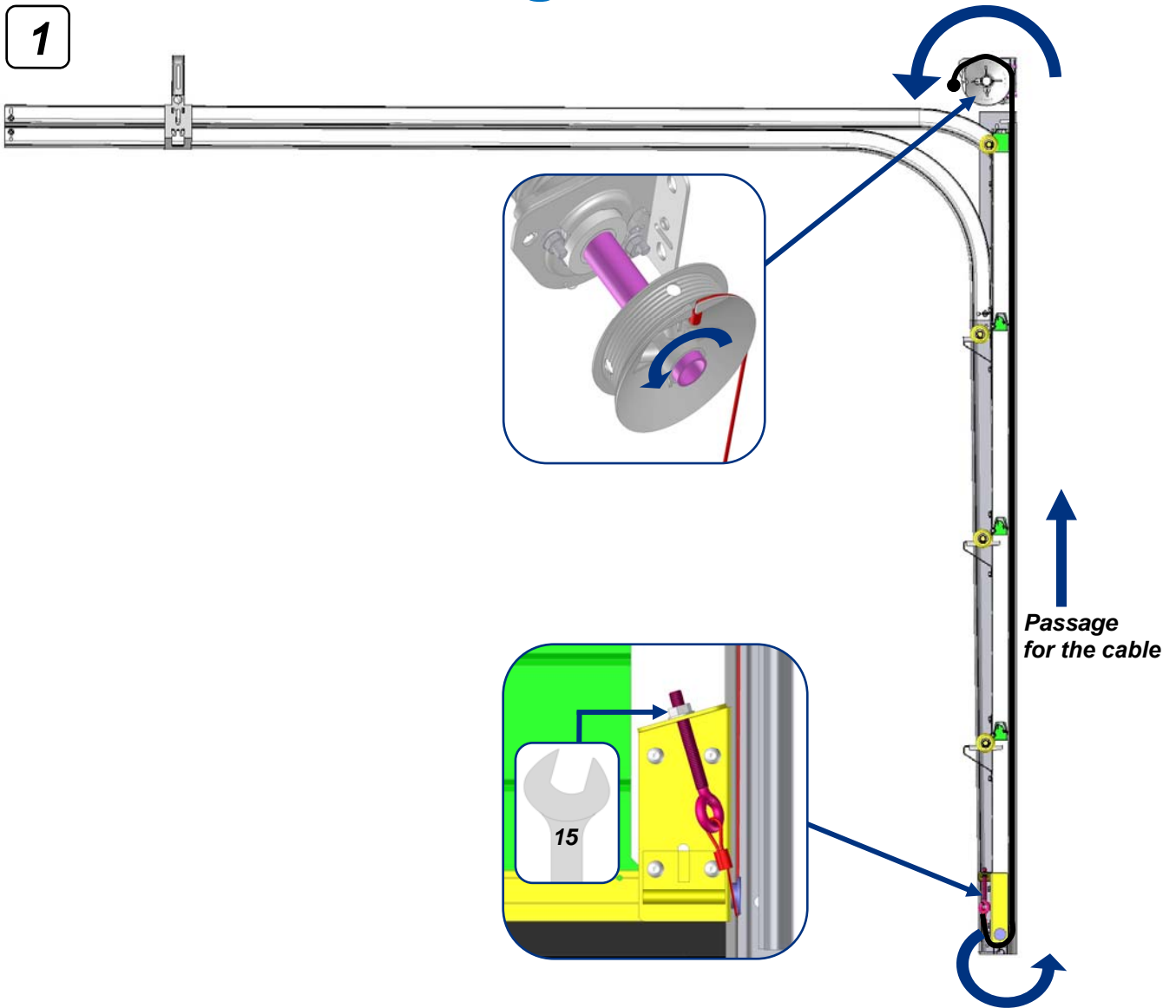




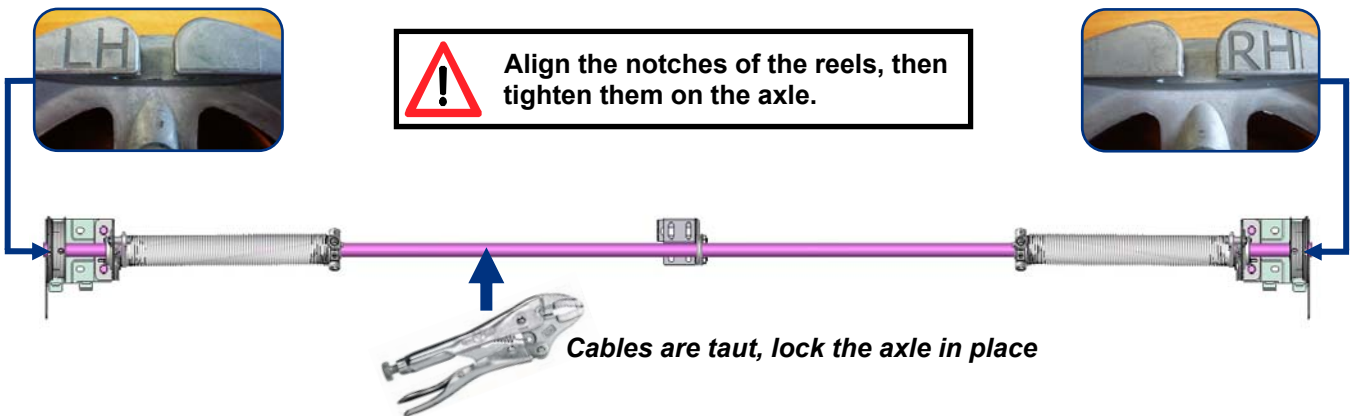
Once installation of the shutter is finished and the opening and closing of the wicket door has been tested, remove the shims under the threshold.

Installing the cables

1

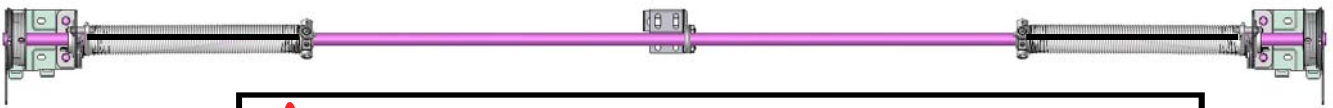
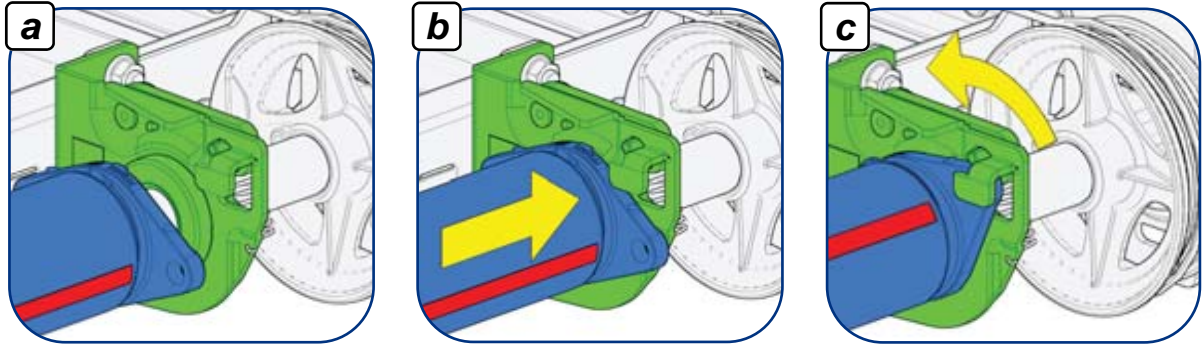


2

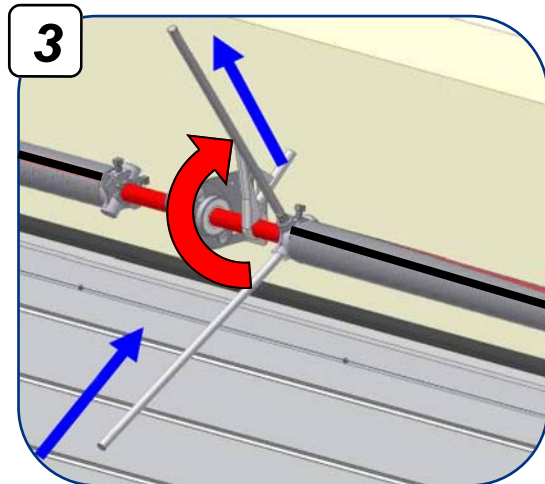
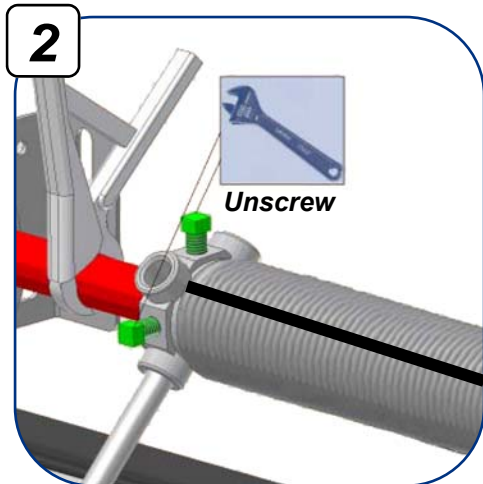


Spring tension

1 Locking the spring in place



! Tighten the bottom springs towards the top, in accordance with the number of turns displayed on the label stuck to the axle.



Example: Number of turns: 6 5 4 3 2 1

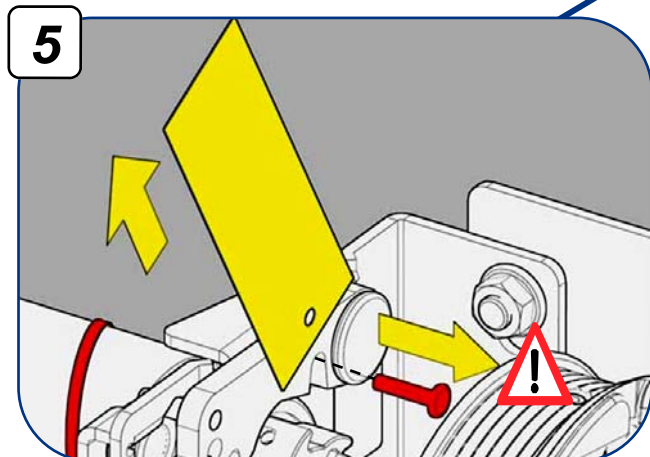
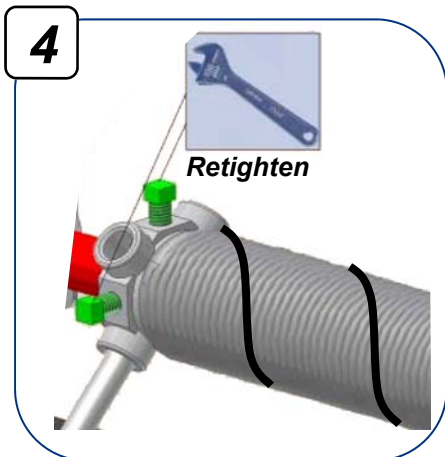
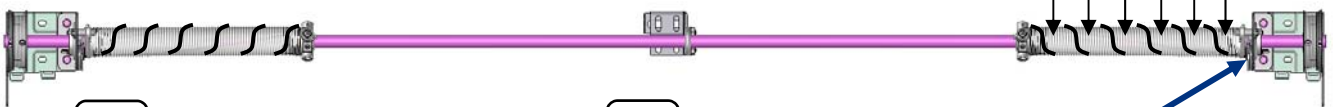


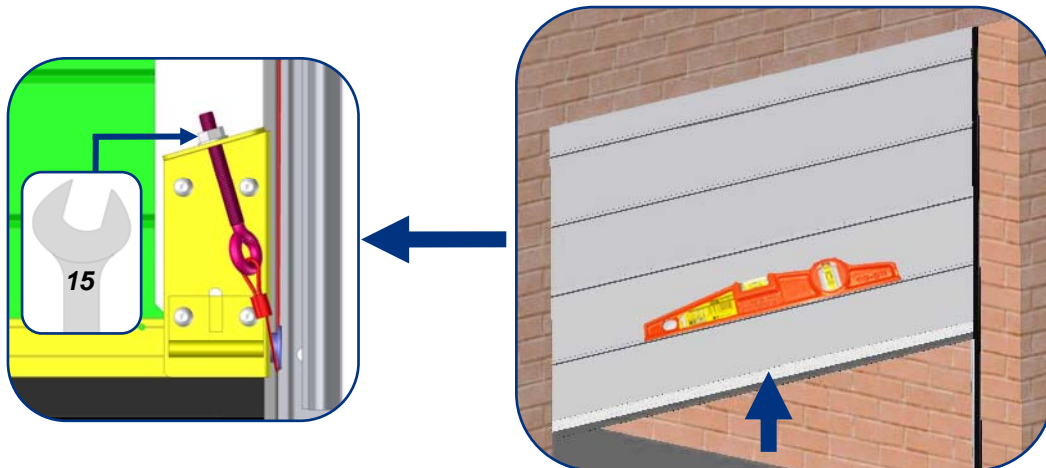
Table for number of spring tension turns

Passage height (in mm)	Number of tension turns
≤ 1,820	6
From 1,821 to 1,998	6.5
From 1,999 to 2,209	7
From 2,210 to 2,347	7.5
From 2,348 to 2,519	8
From 2,520 to 2,714	8.5
From 2,715 to 2,885	9
From 2,886 to 3,000	9.5

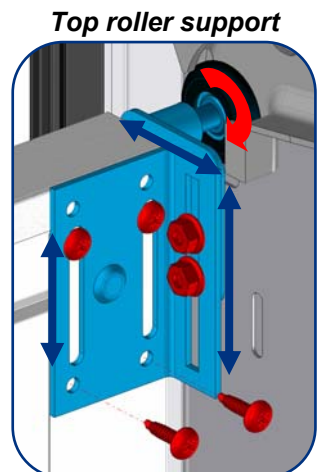
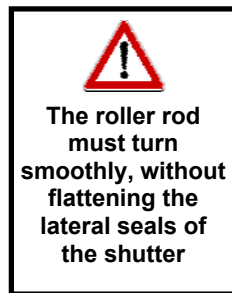
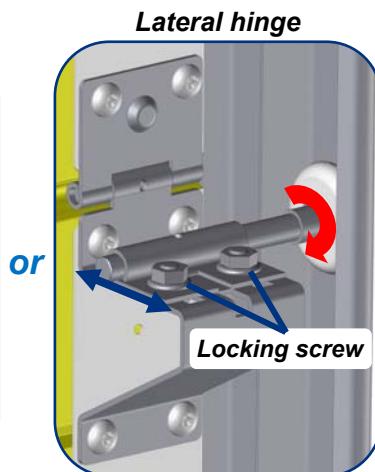


Door settings

Adjustment of horizontal level



Setting the roller guides

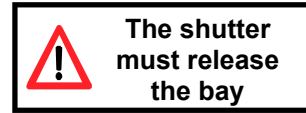
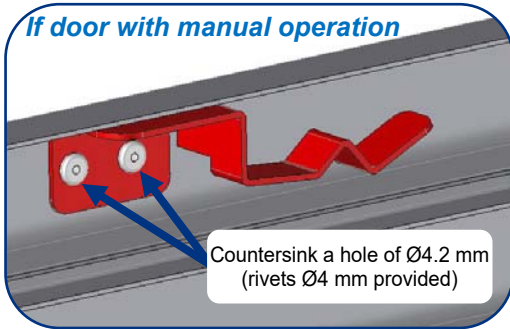


After adjustment, insert the screws: Self-drilling TB Torx 6.3x25

Door finishes

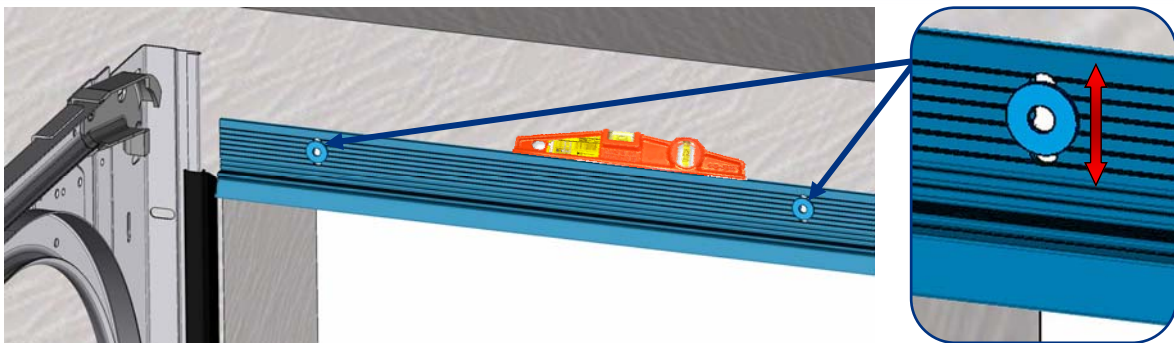
Attach the end position clips

If door with manual operation

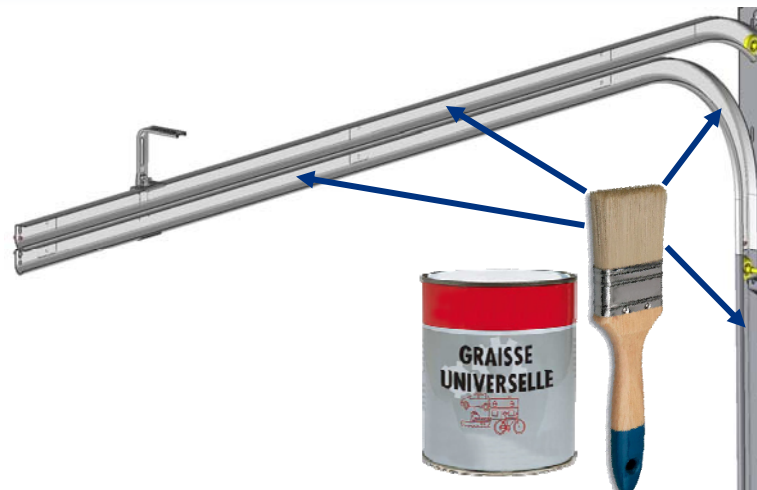


Repeat the process on the opposite side

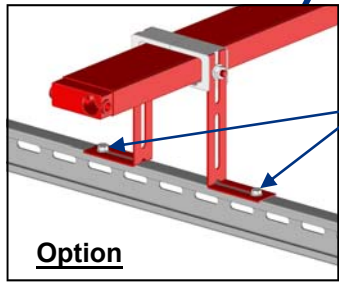
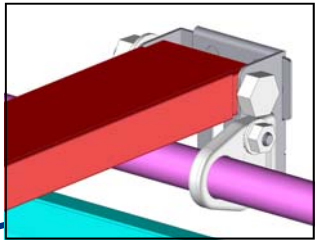
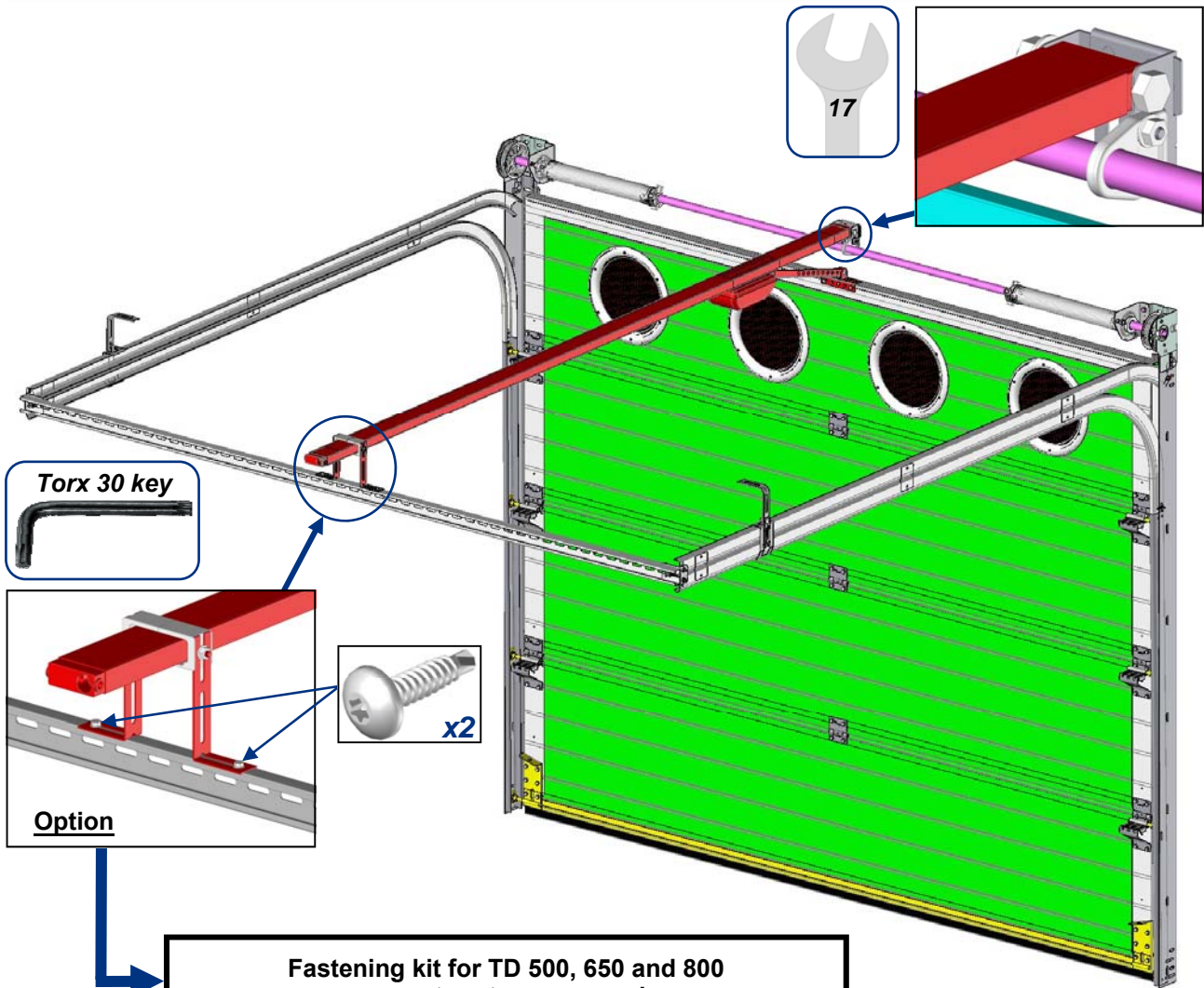
Adjust the seal on the header



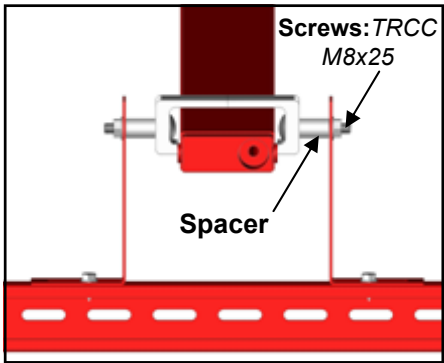
Grease the bottom of the rails



If door with motorized operation



Fastening kit for TD 500, 650 and 800 operators to spacer rod



Installing the handle and latch

1st intermediate panel

Option

Rubber threshold section, to be glued to the floor between the rails.
(Refer to manual: Rubber threshold)

Ø5 Inner side
Ø10 Outer side

Screws:
Pozidriv 5x60

Ø4.2: Inner side
+ Insert screw: Self-drilling TB Torx 6.3x25

or

If deluxe kit

Drill a hole in the rail for the latch to pass through.

Installing the lock (option)

The lock and the installation manual can be found in the accessory pack.

Installing the pull cord (if manual door)

a

On the rail

Ø6.5 mm

+ Screws: TH M6x16
+ Nuts: M6

b

On the bottom panel

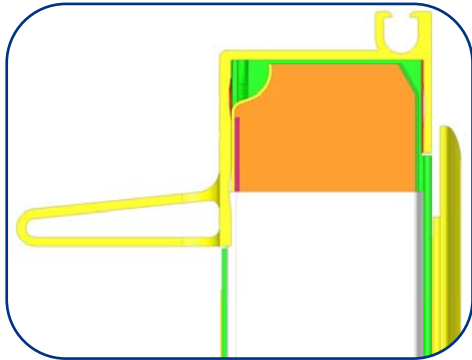
30

Screws: Self-drilling TB Torx 6.3x25

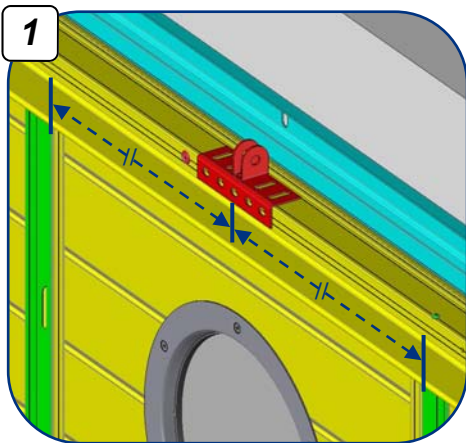
Electric drive (option)

To install the operator, refer to the TD operator manual provided.

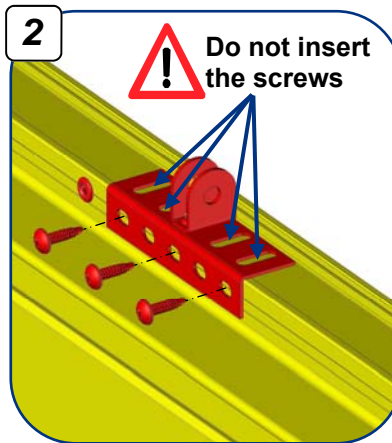
Attaching the operator arm



If final panel with top profile (stiffener)

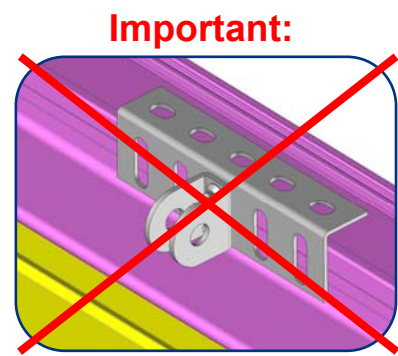


1



2

Do not insert the screws



Important:

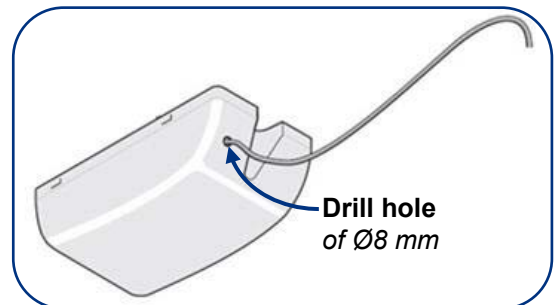
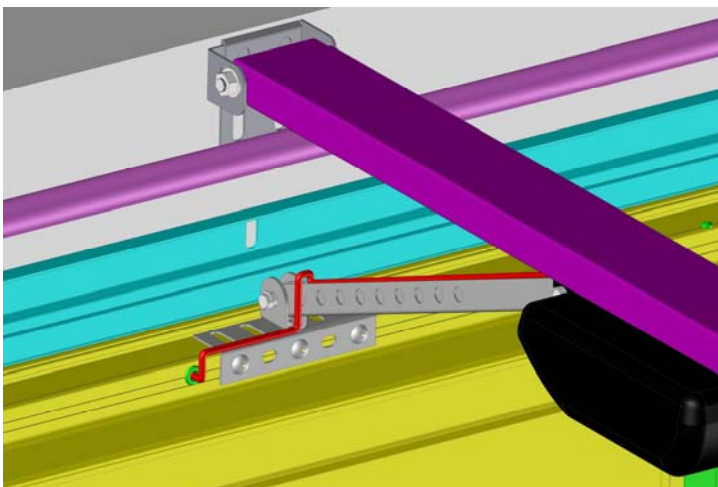
Do not move the bracket

Screws: Self-drilling
TB Torx 6.3x25

Please note:

If the final panel has a U profile, carry out the standard installation in accordance with the operator manual.

Connecting the safety micro switch to the TD operators (wiring)



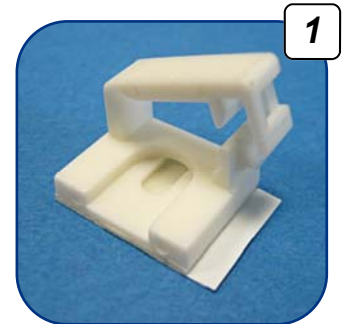
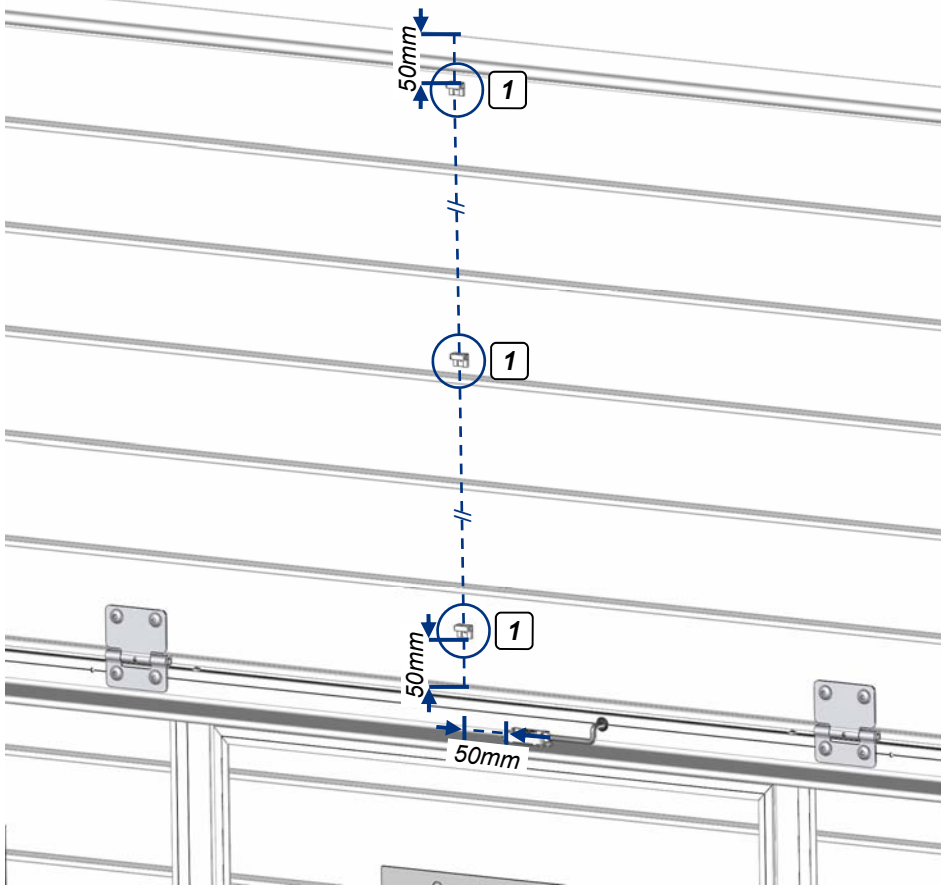
Drill hole of Ø8 mm

Unclip the cover

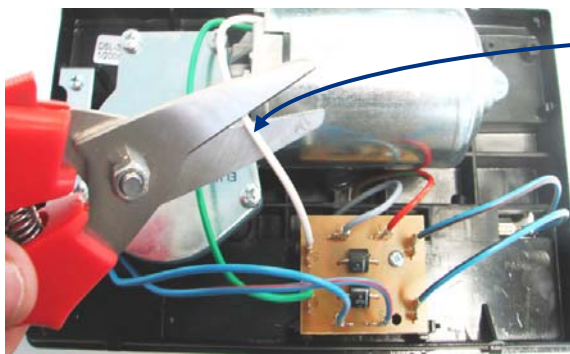
If there are 3 or 4 panels:
Pass the electric cable of the micro switch along the length of the operator arm



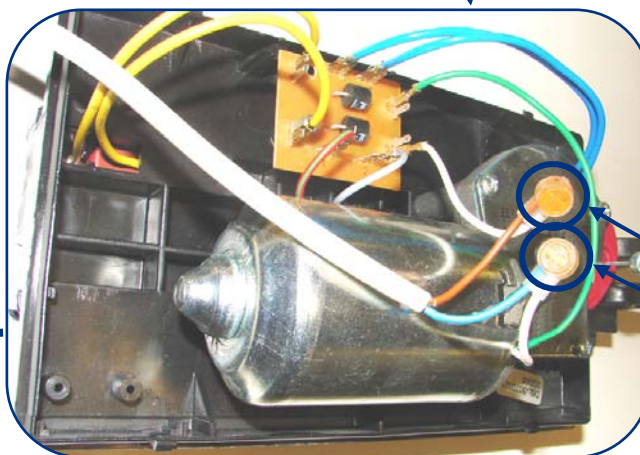
If there are more than 4 panels: align the cable towards the operator arm and attach it to the panels using the lockable adhesive cable-clamps (provided).



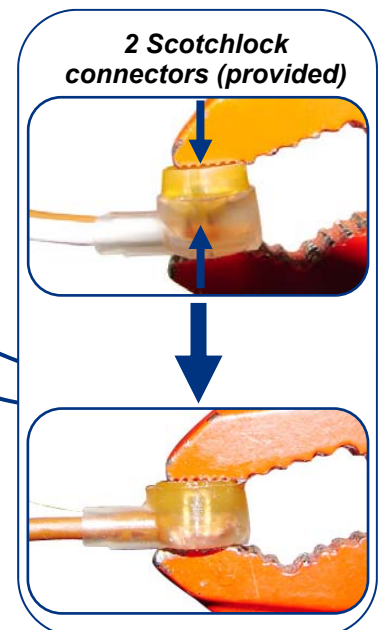
Lockable adhesive cable-clamp



Cut the white wire



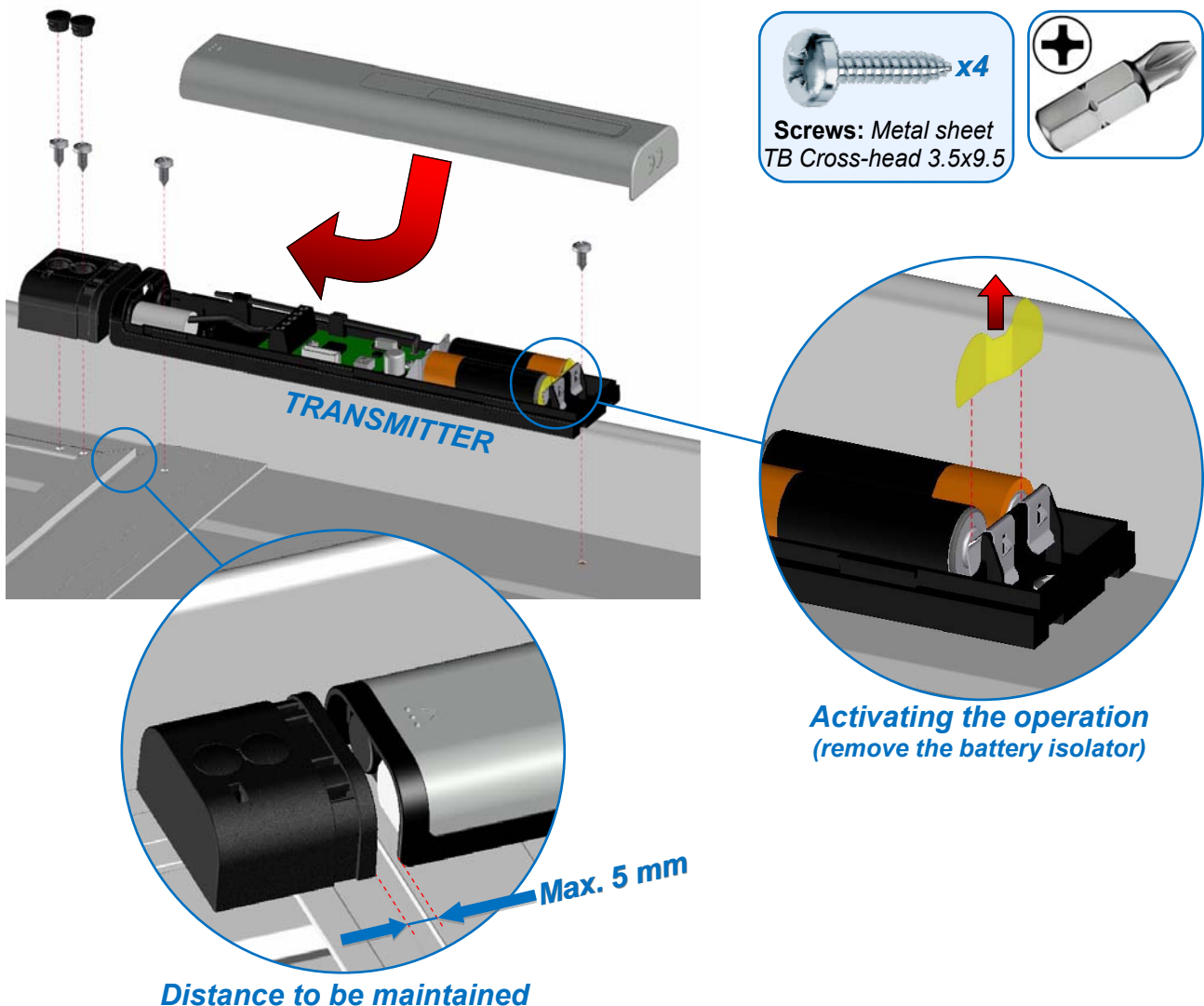
Connect the 2 white wires on the operator in sequence with the 2 micro switch wires



2 Scotchlock connectors (provided)

Check that the micro switch is working, then clip on the operator cover again.

Installation: Safety contact radio (wireless) on top panel of wicket door



Distance to be maintained

Please note: The transmitter is already programmed into the receiver in the factory.

Malfunctions related to the beeps and LEDs in case of error:

Low battery: 4 beeps every 20 seconds → LEDs B1/B2 are switched off.

- Solution:

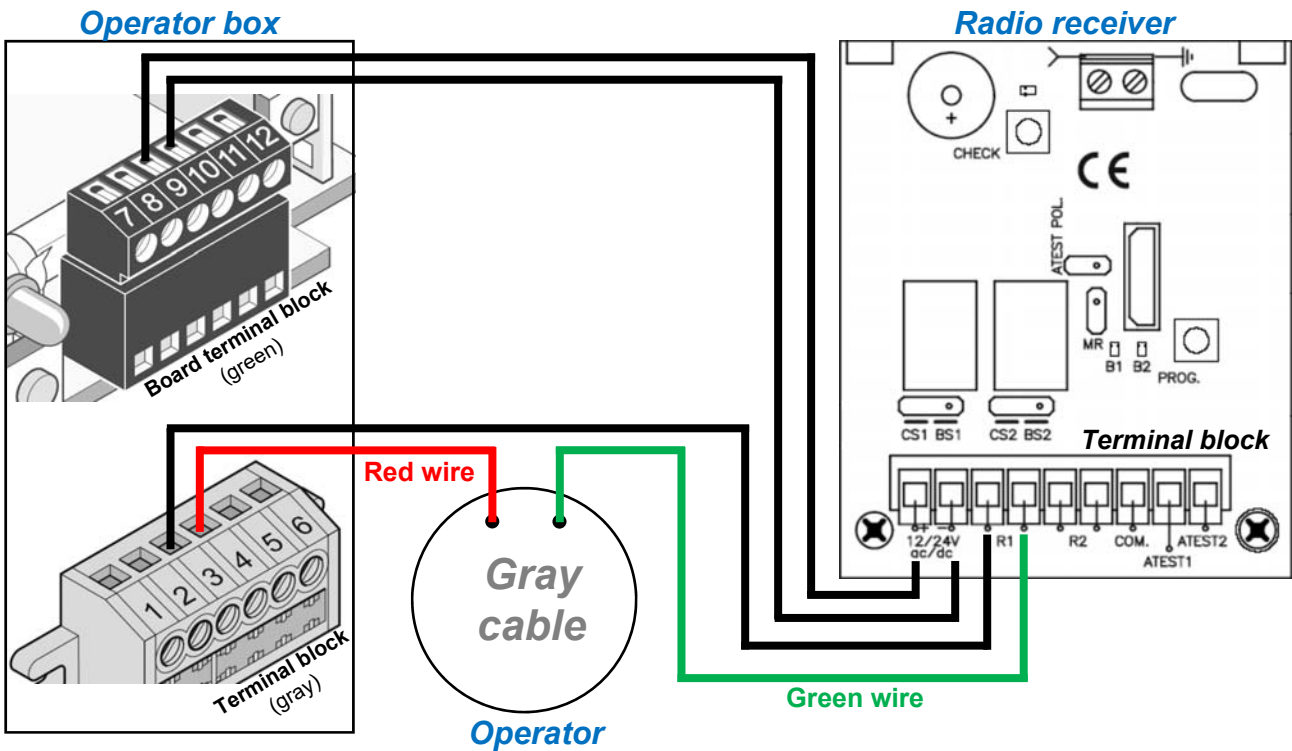
- Check the power supply to the radio receiver.
- Change the batteries.

Radio communication failure between the transmitter and the receiver: No beeps → LEDs B1/B2 are on.

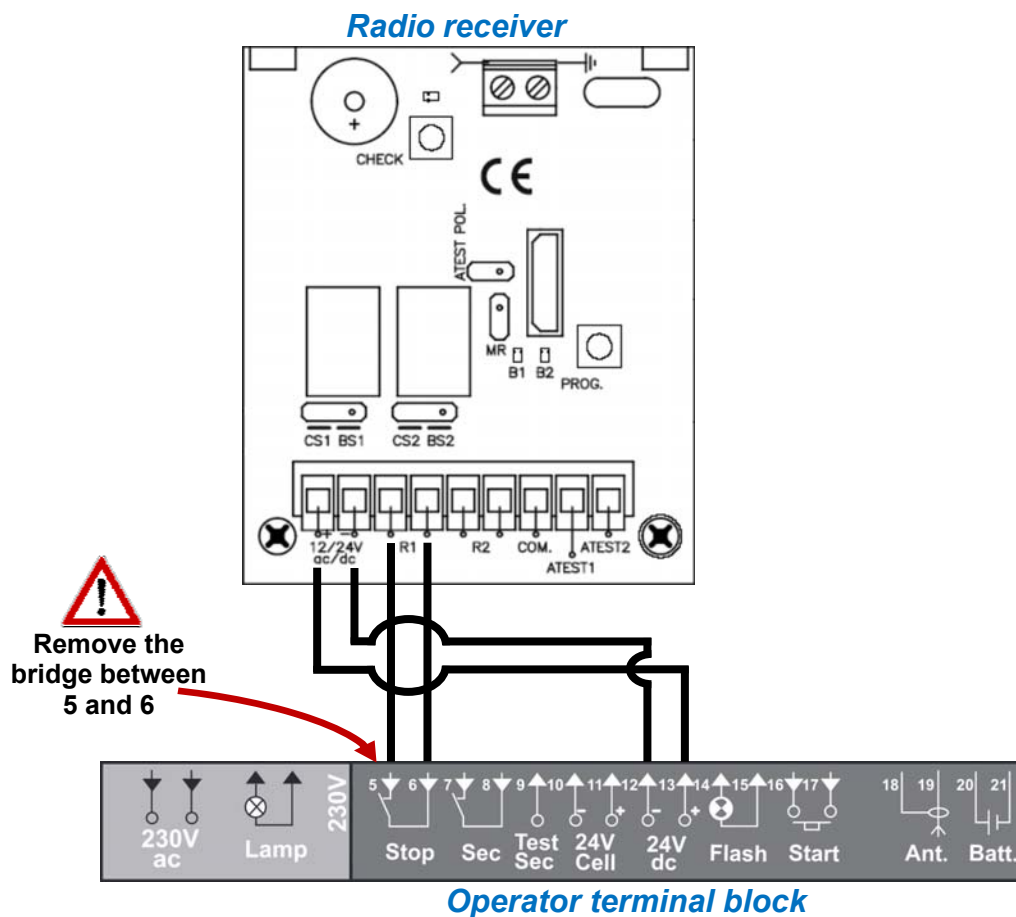
- Solution:

- Check that the battery isolator has been removed from the transmitter.
- Reprogram the transmitter into the receiver (refer to the contact radio manual provided).

Connection: Safety contact radio (wireless) to the TD operators

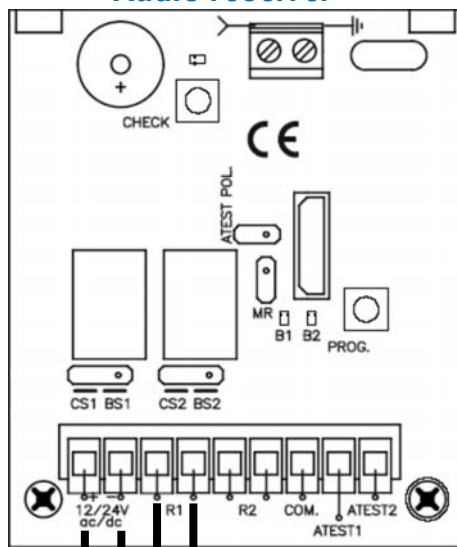


Connection: Safety contact radio (wireless) to the Dexxo Pro 800 io operator



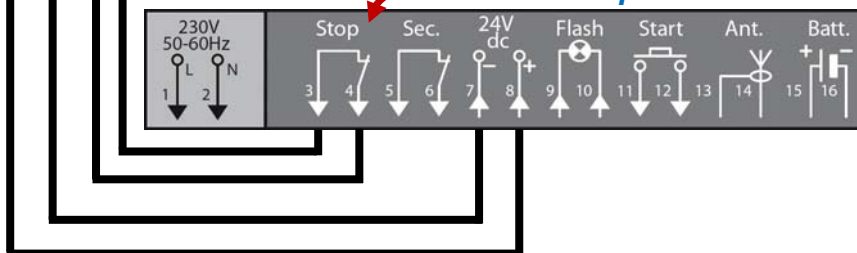
Connection: Safety contact radio (wireless) to the Dexxo Optimo RTS operator

Radio receiver



Remove the bridge between 3 and 4

Operator terminal block



In case of incorrect manual functioning

- Check that the vertical rails are plumb and that there is a 48 mm gap between the rails and the edge of the panel.
- Check that the bottoms of the vertical rails are at the same horizontal level.
- Check that the horizontal rails are aligned in relation to the vertical rails and that there is a 48 mm gap between the rails and the edge of the panel.
- Check that the horizontal rails are perfectly aligned with each other, and that they are perpendicular to the header and level.
- With the door raised to roughly 1.00 m height, check that the shutter is perfectly level.
- Check that the lateral seals have not been compressed and that the sealing of the shutter is even.

IMPORTANT: If the shutter is incorrectly adjusted and is flattened too tightly against the lateral seals, the door will not function correctly.

- Adjust the compensation setting by 1/4 turn on the springs. This will enable correct manual operation of the shutter.

PLEASE NOTE: Difference in tolerated tension between the springs = 1/2 turn.
After being operated several hundreds of times, it may be necessary to slightly retighten the springs.



If one or more of the anti-fall guards is blocked, contact a trained installer.

