

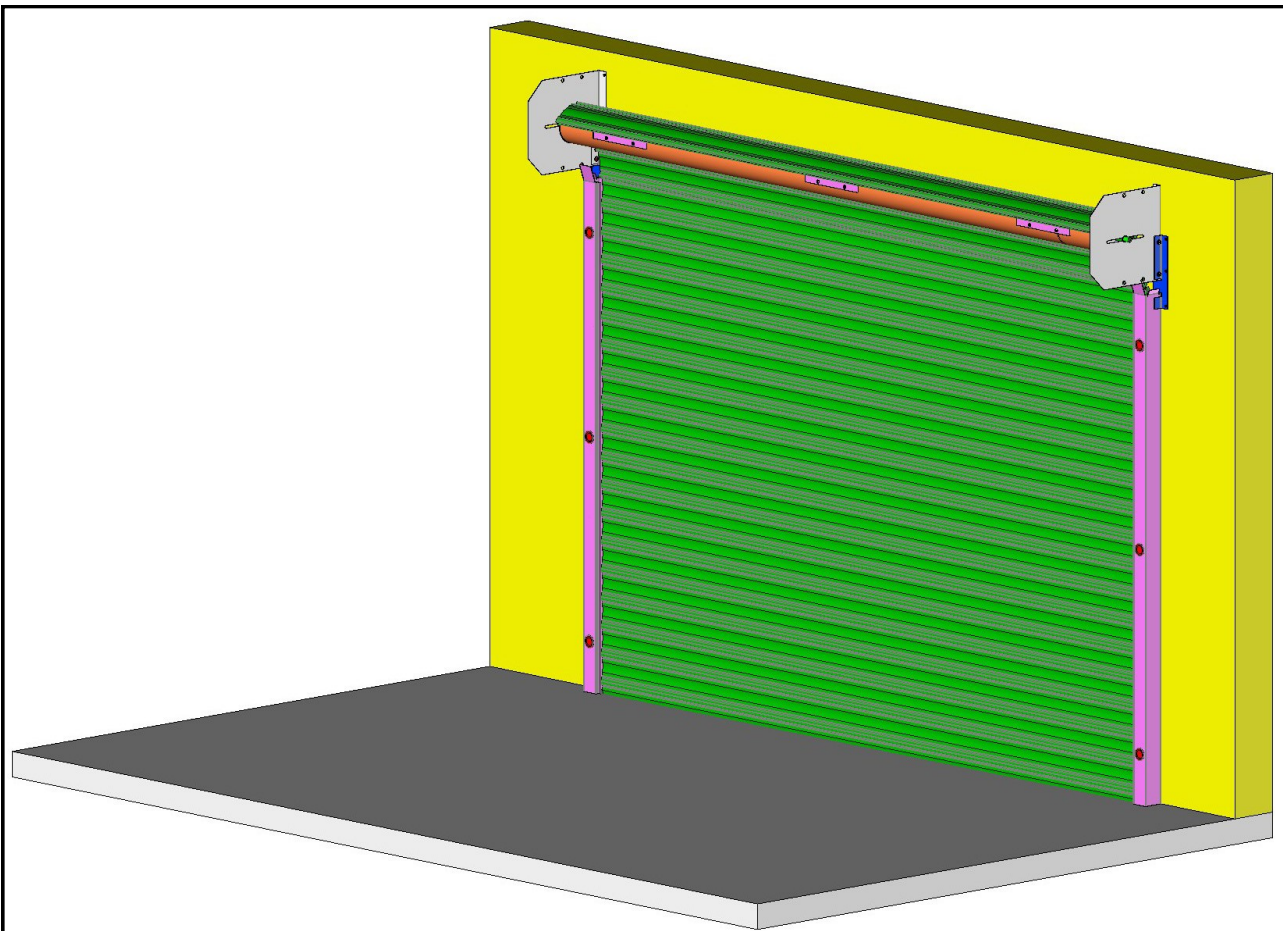
Installation and connection manual

No. 7063

07/17

Insulated Murax Shutter

Installing the shutter (guiding rail + shutter)
and connecting the safety edge
to the PIC 4410, CS 300/310 or Murax Villa 2 box



(Document reserved for installers)

Contents

Required equipment.....	p.2
Installation instructions	p.3
Installing and attaching the guiding rails.....	p.4
Installing the plates + connecting parts	p.5
Attaching the plates + connecting parts to the wall.....	p.6
Installing the axle.....	p.6
Assembling the shutter	p.7
Finishes.....	p.9
Connecting the safety edge to the PIC 4410 box	p.10
Connecting the safety edge to the CS 300/310 box.....	p.11
Connecting the safety edge to the Murax Villa 2 box	p.11
In case of a problem with operation.....	p.12

Required equipment

- | | |
|---------------------|--------------------------------------|
| - Lifting equipment | - Flat wrenches: 8, 10, 15 and 17 mm |
| - Clamps | - Hexagon keys: 5 mm |
| - Spirit level | - Socket wrenches: 10, 15 and 17 mm |
| - Plumb bob | - Screwdriver |
| - Tape measure (5m) | - Grease and brush |
| - Hammer drill | - Multi-grip pliers |

Installation instructions



CAUTION!

To ensure that this product is assembled, used and maintained in complete safety, it is important to follow the instructions provided in this document. For everyone's safety, please observe the precautionary measures below



- * Before beginning the assembly, read this manual carefully.
- * This closure must be installed by a professional technician.
- * All the parts delivered are specifically sized for this product. Adding and/or using other parts may be detrimental to safety and may affect the product's warranty.
- * Any modification or improvement of this closure must be compliant with the standard EN 13241 + A2. In this case, a "modification/transformation" file must be created by the installer as per the standard EN 12635 annex C.
- * Considerable force is exerted by the torsion springs. This work must therefore be carried out in accordance with the safety instructions. Use the appropriate tools to install these products. Ensure that the work is carried out on a stable floor.
- * Ensure that the assembly area is adequately lit, clear, clean and clearly marked out.
- * Ensure that no other people are present at the assembly site apart from the installers. Non-authorized persons (children for example!) who are present at the site risk injury during assembly.
- * All the components of this closure must be installed in compliance with the installation instructions provided in this manual.
- * All the requirements of the standards EN 13241 + A2 must be met and verified if necessary.

Max. locking torque:

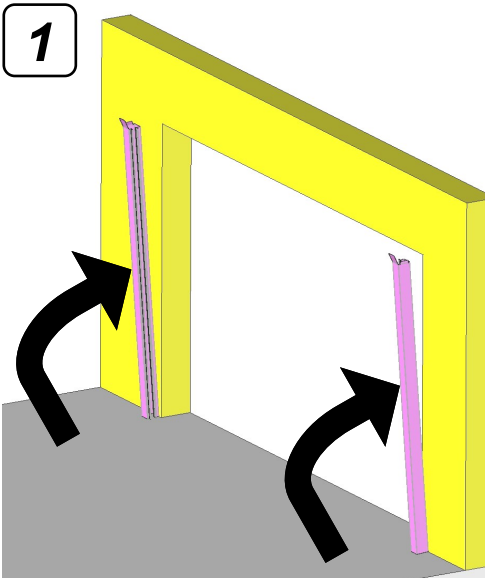
- Assembly screw: **10 Nm**
- Shutter assembly screw: **12 Nm**

Min. working load per attachment point:

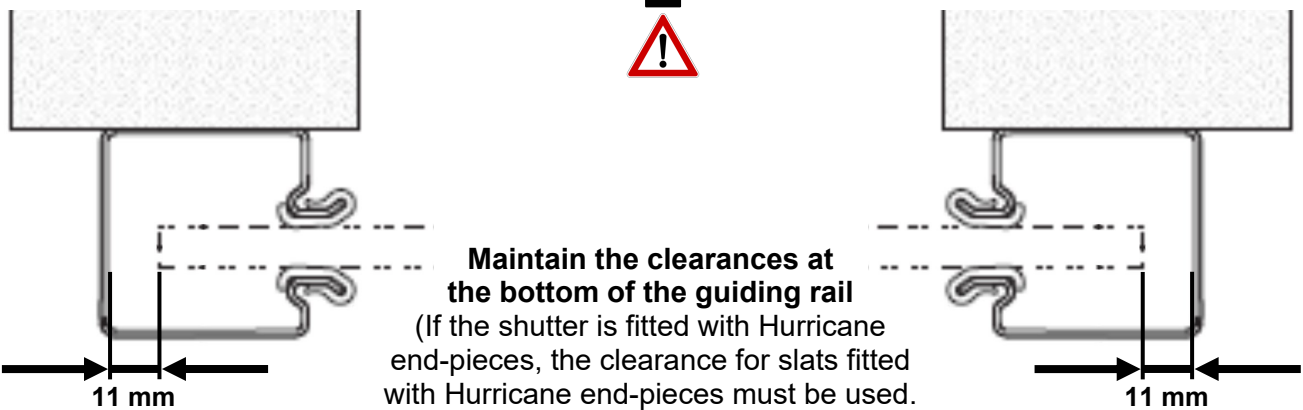
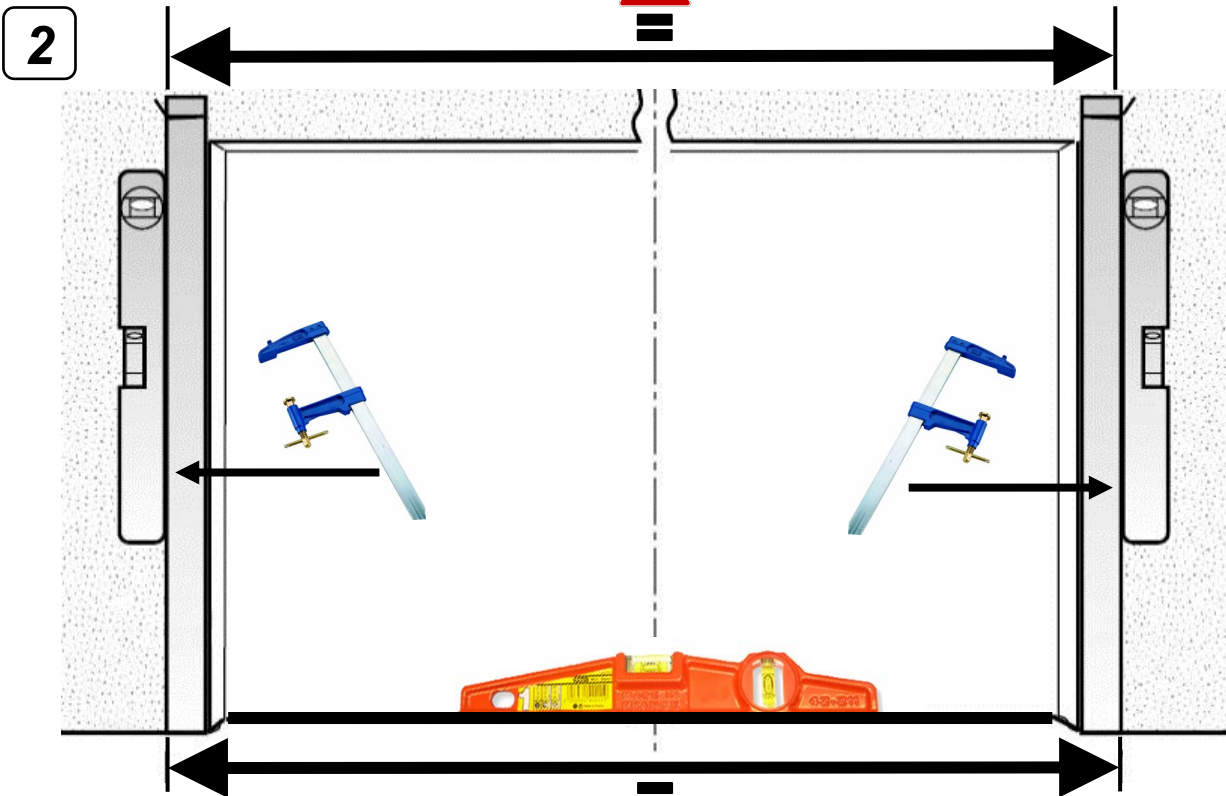
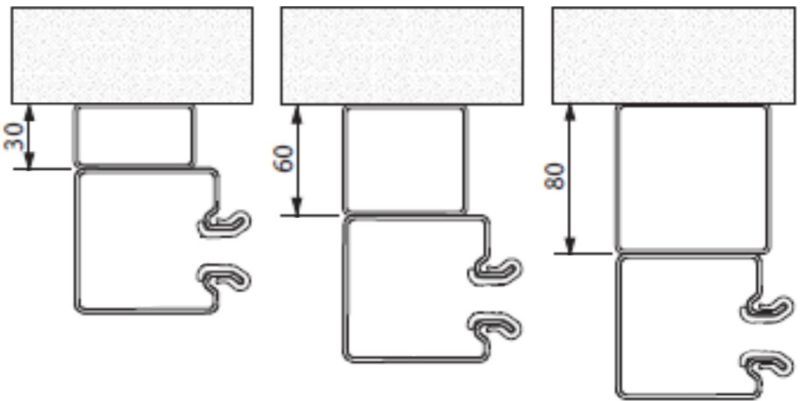
- Plates: **300 daN**
- Guiding rails: **40 daN**

Please note: If installing on an iron structure, the guiding rails and plates can be welded to the building. In this case, a cord of approximately 50 mm must be attached to each side, roughly 800 mm apart.

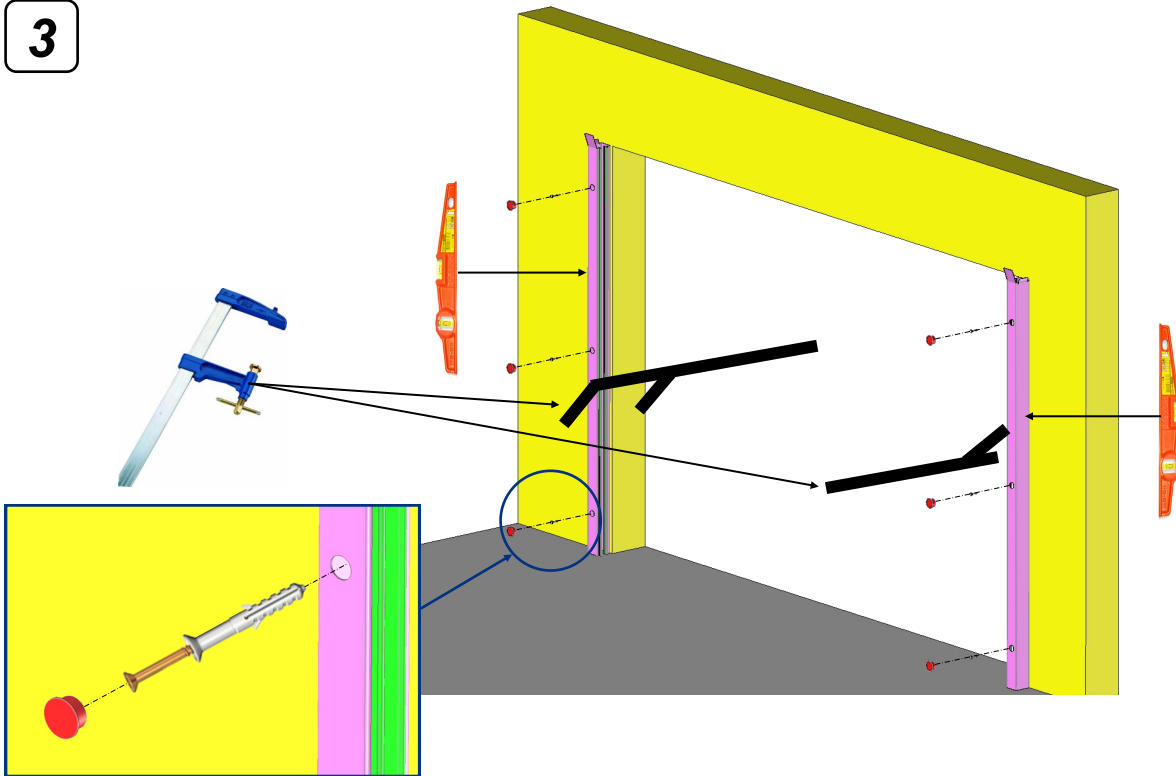
Installing and attaching the guiding rails



If posts are offset:



3



Adapt the fittings
+ (not provided) **depending**
on the support

Or Weld the guiding rails:
Attach a cord of approximately 50 mm to each side of the guiding rail, roughly 800 mm apart.

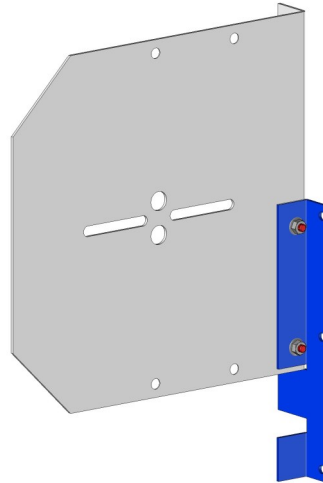
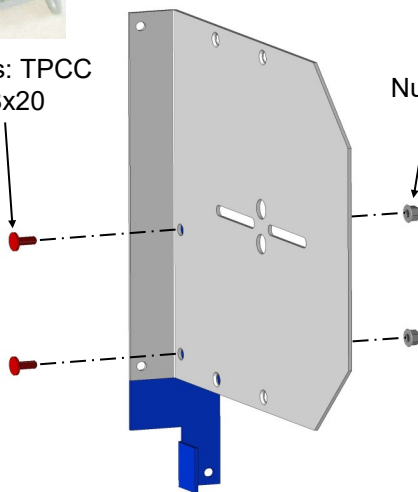
Installing the plates + connecting parts




Screws: TPCC
M8x20



Nuts: M8

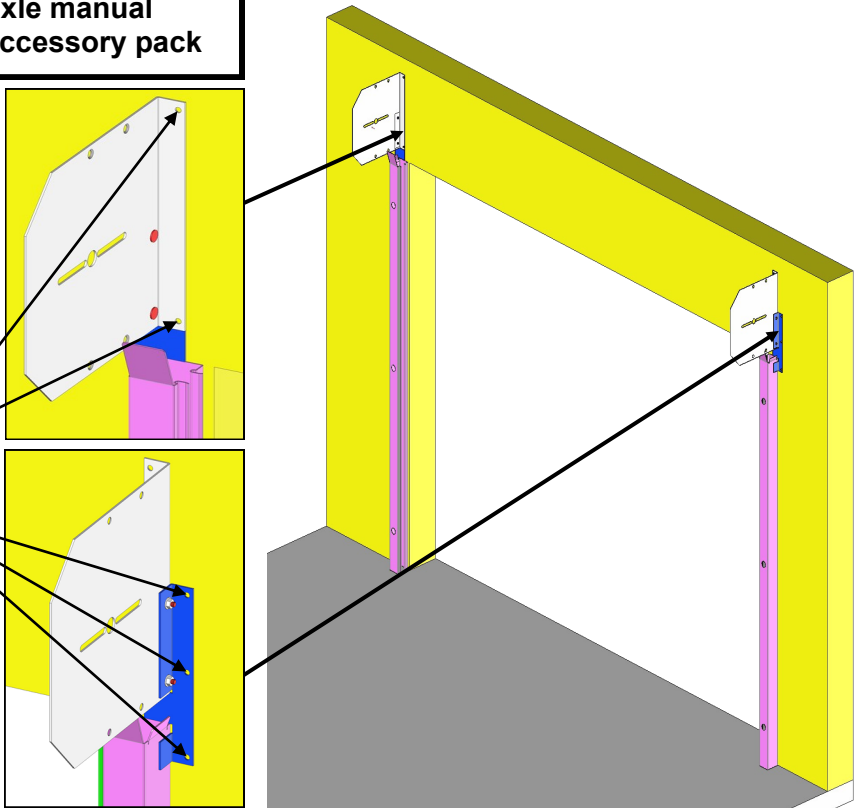


Attaching the plates + connecting parts to the wall


 Refer to the axle manual provided in the accessory pack

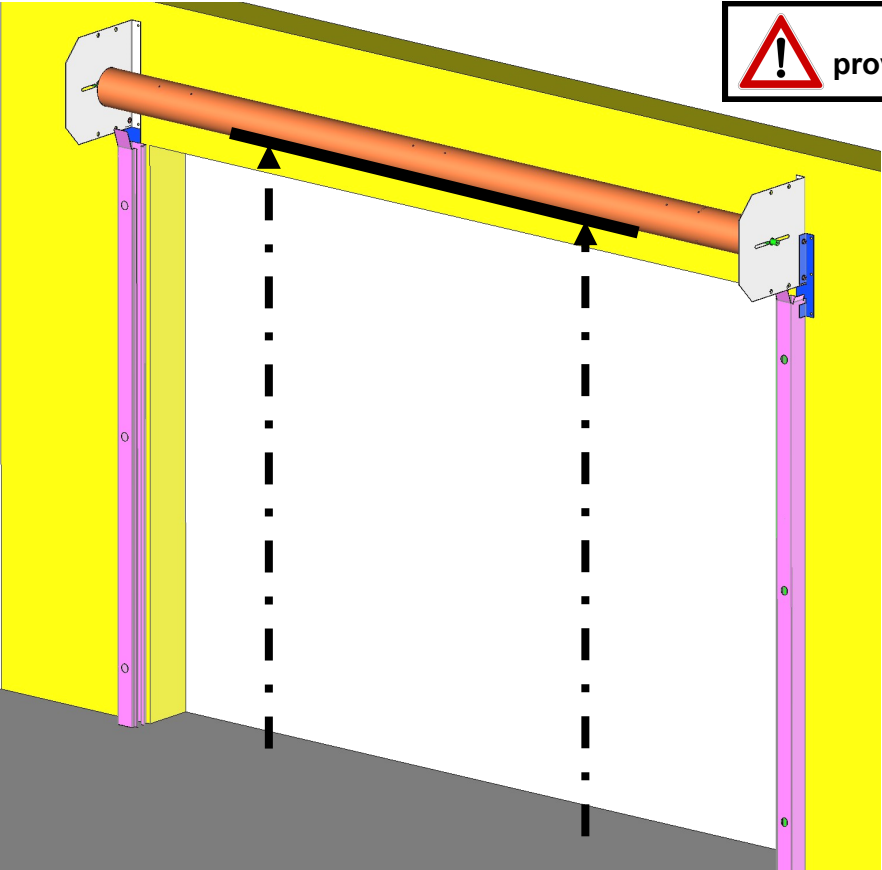


Adapt the fittings (not provided) depending on the support



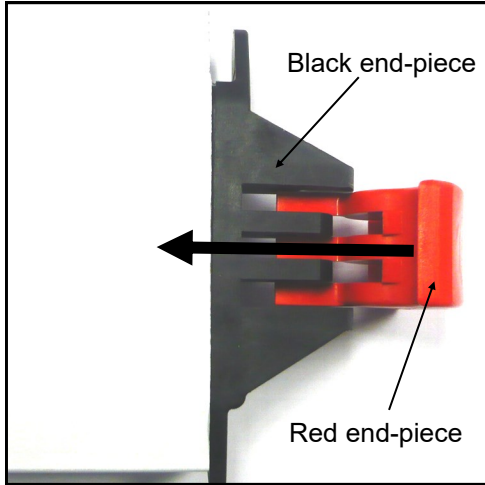
Installing the axle

 Refer to the axle manual provided in the accessory pack

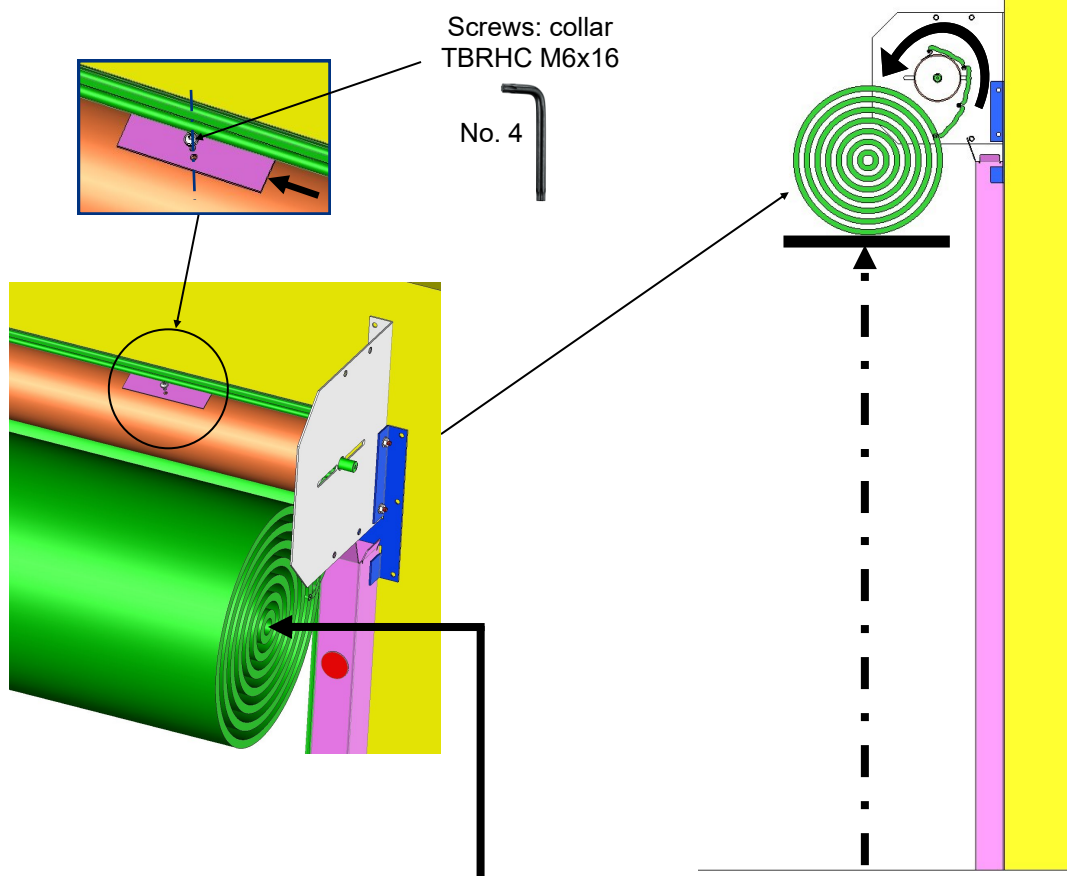


Assembling the shutter

! If choosing the Hurricane option: Install the red end-pieces on the slats with the black Hurricane end-pieces, before unrolling the shutter in the guiding rails.

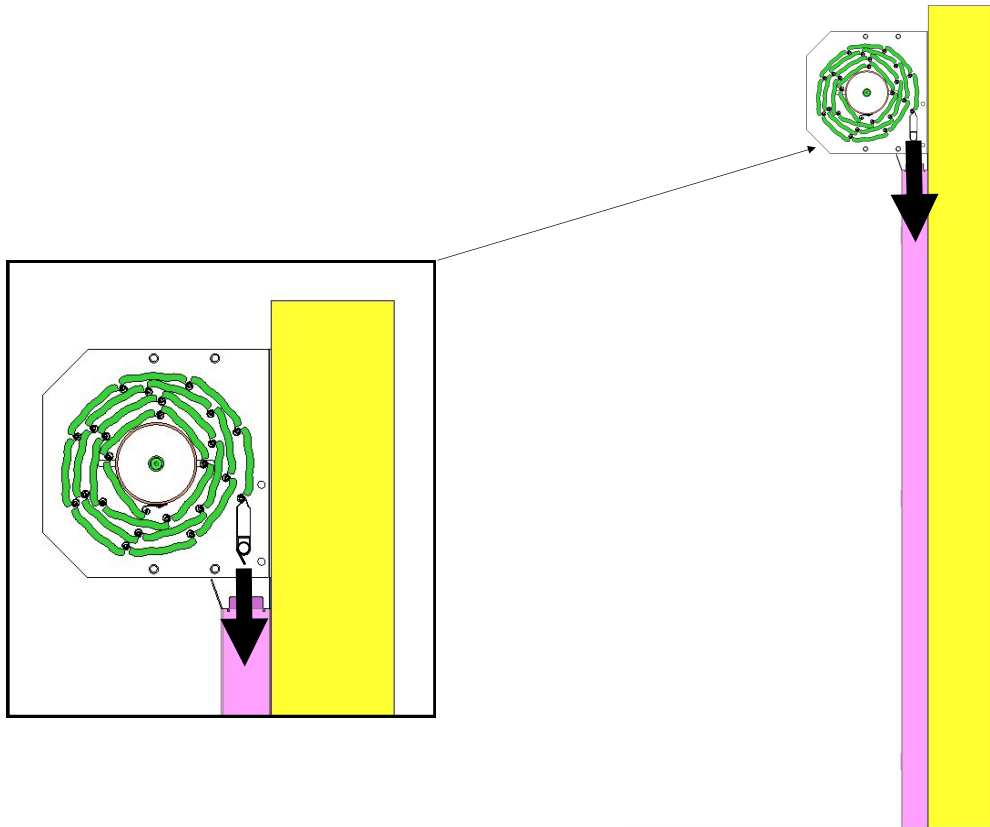


1

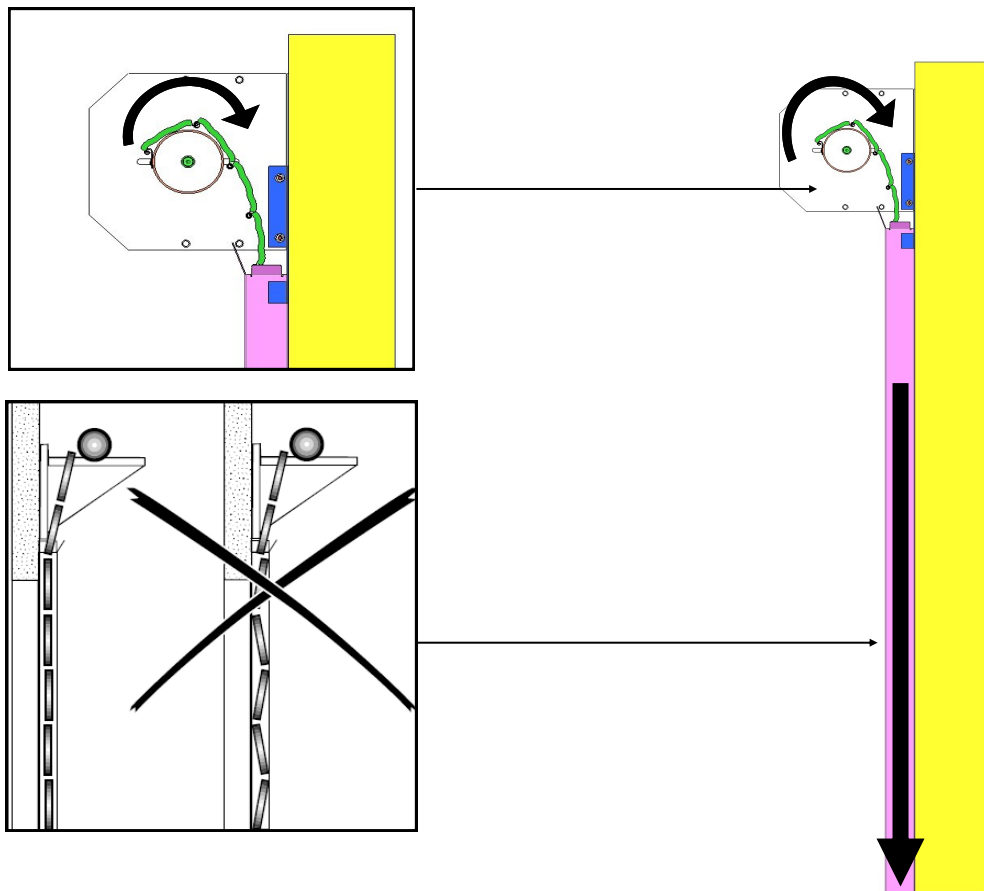


! Do not lift the shutter with a bar crossing over the center of the shutter:
 - Risk of damaging the slats.
 Always lift the shutter using its support.

2

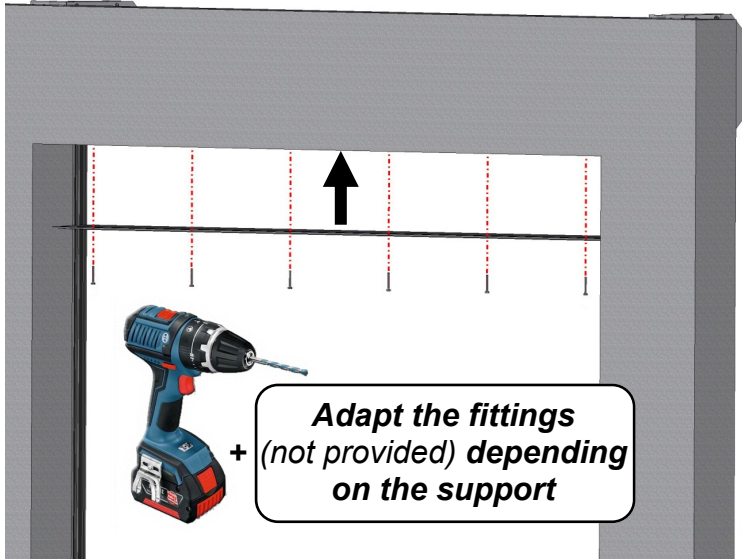


3

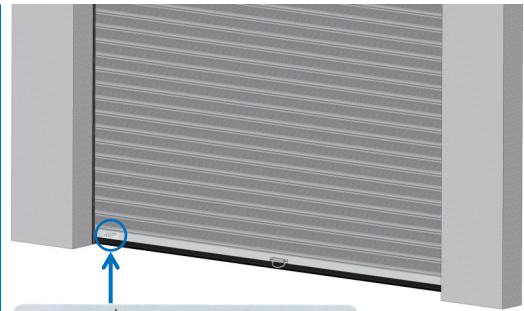


Finishes

Attach the brush seal under the header:



Adapt the fittings (not provided) depending on the support

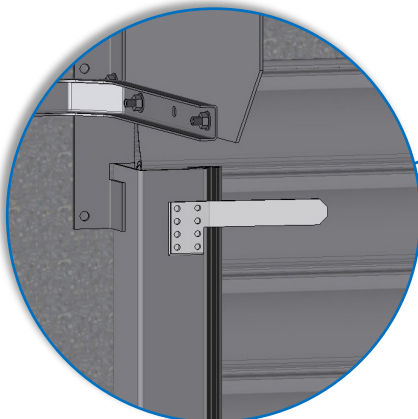


CE Label:

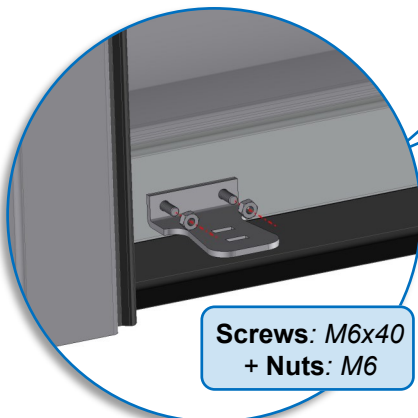
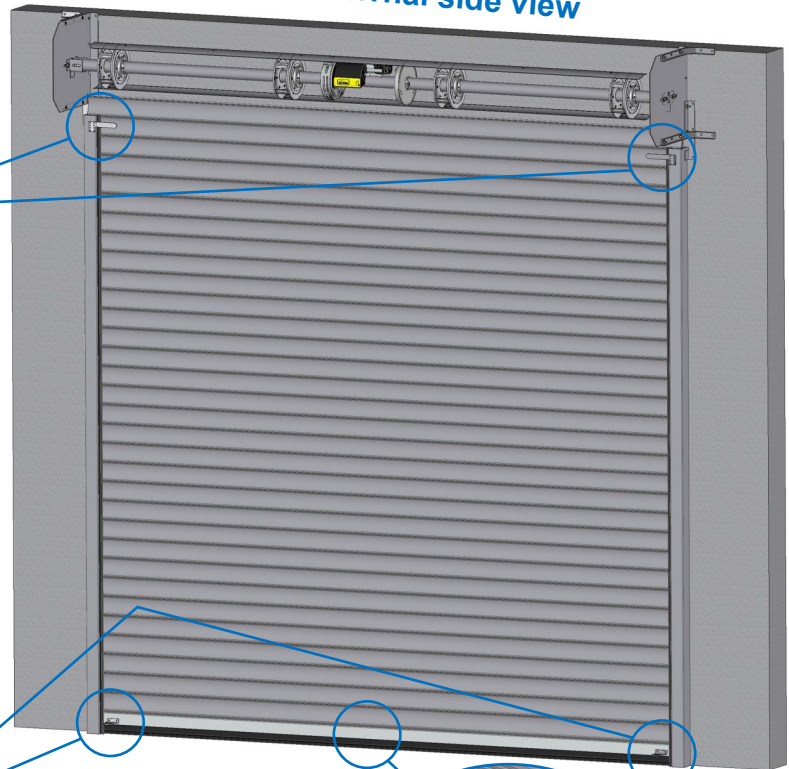
The CE label is provided in the accessory pack. Stick the label on to the end-slat, on the outer side.

If it has a spring loaded shaft:

Internal side view

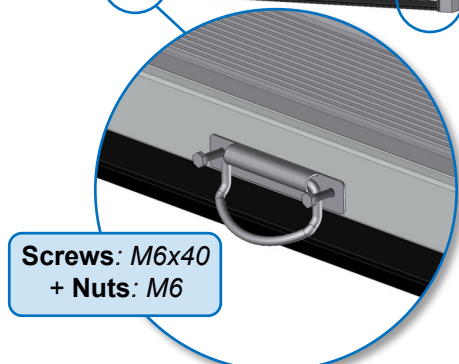


Weld the stops of the guiding rails



**Screws: M6x40
+ Nuts: M6**

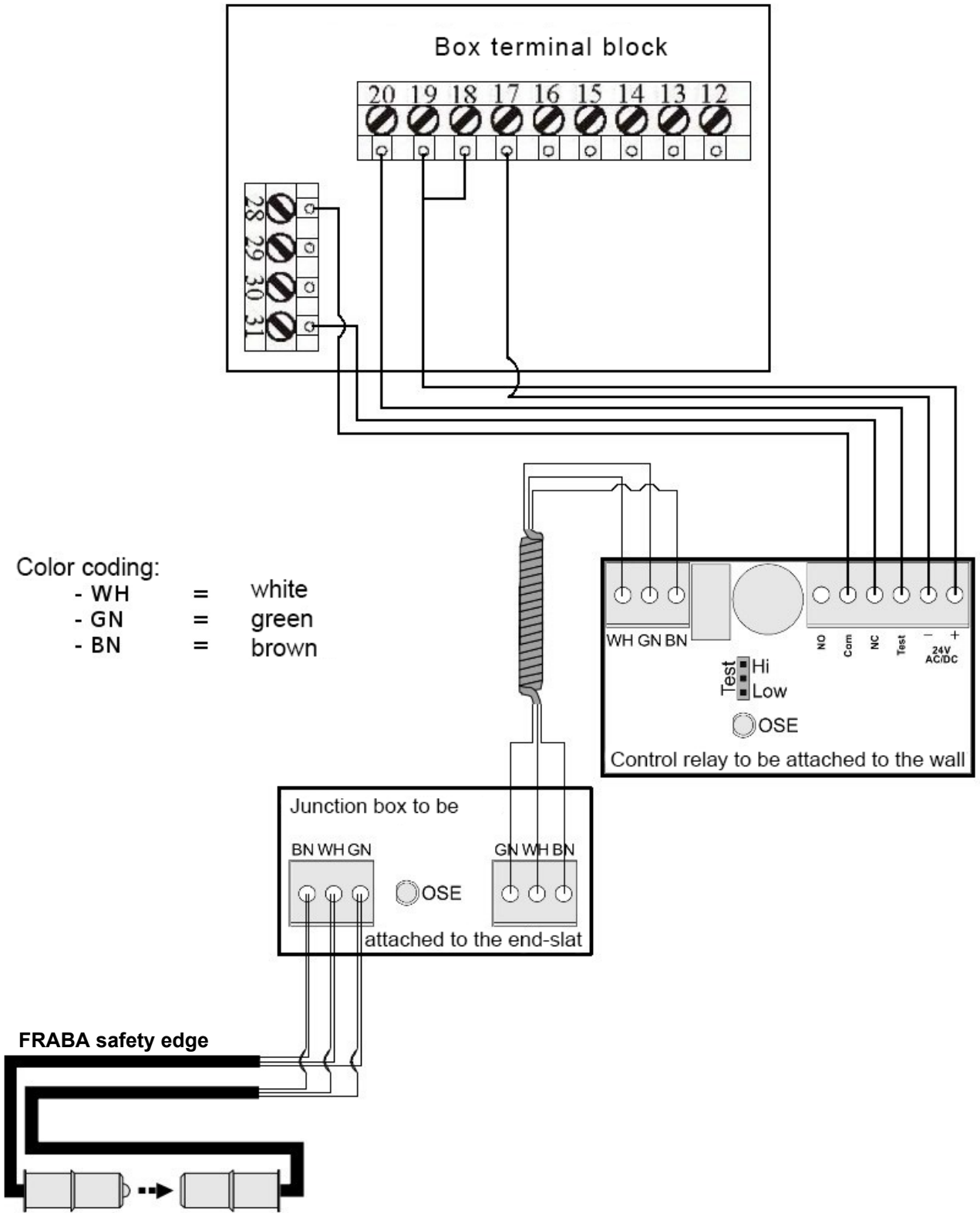
Screw in the lateral stops



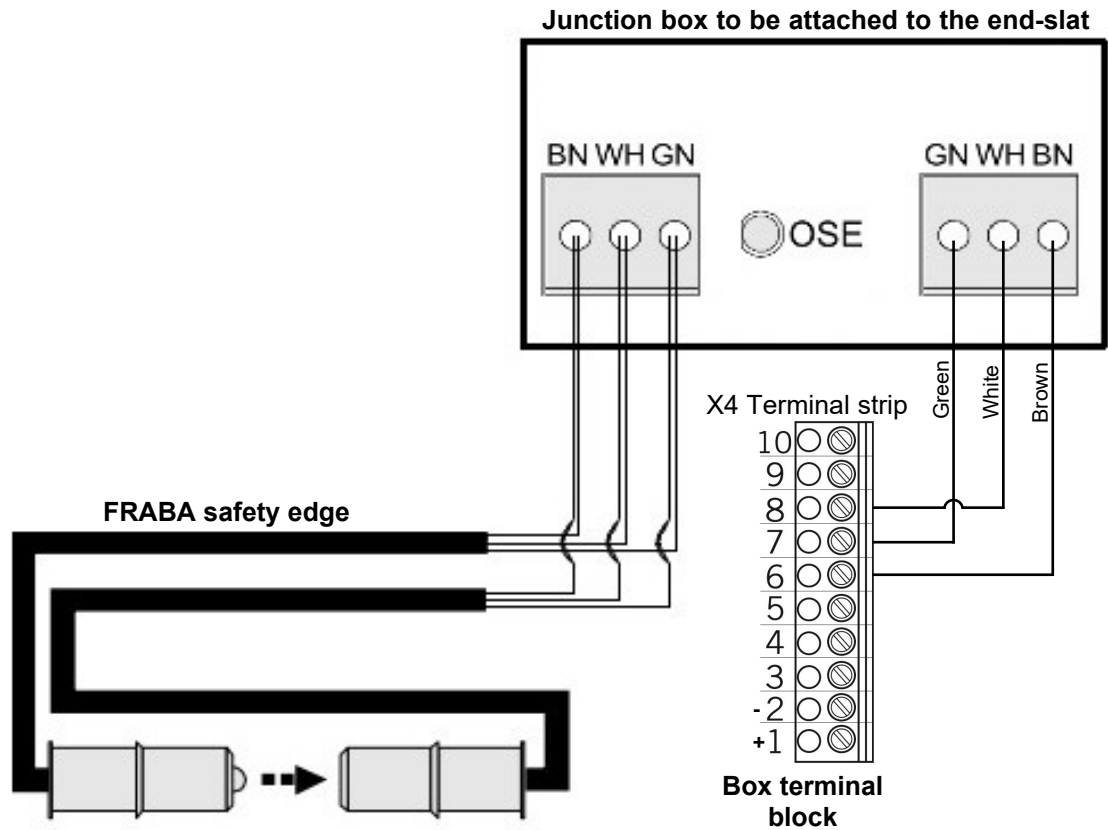
**Screws: M6x40
+ Nuts: M6**

Screw on the handle (outer side)

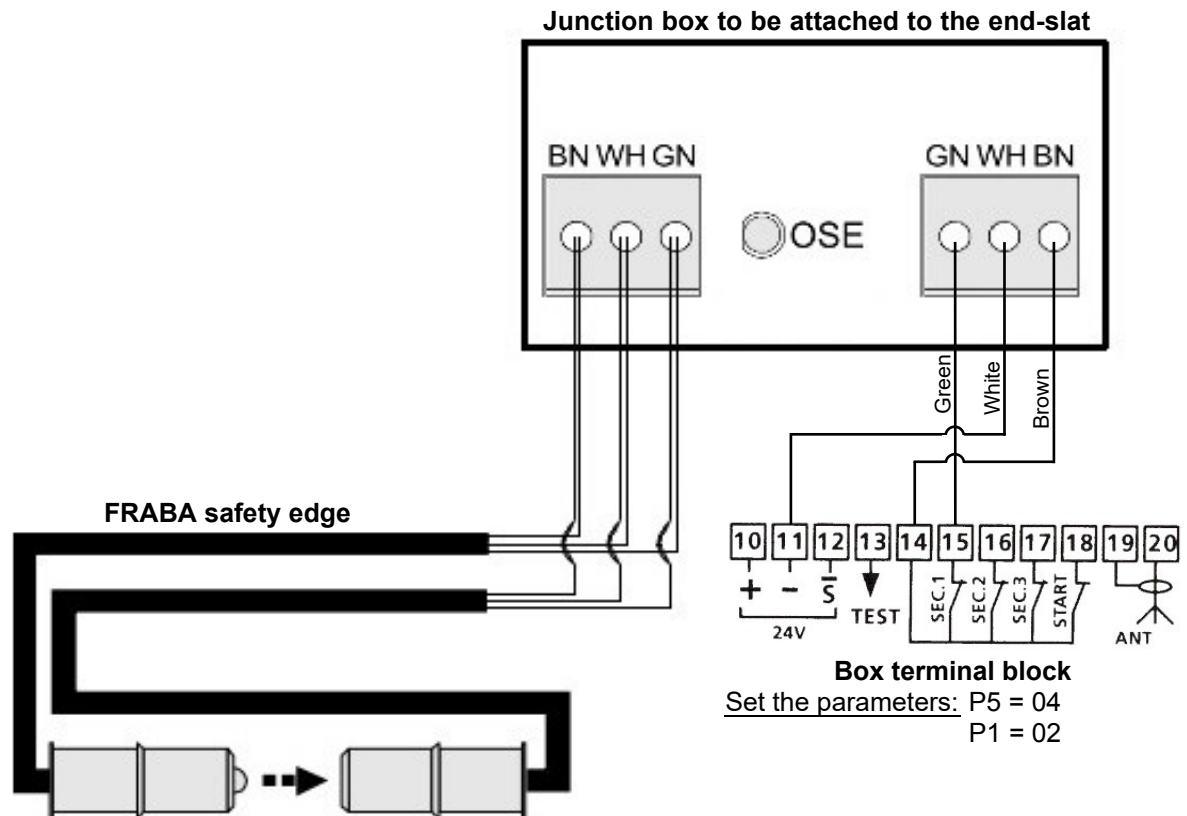
Connecting the safety edge to the PIC 4410 box



Connecting the safety edge to the CS 300/310 box



Connecting the safety edge to the Murax Villa 2 box



In case of an operating problem

If the shutter is crooked when moving up and down:

Check that the guiding rails are correctly aligned and that the axle is perfectly horizontal.

