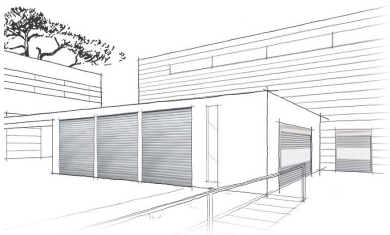


# Manual : N° 1960

# ATTACHMENT

## Murax P110 Shutters



### Steel hooks for hurricane guiding rails

Inner winding / Axle diameter = 133 mm

**EXTERIOR**

Corner piece = 50x25  
all the way up

Welding during installation

Guiding rail = 80x50x80

Welding during installation

MASONRY

Corner piece = 50x25  
all the way up

**INTERIOR**

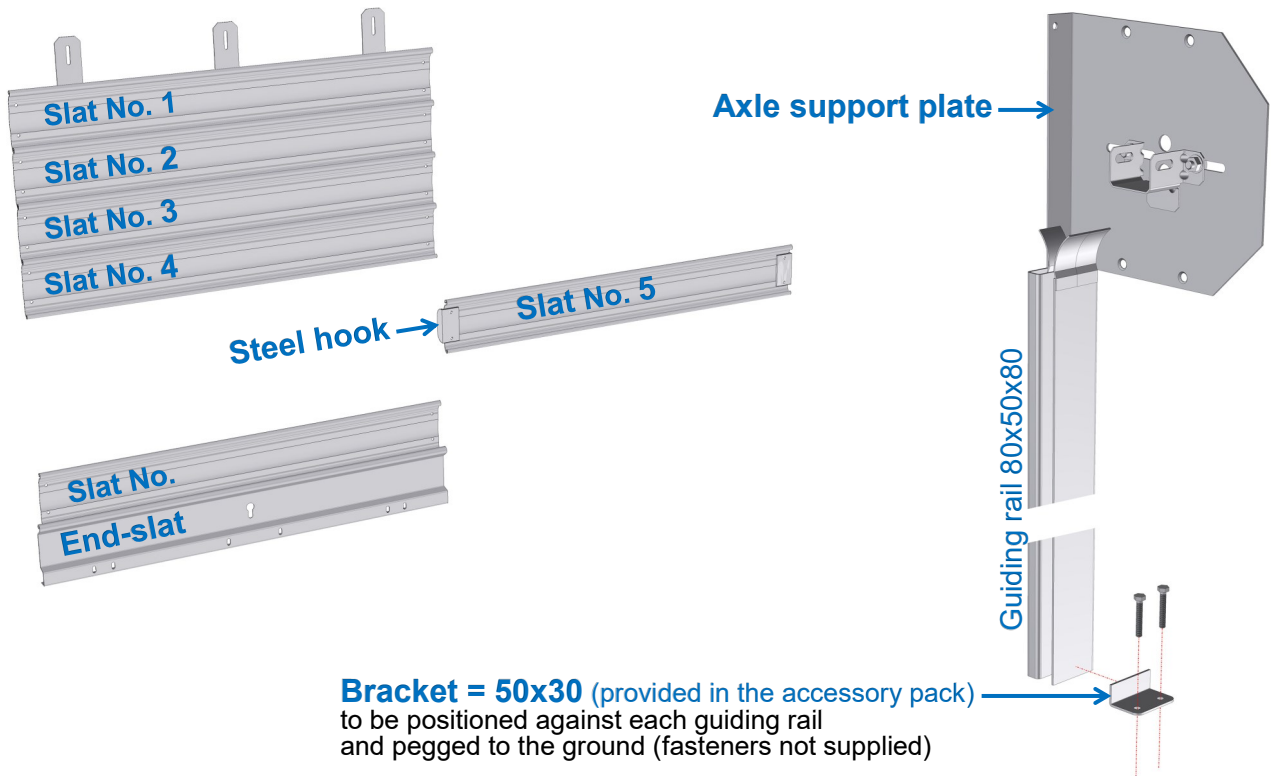


If the reinforced clamps are welded onto the guiding rail :  
The corner piece of 50x25 must be recut in order to fix it between  
the clamps .

(Document reserved for installers)



It is essential to follow the assembly order of the slats, starting from the winding axle (non-compliance will lead to incorrect functioning).



<p><b>No. of slats with steel hooks, for axle of Ø133 mm</b></p> <p>5 - 9 - 13 - 18 - 23 - 28 - 33 - 38 - 43 - 48 - 53 - 58 - 60 - 64 - 69 - 72 - 77</p>
--

## Clearance to be maintained for shutters equipped with steel hurricane hooks

**Important :** Slats with steel hooks must be arranged as per the order stipulated above. Non-compliance with the assembly order of slats will lead to incorrect functioning.

