

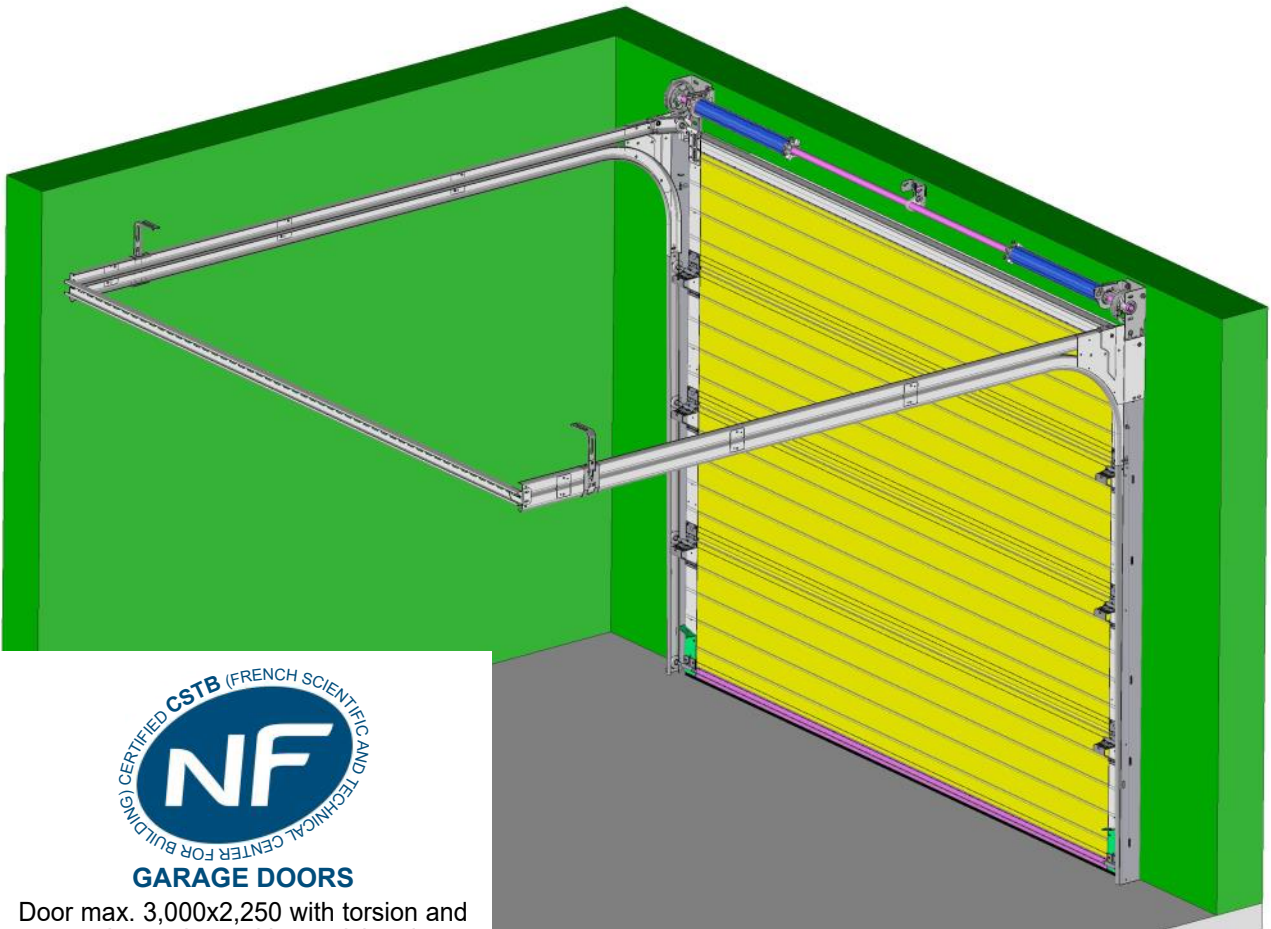
Installation manual

No. 7072

01/18

Residential garage doors

Overhead Discharge



Door max. 3,000x2,250 with torsion and extension springs without wicket door

(Document reserved for installers)

Contents

Equipment required for installationp.2

Installation instructionsp.3

Preparing the railsp.4

Installing the vertical rails and the balance line.....p.4

Installing the horizontal railsp.5

Installing the operator support and the header sealp.7

Assembling the shutterp.8

Installing the cablesp.9

Spring tensionp.10

Table for number of spring tension turnsp.11

Door settingsp.11

Door finishesp.12

Electric drive (Option)p.15

In case of incorrect manual functioningp.16

Equipment required for installation

- | | |
|---|---|
| <ul style="list-style-type: none"> - Ladders + 2 trestles - Clamps and locking pliers - Spirit level or laser level - Plumb bob - Cord - Tape measure (5M or 8M) - Hammer drill - Pins for screws (Ø6 max.) and concrete drill bits - Hammer - Hacksaw - Universal clamp | <ul style="list-style-type: none"> - Steel drill bits: Ø4.2 mm, 5 mm, 10 mm, max. length 30mm - Electric screwdriver with torque limiter equipped with Torx end-piece of 30 mm - Flat wrenches: 10 mm, 13 mm, 15 mm and 17 mm - Socket wrenches: 10 mm, 13 mm, 15 mm and 17 mm - Screwdriver - Angle grinder - Lubricant spray - Grease and brush - Can of oil - Silicone sealant |
|---|---|

Installation instructions

CAUTION!



To ensure that this product is assembled, used and maintained in complete safety, it is important to follow the instructions provided in this document.



For everyone's safety, please observe the precautionary measures below.

- * Before beginning the assembly, read this manual carefully.
- * This closure must be installed by a professional technician.
- * All the parts delivered are specifically sized for this product. Adding and/or using other parts may be detrimental to safety and may affect the product's warranty.
- * Any modification or improvement of this closure must be compliant with the standard EN 13241 + A2.
In this case, a "modification/transformation" file must be created by the installer as per the standard EN 12635 annex C.
- * Considerable force is exerted by the torsion springs.
This work must therefore be carried out in accordance with the safety instructions.
Use the appropriate tools to install these products.
Ensure that the work is carried out on a stable floor.
- * Ensure that the assembly area is adequately lit, clear, clean and clearly marked out.
- * Ensure that no other people are present at the assembly site apart from the installers.
Non-authorized persons (children for example!) who are present at the site risk injury during assembly.
- * All the components of this closure must be installed in compliance with the installation instructions provided in this manual.
- * All the requirements of the standards EN 13241 + A2 must be met and verified if necessary.

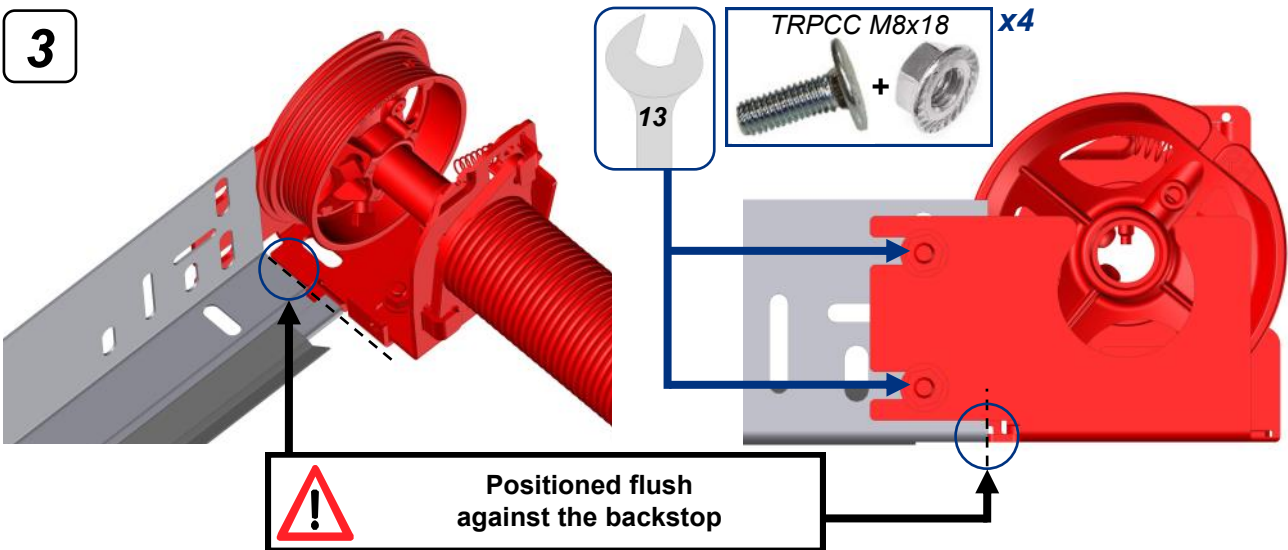
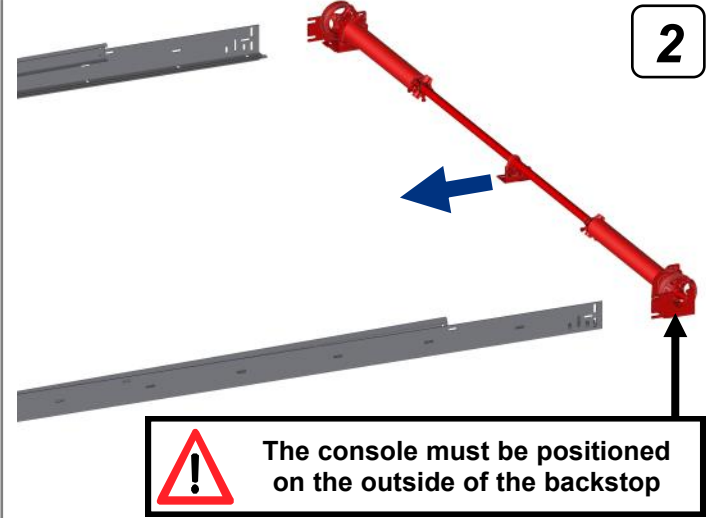
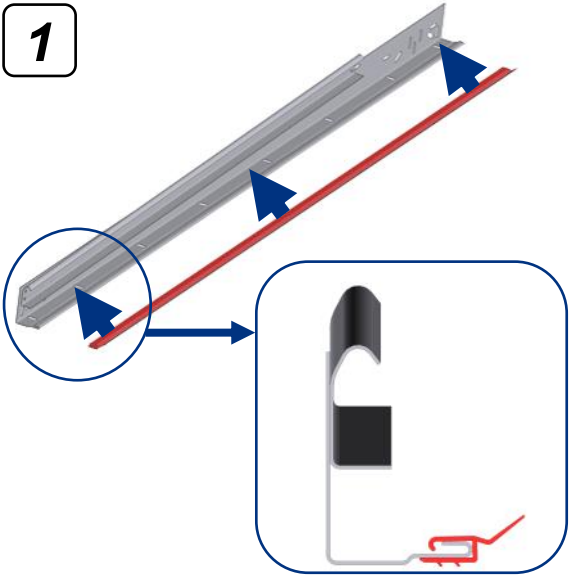
Max. locking torque:

- Assembly screw: **10 Nm**
- Shutter assembly screw: **12 Nm**

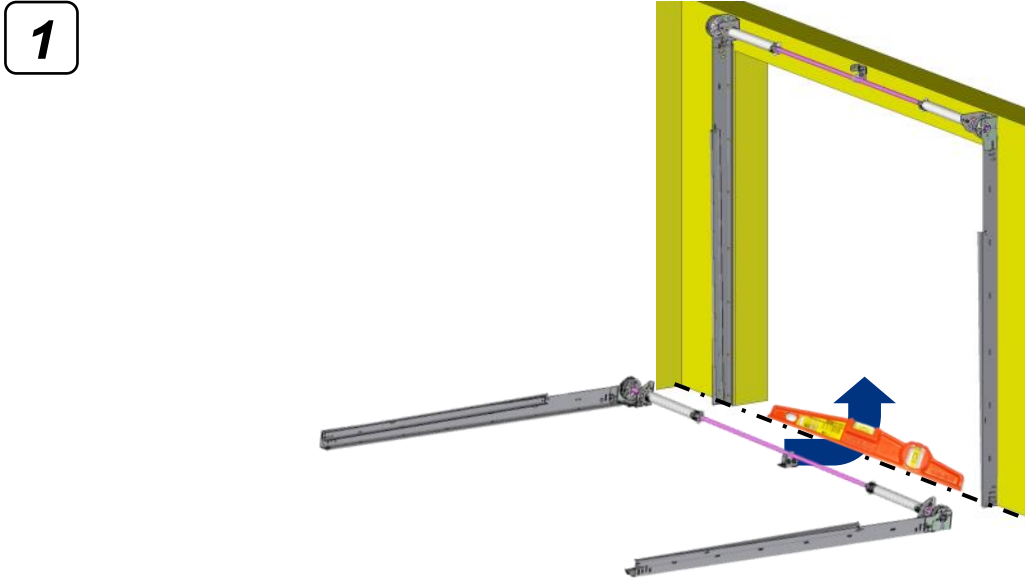
Min. working load per attachment point:

- Compensating shaft: **300 daN**
- Rails: **40 daN**

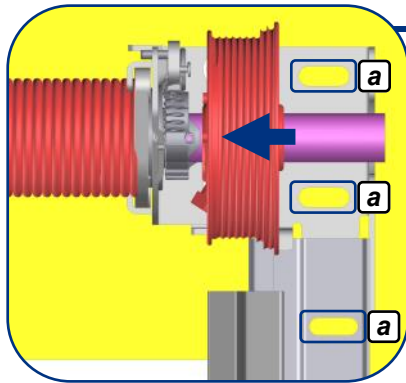
Preparing the rails



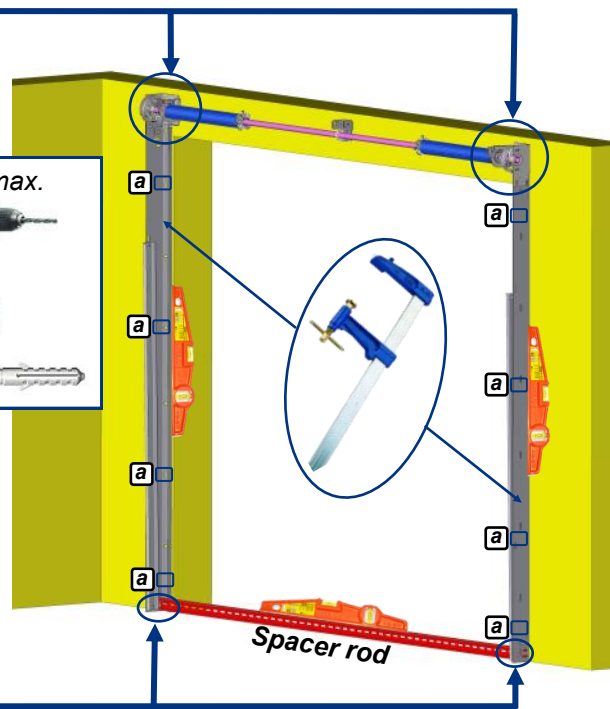
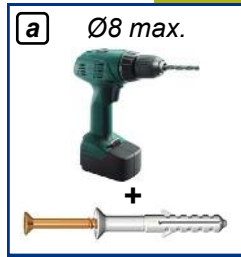
Installing the vertical rails and the balance line



2

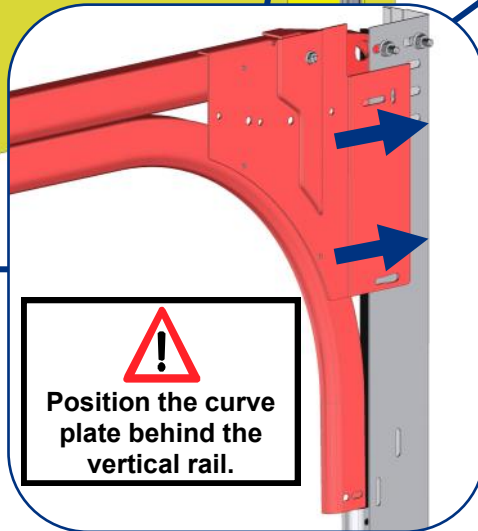
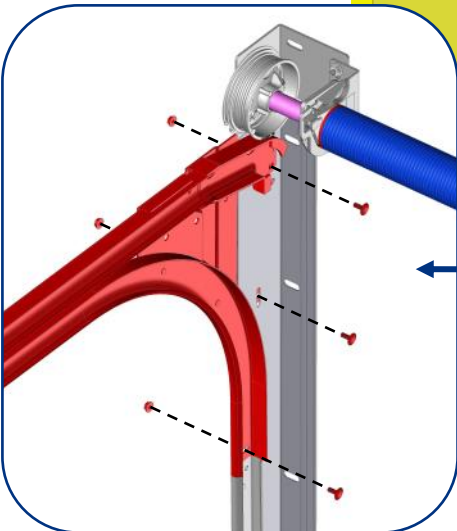
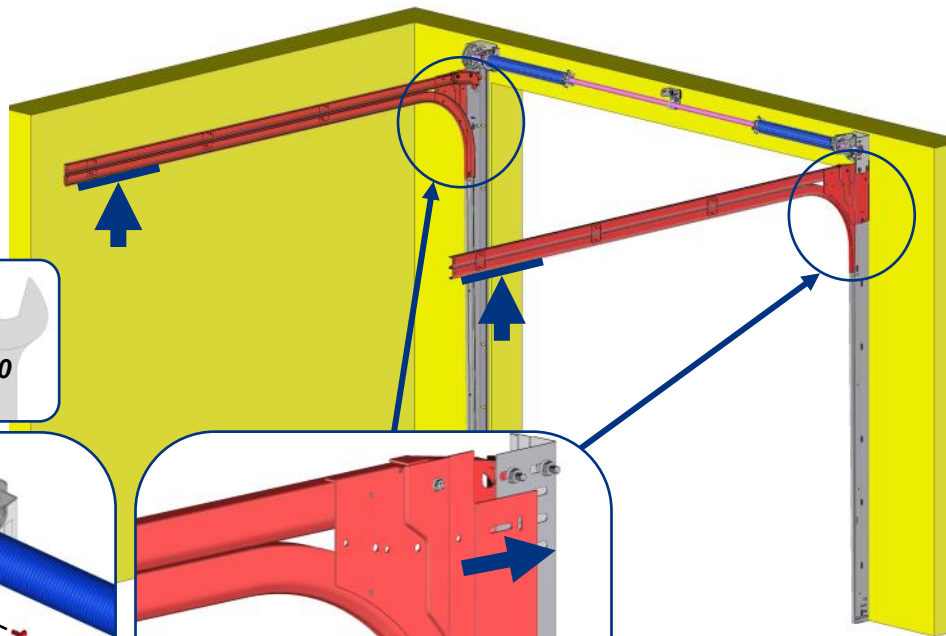


Unscrew and push the reel

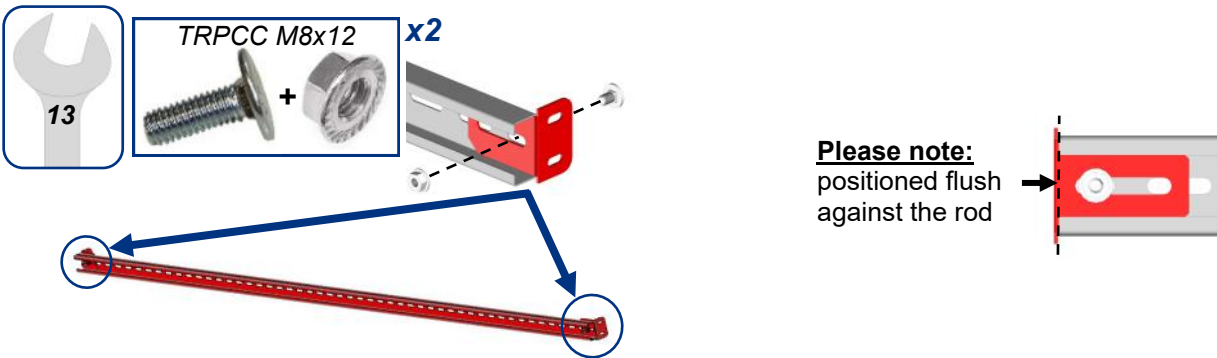


Installing the horizontal rails

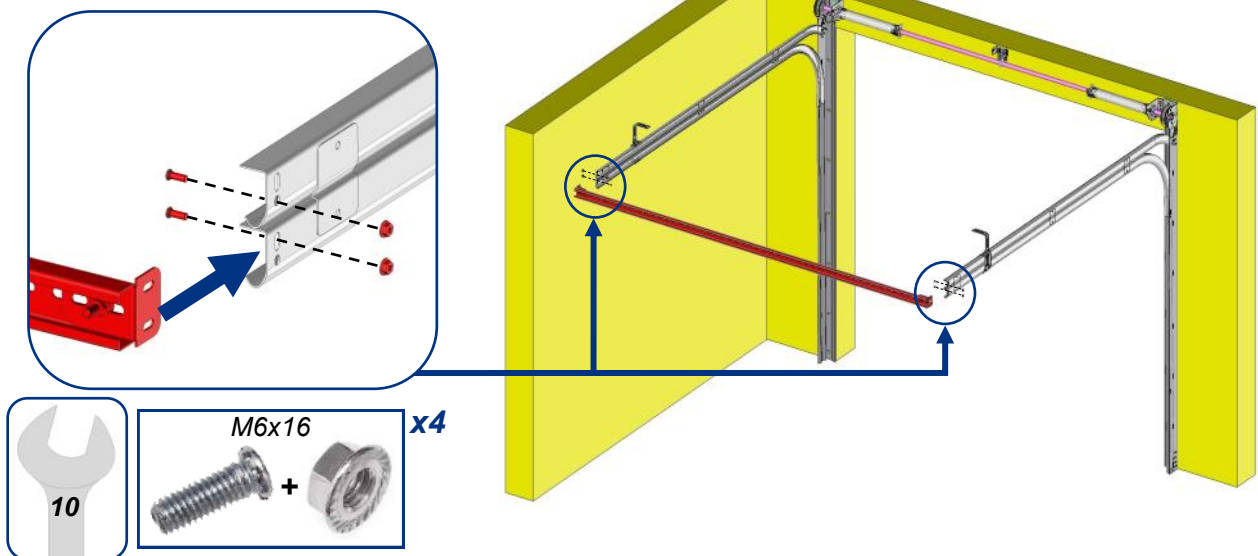
1



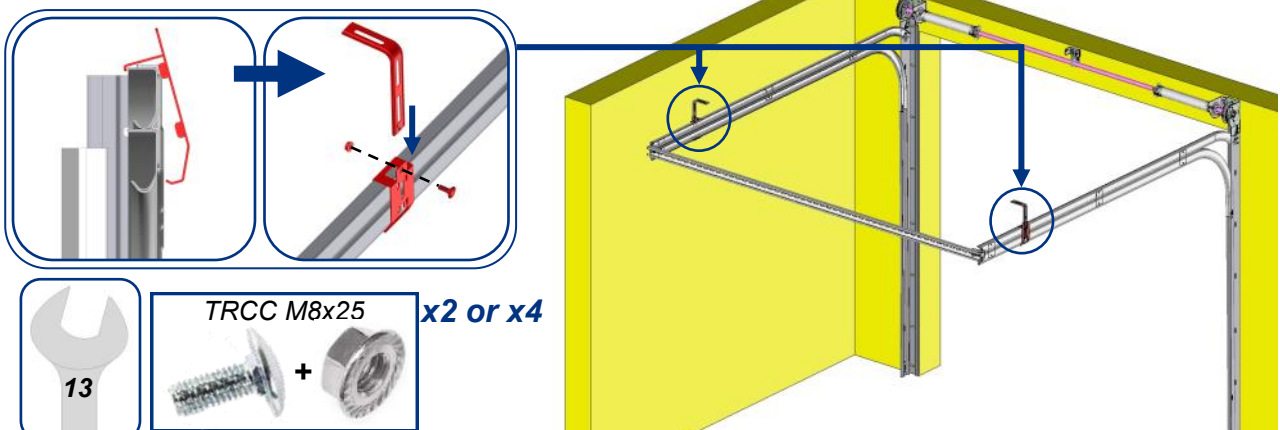
2 Assembling the spacer rod



3 Installing the spacer rod



4 Installing the hangers



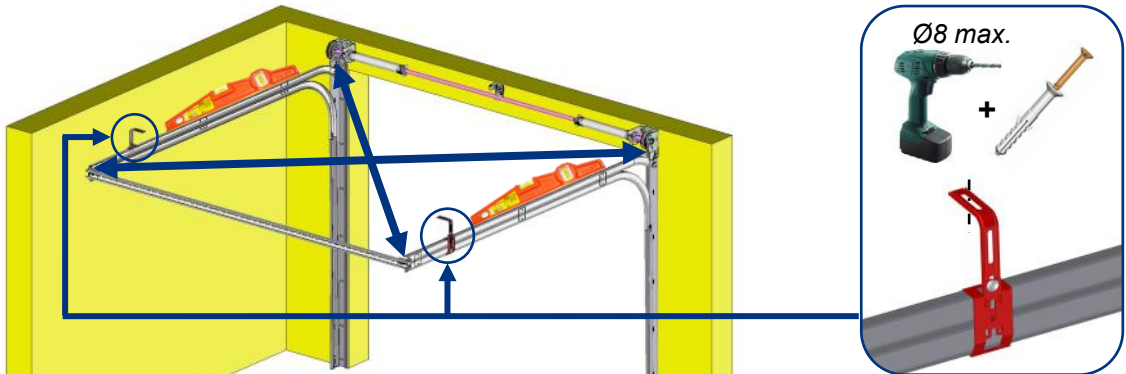
The number of hangers depends on the dimensions of the doors:

- 2 hangers for a door of 3,000 x 2,150 mm max.
- 4 hangers above these dimensions.

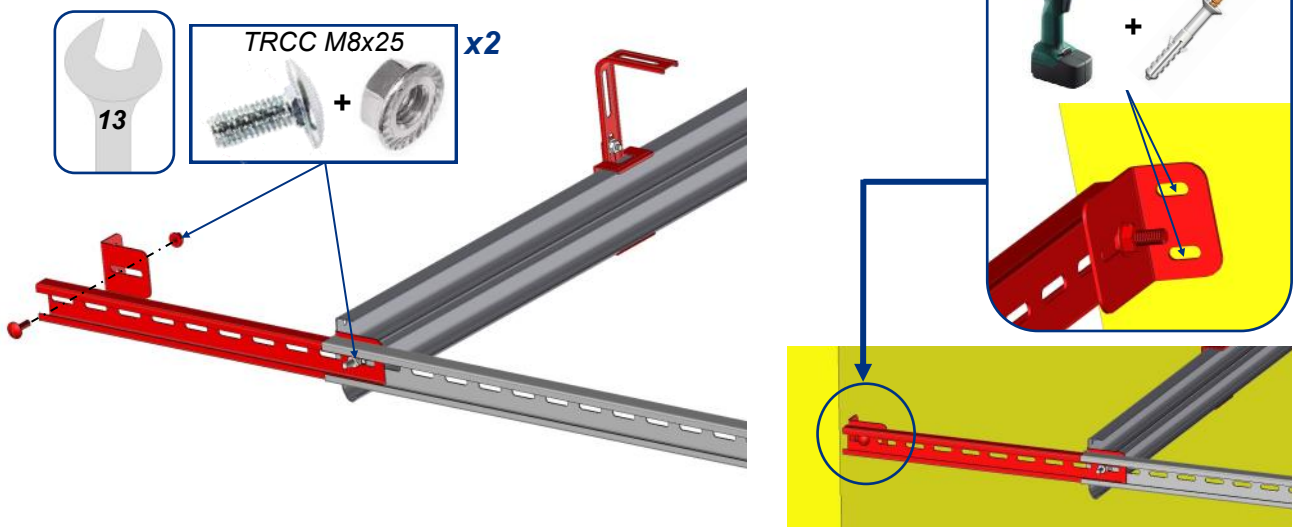
Please note:

- If OH (Overhead height) \leq 245 mm: Hanger dimensions = 180 mm.
- If 245 mm $<$ OH \leq 440 mm: Hanger dimensions = 380 mm.

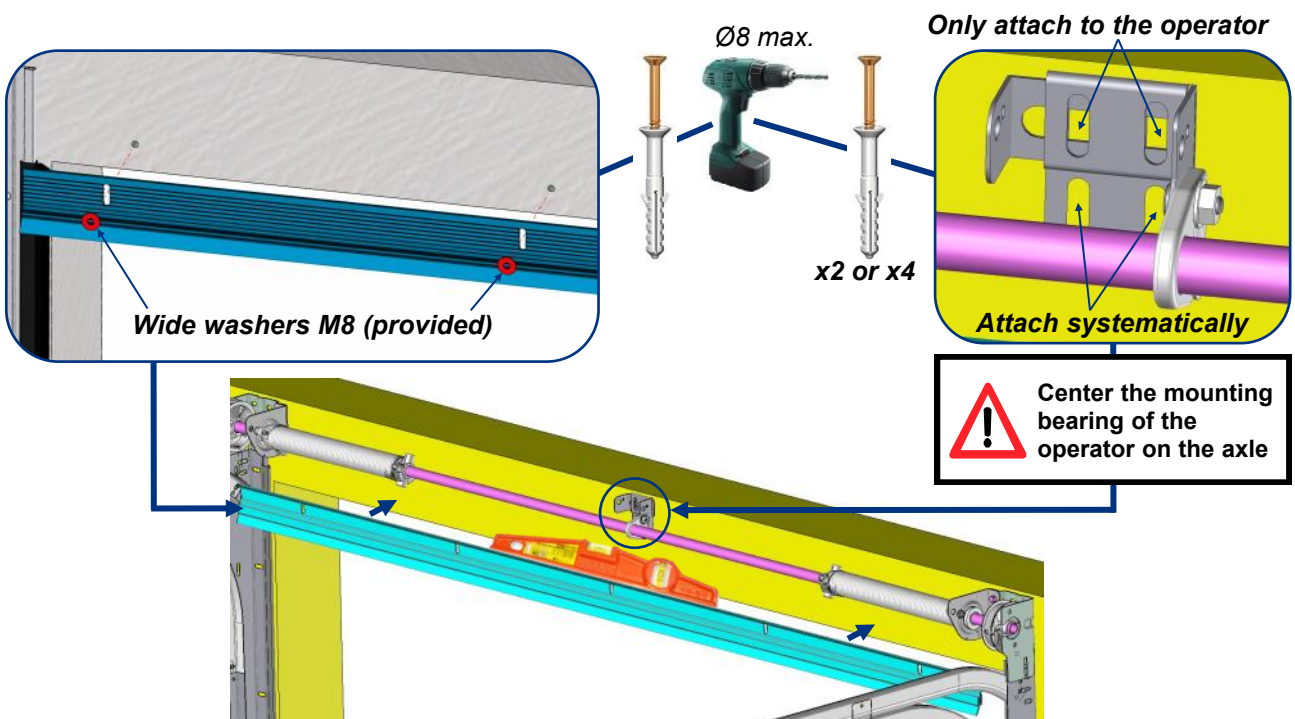
5 Checking the diagonals and attaching the hangers to the ceiling



6 OPTION: Rod extension (option)



Installing the operator support and the header seal



Assembling the shutter

Bottom panel

Warning: For a door where PW (Passage width) $\leq 2,600\text{mm}$, there is no central hinge.

Screws: Self-drilling TB Torx 6.3x25

13

Torx 30 key

As an option

Short tandem

Screws: Self-drilling TB Torx 6.3x25

As standard

Screws: Self-drilling TB Torx 6.3x25

Top view

Bottom panel

48 mm

Sleeve: Thickness 10 mm

Sleeve: Thickness 5 mm

Screws: Self-drilling TB Torx 6.3x25

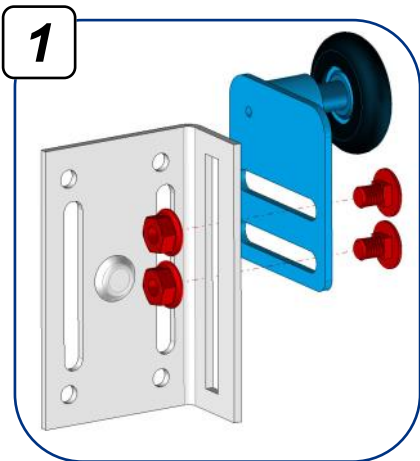
Intermediate panels

Screws: Self-drilling TB Torx 6.3x25

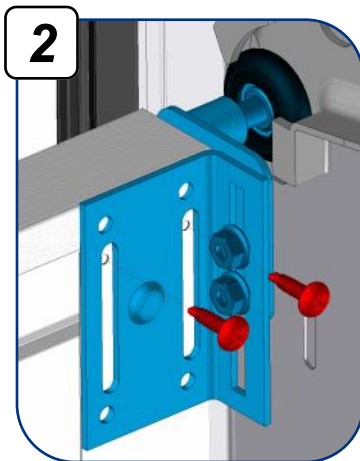
Torx 30 key

Screws: Self-drilling TB Torx 6.3x25

Top panel



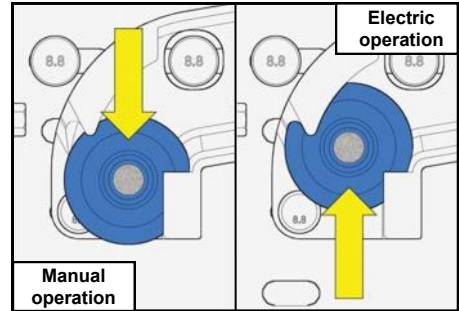
**Screws: TRPCC M8x18
+ Nuts: M8**



**Screws: Self-drilling
TB Torx 6.3x25**

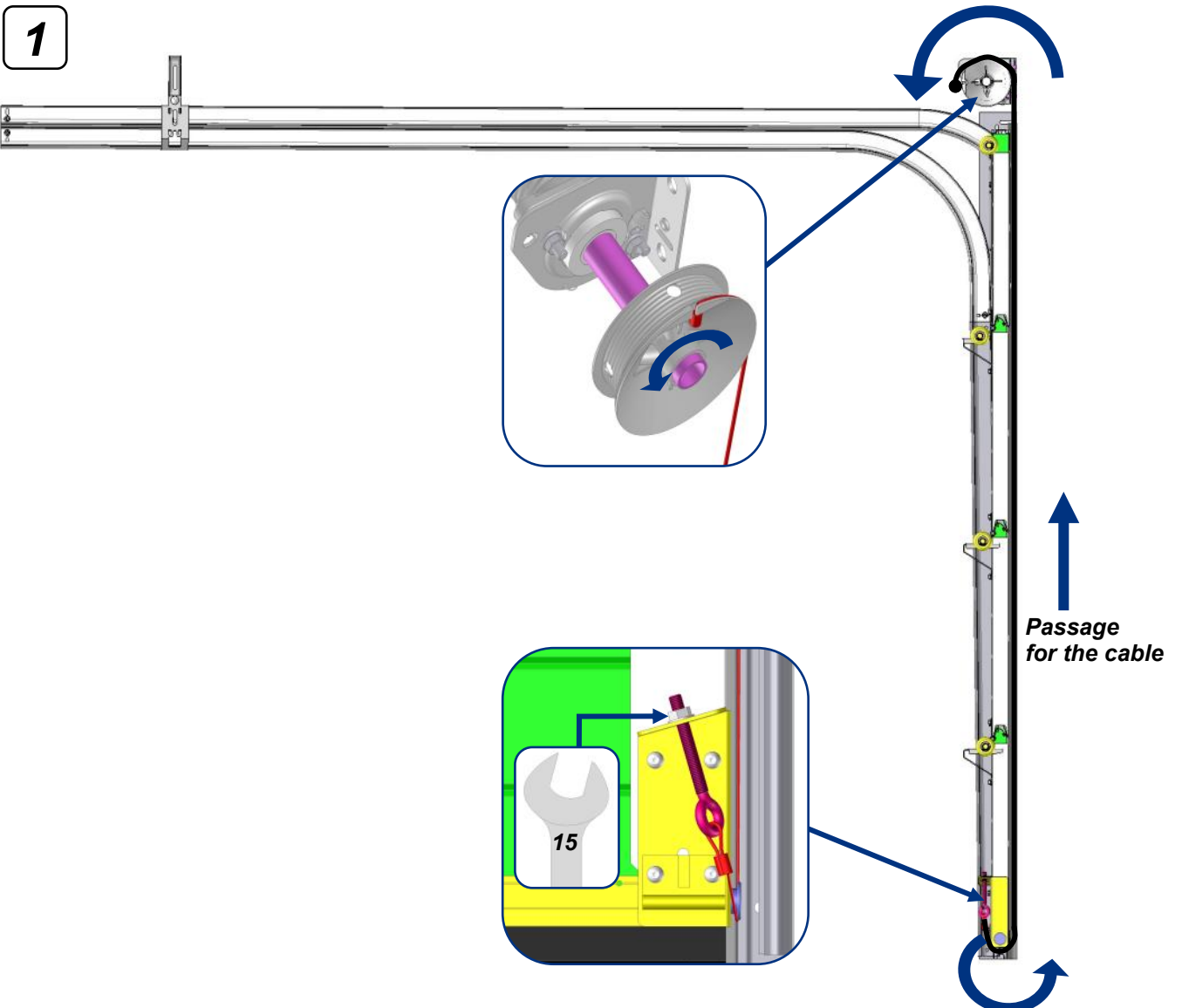


Position of the top roller guide



Repeat the process on the opposite side

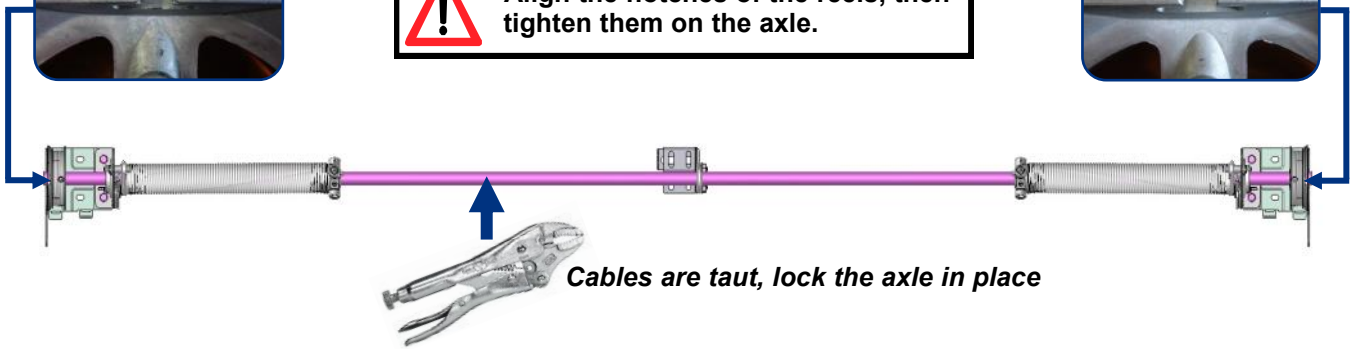
Installing the cables



2

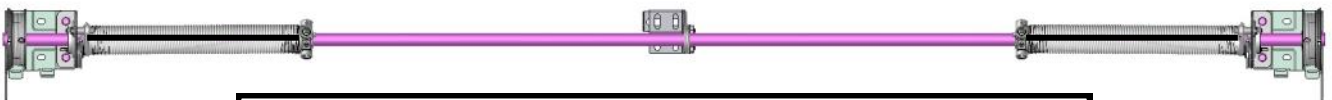
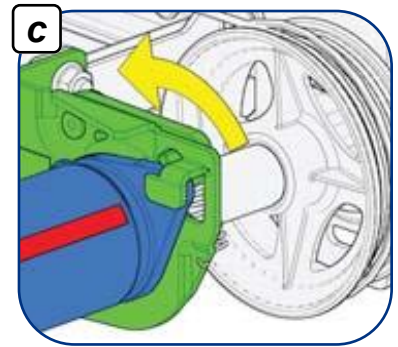
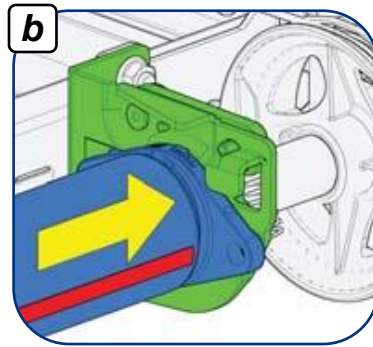
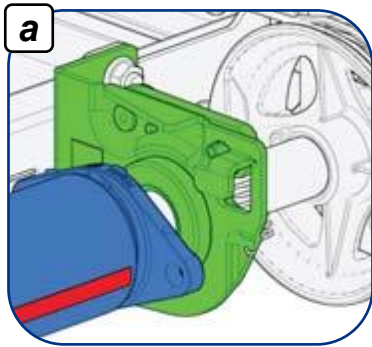


! Align the notches of the reels, then tighten them on the axle.

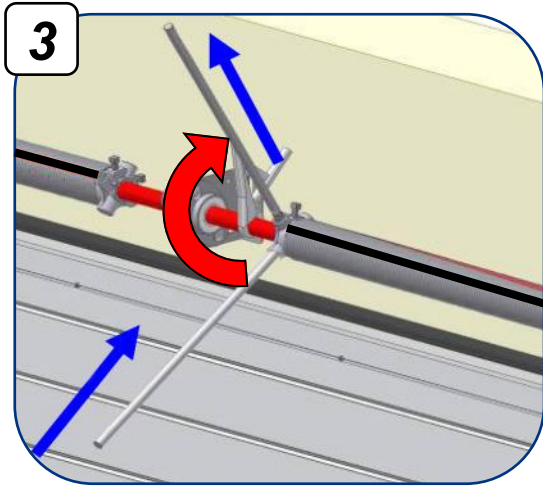
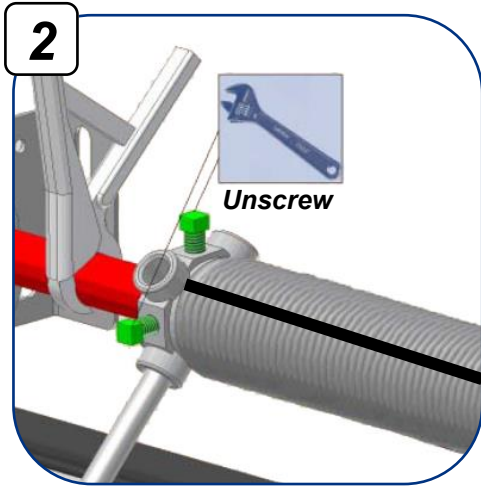


Spring tension

1 Locking the spring in place



! Tighten the bottom springs towards the top, in accordance with the number of turns displayed on the label stuck to the axle.



Example: Number of turns: 6 5 4 3 2 1

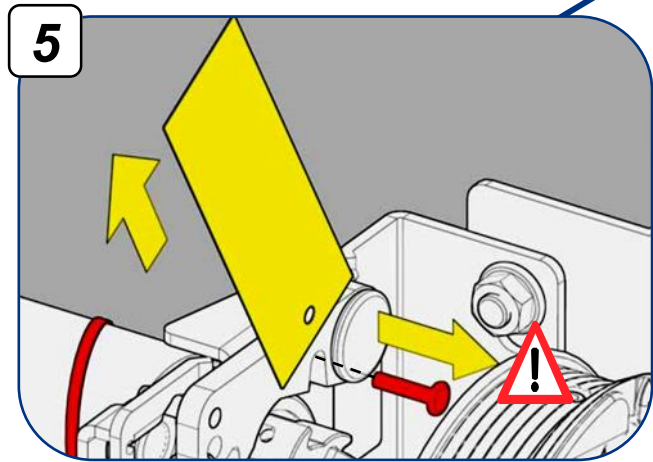
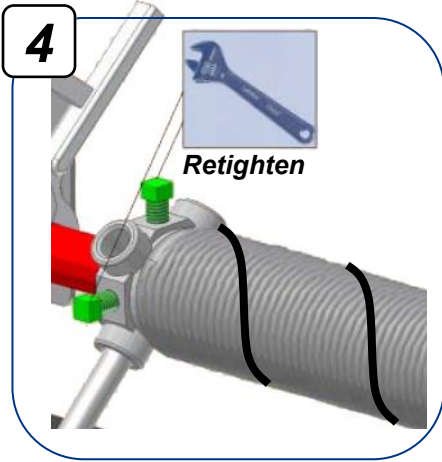
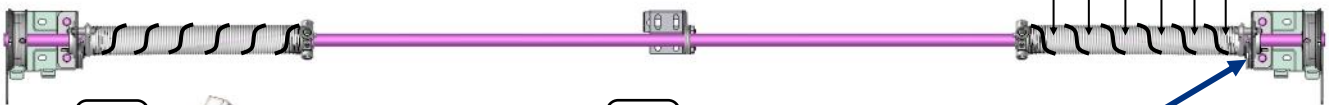


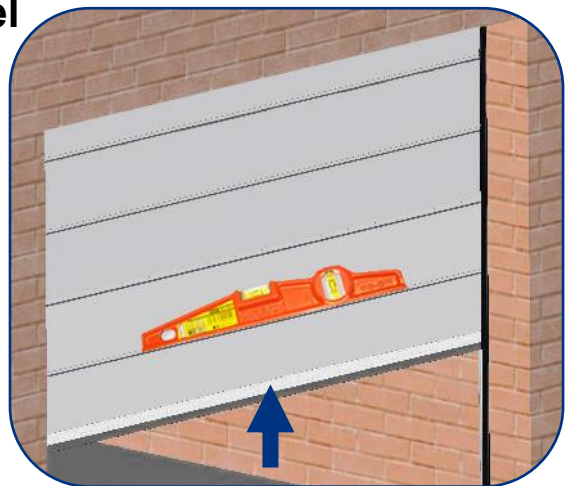
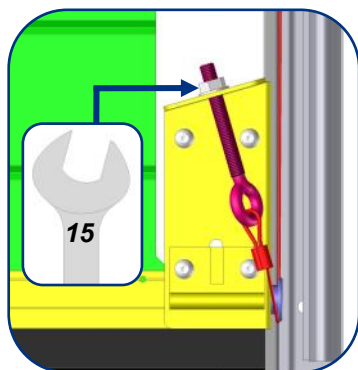
Table for number of spring tension turns

Passage height (in mm)	Number of tension turns
≤ 1820	6
From 1,821 to 1,998	6.5
From 1,999 to 2,209	7
From 2,210 to 2,347	7.5
From 2,348 to 2,519	8
From 2,520 to 2,714	8.5
From 2,715 to 2,885	9
From 2,886 to 3,000	9.5


Adjust the settings if necessary

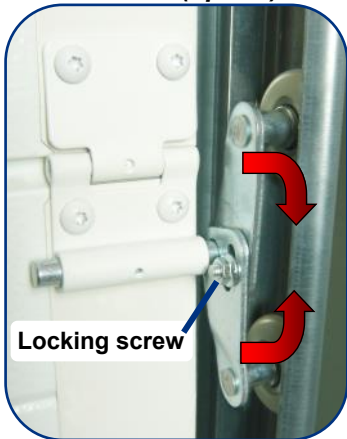
Door settings

1 Adjustment of horizontal level

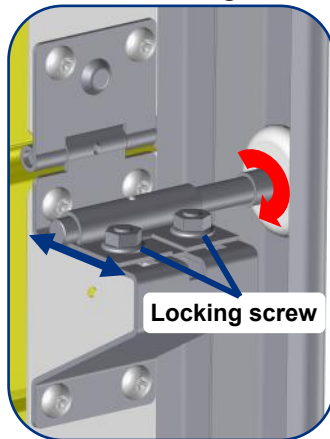


2 Adjusting the roller guides

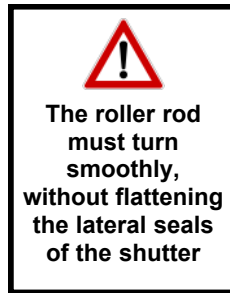
Tandem (option)



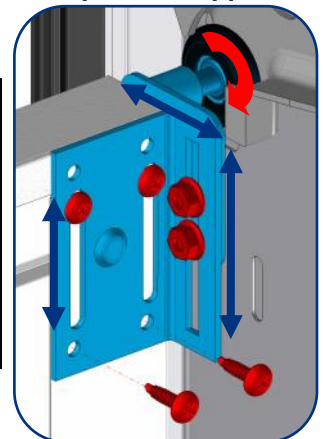
Lateral hinge



or



Top roller support

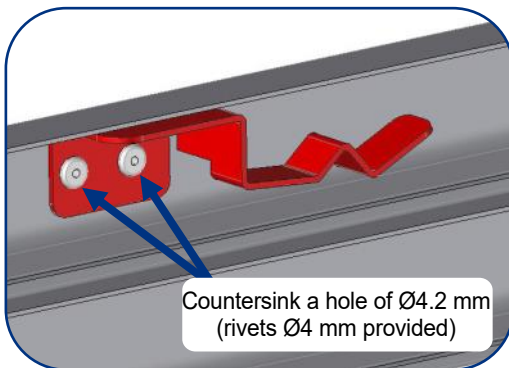


After adjustment, insert the screws: Self-drilling TB Torx 6.2x25

Door finishes

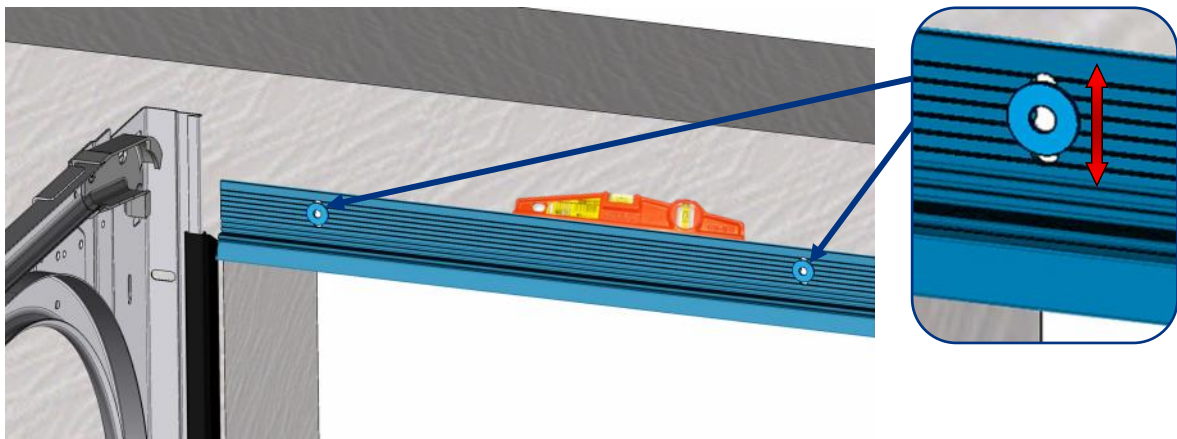
1 Attach the end position clips

If door with manual operation

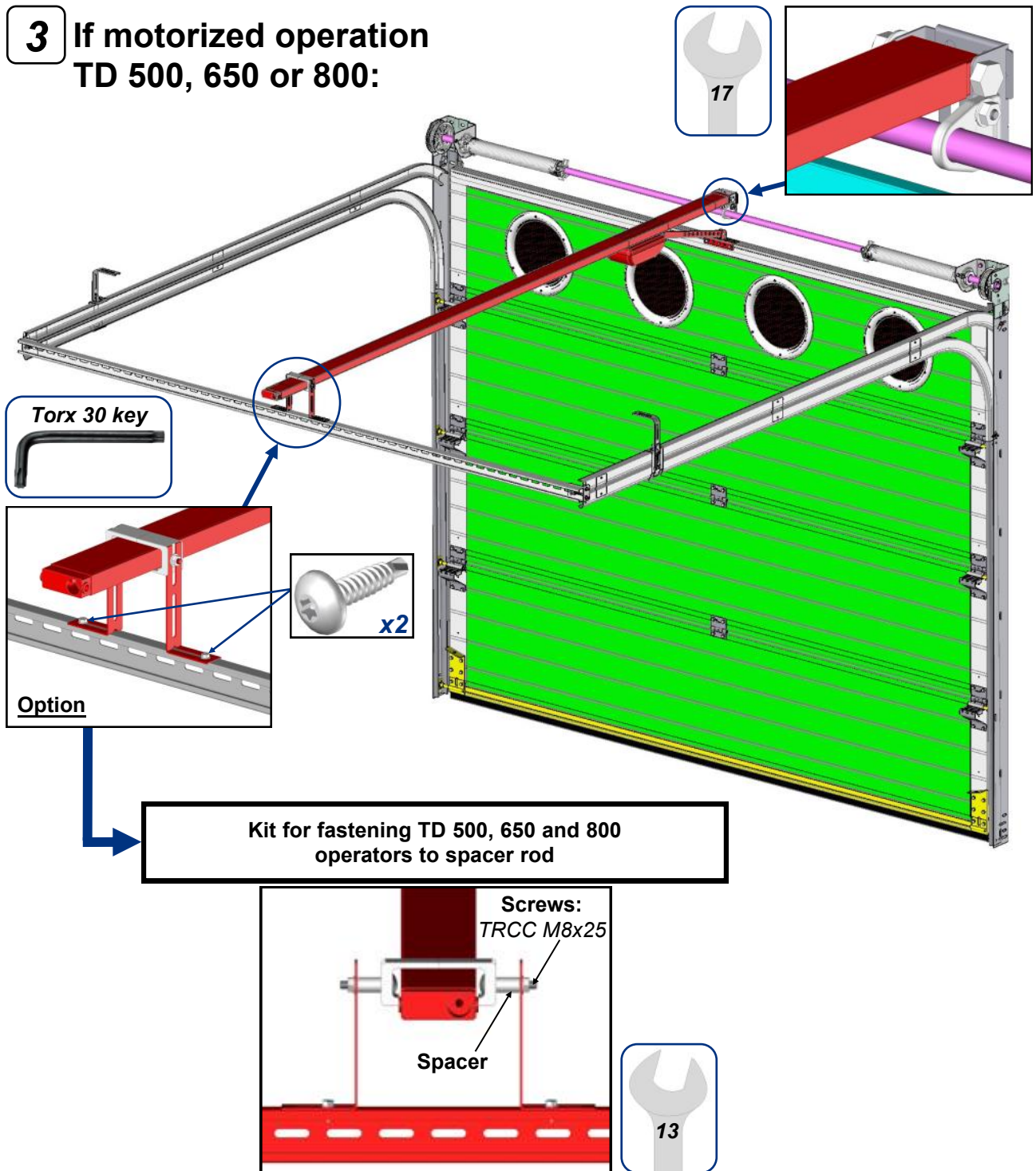


Repeat the process on the opposite side

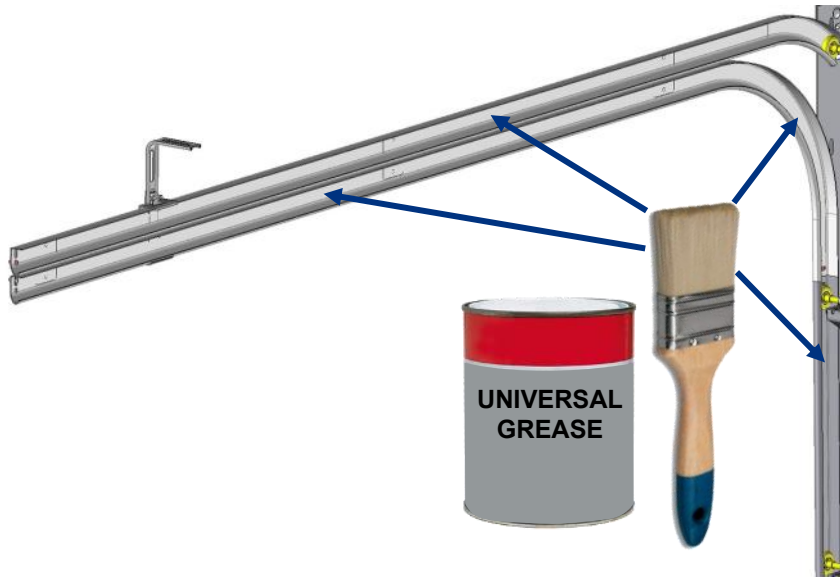
2 Adjust the seal on the header



3 If motorized operation
TD 500, 650 or 800:



4 Grease the bottom of the rails



5 Install the handle and the latch

Option

Rubber threshold section, to be stuck to the floor between the rails.
(Refer to manual: Rubber threshold)

1st intermediate panel

$\varnothing 4.2$: Inner side
+ Insert screw: Self-drilling TB Torx 6.3x25

or

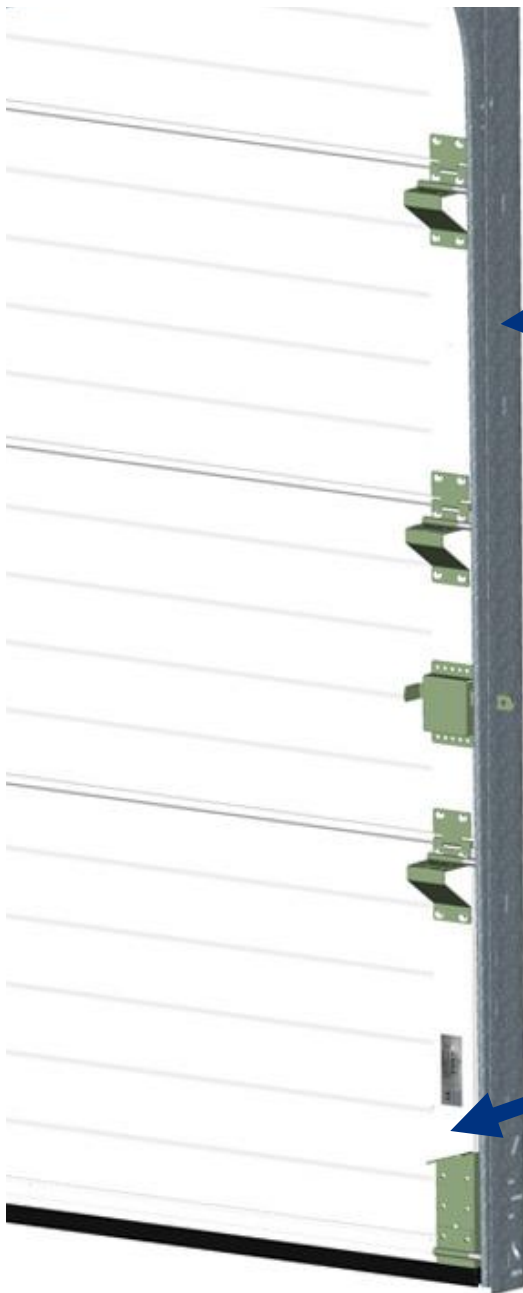
If deluxe kit

Drill a hole in the rail for the latch to pass through

$\varnothing 5$ Inner side
 $\varnothing 10$ Outer side

Screws: Pozidriv 5x60

6 Install the pull cord (for manual doors only)



Ø6.5 mm



+ Screws: TH M6x16
+ Nuts: M6



On the rail



On the bottom panel



Torx 30 key

Screws: Self-drilling
TB Torx 6.3x25

Electric drive (Option)

To install the operator, refer to the TD operator manual provided.

In case of incorrect manual functioning

- Check that the vertical rails are plumb and that there is a 48 mm gap from the edge of the panel.
- Check that the bottoms of the vertical rails are at the same horizontal level.
- Check that the horizontal rails are aligned in relation to the vertical rails and that there is a 48 mm gap from the edge of the panel.
- Check that the horizontal rails are perfectly aligned with each other, and that they are perpendicular to the header and are level.
- With the door raised to roughly 1.00 m height, check that the shutter is perfectly level.
- Check that the lateral seals have not been compressed and that the sealing of the shutter is even.

IMPORTANT: If the shutter is incorrectly adjusted and is flattened too tightly against the lateral seals, the door will not function correctly.

- Adjust the compensation setting by 1/4 turn on the springs. This will enable correct manual operation of the shutter.

PLEASE NOTE: Difference in tolerated tension between the springs = 1/2 turn.
After being operated several hundreds of times, it may be necessary to slightly retighten the springs.



If one or more of the anti-fall guards is blocked, contact a trained installer.